



US00D989372S

(12) **United States Design Patent** (10) **Patent No.:** **US D989,372 S**
Cheng (45) **Date of Patent:** **** Jun. 13, 2023**

(54) **LED LAMP**

FOREIGN PATENT DOCUMENTS

(71) Applicant: **Min Cheng**, Shenzhen (CN)

CN 306780873 * 8/2021

(72) Inventor: **Min Cheng**, Shenzhen (CN)

OTHER PUBLICATIONS

(**) Term: **15 Years**

Smaeti Desk Lamp. By Smaeti US. Dated Sep. 6, 2022. Found online [Feb. 7, 2023]. <https://www.amazon.com/Smaeti-Lamps-Office-Eye-Caring-Dimmable/dp/B0B938K7CZ> (Year: 2022).*

(21) Appl. No.: **29/882,087**

* cited by examiner

(22) Filed: **Jan. 10, 2023**

(51) **LOC (14) Cl.** **26-05**

Primary Examiner — Mark A Goodwin

(52) **U.S. Cl.**

Assistant Examiner — William B Melliar

USPC **D26/61**

(74) *Attorney, Agent, or Firm* — Daniel M. Cohn;

(58) **Field of Classification Search**

Howard M. Cohn

USPC D26/24, 51–52, 60–66, 93, 104–110

CPC F21S 6/003; F21S 6/002; F21S 6/00; F21S

(57) **CLAIM**

6/004; F21S 4/00; F21S 6/006; F21S

The ornamental design for a LED lamp, as shown and described.

6/008; F21V 21/26; F21V 21/30; F21V

33/0048; F21Y 2115/10; A47B 2220/0077

See application file for complete search history.

DESCRIPTION

(56) **References Cited**

FIG. 1 is a perspective view of a LED lamp showing my new design;

U.S. PATENT DOCUMENTS

FIG. 2 is another perspective view thereof;

D408,092 S * 4/1999 Schaak D26/62

FIG. 3 is a front elevational view thereof;

D522,681 S * 6/2006 Chen D26/65

FIG. 4 is a rear elevational view thereof;

D623,788 S * 9/2010 Huang D26/65

FIG. 5 is a left side elevational view thereof;

D665,938 S * 8/2012 Kim D26/63

FIG. 6 is a right side elevational view thereof;

D726,361 S * 4/2015 Rischau D26/107

FIG. 7 is a top plan view thereof;

D811,645 S * 2/2018 Kim D26/107

FIG. 8 is a bottom plan view thereof; and,

D823,529 S * 7/2018 Pernthaler D26/109

FIG. 9 is a perspective view of a LED lamp where the led lamp is in a configuration of use.

10,539,306 B1 * 1/2020 Hwang F21V 21/32

The broken lines in the drawings depict portions of the LED lamp that form no part of the claimed design.

D946,803 S * 3/2022 Pang D26/60

1 Claim, 9 Drawing Sheets

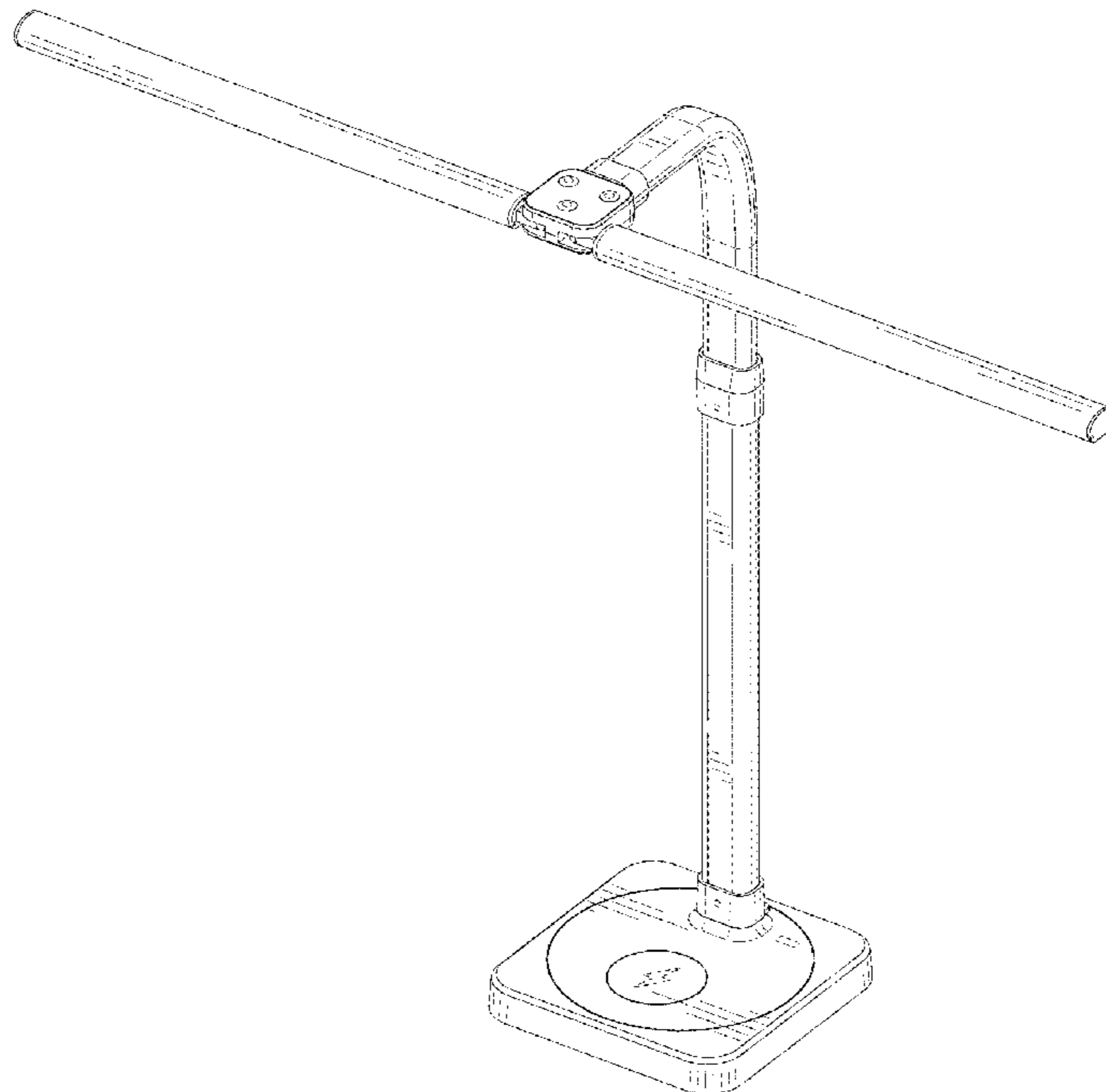
D961,147 S * 8/2022 Li D26/106

D965,188 S * 9/2022 Liu D26/61

D967,483 S * 10/2022 Wu D26/62

D973,946 S 12/2022 Feng

D974,619 S * 1/2023 Wang D26/51



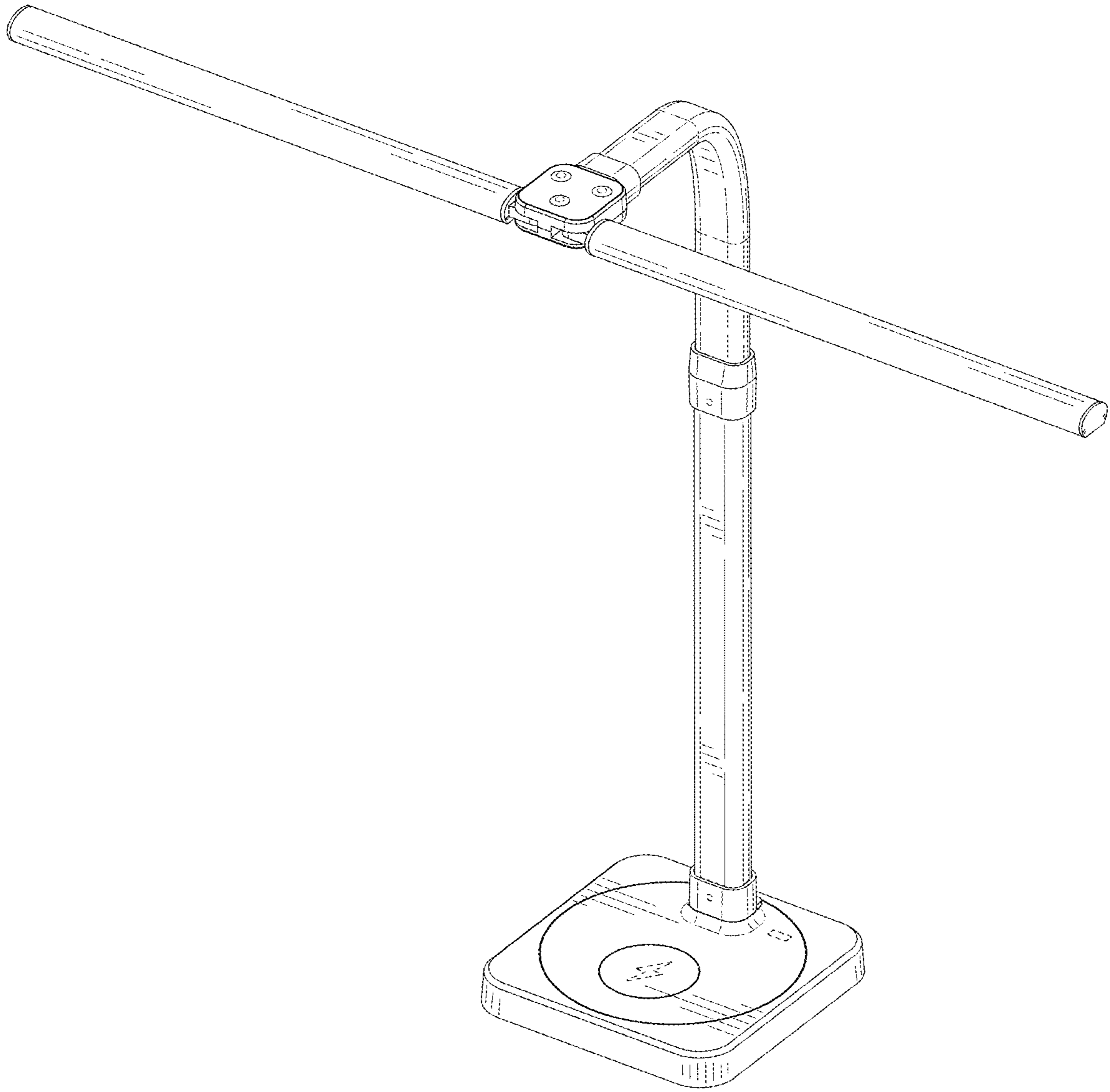


FIG. 1

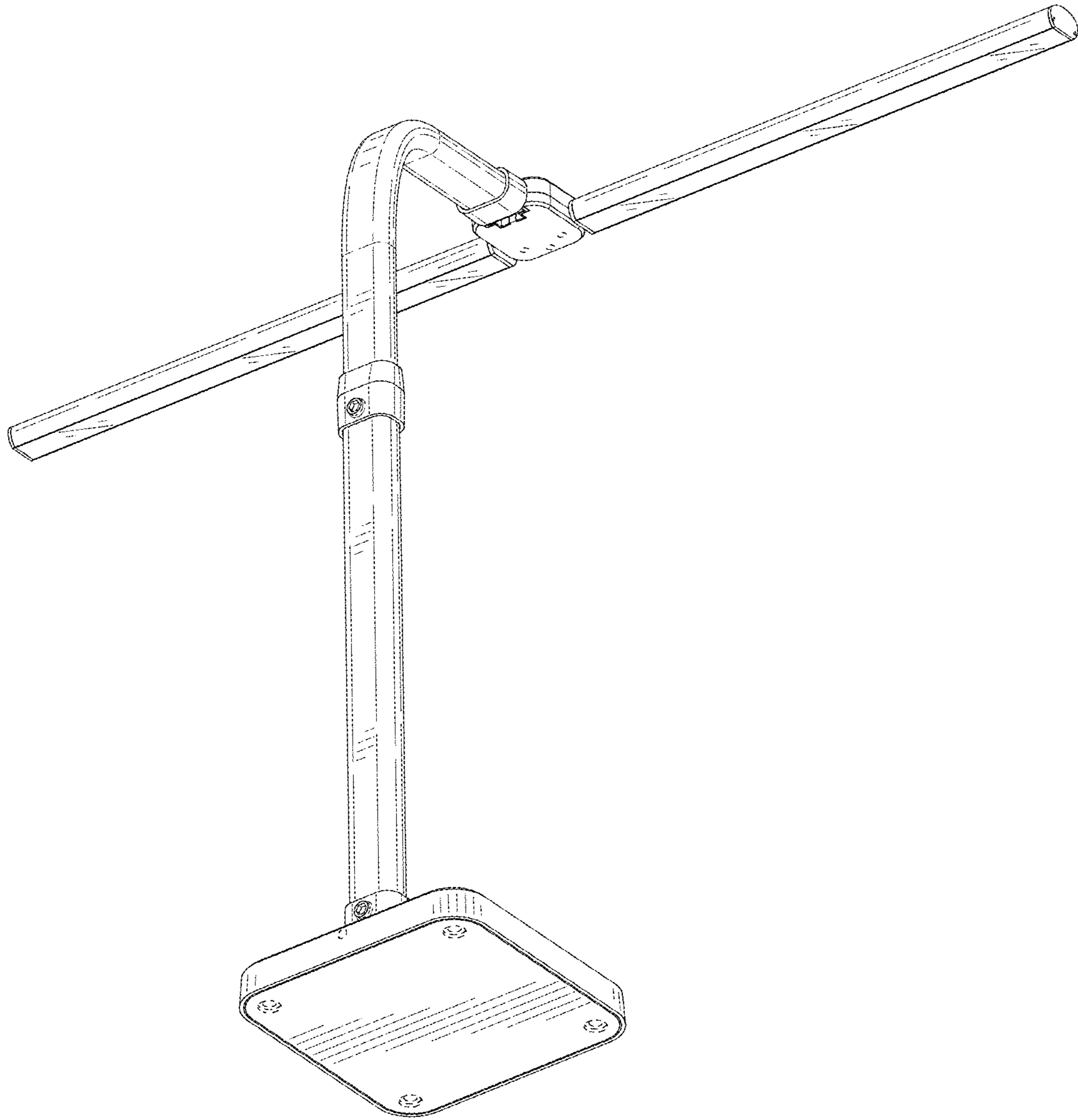


FIG. 2

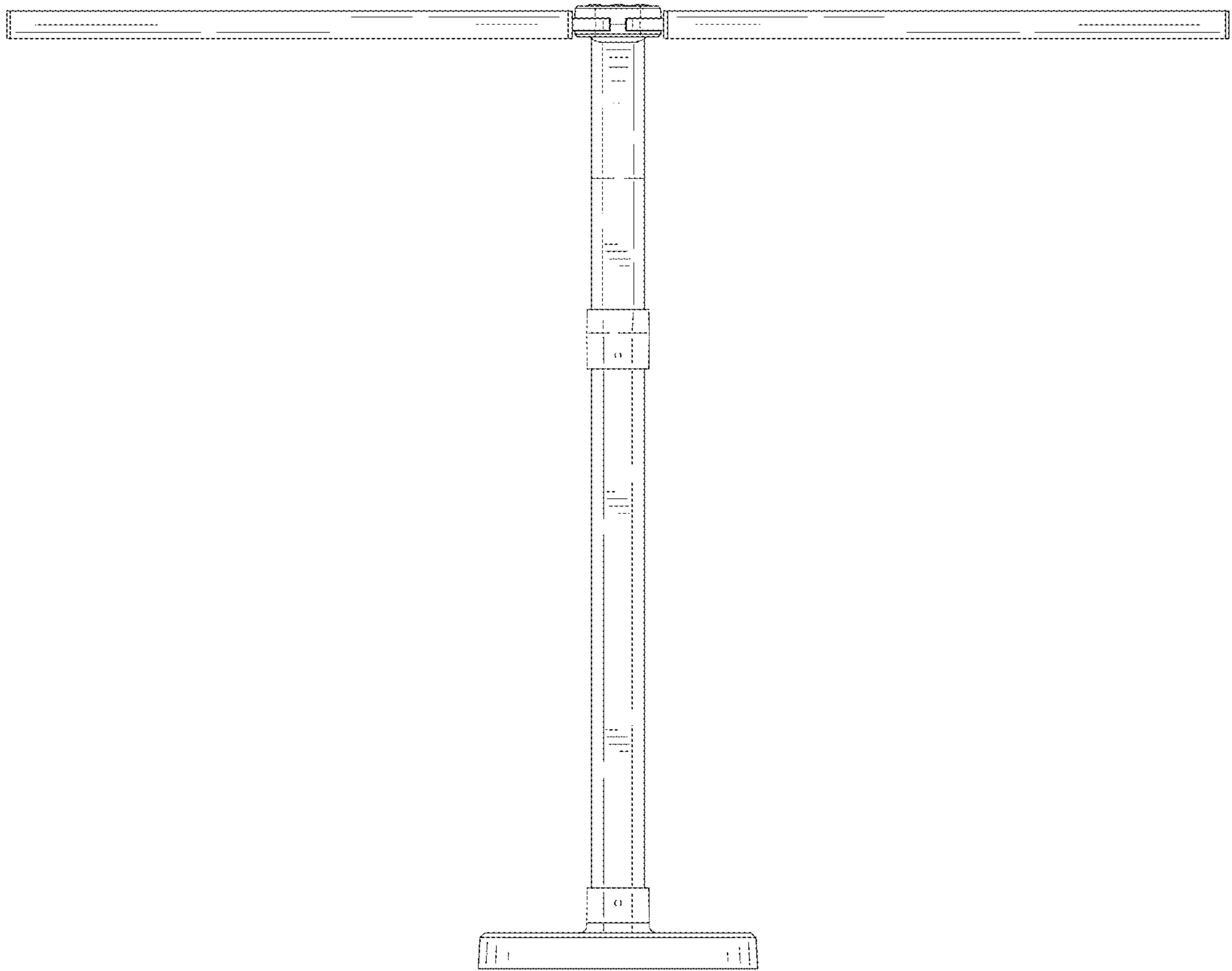


FIG. 3

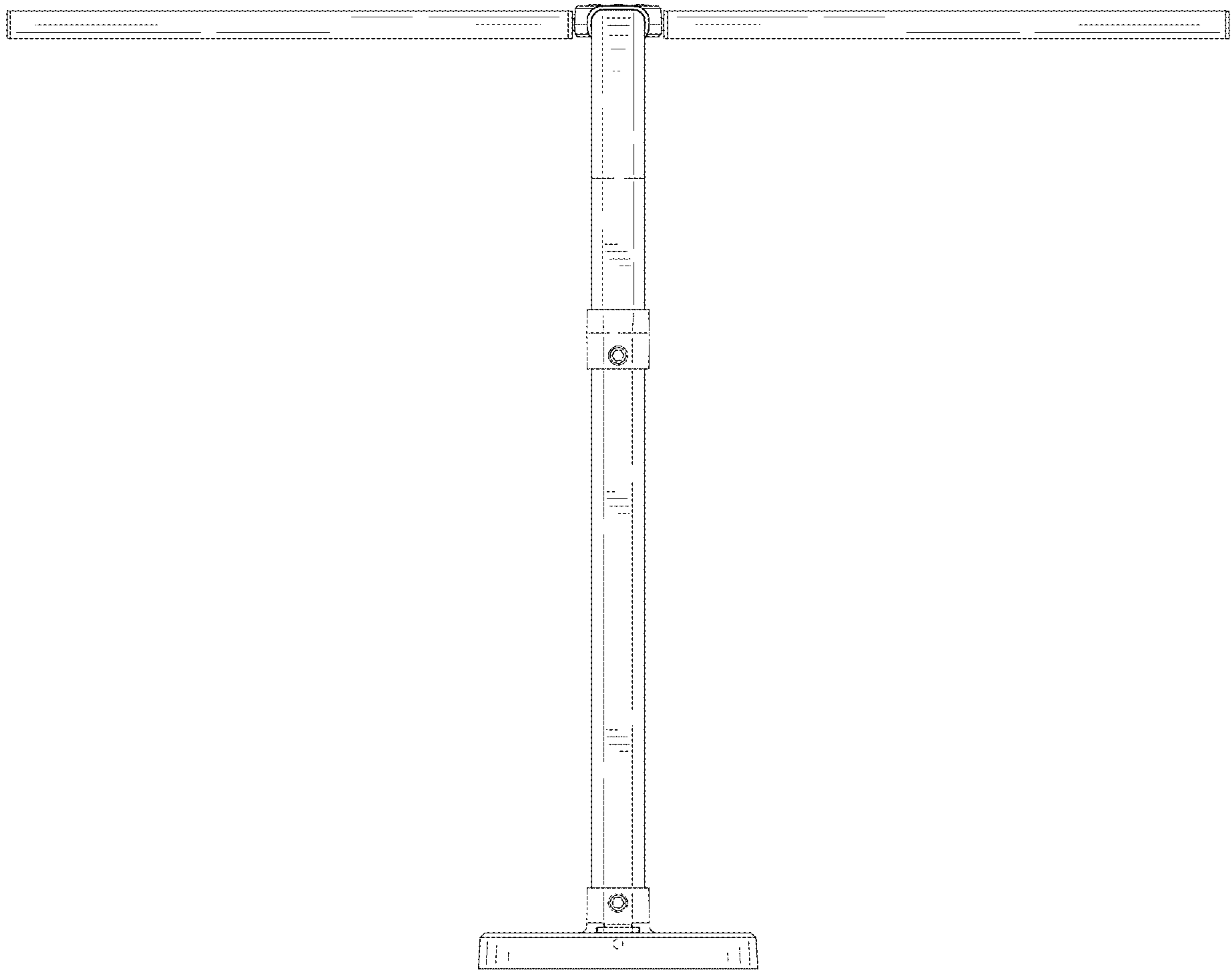


FIG. 4

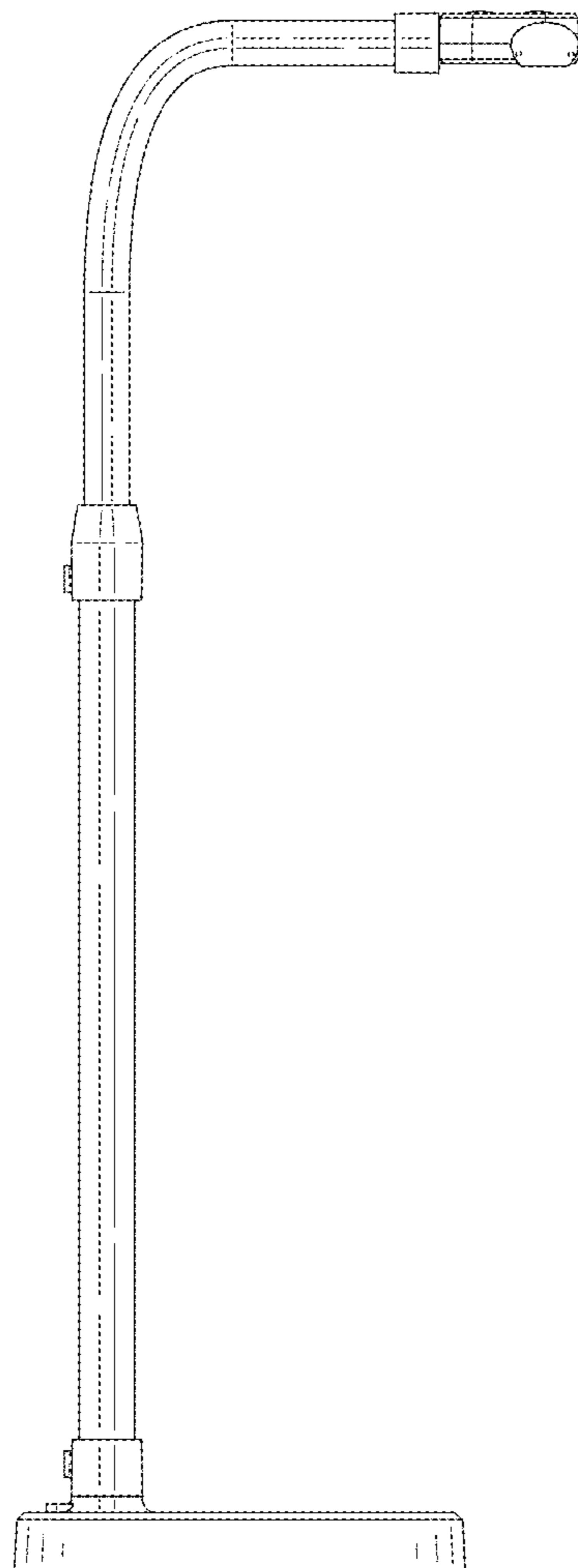


FIG. 5

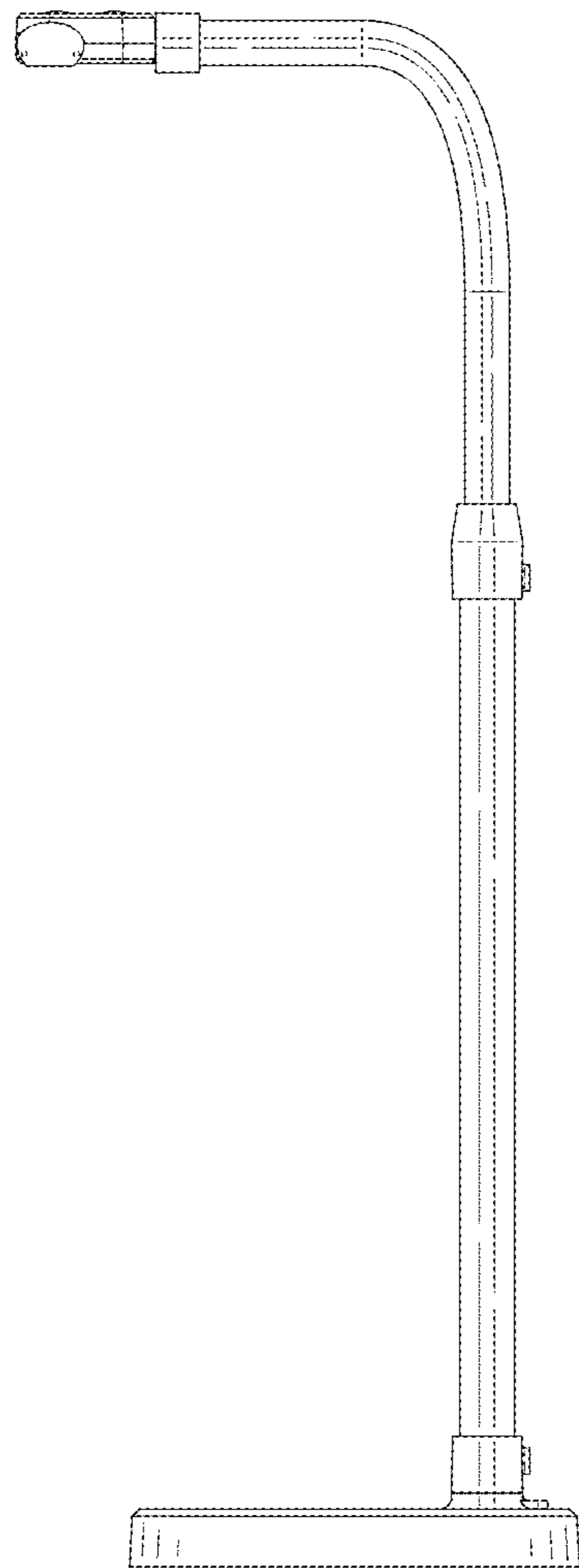


FIG. 6

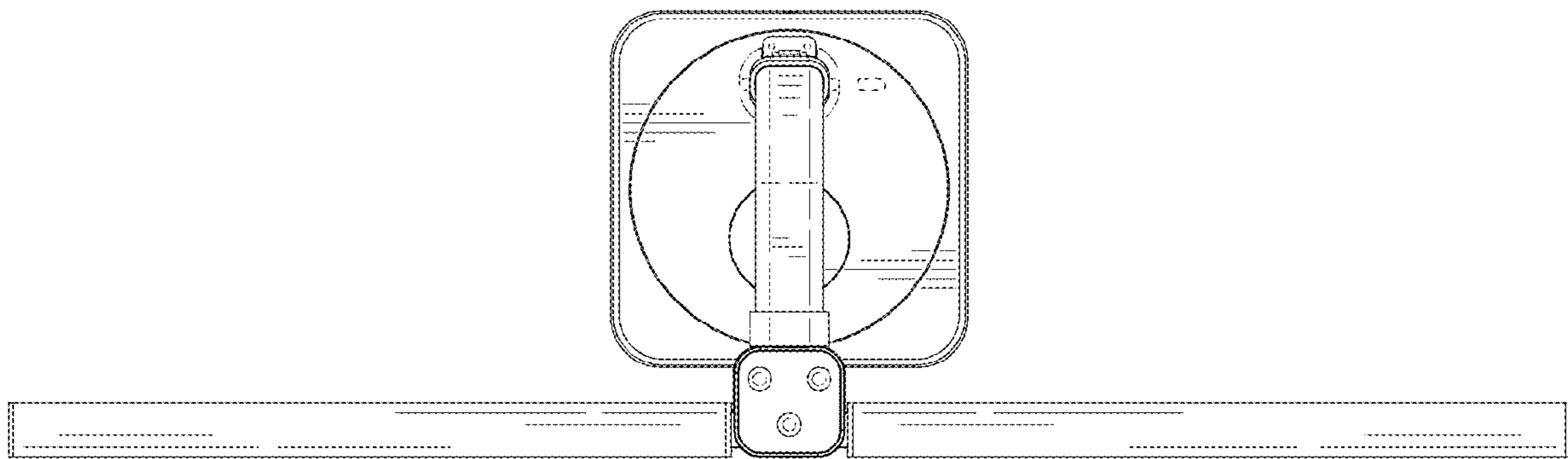


FIG. 7

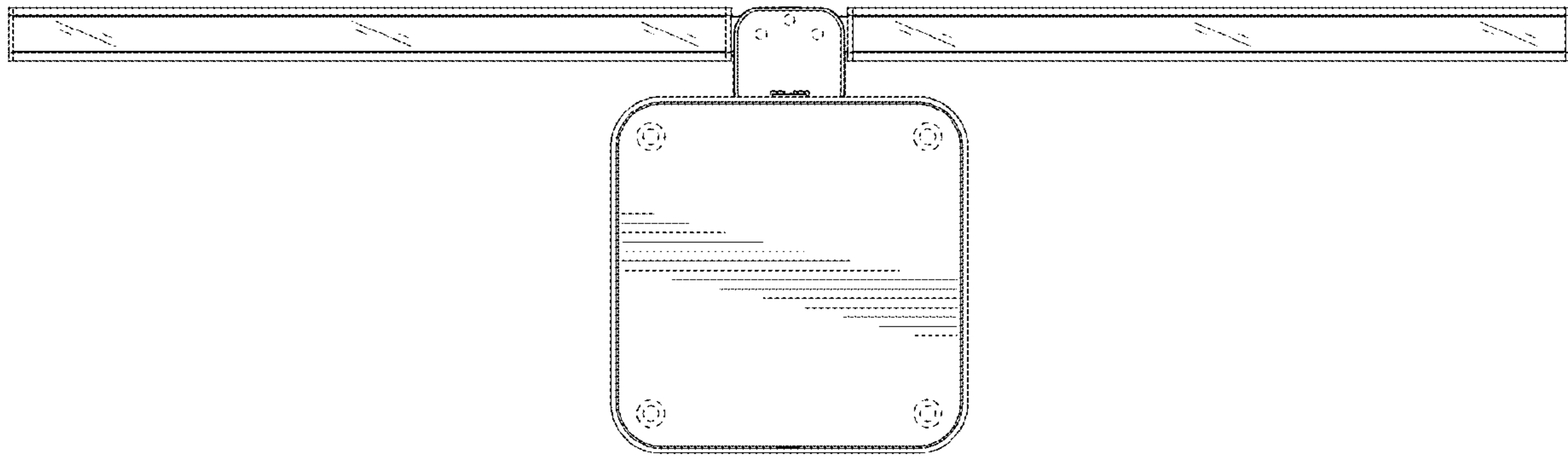


FIG. 8

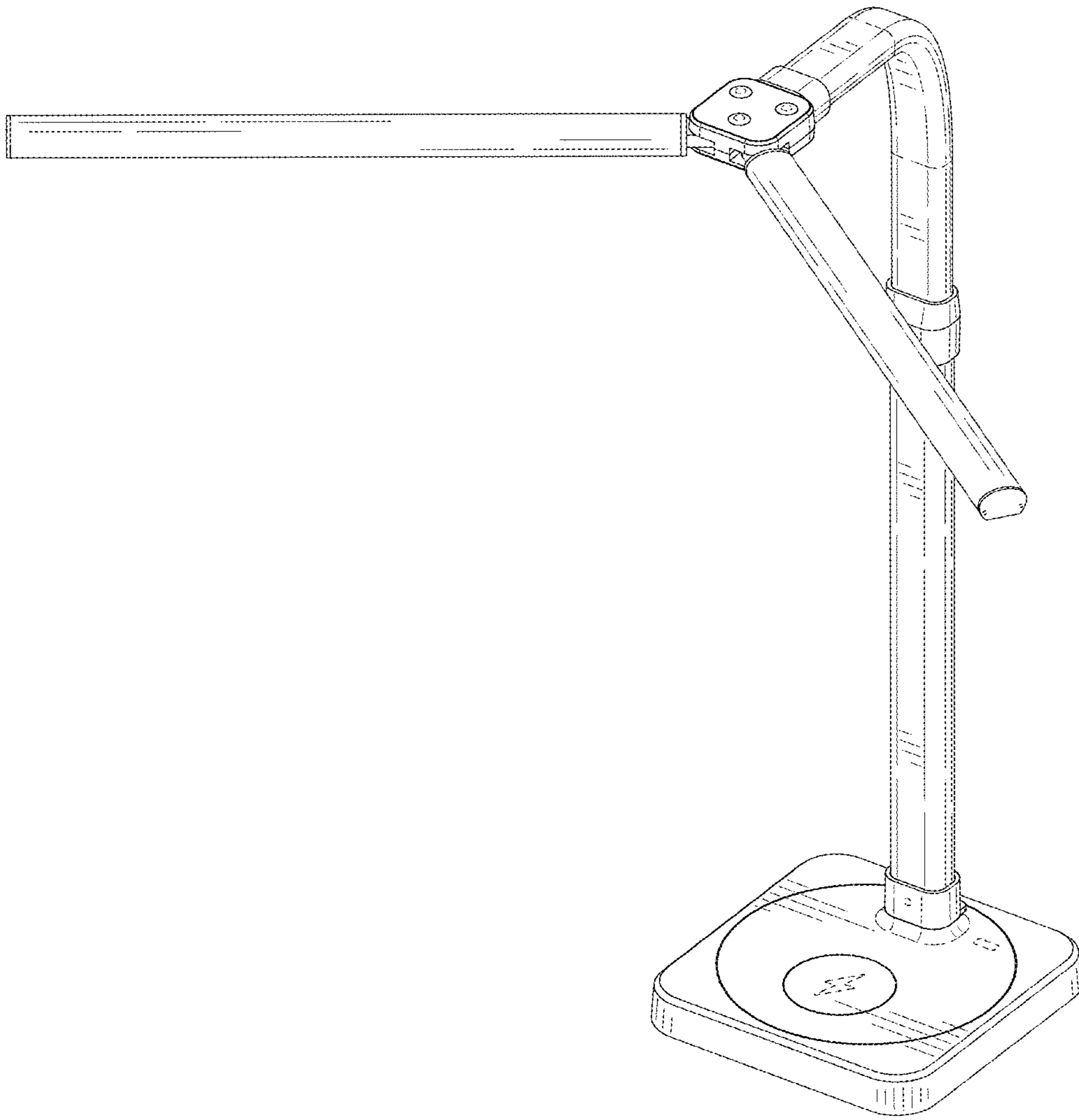


FIG. 9