



US00D989371S

(12) **United States Design Patent**  
**Cheng**

(10) **Patent No.:** **US D989,371 S**  
(45) **Date of Patent:** **\*\* Jun. 13, 2023**

- (54) **LED LAMP**
- (71) Applicant: **Min Cheng**, Shenzhen (CN)
- (72) Inventor: **Min Cheng**, Shenzhen (CN)
- (\*\*) Term: **15 Years**
- (21) Appl. No.: **29/885,080**
- (22) Filed: **Feb. 20, 2023**
- (51) **LOC (14) Cl.** ..... **26-05**
- (52) **U.S. Cl.**  
USPC ..... **D26/60**
- (58) **Field of Classification Search**  
USPC ..... D26/60–65, 67, 87, 93, 106, 107, 109,  
D26/110, 138, 140, 141, 142  
CPC ..... F21S 2/00; F21S 4/00; F21S 4/003; F21S  
4/005; F21S 4/006; F21S 4/007; F21S  
4/008; F21S 6/00; F21S 8/00; F21S  
8/024; F21S 8/026; F21S 8/031; F21S  
8/033; F21S 8/035–037; F21S 8/04; F21S  
8/043; F21S 8/063  
See application file for complete search history.

- D959,719 S \* 8/2022 Zhao ..... D26/65
- D965,837 S \* 10/2022 Xu ..... D26/63
- D973,946 S 12/2022 Feng
- D978,398 S \* 2/2023 Wu ..... D26/62
- D981,639 S \* 3/2023 Zhang ..... D26/107
- D982,206 S \* 3/2023 Cheng ..... D26/60

\* cited by examiner

*Primary Examiner* — Natasha Vujcic  
(74) *Attorney, Agent, or Firm* — Daniel M. Cohn;  
Howard M. Cohn

(57) **CLAIM**

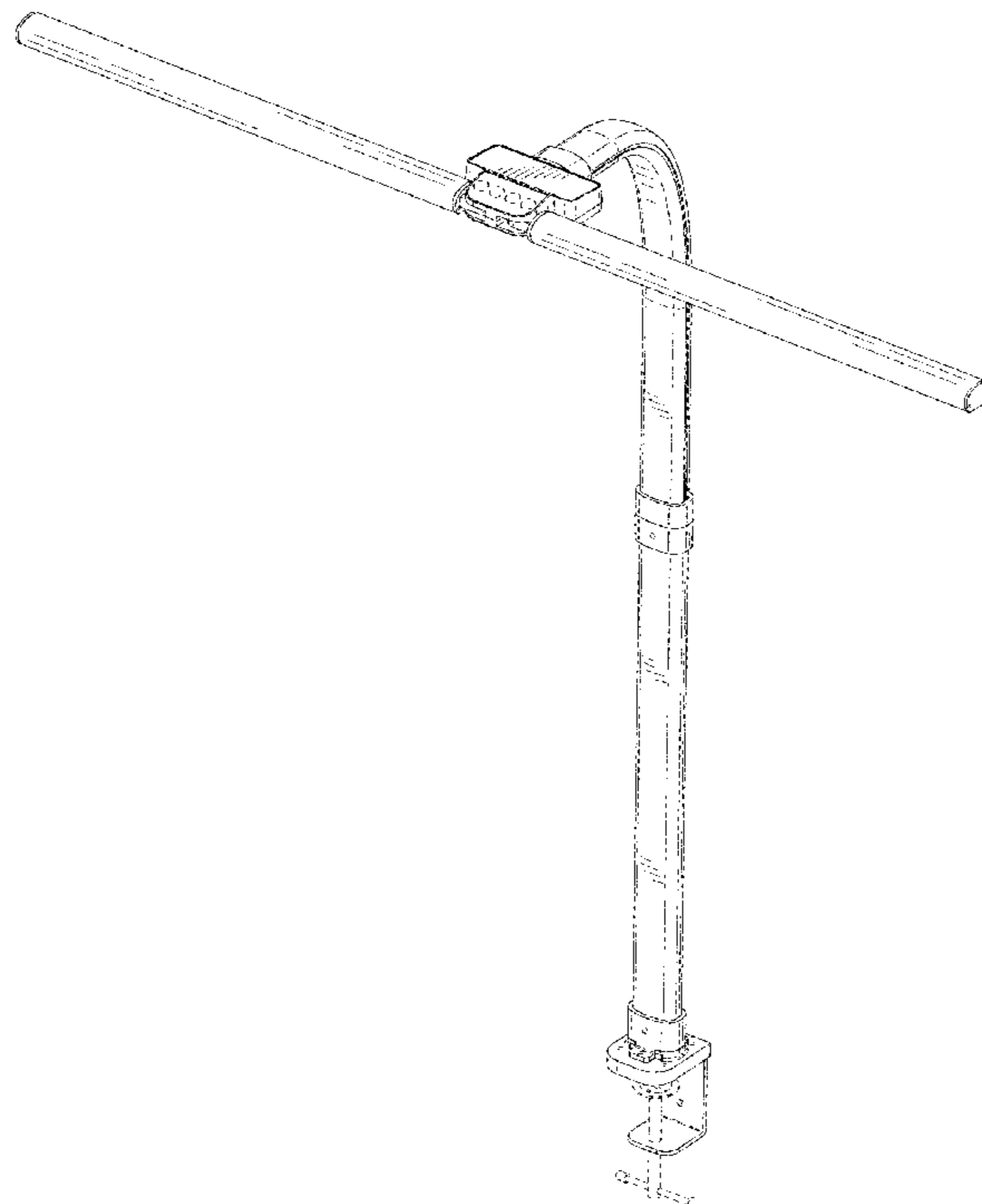
The ornamental design for a LED lamp, as shown and described.

**DESCRIPTION**

FIG. 1 is a perspective view of a LED lamp showing my new design;  
 FIG. 2 is another perspective view thereof;  
 FIG. 3 is a front elevational view thereof;  
 FIG. 4 is a rear elevational view thereof;  
 FIG. 5 is a left side elevational view thereof;  
 FIG. 6 is a right side elevational view thereof;  
 FIG. 7 is a top plan view thereof;  
 FIG. 8 is a bottom plan view thereof; and  
 FIG. 9 is a perspective view of a LED lamp where the LED lamp is in a configuration of use; and,  
 FIG. 10 is a cross-sectional view taken along line 10-10 shown in FIG. 3.  
 The dash-dash broken lines in the drawings depict portions of the LED lamp that form no part of the claimed design. The dot-dash broken lines represent the boundary of the enlarged portion and form no part of the claimed design.

**1 Claim, 10 Drawing Sheets**

- (56) **References Cited**  
U.S. PATENT DOCUMENTS
- D694,448 S \* 11/2013 Li ..... D26/62
- D731,699 S \* 6/2015 Fishman ..... D26/106
- D784,580 S \* 4/2017 Smith ..... D26/60
- D811,645 S \* 2/2018 Kim ..... D26/107
- D823,529 S \* 7/2018 Pernthaler ..... D26/109
- D883,551 S \* 5/2020 Waldmann ..... D26/65
- D921,950 S \* 6/2021 Ye ..... D26/60
- D950,120 S \* 4/2022 Pang ..... D26/65
- D953,591 S \* 5/2022 Pang ..... D26/109



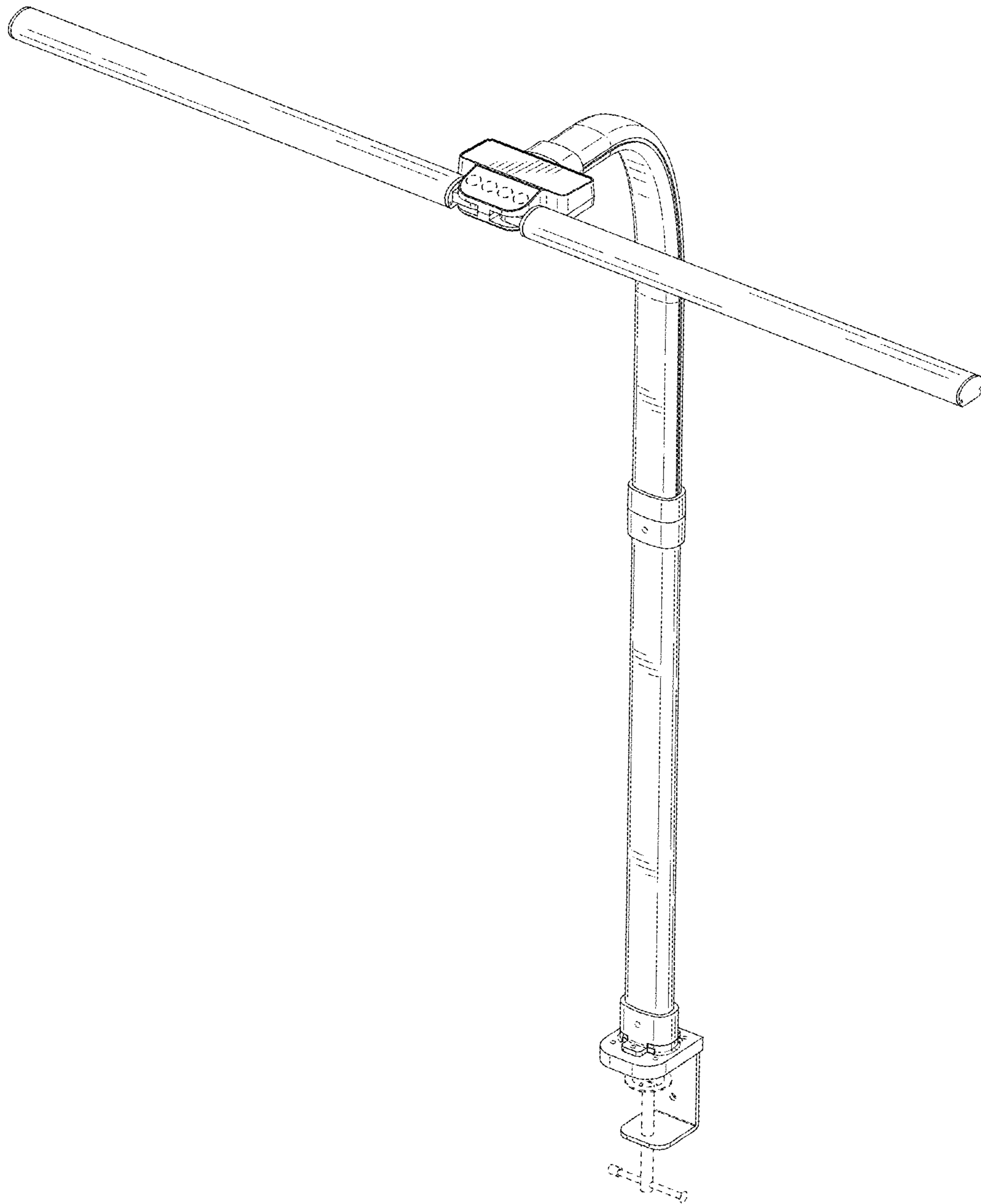


FIG. 1

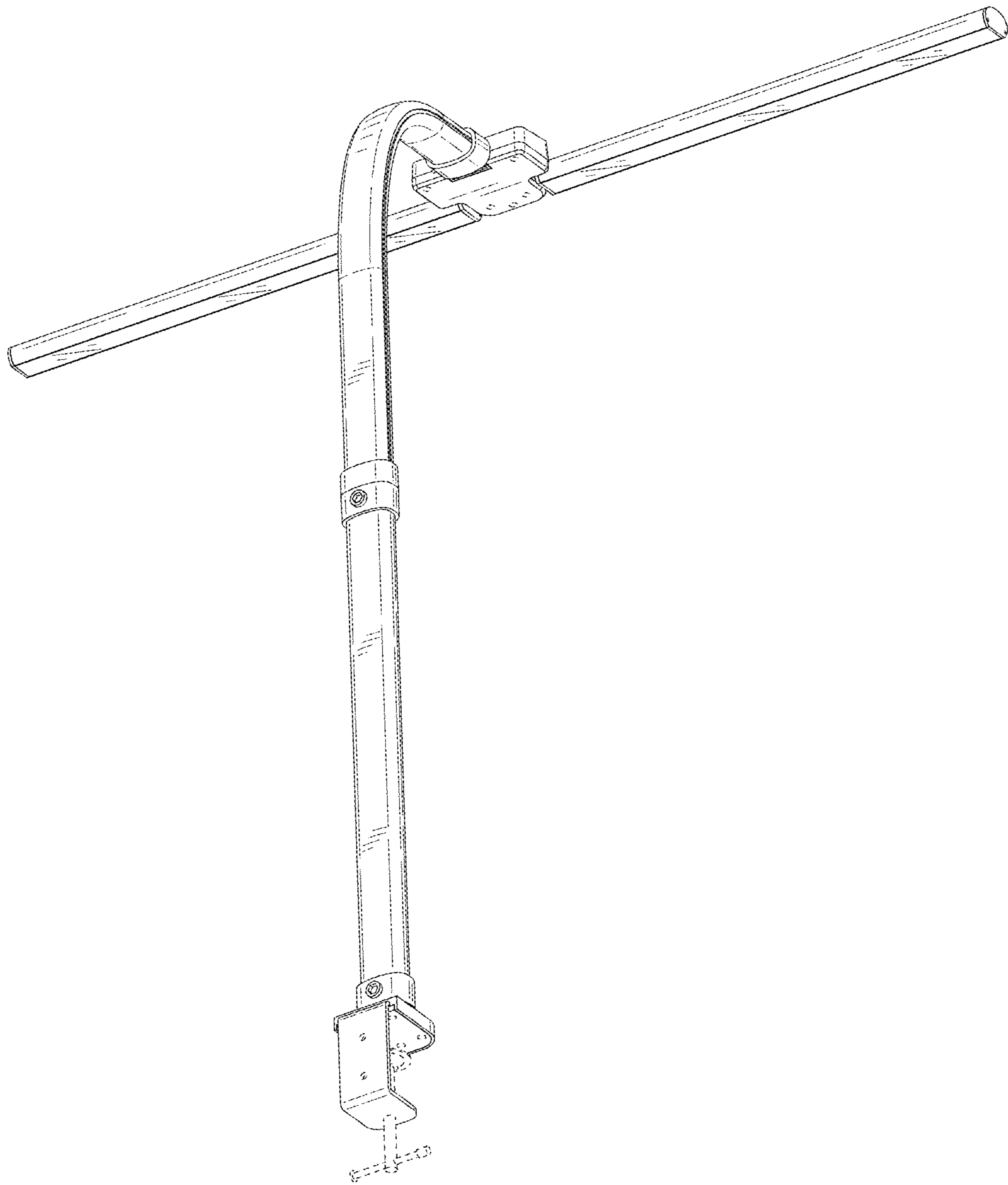


FIG. 2

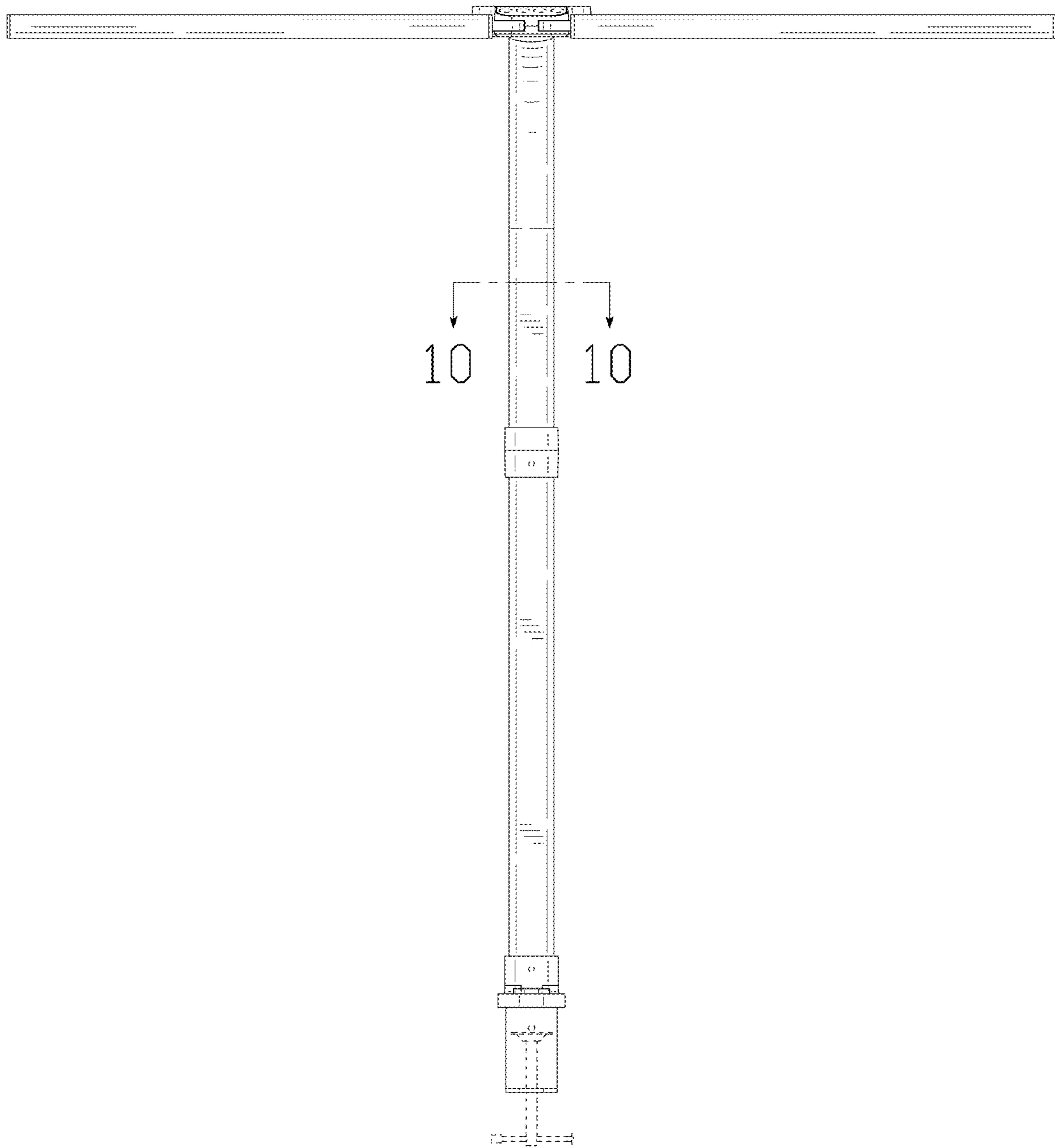


FIG. 3

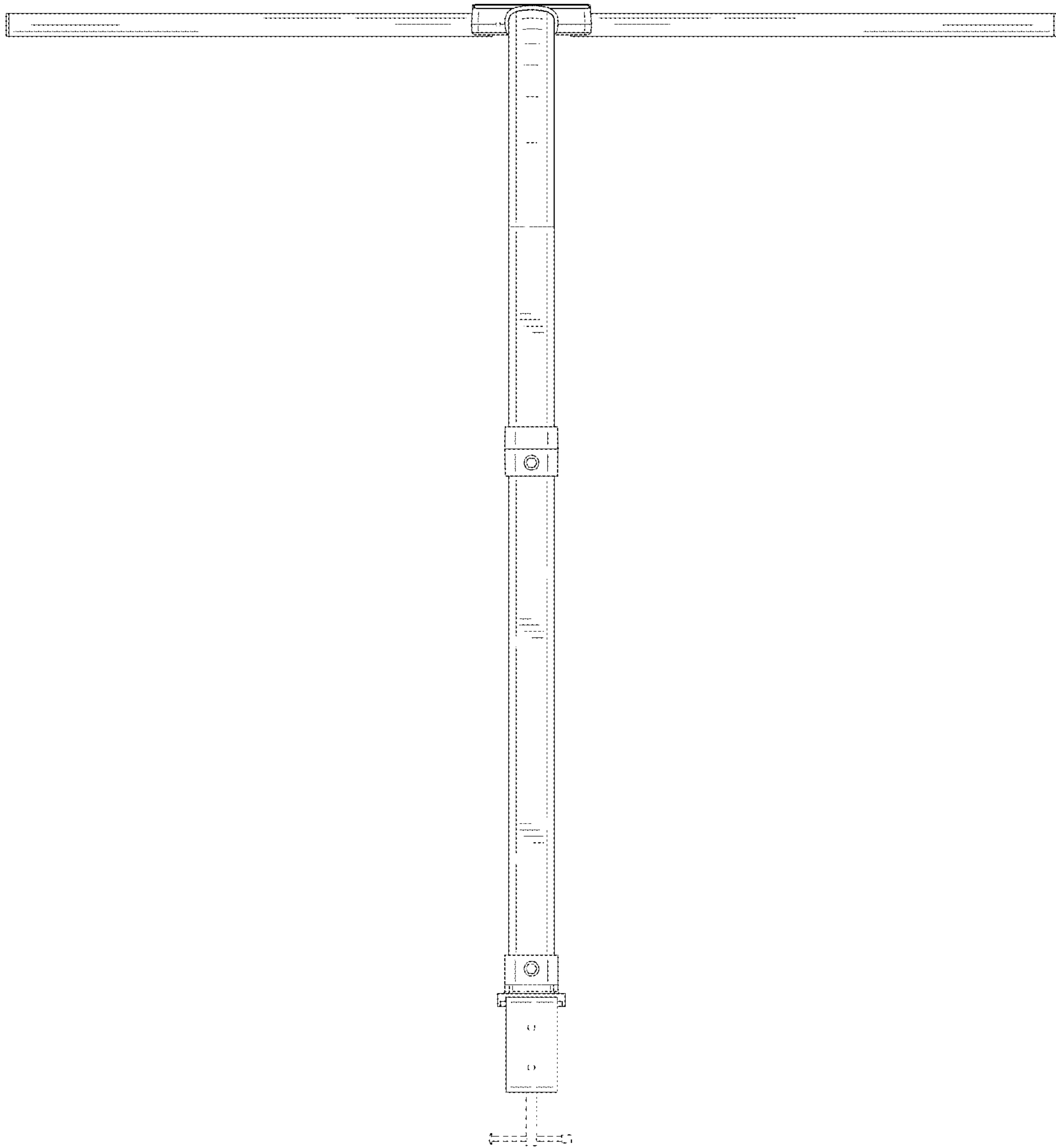


FIG. 4

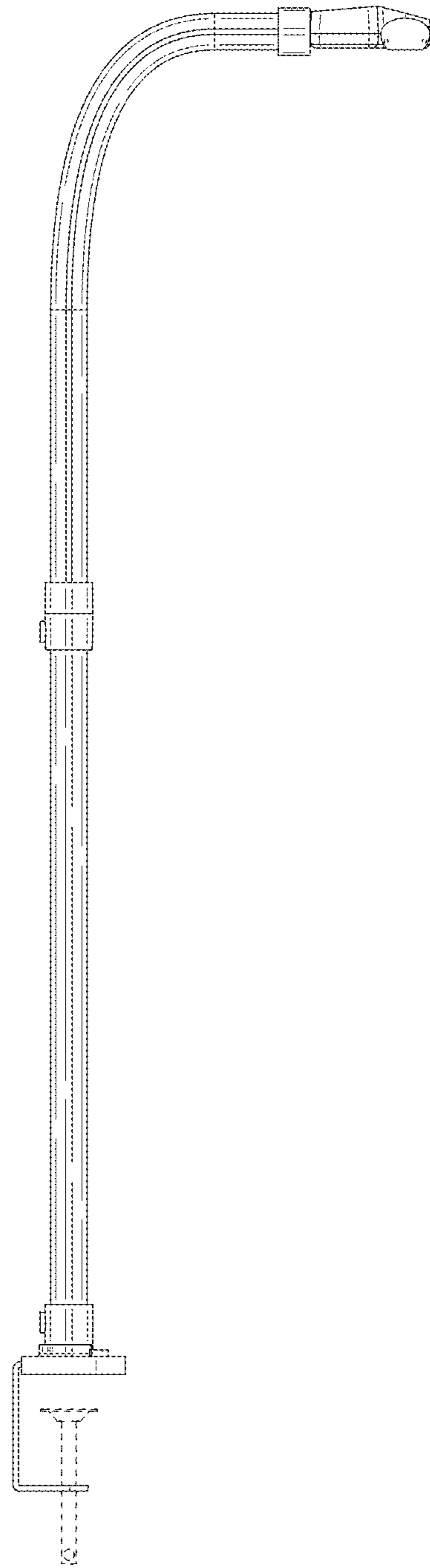


FIG. 5

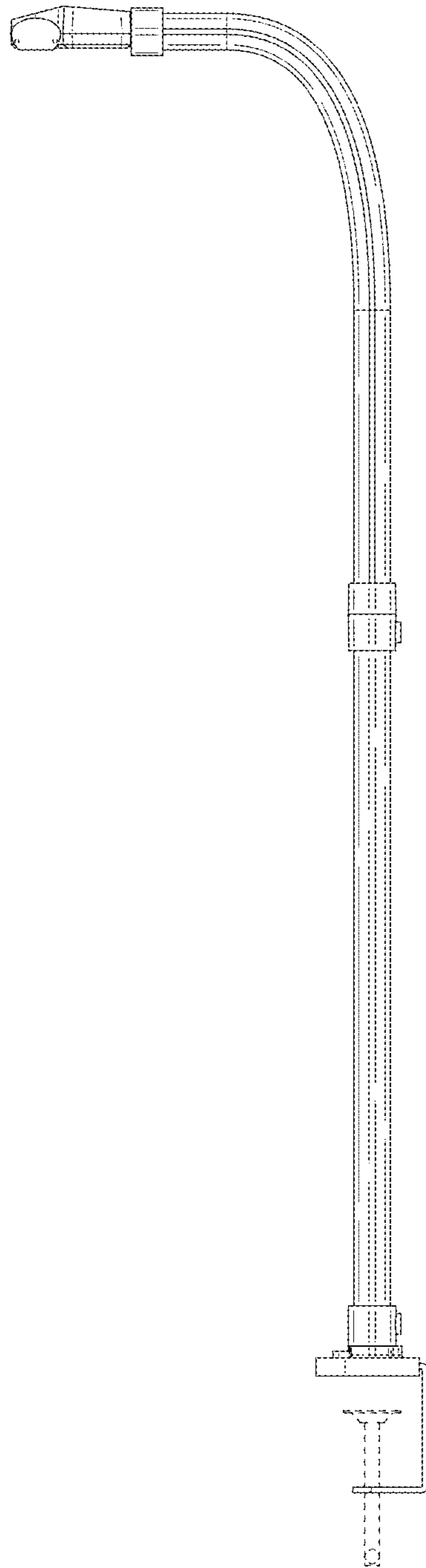


FIG. 6

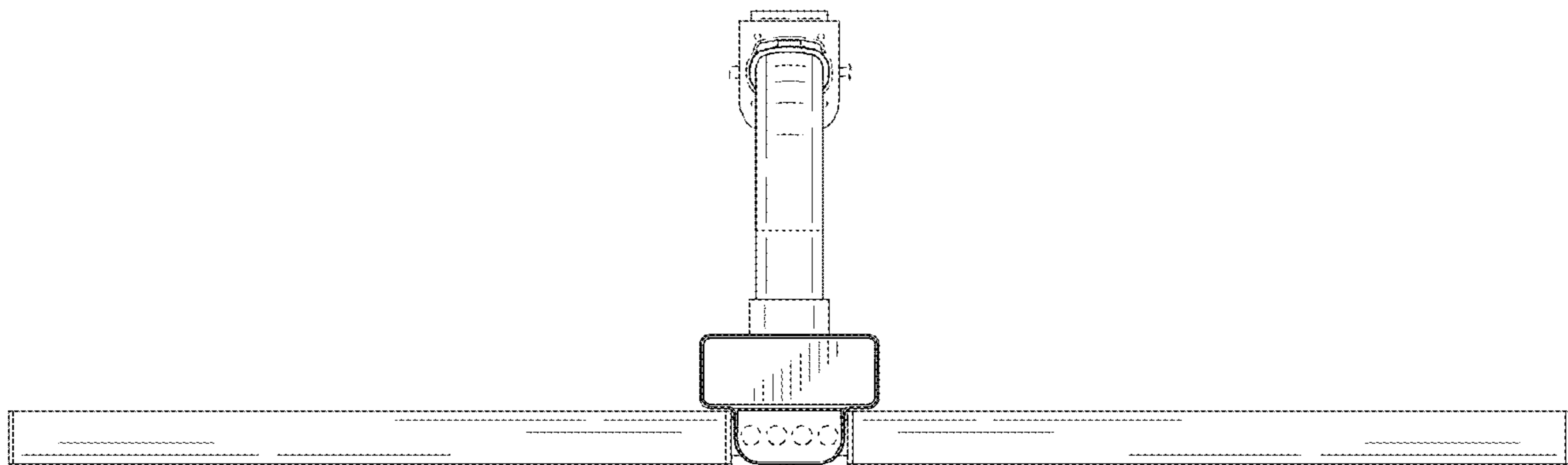


FIG. 7



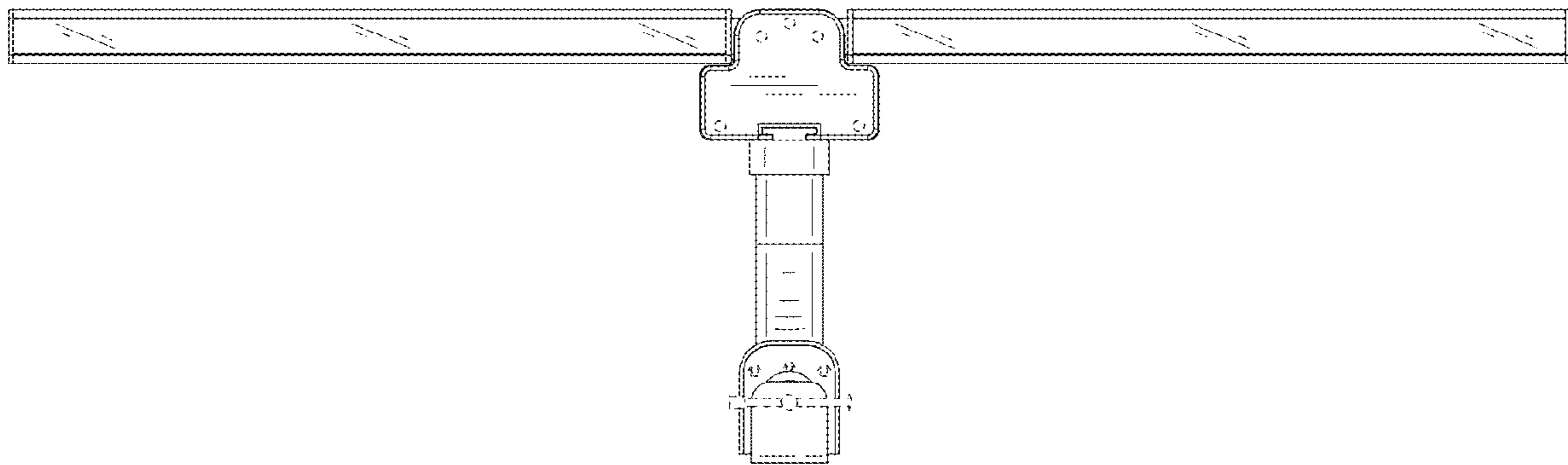


FIG. 8

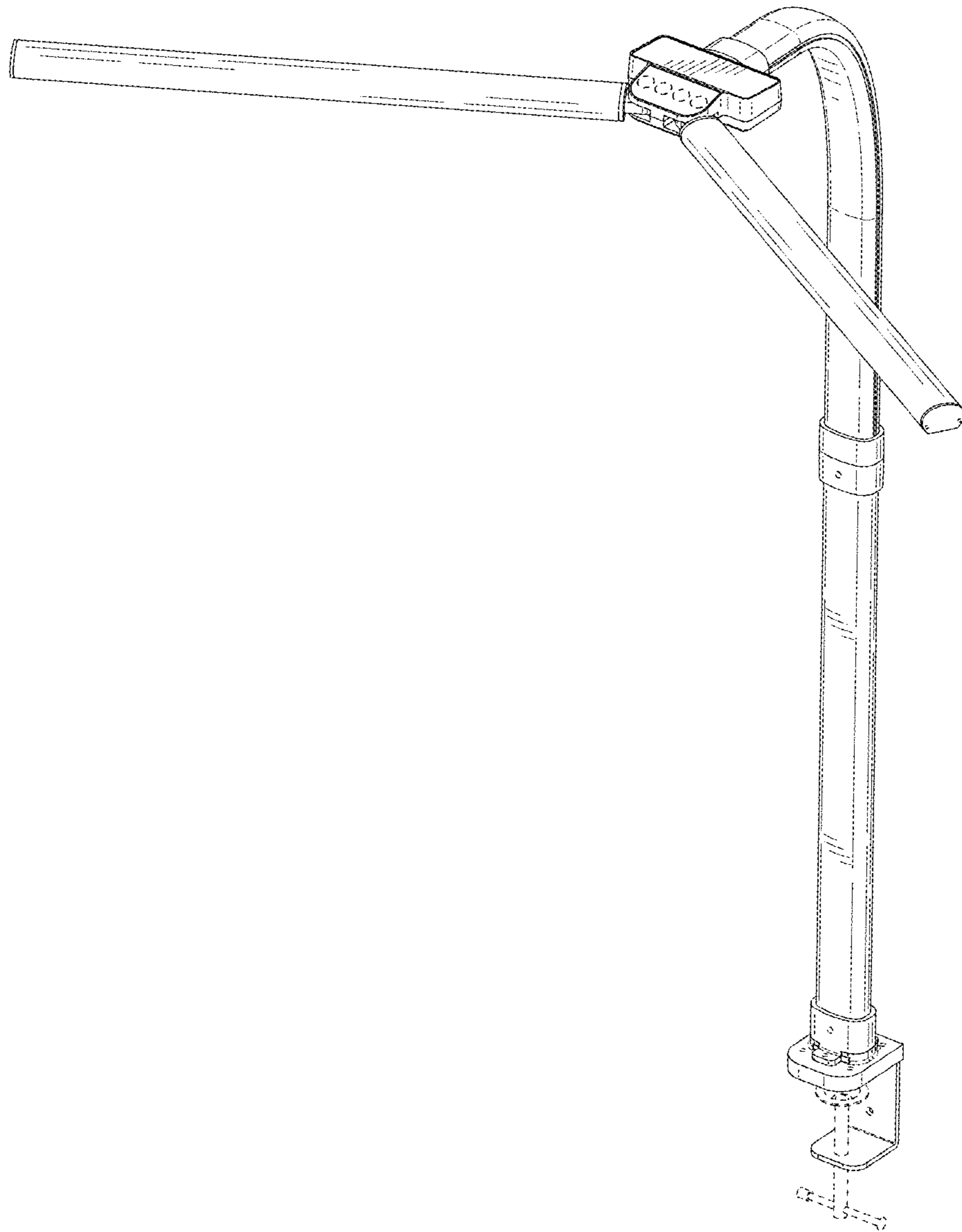


FIG. 9

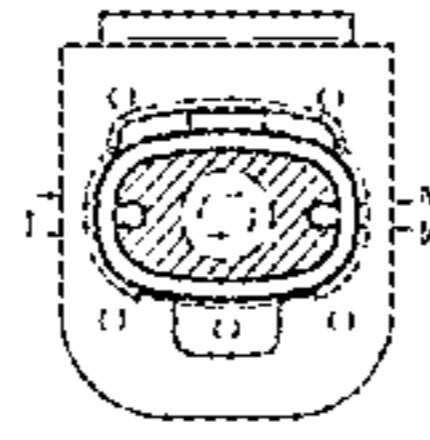


FIG. 10