



US00D989370S

(12) **United States Design Patent**  
**Holmes Bradley**

(10) **Patent No.:** **US D989,370 S**  
(45) **Date of Patent:** **\*\* Jun. 13, 2023**

- (54) **CEILING FAN LIGHT KIT**
- (71) Applicant: **Hunter Fan Company**, Memphis, TN (US)
- (72) Inventor: **Christine Marie Holmes Bradley**, Memphis, TN (US)
- (73) Assignee: **Hunter Fan Company**, Memphis, TN (US)

- D543,271 S 5/2007 Yang
- D550,832 S 9/2007 Ertze
- D707,336 S 6/2014 Pan
- D732,157 S 6/2015 Lin et al.
- D744,083 S 11/2015 Wang
- D744,084 S 11/2015 Wang
- D745,658 S 12/2015 Wang
- D799,662 S 10/2017 McRoberts
- D800,289 S 10/2017 Guthrie
- D804,635 S 12/2017 Holmes
- D804,638 S 12/2017 Guthrie

(Continued)

(\*\*) Term: **15 Years**

(21) Appl. No.: **29/811,185**

(22) Filed: **Oct. 12, 2021**

**Related U.S. Application Data**

- (62) Division of application No. 29/686,898, filed on Apr. 9, 2019, now Pat. No. Des. 936,814.
- (51) **LOC (14) Cl.** ..... **26-05**
- (52) **U.S. Cl.**  
USPC ..... **D26/59**
- (58) **Field of Classification Search**  
USPC ..... D23/370, 377, 379, 385, 411, 413;  
D26/59, 119, 129  
CPC ..... F04D 25/088; F04D 29/38; F04D 29/384;  
F04D 29/386; F21V 33/0096; F21V  
3/061; F21V 3/0615; F21S 8/032  
See application file for complete search history.

(56) **References Cited**

**U.S. PATENT DOCUMENTS**

- D377,975 S 2/1997 Young
- D464,722 S 10/2002 Sonneman
- D465,277 S 11/2002 Sonneman
- D476,406 S 6/2003 Friedes
- D476,411 S \* 6/2003 Friedes ..... D23/411
- D502,770 S 3/2005 Hidalgo
- D517,197 S \* 3/2006 Pickett ..... D23/411
- D539,894 S \* 4/2007 Bucher ..... D26/59

**OTHER PUBLICATIONS**

<https://www.craftmade.com/morrow-bay-mr56agv4c1>, Craftmade Morrow Bay 56" Ceiling Fan with Blades and Light, Model No. MR56AGV4C1, accessed Jan. 8, 2018.

(Continued)

*Primary Examiner* — Sharon S Oum

(74) *Attorney, Agent, or Firm* — McGarry Bair PC

(57) **CLAIM**

The ornamental design for a ceiling fan light kit, as shown and described.

**DESCRIPTION**

FIG. 1 is a bottom perspective view of a ceiling fan light kit, shown in the environment of a ceiling fan, showing my new design;

FIG. 2 is a top view thereof, having the ceiling fan environment removed;

FIG. 3 is a bottom view thereof;

FIG. 4 is a front side view thereof;

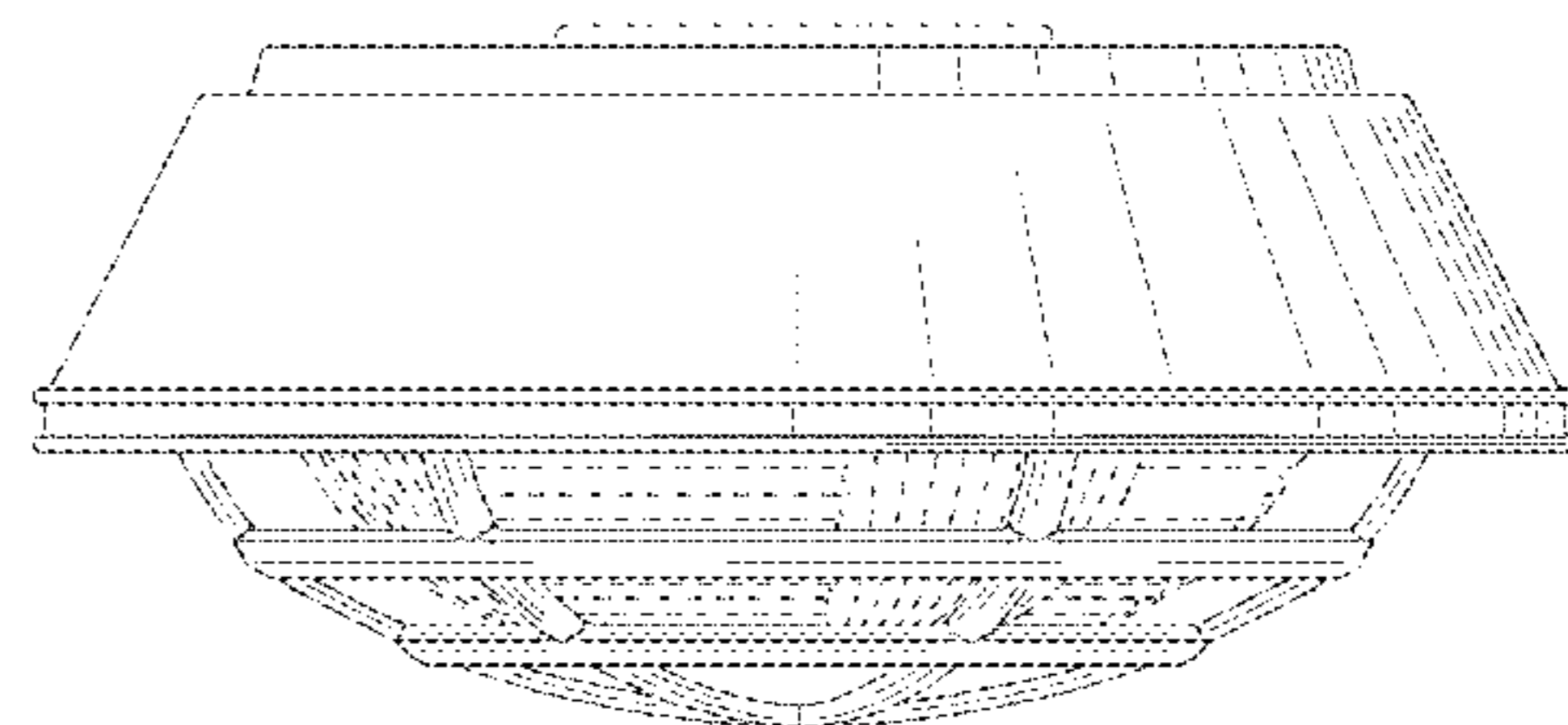
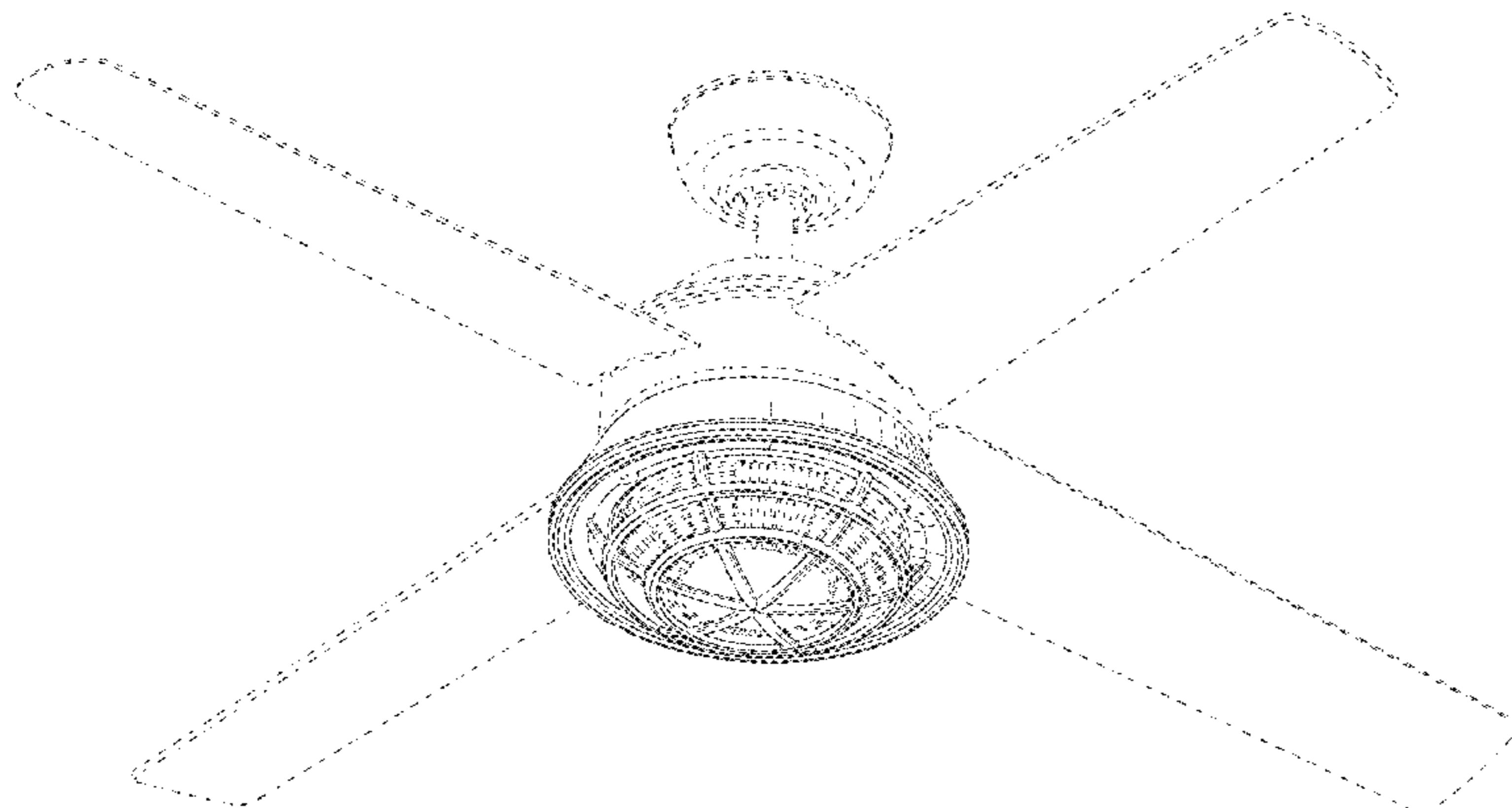
FIG. 5 is a back side view thereof;

FIG. 6 is a right side view thereof; and,

FIG. 7 is a left side view thereof.

Portions of the ceiling fan and ceiling fan light kit shown in broken lines form no part of the claimed design.

**1 Claim, 7 Drawing Sheets**



(56)

**References Cited**

U.S. PATENT DOCUMENTS

D806,852 S	1/2018	Holmes	
D808,002 S	1/2018	Holmes	
D810,918 S	2/2018	Holmes	
D821,009 S	6/2018	Holmes	
D821,010 S	6/2018	Holmes	
D825,086 S *	8/2018	Holmes	D26/59
D834,172 S *	11/2018	Guthrie	D26/59
D857,978 S *	8/2019	Fan	D26/119
D859,630 S	9/2019	Puerto	
D875,288 S	2/2020	Holmes	
D880,034 S	3/2020	Holmes	
D890,911 S	7/2020	Holmes	
D899,653 S	10/2020	Holmes	
D936,814 S *	11/2021	Holmes Bradley	D23/382
D943,728 S *	2/2022	McRoberts	D23/377

OTHER PUBLICATIONS

<https://www.homedepot.com/p/Hampton-Bay-Northport-52-in-Indoor-Brushed-Nickel-Ceiling-Fan-with-Light-Kit-14926/202790687>, Hampton Bay Northport 52 in. Indoor Brushed Nickel Ceiling Fan with Light Kit, Model No. 14926, accessed Jan. 9, 2019.

<https://www.hunterfan.com/ceiling-fans/ocala-outdoor-with-led-light-52-inch-fam703>, Hunter Fan Ocala Outdoor with Led Light 52 inch Ceiling Fan, Model No. 59240, accessed Jan. 9, 2018.

<https://www.hunterfan.com/ceiling-fans/coral-gables-outdoor-with-led-light-54-inch-fam796>, Hunter Fan Coral Gables Outdoor with LED Light 54 inch Ceiling Fan, Model No. 59280, accessed Jan. 9, 2018.

<https://www.hunterfan.com/ceiling-fans/landsdowne-outdoor-low-profile-with-light-52-inch-fam591>, Hunter Fan Landsdowne Outdoor Low Profile with Light 52 inch Ceiling Fan, Model No. 59190, accessed Jan. 9, 2018.

<http://www.minkagroup.net/products/f582-orb>, Minka Rainman 52" Blades in Oil Rubbed Bronze Finish with Taupe Blades Integrated Light w/Vintage Amber Glass, Model No. F582-ORB, accessed Jan. 9, 2018.

<http://www.minkagroup.net/products/f681-orb>, Minka Groton 56" 5 Blades Ceiling Fan in Oil Rubbed Bronze Finish with Dark Pine Blades w/Clear Fresnel Lens, Model No. F681-ORB, accessed Jan. 9, 2018.

<http://www.kichler.com/products/product/maor-patio-65-ceiling-fan-olde-bronze-oz-310136oz.aspx>, Kichler Maor Patio Collection, Maor Patio 65" Ceiling Fan—Olde Bronze OZ, Model No. 310136OZ, accessed Jan. 9, 2018.

\* cited by examiner

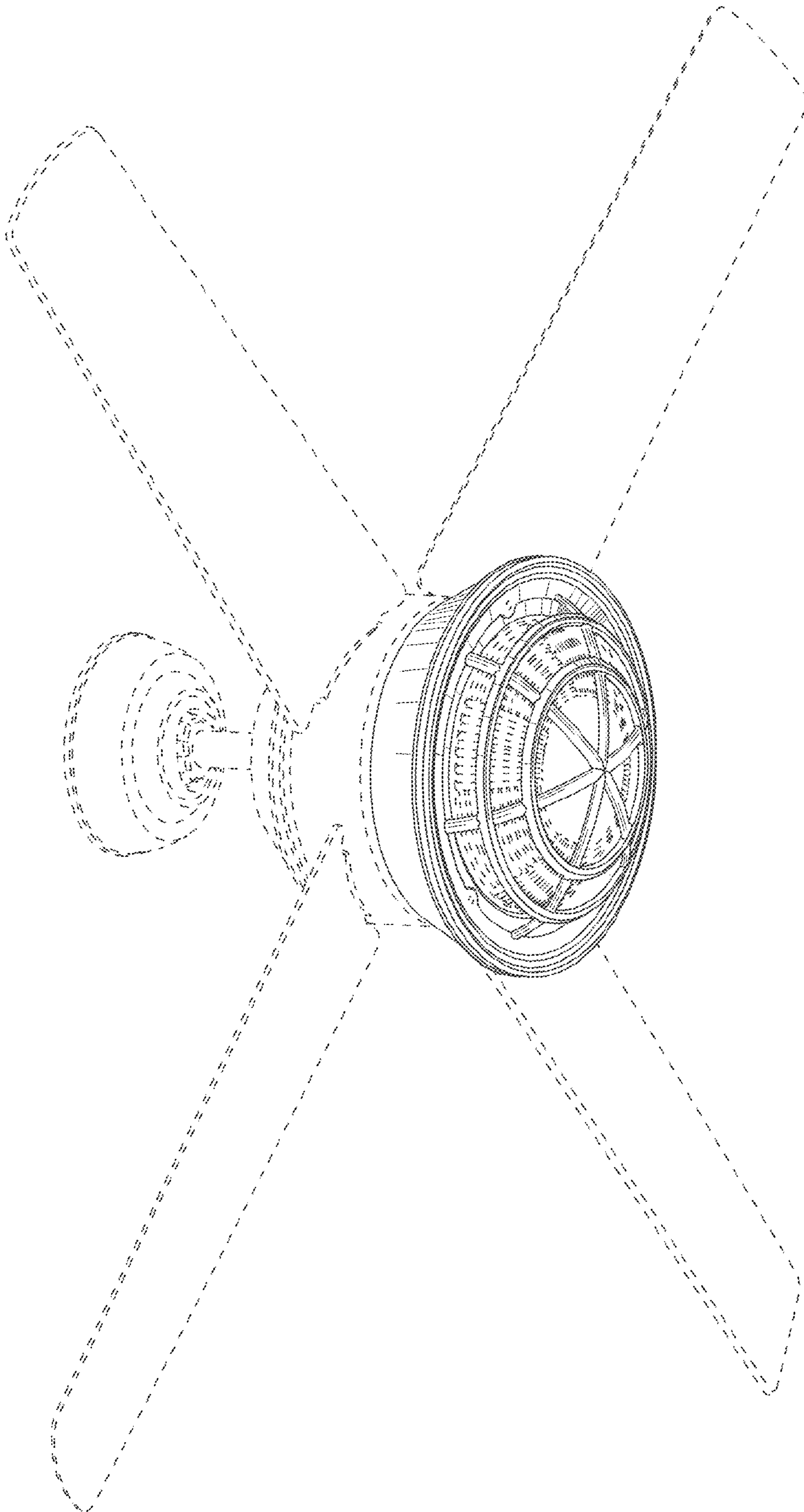


FIG. 1

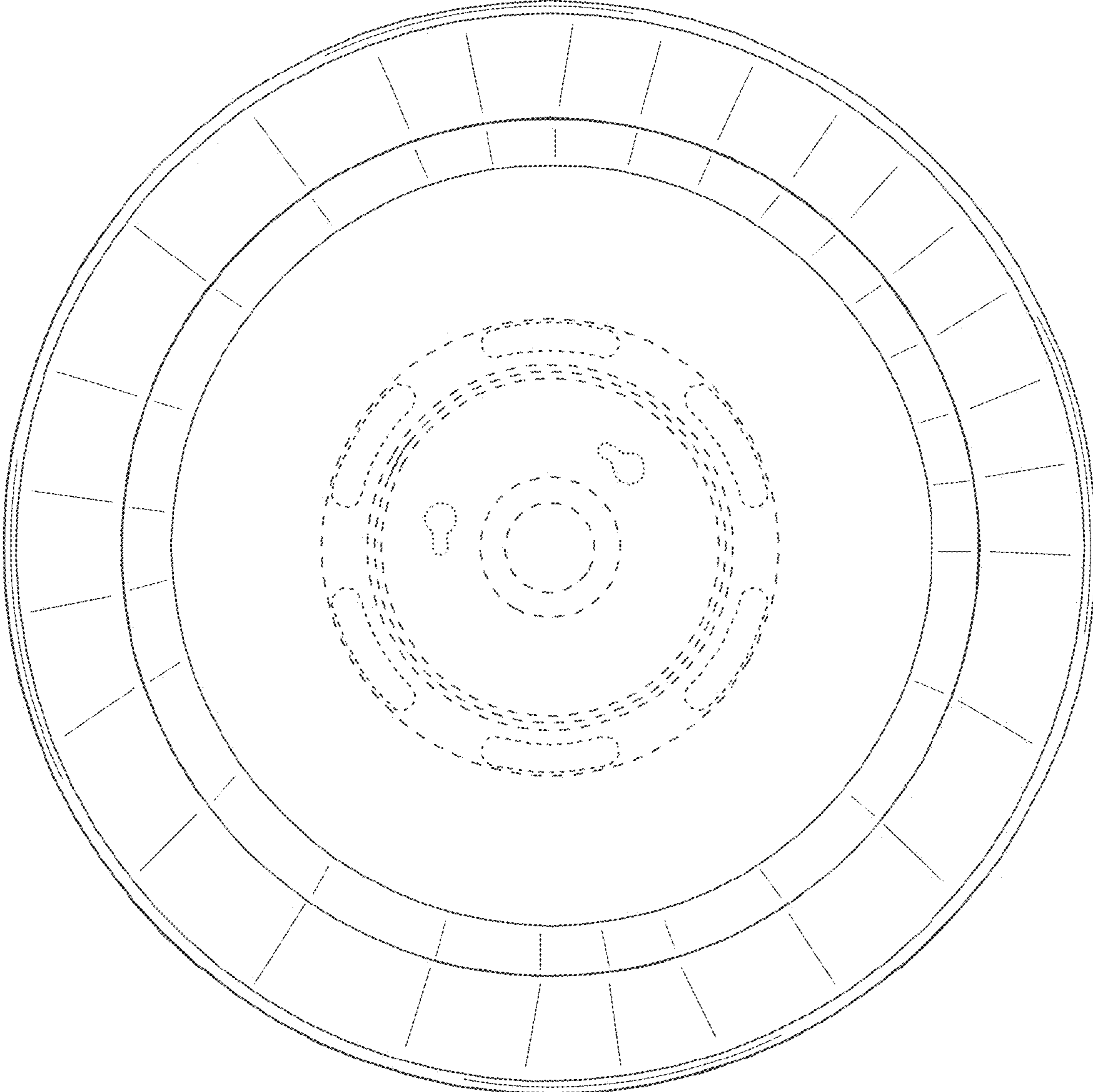


FIG. 2

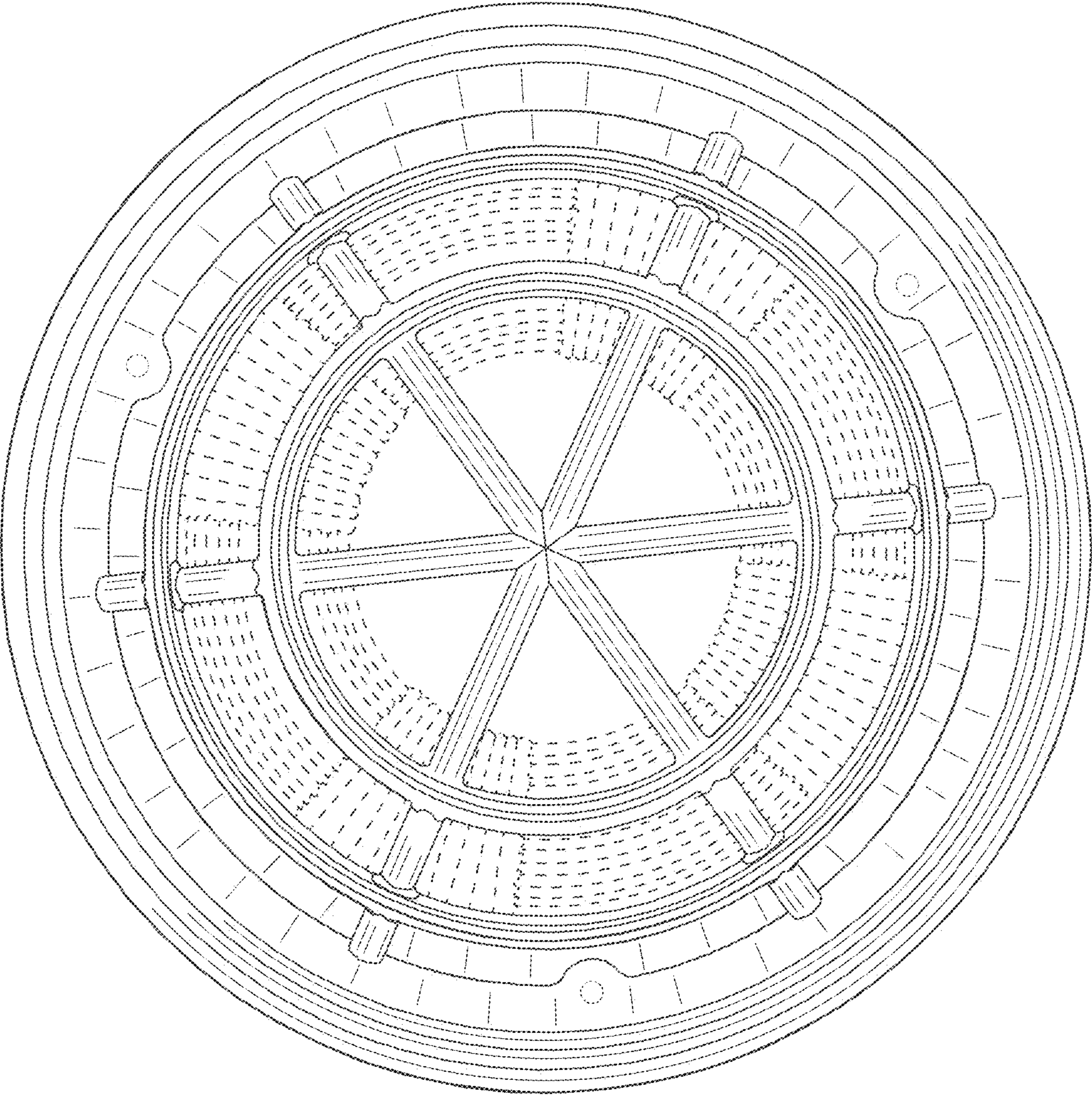


FIG. 3

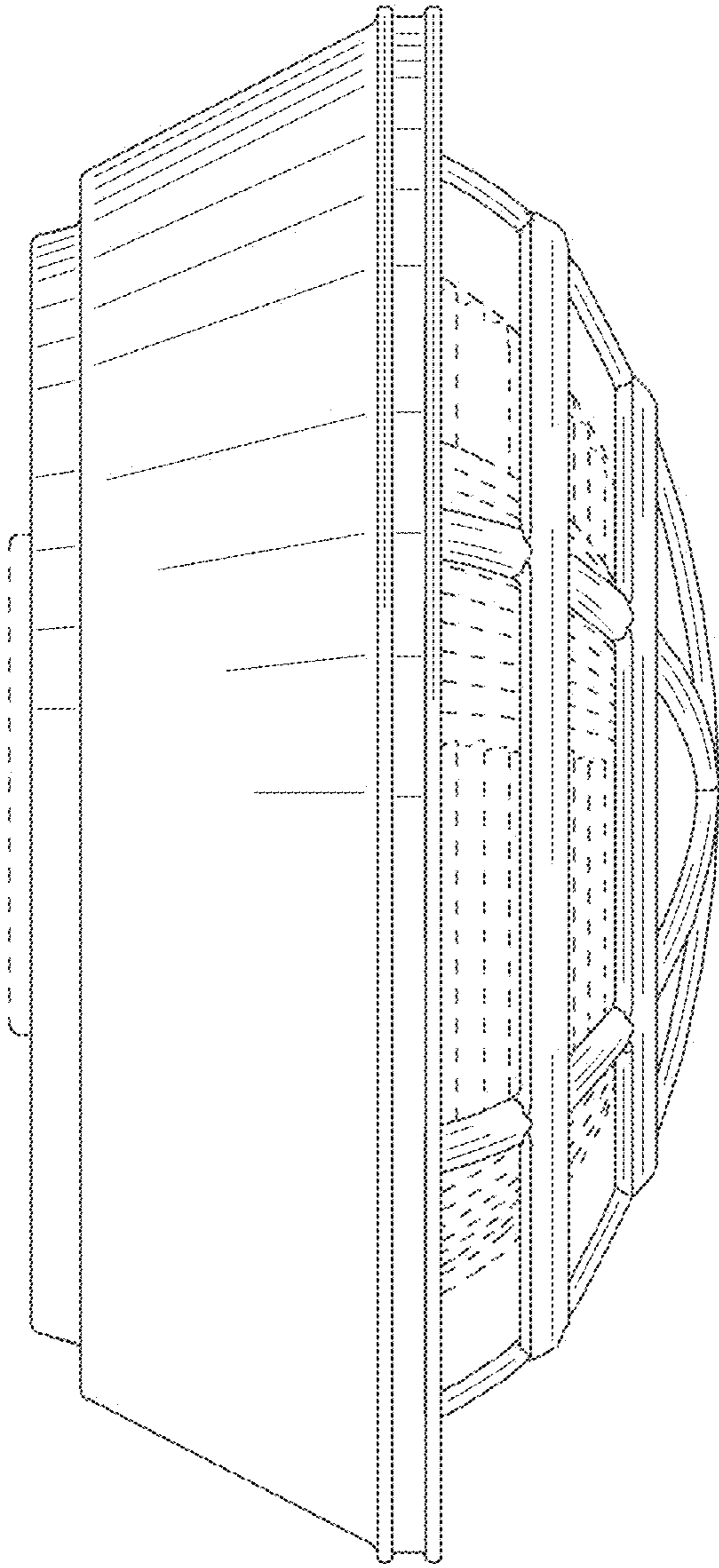


FIG. 4

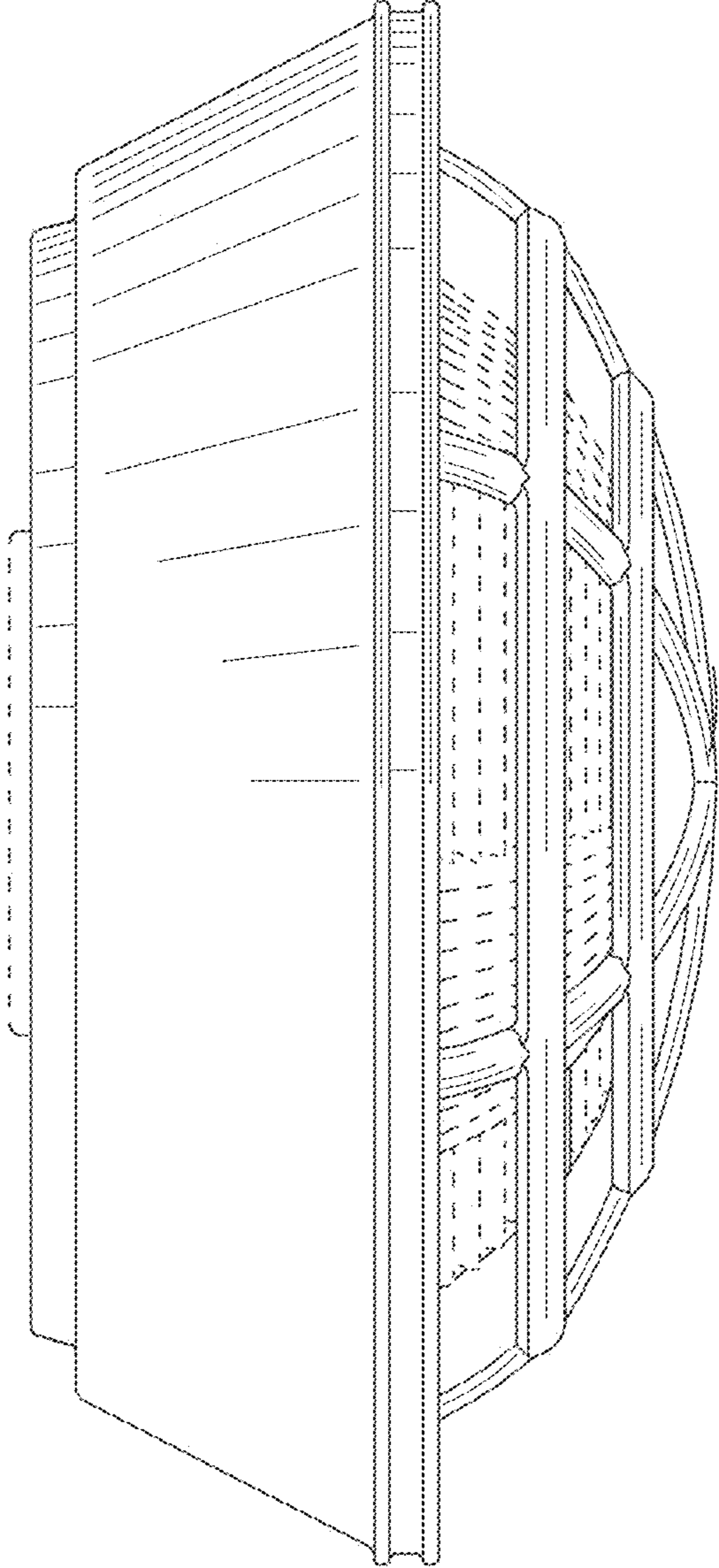


FIG. 5

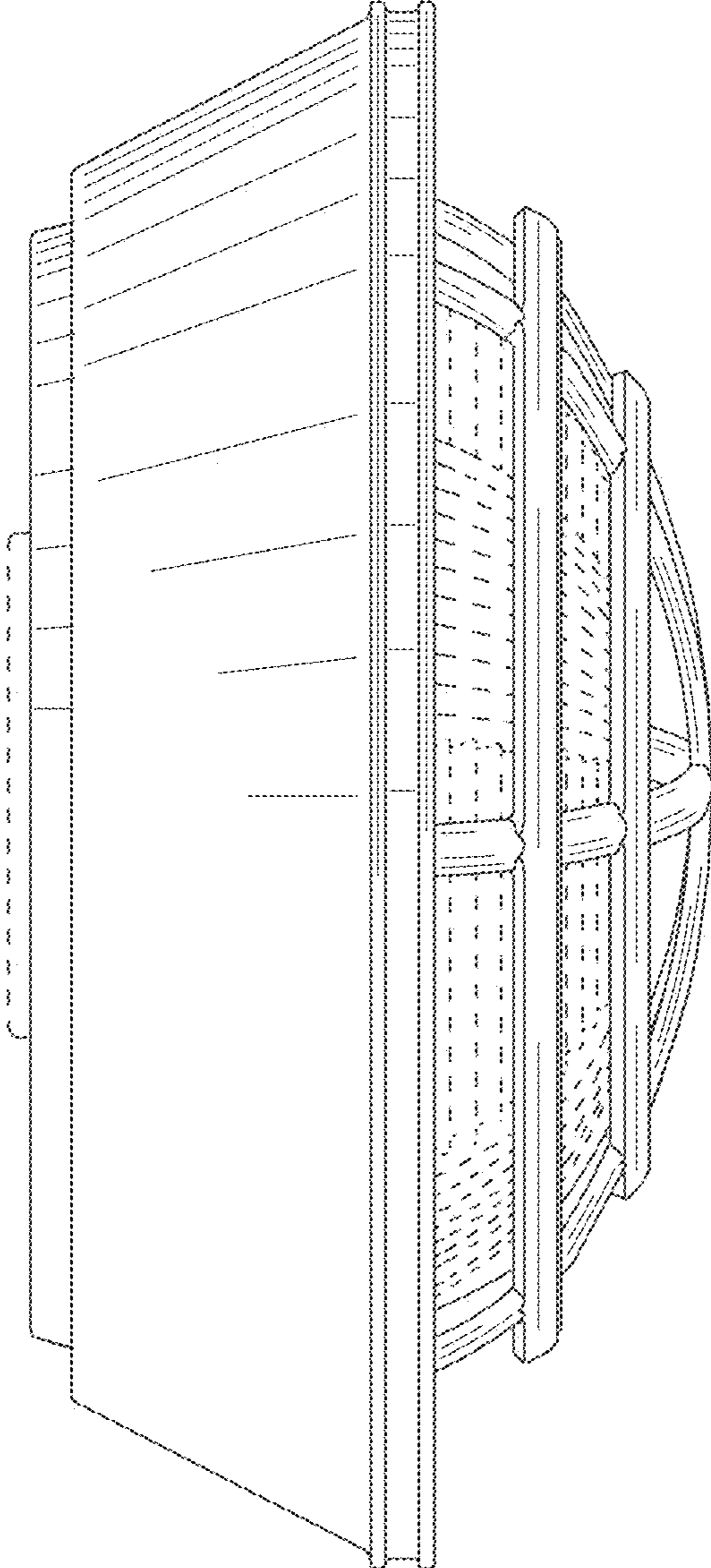


FIG. 6



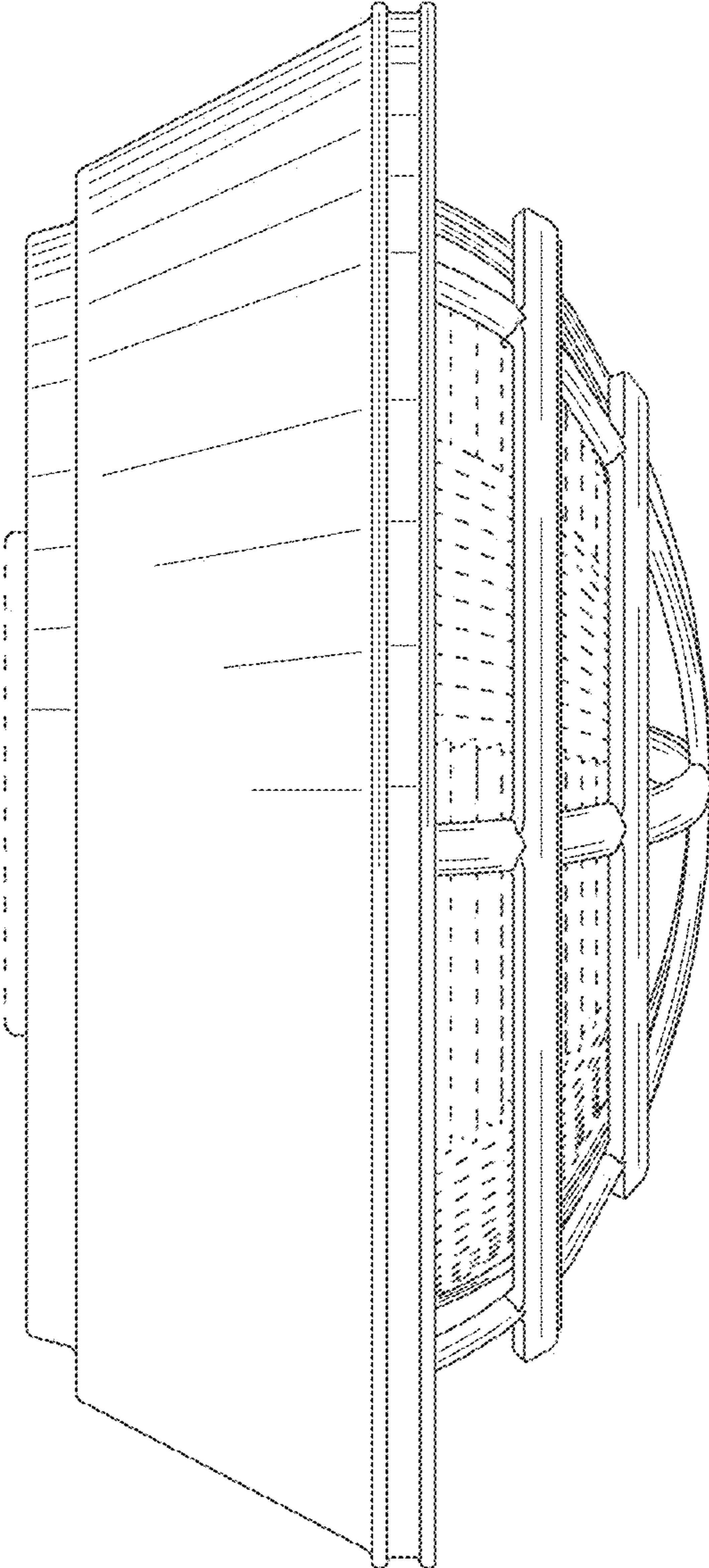


FIG. 7