



(12) **United States Design Patent** (10) **Patent No.:** **US D989,369 S**
Tao (45) **Date of Patent:** **** Jun. 13, 2023**

(54) **COMBINED LED LIGHT AND SPEAKER**

(71) Applicant: **Ping Tao**, Guangdong (CN)
 (72) Inventor: **Ping Tao**, Guangdong (CN)
 (73) Assignee: **Shenzhen honggao Intelligent Technology Co., Ltd**, Shenzhen (CN)

(**) Term: **15 Years**

(21) Appl. No.: **29/787,636**

(22) Filed: **Jun. 8, 2021**

(51) **LOC (14) Cl.** **26-05**

(52) **U.S. Cl.**
 USPC **D26/52**

(58) **Field of Classification Search**
 USPC D26/24, 40, 52, 54, 104; D10/5, 21, 22
 CPC F21Y 2115/10; F21V 33/0056
 See application file for complete search history.

(56) **References Cited**

U.S. PATENT DOCUMENTS

D772,457 S * 11/2016 Lee H04R 3/005
 D26/52
 D797,575 S * 9/2017 Lai D10/22
 D829,961 S * 10/2018 Lin D26/104
 D852,405 S * 6/2019 Zeng D26/104
 D854,226 S * 7/2019 Lin D26/104
 D880,741 S * 4/2020 Duarte D26/61
 D896,808 S * 9/2020 Koh F21V 1/10
 D14/496
 11,365,865 B1 * 6/2022 Zheng F21V 1/10
 11,449,114 B2 * 9/2022 Minnehan H04R 9/06
 2021/0099779 A1 * 4/2021 Tang H04R 3/005

FOREIGN PATENT DOCUMENTS

CN 306798116 * 8/2021

OTHER PUBLICATIONS

Hexapolis | Emois smart lamp speaker is a multi-functional masterpiece, (Oct. 10, 2014), Hexapolis © 2018. [online], [site visited Dec. 3, 2022]. Available from Internet, <URL: https://www.hexapolis.com/2014/10/10/emois-smart-lamp-speaker-is-a-multi-functional-masterpiece/> (Year: 2014).*

* cited by examiner

Primary Examiner — Cary M Robinson
Assistant Examiner — Julie Marie Bailey

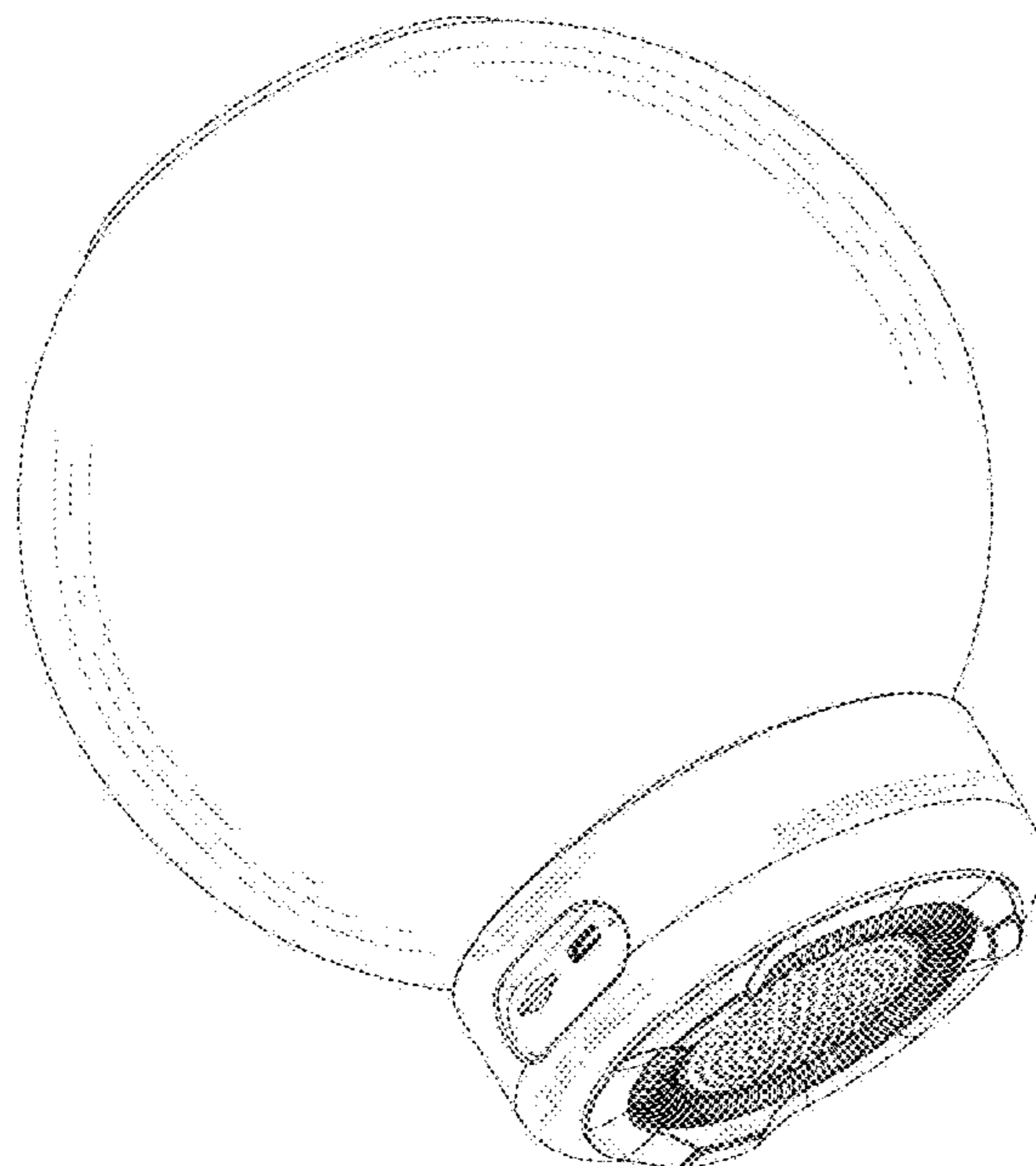
(57) **CLAIM**

The ornamental design for a combined LED light and speaker, as shown and described.

DESCRIPTION

FIG. 1 is a perspective view of a combined LED light and speaker showing my new design;
 FIG. 2 is a front elevation view thereof;
 FIG. 3 is a rear elevation view thereof;
 FIG. 4 is a left side elevation view thereof;
 FIG. 5 is a right side elevation view thereof;
 FIG. 6 is a top plan view thereof;
 FIG. 7 is a bottom plan view thereof;
 FIG. 8 is a rear, left, bottom side perspective view thereof;
 and,
 FIG. 9 is an enlarged detail view of the area shown in FIG. 3.
 The broken lines in FIGS. 3 and 9 are for the purpose of illustrating the boundaries of the enlarged section shown in FIG. 9 and form no part of the claimed design.

1 Claim, 9 Drawing Sheets



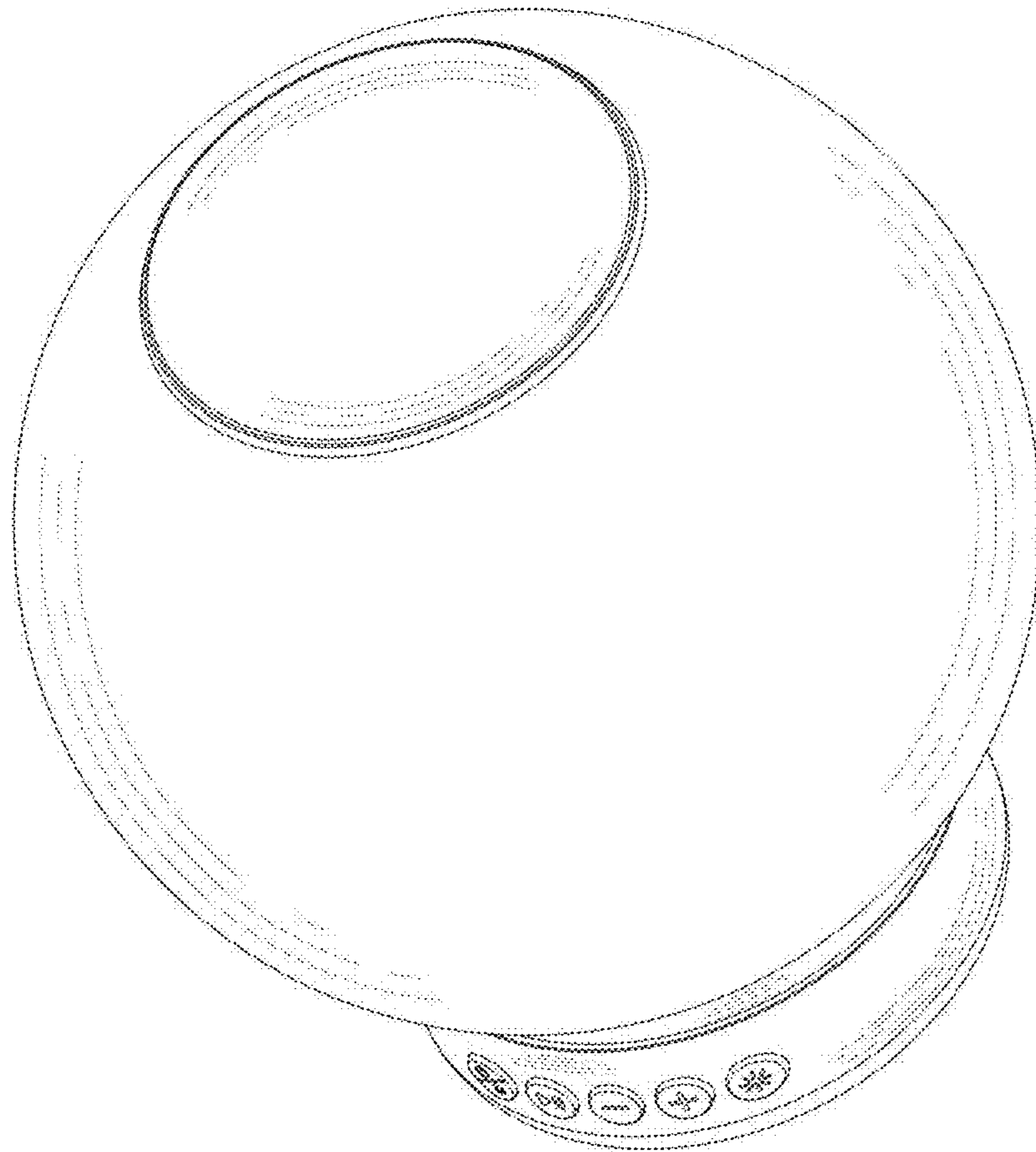


FIG. 1

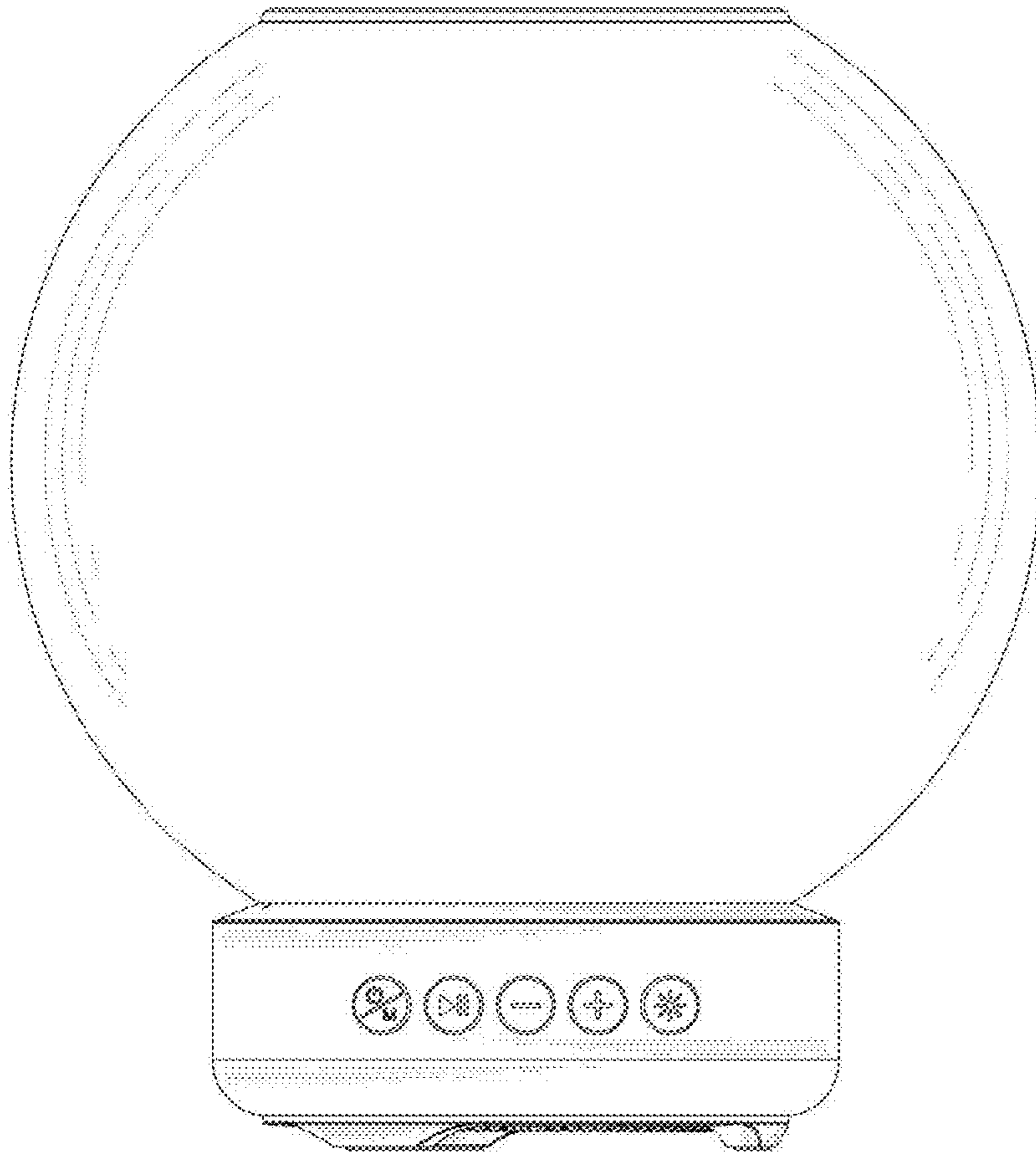
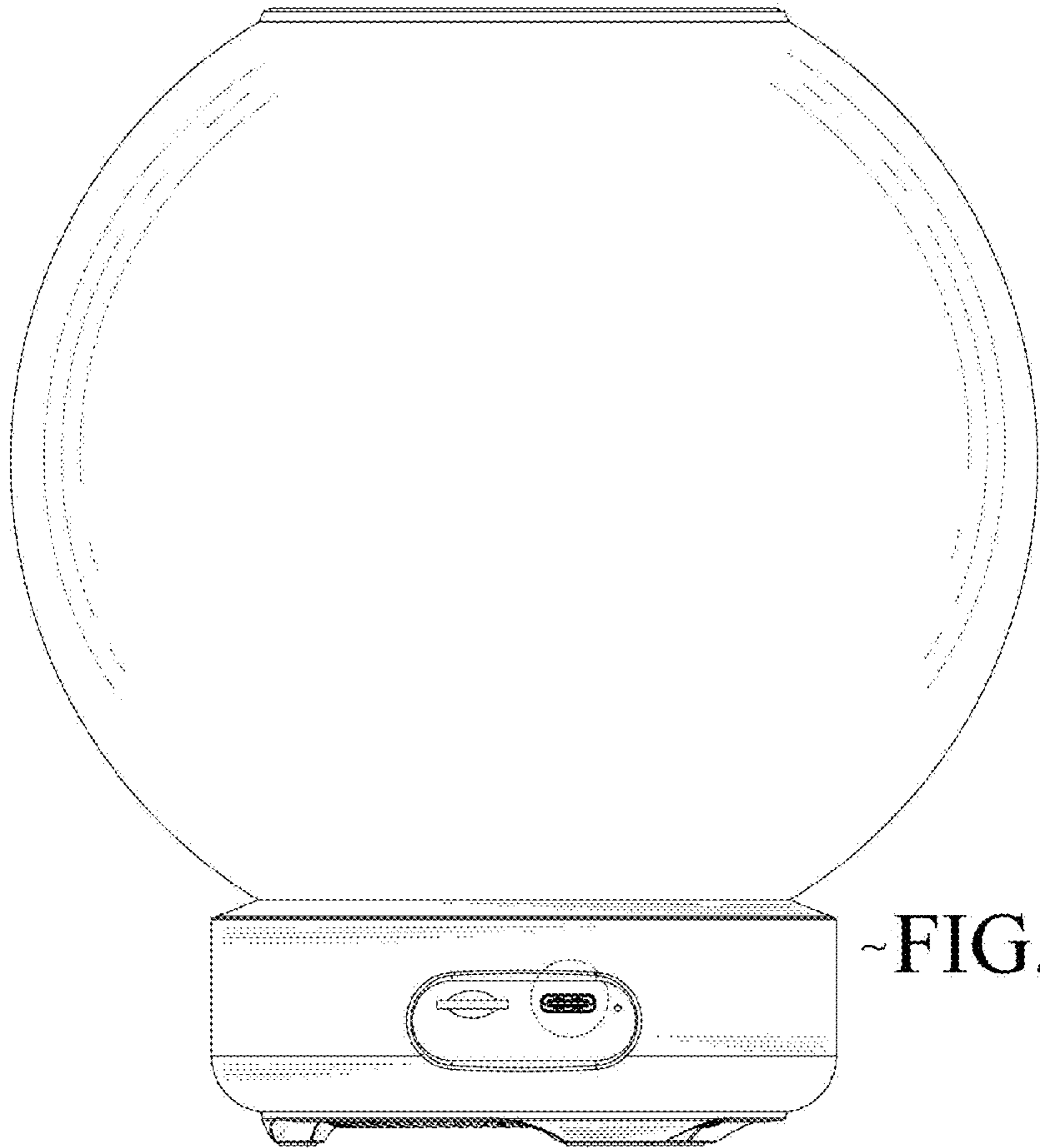


FIG. 2



~FIG. 9

FIG. 3

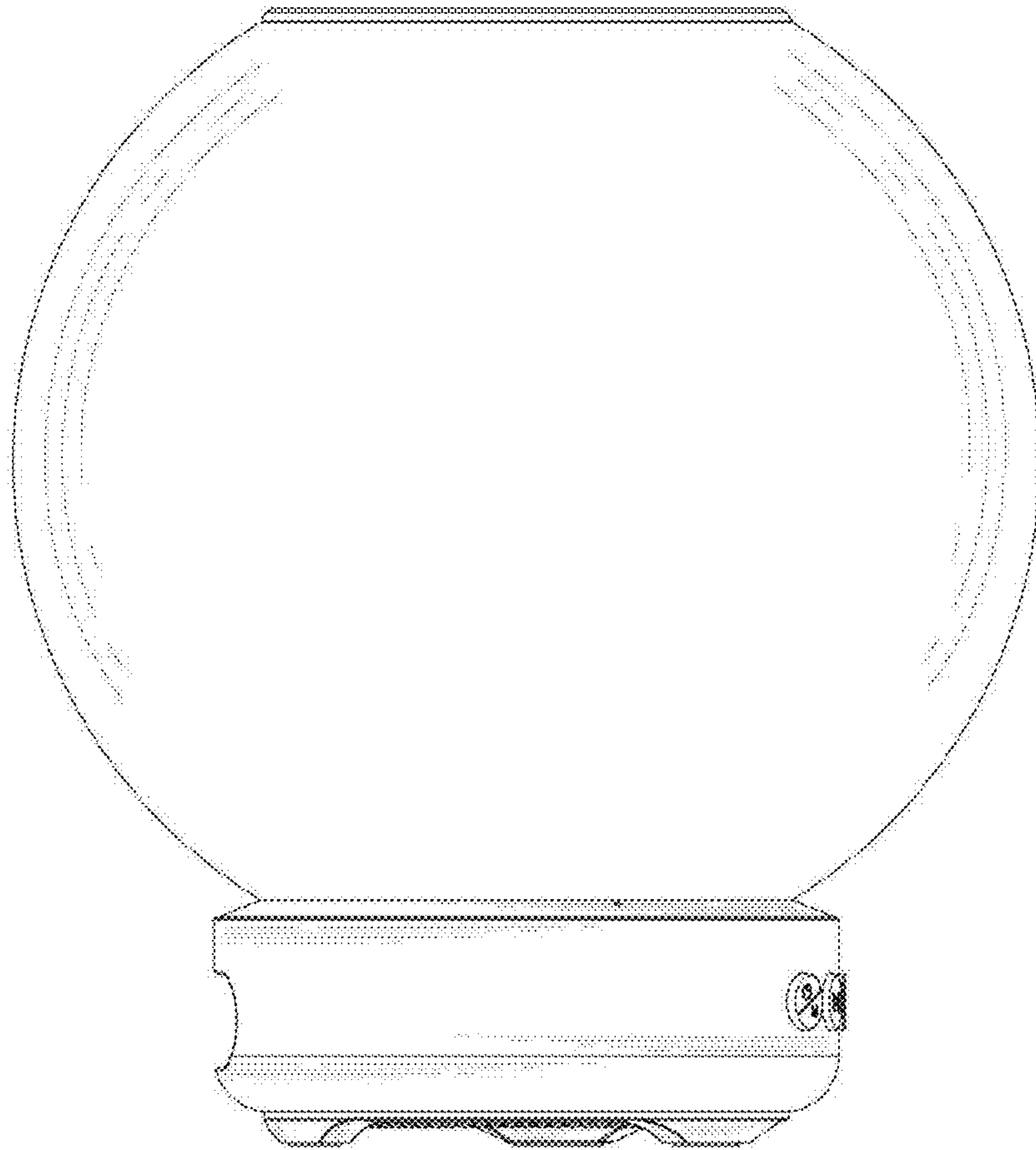


FIG. 4

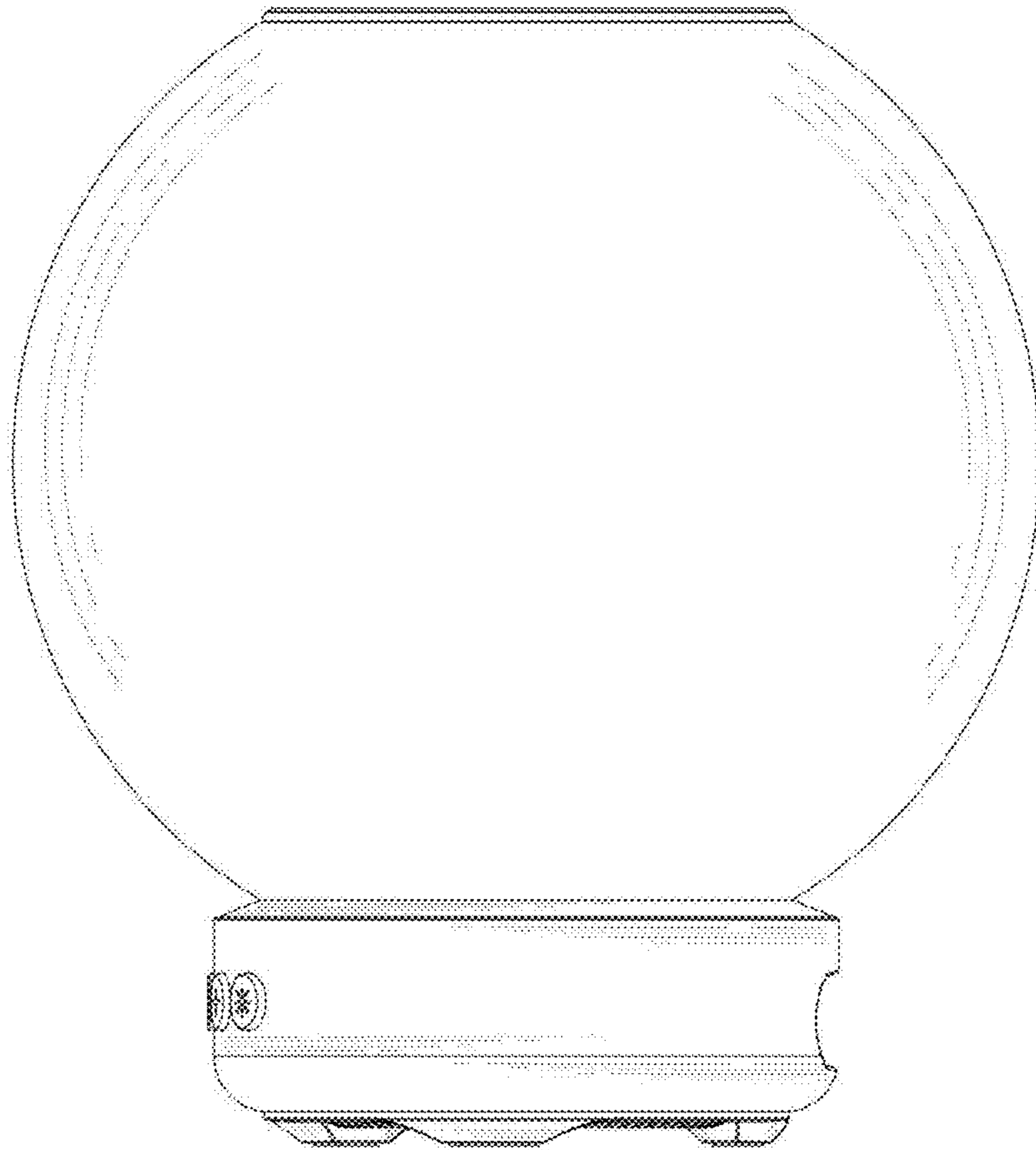


FIG. 5

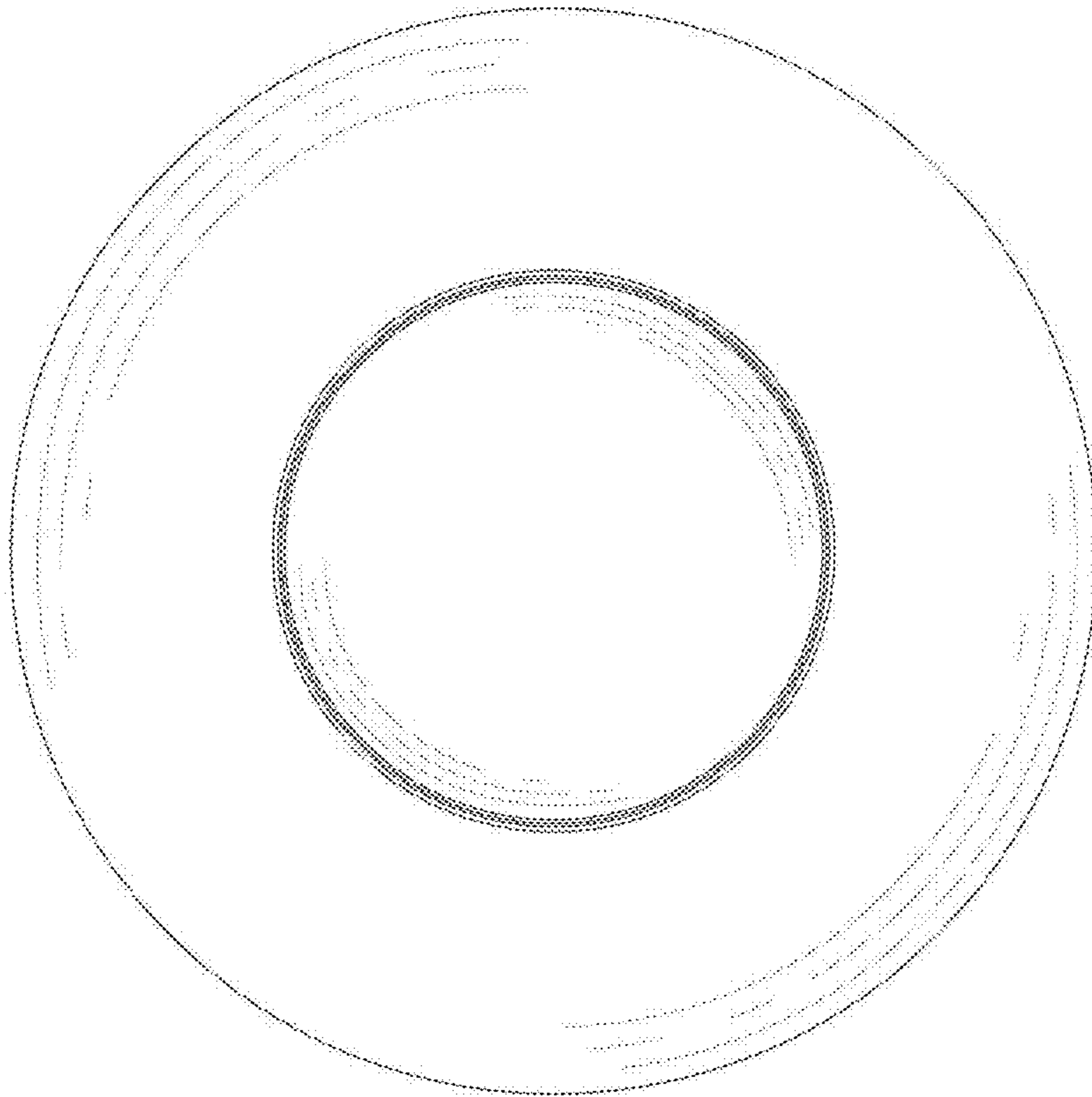


FIG. 6

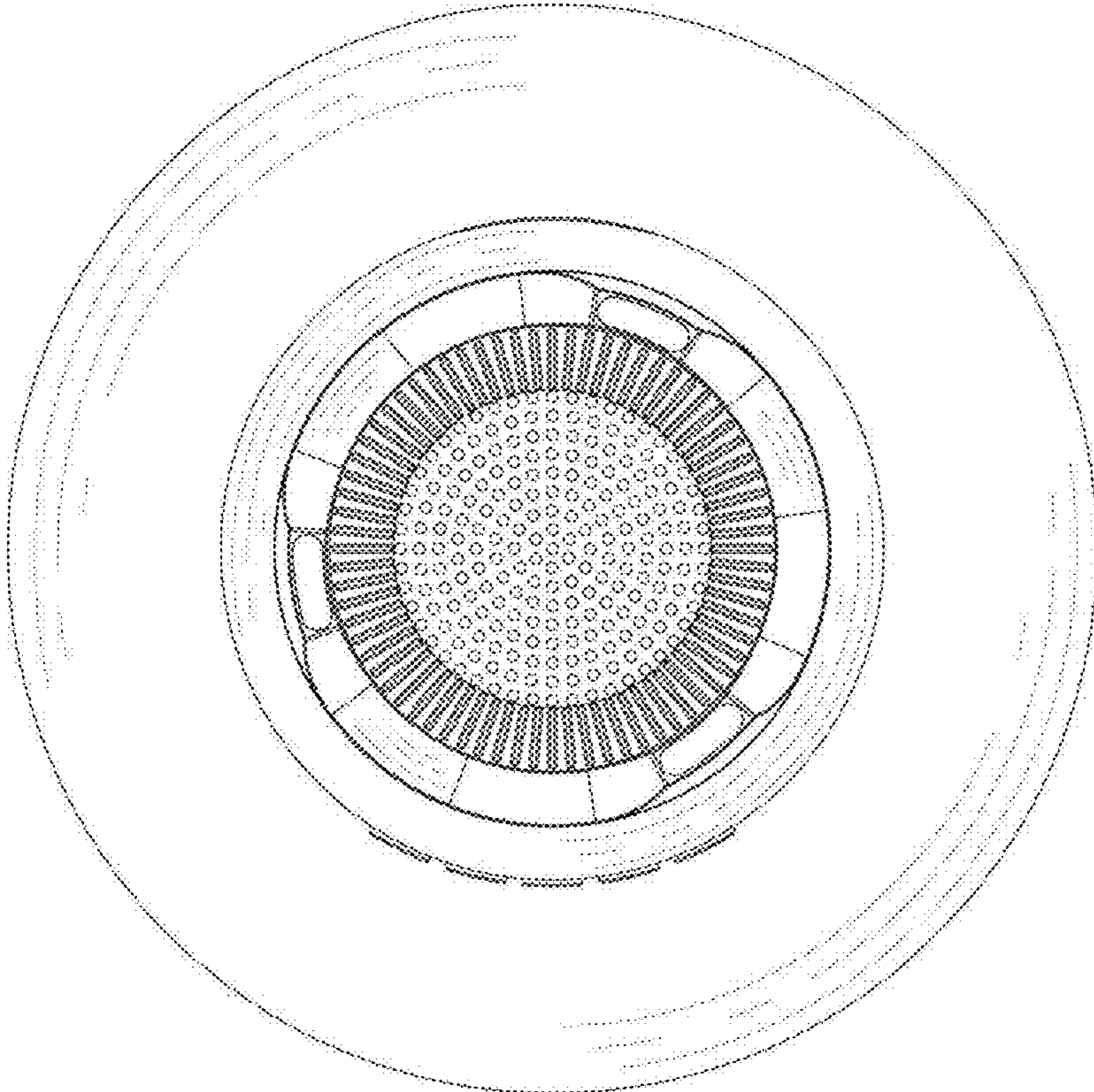


FIG. 7

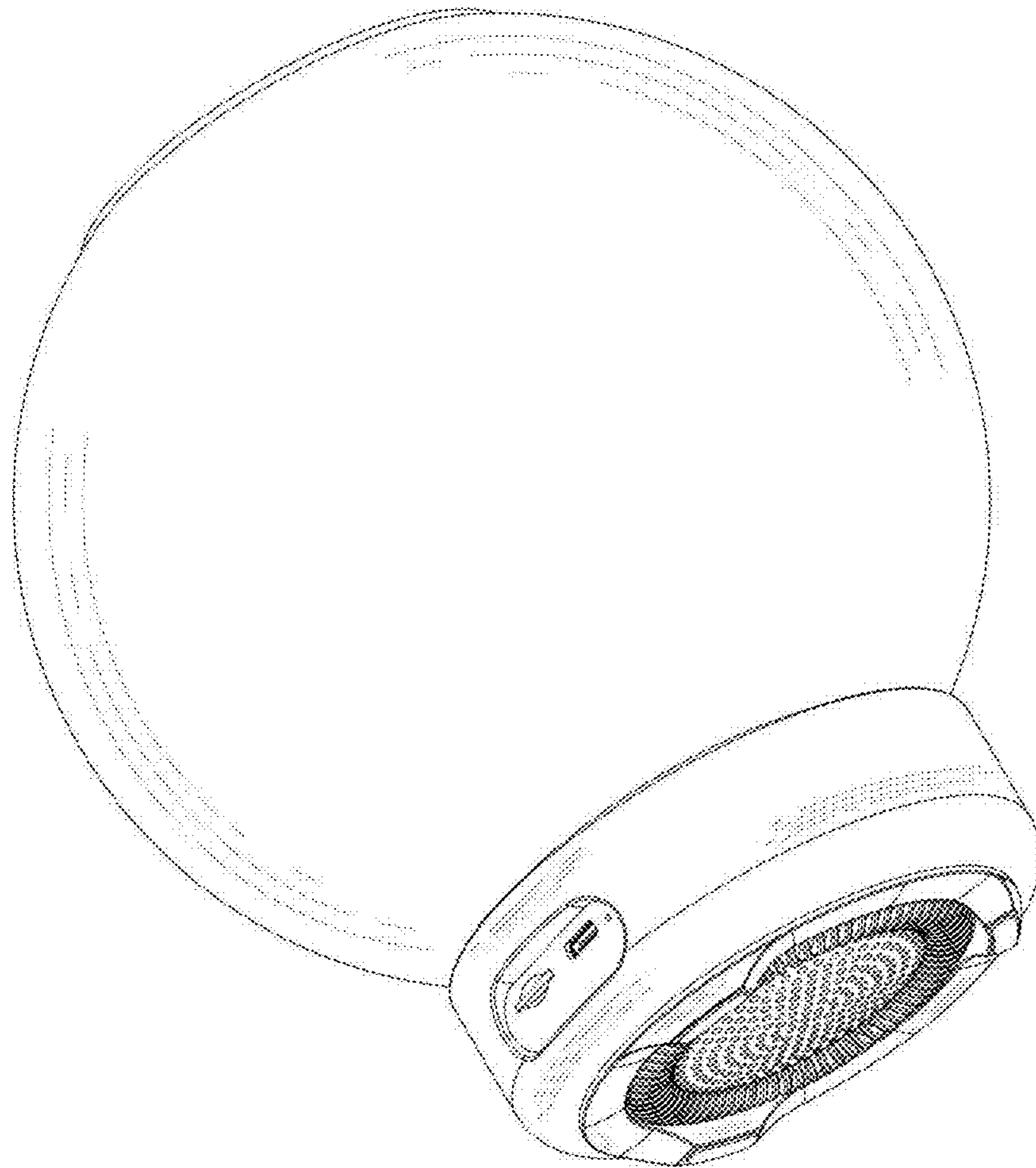


FIG. 8

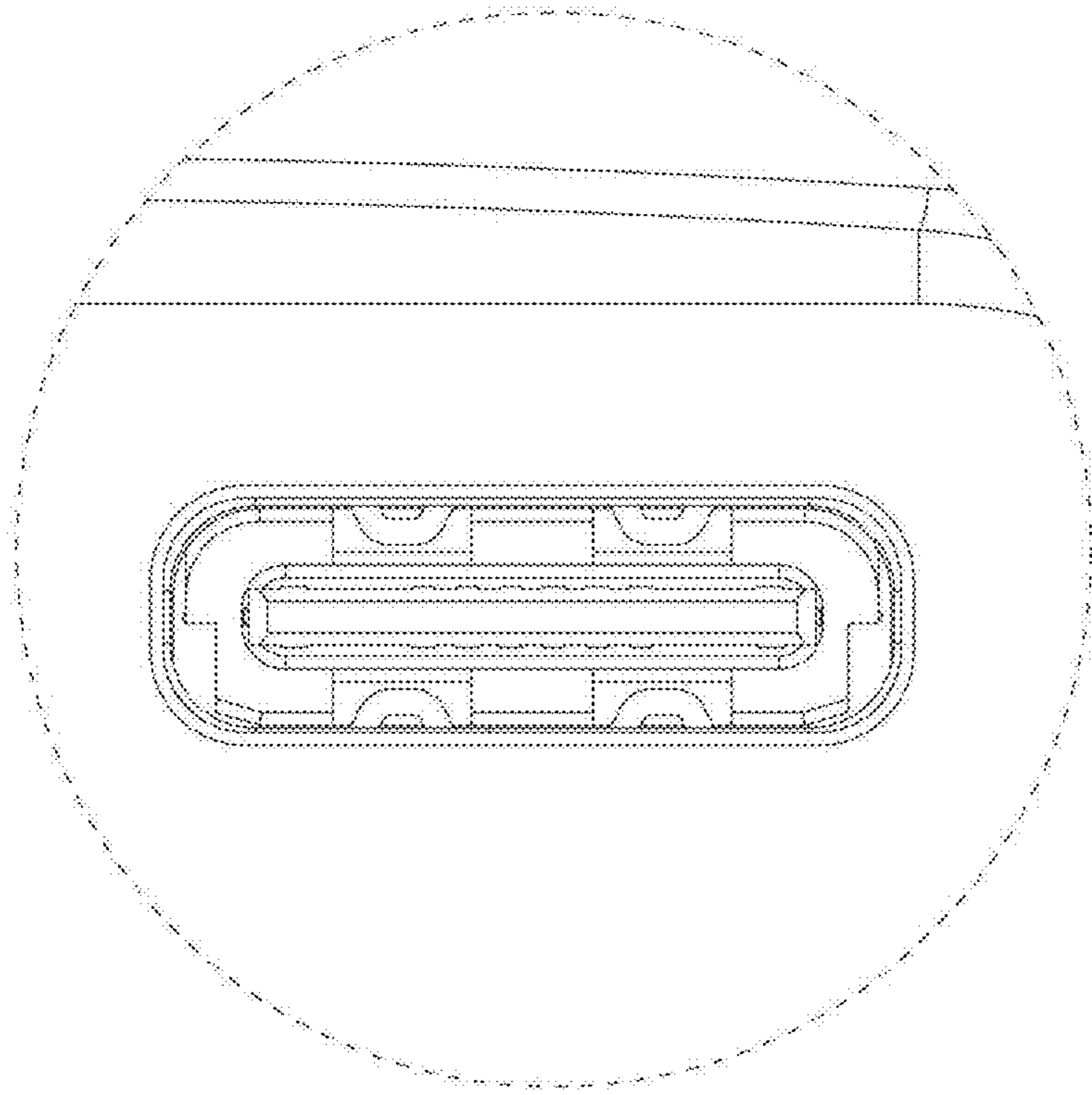


FIG. 9