



US00D989368S

(12) **United States Design Patent** (10) **Patent No.:** **US D989,368 S**  
**Workman et al.** (45) **Date of Patent:** **\*\* \*Jun. 13, 2023**

(54) **LANTERN**

- (71) Applicant: **Barebones Systems, LLC**, Salt Lake City, UT (US)
- (72) Inventors: **Robert Emmett Workman**, Morgan, UT (US); **David Jared Burton**, Payson, UT (US)
- (73) Assignee: **BAREBONES SYSTEMS, LLC**, Salt Lake City, UT (US)
- (\*) Notice: This patent is subject to a terminal disclaimer.
- (\*\*) Term: **15 Years**
- (21) Appl. No.: **29/751,739**
- (22) Filed: **Sep. 23, 2020**
- (51) **LOC (14) Cl.** ..... **26-02**
- (52) **U.S. Cl.**  
USPC ..... **D26/40**
- (58) **Field of Classification Search**  
USPC ..... D26/24, 37-52, 60, 72, 80-81, 88, 93,  
D26/96, 104-107, 113-114, 118-120,  
D26/123-124, 138  
CPC ..... F21Y 2115/10; F21Y 2101/00  
See application file for complete search history.

(56) **References Cited**

**U.S. PATENT DOCUMENTS**

D21,421	S	*	3/1892	Wright	.....	D26/40
1,553,538	A	*	9/1925	Kelly	.....	362/180
2,179,056	A	*	11/1939	Schmiedel	.....	F21L 21/00
						362/180
D491,302	S	*	6/2004	Krieger	.....	D26/40
D505,216	S	*	5/2005	Chen	.....	D26/40
D576,329	S	*	9/2008	Poon	.....	D26/40
D670,013	S	*	10/2012	Bertken	.....	D26/40
D851,810	S	*	6/2019	Workman	.....	D26/88
D935,660	S	*	11/2021	Wang	.....	D26/40

**FOREIGN PATENT DOCUMENTS**

CN 306280367 \* 1/2021

**OTHER PUBLICATIONS**

Barebones Edison Mini Lantern. By Barebones. Dated Mar. 17, 2020. Found online [Jan. 6, 2022]. <https://www.amazon.com/Barebones-Copper-Edison-Mini-Lantern/dp/B084HLQGQ7> (Year: 2020).\*

Edison Mini Lantern. By Barebones. Dated Jun. 22, 2020. Found online [Jan. 6, 2022]. <https://barebonesliving.com/collections/outdoor-lighting/products/mini-edison-lantern?variant=31855072346202> (Year: 2020).\*

\* cited by examiner

*Primary Examiner* — Marissa J Cash

*Assistant Examiner* — William B Melliar

(74) *Attorney, Agent, or Firm* — Morriss O'Bryant  
Compagni Cannon, PLLC

(57) **CLAIM**

The ornamental design for a lantern, as shown and described.

**DESCRIPTION**

FIG. 1 is a top left side perspective front side view of a lantern of the present invention;

FIG. 2 is a bottom back side perspective front side view of a lantern of the present invention;

FIG. 3 is a front side view of the lantern;

FIG. 4 is a back side view of the lantern;

FIG. 5 is a right side view of the lantern;

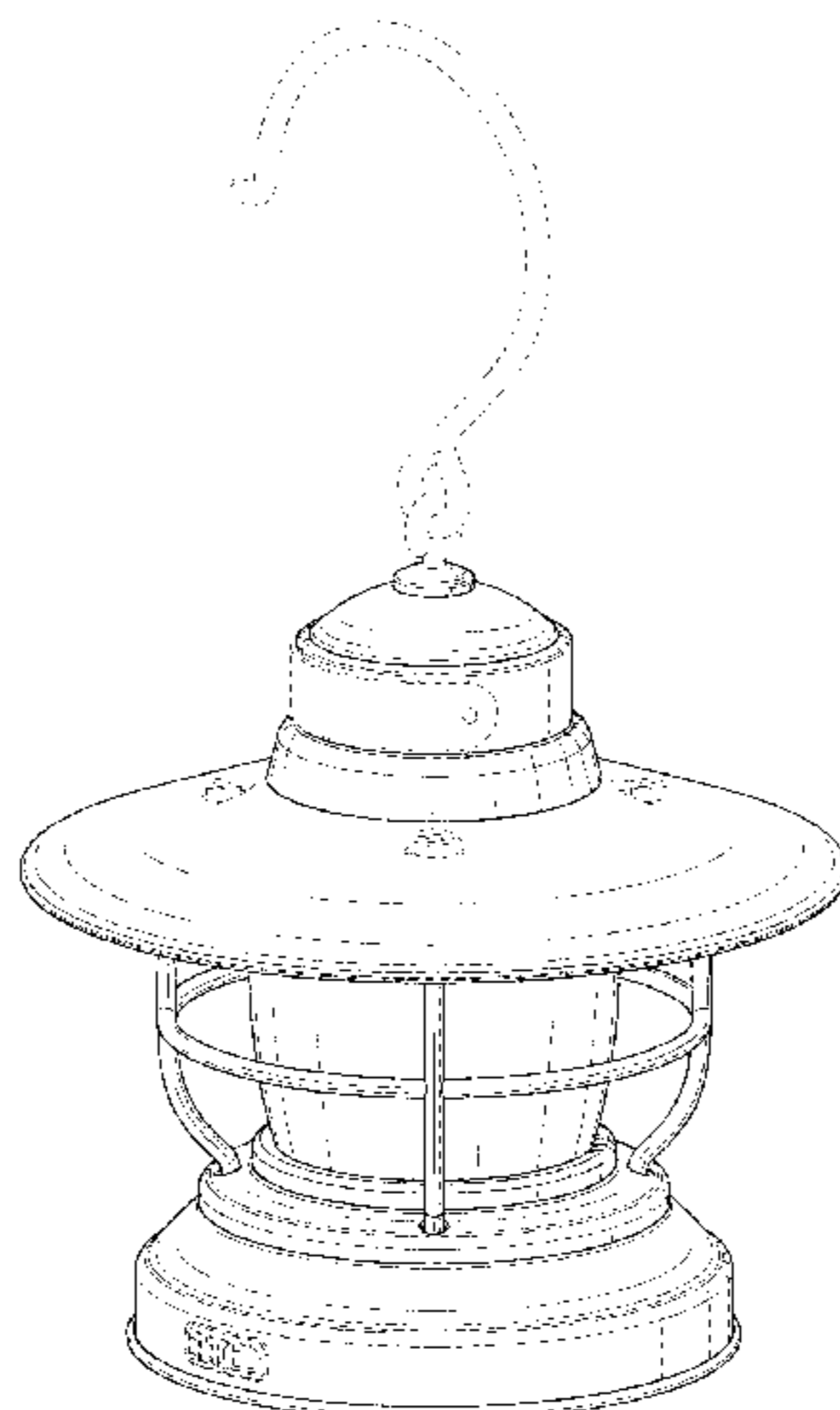
FIG. 6 is a left side view of the lantern;

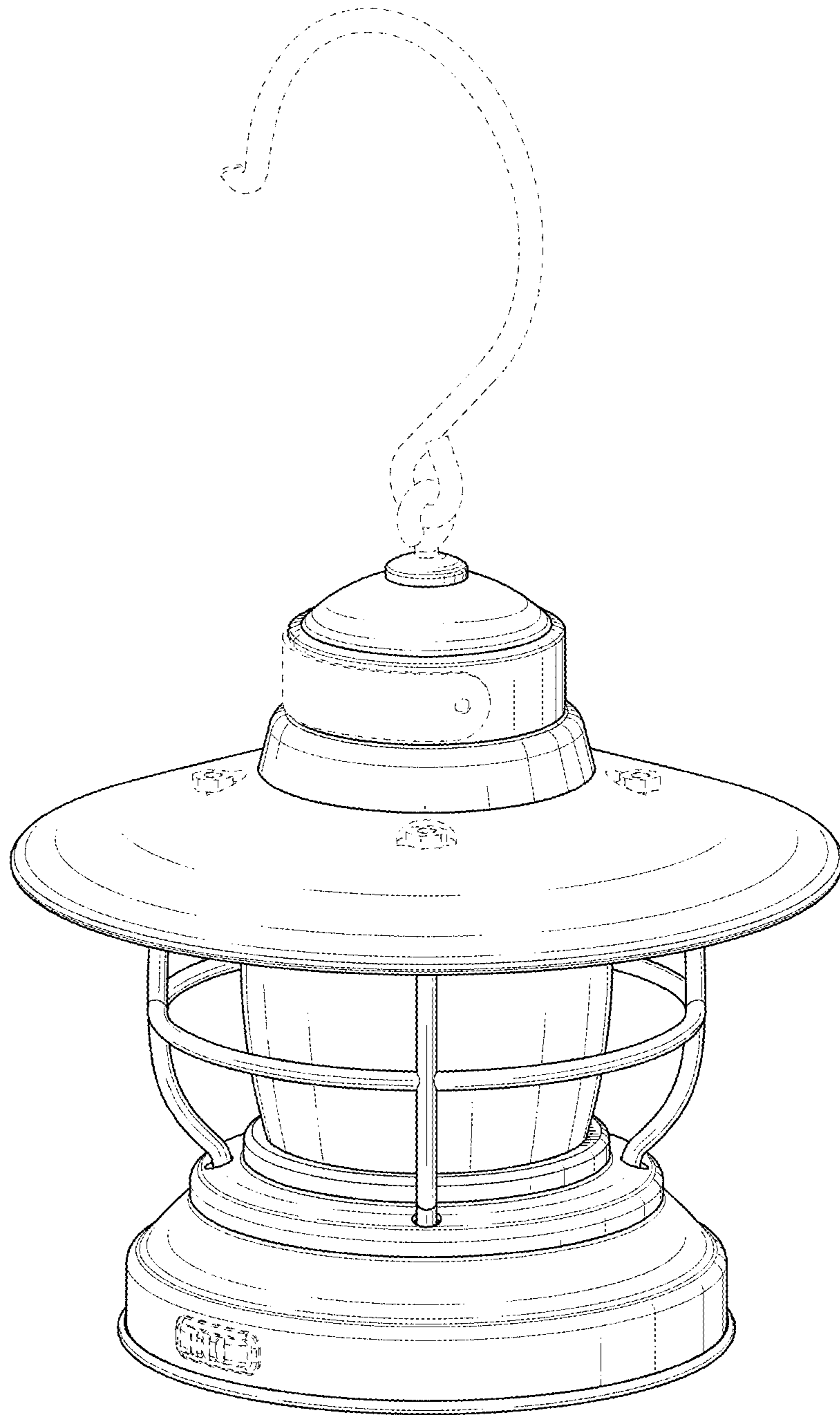
FIG. 7 is a top side view of the lantern; and,

FIG. 8 is a bottom side view of the lantern.

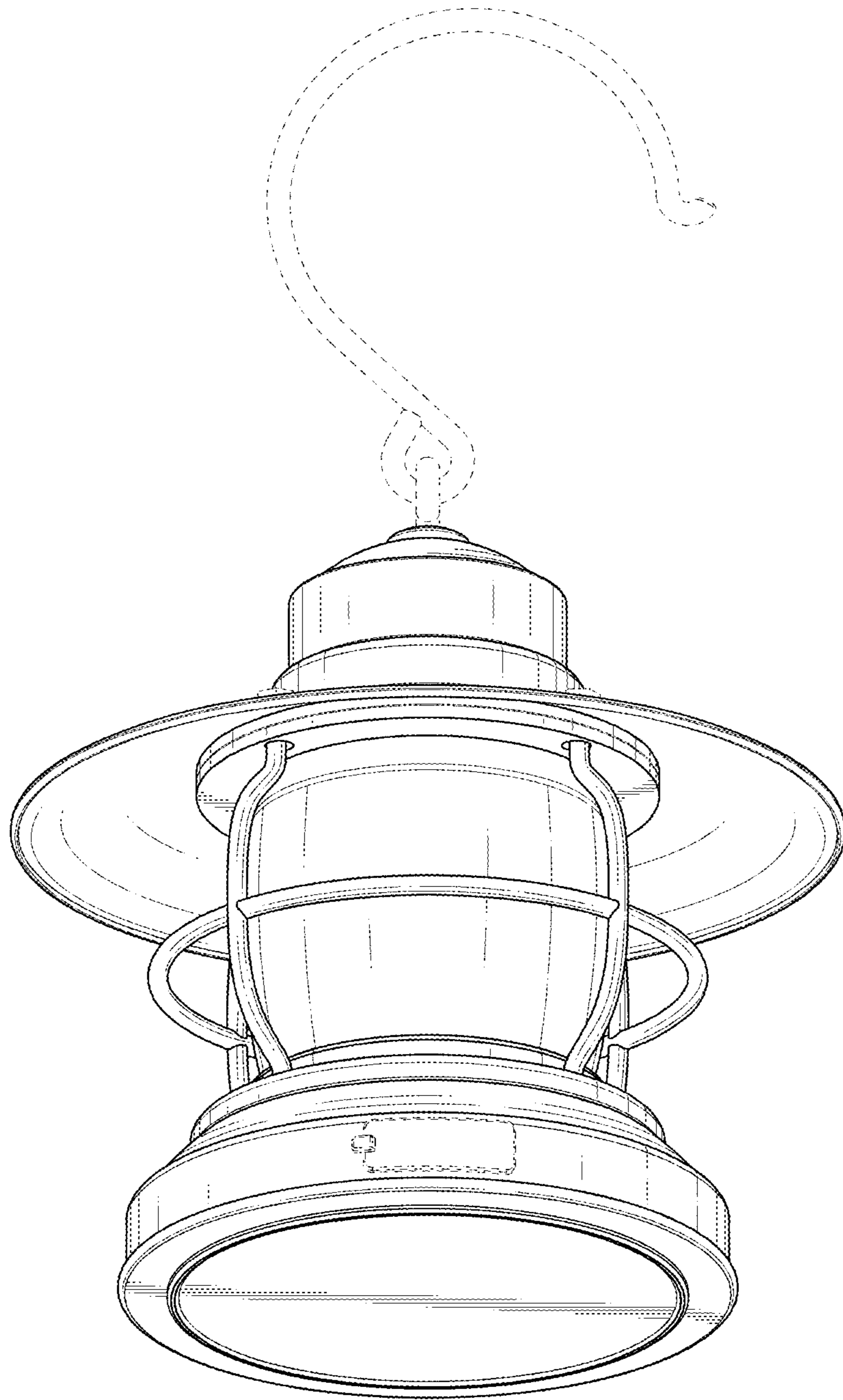
The broken lines in the drawings depict portions of the lantern that form no part of the claimed design.

**1 Claim, 8 Drawing Sheets**

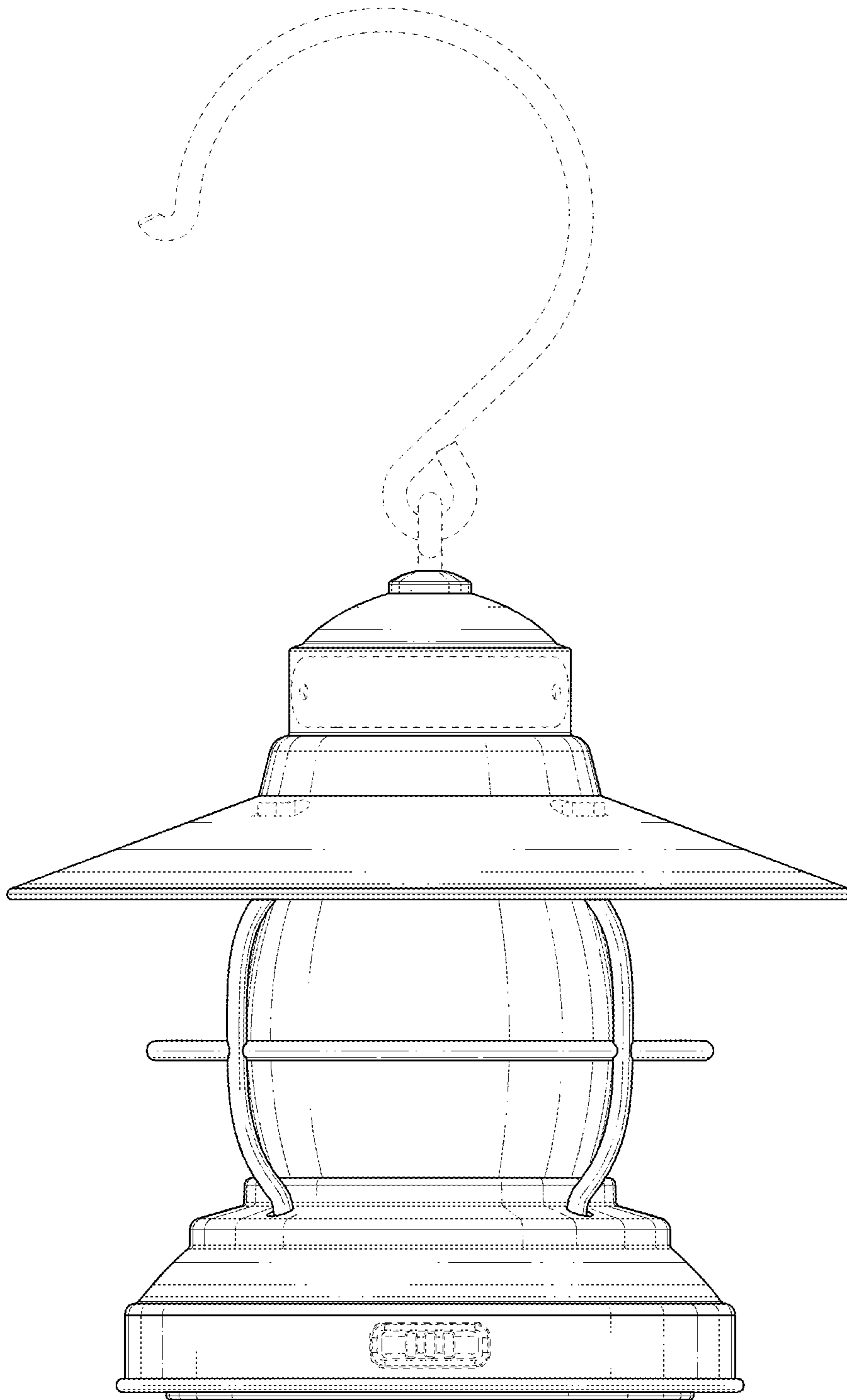




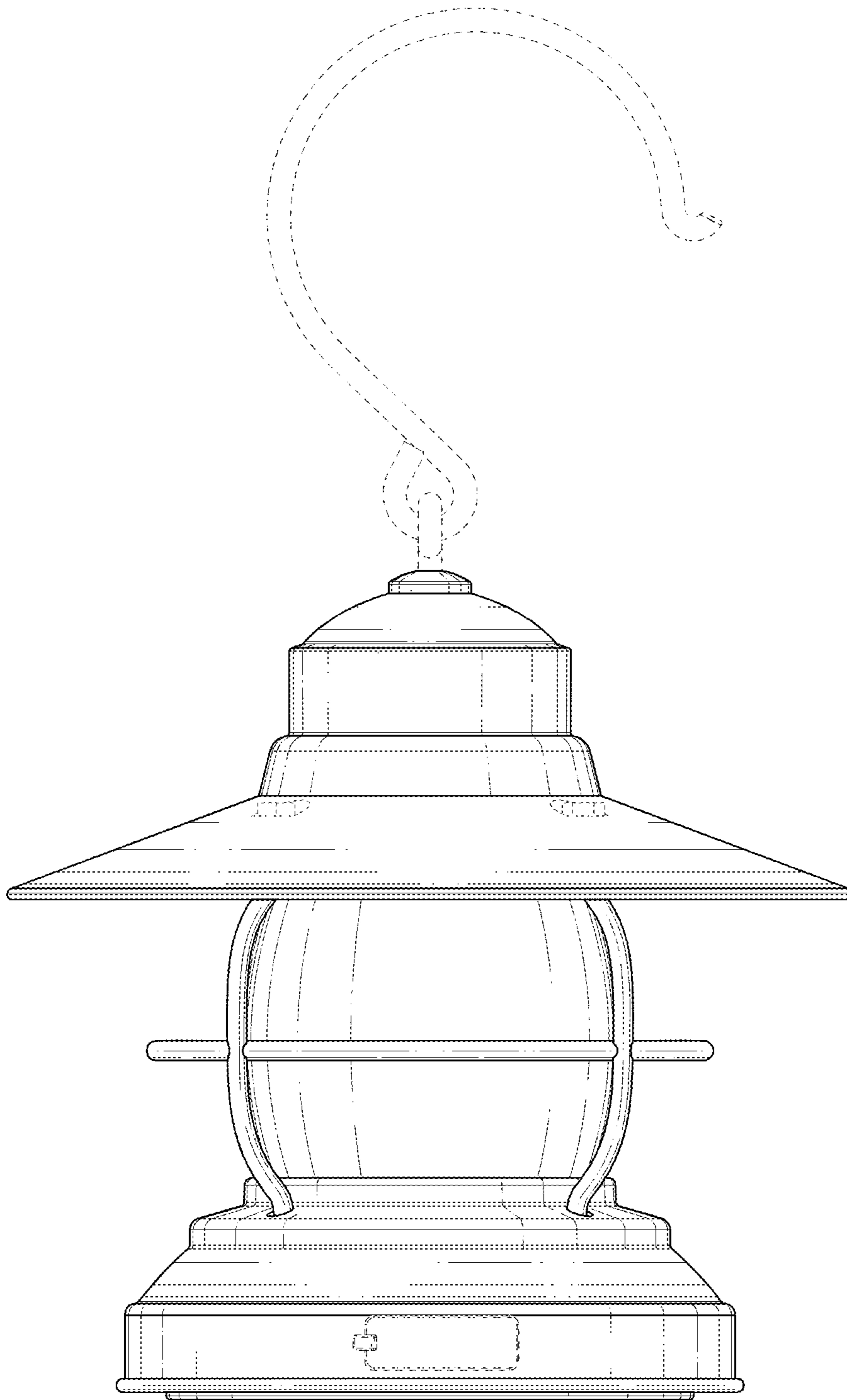
**FIG. 1**



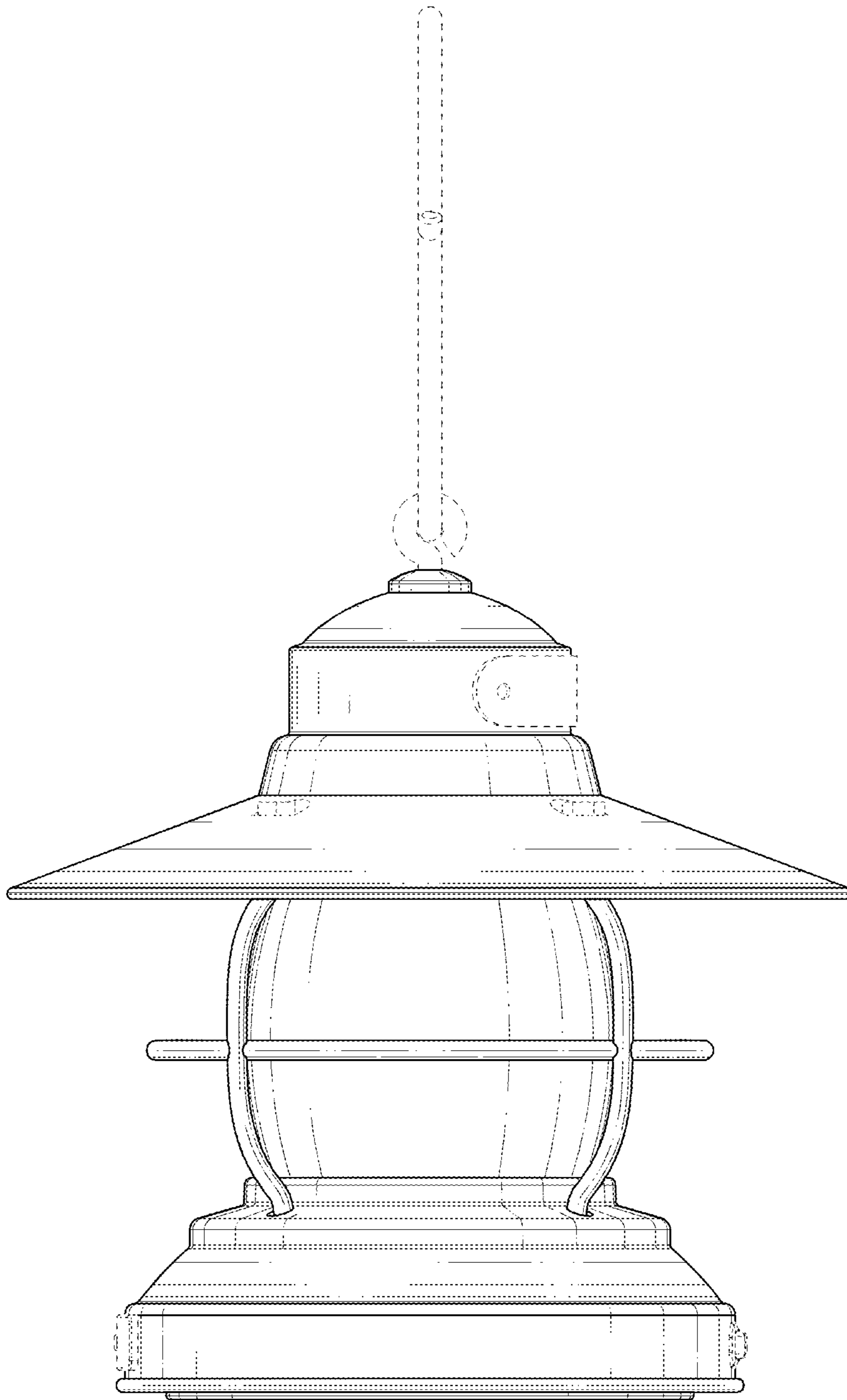
**FIG. 2**



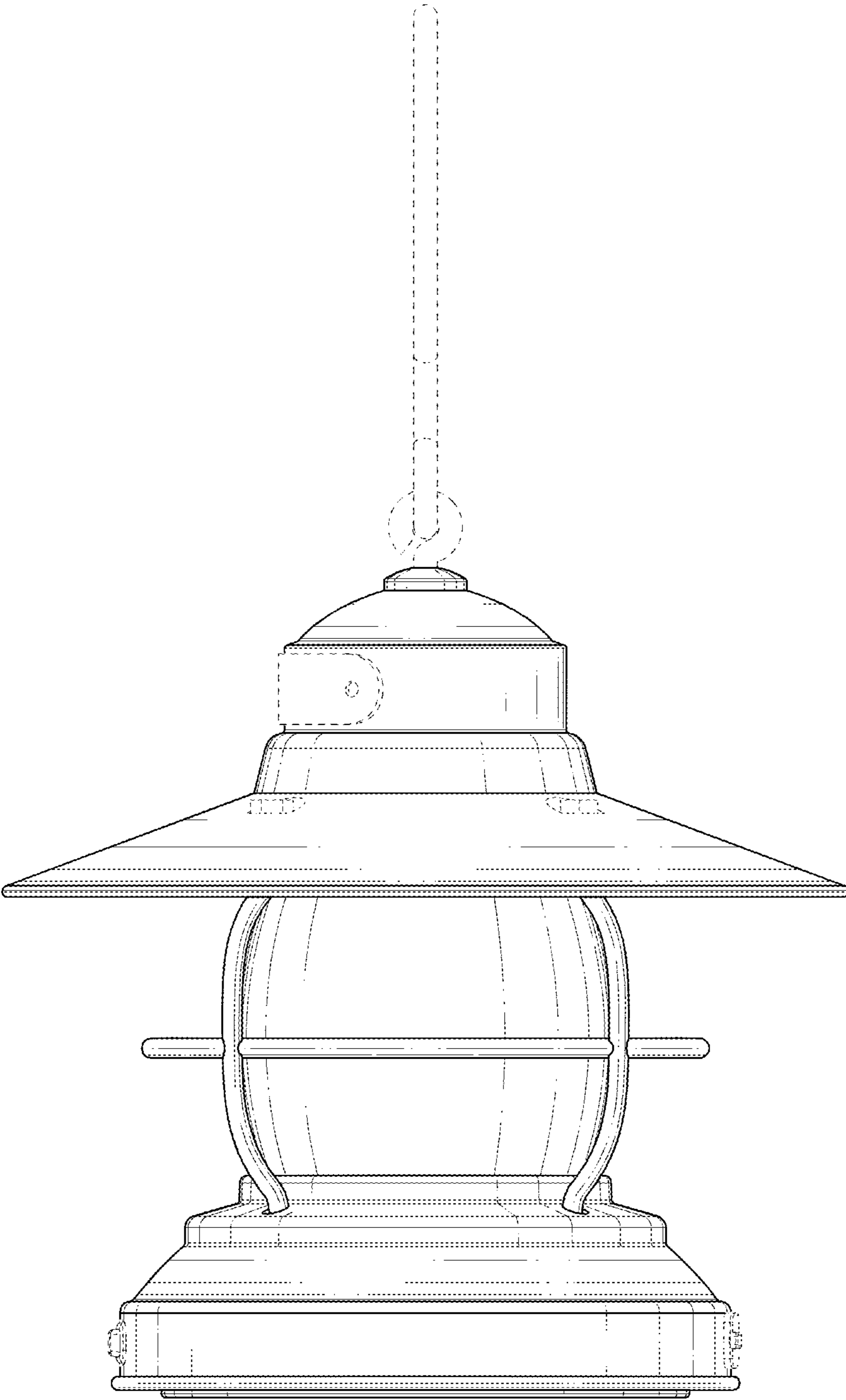
**FIG. 3**



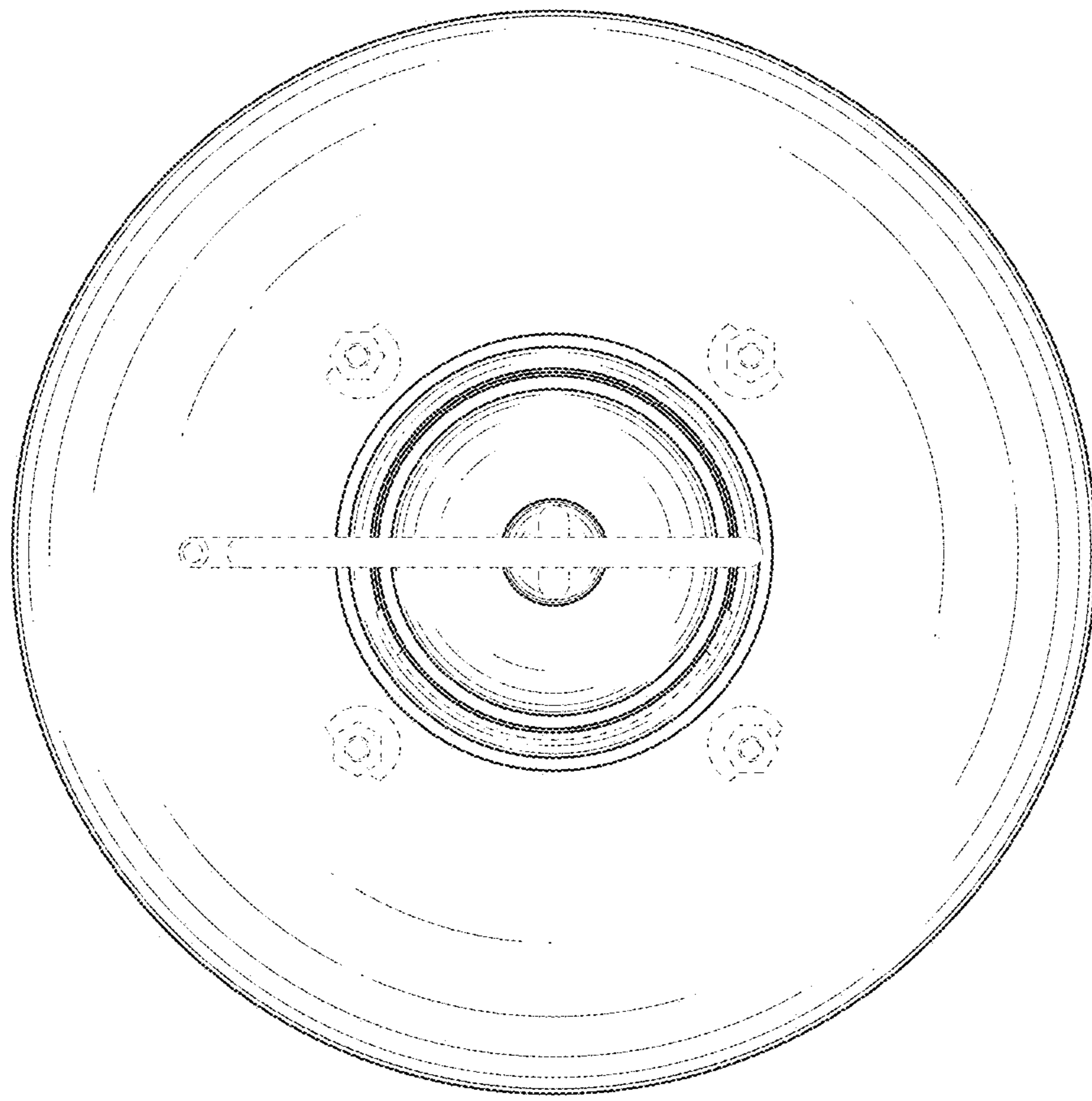
**FIG. 4**



**FIG. 5**

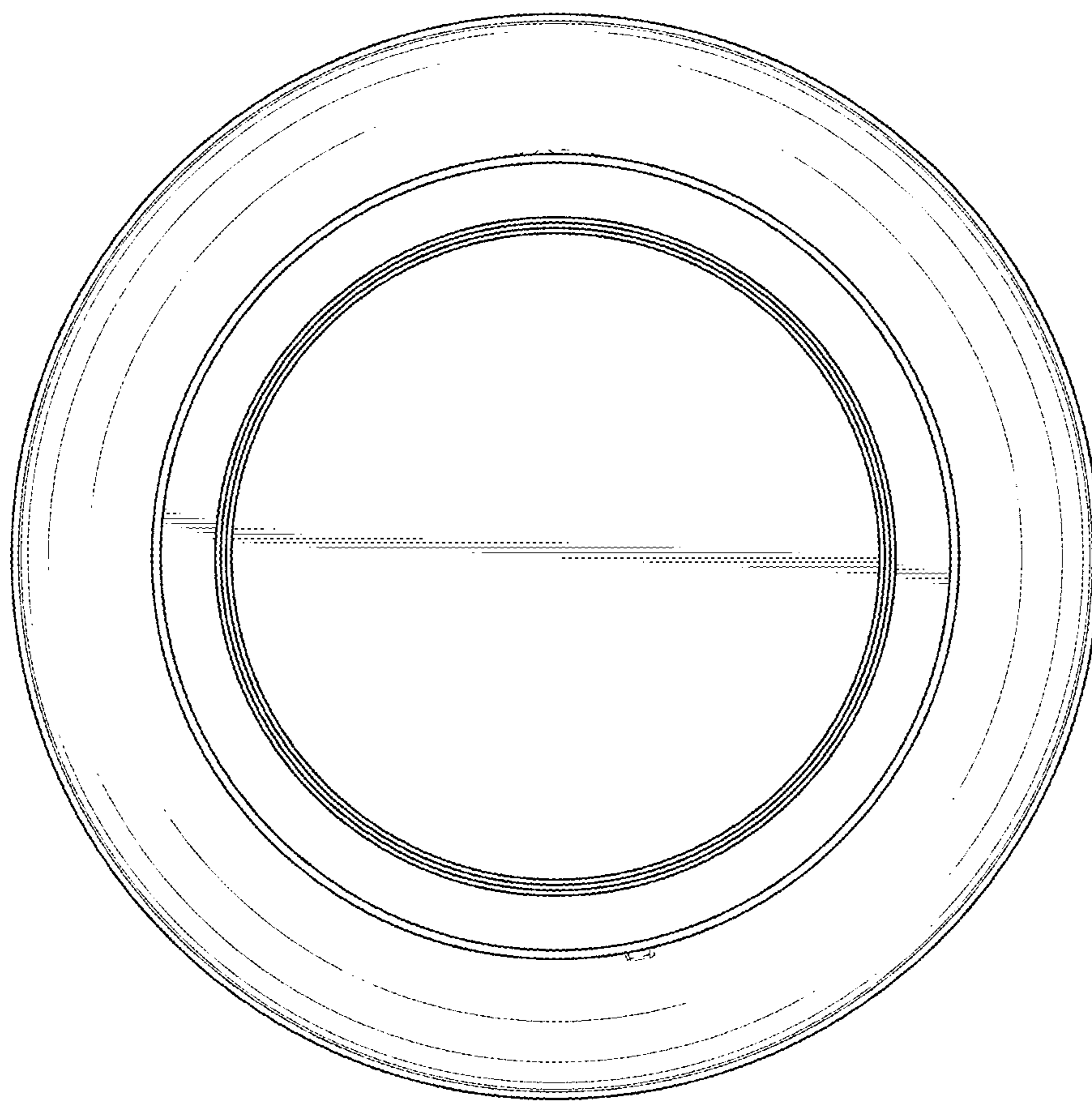


**FIG. 6**



**FIG. 7**





**FIG. 8**