



US00D989367S

(12) **United States Design Patent** (10) **Patent No.:** **US D989,367 S**
Kim (45) **Date of Patent:** **** Jun. 13, 2023**

(54) **MEDICAL LIGHTING DEVICE**
(71) Applicant: **Joonheon Kim**, Chuncheon-si (KR)
(72) Inventor: **Joonheon Kim**, Chuncheon-si (KR)
(**) Term: **15 Years**

D706,474 S * 6/2014 Ferguson D26/39
D713,575 S * 9/2014 Ferguson D26/39
D901,737 S * 11/2020 Neeley F21L 4/00
D26/39

(21) Appl. No.: **35/512,772**
(22) Filed: **Apr. 22, 2021**

FOREIGN PATENT DOCUMENTS

IN 328593-001-0001 * 9/2021

(80) **Hague Agreement Data**
Int. Filing Date: **Apr. 22, 2021**
Int. Reg. No.: **DM/214419**
Int. Reg. Date: **Apr. 22, 2021**
Int. Reg. Pub. Date: **Oct. 22, 2021**

OTHER PUBLICATIONS

Dr. Kim Shadowless Headlamp. By Trycare Digital. Dated Apr. 23, 2018. Found online [Jul. 25, 2022]. <https://www.youtube.com/watch?v=flQh6cD1LHA> (Year: 2018).*

* cited by examiner

(30) **Foreign Application Priority Data**

Apr. 20, 2021 (KR) 30-2021-0019073

Primary Examiner — Mark A Goodwin
Assistant Examiner — William B Melliar
(74) *Attorney, Agent, or Firm* — Sughrue Mion, PLLC

(51) **LOC (14) Cl.** **26-02**

(57) **CLAIM**

(52) **U.S. Cl.**
USPC **D26/39**

The ornamental design for a medical lighting device, as shown and described.

(58) **Field of Classification Search**
USPC D26/24, 37-52, 113; D24/231
CPC F21Y 2115/10; F21Y 2103/10; F21Y 2101/00; F21Y 2113/13; F21V 21/084; F21V 23/0414; F21V 21/145; F21V 21/0965; F21V 21/0885
See application file for complete search history.

DESCRIPTION

- 1. Medical lighting device
- 1.1 : Perspective
- 1.2 : Front
- 1.3 : Back
- 1.4 : Left
- 1.5 : Right
- 1.6 : Top
- 1.7 : Bottom

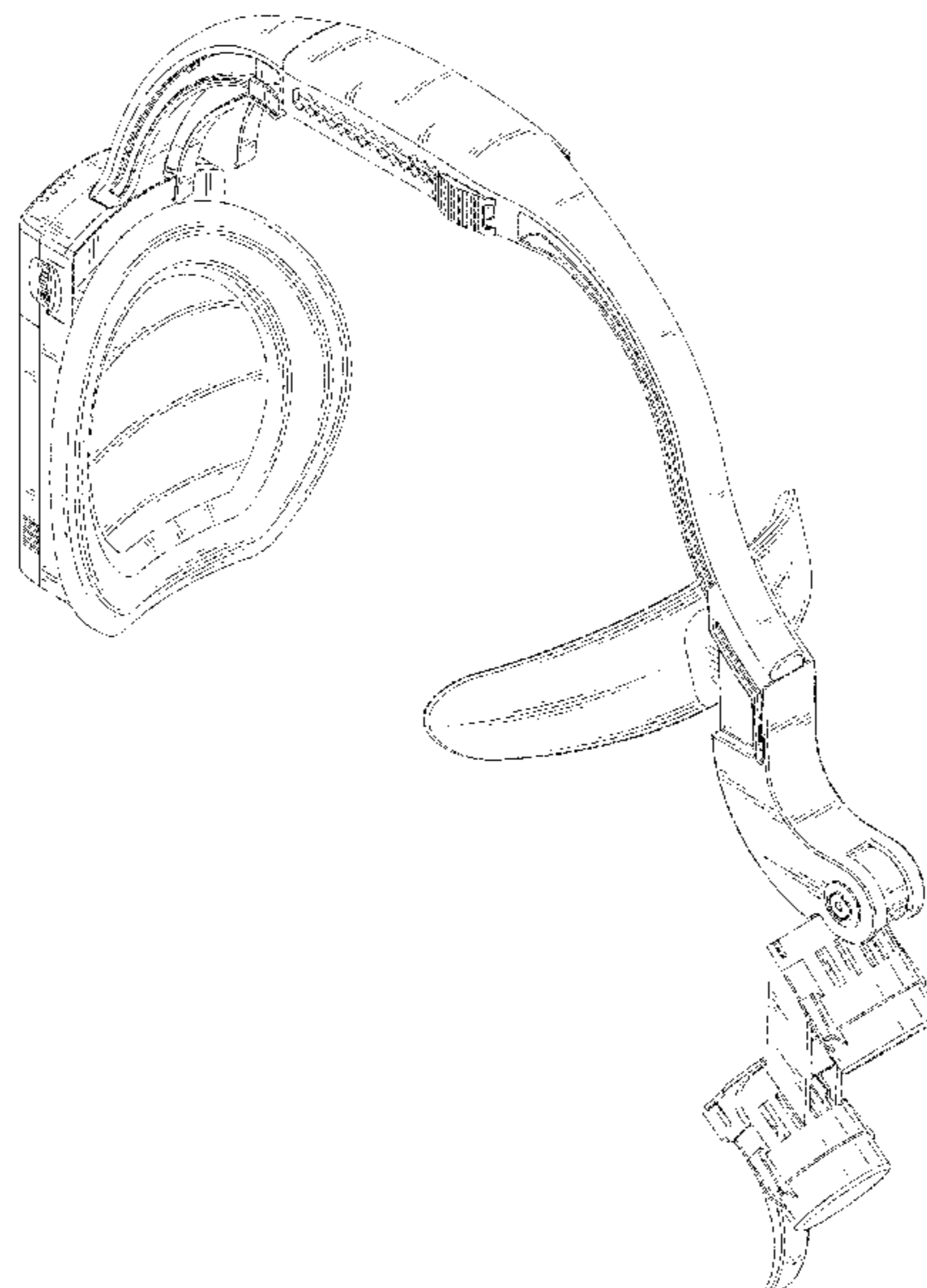
(56) **References Cited**

U.S. PATENT DOCUMENTS

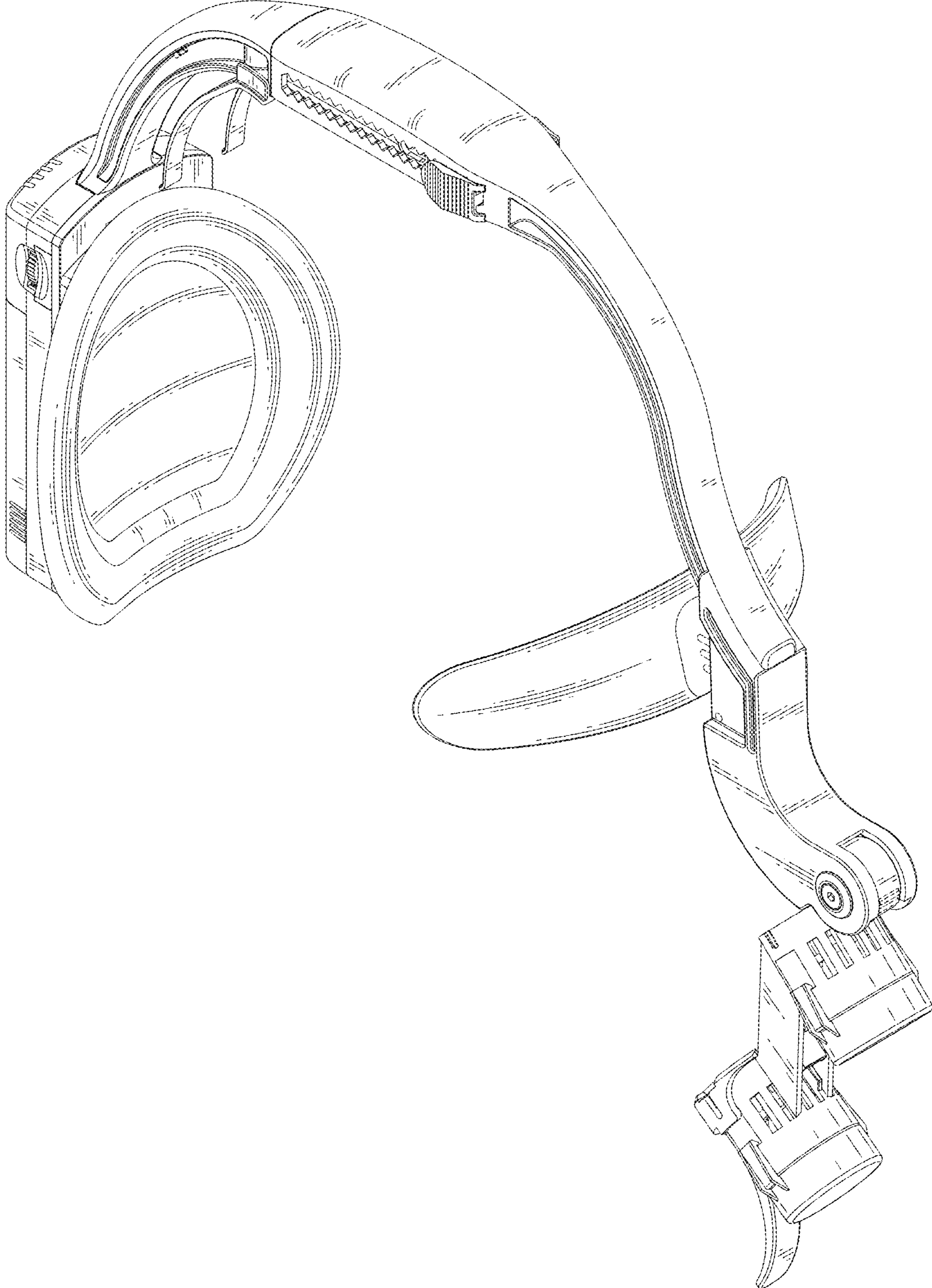
D238,958 S * 2/1976 Feinbloom D26/39
D266,192 S * 9/1982 Feinbloom D26/39
D337,838 S * 7/1993 Van Der Bel D26/39
D406,371 S * 3/1999 Van Der Bel D26/39
D608,479 S * 1/2010 Heine D24/231

The broken lines depict portions of the medical lighting device that form no part of the claimed design.

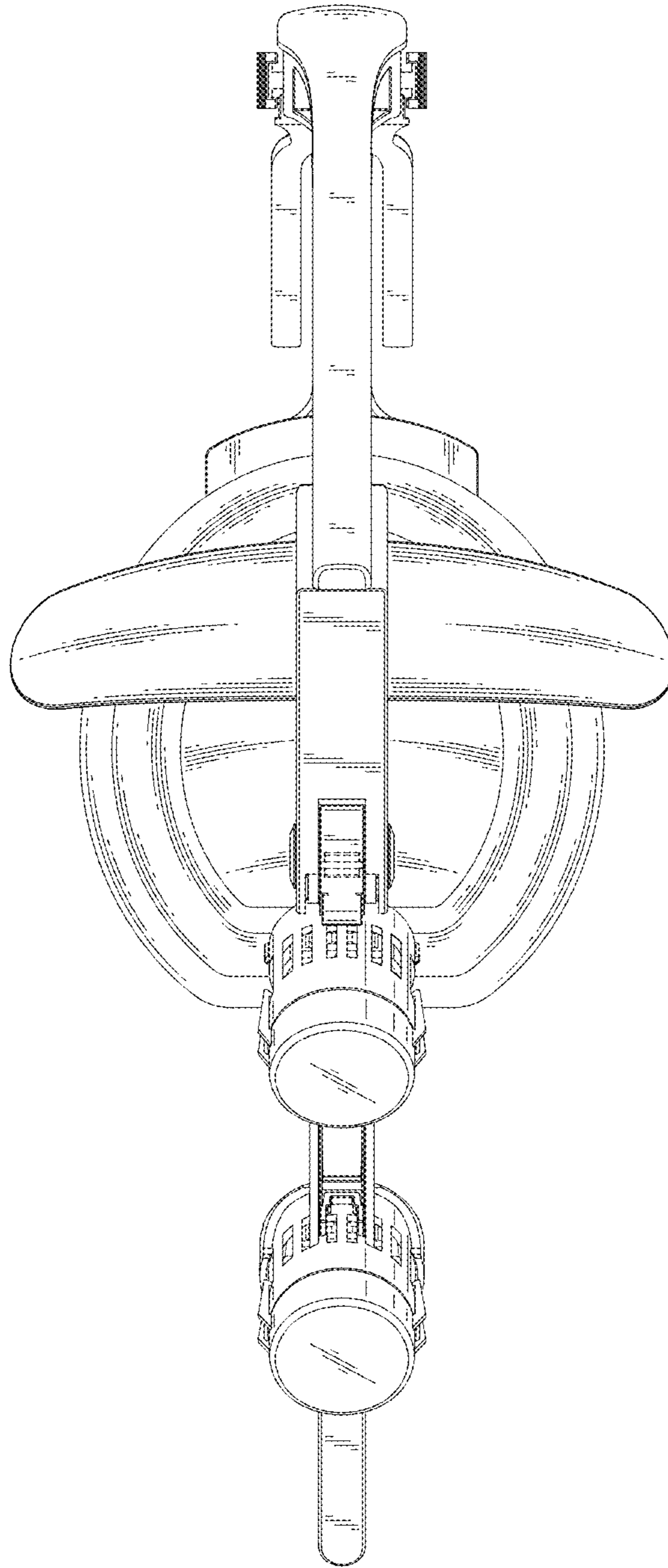
1 Claim, 7 Drawing Sheets



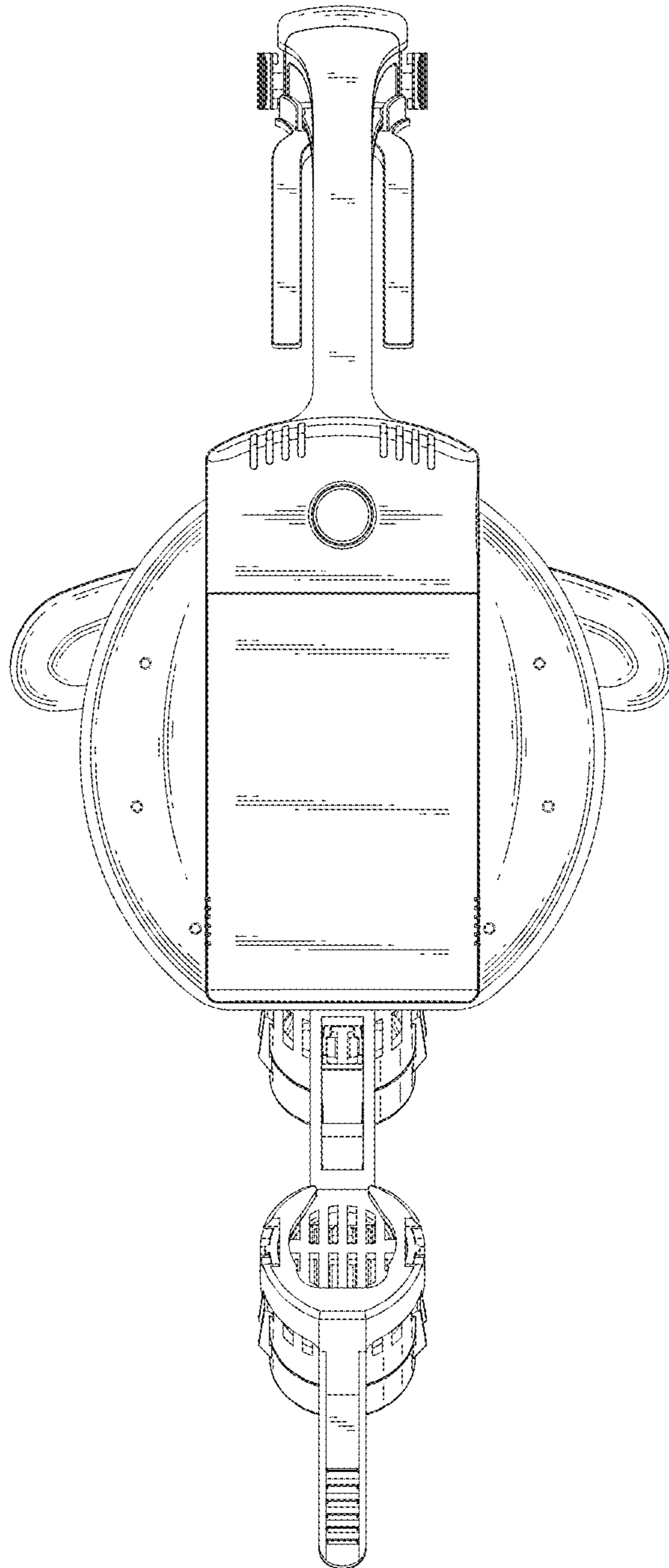
1.1



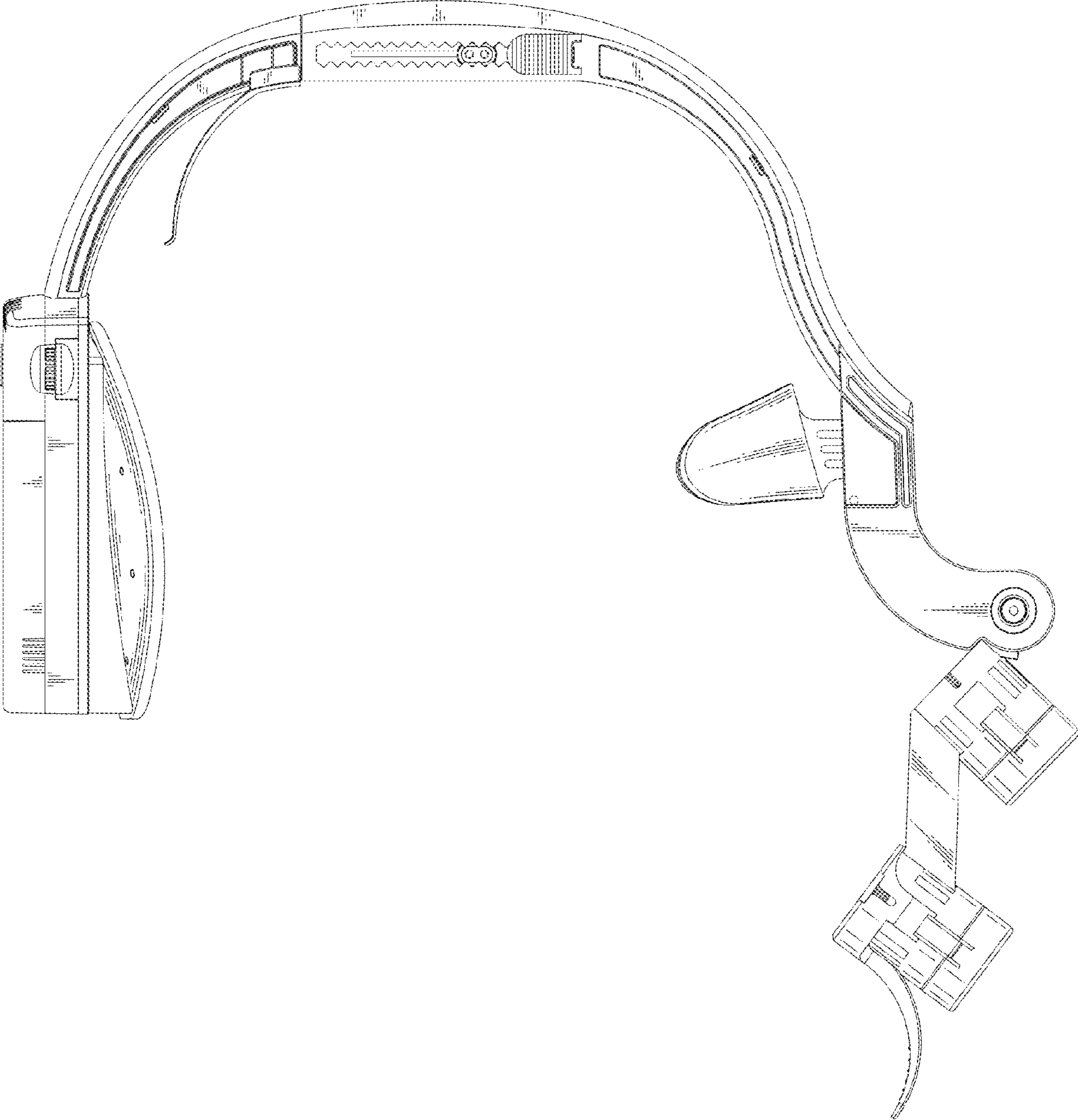
1.2



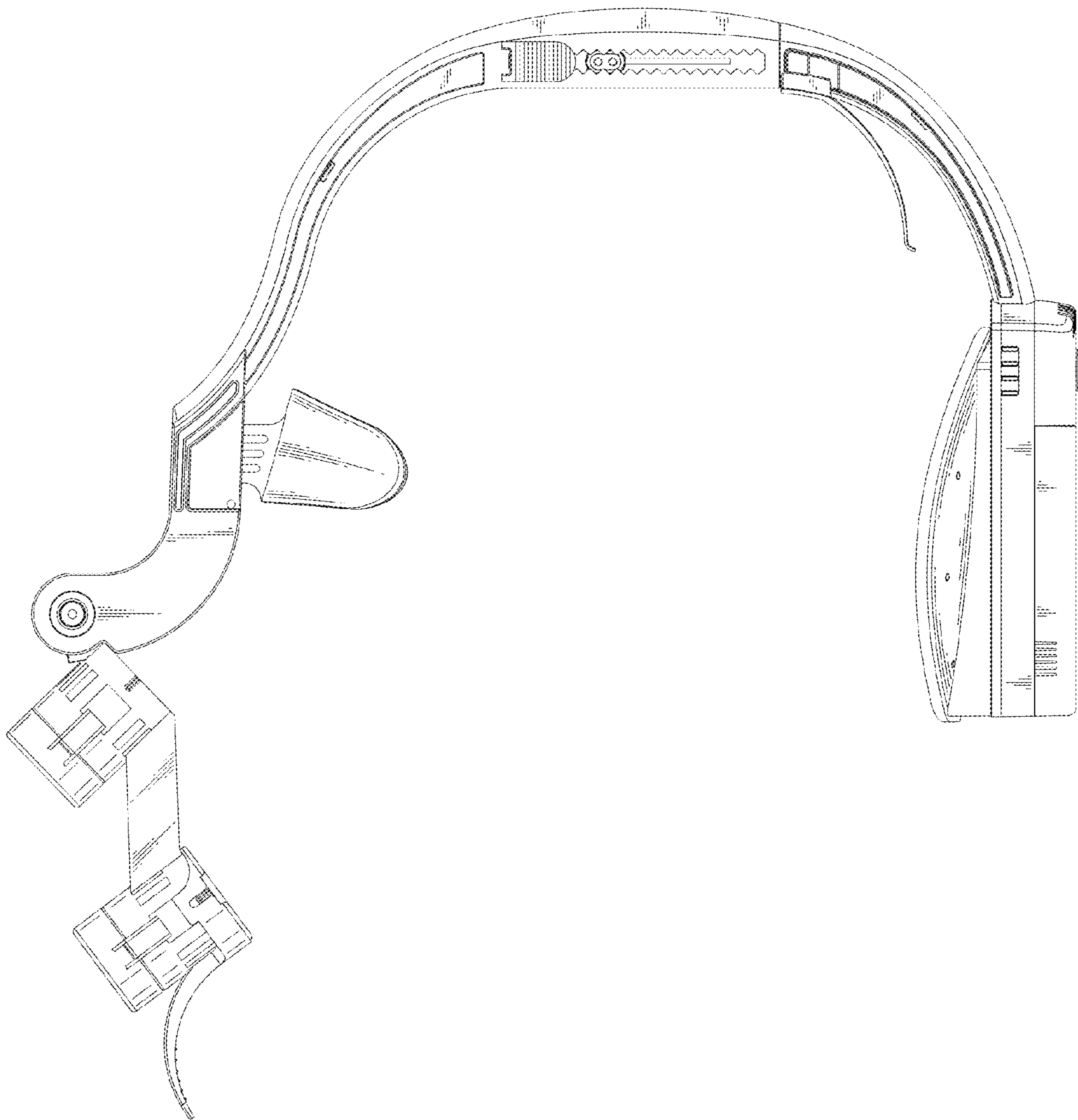
1.3



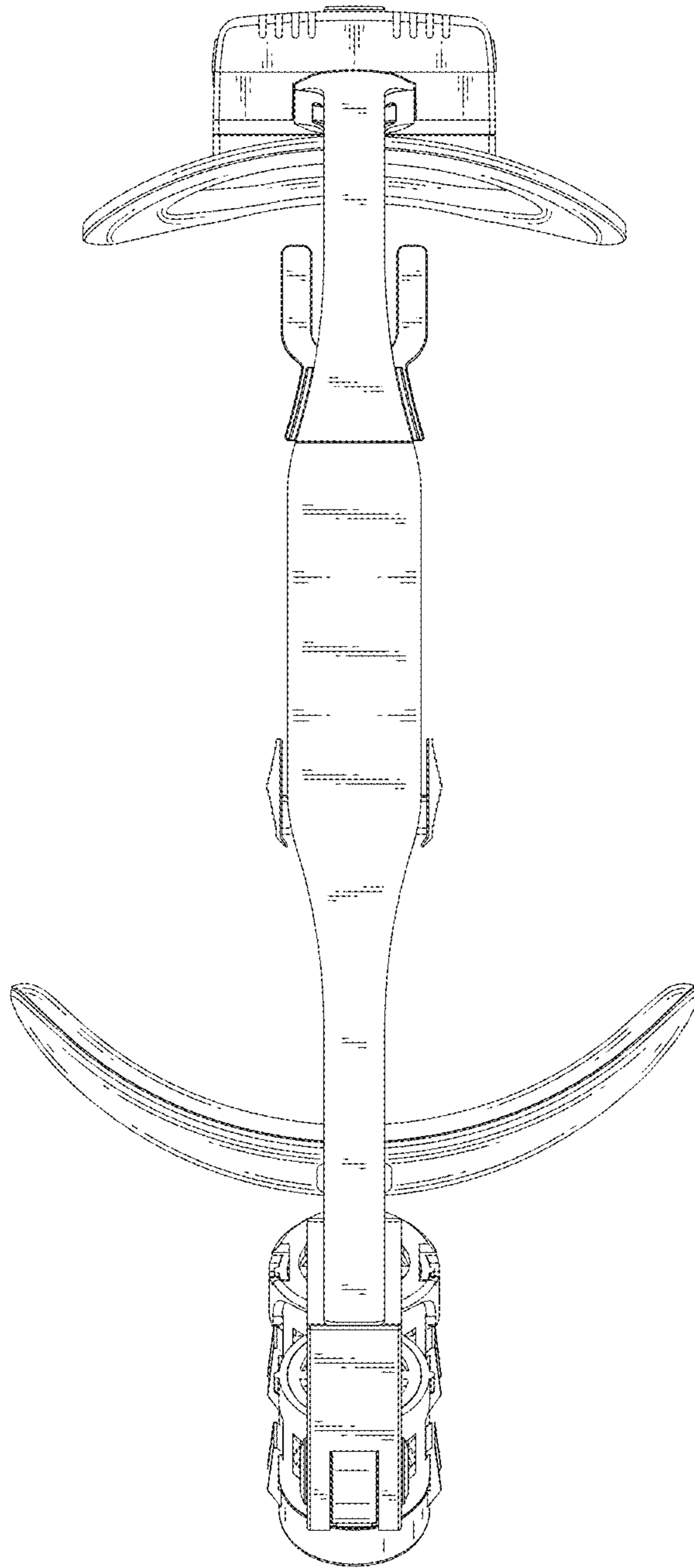
1.4



1.5



1.6



1.7

