



US00D989360S

(12) **United States Design Patent**
Zheng

(10) **Patent No.:** **US D989,360 S**

(45) **Date of Patent:** **** Jun. 13, 2023**

(54) **NIGHT-LIGHT**

(71) Applicant: **Shenzhen BoXinRui Electronic Co Ltd, Shenzhen (CN)**

(72) Inventor: **Jianquan Zheng, Putian (CN)**

(73) Assignee: **Shenzhen BoXinRui Electronic Co Ltd, Shenzhen (CN)**

(**) Term: **15 Years**

(21) Appl. No.: **29/884,900**

(22) Filed: **Feb. 16, 2023**

(51) **LOC (14) Cl.** **26-05**

(52) **U.S. Cl.**
USPC **D26/26**

(58) **Field of Classification Search**
USPC D26/26, 93, 110, 111, 113, 118, 119,
D26/120, 121, 122, 128, 138, 139, 140,
D26/141, 142
CPC F21S 2/00; F21S 4/00; F21S 4/003; F21S
4/005; F21S 4/006; F21S 4/007; F21S
4/008; F21S 6/00; F21S 8/00; F21S
8/024; F21S 8/026; F21S 8/031; F21S
8/033; F21S 8/035-037; F21S 8/04; F21S
8/043; F21S 8/063
See application file for complete search history.

(56) **References Cited**

U.S. PATENT DOCUMENTS

D452,577 S * 12/2001 Liu D26/26
D455,507 S * 4/2002 Liu D26/26
D469,339 S * 1/2003 Luu D26/26

D476,428 S * 6/2003 Stekelenburg D26/26
D523,972 S * 6/2006 Chan D26/26
D525,740 S * 7/2006 Parker D26/104
D602,586 S * 10/2009 Foley D24/113
D638,507 S * 5/2011 Feuerstein D22/120
D644,362 S * 8/2011 Kingston D26/26
D646,006 S * 9/2011 Stolte D26/26
D657,481 S * 4/2012 Hine D26/26
D674,931 S * 1/2013 Tyler D26/26
D813,429 S * 3/2018 Li D26/26
D870,326 S * 12/2019 Chen D26/26
D889,012 S * 6/2020 Lin D26/51
D923,210 S * 6/2021 Tan D26/26
D923,211 S * 6/2021 Zhang D26/26
D947,439 S 3/2022 Weiss et al.

* cited by examiner

Primary Examiner — *Natasha Vujcic*

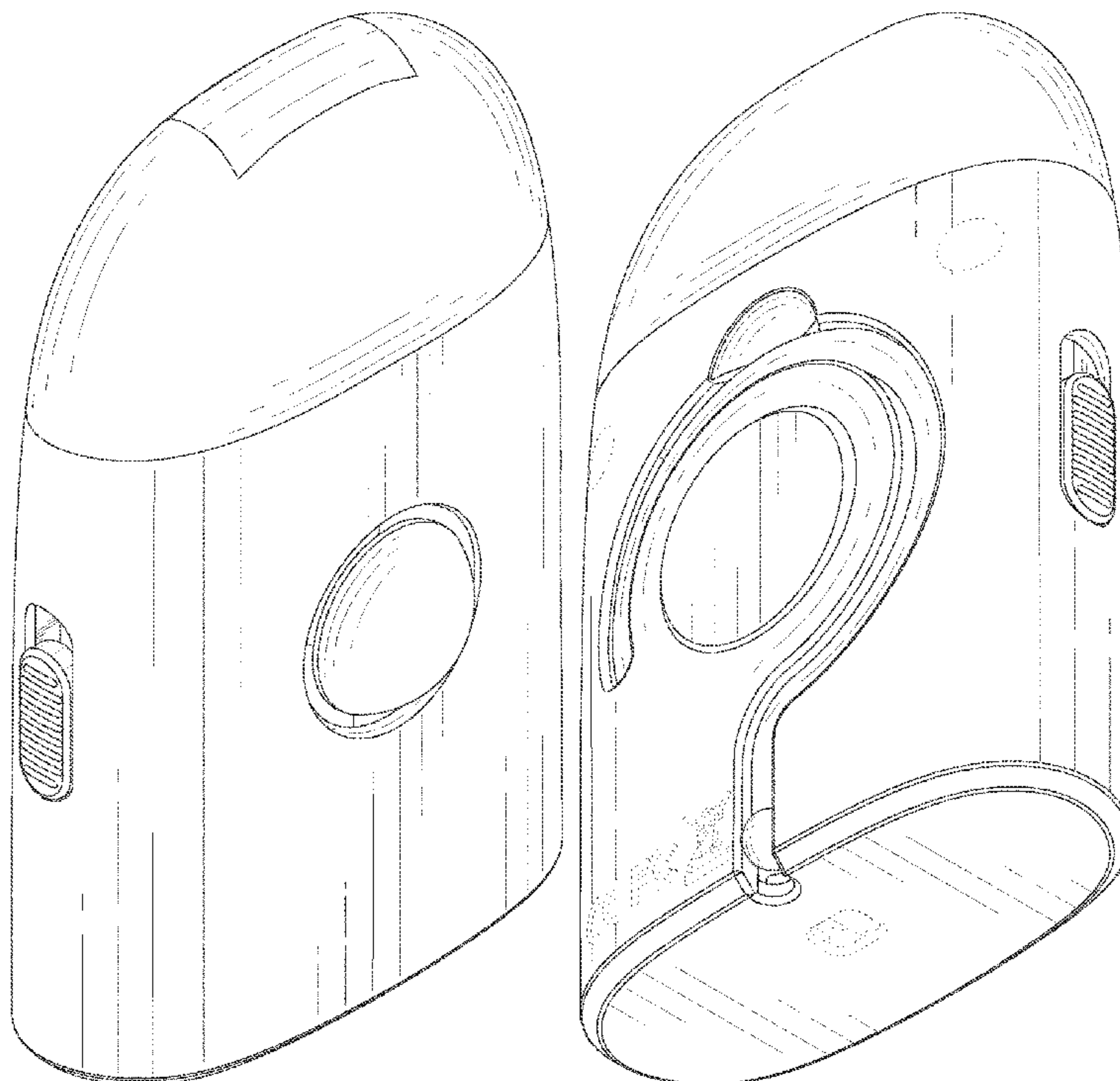
(57) **CLAIM**

The ornamental design for a night-light, as shown and described.

DESCRIPTION

FIG. 1 is a front perspective view of a night-light, showing my new design;
FIG. 2 is a rear perspective view thereof;
FIG. 3 is a front view thereof;
FIG. 4 is a rear view thereof;
FIG. 5 is a left side view thereof;
FIG. 6 is a right side view thereof;
FIG. 7 is a top view thereof; and,
FIG. 8 is a bottom view thereof.
The broken lines in the drawings illustrate the portions of the night-light, which form no part of the claimed design.

1 Claim, 8 Drawing Sheets



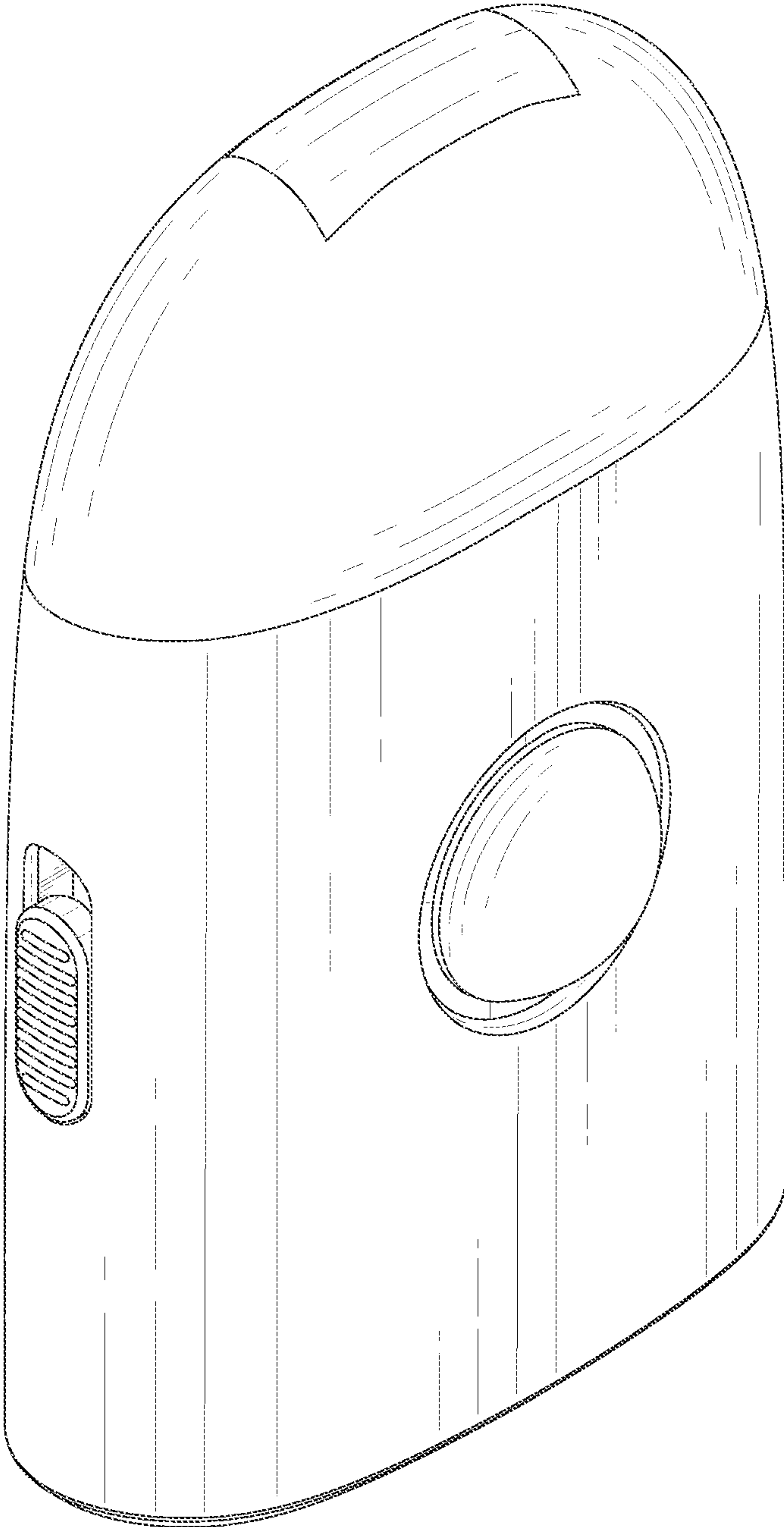


FIG. 1

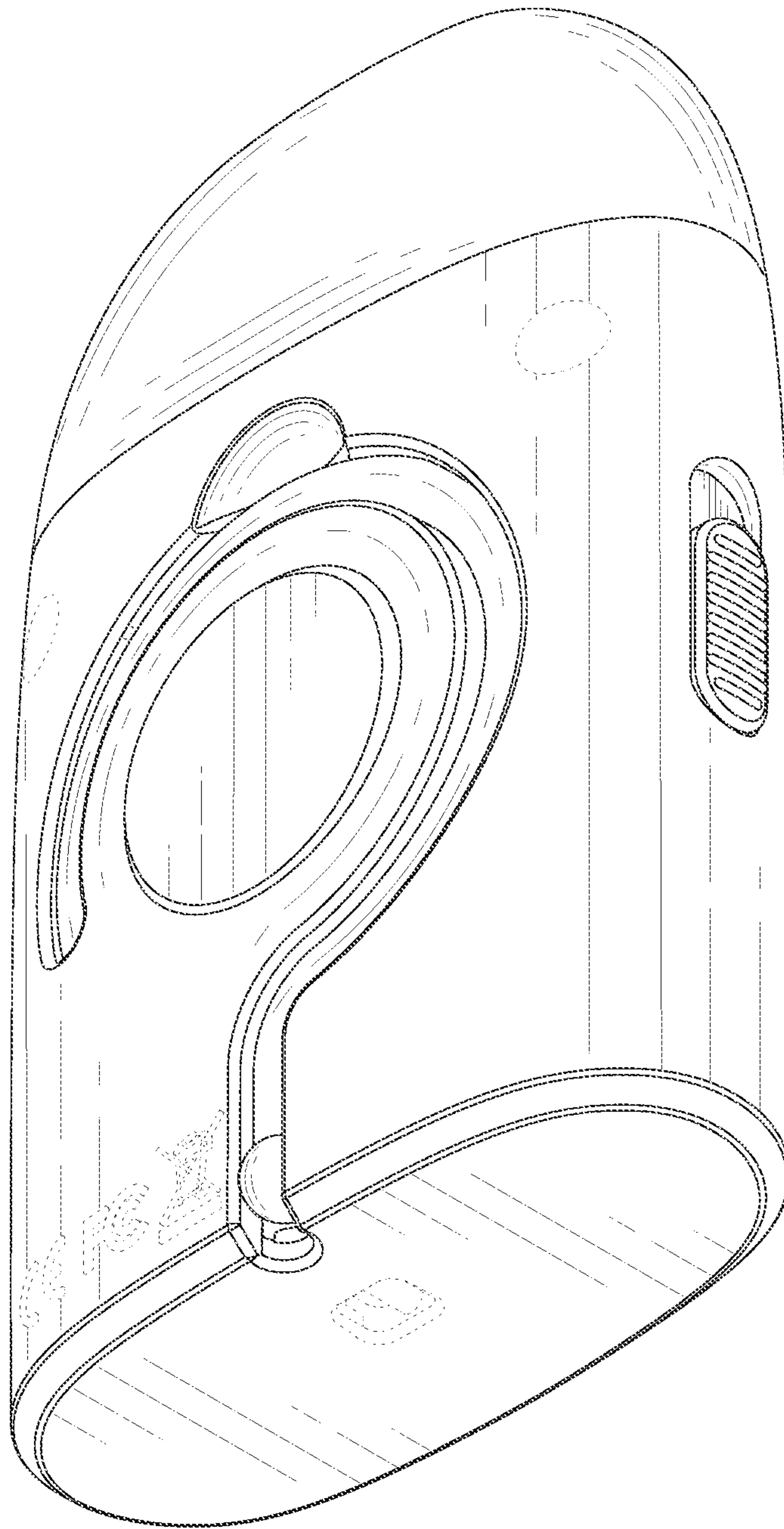


FIG. 2

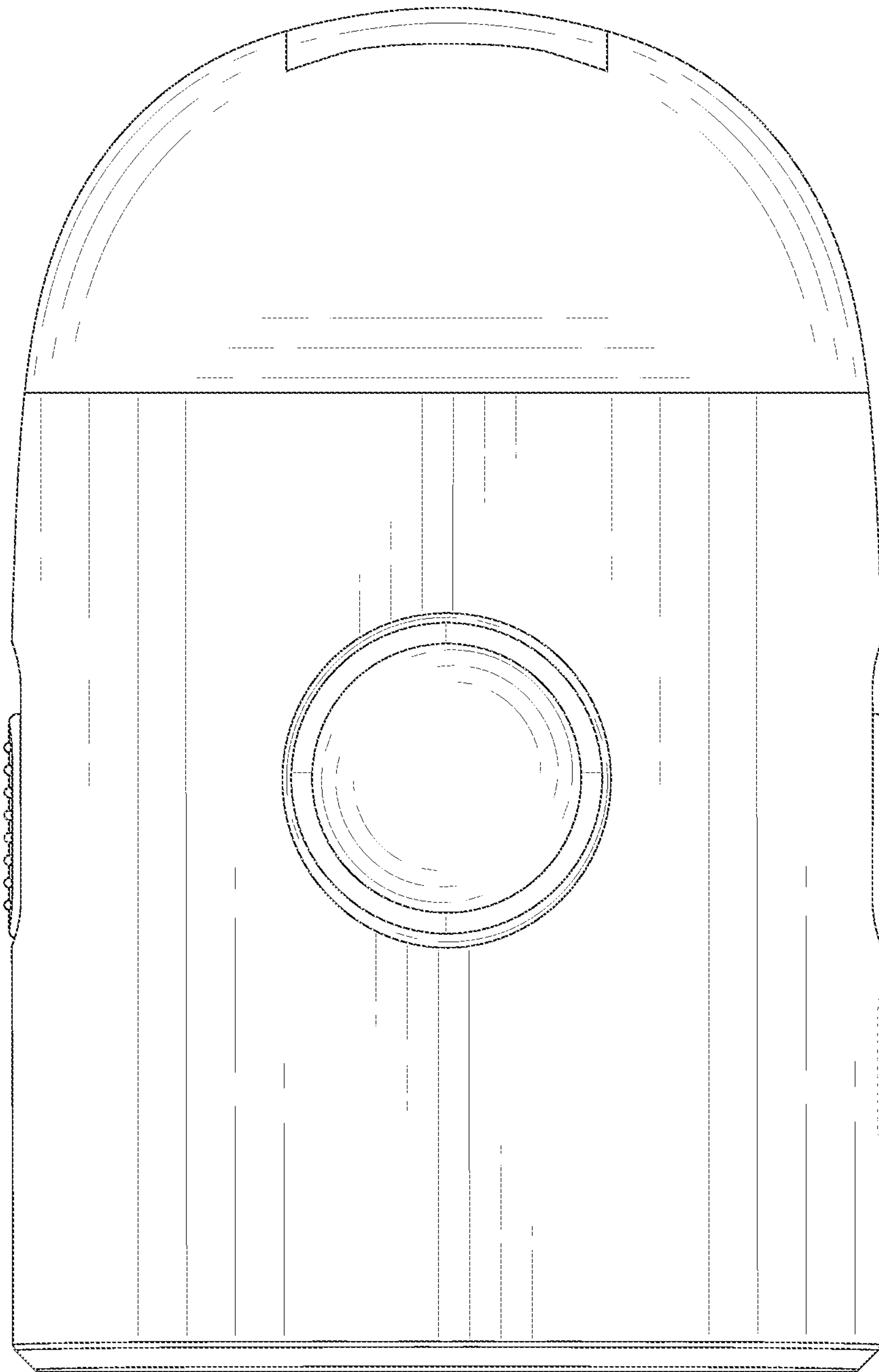


FIG. 3

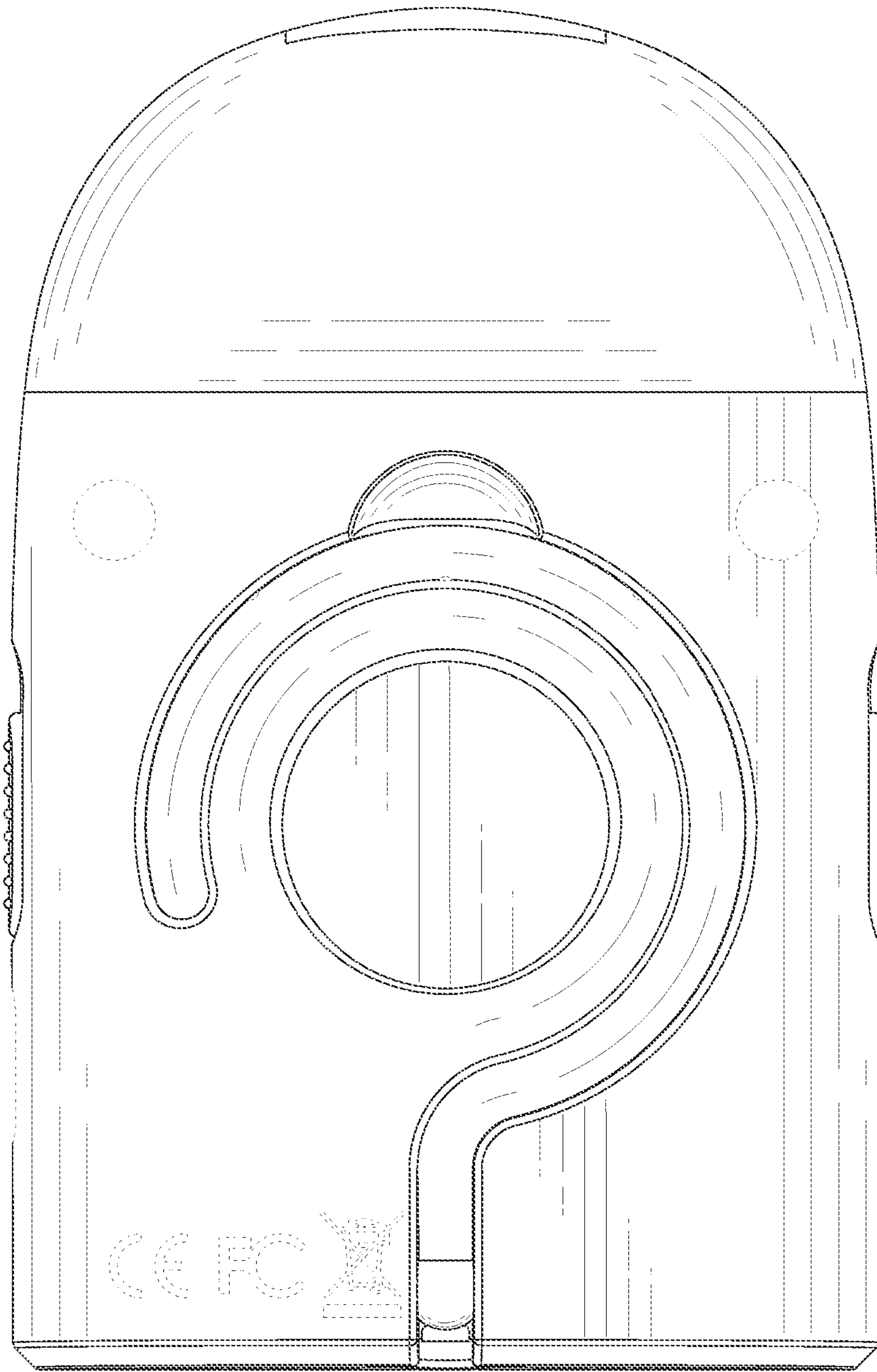


FIG. 4

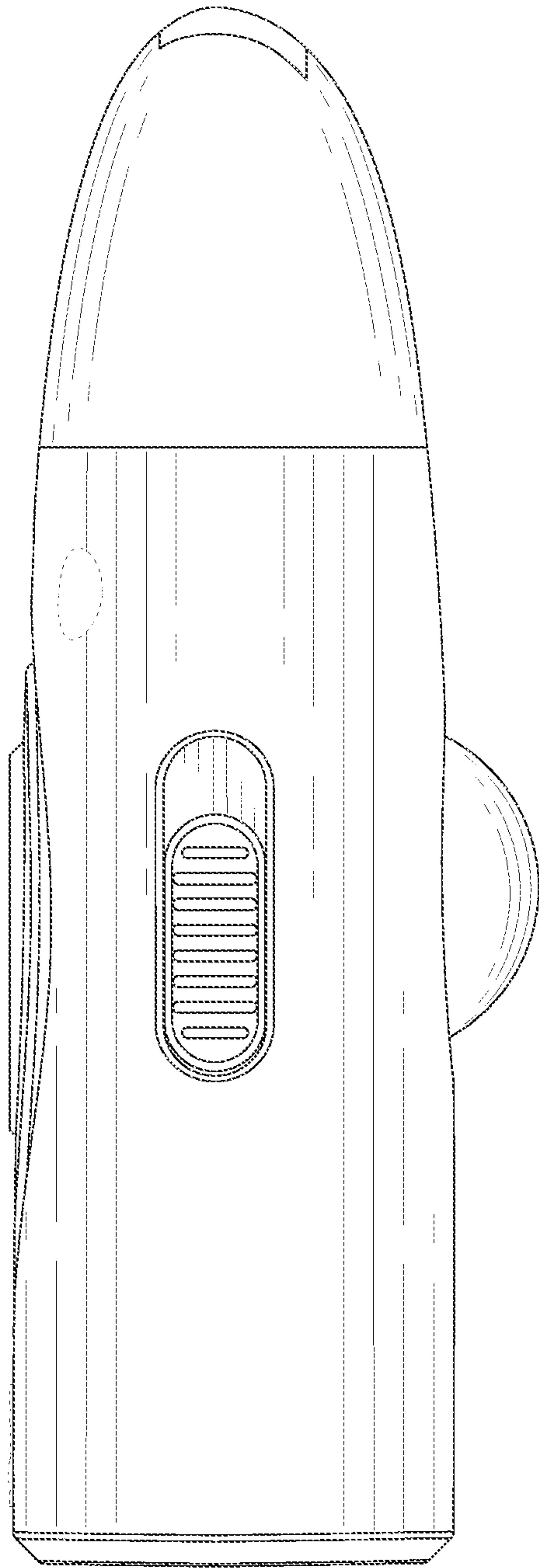


FIG. 5

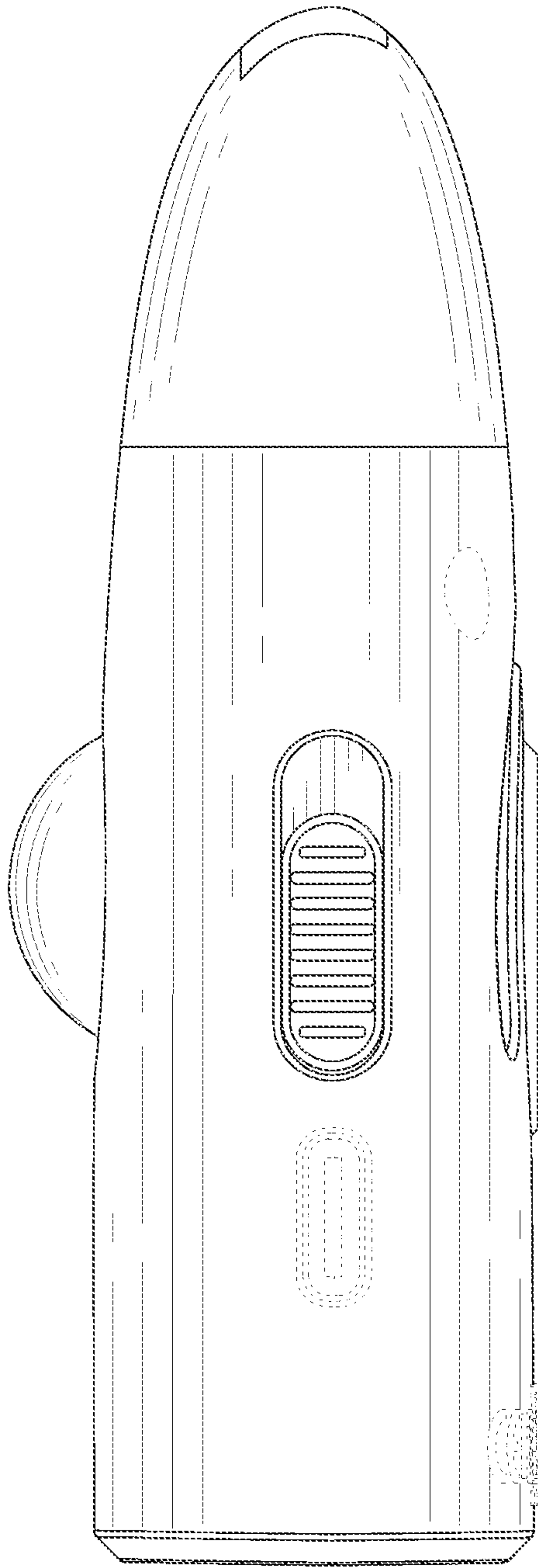


FIG. 6

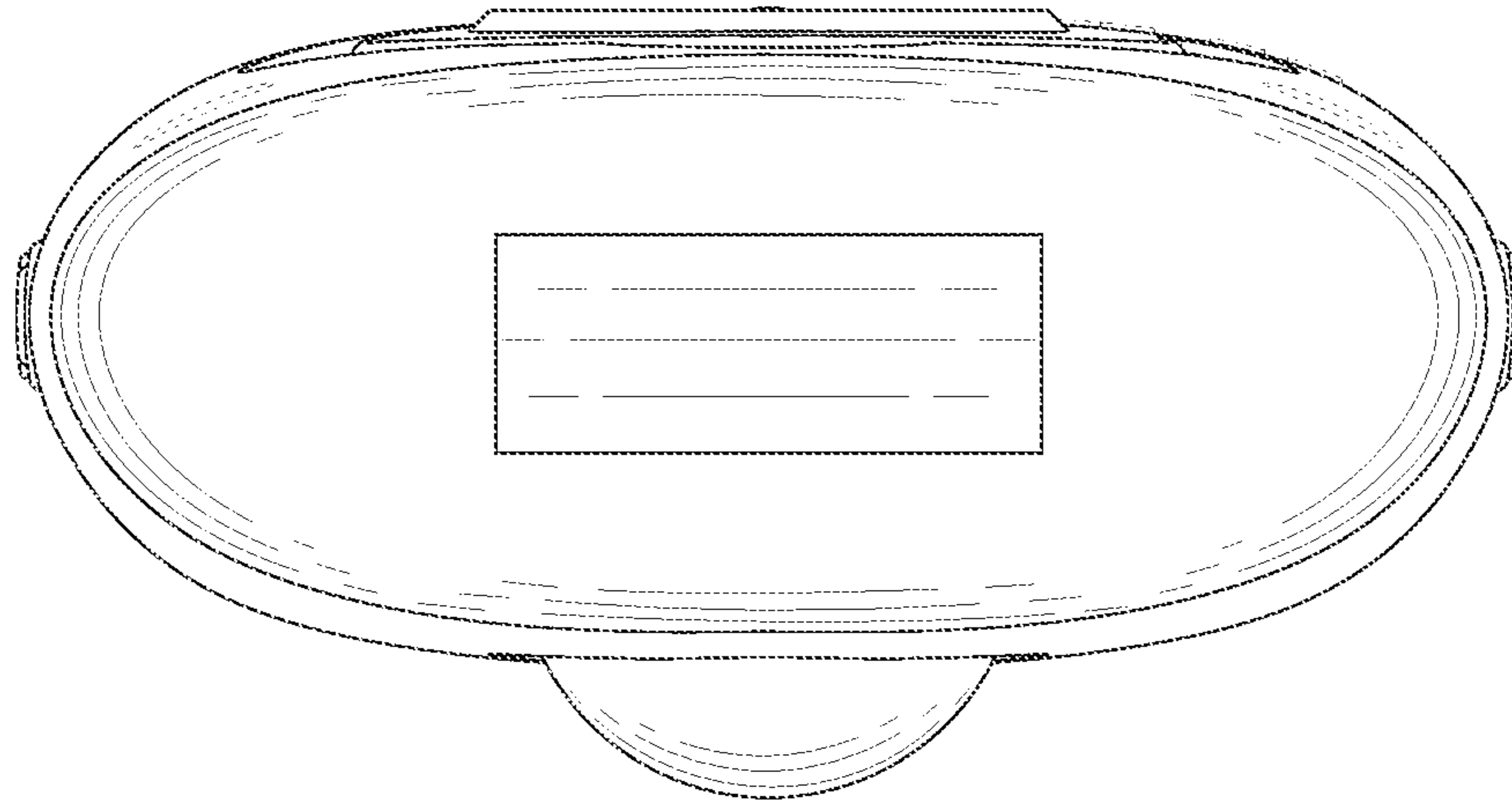


FIG. 7

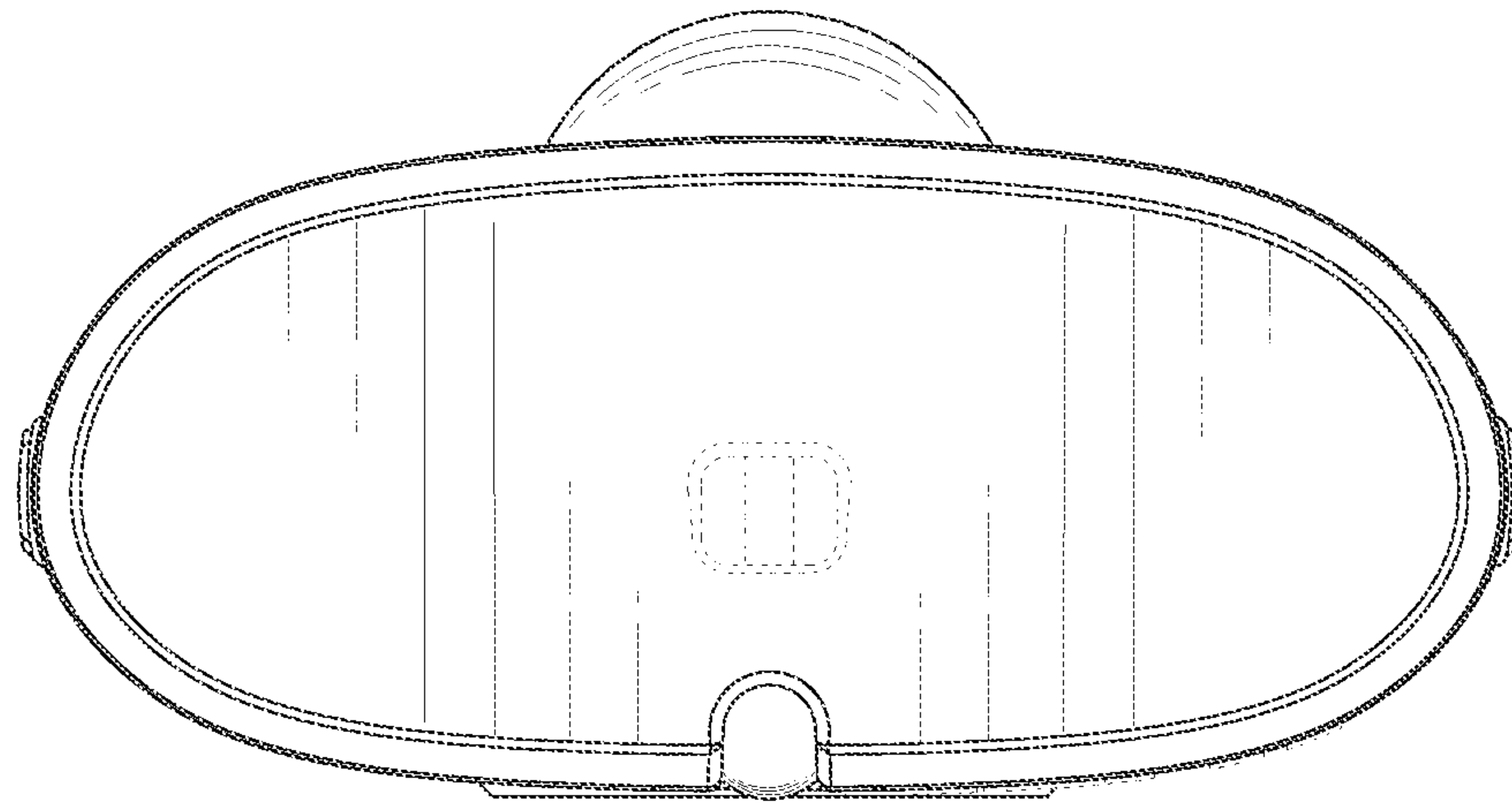


FIG. 8