



US00D989357S

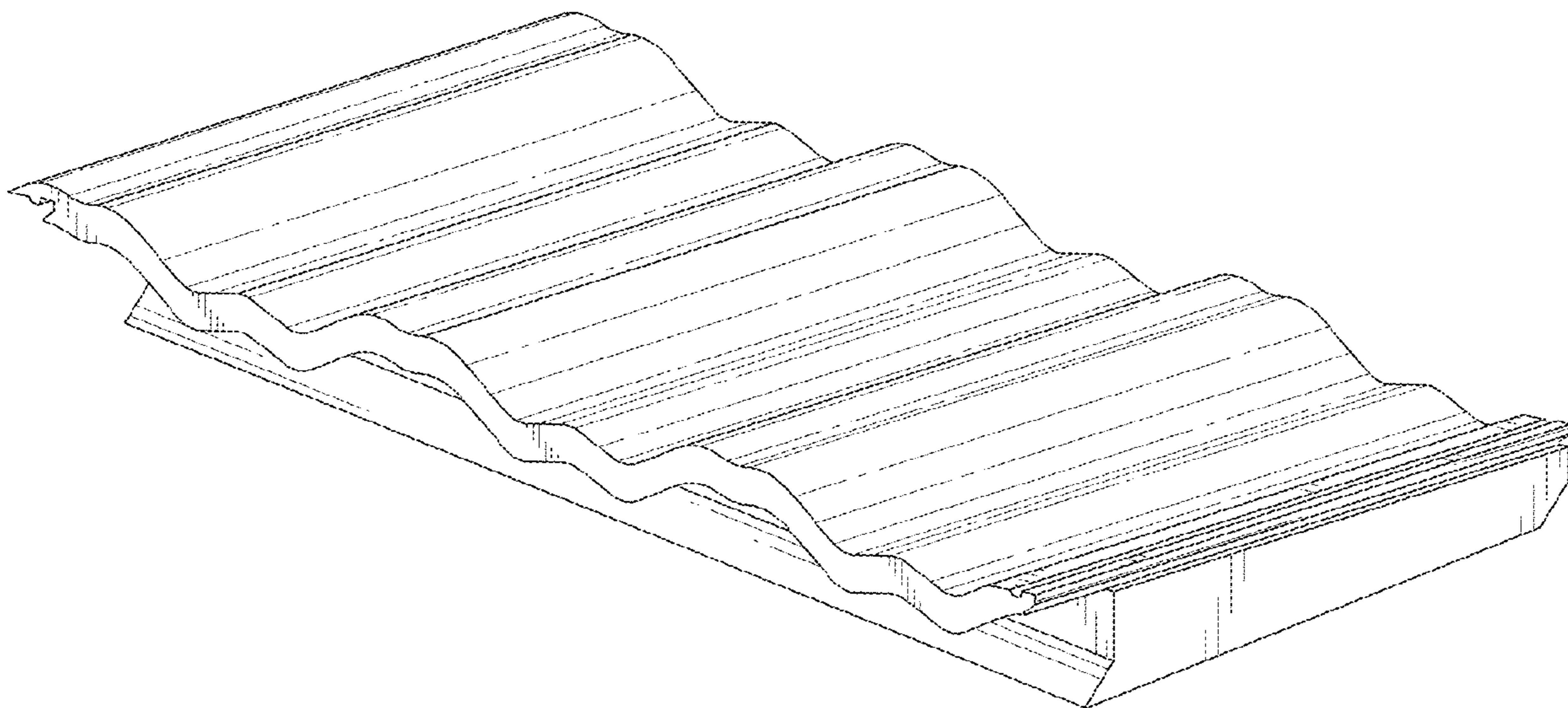
(12) **United States Design Patent** (10) **Patent No.:** **US D989,357 S**
Woodland et al. (45) **Date of Patent:** **** Jun. 13, 2023**

(54) **INSULATED ROOF PANEL**
(71) Applicants: **Jason McSpadden Woodland**,
Pocatello, ID (US); **Robert Dean Elzner**,
Pocatello, ID (US)
(72) Inventors: **Jason McSpadden Woodland**,
Pocatello, ID (US); **Robert Dean Elzner**,
Pocatello, ID (US)
(73) Assignee: **Snap Tight Products LLC**, Pocatello,
ID (US)
(**) Term: **15 Years**
(21) Appl. No.: **29/737,472**
(22) Filed: **Jun. 9, 2020**
(51) **LOC (14) Cl.** **25-01**
(52) **U.S. Cl.**
USPC **D25/143**
(58) **Field of Classification Search**
USPC D25/139, 141, 143
CPC E04D 1/12; E04D 1/14; E04D 1/16; E04D
1/20; E04D 1/26; E04D 1/265; E04D
1/02; E04D 1/28; E04D 3/02; E04D 3/04;
E04D 3/35; E04D 3/24; E04D 2001/3494;
E04D 2001/3497
See application file for complete search history.

(56) **References Cited**
U.S. PATENT DOCUMENTS
4,603,529 A * 8/1986 Cronenwett E04D 1/2916
52/592.1
D423,122 S * 4/2000 Plath D25/143
D519,219 S * 4/2006 Dodge D25/143
D527,835 S * 9/2006 Ross D25/141
D685,113 S * 6/2013 Henriquez D25/143
10,138,631 B2 * 11/2018 Schmidt E04D 13/103
* cited by examiner
Primary Examiner — Doris Clark

(57) **CLAIM**
The ornamental design for an insulated roof panel, as shown
and described.

DESCRIPTION
FIG. 1 is a top perspective view of an insulated roof panel;
FIG. 2 is a front elevational view of FIG. 1;
FIG. 3 is a rear elevational view of FIG. 1;
FIG. 4 is a left-side elevational view of FIG. 1;
FIG. 5 is a right-side elevational view of FIG. 1;
FIG. 6 is a top plan view of FIG. 1; and,
FIG. 7 is a bottom plan view of FIG. 1.
1 Claim, 3 Drawing Sheets



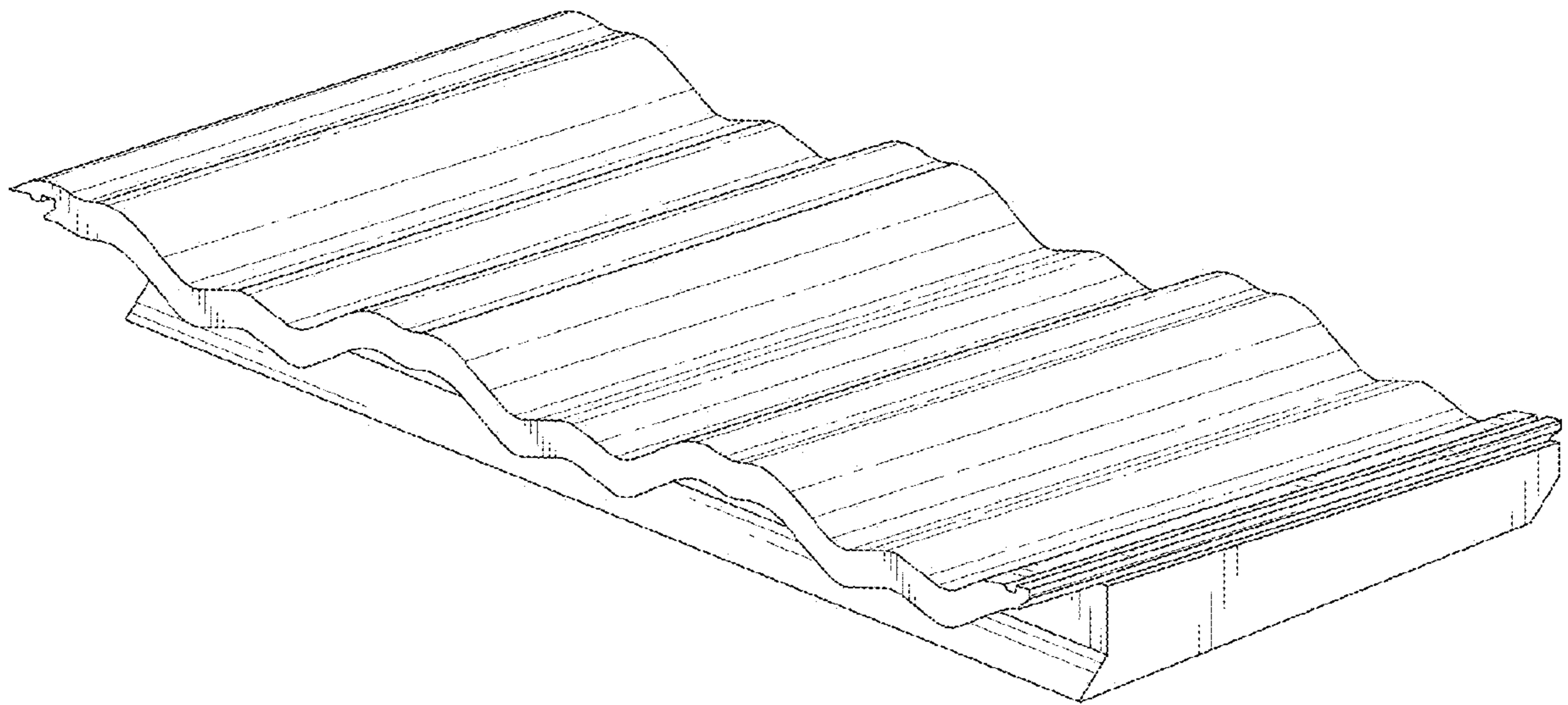


FIG. 1

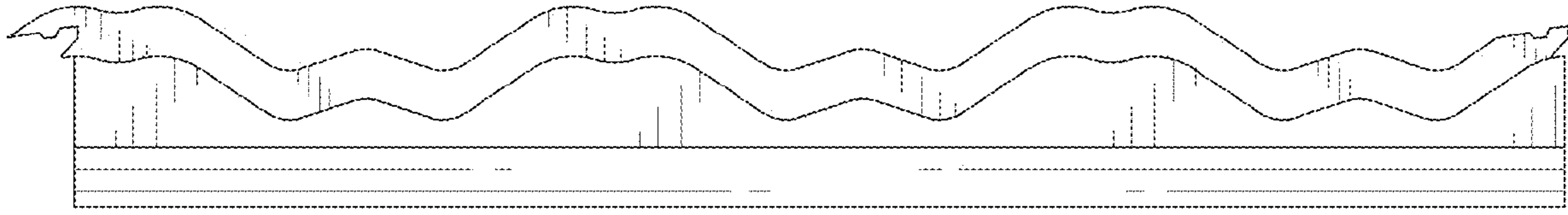


FIG. 2

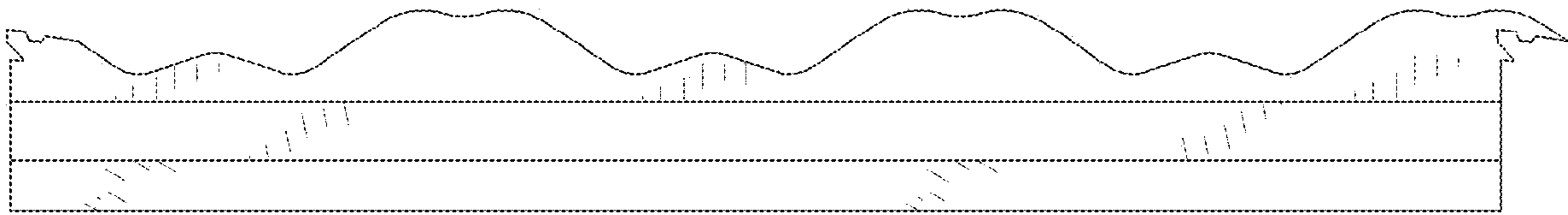


FIG. 3

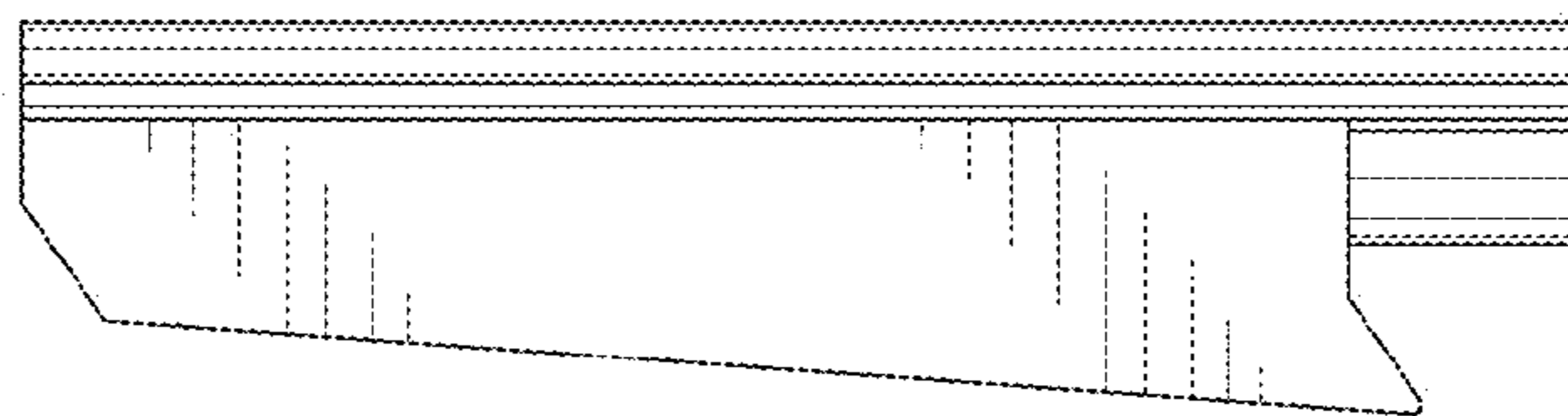


FIG. 4

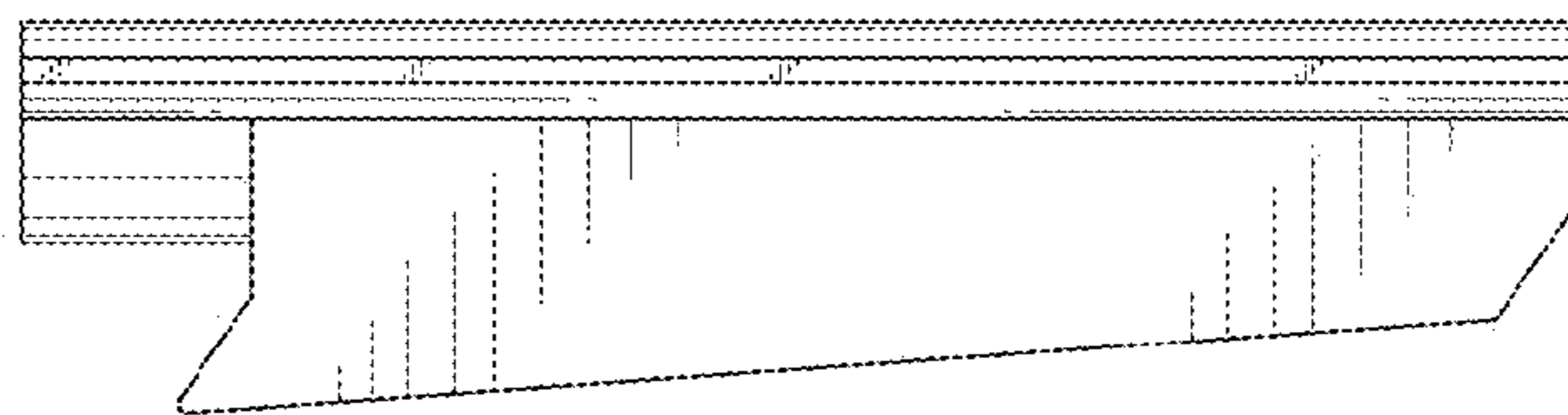


FIG. 5



FIG. 6

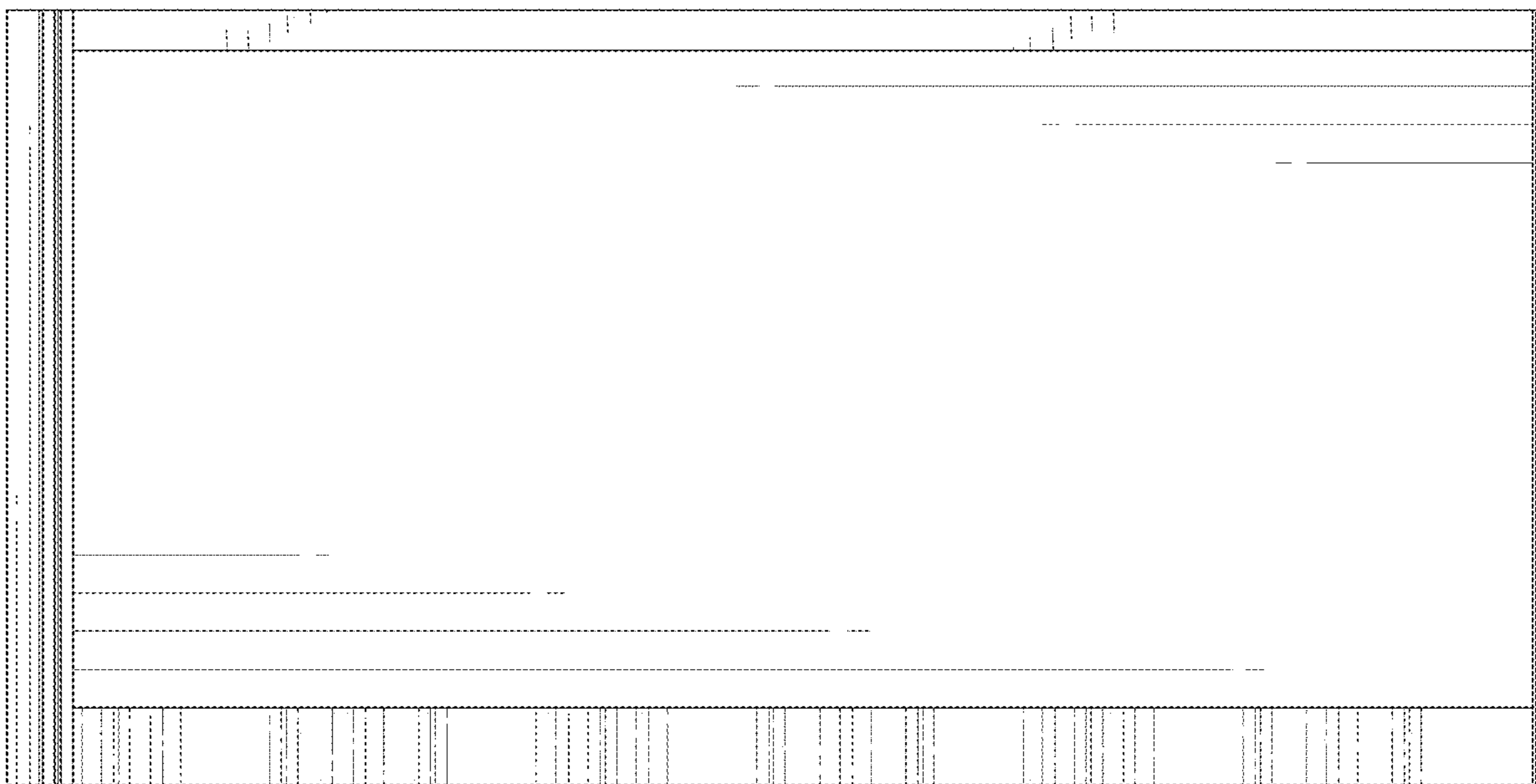


FIG. 7