



US00D989354S

(12) **United States Design Patent**
Kendall et al.

(10) **Patent No.:** **US D989,354 S**
(45) **Date of Patent:** **** Jun. 13, 2023**

- (54) **SELF-MATING SNAP**
- (71) Applicant: **Pace Enclosures, Inc.**, Fort Myers, FL (US)
- (72) Inventors: **Tracy Kendall**, Zephyrhills, FL (US);
Kathleen Serrao, Fort Myers, FL (US)
- (**) Term: **15 Years**
- (21) Appl. No.: **29/870,954**
- (22) Filed: **Feb. 9, 2023**
- (51) **LOC (14) Cl.** **25-01**
- (52) **U.S. Cl.**
USPC **D25/123**
- (58) **Field of Classification Search**
USPC D25/61, 119–126, 131, 136, 137, 164;
D8/377
CPC E04B 1/5818; E04C 2003/023; E04C
2003/026; E04C 2003/0404; E04C
2003/0417; E04C 2003/0421; E04C
3/005; E04C 3/04; E04C 3/40; E06B
1/02; E06B 1/12; E06B 1/26; E06B 1/28;
E06B 1/52
See application file for complete search history.

- D666,743 S * 9/2012 Teffenhart, Jr. D25/124
- 8,756,900 B1 * 6/2014 Hudson E04C 3/07
52/844
- D713,054 S * 9/2014 Teffenhart, Jr. D25/61
- D739,562 S 9/2015 Campbell
- D808,685 S * 1/2018 Raiti D6/580
- D812,782 S * 3/2018 Dorman D25/119
- D830,545 S * 10/2018 Loughren D24/126
- D843,600 S * 3/2019 Schmidt D25/126
- D879,326 S 3/2020 Hendry
- 10,640,968 B2 5/2020 Teffenhart
- D905,290 S 12/2020 Jo
- 11,085,192 B2 * 8/2021 Mitchell E04F 11/181
- D931,499 S 9/2021 Wagner
- D954,301 S * 6/2022 Hendry D25/131
- D980,460 S * 3/2023 Loughren D25/124

(Continued)

Primary Examiner — Llorellys Martinez
(74) *Attorney, Agent, or Firm* — Larson & Larson; Justin P. Miller; Frank Liebenow

(57) **CLAIM**

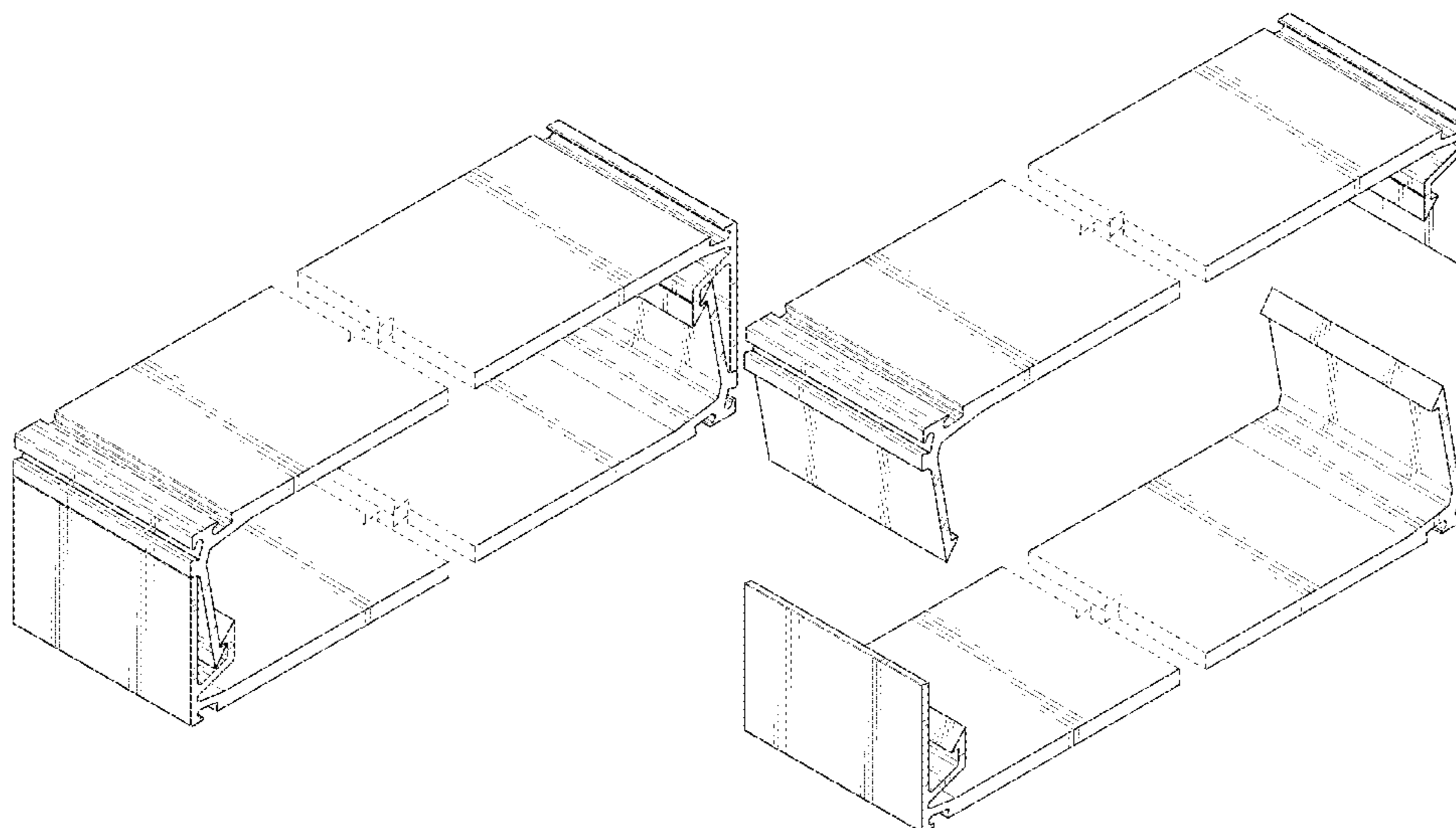
The ornamental design for a self-mating snap, as shown and described.

DESCRIPTION

FIG. 1 is a perspective view of a self-mating snap showing my new design;
FIG. 2 is a front elevation view thereof;
FIG. 3 is a rear elevation view thereof;
FIG. 4 is a left-side elevation view thereof;
FIG. 5 is a right-side elevation view thereof;
FIG. 6 is a top plan view thereof;
FIG. 7 is a bottom plan view thereof; and,
FIG. 8 is an exploded perspective view thereof.
The self-mating snap is shown with a symbolic break in its length. The appearance of any portion of the self-mating snap between the break lines forms no part of the claimed design.

1 Claim, 8 Drawing Sheets

- (56) **References Cited**
U.S. PATENT DOCUMENTS
- 3,222,841 A * 12/1965 Lipof E04C 3/06
52/63
- D210,872 S * 4/1968 Marsh D25/123
- 4,718,213 A * 1/1988 Butterfield E04B 9/005
D25/119
- D415,292 S * 10/1999 Giese D25/123
- 6,601,362 B1 * 8/2003 Prince E04F 19/022
52/844
- D620,618 S * 7/2010 Teffenhart, Jr. D25/123
- D620,619 S * 7/2010 Teffenhart, Jr. E04C 3/06
D25/123
- D636,095 S * 4/2011 Teffenhart, Jr. E04C 3/06
D25/124
- D659,854 S * 5/2012 Kligman D25/136



(56)

References Cited

U.S. PATENT DOCUMENTS

2003/0145555 A1* 8/2003 Raskin E04C 3/06
52/844
2007/0074480 A1* 4/2007 Kleila E04C 3/04
160/201
2007/0266671 A1* 11/2007 Chromy E04C 3/06
52/844
2008/0016816 A1* 1/2008 Kim E04C 3/06
52/745.18

* cited by examiner

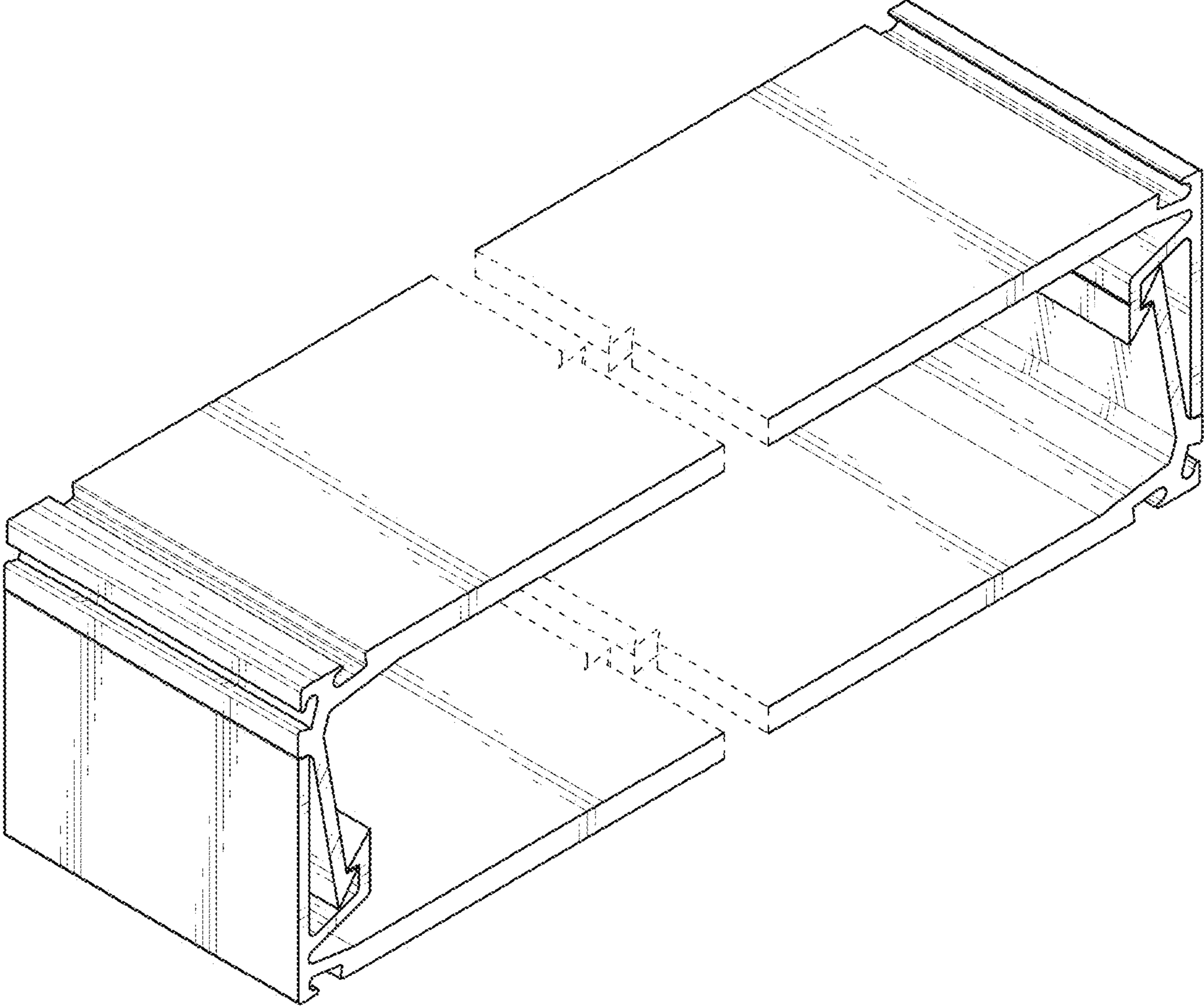


FIG. 1

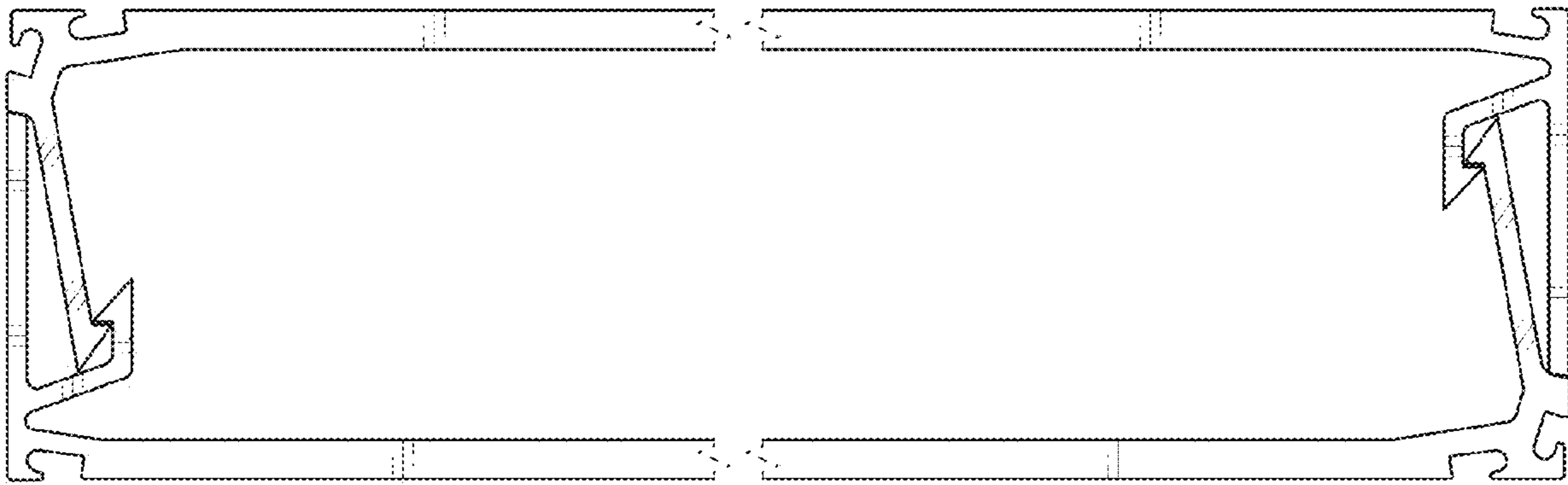


FIG. 2

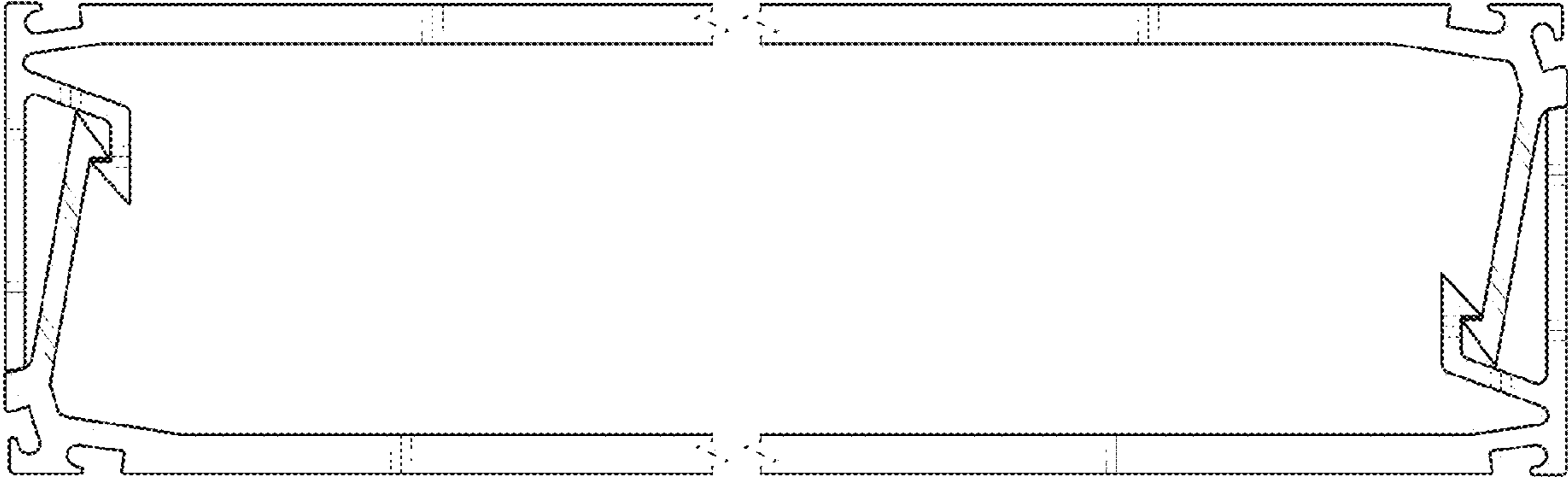


FIG. 3

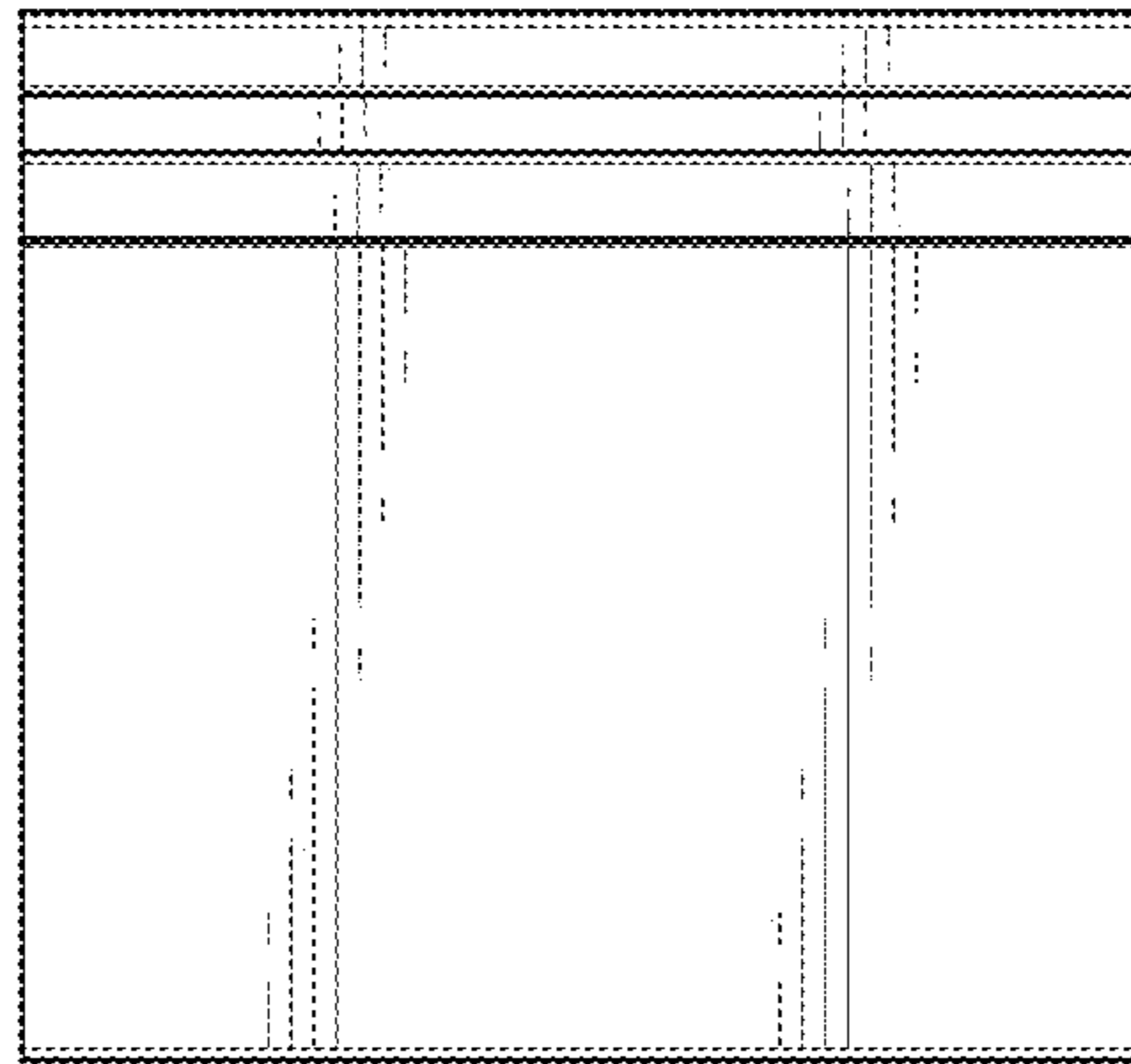


FIG. 4

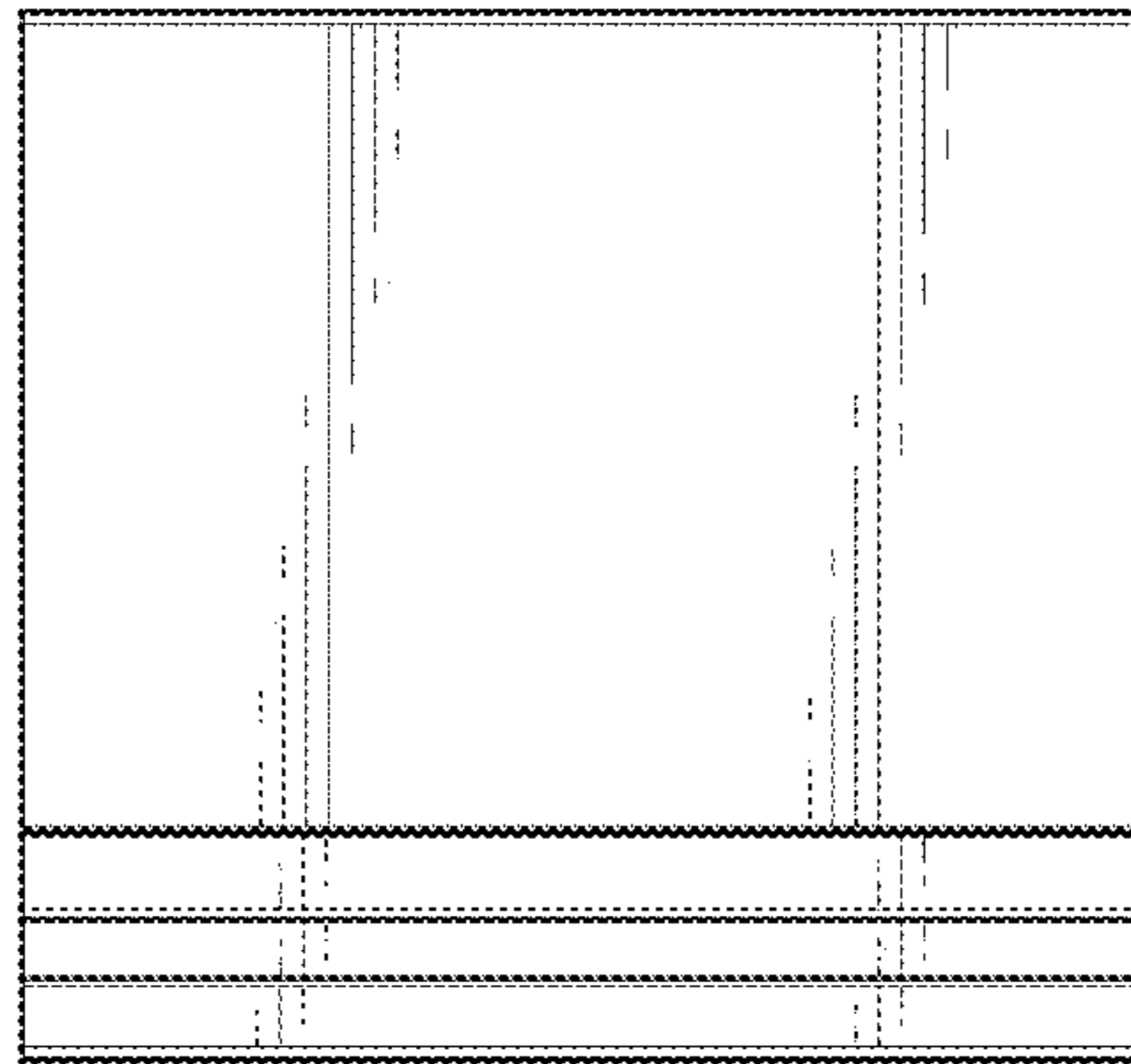


FIG. 5

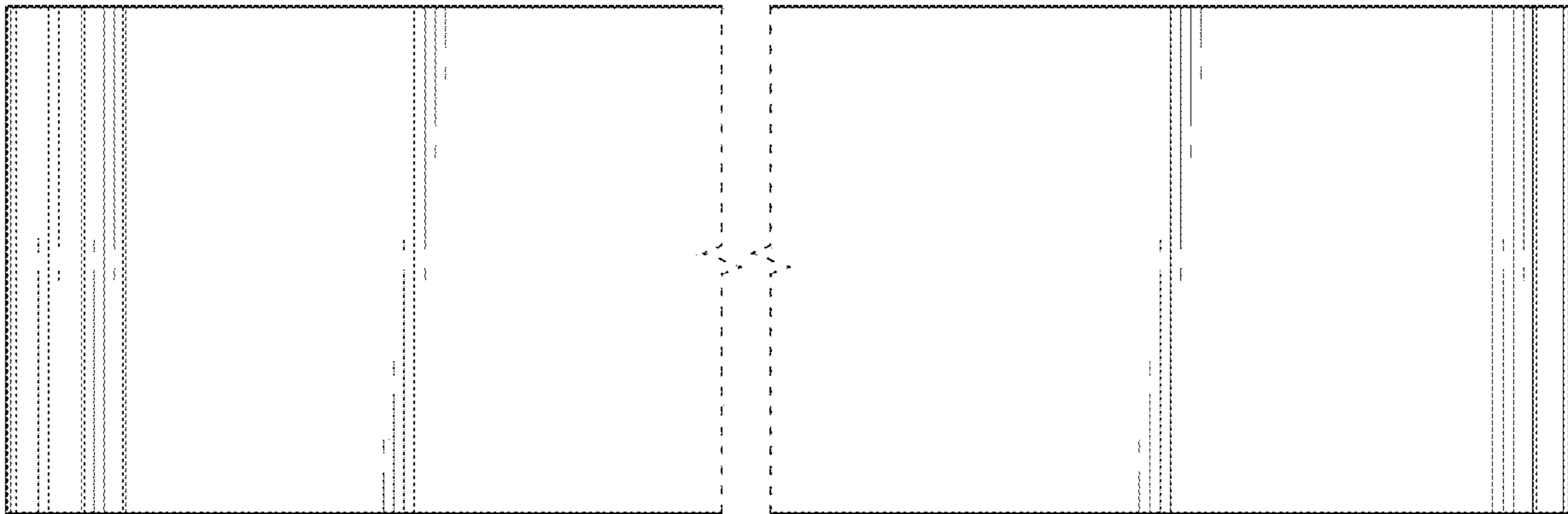


FIG. 6

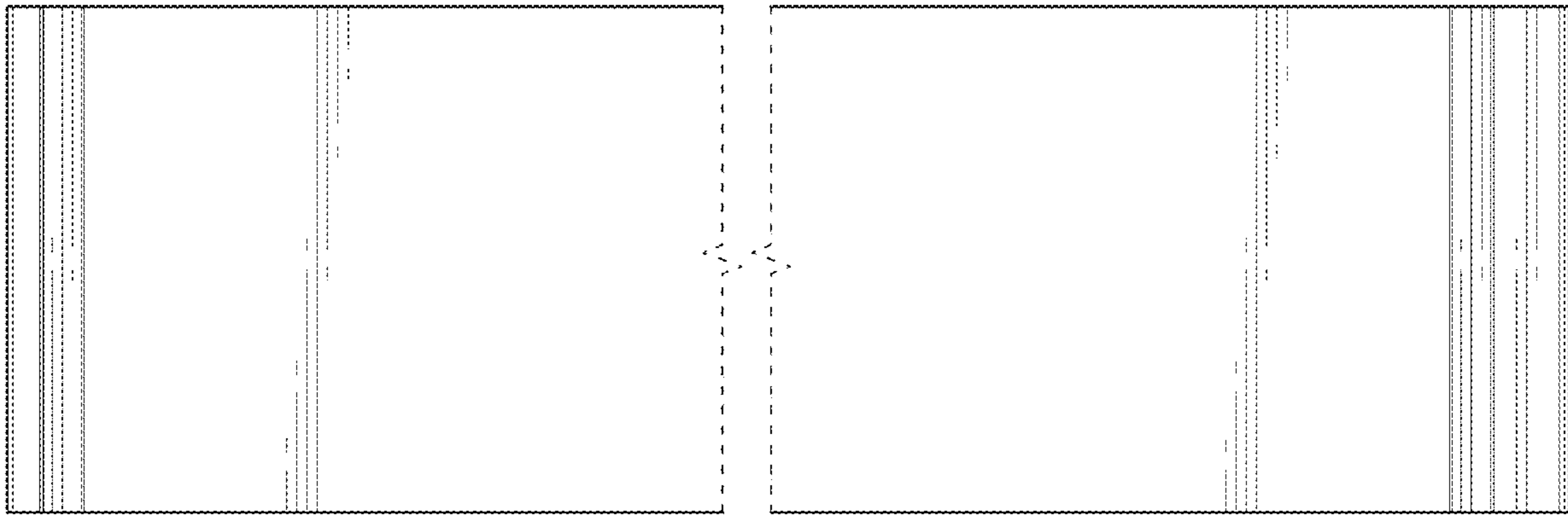


FIG. 7

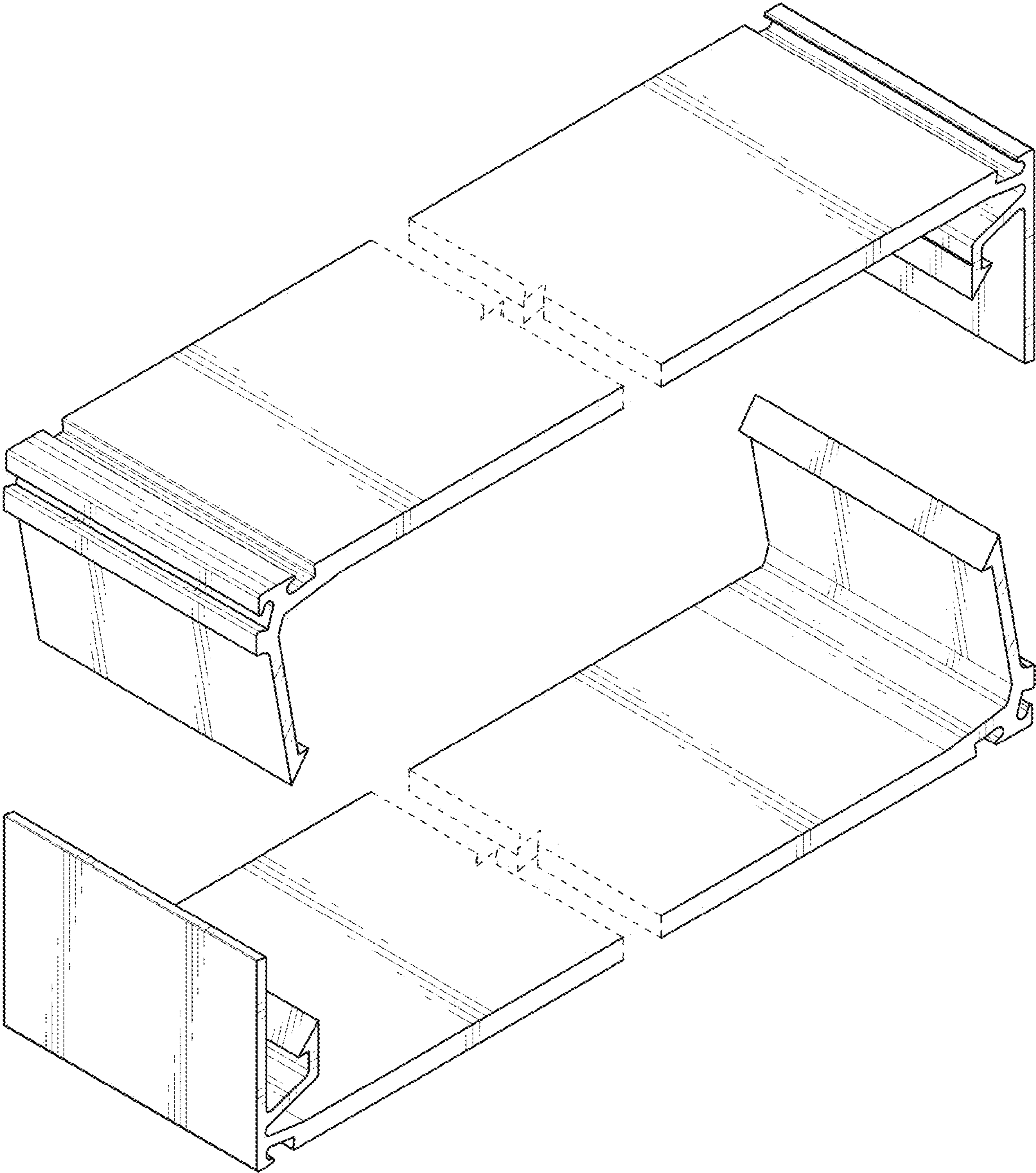


FIG. 8