



US00D989350S

(12) **United States Design Patent** (10) **Patent No.:** **US D989,350 S**
Barnes et al. (45) **Date of Patent:** **** *Jun. 13, 2023**

(54) **SHADING SYSTEM**

(56) **References Cited**

(71) Applicant: **Shibumi Shade, Inc.**, Raleigh, NC (US)

(72) Inventors: **Dane Brooks Barnes**, Raleigh, NC (US); **Alexander Griffith Slater**, Raleigh, NC (US); **Scott Christian Barnes**, Raleigh, NC (US)

(73) Assignee: **Shibumi Shade, Inc.**, Raleigh, NC (US)

(*) Notice: This patent is subject to a terminal disclaimer.

(**) Term: **15 Years**

(21) Appl. No.: **29/860,120**

(22) Filed: **Nov. 16, 2022**

U.S. PATENT DOCUMENTS

1,129,194 A	2/1915	Hanley	
1,571,295 A	2/1926	Newman	
2,055,044 A *	9/1936	Nelson	E04H 15/324 5/413 R
2,186,510 A	1/1940	Walter et al.	
2,190,566 A	2/1940	Julian	
2,554,688 A	5/1951	Vollweiler	
2,963,031 A	12/1960	Carroll	
3,042,053 A	7/1962	Gabriel	
3,051,185 A	8/1962	Reynolds	
3,052,249 A	9/1962	Seaman et al.	
3,070,107 A	12/1962	Beatty	
3,075,536 A	1/1963	Parker	
3,165,110 A *	1/1965	Brooks	E04H 15/644 D25/120
3,190,300 A	6/1965	Wear'n	
3,286,962 A	11/1966	Warth	
3,388,711 A	6/1968	Huddle	
3,394,720 A	7/1968	Moss	
3,970,096 A *	7/1976	Nicolai	E04H 15/14 135/117
4,098,281 A *	7/1978	Bonfilio	E04H 15/38 135/130
4,312,371 A *	1/1982	Koon	A45B 11/00 135/20.1
D263,984 S	4/1982	Moss	
4,404,980 A *	9/1983	Wade	E04H 15/36 D25/19
4,590,956 A	5/1986	Griesenbeck	
4,646,770 A	3/1987	Lobato	
4,739,784 A	4/1988	Fast	
4,750,508 A	6/1988	Tatoian	
4,829,694 A *	5/1989	Oasheim	A01M 31/025 135/901
4,915,120 A	4/1990	Ziolkowski	
4,924,893 A	5/1990	Furey	
4,930,534 A	6/1990	Hill	
4,941,422 A *	7/1990	Muller	B63B 17/02 114/201 R
5,046,699 A	9/1991	Perreault et al.	
5,080,123 A	1/1992	Stein	
5,215,109 A	6/1993	Kent, Jr.	
5,291,640 A	3/1994	Rise	
5,299,590 A	8/1994	Deibert et al.	
5,358,209 A	10/1994	Ward	
D363,755 S	10/1995	Diederich	
5,546,971 A	8/1996	Leonhardt	

Related U.S. Application Data

(63) Continuation of application No. 29/753,433, filed on Sep. 30, 2020, which is a continuation of application No. 29/709,175, filed on Oct. 11, 2019, which is a continuation of application No. 16/224,465, filed on Dec. 18, 2018, now Pat. No. 10,753,117, which is a continuation of application No. 15/675,715, filed on Aug. 12, 2017, now Pat. No. 10,190,330.

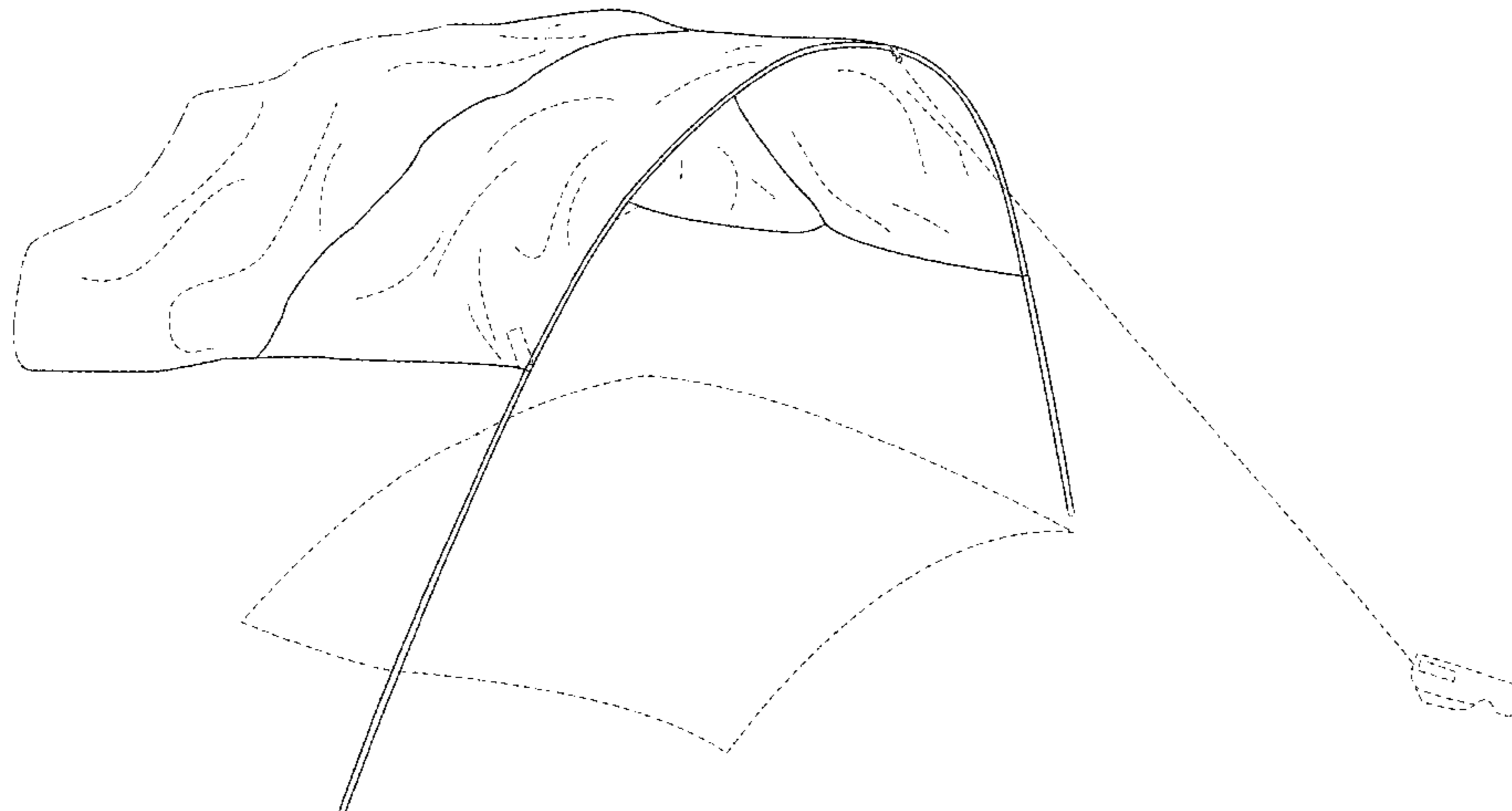
(51) **LOC (14) Cl.** **21-04**

(52) **U.S. Cl.**
 USPC **D21/837**
 CPC **E04H 15/003** (2013.01); **E04H 15/30** (2013.01); **E04H 15/32** (2013.01); **E04H 15/36** (2013.01); **E04H 15/44** (2013.01)

(58) **Field of Classification Search**

USPC D21/834, 837, 838; D25/56
 CPC E04H 15/00; E04H 15/003; E04H 15/40; E04H 15/405; E04H 15/44; E04H 15/42; E04H 15/425

See application file for complete search history.



US D989,350 S

Page 2

5,595,203	A *	1/1997	Espinosa	E04H 15/40	11,156,012	B2	10/2021	Graham
				135/124	11,219,286	B2	1/2022	Cox
5,678,704	A	10/1997	Deeds		D947,975	S	4/2022	Lah
5,690,134	A *	11/1997	McCauley	A47G 9/062	D948,653	S	4/2022	Lah
				135/900	D960,277	S	8/2022	Lah
D390,730	S *	2/1998	Gerhart	D6/718.29	2003/0066550	A1	4/2003	Al-Ghamdi
5,771,912	A	6/1998	Swetish		2003/0089390	A1	5/2003	Seo
D397,401	S	8/1998	Diederich		2007/0079857	A1	4/2007	Tseng
D398,363	S	9/1998	LoBue		2012/0291830	A1	11/2012	Crimi
5,823,217	A	10/1998	Rice		2013/0074894	A1	3/2013	Cook
5,927,311	A	7/1999	Jager		2014/0041703	A1	2/2014	Funston
5,950,649	A	9/1999	Gerig		2014/0209132	A1	7/2014	Landry
6,026,613	A *	2/2000	Quiring	E04C 3/40	2015/0040957	A1	2/2015	Mallookis et al.
				52/63	2015/0252585	A1	9/2015	Mallookis et al.
D421,532	S	3/2000	Koroncai		2015/0354244	A1	12/2015	Fernandez Gonzalez
6,062,243	A *	5/2000	Tuch	E04H 15/36	2016/0017631	A1 *	1/2016	Gilmore
				135/124				E04H 15/324
D438,929	S	3/2001	Middleton et al.					135/143
6,272,695	B1 *	8/2001	Brandner	E04H 4/108	2018/0245367	A1 *	8/2018	Grieshop
				4/498	2022/0024290	A1 *	1/2022	Howard
6,276,382	B1 *	8/2001	Bindschatel	A47B 37/04	2023/0096848	A1 *	3/2023	Wang
				135/96				E04H 15/54
6,321,861	B1	11/2001	Leichter					135/126
6,402,220	B2 *	6/2002	Allen	B62J 19/00				
				135/124				
6,434,891	B1 *	8/2002	Cameron	E04H 15/36				
				52/86				
6,964,277	B2	11/2005	Naber					
7,021,866	B2	4/2006	Keefe					
7,191,996	B2	3/2007	Patsalaridis					
D544,062	S	6/2007	Baker					
D555,748	S	11/2007	Gyr et al.					
7,316,239	B2	1/2008	Yang					
7,406,977	B1	8/2008	Shires					
D577,092	S	9/2008	West					
D593,315	S	6/2009	Zemel					
D601,653	S *	10/2009	Kirkham, Jr.	D21/837				
7,654,277	B1 *	2/2010	Brewer	E04H 15/36				
				248/533				
7,708,339	B2	5/2010	Zapater					
7,721,361	B1 *	5/2010	Shubert	E04H 4/084				
				4/494				
D624,623	S *	9/2010	Viglione	D21/839				
7,789,097	B1	9/2010	Sotirkys et al.					
D630,834	S	1/2011	Cohen					
D638,954	S *	5/2011	Nichols	D21/837				
8,424,549	B1	4/2013	Goldsmith et al.					
8,453,664	B2	6/2013	Parsons et al.					
8,720,461	B2	5/2014	Nichols					
8,899,251	B2	12/2014	Leung et al.					
8,991,411	B1 *	3/2015	Neuman	E04H 15/02				
				135/96				
9,051,755	B2	6/2015	Heining et al.					
9,051,756	B1	6/2015	Jenkins					
9,103,137	B2 *	8/2015	Williams	E04H 15/40				
9,113,724	B1	8/2015	Heining et al.					
D739,555	S	9/2015	McAlister					
D741,437	S	10/2015	Zimmer et al.					
9,187,924	B1 *	11/2015	Jackson	E04H 15/44				
9,371,641	B2 *	6/2016	Christensen	E04H 1/1205				
D761,372	S *	7/2016	Cihal	D21/837				
9,394,719	B2 *	7/2016	Choi	E04H 15/02				
9,394,721	B2 *	7/2016	Hotes	E04H 15/18				
9,435,133	B2 *	9/2016	Bourland	E04H 15/44				
9,447,599	B1	9/2016	Parent					
9,506,268	B1 *	11/2016	Bright	E04H 15/02				
D788,319	S *	5/2017	LeMoine	D21/837				
9,903,134	B2	2/2018	Munnerlyn					
D823,419	S *	7/2018	Ceccaldi	D21/837				
10,066,417	B1	9/2018	Linyard et al.					
D829,839	S *	10/2018	Crimi	D21/834				
10,190,330	B2 *	1/2019	Barnes	E04H 15/36				
D843,200	S	3/2019	Tjerrild					
10,252,778	B1	4/2019	Greer					
D859,808	S	9/2019	Goldszer					
D877,486	S	3/2020	Chen					
10,602,817	B2	3/2020	Price					
D928,899	S	8/2021	Zhu					

FOREIGN PATENT DOCUMENTS

AU	200511300	9/2005
BR	302019005581	12/2019
CA	2524310	4/2006
CH	130505	5/2004
CH	132260	12/2005
DE	10 2009 020 795	11/2010
FR	2 884 844	4/2005
KR	10-1315166	10/2013
WO	WO 02/04768	1/2002
WO	WO 2011/012969	2/2011
WO	WO 2020/089599	5/2020
WO	WO 2022/174316	8/2022

OTHER PUBLICATIONS

Suniela Beach Portable Shade Cabanas, [site visited Oct. 21, 2021], Available on the internet URL: <<https://suniela.com>>.

* cited by examiner

Primary Examiner — Cynthia M. Chin
(74) *Attorney, Agent, or Firm* — Womble Bond Dickinson (US) LLP

(57) CLAIM

The ornamental design for a shading system, as shown and described.

DESCRIPTION

FIG. 1 is a front perspective view of a shading system showing the new design;
FIG. 2 is a front view of the shading system of FIG. 1;
FIG. 3 is a rear view of the shading system of FIG. 1;
FIG. 4 is a left side view of the shading system of FIG. 1;
FIG. 5 is a right side view of the shading system of FIG. 1;
FIG. 6 is a top plan view of the shading system of FIG. 1;
and,
FIG. 7 is a bottom plan view of the shading system of FIG. 1.
The dashed lines shown herein depict environmental subject matter or a portion of the shading system that forms no part of the claimed design. The dot-dashed lines shown herein define the bounds of the claimed design and form no part thereof.

1 Claim, 7 Drawing Sheets

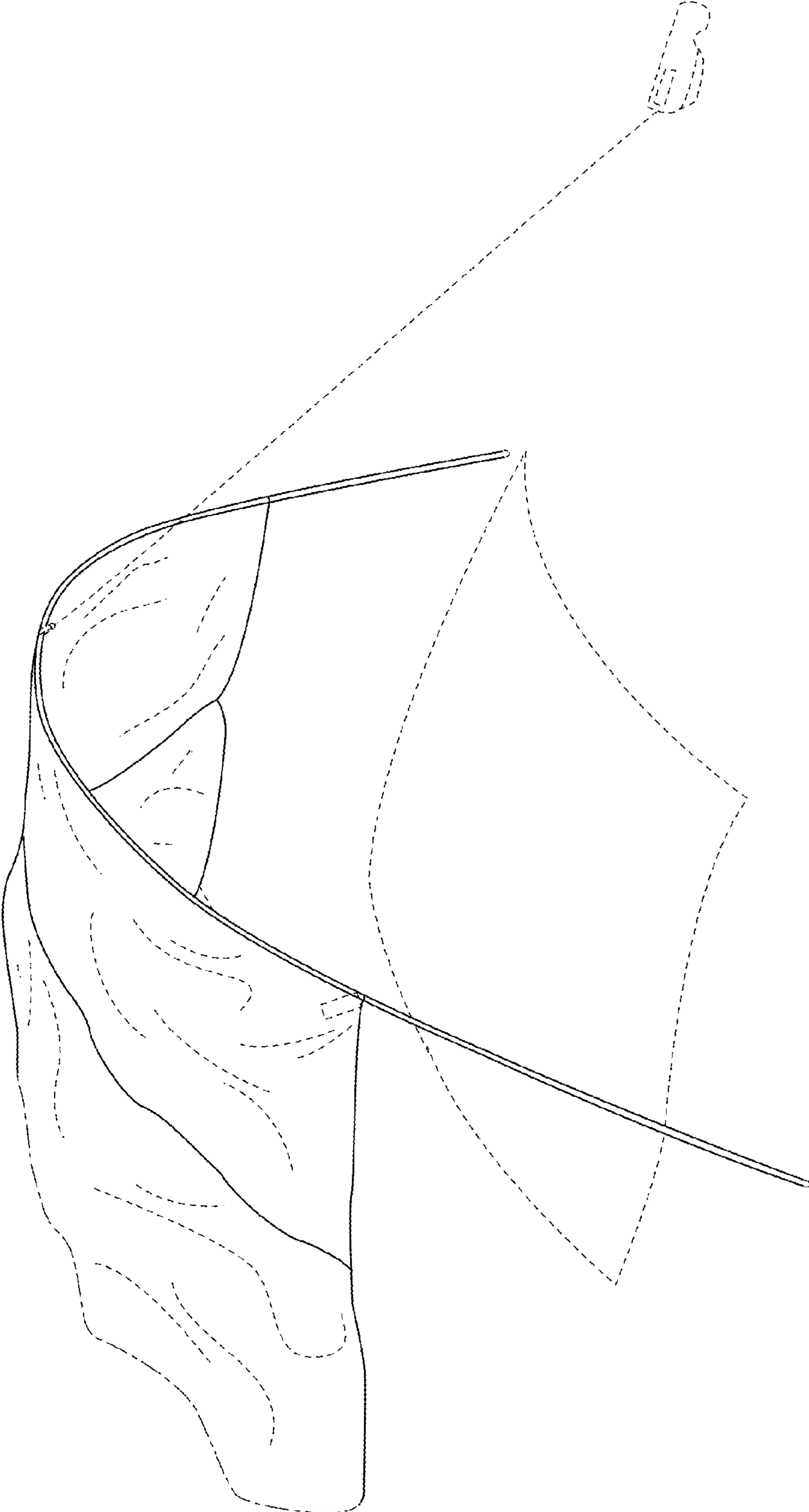


FIG. 1

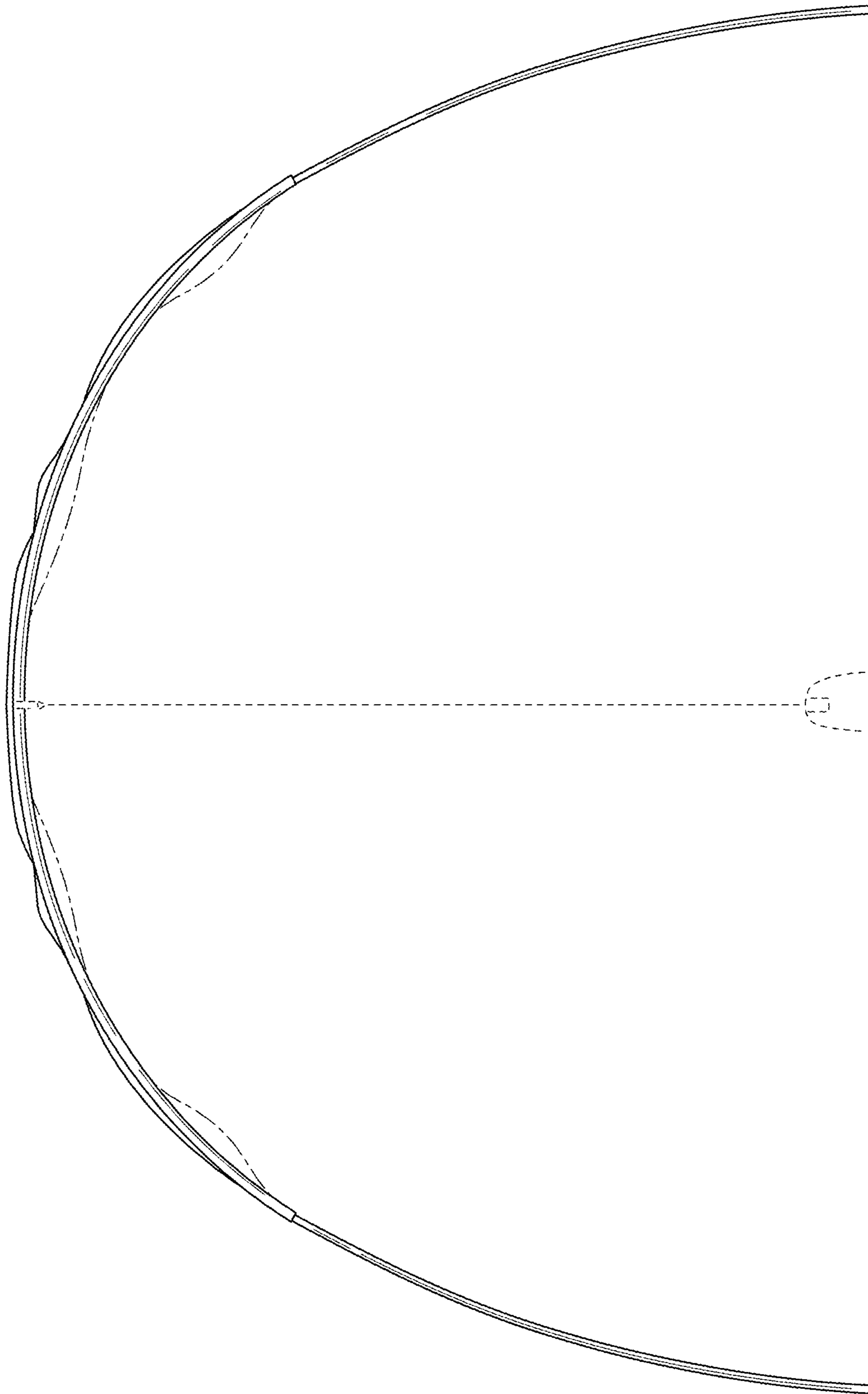


FIG. 2

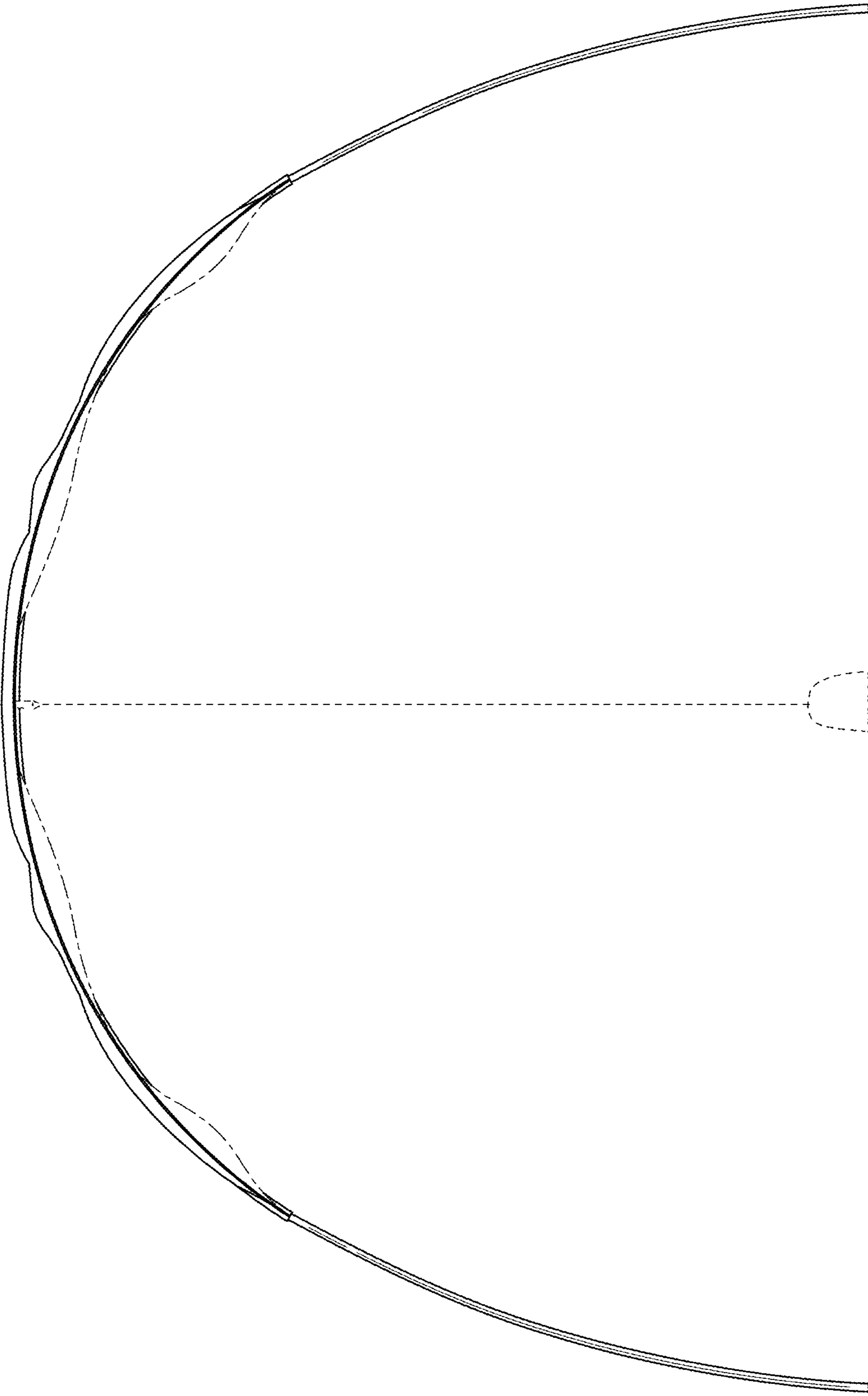


FIG. 3

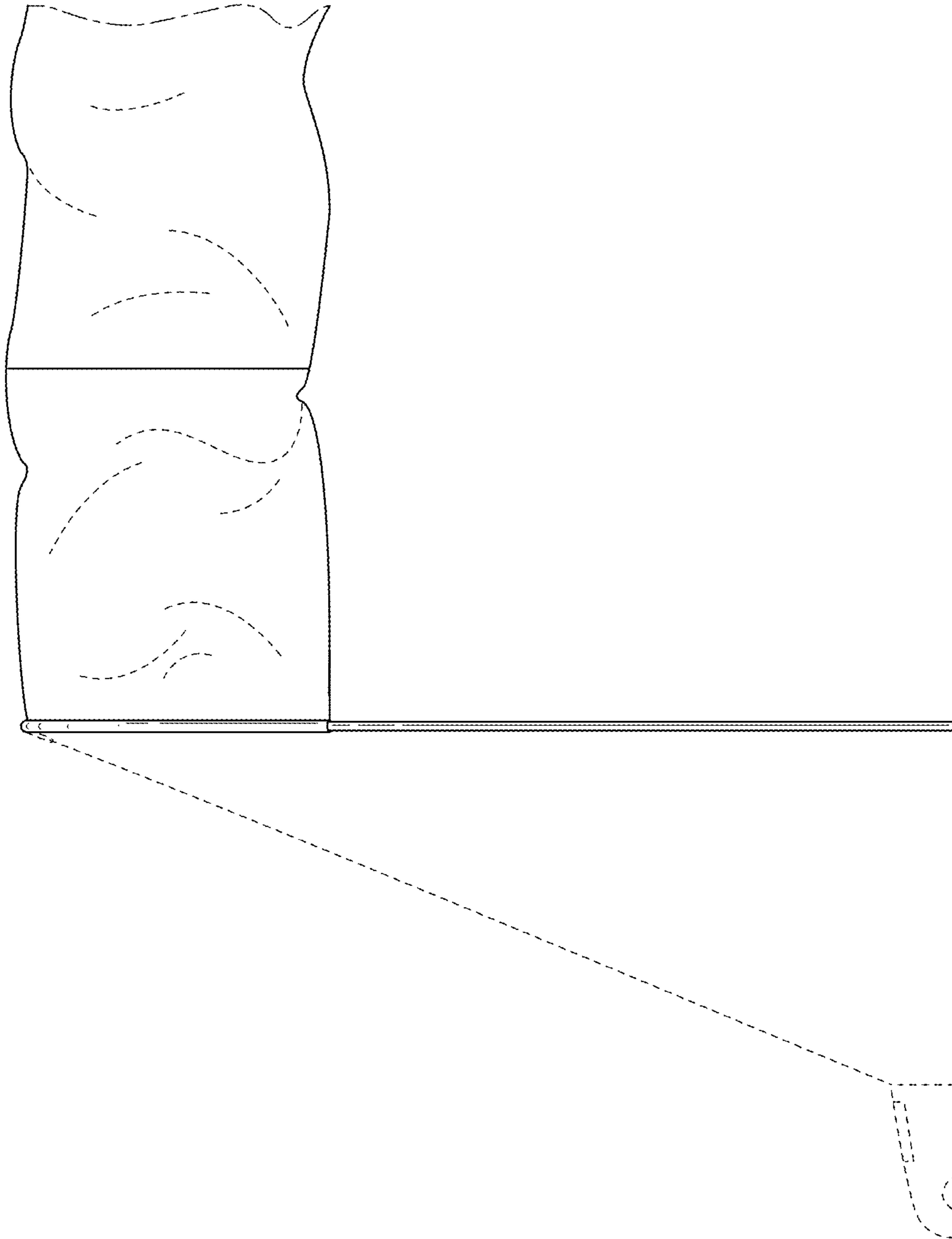


FIG. 4

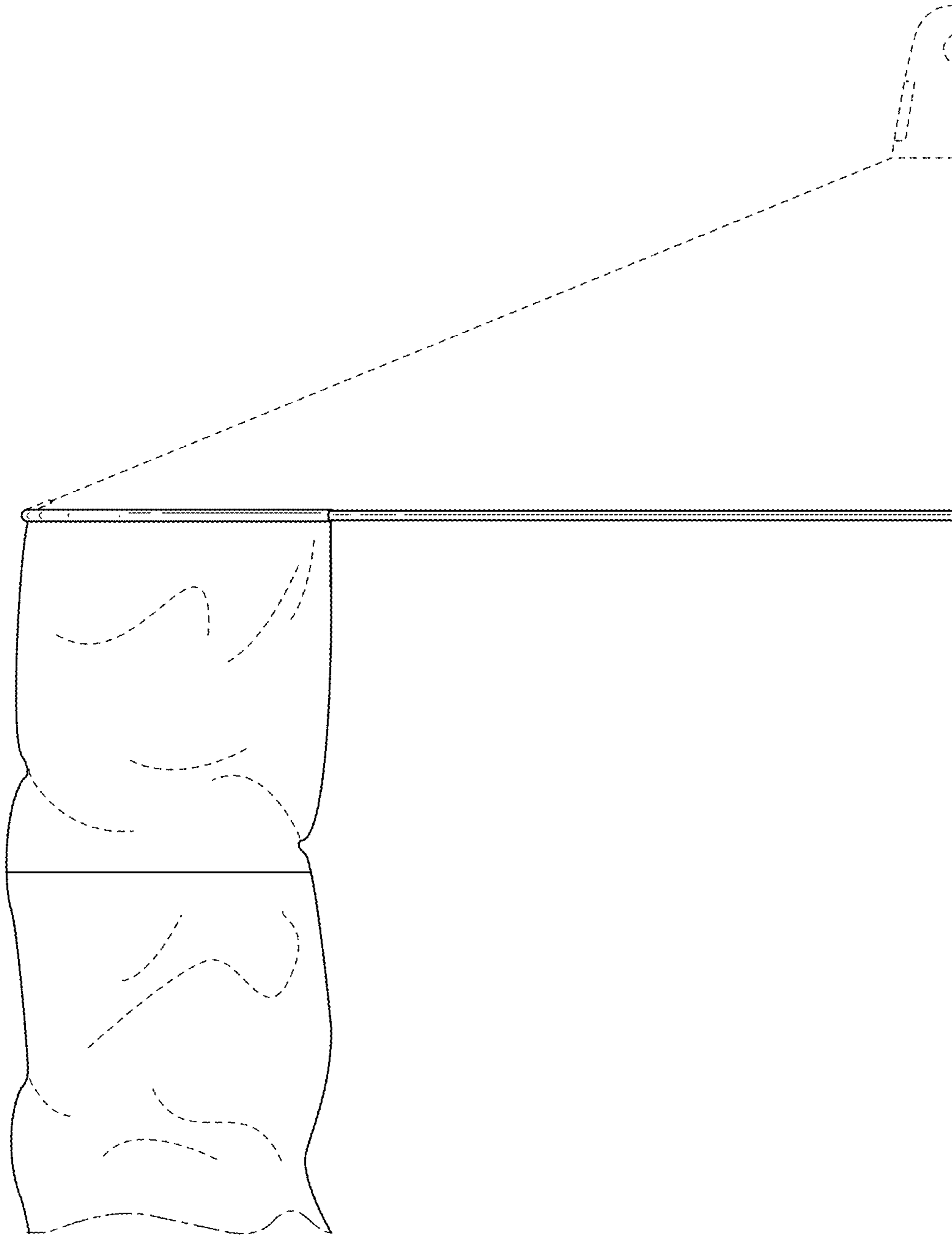


FIG. 5

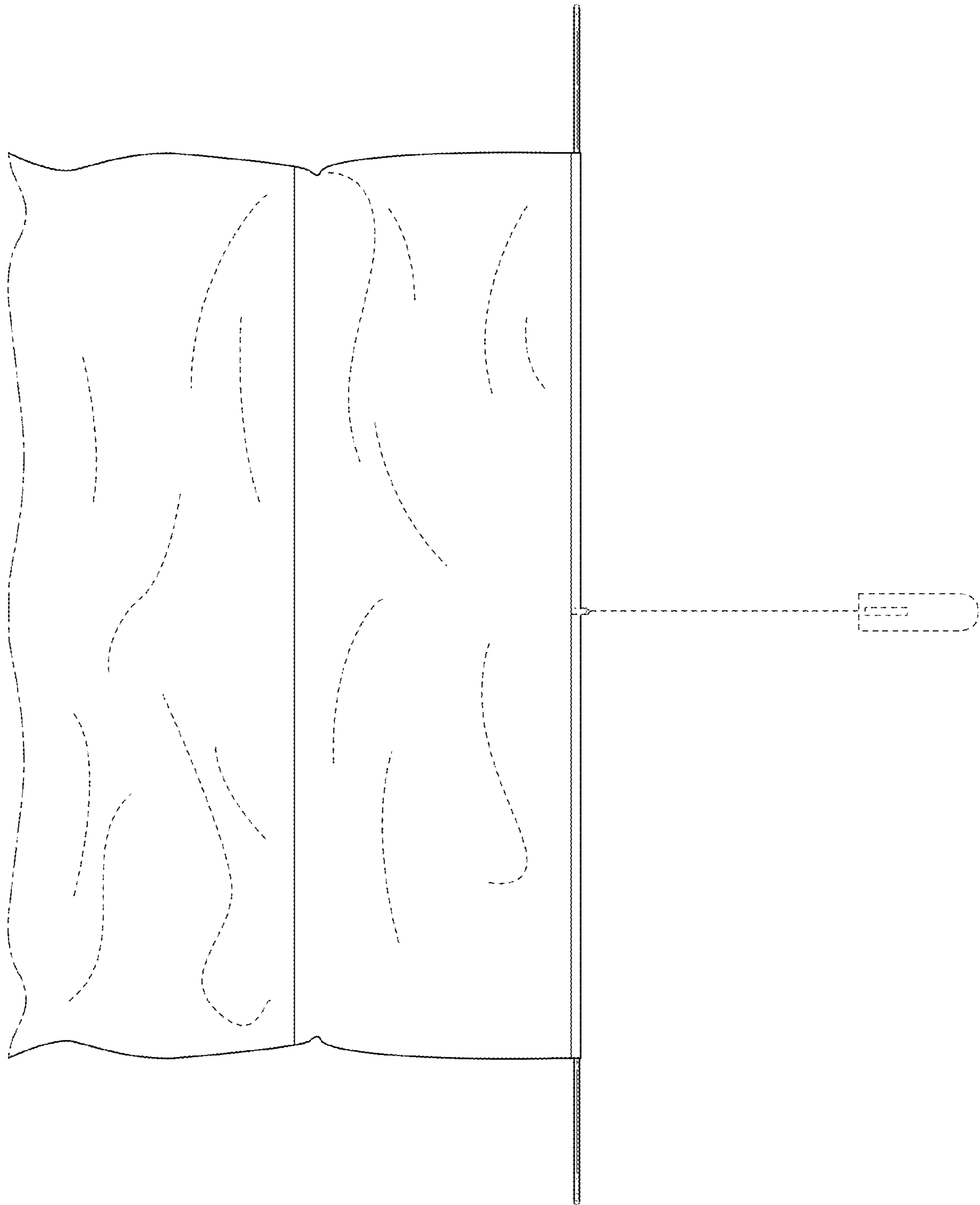


FIG. 6

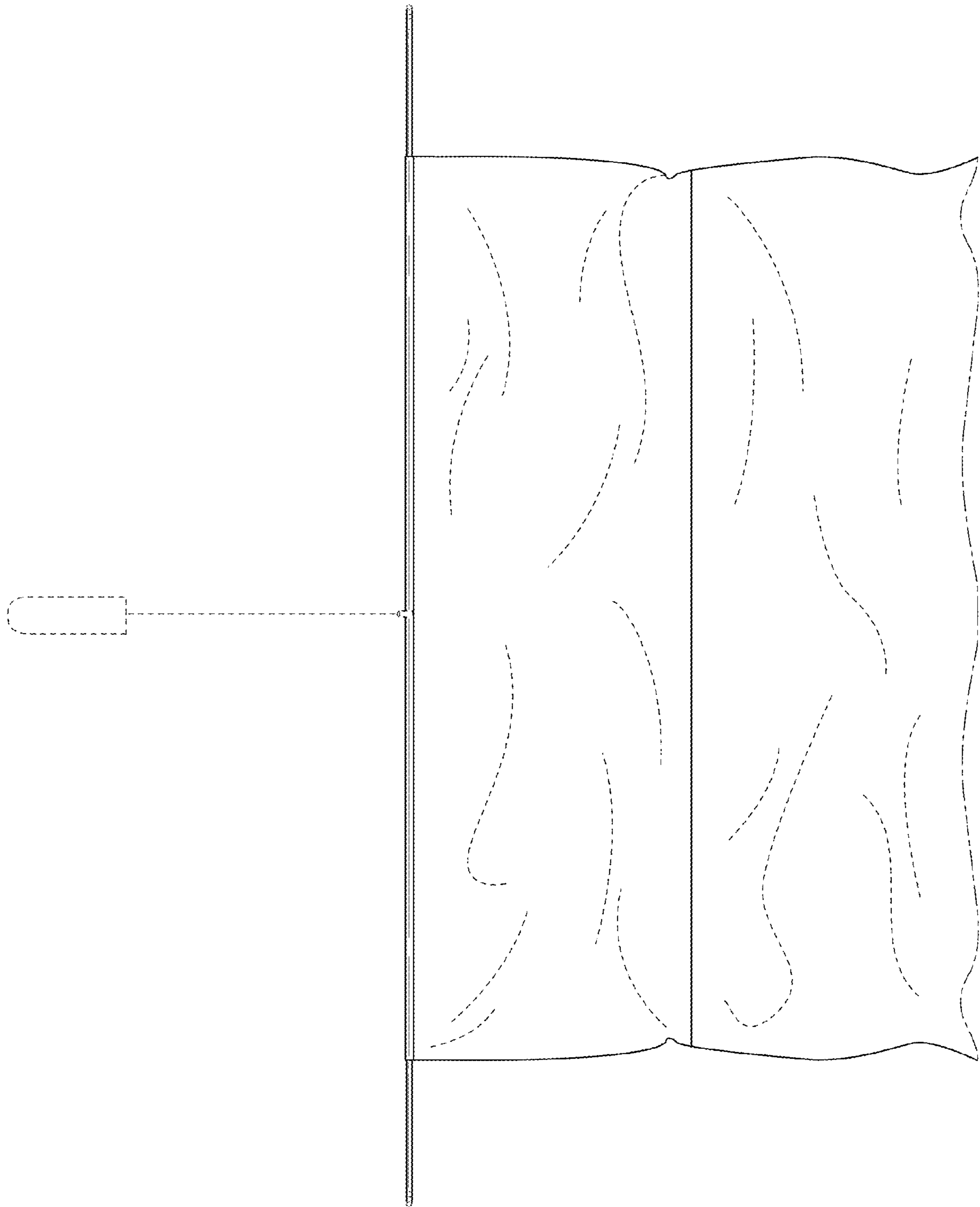


FIG. 7