



US00D989349S

(12) **United States Design Patent** (10) **Patent No.:** **US D989,349 S**
Schoonover et al. (45) **Date of Patent:** **** Jun. 13, 2023**

(54) **RETENTION CONNECTION EXTRUSION FOR A PINCH SENSOR**

Assistant Examiner — Jerry Shiuan-Hua Hsu
(74) *Attorney, Agent, or Firm* — Warn Partners, P.C.

(71) Applicant: **Vintech Industries, Inc.**, Imlay City, MI (US)

(57) **CLAIM**

The ornamental design for a retention connection extrusion for a pinch sensor, as shown and described.

(72) Inventors: **James Schoonover**, Shelby Township, MI (US); **Robert Rutoski**, Imlay City, MI (US)

DESCRIPTION

(73) Assignee: **Vintech Industries Inc.**, Imlay City, MI (US)

FIG. 1 is a perspective view of a retention connection extrusion for a pinch sensor, in accordance with the present invention;

(**) Term: **15 Years**

FIG. 2 is a front elevation view thereof, shown in a condition of use;

(21) Appl. No.: **29/832,873**

FIG. 3 is a front elevation view thereof;

(22) Filed: **Mar. 30, 2022**

FIG. 4 is a right side elevation view thereof;

Related U.S. Application Data

(62) Division of application No. 29/753,427, filed on Sep. 30, 2020, now Pat. No. Des. 951,484, which is a (Continued)

FIG. 5 is a bottom plan view thereof;

(51) **LOC (14) Cl.** **25-02**

FIG. 6 is a left side elevation view thereof;

(52) **U.S. Cl.**

USPC **D25/48.2**; D25/121

FIG. 7 is a top plan view thereof;

(58) **Field of Classification Search**

USPC D8/382, 354, 355, 400, 403, 376; D12/190; D25/35, 38.1, 41.1, 42, 43, 44, (Continued)

FIG. 8 is a rear elevation view thereof;

FIG. 9 is a perspective view of a retention connection extrusion for a pinch sensor, in accordance with a second embodiment of the present invention;

(56) **References Cited**

U.S. PATENT DOCUMENTS

D242,625 S * 12/1976 Schmidt 52/204,591
4,533,278 A * 8/1985 Corsover E01C 11/10
404/69

FIG. 10 is a front elevation view thereof, shown in a condition of use;

FIG. 11 is a front elevation view thereof;

FIG. 12 is a right side elevation view thereof;

FIG. 13 is a bottom plan view thereof;

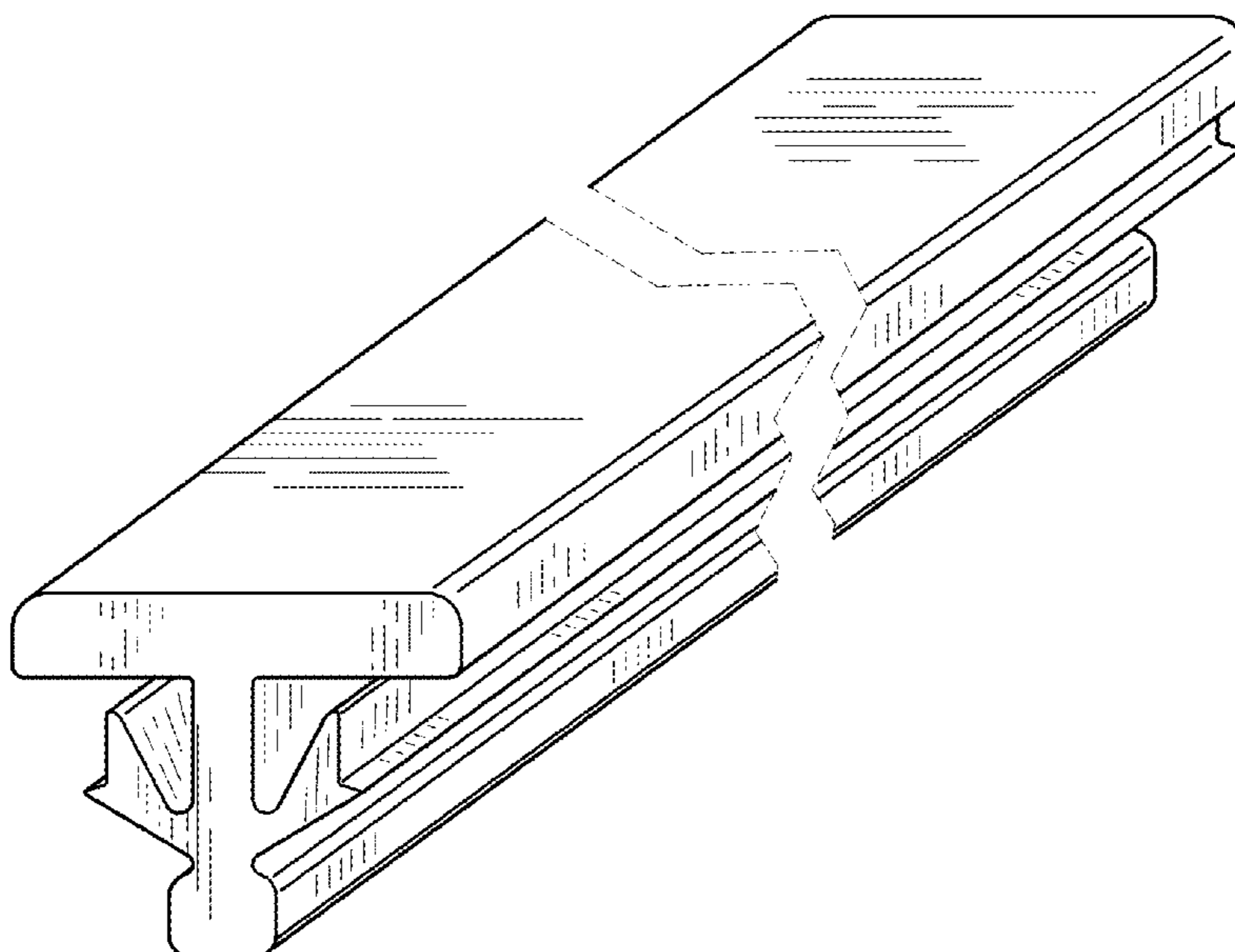
FIG. 14 is a left side elevation view thereof;

FIG. 15 is a top plan view thereof; and,

FIG. 16 is a rear elevation view thereof.

Portions of the article between the symbolic break lines form no part of the claimed design.

The dash-dash broken lines depicting symbolic break lines show boundary lines which form no part of the claimed design. The dash-dash broken lines in FIGS. 2 and 10, illustrate environmental structure which forms no part of the claimed design.



Primary Examiner — Bao-Yen T Nguyen

1 Claim, 6 Drawing Sheets

Related U.S. Application Data

division of application No. 29/594,924, filed on Feb. 23, 2017, now Pat. No. Des. 901,718.

(58) **Field of Classification Search**

USPC D25/47.1, 48.1, 48.4, 58, 119–123, 125, D25/136, 137, 164, 199, 48.2, 61, 55

CPC E04F 19/065; B62D 25/081; B05B 12/20; E01C 11/10

See application file for complete search history.

(56) **References Cited**

U.S. PATENT DOCUMENTS

D324,329 S * 3/1992 Kleiss D8/382
D344,809 S * 3/1994 Bancroft D25/121
D388,183 S * 12/1997 Payton D25/121
D418,353 S * 1/2000 Cadorette D6/579
D499,819 S * 12/2004 Glatz D25/164

D577,445 S * 9/2008 Durrant D25/164
D621,076 S * 8/2010 Vibiano D25/164
D621,245 S * 8/2010 Heindl D8/382
D622,579 S * 8/2010 Heindl D8/382
D664,669 S * 7/2012 Schoonover D25/48.2
D664,670 S * 7/2012 Schoonover D25/48.2
D696,795 S * 12/2013 Mossman D25/48.2
D767,980 S * 10/2016 Bilge D8/382
D791,353 S * 7/2017 Singh D25/119
D860,087 S * 9/2019 Schoonover D12/190
D872,906 S * 1/2020 Oetlinger D25/199
D901,718 S * 11/2020 Schoonover D25/48.2
D902,684 S * 11/2020 Barraco B05B 12/20
D8/71
D951,484 S * 5/2022 Schoonover D25/48.2
2006/0283117 A1 * 12/2006 Williams E04F 19/065
52/393
2015/0068128 A1 * 3/2015 Baxter B62D 25/081
49/495.1

* cited by examiner

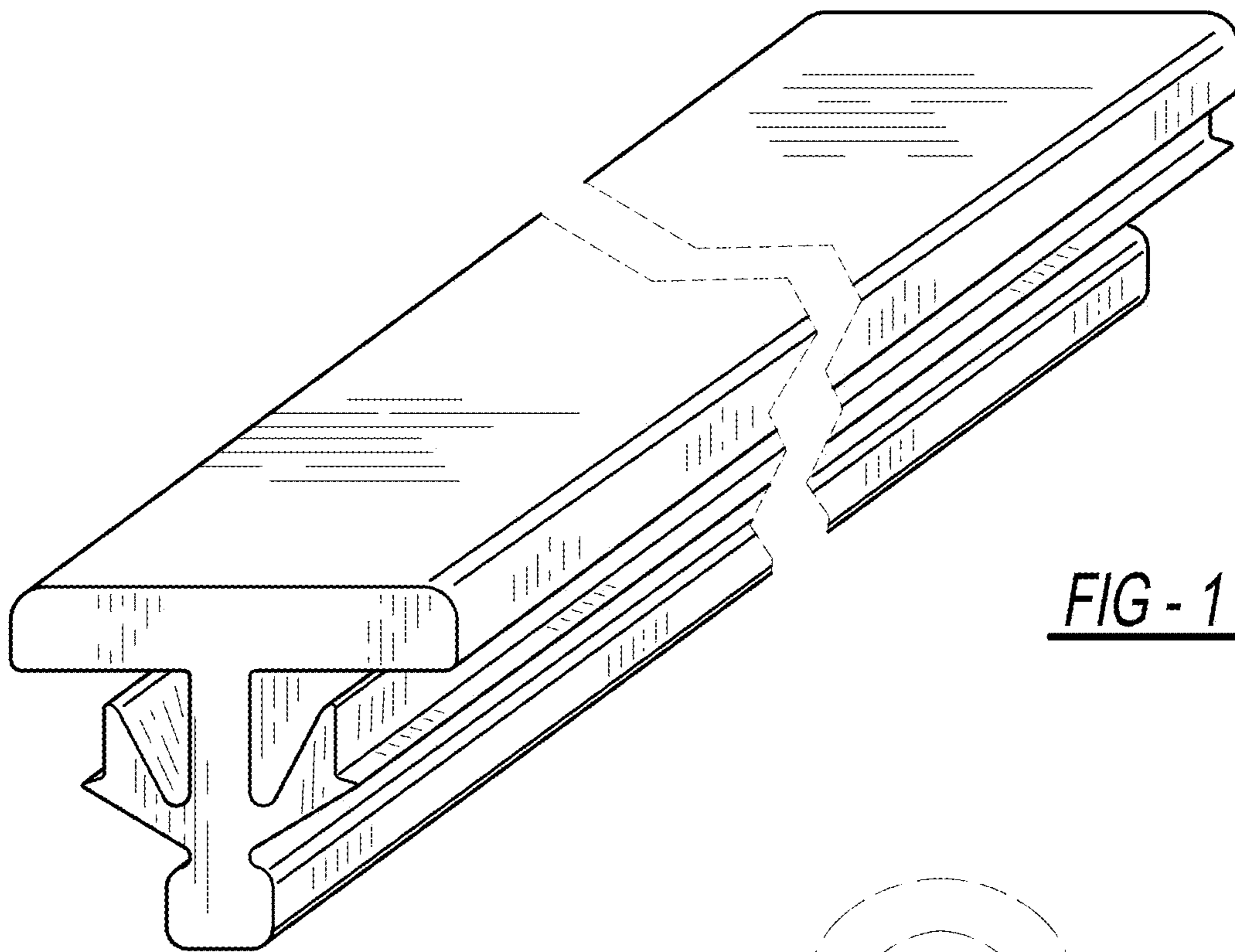


FIG - 1

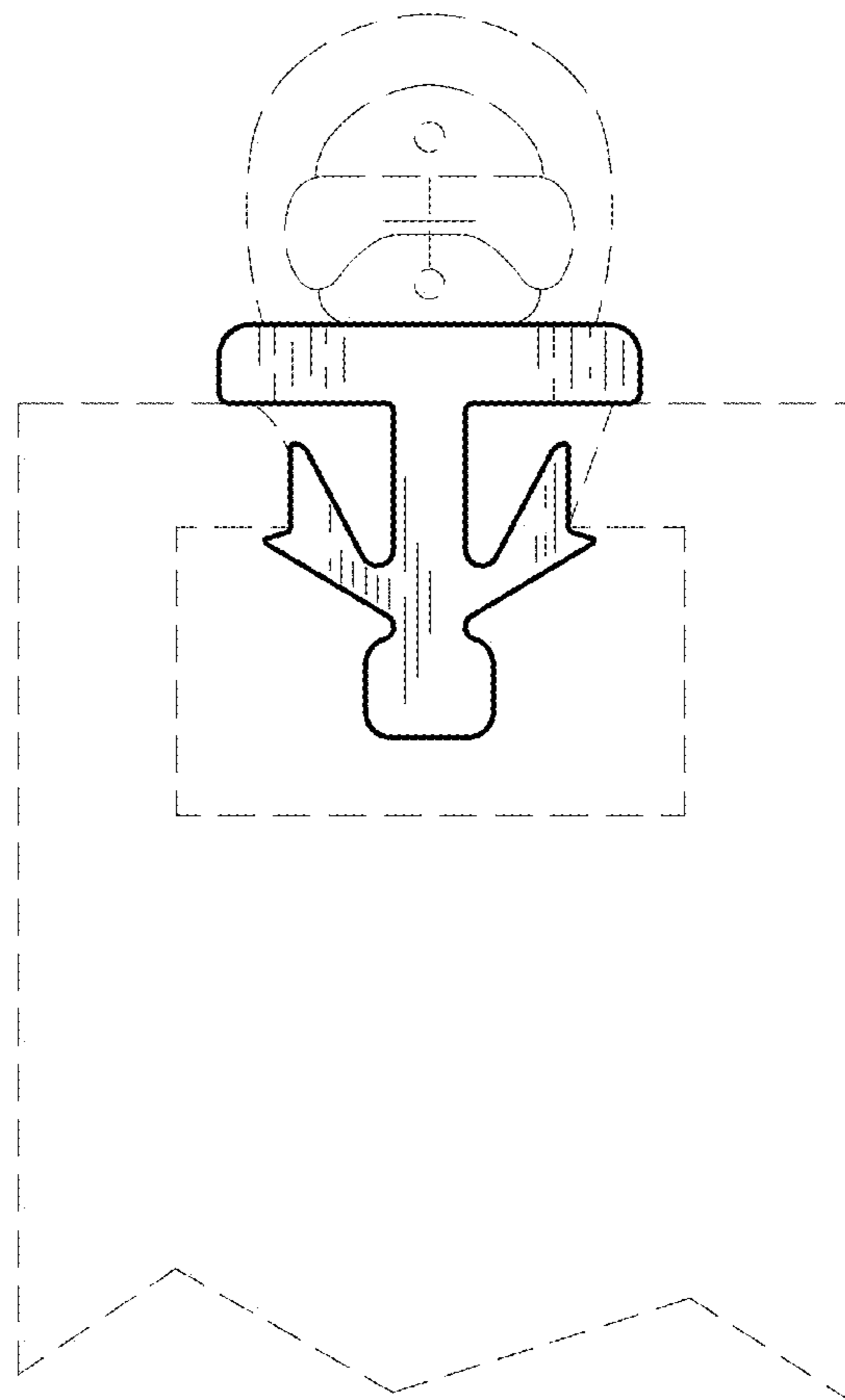


FIG - 2

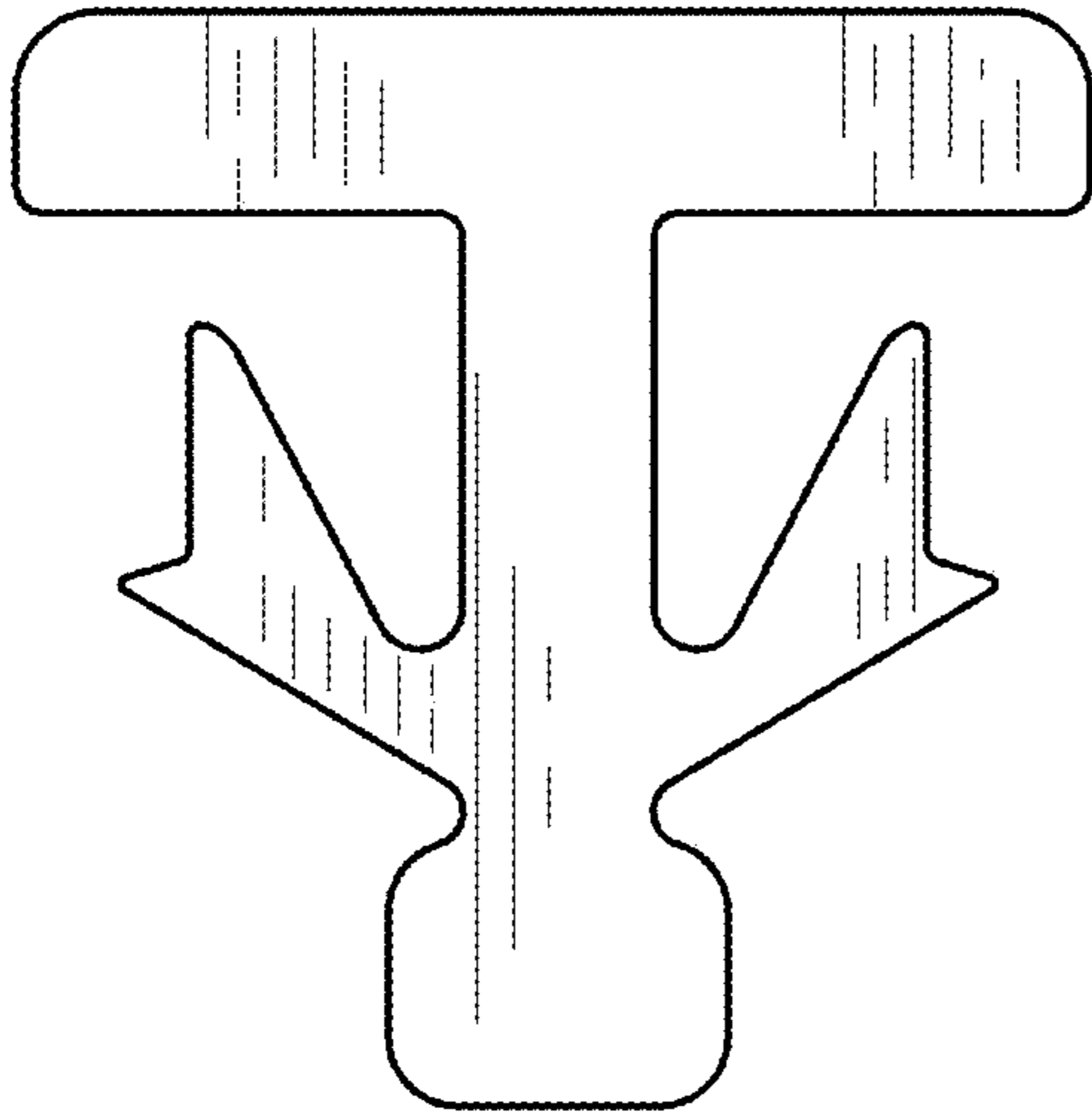


FIG - 3

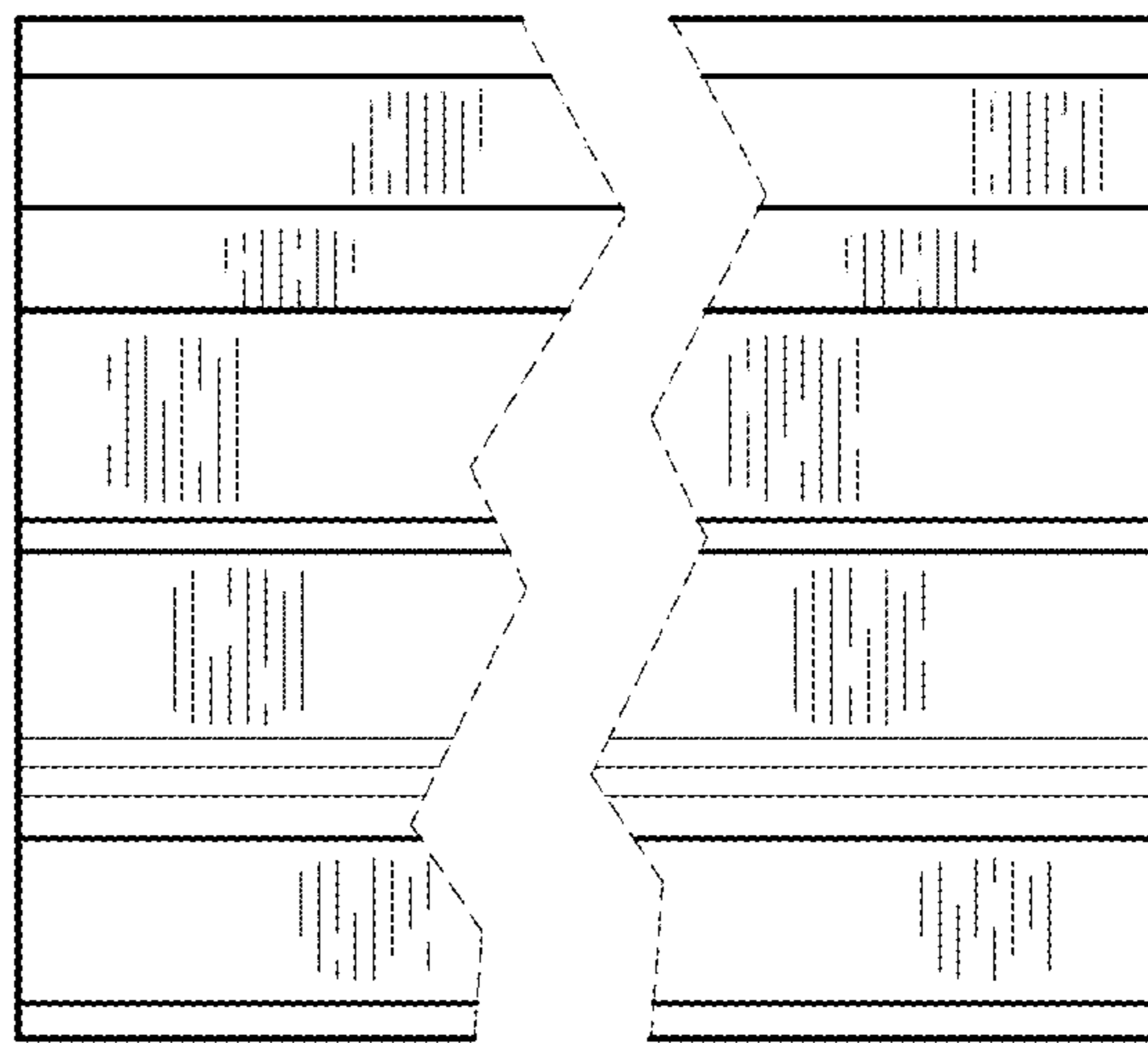


FIG - 4

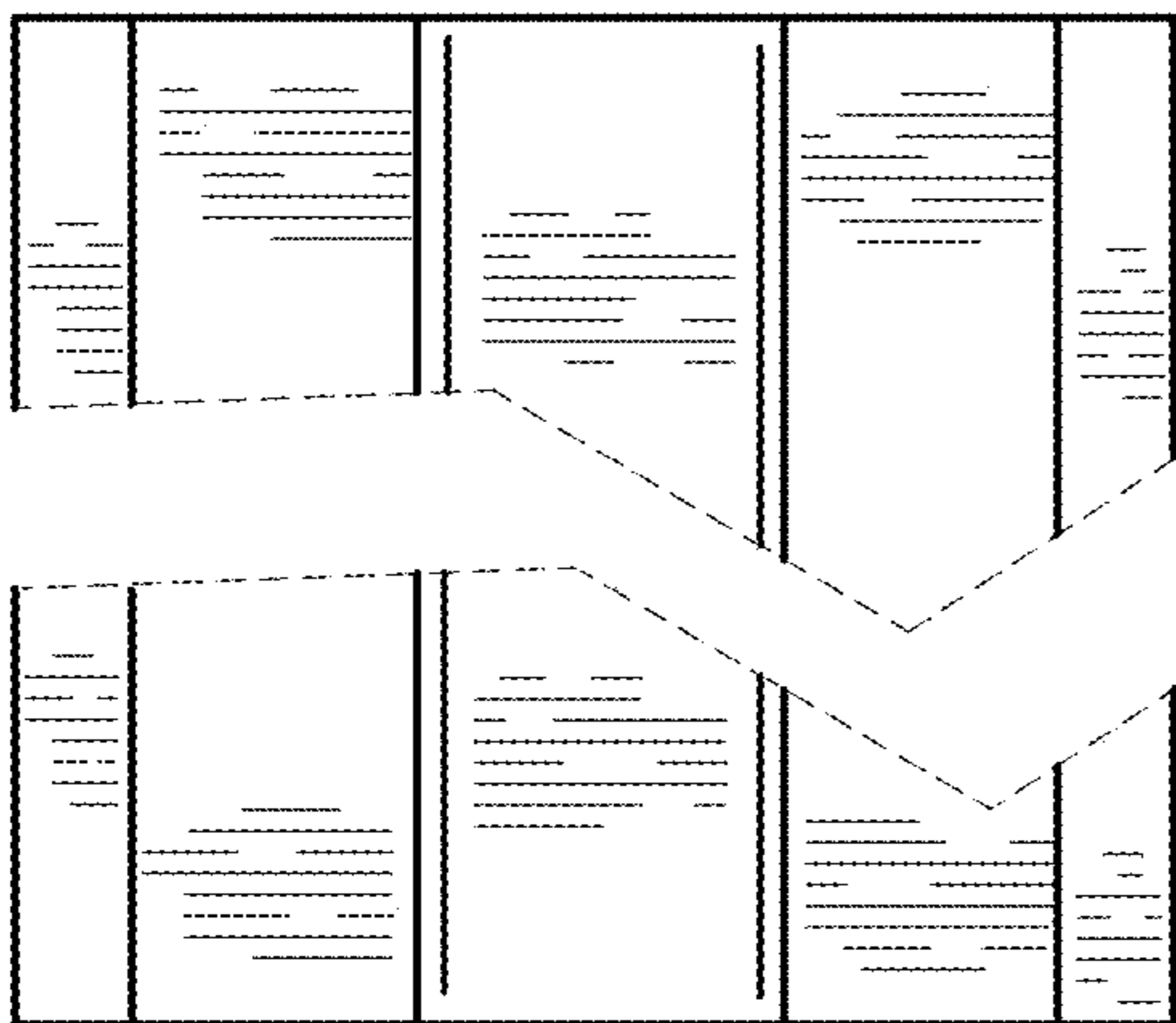


FIG - 5

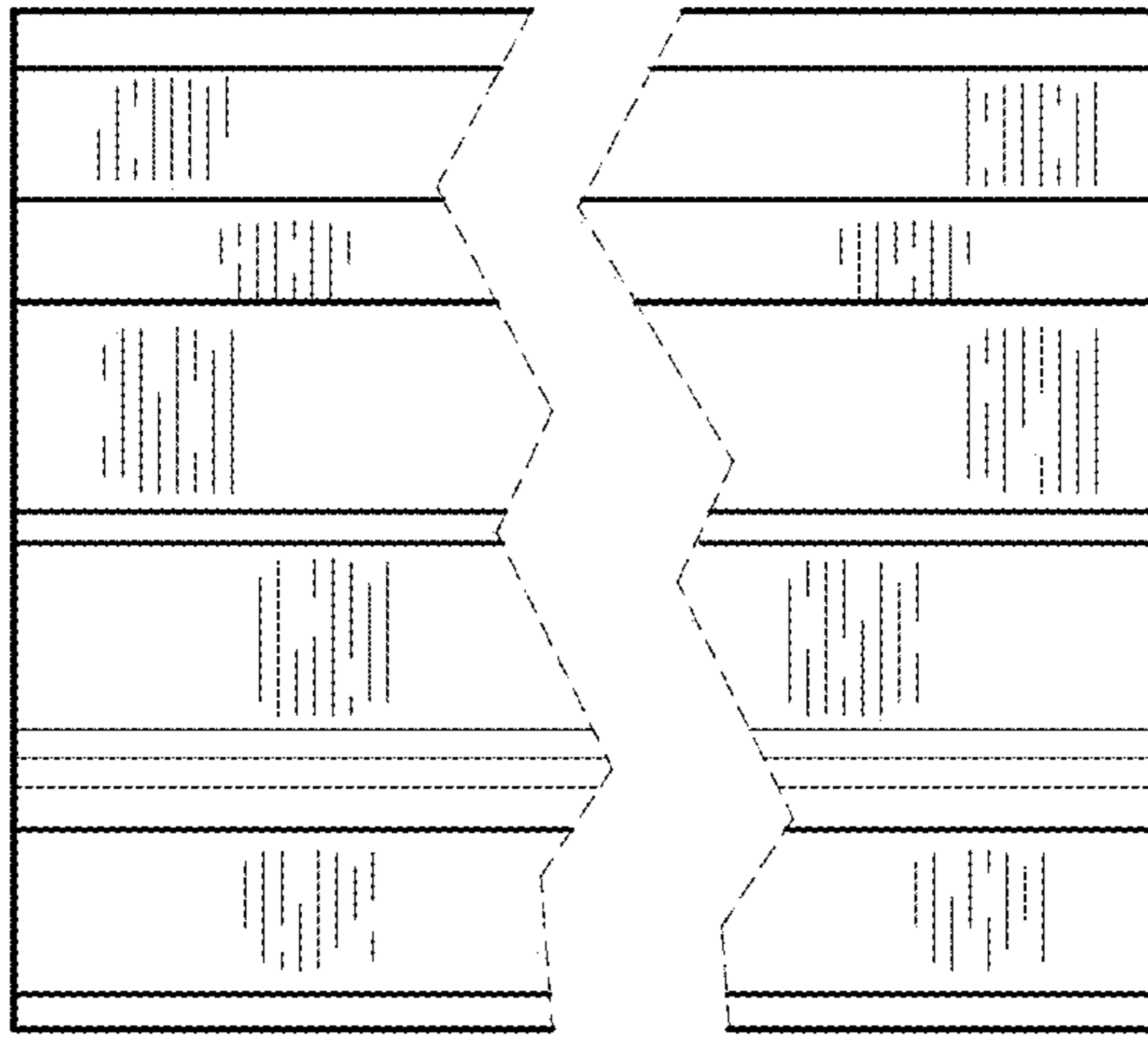


FIG - 6

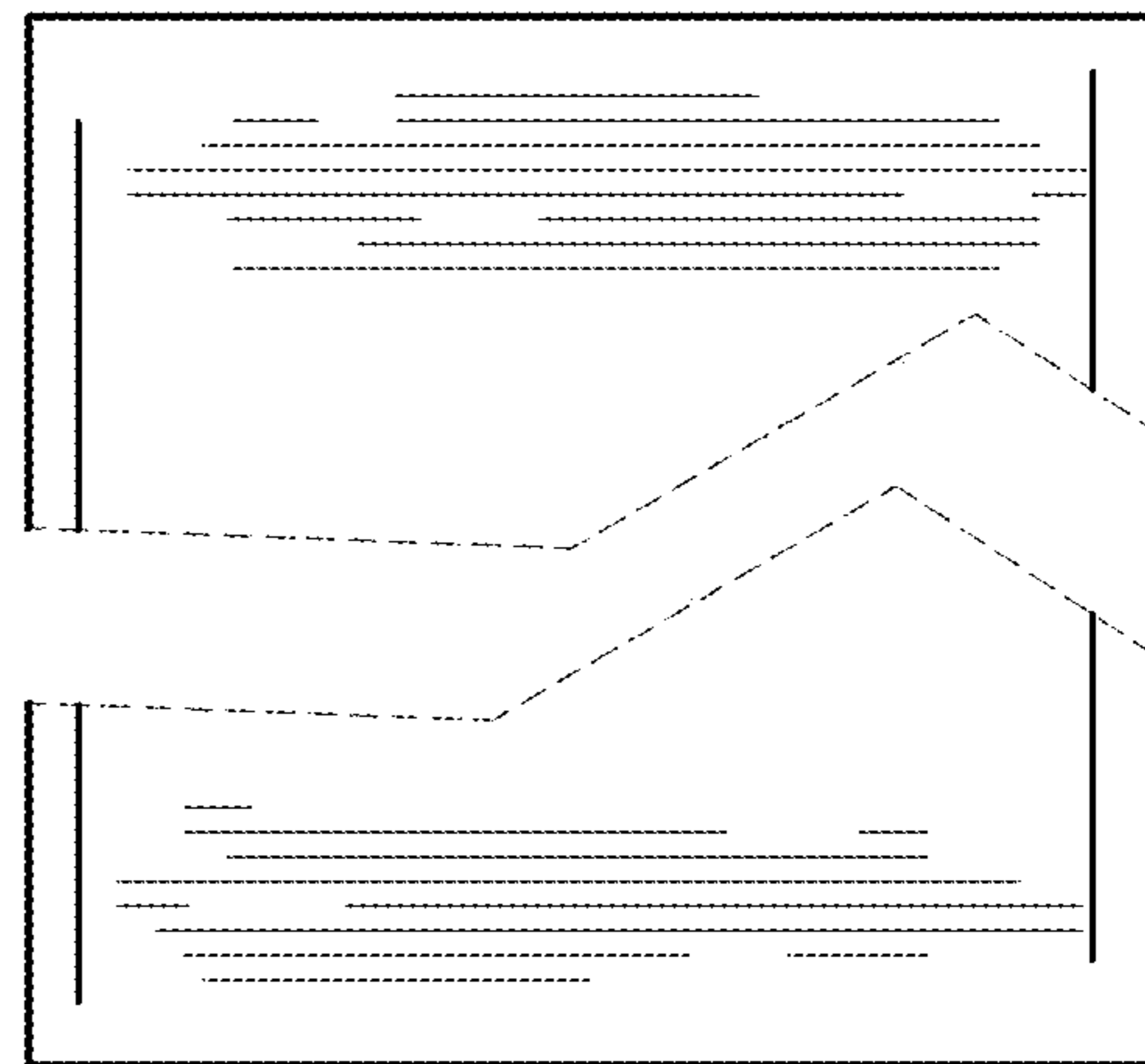


FIG - 7

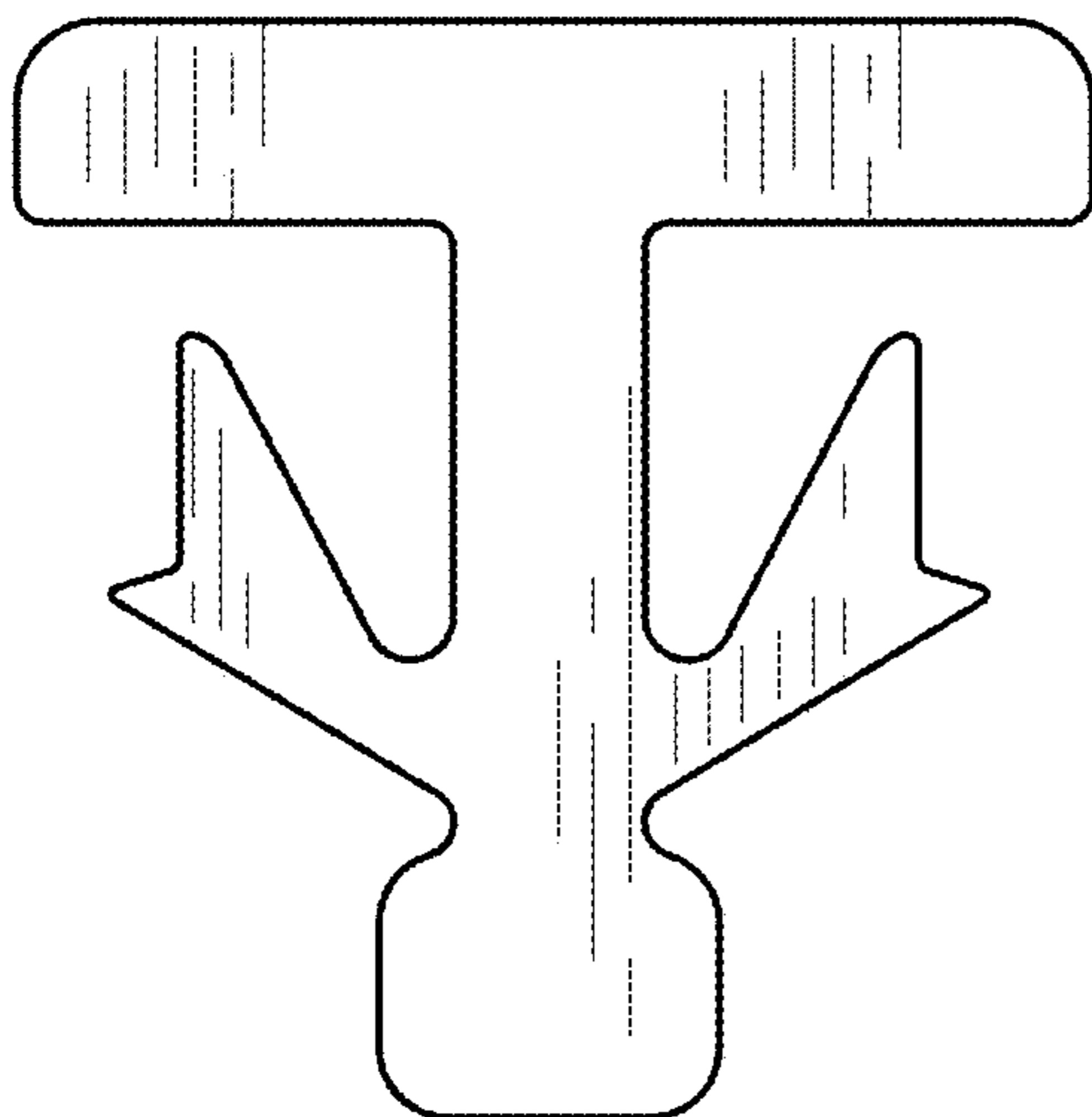


FIG - 8

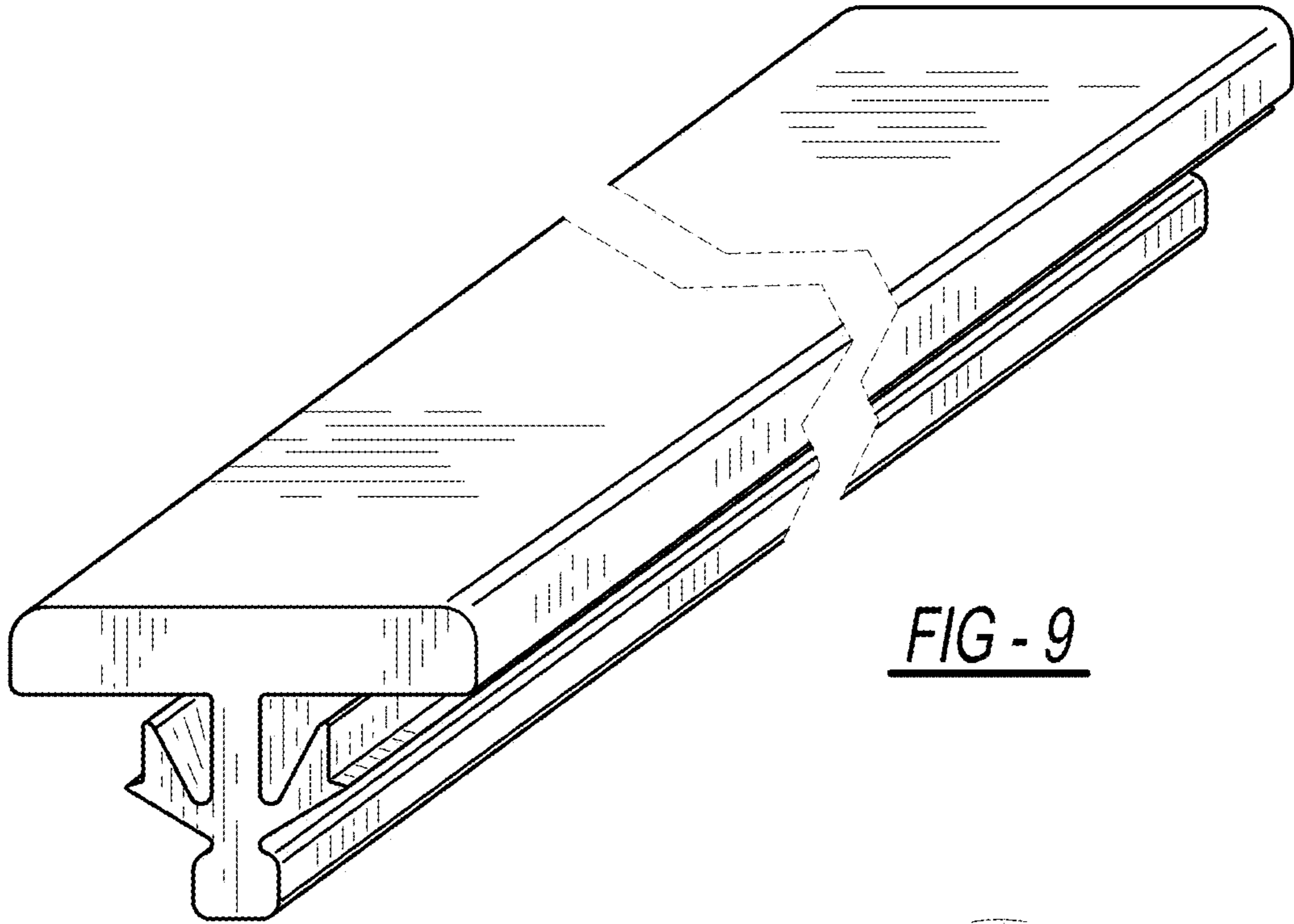
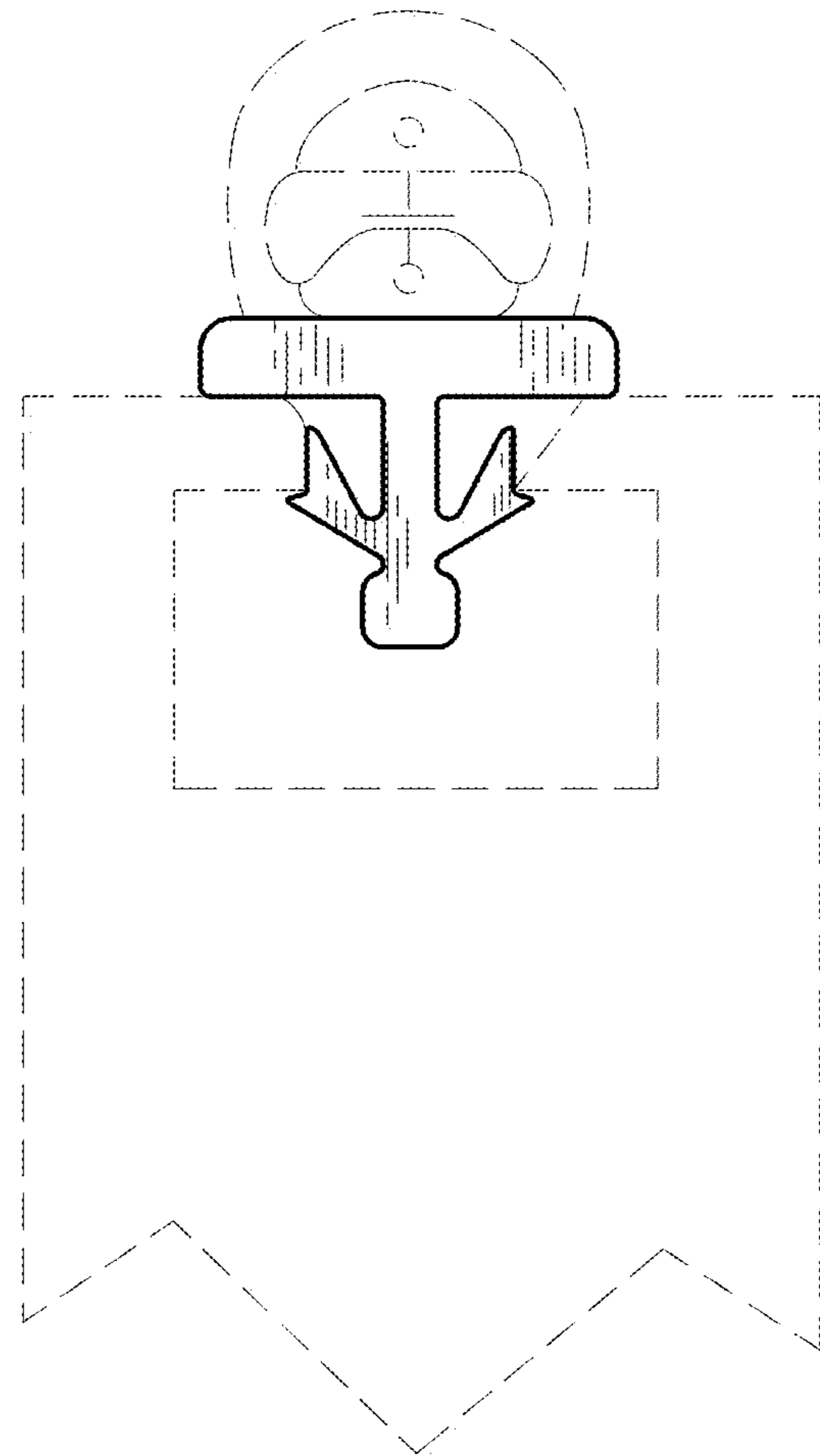


FIG - 10



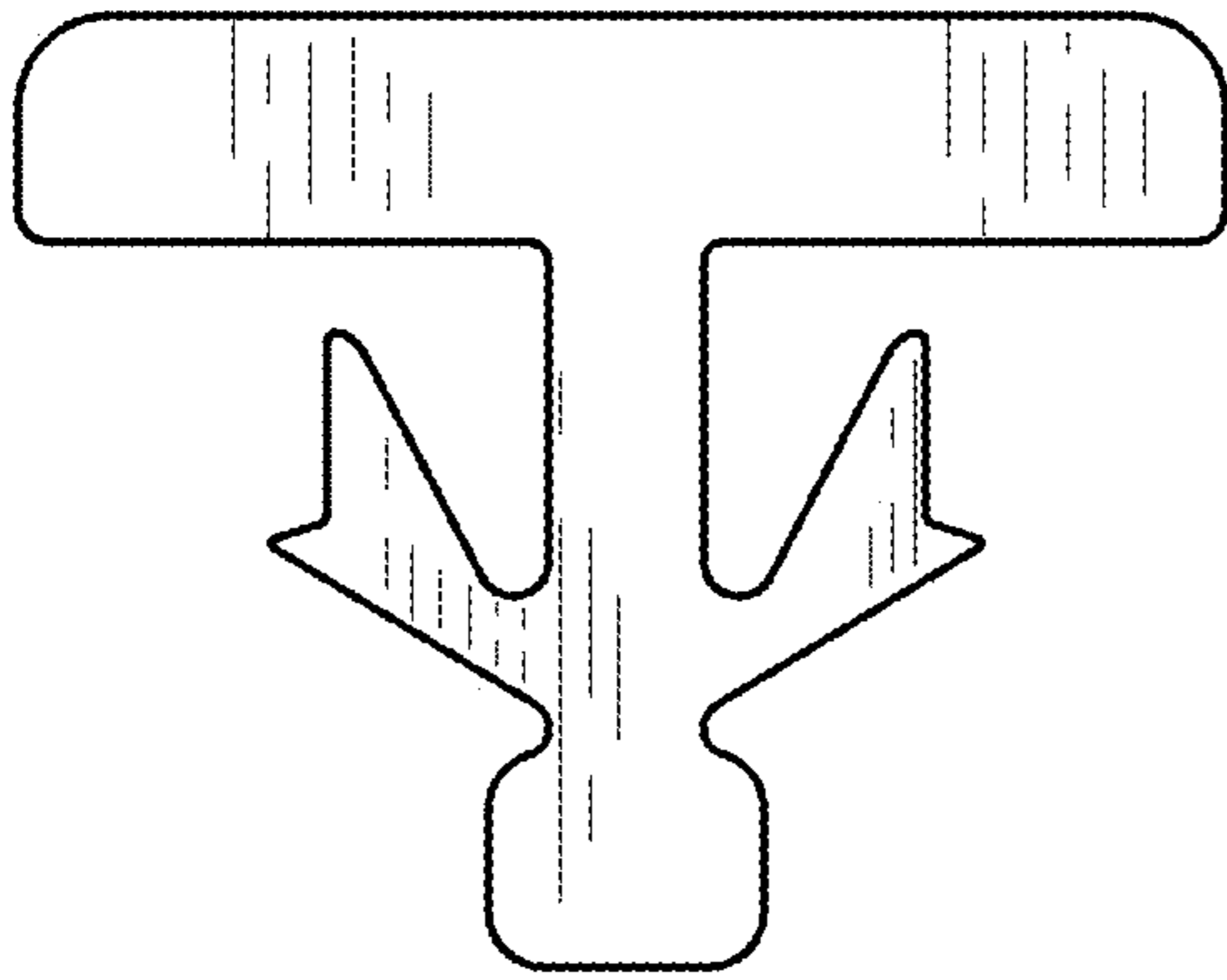


FIG - 11

FIG - 12

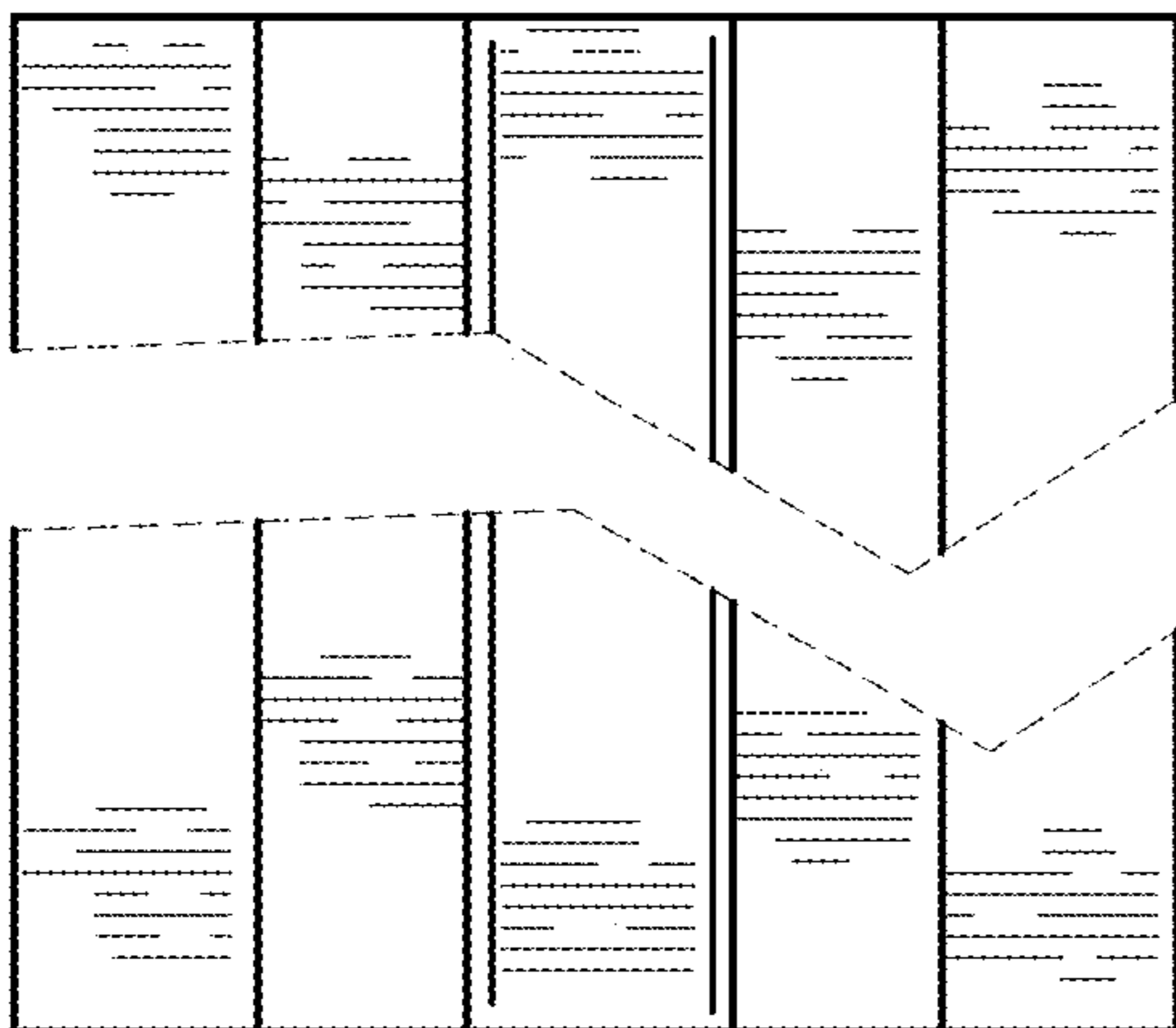
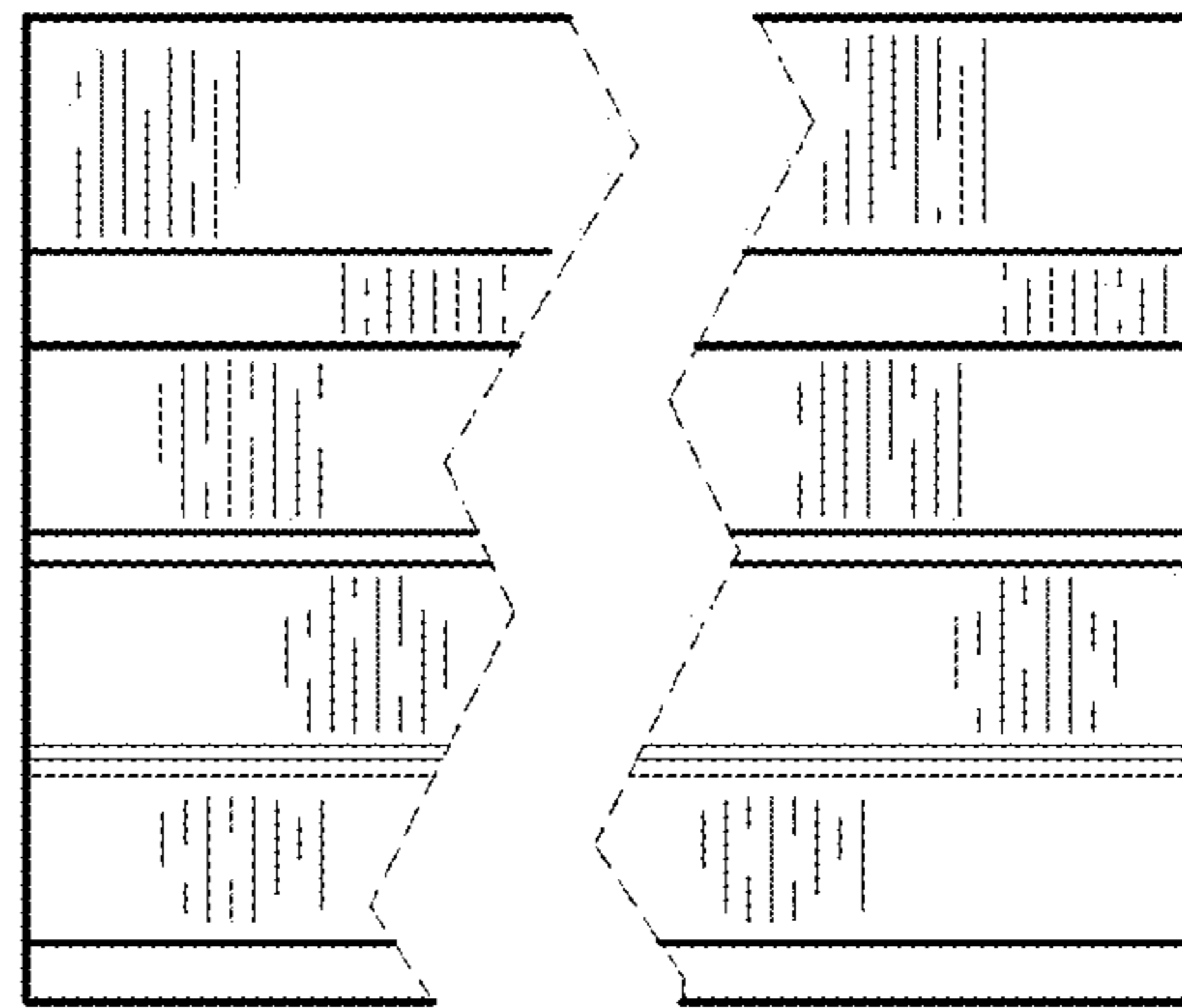


FIG - 13

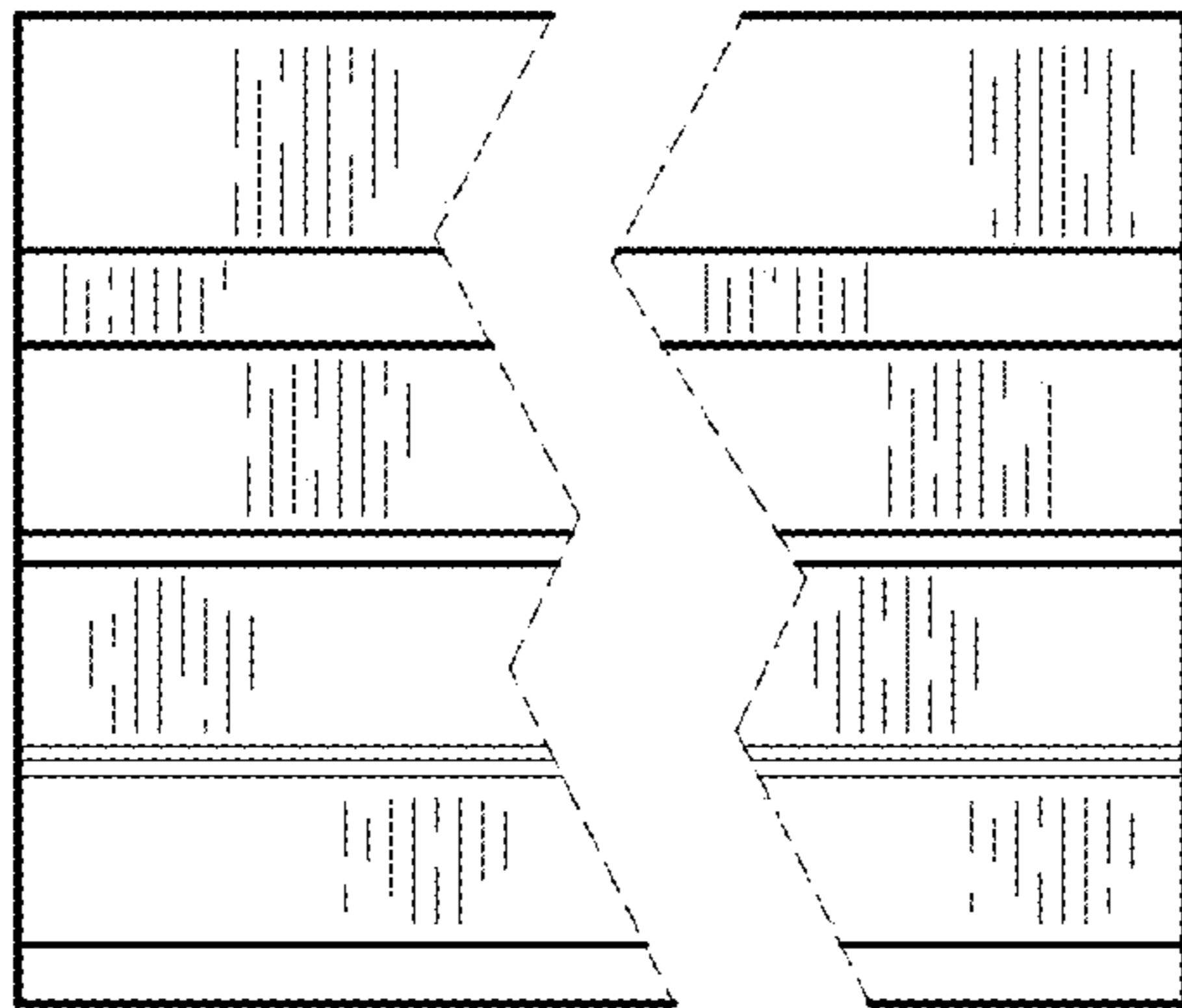


FIG - 14

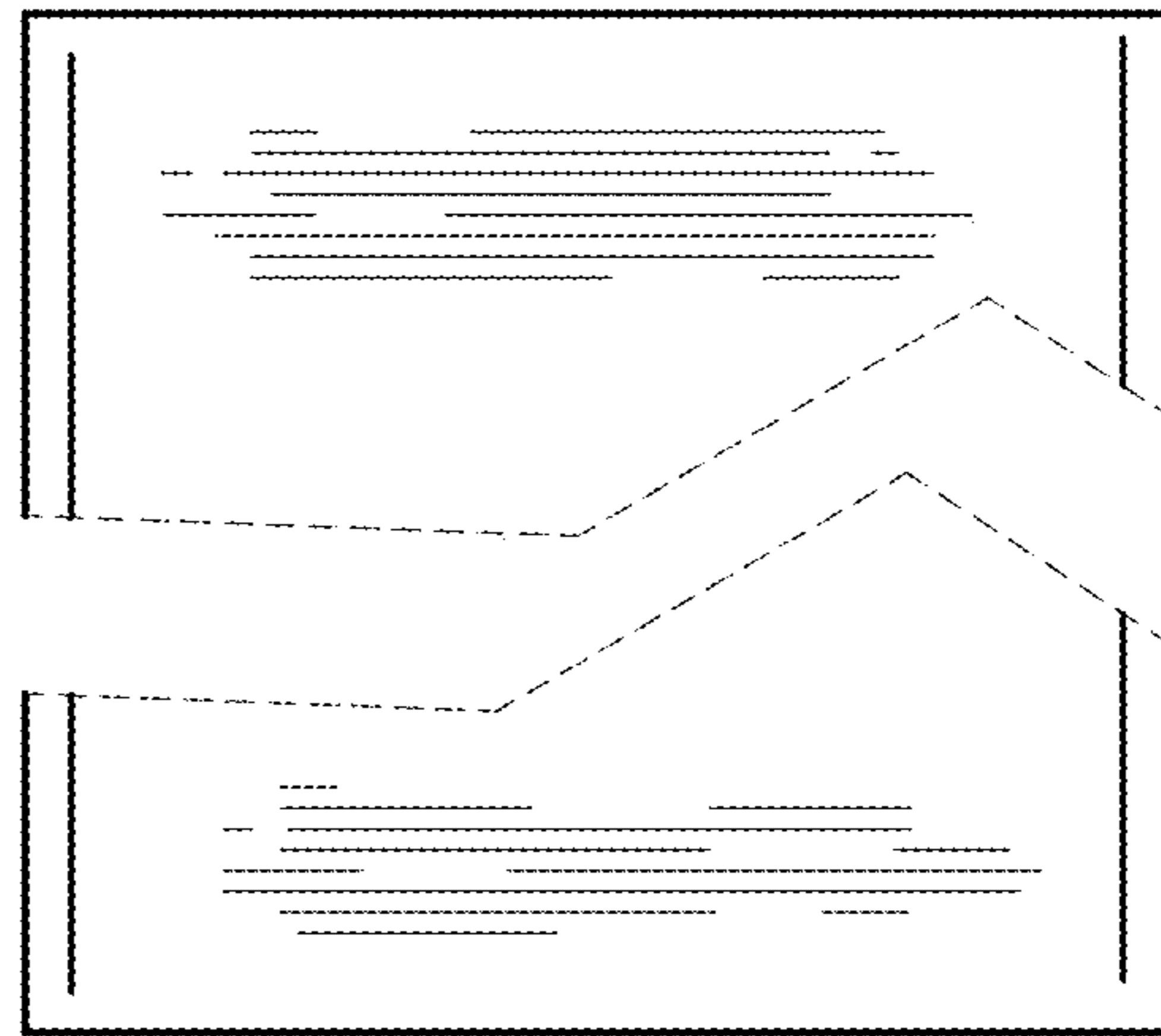


FIG - 15

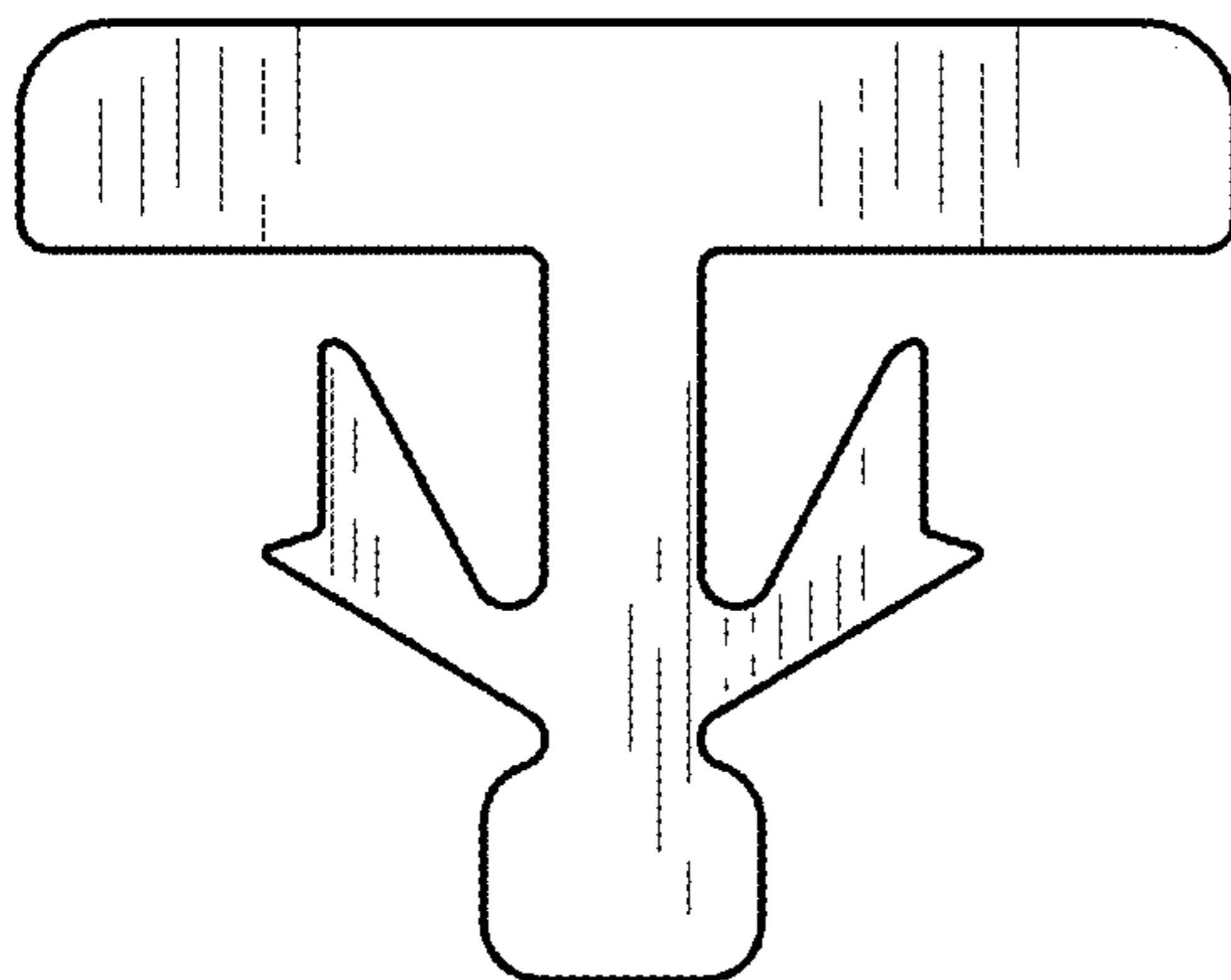


FIG - 16