



US00D989347S

(12) **United States Design Patent**  
**Salojärvi et al.**

(10) **Patent No.:** **US D989,347 S**  
(45) **Date of Patent:** **\*\* Jun. 13, 2023**

(54) **BARRIER**

(71) Applicant: **KONE Corporation**, Helsinki (FI)  
(72) Inventors: **Jouni Salojärvi**, Helsinki (FI); **Visa Rauta**, Helsinki (FI); **Aapo Saari**, Helsinki (FI); **Mika Hautamäki**, Helsinki (FI)  
(73) Assignee: **KONE CORPORATION**, Helsinki (FI)

(\*\*) Term: **15 Years**

(21) Appl. No.: **29/772,861**

(22) Filed: **Mar. 4, 2021**

(30) **Foreign Application Priority Data**

Sep. 15, 2020 (EM) ..... 008170278

(51) **LOC (14) Cl.** ..... **12-05**

(52) **U.S. Cl.**  
USPC ..... **D25/38.1; D34/30**

(58) **Field of Classification Search**  
USPC ..... **D25/38.1, 62, 63, 199; D34/30, 35**  
(Continued)

(56) **References Cited**

**U.S. PATENT DOCUMENTS**

D140,600 S \* 3/1945 Hohnecker ..... D25/63  
3,144,118 A \* 8/1964 Fabula ..... B66B 29/02  
198/332

(Continued)

**FOREIGN PATENT DOCUMENTS**

CN 306984248 \* 9/2020  
CN 307001517 \* 9/2020

(Continued)

**OTHER PUBLICATIONS**

Anti-Creeping Device—Schritt Elevators and Escalators [http://www.schritt.co/?attachment\\_id=797](http://www.schritt.co/?attachment_id=797) May 19, 2019 (Year: 2019).\*

(Continued)

*Primary Examiner* — Leanne Was-Englehart  
(74) *Attorney, Agent, or Firm* — Leason Ellis LLP

(57) **CLAIM**

The ornamental design for a barrier, as shown and described.

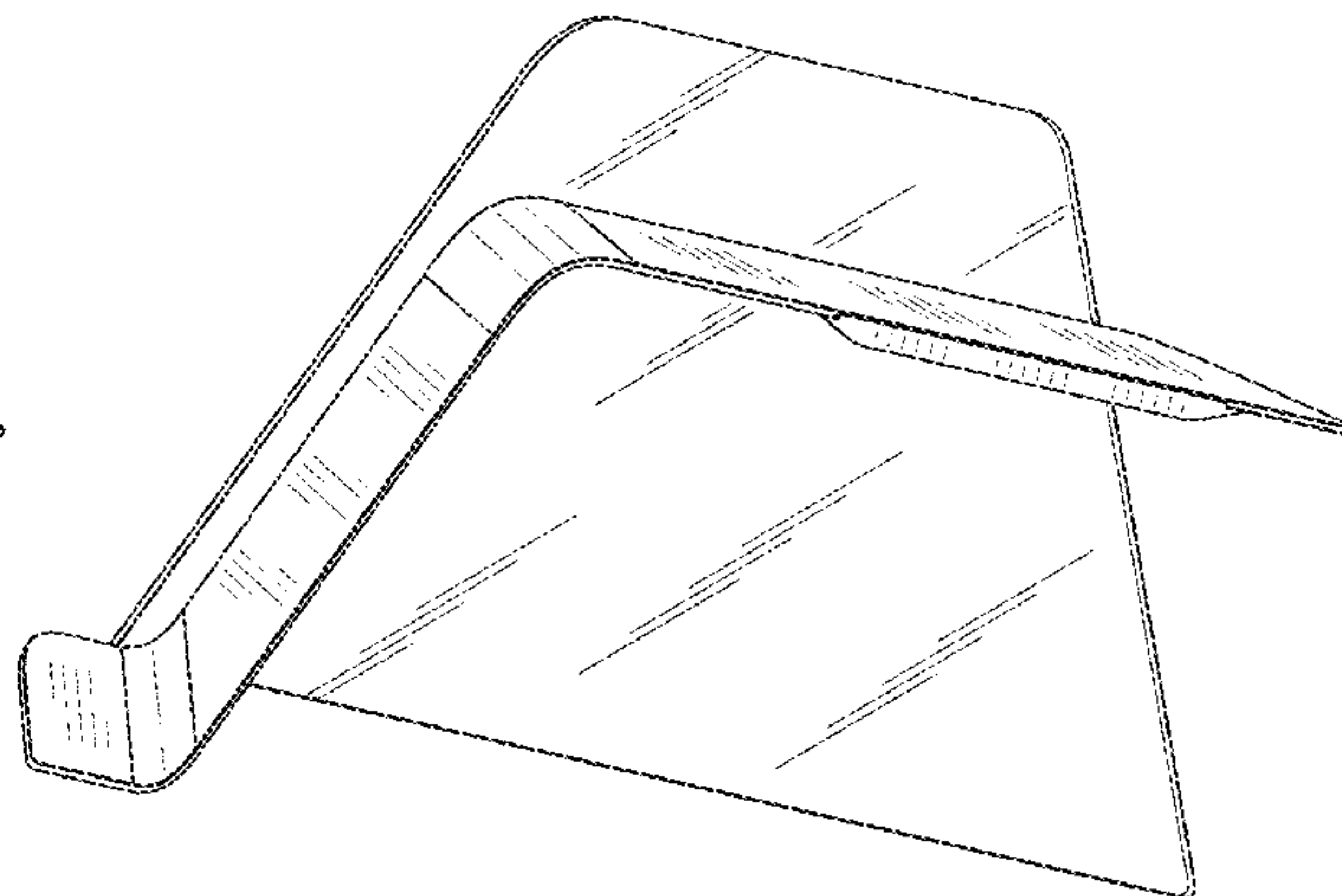
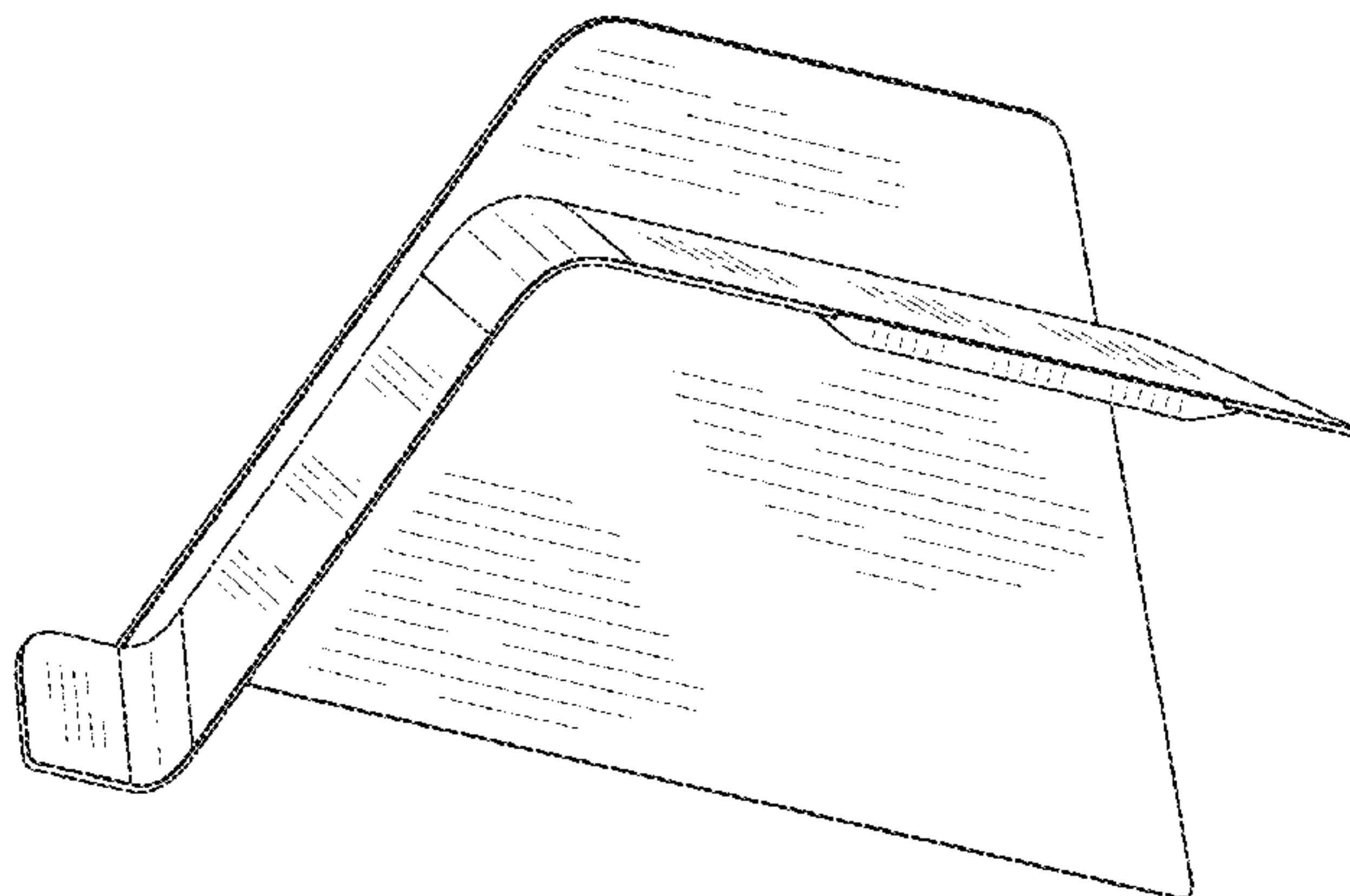
**DESCRIPTION**

FIG. 1 is a rear perspective view of our barrier according to the First Embodiment our new design; FIG. 2 is a top perspective view thereof; FIG. 3 is a bottom perspective view thereof; FIG. 4 is a front perspective view thereof; FIG. 5 is a front view thereof; FIG. 6 is a rear view thereof; FIG. 7 is a left-side view thereof; FIG. 8 is a right-side view thereof; FIG. 9 is a top plan view thereof; FIG. 10 is a bottom plan view thereof; FIG. 11 is a rear perspective view of our barrier according to the Second Embodiment our new design; FIG. 12 is a top perspective view thereof; FIG. 13 is a bottom perspective view thereof; FIG. 14 is a front perspective view thereof; FIG. 15 is a front view thereof; FIG. 16 is a rear view thereof; FIG. 17 is a left-side view thereof; FIG. 18 is a right-side view thereof; FIG. 19 is a top plan view thereof; and, FIG. 20 is a bottom plan view thereof.

The illustrated design concerns a barrier, such as may be used on an escalator to prevent climbing. Conventional shading is illustrated for purposes of highlighting the line drawings, but forms no part of the claimed design.

The broken lines showing of portions of the barrier are included for the purpose of illustrating environmental structure and form no part of the claimed design.

**1 Claim, 20 Drawing Sheets**



(58) **Field of Classification Search**

CPC ..... B65G 45/18; B65G 45/22; B65G 45/26;  
B66B 23/00; B66B 23/02; B66B 23/028;  
B66B 23/04; B66B 31/00; B66B 31/02;  
B66B 31/003

See application file for complete search history.

(56) **References Cited**

U.S. PATENT DOCUMENTS

D201,748 S \* 7/1965 Grady ..... D25/63  
5,349,792 A \* 9/1994 Bayes ..... E04D 13/1478  
52/412  
D420,189 S \* 2/2000 Kleewein ..... D34/30  
D452,335 S \* 12/2001 Brown ..... D25/199  
6,533,098 B1 \* 3/2003 Winkler ..... B66B 23/22  
198/321  
D776,298 S \* 1/2017 Melin ..... D25/38.1  
D918,521 S \* 5/2021 Wang ..... D34/30  
2018/0111800 A1 \* 4/2018 Salojarvi ..... B66B 29/04  
2022/0089413 A1 \* 3/2022 Salojärvi ..... B66B 23/00

FOREIGN PATENT DOCUMENTS

EM 003472174-0001 \* 2/2019  
JP D1575353 \* 5/2017

OTHER PUBLICATIONS

Safety checks for escalators ramps and autowalks—May 2020\_  
tcm46-91316 [https://www.kone.com.au/Images/Safety%20checks%20for%20escalators%20ramps%20and%20autowalks%20-%20May%202020\\_tcm46-91316.pdf](https://www.kone.com.au/Images/Safety%20checks%20for%20escalators%20ramps%20and%20autowalks%20-%20May%202020_tcm46-91316.pdf) (Year: 2020).\*

\* cited by examiner

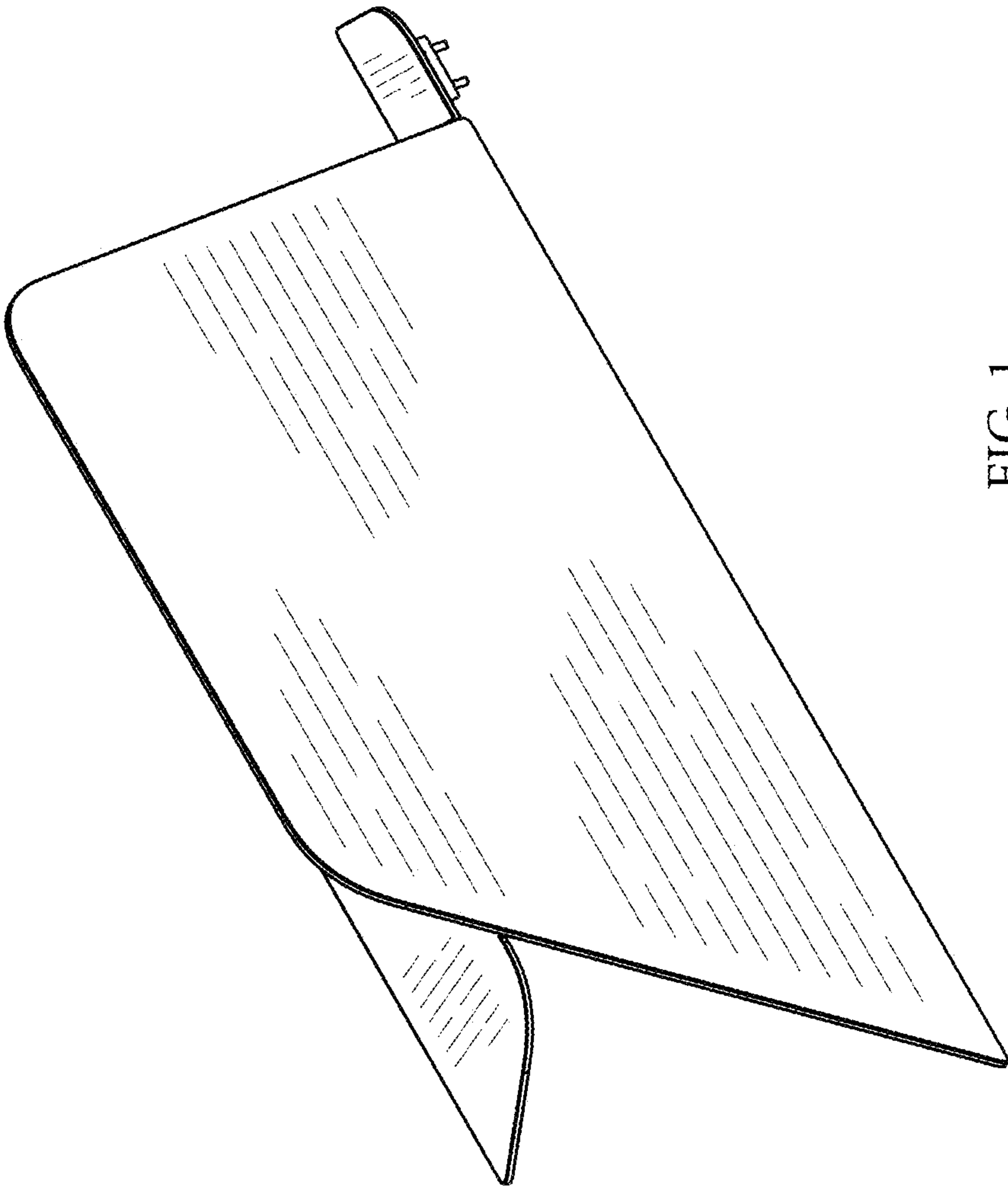


FIG. 1

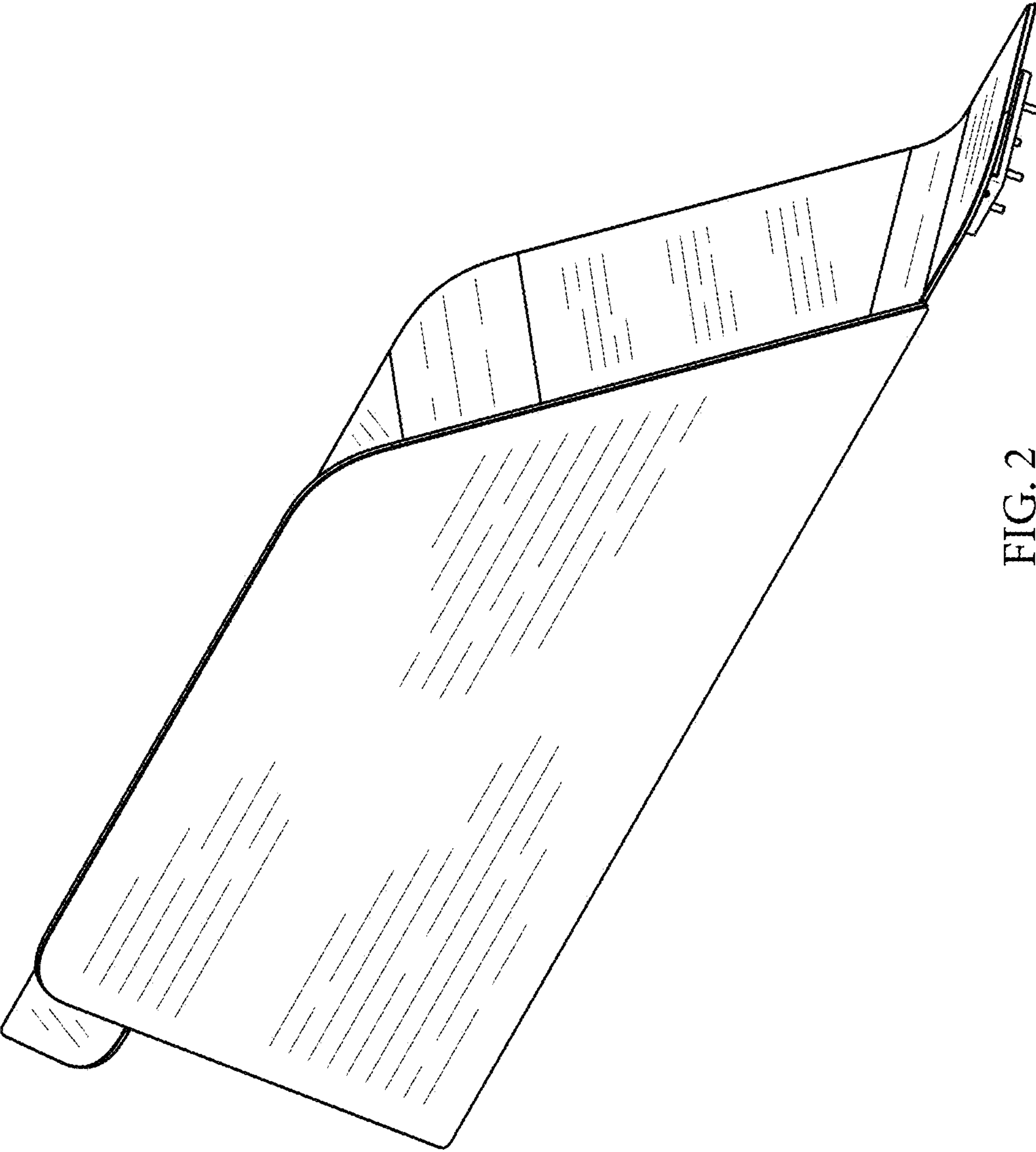


FIG. 2

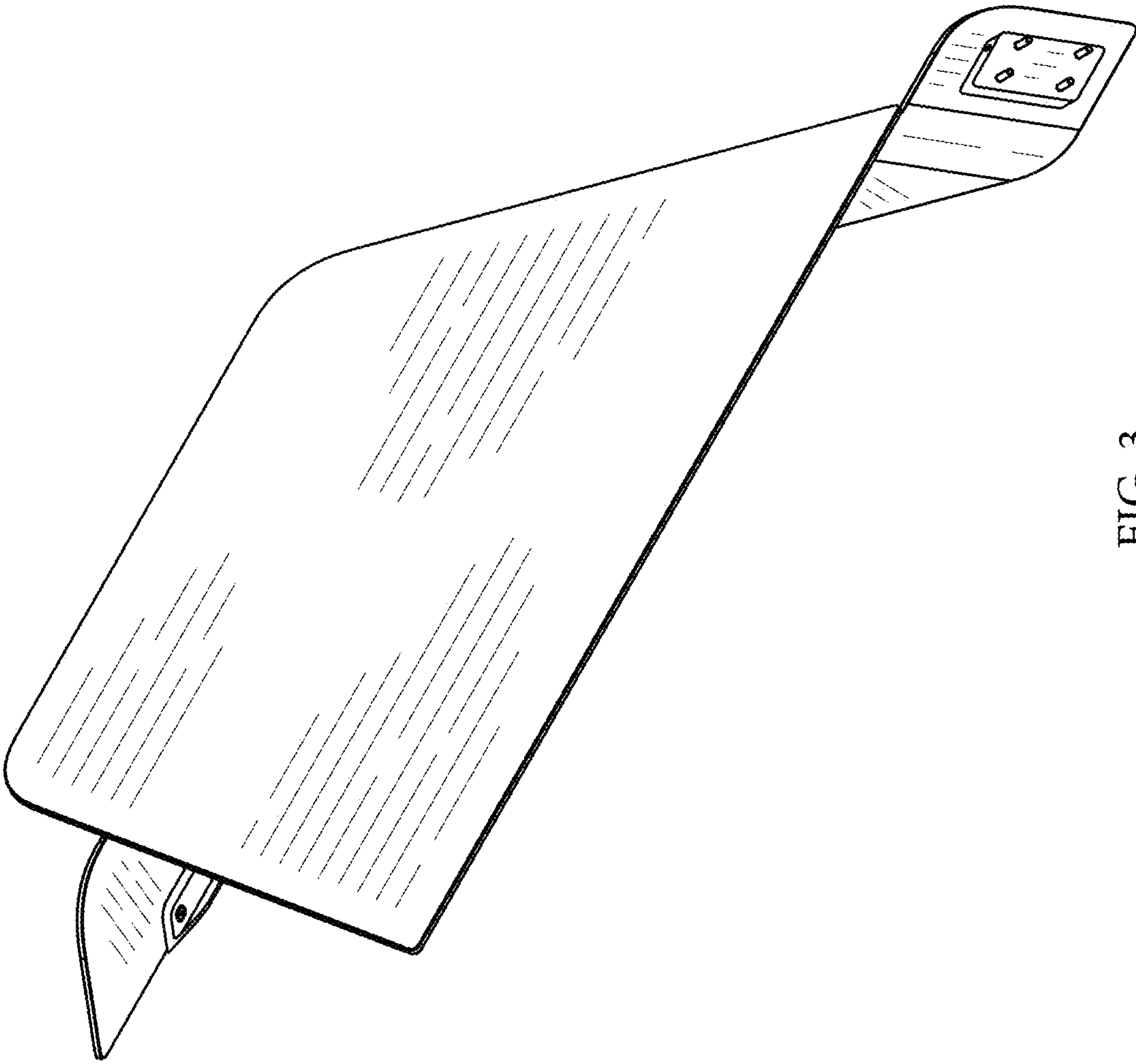


FIG. 3



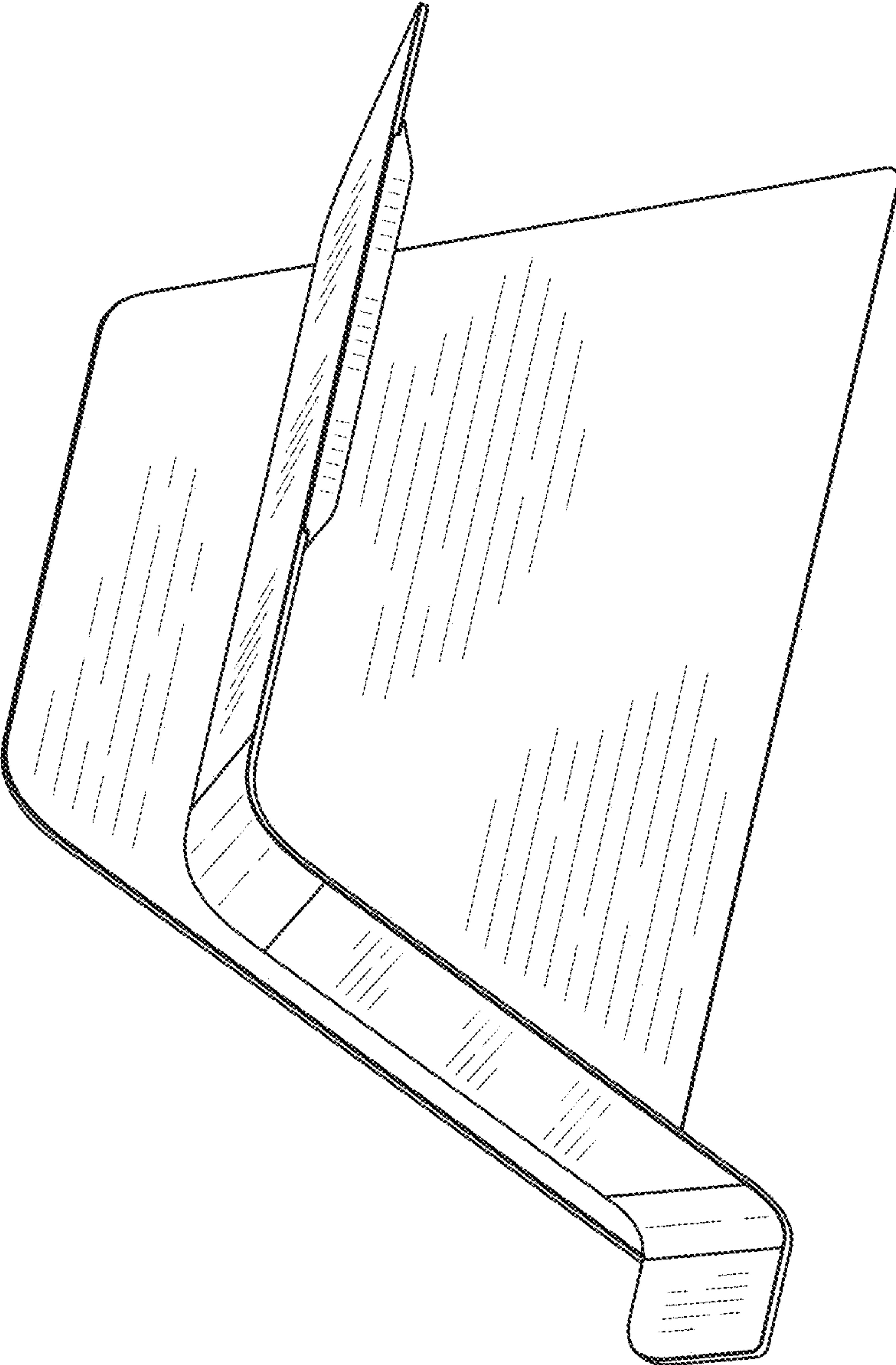


FIG. 4

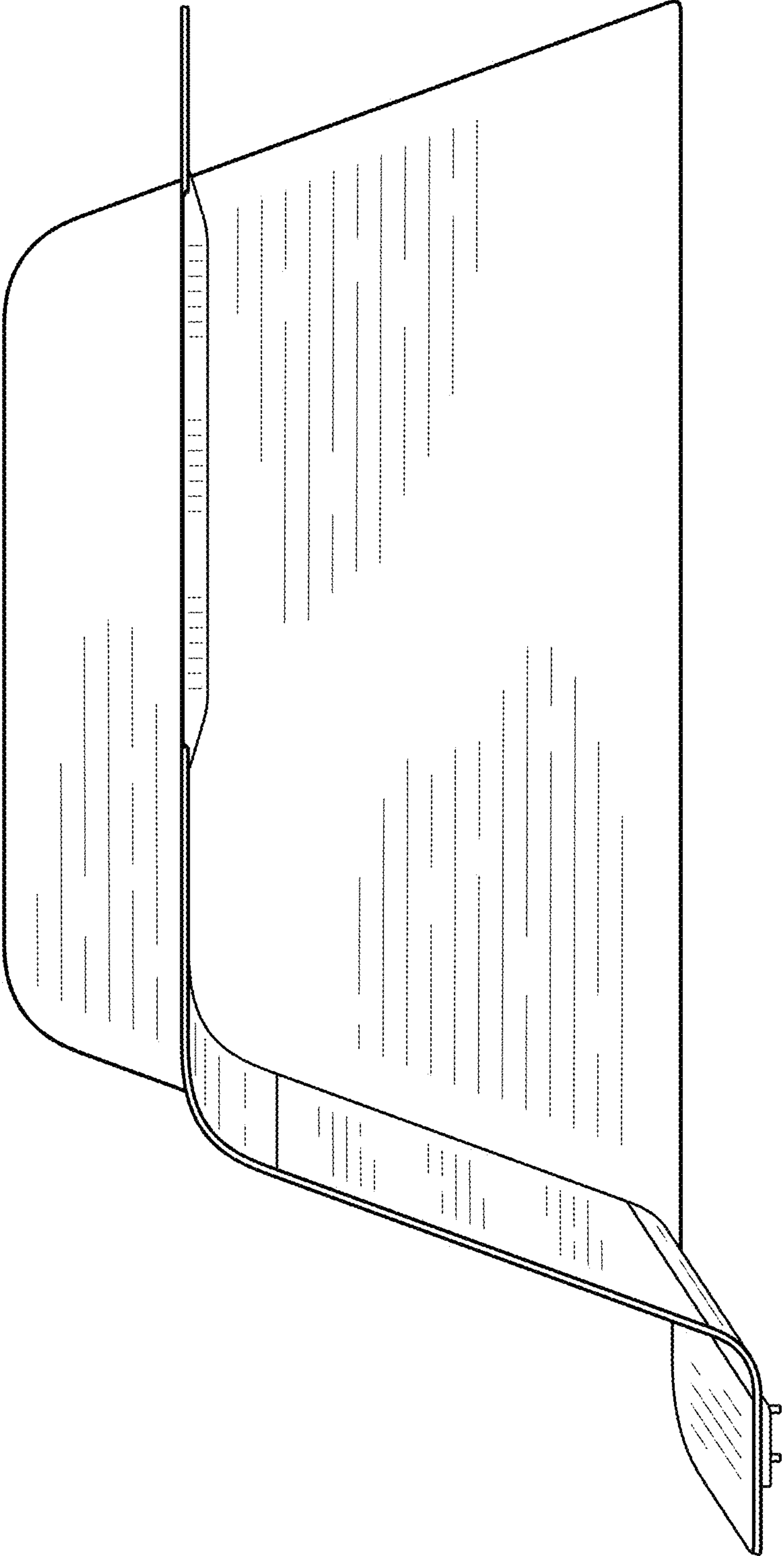


FIG. 5

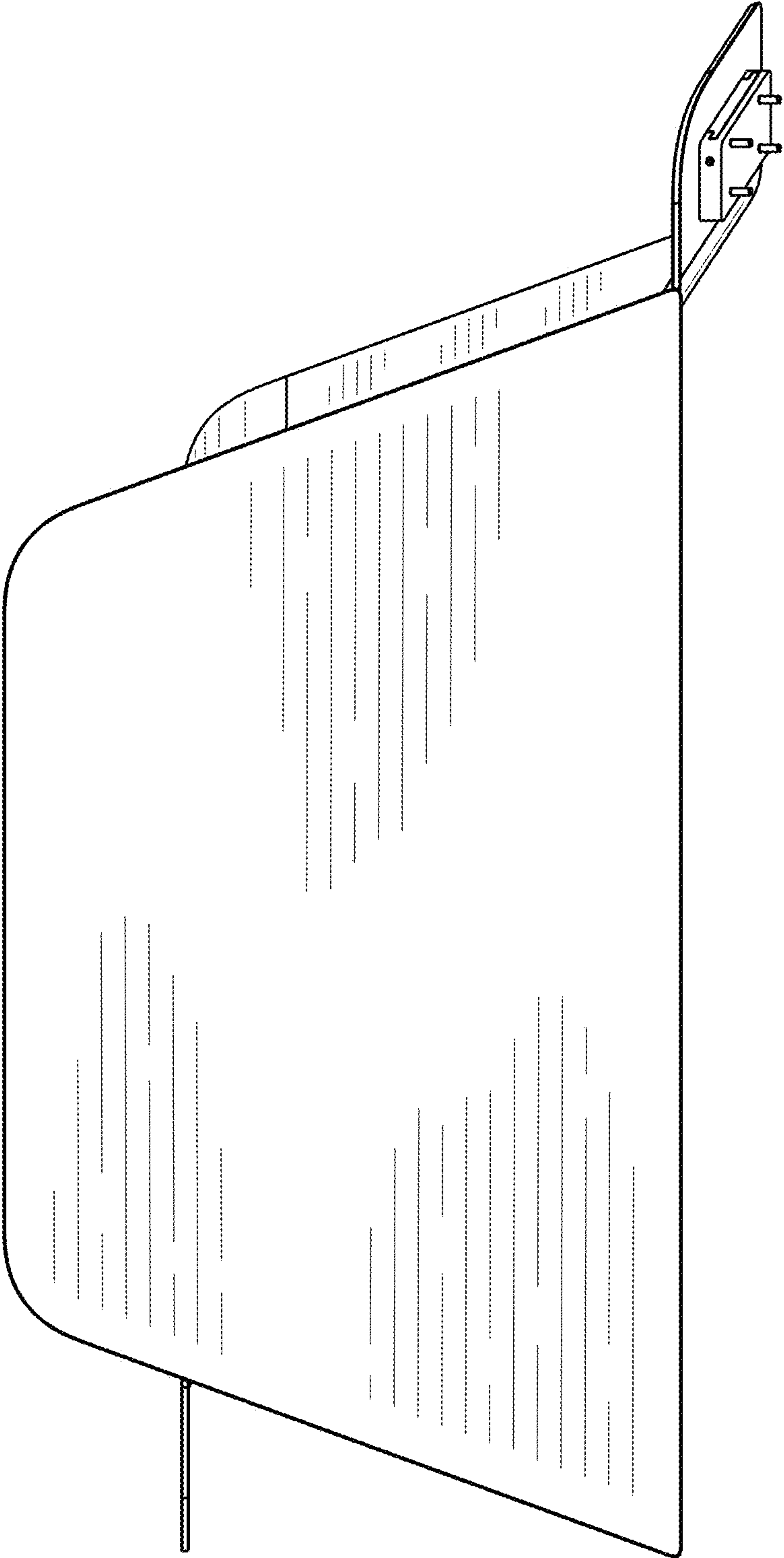


FIG. 6



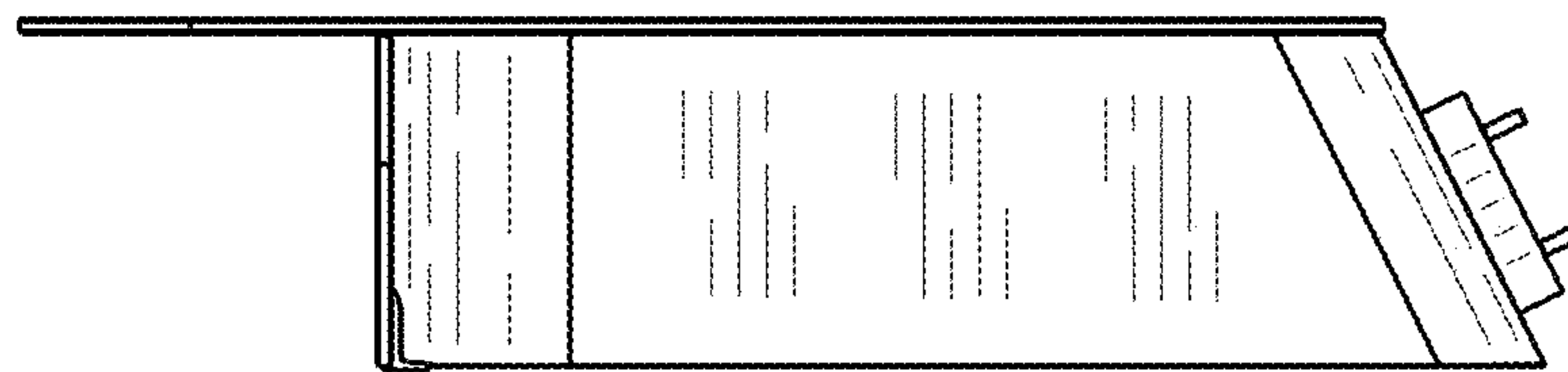


FIG. 7

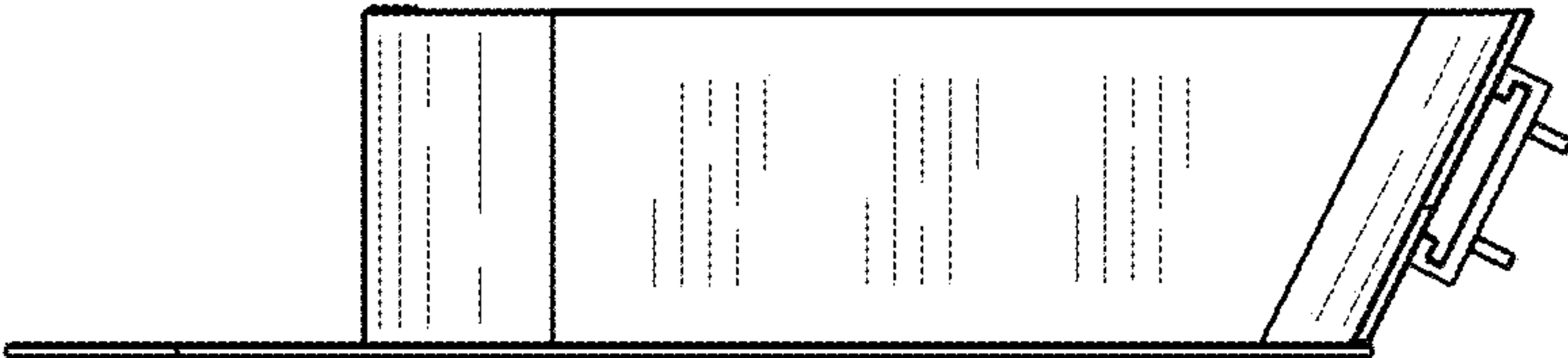


FIG. 8

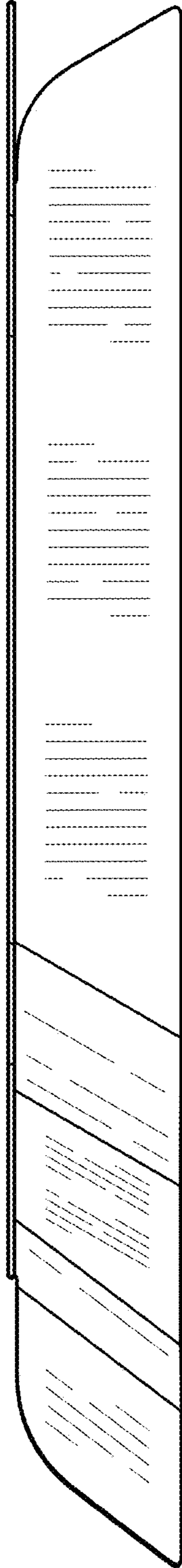


FIG. 9

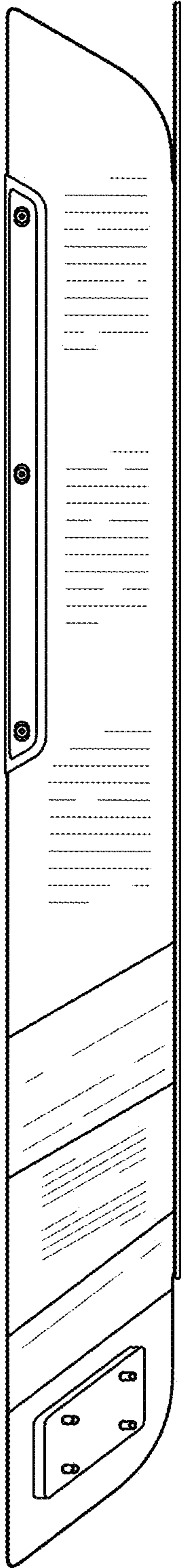


FIG. 10

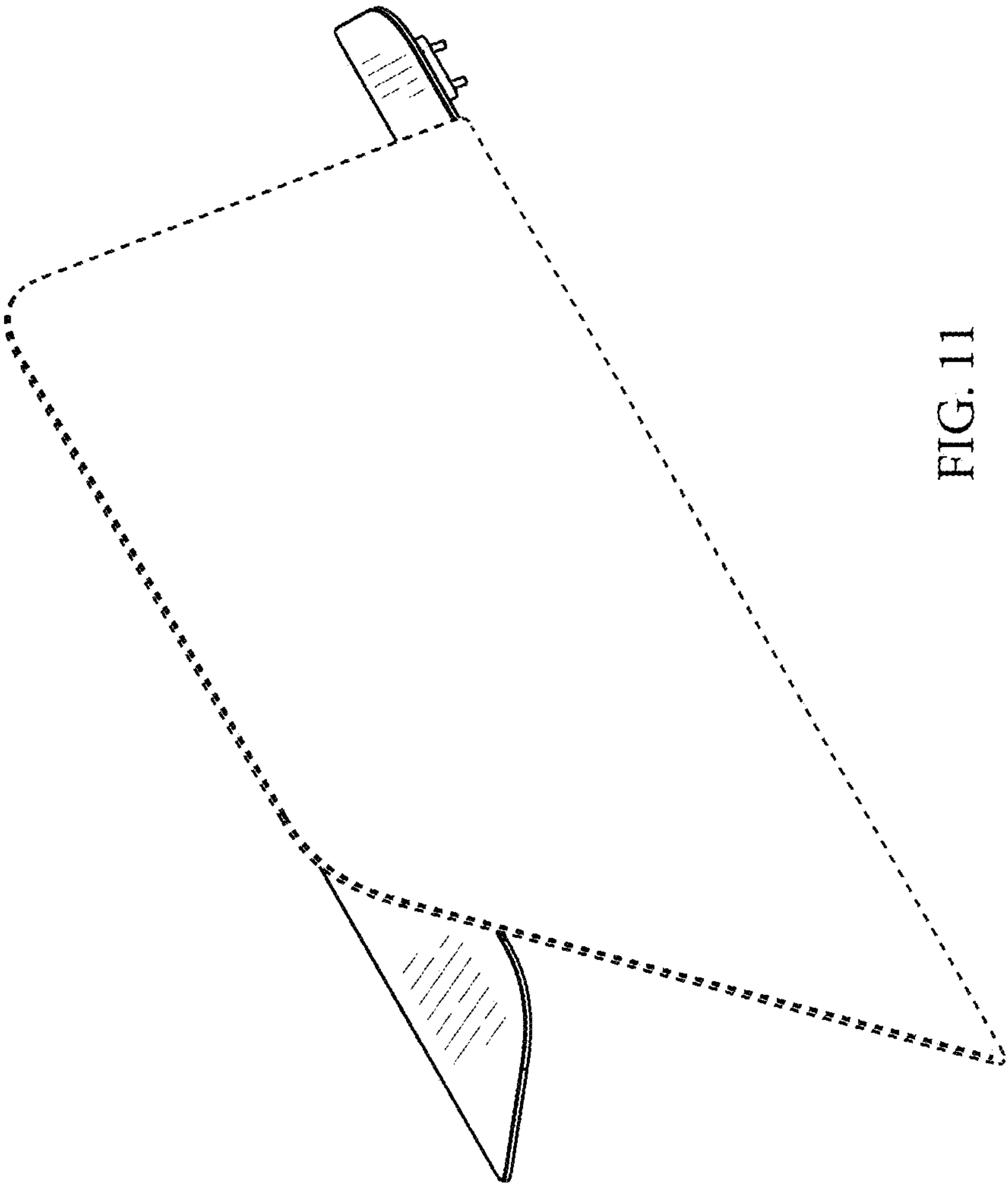


FIG. 11



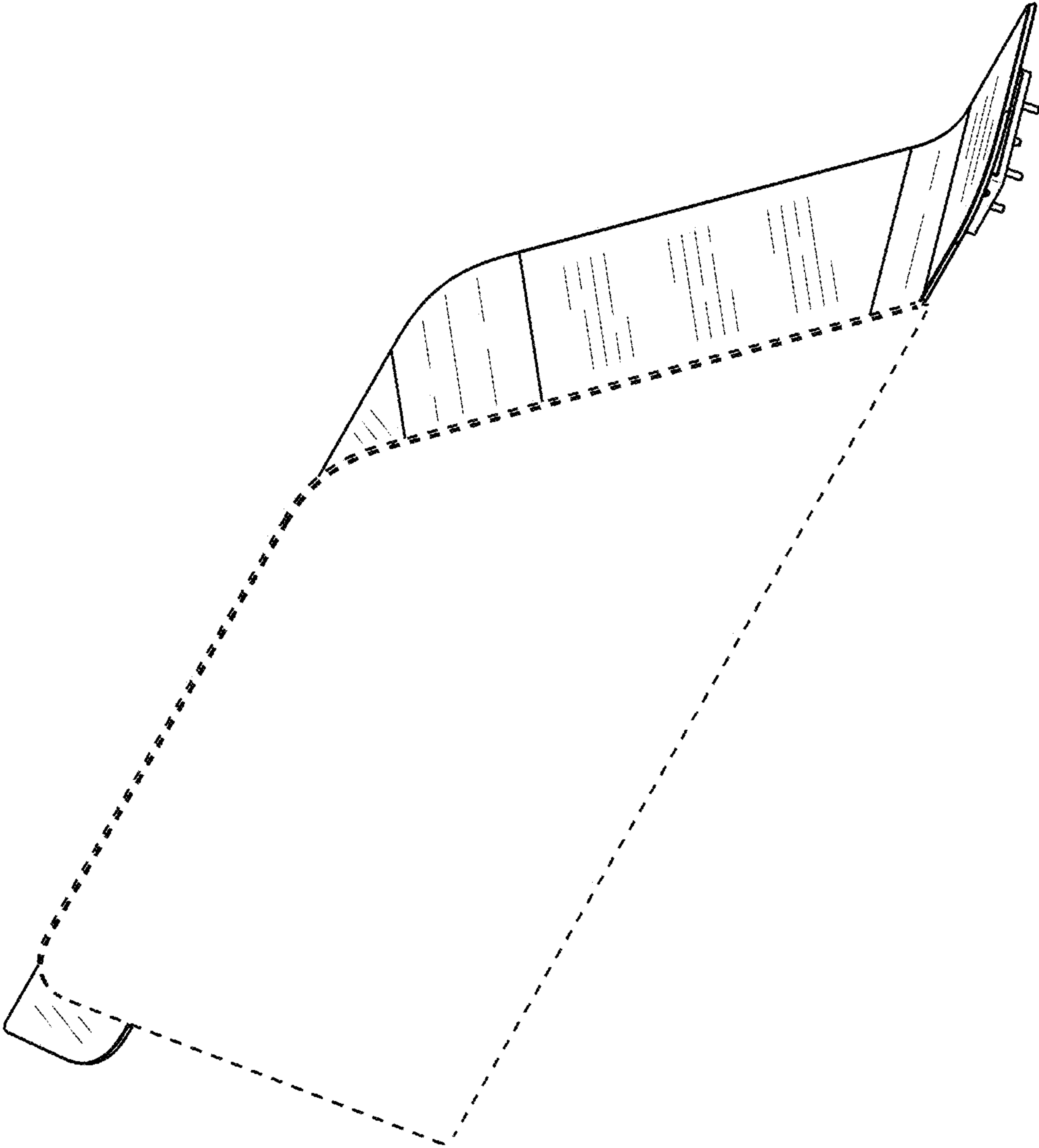


FIG. 12

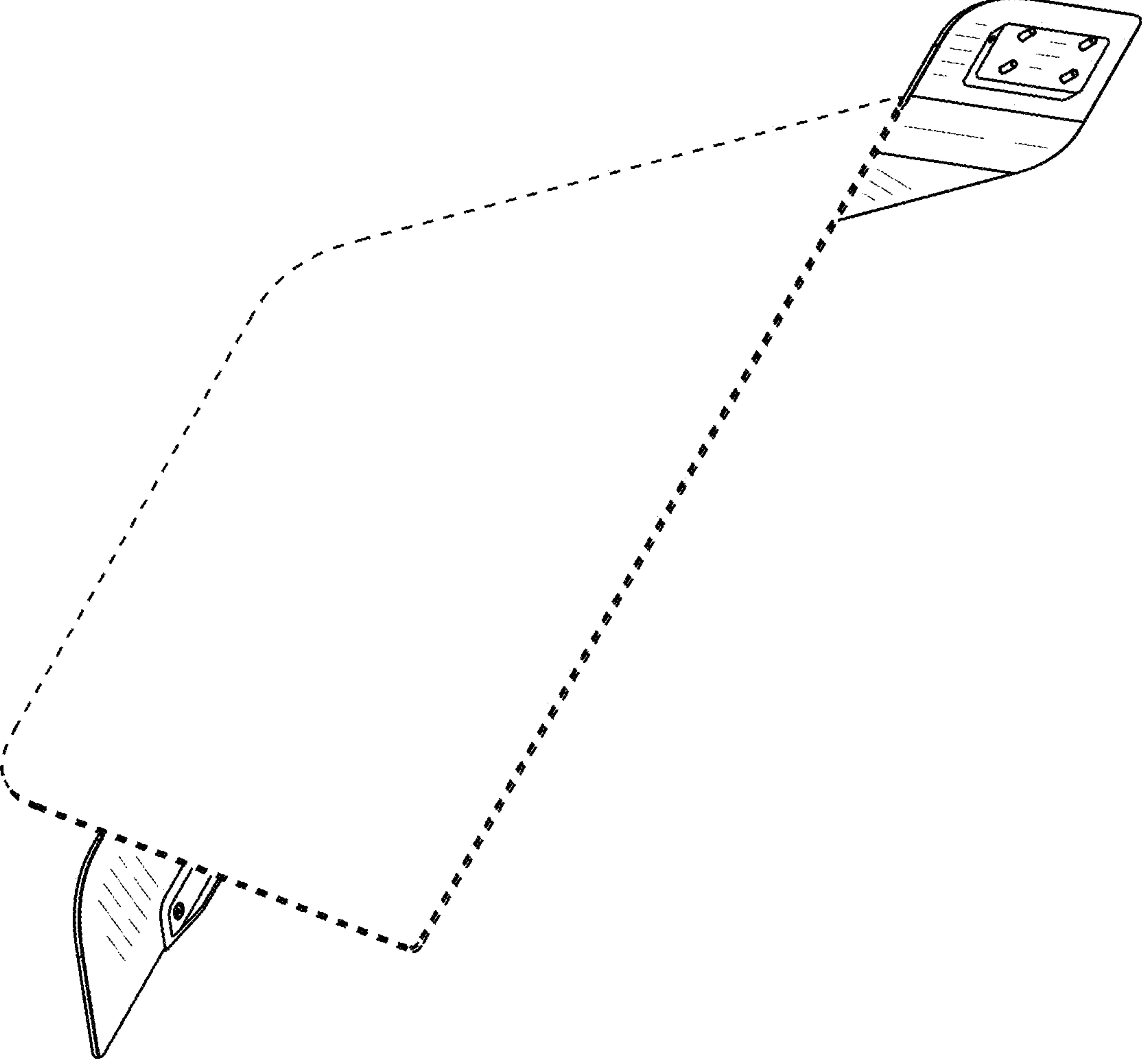


FIG. 13

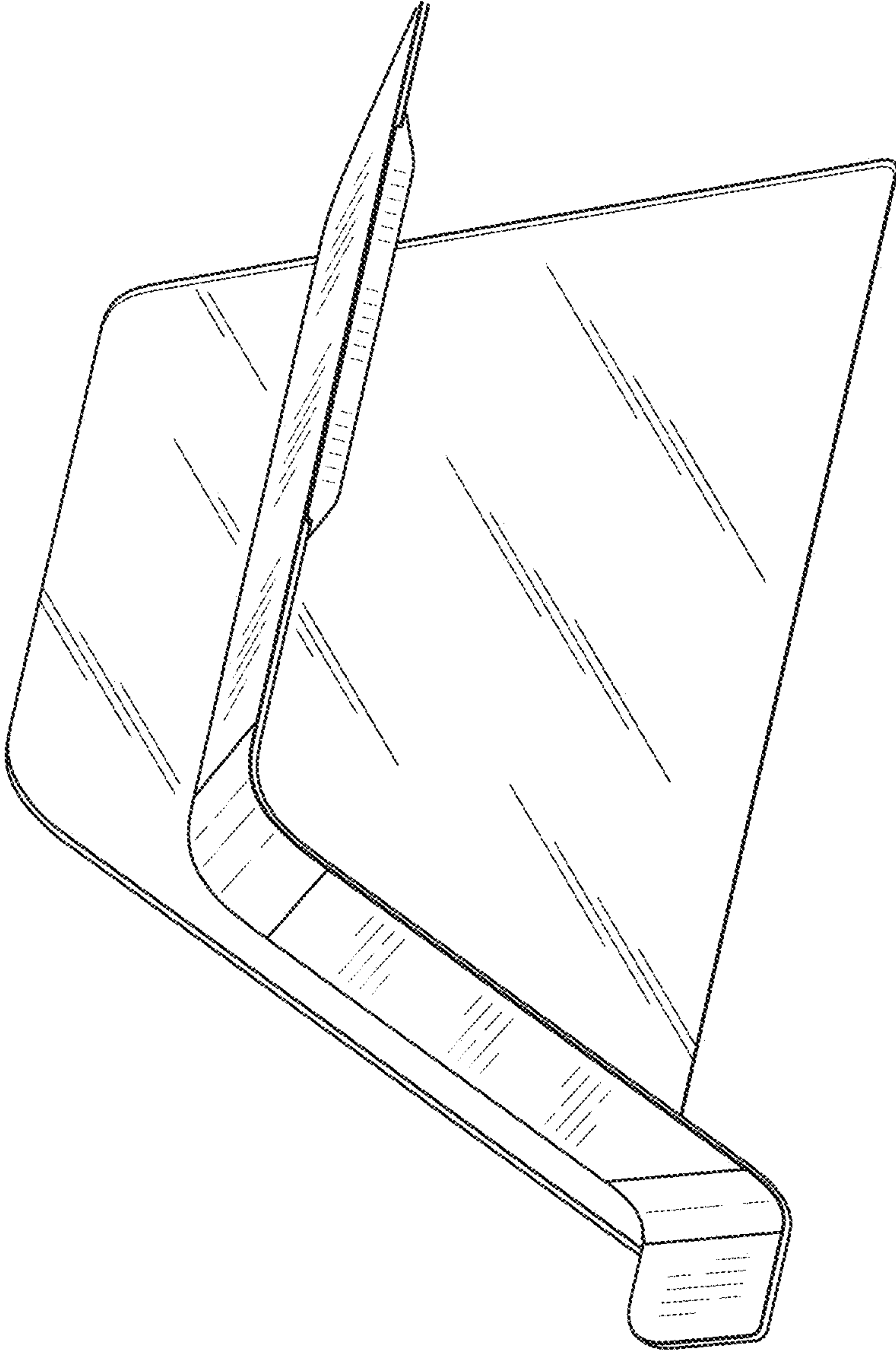


Fig. 14

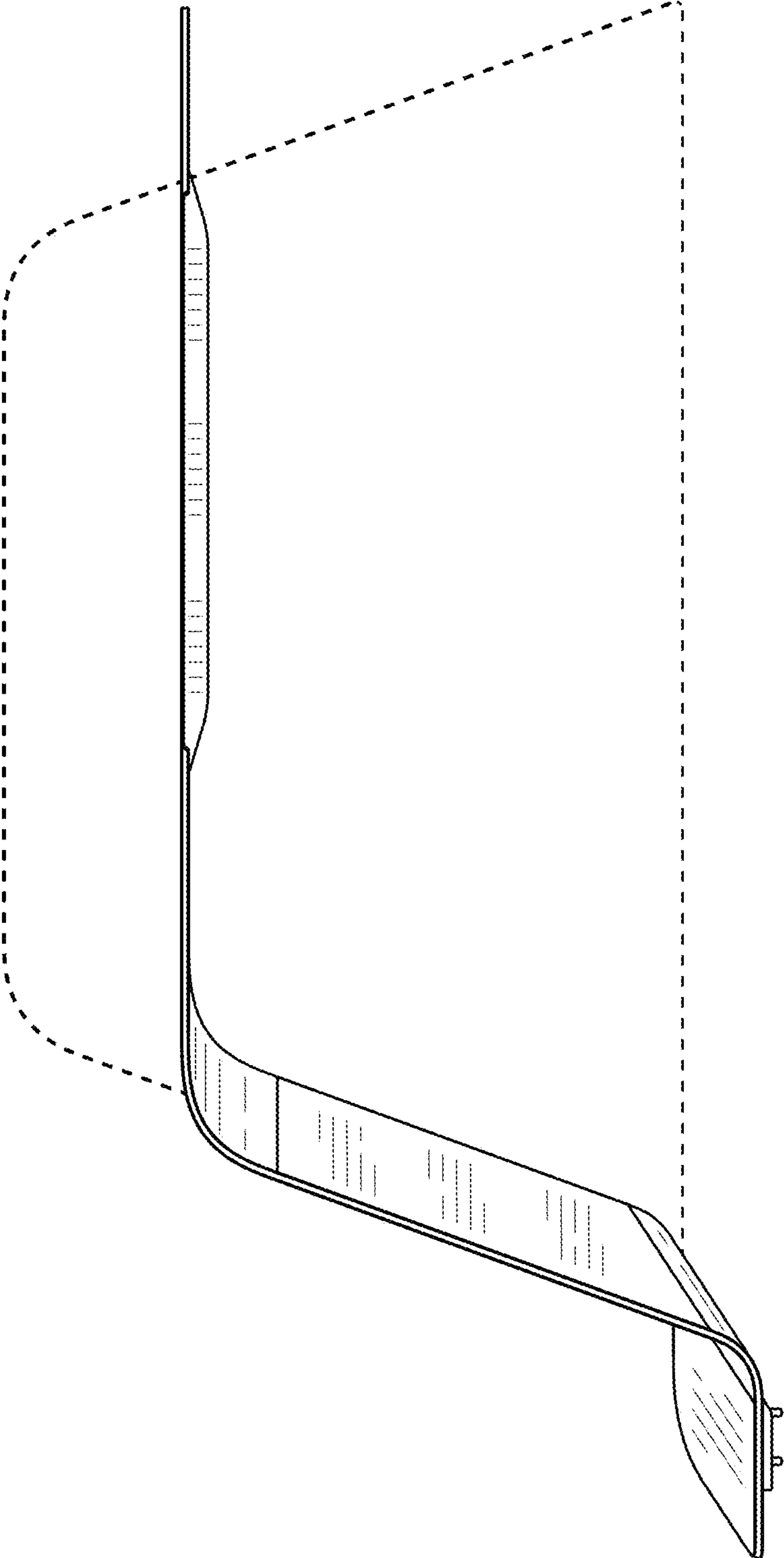


FIG. 15

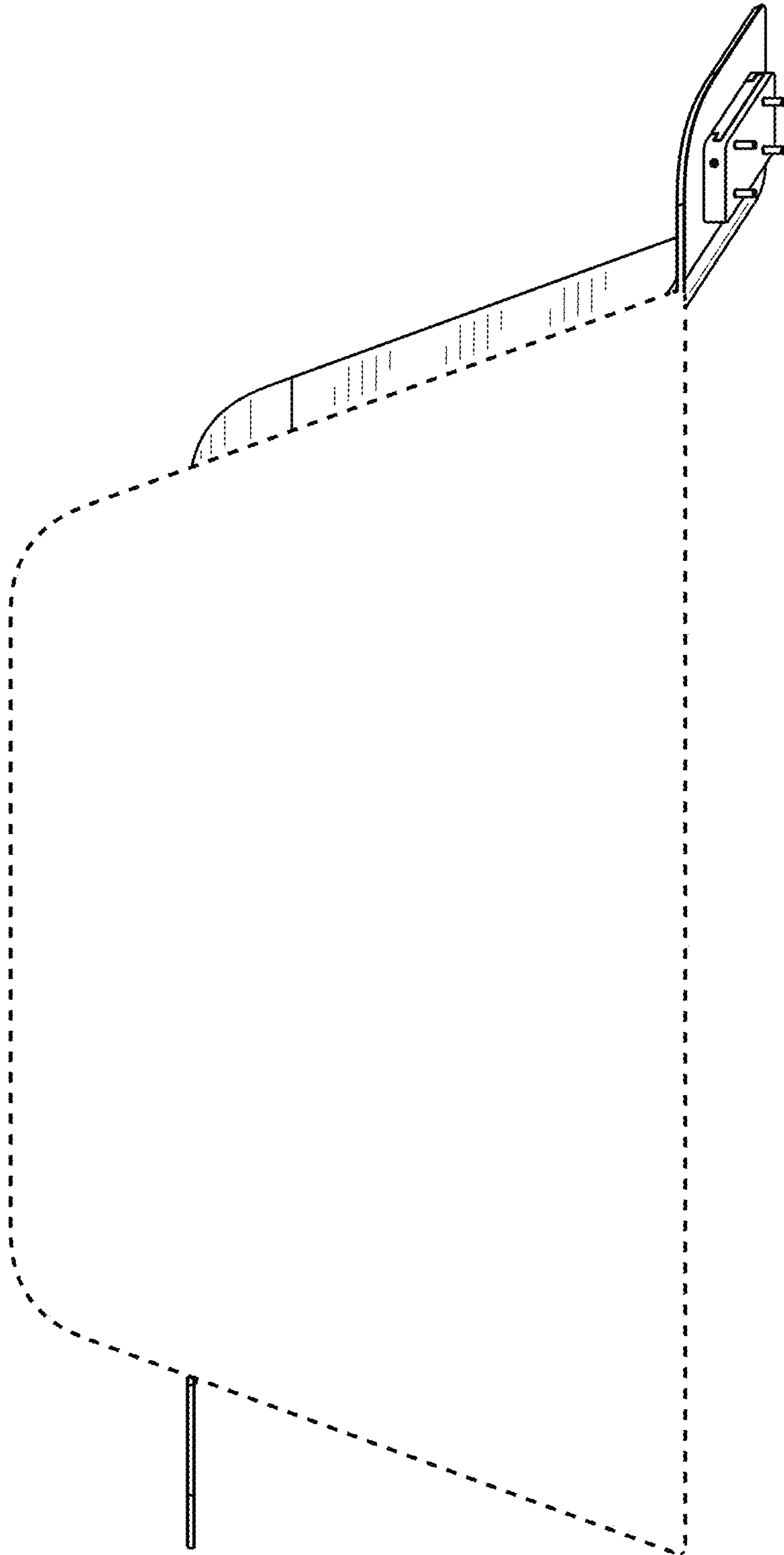


FIG. 16



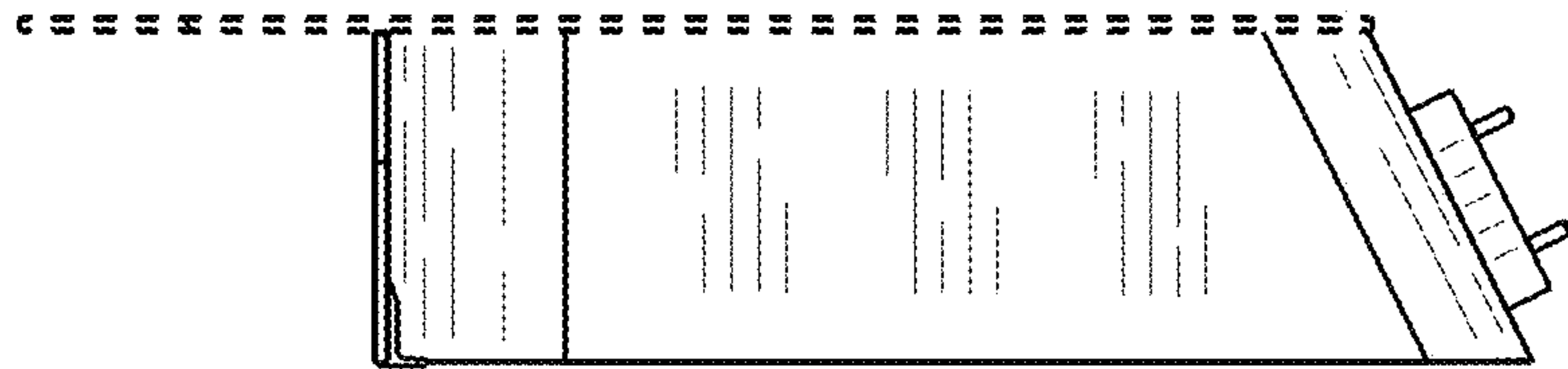


FIG. 17

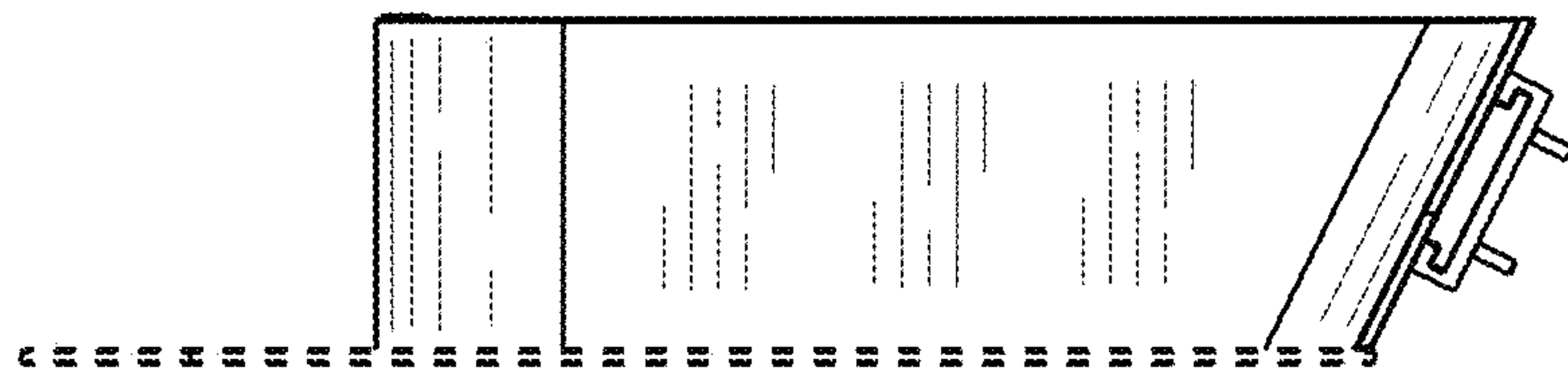


FIG. 18

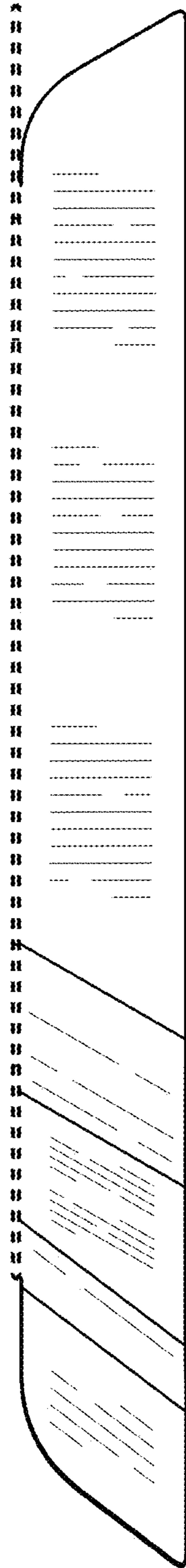


FIG. 19

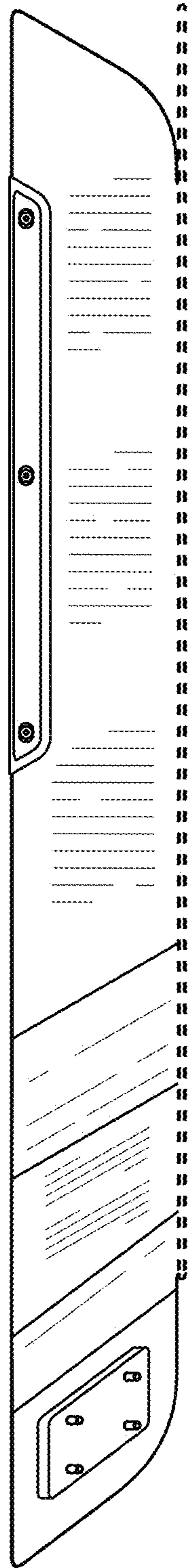


FIG. 20

UNITED STATES PATENT AND TRADEMARK OFFICE  
**CERTIFICATE OF CORRECTION**

PATENT NO. : D989,347 S  
APPLICATION NO. : 29/772861  
DATED : June 13, 2023  
INVENTOR(S) : Jouni Salojärvi et al.

Page 1 of 10

It is certified that error appears in the above-identified patent and that said Letters Patent is hereby corrected as shown below:

In the Drawings

FIGS. 11-30 and 15-20 should be replaced with the attached FIGS. 11-13 and 15-20.

Signed and Sealed this  
Fifth Day of March, 2024



Katherine Kelly Vidal  
*Director of the United States Patent and Trademark Office*



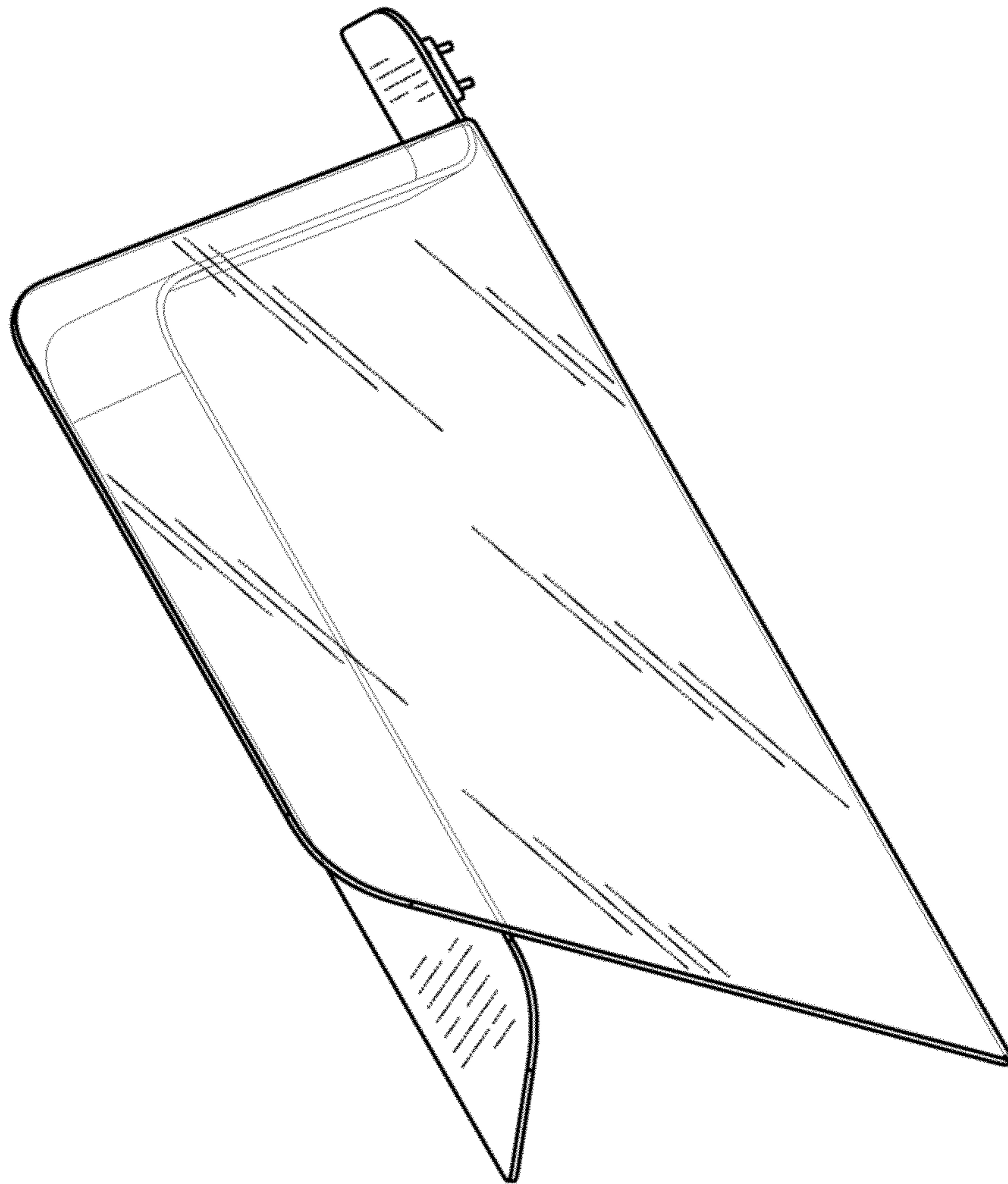


FIG. 11

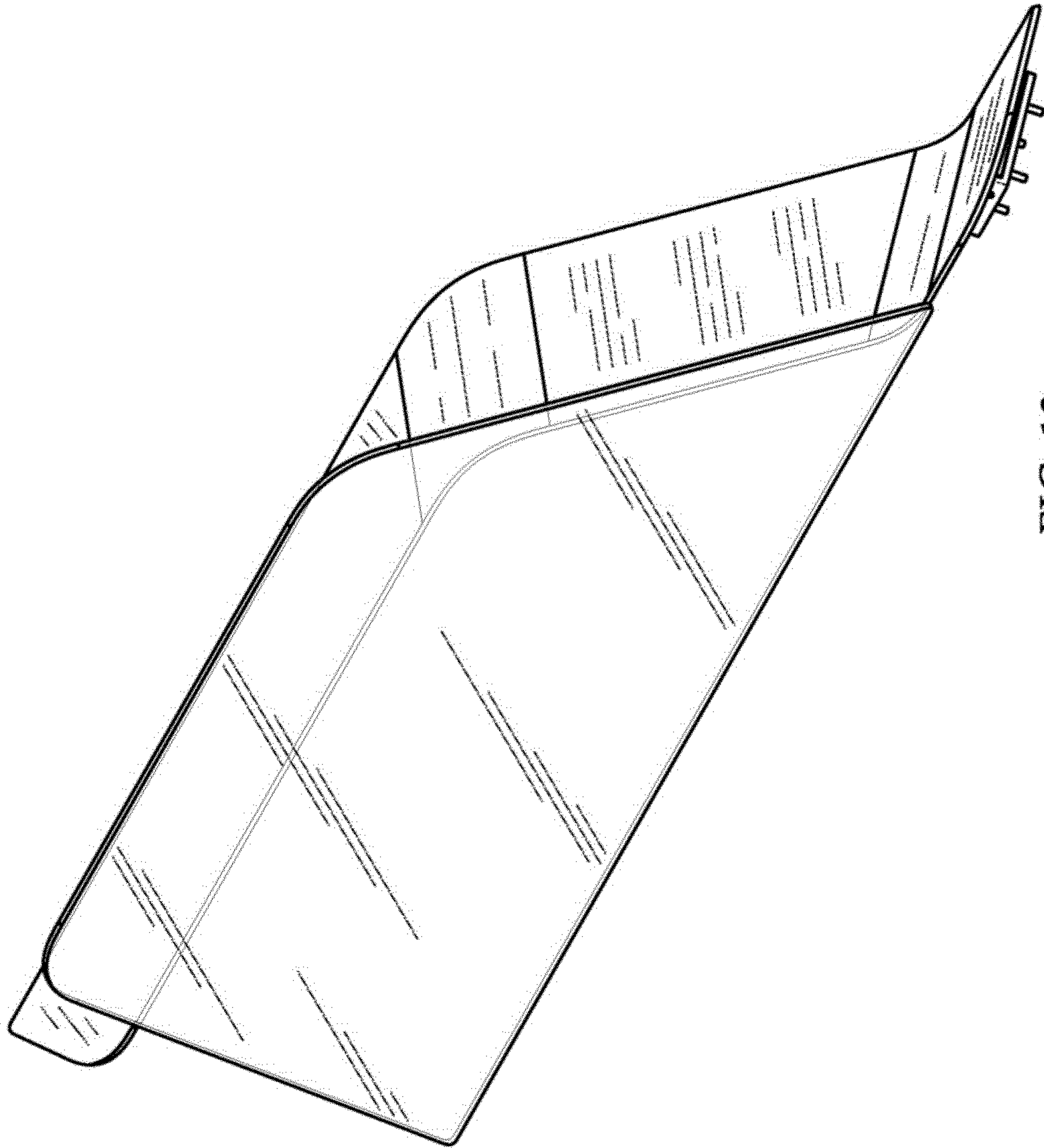


FIG. 12

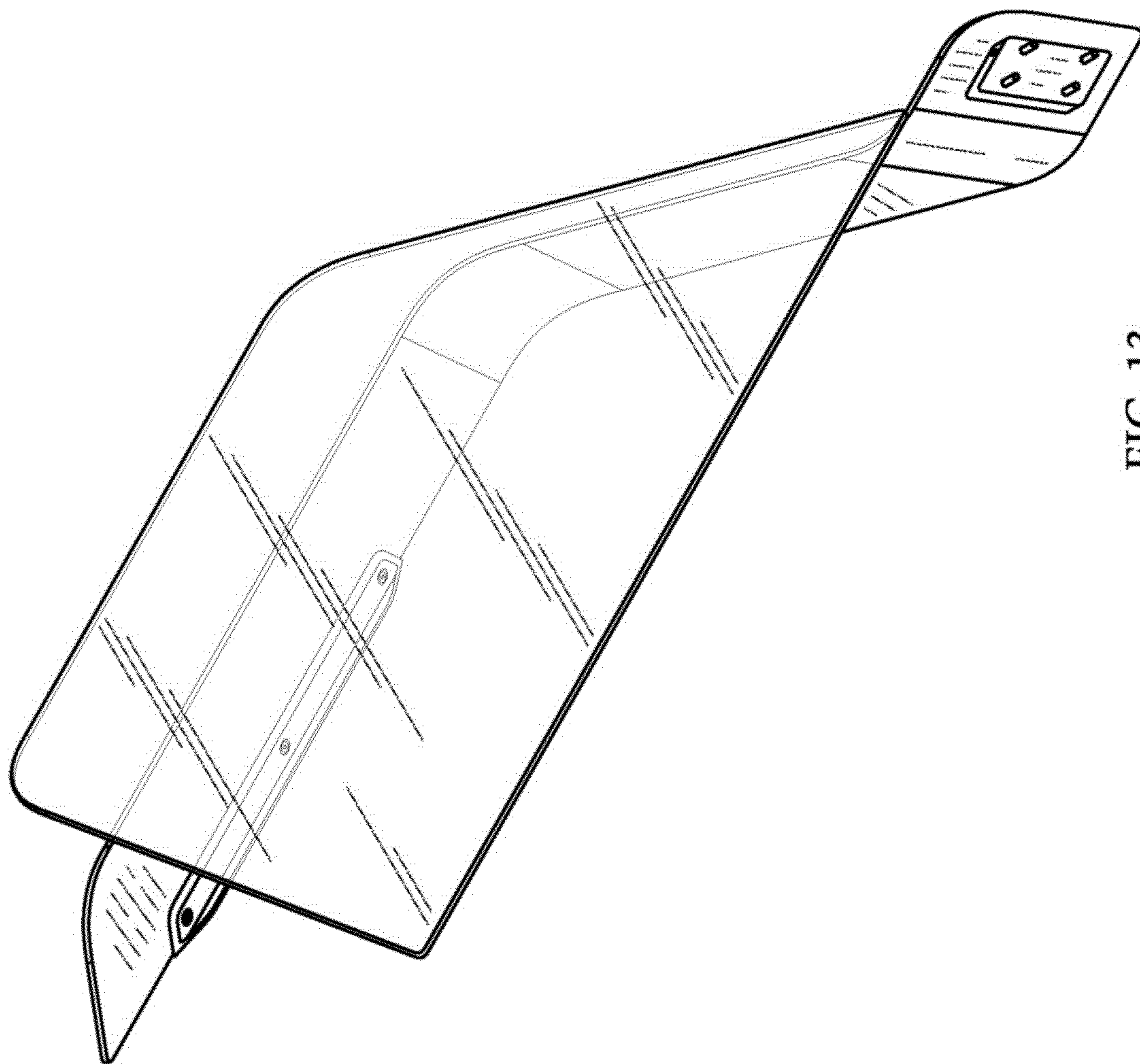


FIG. 13

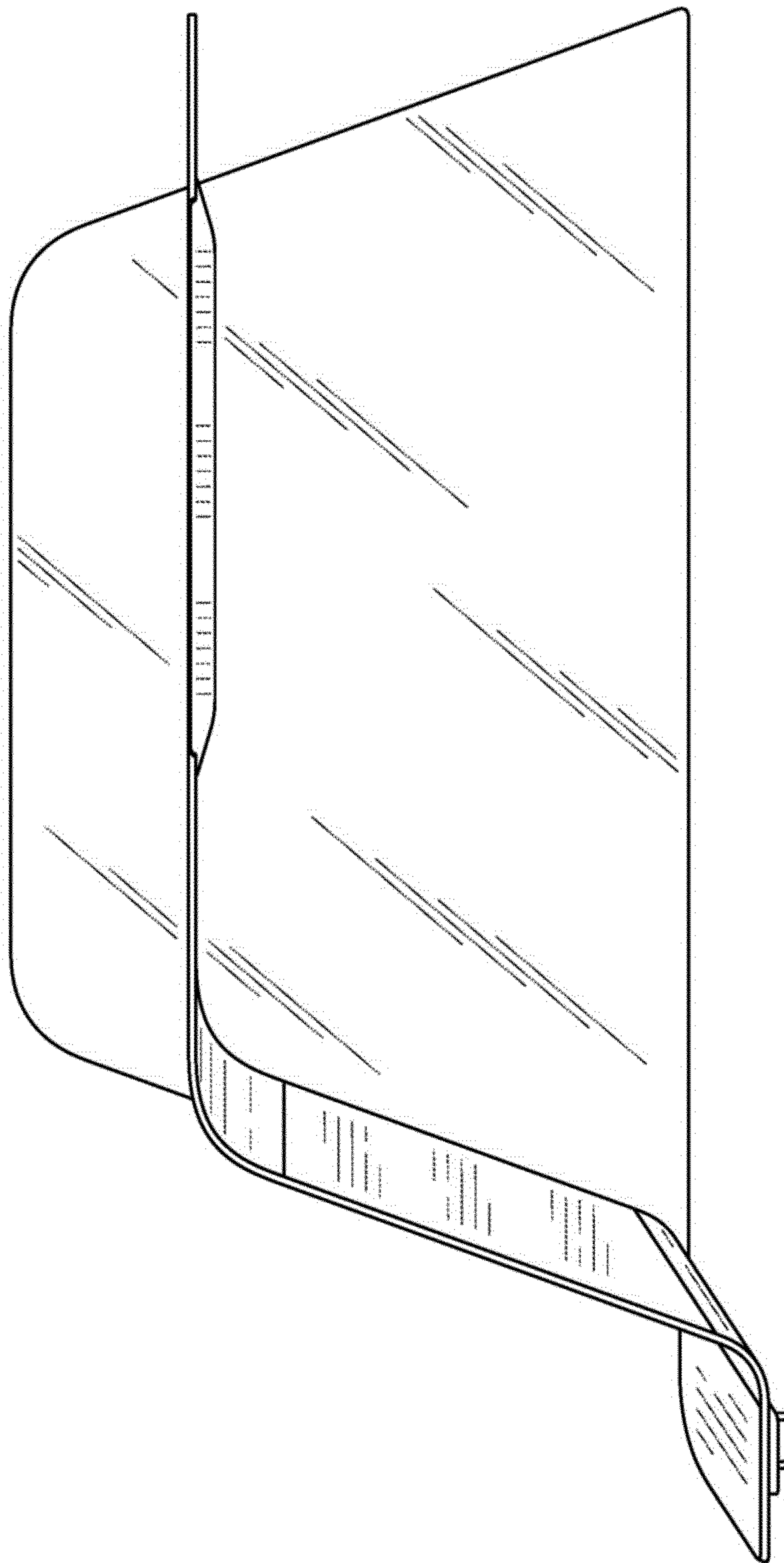


FIG. 15



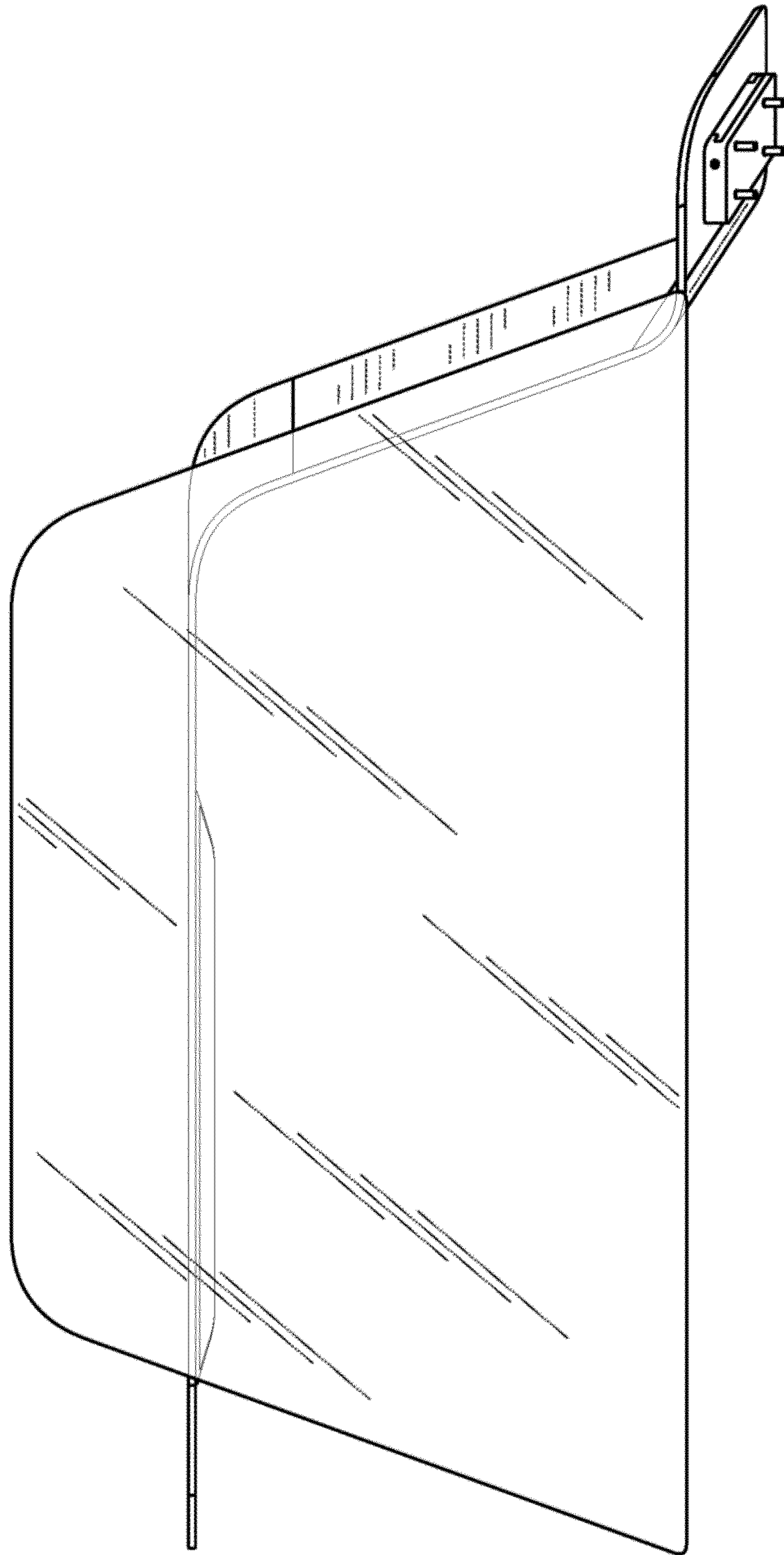


FIG. 16



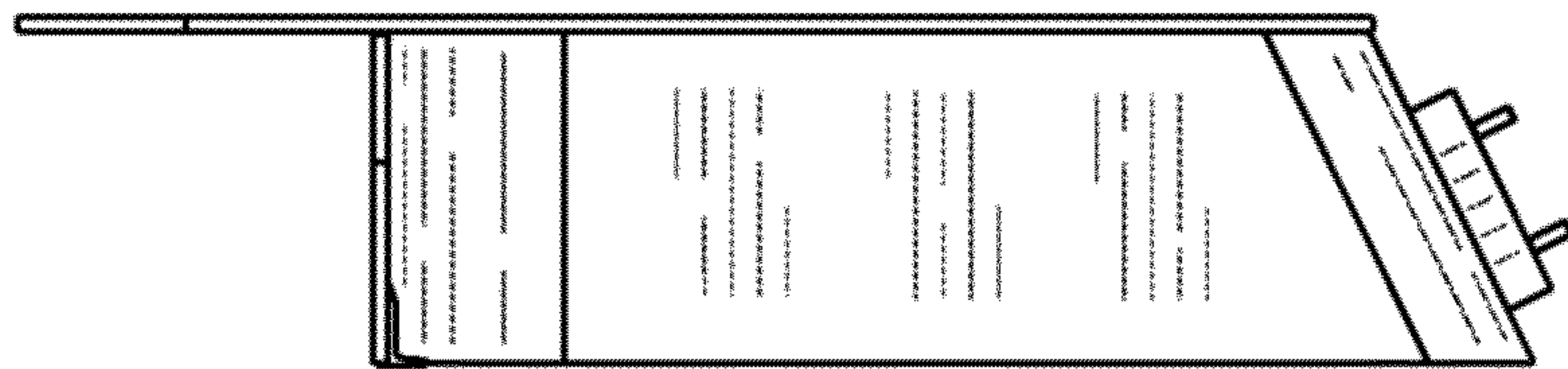


FIG. 17

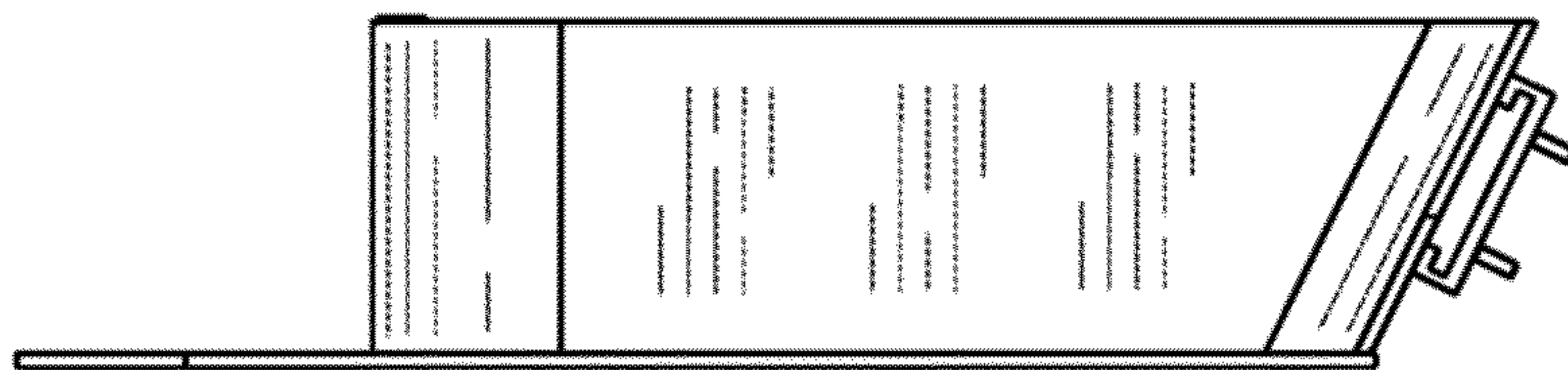


FIG. 18

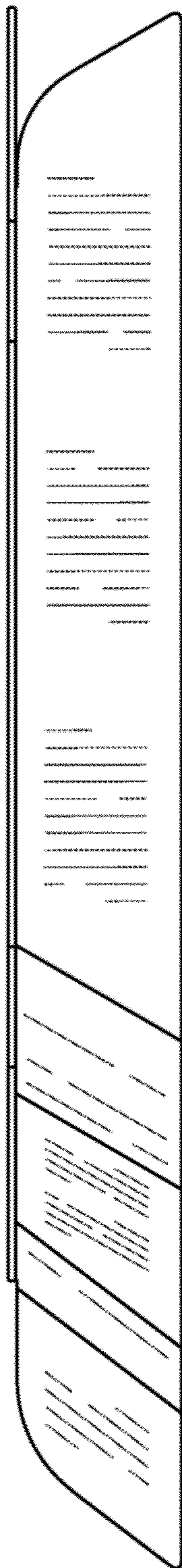


FIG. 19

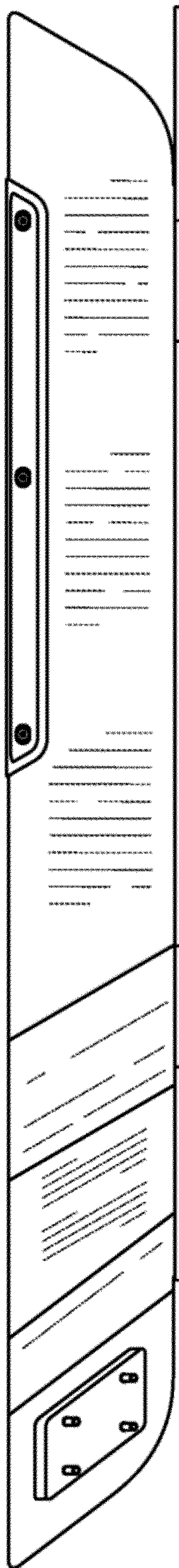


FIG. 20