



US00D989345S

(12) **United States Design Patent** (10) **Patent No.:** **US D989,345 S**
Allen (45) **Date of Patent:** **** Jun. 13, 2023**

(54) **WATER FITNESS EQUIPMENT**

D820,922 S 6/2018 Saragoni et al.
2018/0148945 A1* 5/2018 Roux E04H 4/0018
2022/0136267 A1* 5/2022 Cross E04H 4/0037
4/488

(71) Applicant: **Arthoaquatic Fitness System, Inc.**,
Detroit, MI (US)

(72) Inventor: **Chris Allen**, Detroit, MI (US)

(73) Assignee: **ARTHOAQUATIC FITNESS SYSTEMS, INC.**, Detroit, MI (US)

(**) Term: **15 Years**

(21) Appl. No.: **29/781,092**

(22) Filed: **Apr. 28, 2021**

(51) **LOC (14) Cl.** **25-03**

(52) **U.S. Cl.**
USPC **D25/2**

(58) **Field of Classification Search**
USPC 482/55, 73; D21/662, 678, 801, 803;
472/128; 249/DIG. 3; D25/2
CPC E04H 4/00; E04H 4/0012; E04H 4/0018
See application file for complete search history.

(56) **References Cited**

U.S. PATENT DOCUMENTS

4,001,899	A *	1/1977	Mathis	A63B 69/125 4/493
4,599,835	A	7/1986	Rinke		
5,316,532	A	5/1994	Butler		
D356,164	S	3/1995	Rinke		
5,487,713	A	1/1996	Butler		
D388,880	S *	1/1998	DeFilippo	D25/2
D449,895	S	10/2001	Wilson		
6,543,191	B1	4/2003	Kress		
D548,898	S	8/2007	Northrop et al.		
8,074,304	B1	12/2011	Snyder		
D800,852	S	10/2017	Flook		

OTHER PUBLICATIONS

“HydroWorx 750 Athletic Rehabilitation Aquatic Therapy Pool” available Feb. 24, 2019, [online], [site visited Feb. 24, 2019] Available from internet, <URL:https://www.hydroworx.com/products/hydroworx-750/> (2019).

“TSG Medical, Physical_therapy_device_Ladder_for_rehabilitation_training” available Feb. 24, 2019 [online], [site visited Feb. 24, 2019] Available from internet, <URL:http://www.tsgmedicalsupply.com/sale-9088141-physical-therapy-device-ladder-for-rehabilitation-training.html> (2019).

(Continued)

Primary Examiner — Gino Colan

Assistant Examiner — Gregory G McLemore

(74) *Attorney, Agent, or Firm* — Dinsmore & Shohl

(57) **CLAIM**

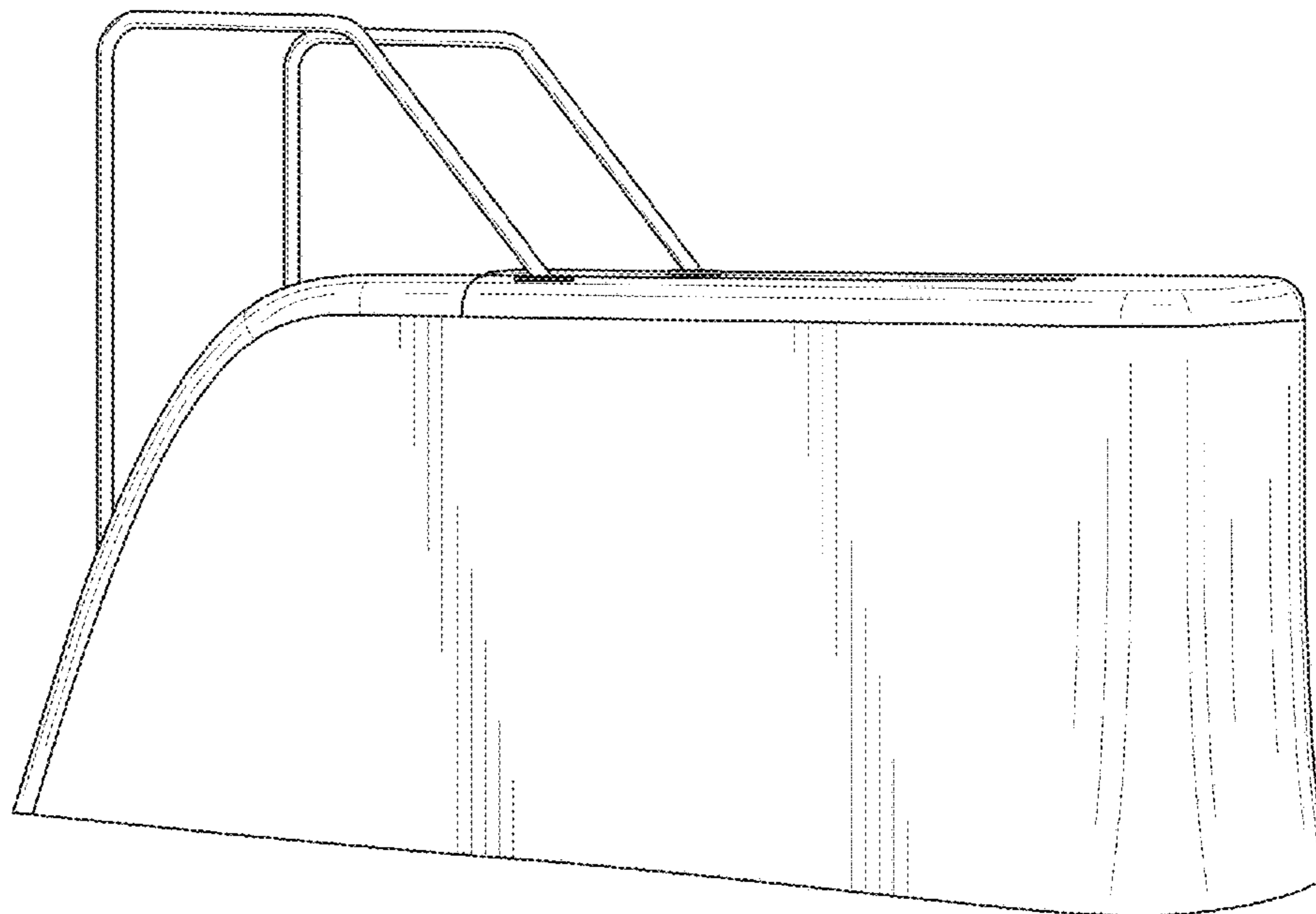
The ornamental design for a water fitness equipment, as shown and described.

DESCRIPTION

FIG. 1 is a perspective view of the top, side and front of a water fitness equipment of my new design; FIG. 2 is a side elevational view thereof; FIG. 3 is a front elevational view thereof; FIG. 4 is a rear elevational view thereof; FIG. 5 is a top elevational view thereof; FIG. 6 is a bottom elevational view thereof; and, FIG. 7 is a side elevational view thereof.

The broken lines shown in the figures are included for the purpose of illustrating portions of the water fitness equipment and form no part of the claimed design.

1 Claim, 5 Drawing Sheets



(56)

References Cited

OTHER PUBLICATIONS

“Ruse Sports, Rehabilitation Ladder with different height of the steps on both sides” available Feb. 24, 2019 [online], [site visited Apr. 30, 2021] Available from internet, <URL:<https://www.ruse-sport.com/produkt/st-lbichka-za-rehabilitacija/>> (2019).

Chris Allen, Design U.S. Appl. No. 29/620,198 for “Water Fitness Equipment” filed Aug. 11, 2016.

“Chris Allen Arthritis” <https://www.youtube.com/watch?v=dqut0fKl69I> [online] Nov. 17, 2009.

* cited by examiner

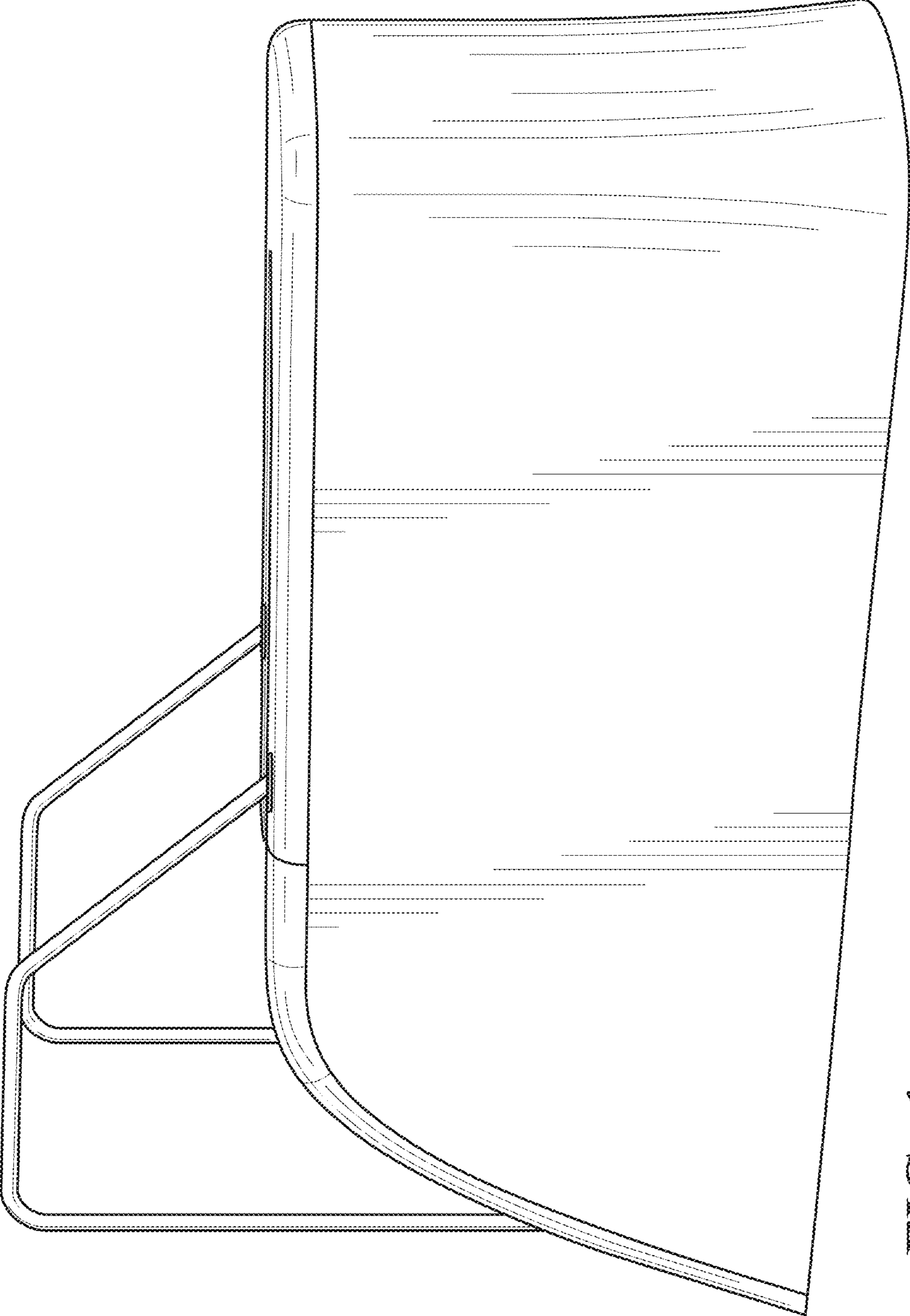


FIG. 1

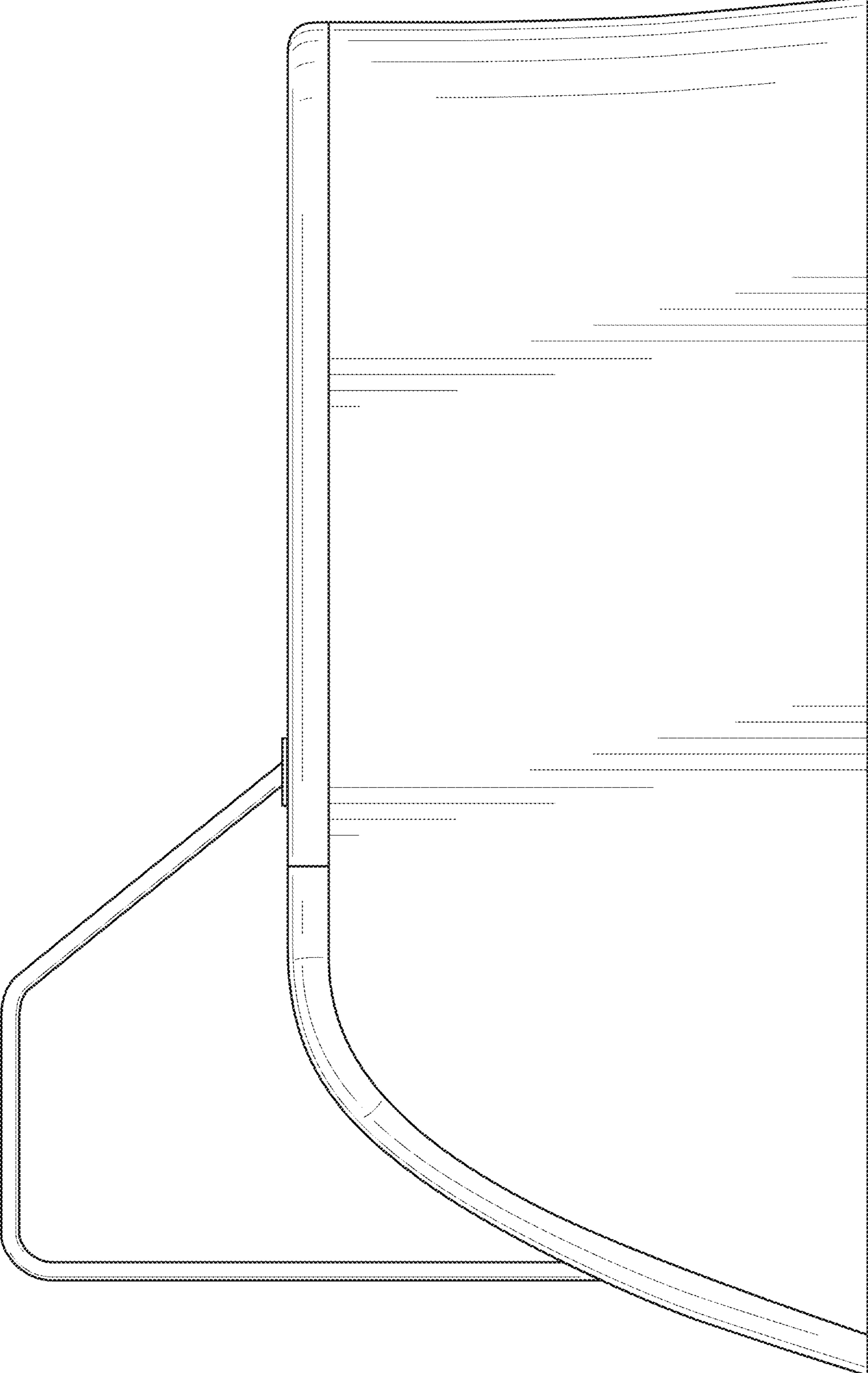


FIG. 2

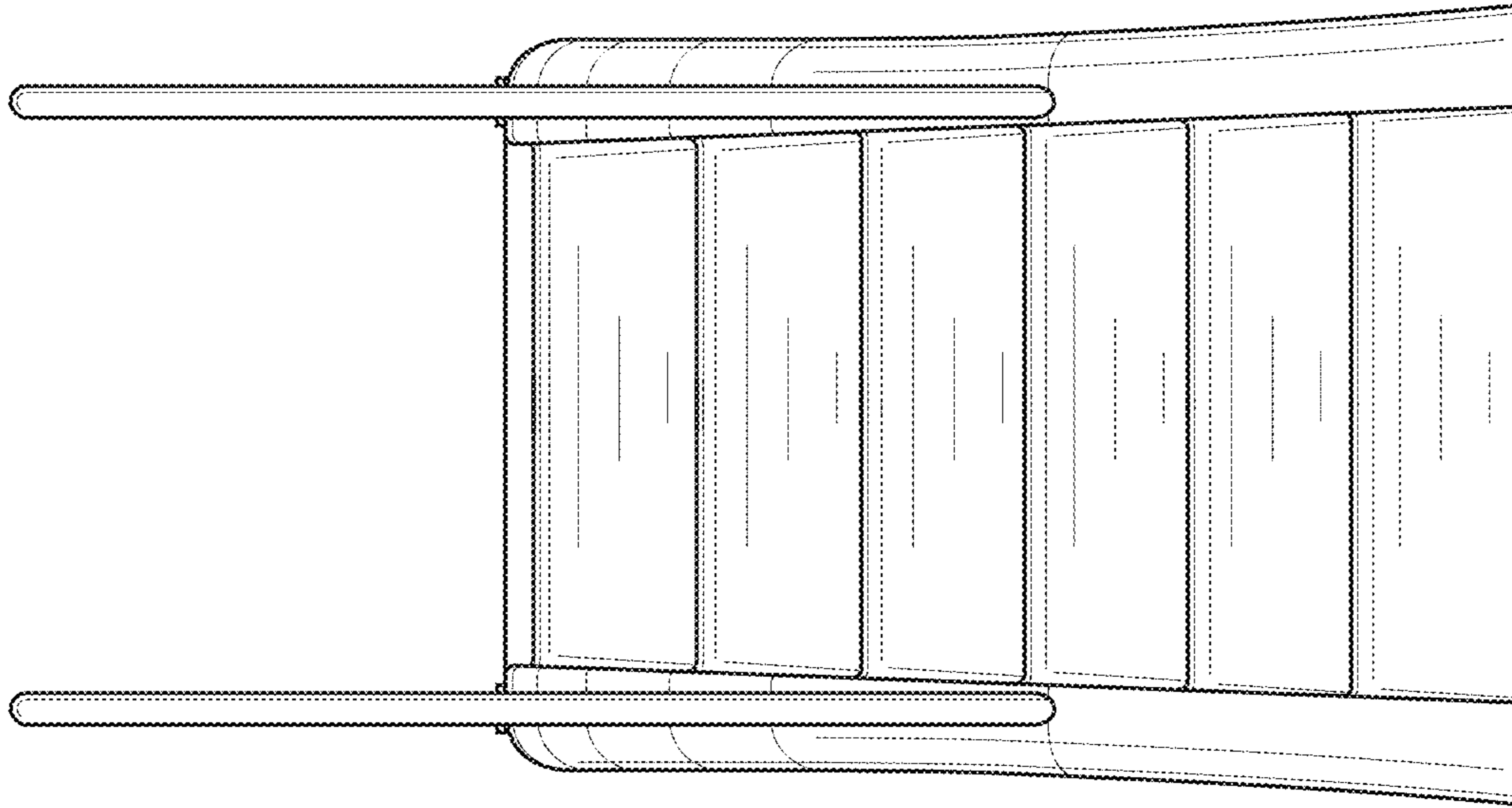


FIG. 4

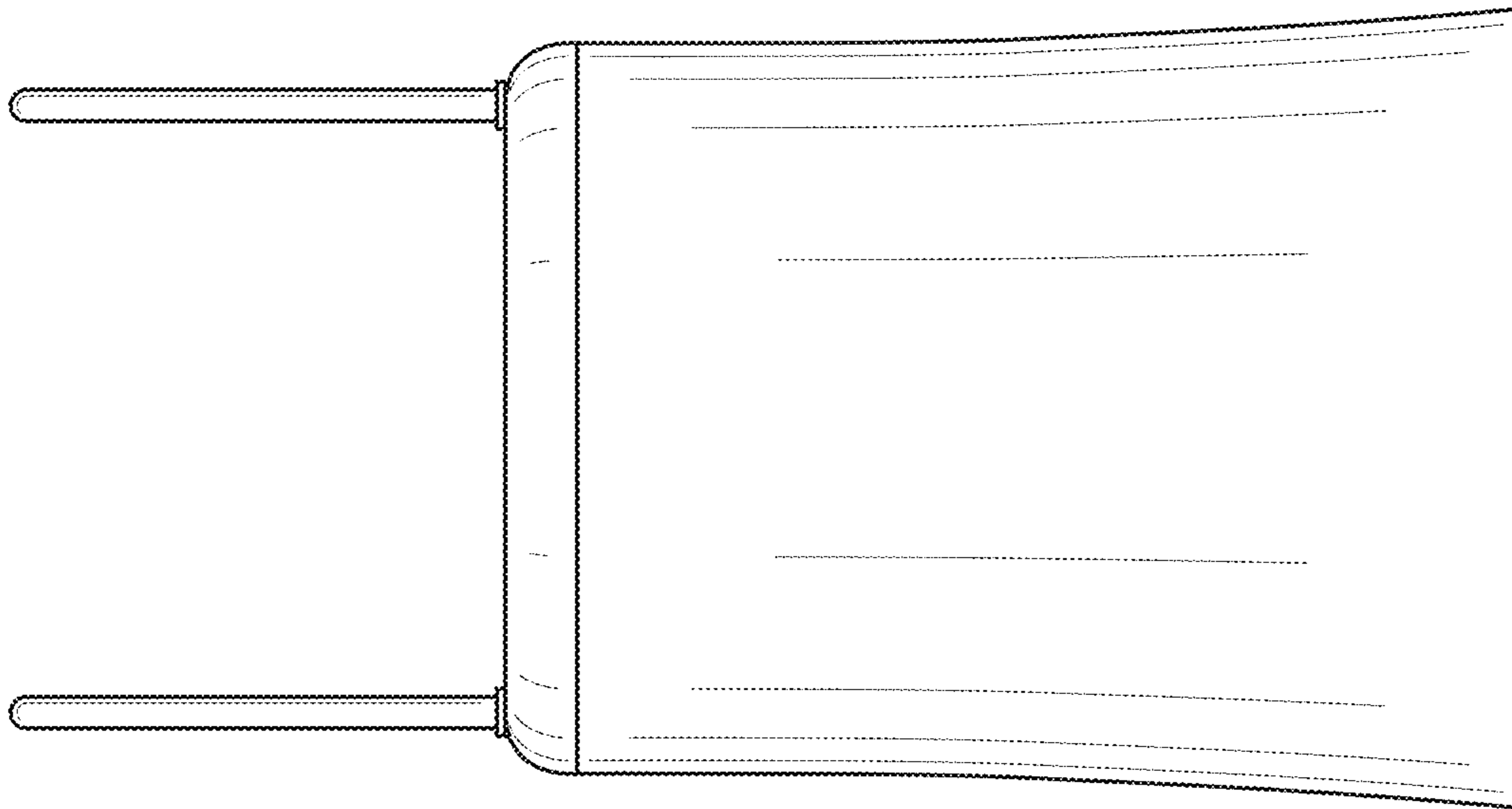


FIG. 3

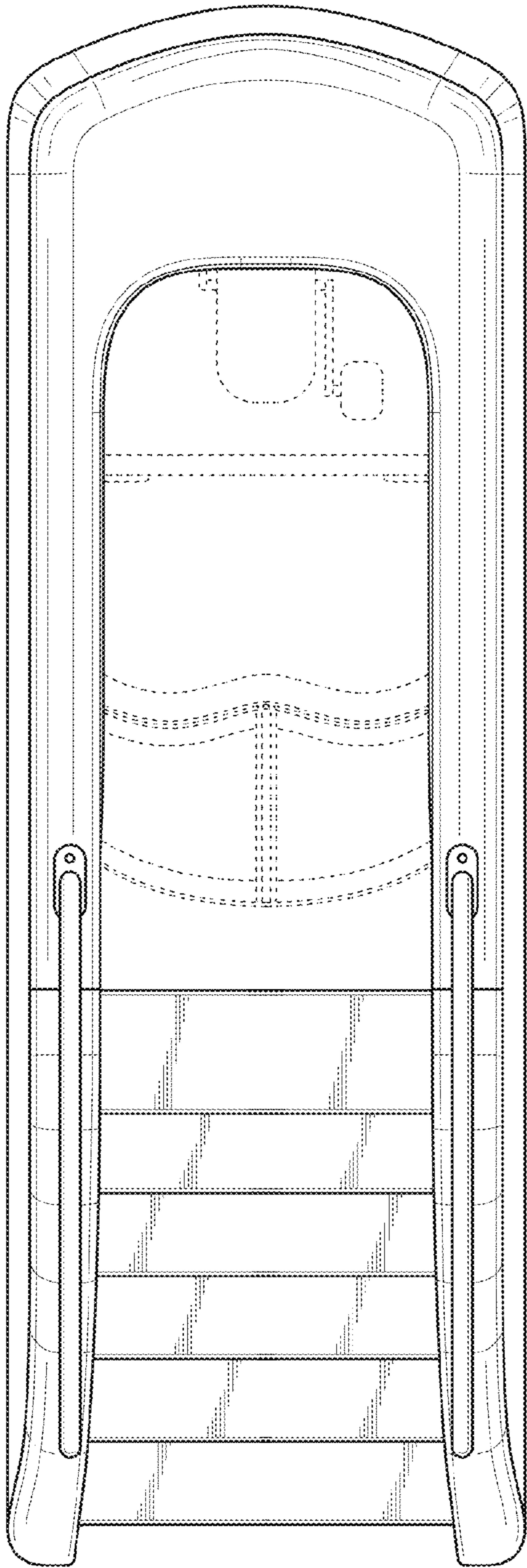


FIG. 5

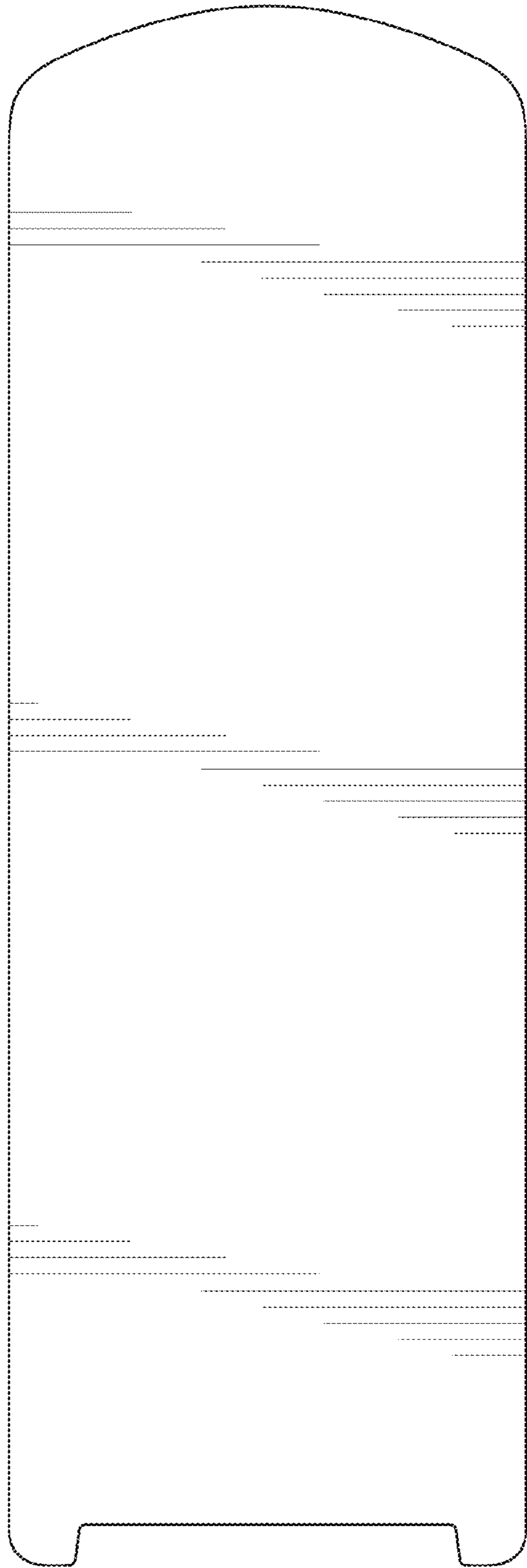


FIG. 6

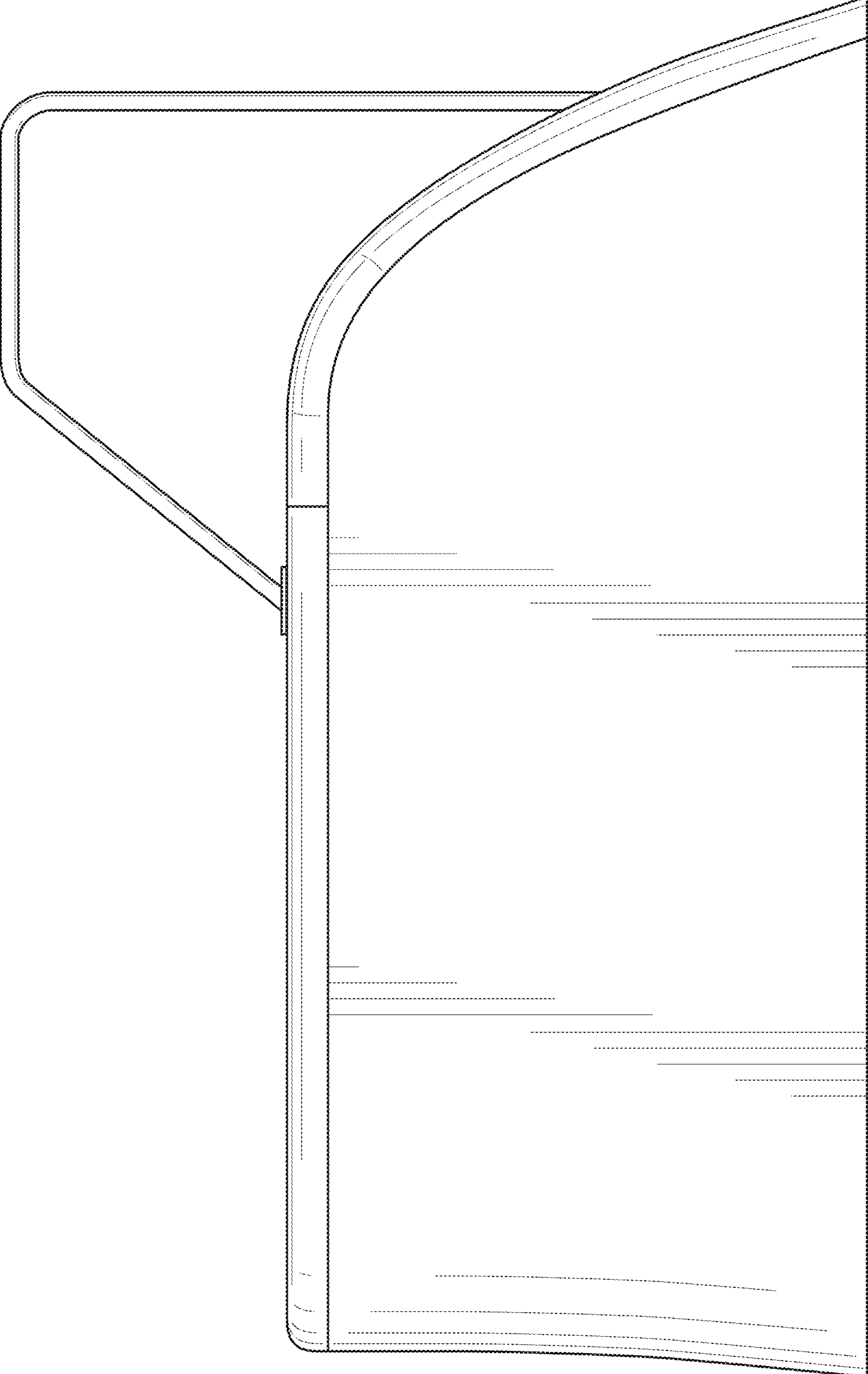


FIG. 7