



US00D989344S

(12) **United States Design Patent**
Setzer, Sr. et al.

(10) **Patent No.:** **US D989,344 S**

(45) **Date of Patent:** **** Jun. 13, 2023**

(54) **VIAL GRABBER**

(71) Applicants: **Mitchell Olin Setzer, Sr.**, Lenoir, NC
(US); **Mitchell Olin Setzer, Jr.**, Lenoir,
NC (US)

(72) Inventors: **Mitchell Olin Setzer, Sr.**, Lenoir, NC
(US); **Mitchell Olin Setzer, Jr.**, Lenoir,
NC (US)

(**) Term: **15 Years**

(21) Appl. No.: **29/778,280**

(22) Filed: **Apr. 12, 2021**

(51) **LOC (14) Cl.** **24-02**

(52) **U.S. Cl.**
USPC **D24/227**

(58) **Field of Classification Search**
USPC D24/108, 111, 127-129, 216, 220, 221,
D24/227, 228, 231, 232; D10/81
CPC B01F 15/0201; B01F 15/0247; F04B
53/007; F04B 53/109; F04B 53/166;
G01N 35/1081
See application file for complete search history.

(56) **References Cited**

U.S. PATENT DOCUMENTS

2,902,170	A *	9/1959	Miller	B01L 9/06 211/72
D208,777	S *	10/1967	Johnson	D24/229
4,278,176	A *	7/1981	Adams	B01L 9/06 211/74
D305,836	S *	2/1990	Maia	D6/682.2
5,242,053	A *	9/1993	Rowe	B01L 9/06 206/459.5
D379,509	S *	5/1997	Macko	D24/128
D413,677	S *	9/1999	Dumitrescu	D24/227
D560,817	S *	1/2008	Qian	D24/229
D595,423	S *	6/2009	Johansson	D24/229

D657,869	S *	4/2012	Mammen	D24/128
D724,724	S *	3/2015	McAtamney	D24/128
RE46,207	E *	11/2016	Brede	D24/107
D829,339	S *	9/2018	Doebler	D24/227
10,975,905	B1 *	4/2021	Freed	F04B 53/164
D945,639	S *	3/2022	Anderson	D24/227
2011/0142701	A1 *	6/2011	Small	F04B 53/162 417/521
2021/0325416	A1 *	10/2021	Setzer, Sr.	G01N 35/1081

FOREIGN PATENT DOCUMENTS

IN 357052-001 * 4/2022

* cited by examiner

Primary Examiner — Omeed Agilee

(74) *Attorney, Agent, or Firm* — William Simmons;
Simmons Patents

(57) **CLAIM**

The ornamental design for a vial grabber, as shown and described.

DESCRIPTION

FIG. 1 is a front, top perspective view of a vial grabber in a state of use;

FIG. 2 is a front, top perspective view thereof with vials removed;

FIG. 3 is a top plan view thereof;

FIG. 4 is a bottom plan view of thereof;

FIG. 5 is a front elevation view thereof;

FIG. 6 is a back elevation view thereof;

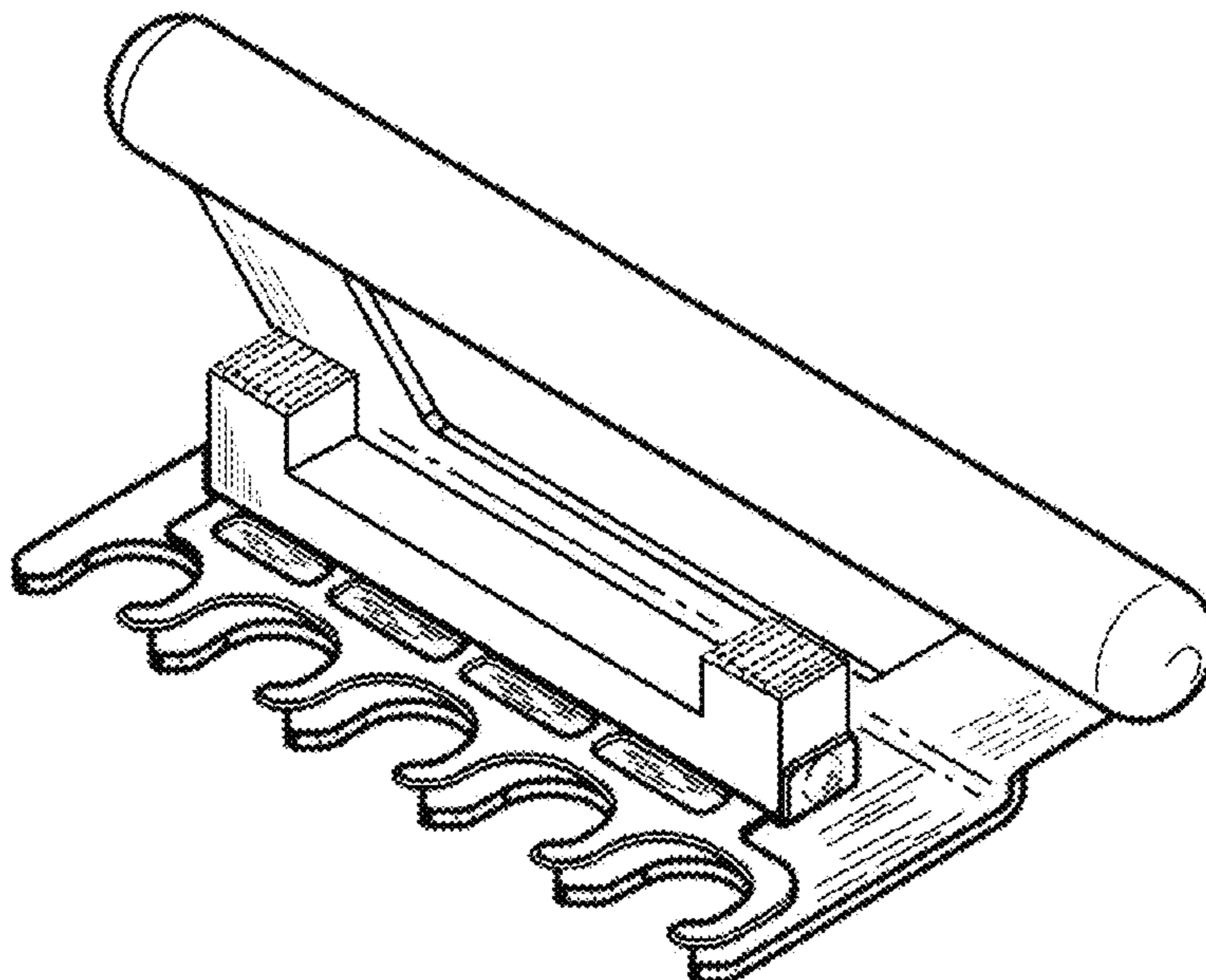
FIG. 7 is a left elevation view thereof; and,

FIG. 8 is a right elevation view thereof.

The short dash broken lines in the drawings depict portions of the vial grabber that form no part of the claimed design.

The long dash lines depict environmental subject matter only and form no part of the claimed design.

1 Claim, 5 Drawing Sheets



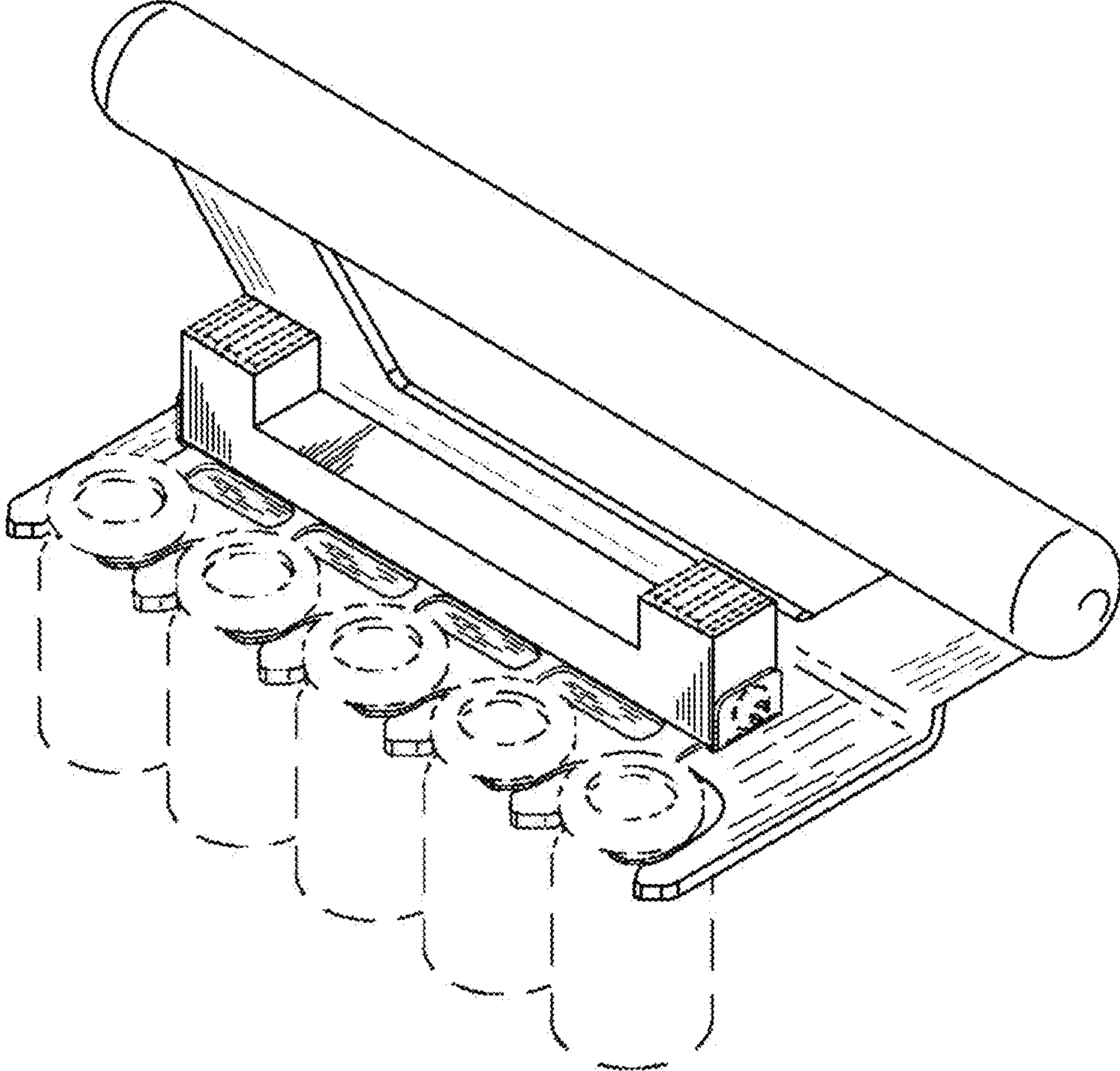


Fig. 1

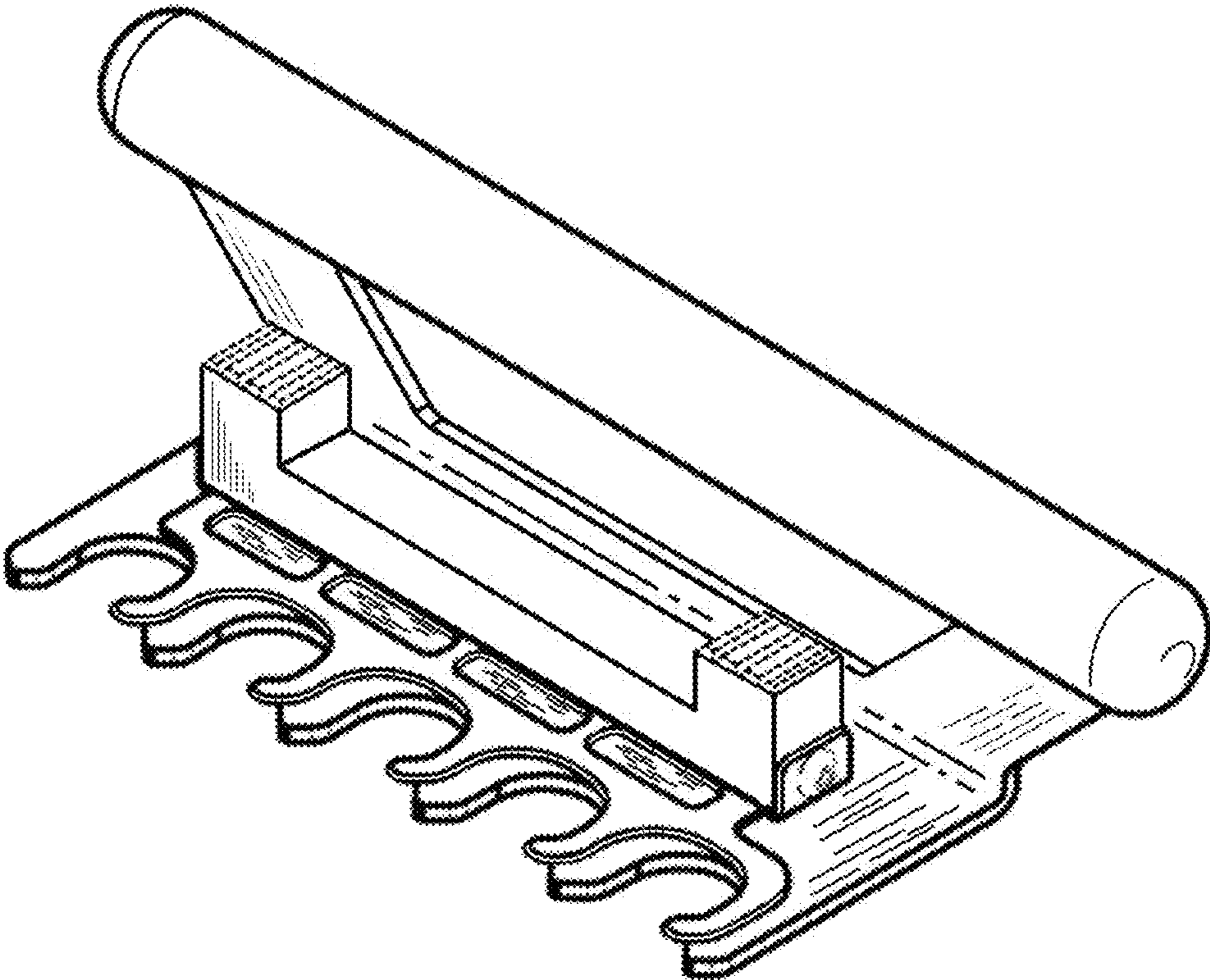


Fig. 2

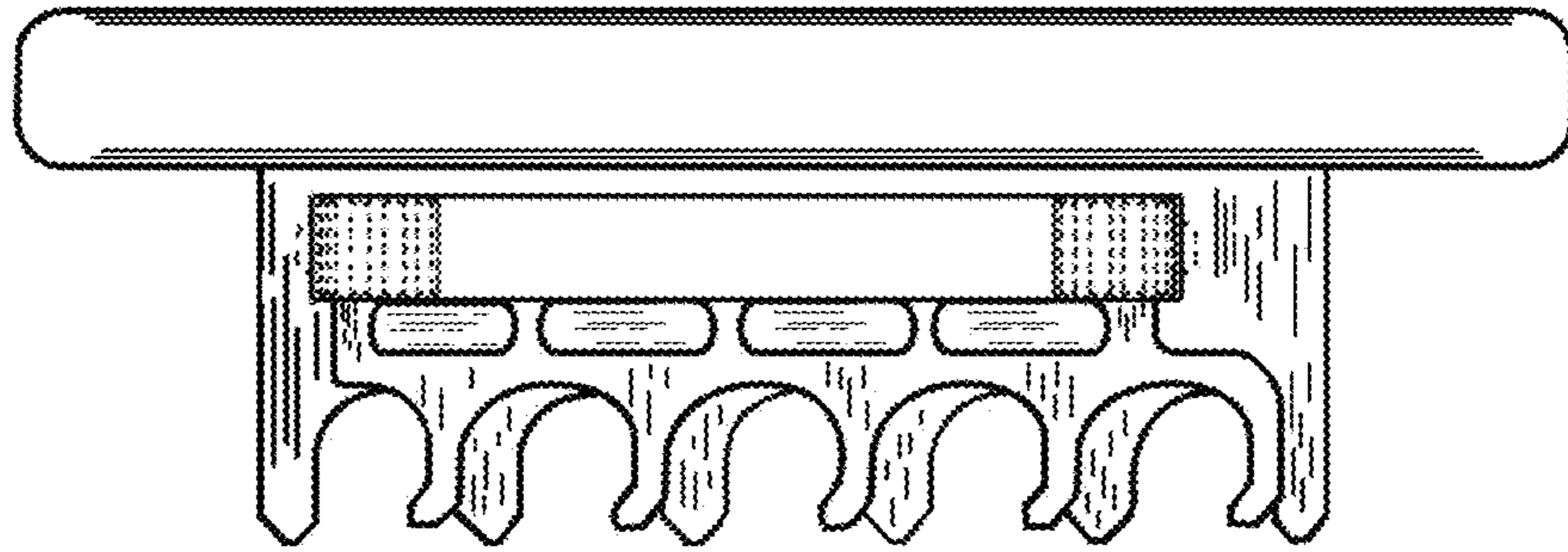


Fig. 3

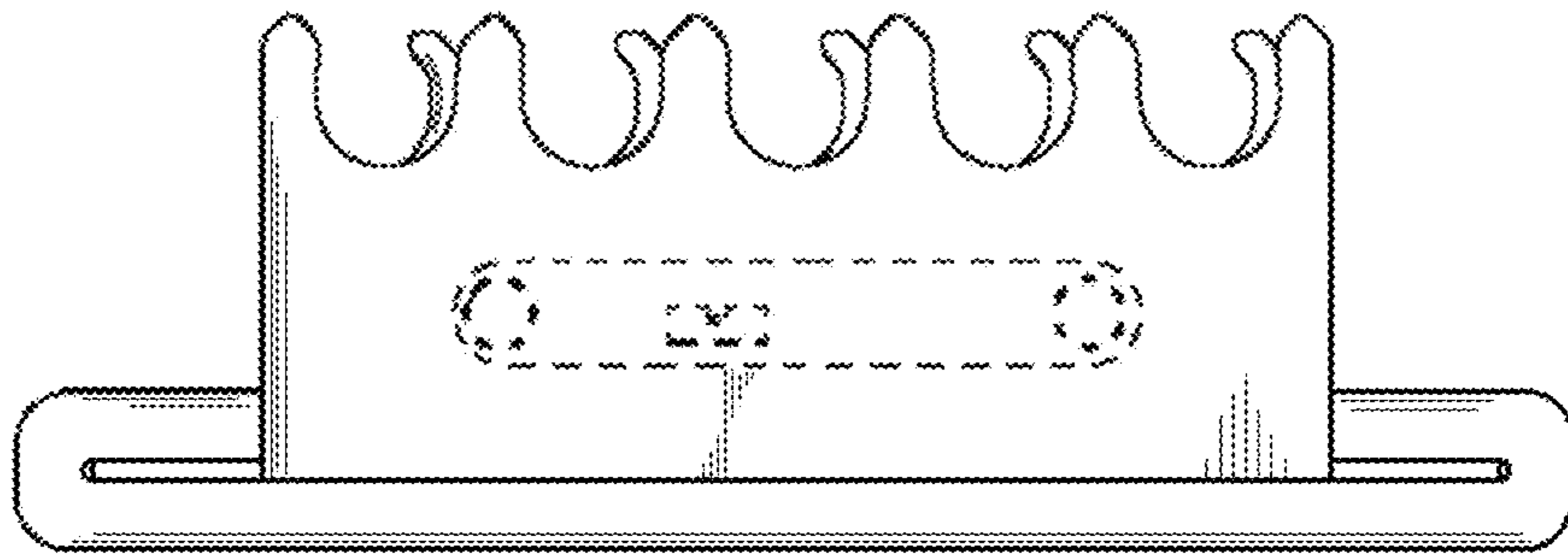


Fig. 4

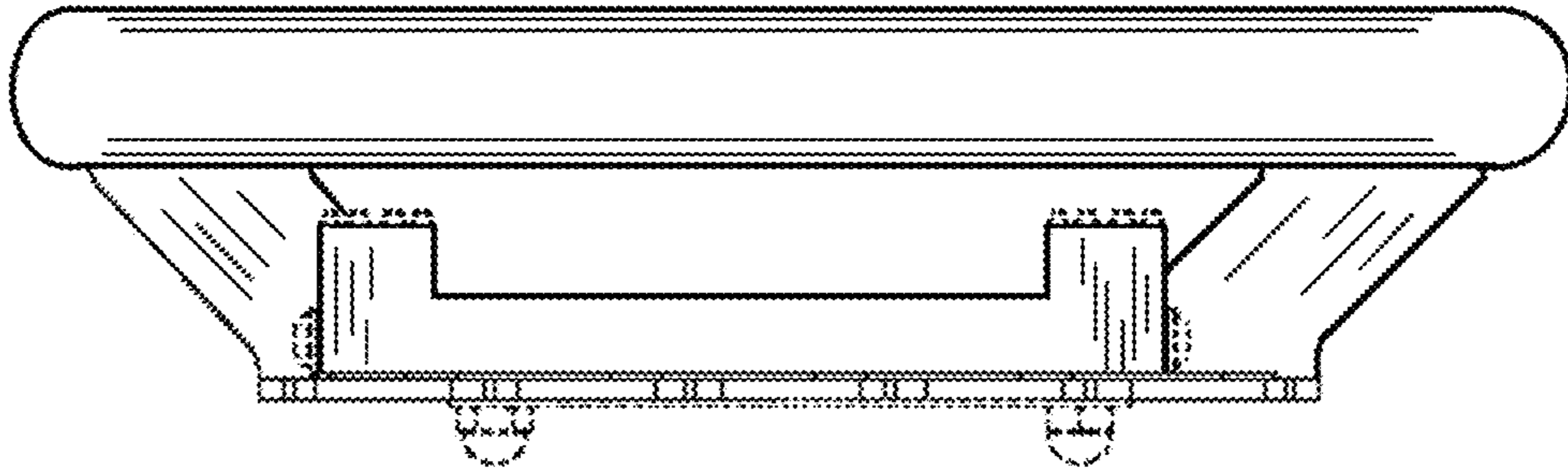


Fig. 5

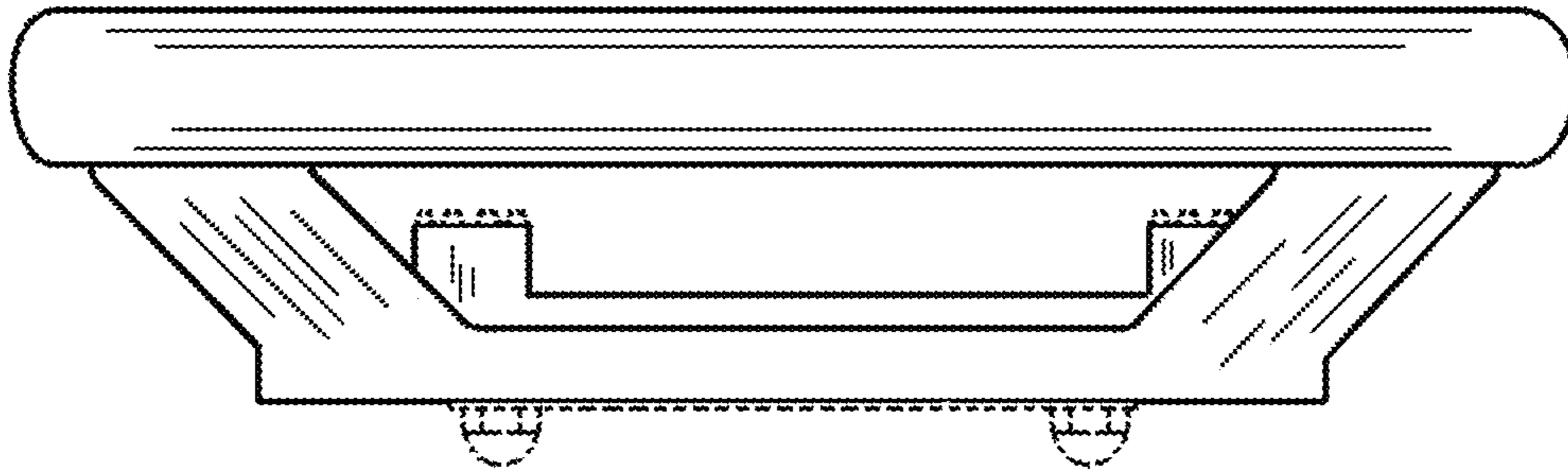


Fig. 6

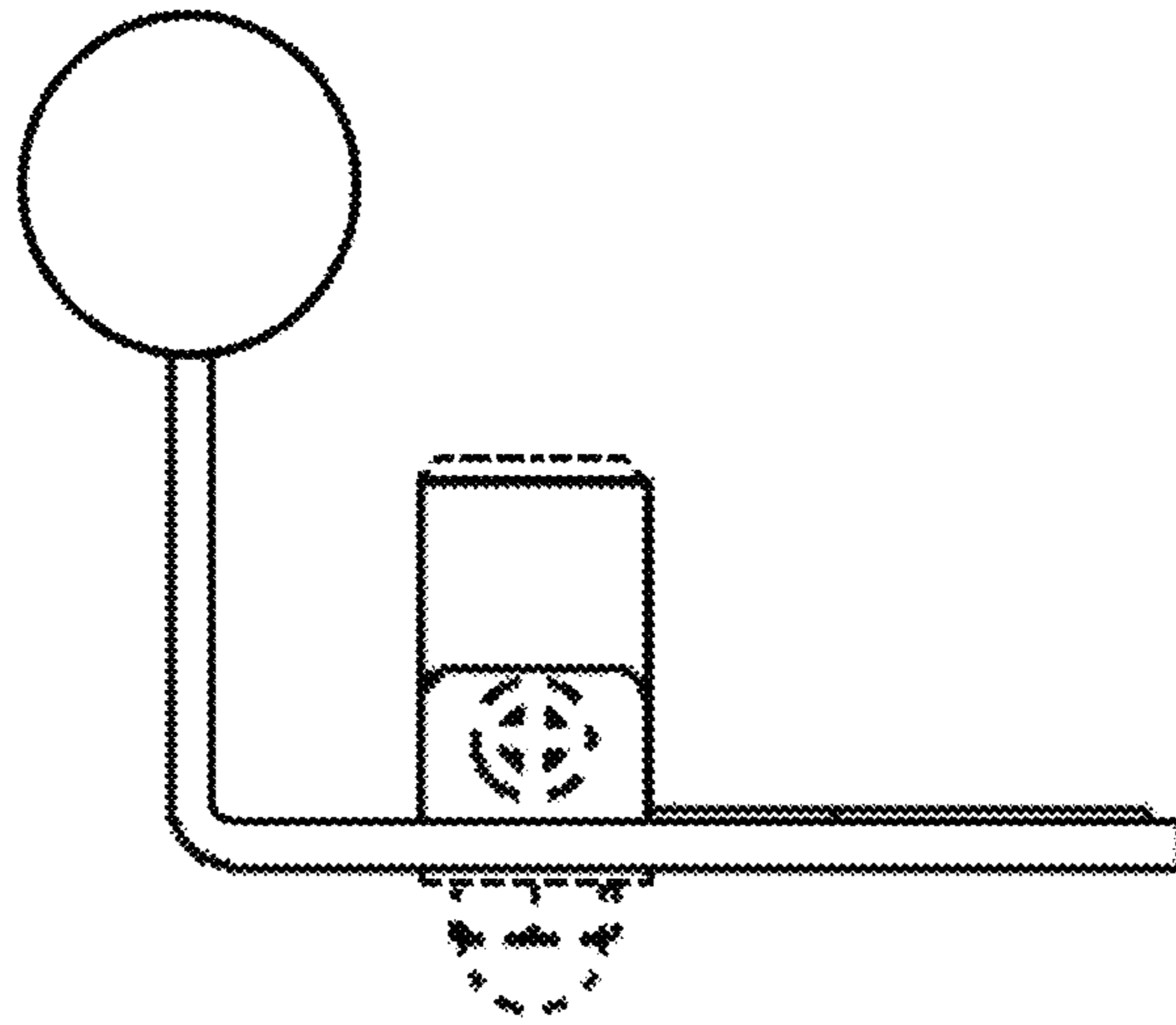


Fig. 7

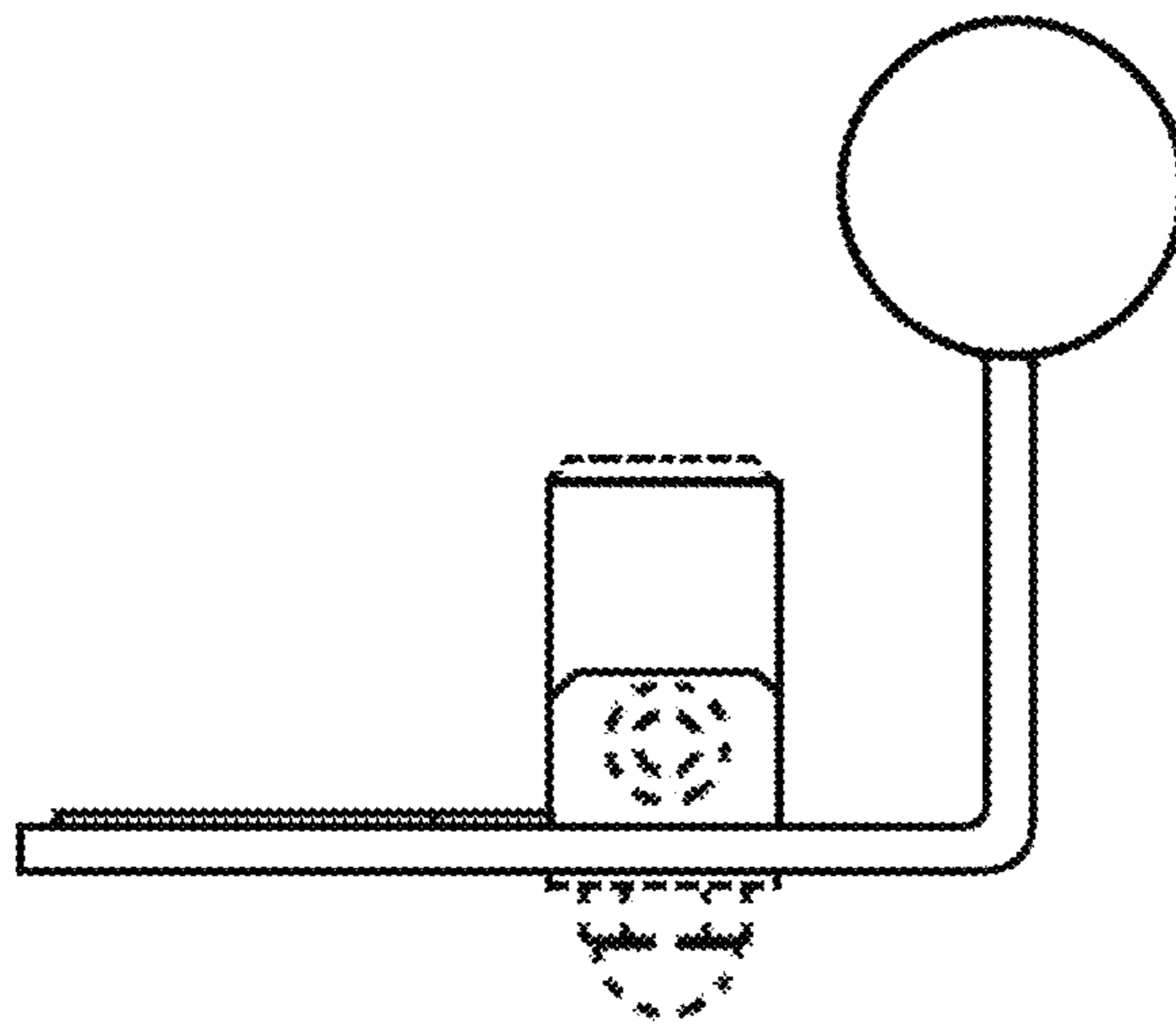


Fig. 8