



US00D989343S

(12) **United States Design Patent**
Gao et al.

(10) **Patent No.:** **US D989,343 S**

(45) **Date of Patent:** **** Jun. 13, 2023**

(54) **SAMPLE VIAL WITH A LID**
(71) Applicants: **Lujia Gao**, Shijiazhuang (CN); **Alan B. Miller**, Johns Creek, GA (US)
(72) Inventors: **Lujia Gao**, Shijiazhuang (CN); **Alan B. Miller**, Johns Creek, GA (US)

(**) Term: **15 Years**

(21) Appl. No.: **29/773,781**

(22) Filed: **Mar. 11, 2021**

(51) **LOC (14) Cl.** **24-02**

(52) **U.S. Cl.**
USPC **D24/224**

(58) **Field of Classification Search**
USPC D24/107, 121–123, 216–217, 219,
D24/223–227, 229–231, 232; D9/504,
D9/516, 519, 529, 549, 574, 715, 719;
D3/201, 203.1, 203.2
CPC B29C 65/665; A61B 10/0045; B01L 3/14;
B01L 3/50825
See application file for complete search history.

(56) **References Cited**

U.S. PATENT DOCUMENTS

D250,481 S * 12/1978 Whattam D24/224
D256,053 S * 7/1980 Steigerwald D9/556
4,832,917 A * 5/1989 Elliott G01T 7/02
422/558
4,953,741 A * 9/1990 Jessop B01L 3/5021
422/918
5,513,768 A * 5/1996 Smith B65D 55/16
D9/446
5,604,101 A * 2/1997 Hanley B01L 3/50825
435/6.16
D439,673 S * 3/2001 Brophy D24/226
D453,573 S * 2/2002 Lafond D24/224
D574,507 S * 8/2008 Muir D24/224

D621,951 S * 8/2010 Bucholtz D24/224
D659,848 S * 5/2012 TerMaat D24/224
D690,025 S * 9/2013 TerMaat D24/224
D707,364 S * 6/2014 Spencer D9/446
D833,639 S * 11/2018 Peltosaari D24/224
D857,883 S * 8/2019 Knight G01N 35/10
D24/121
D881,410 S * 4/2020 Motadel D24/224
D933,203 S * 10/2021 Zhang D24/121
2013/0309147 A1 * 11/2013 Yu B01L 3/50853
422/550
2014/0256058 A1 * 9/2014 Dobrowolski B01L 3/50825
422/550

FOREIGN PATENT DOCUMENTS

CN 202030731498.5 * 8/2021

* cited by examiner

Primary Examiner — Omeed Agilee

(74) *Attorney, Agent, or Firm* — Singleton Law, PLLC;
Chainey P. Singleton

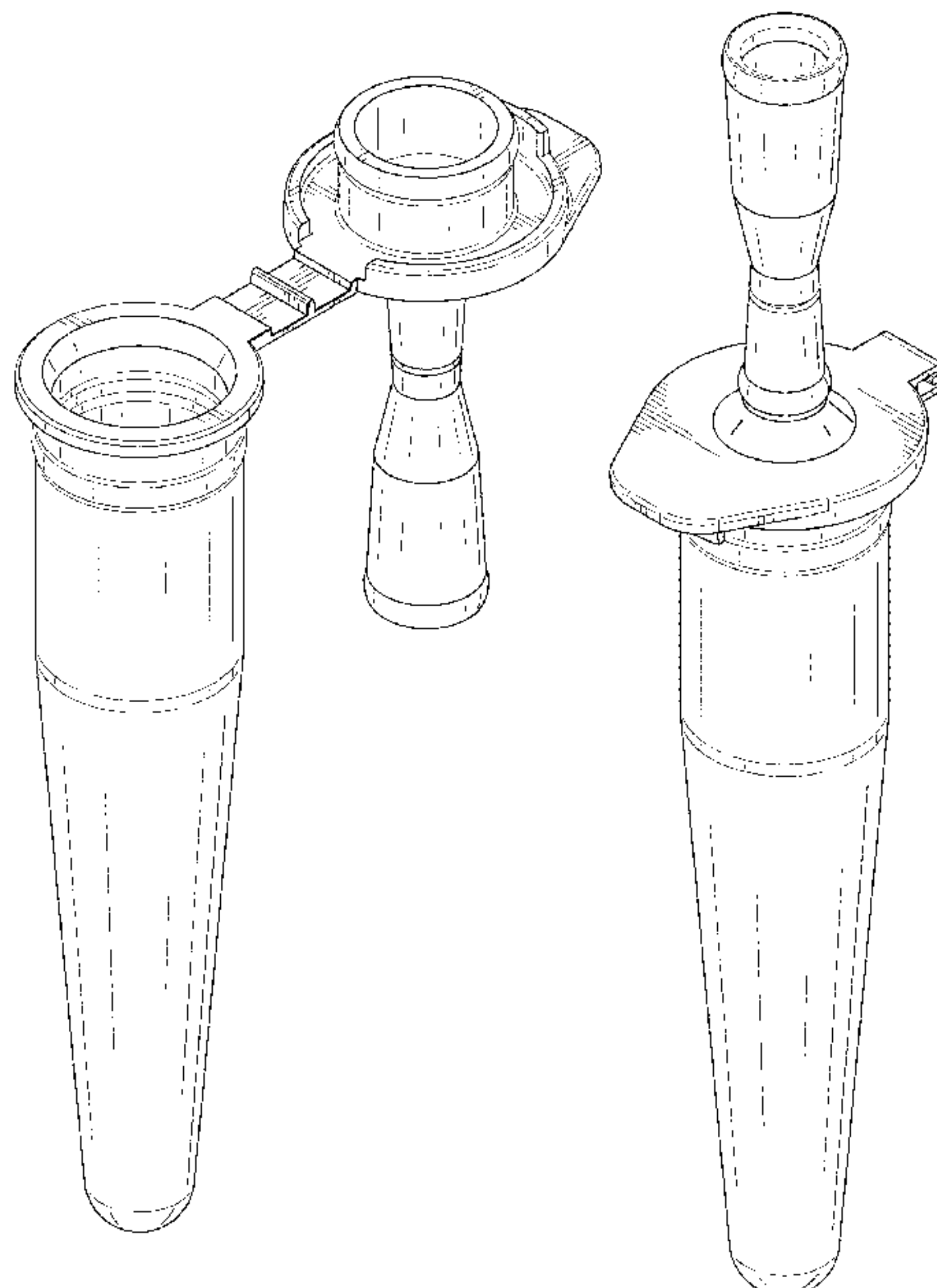
(57) **CLAIM**

The ornamental design for a sample vial with a lid, as shown and described.

DESCRIPTION

FIG. 1 is a front perspective view of a sample vial with a lid showing our new design with the lid in an open position; FIG. 2 is a front view thereof; FIG. 3 is a rear view thereof; FIG. 4 is a right view thereof; FIG. 5 is a top view thereof; FIG. 6 is a bottom view thereof; FIG. 7 is a bottom perspective view thereof; and, FIG. 8 is a top perspective view thereof with the lid in a closed position.

1 Claim, 6 Drawing Sheets



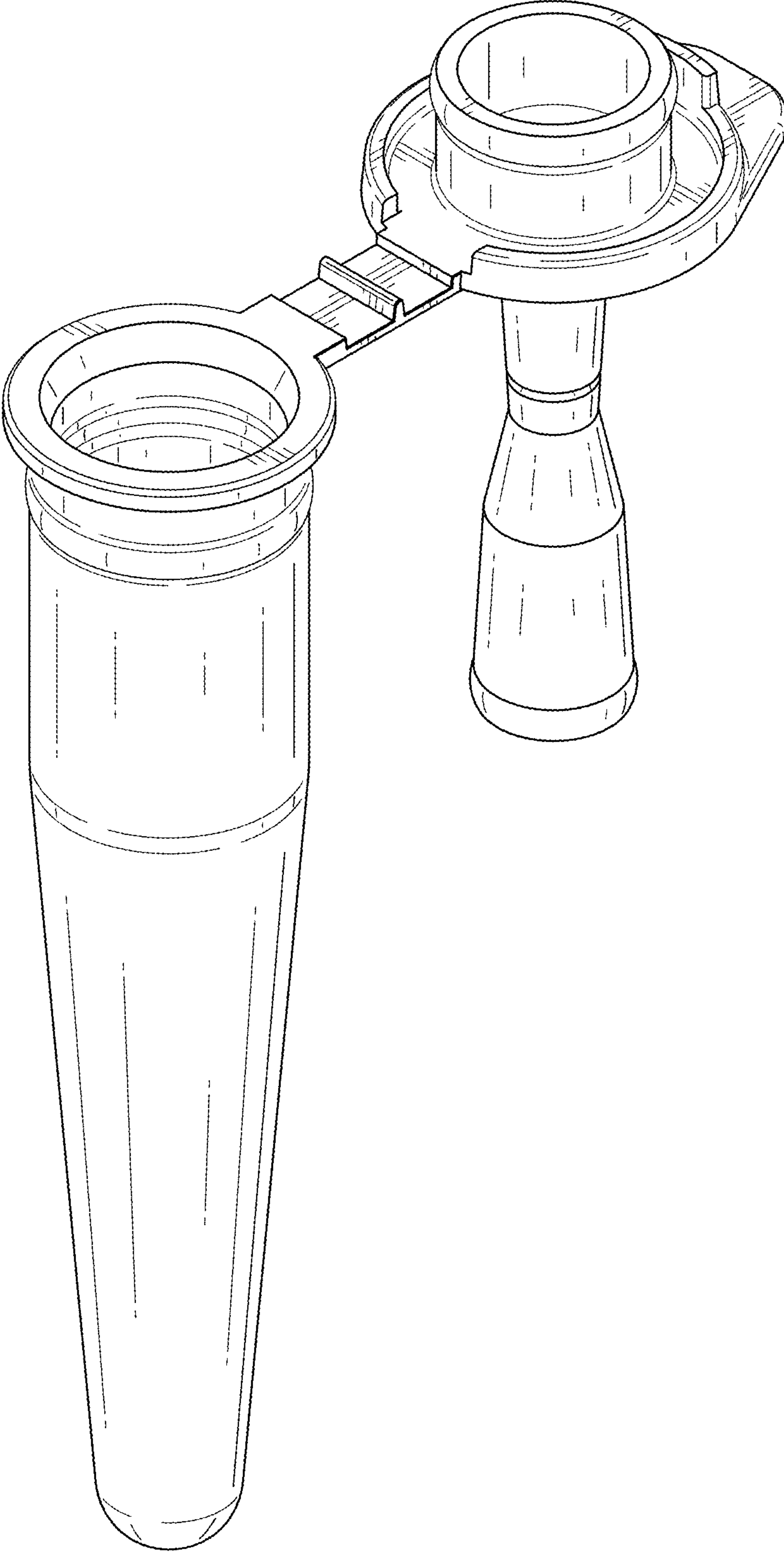


FIG. 1

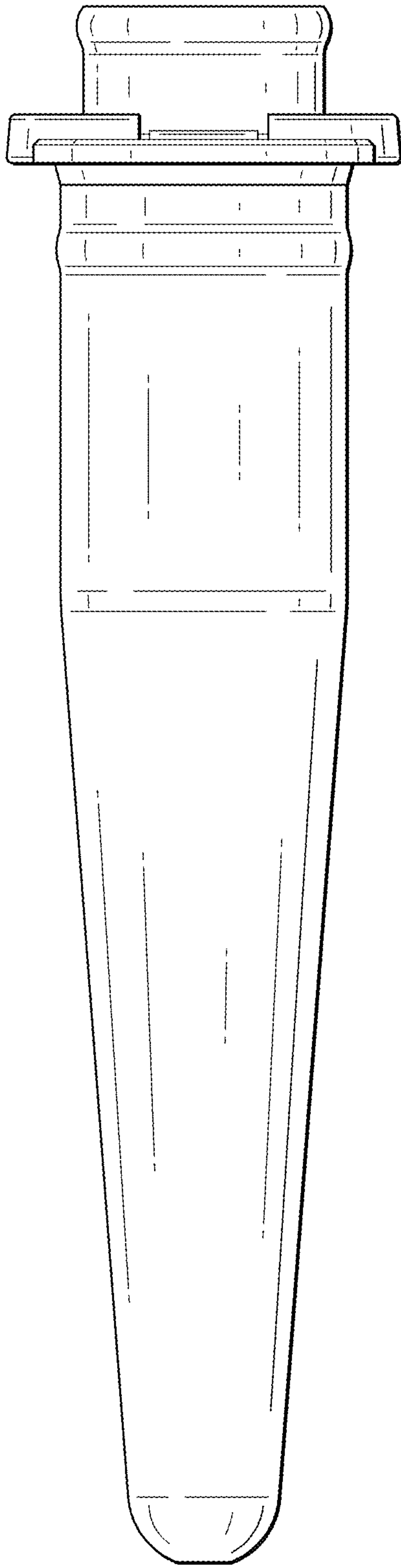


FIG. 2

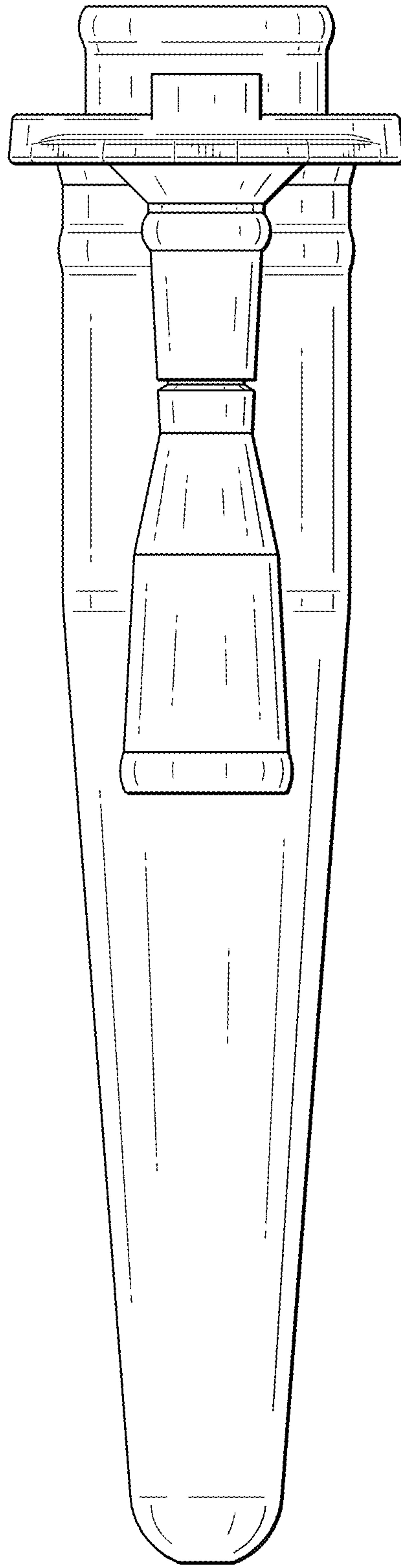


FIG. 3

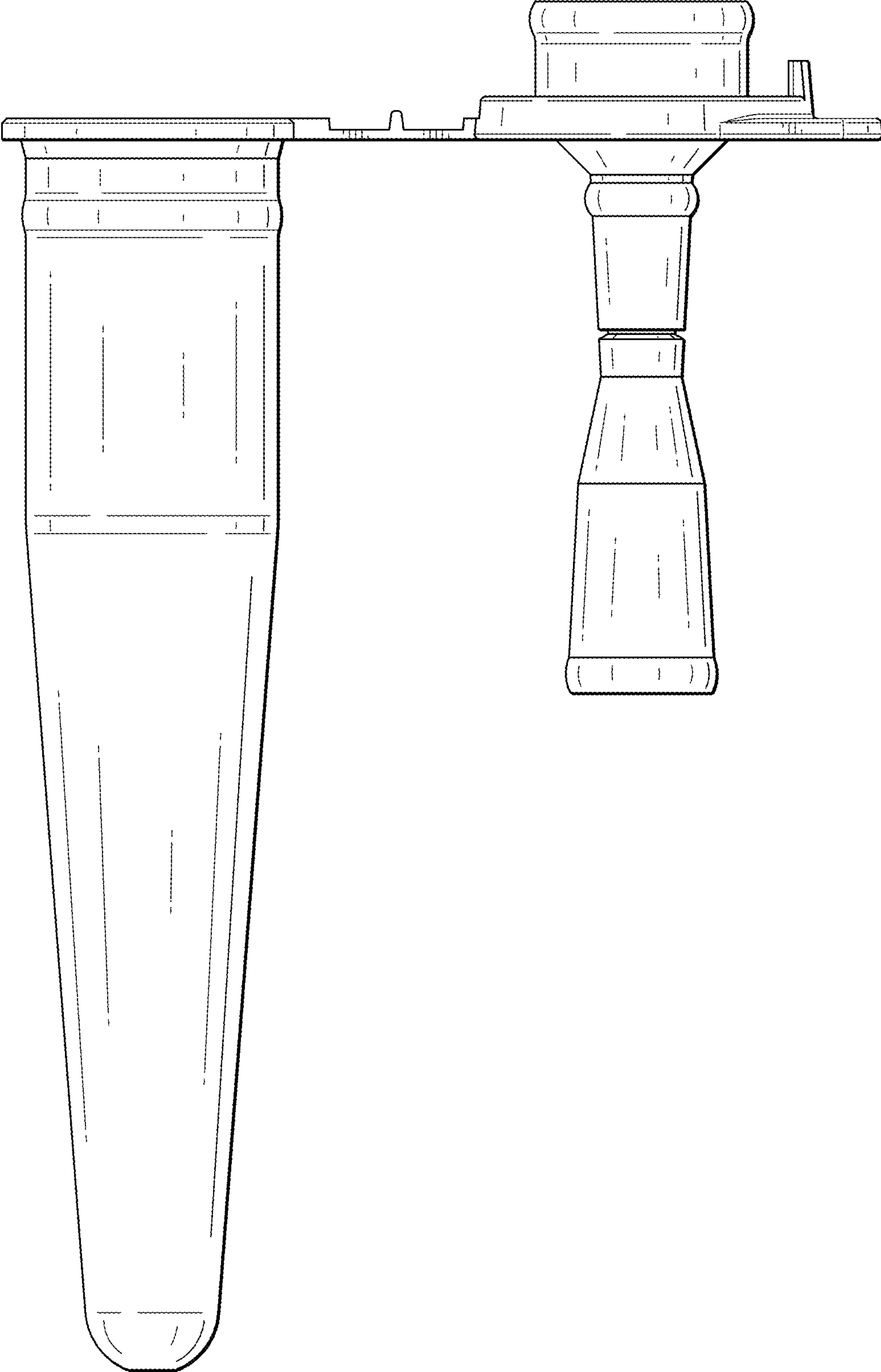


FIG. 4

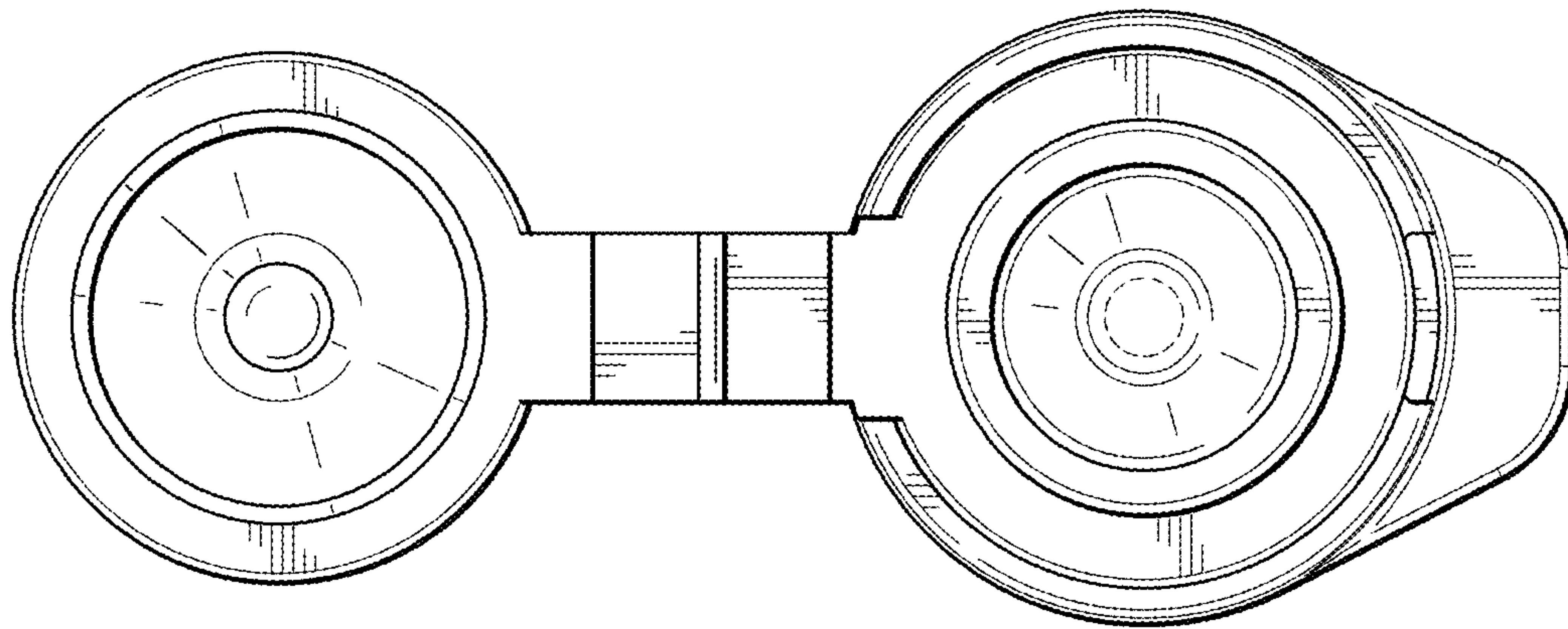


FIG. 5

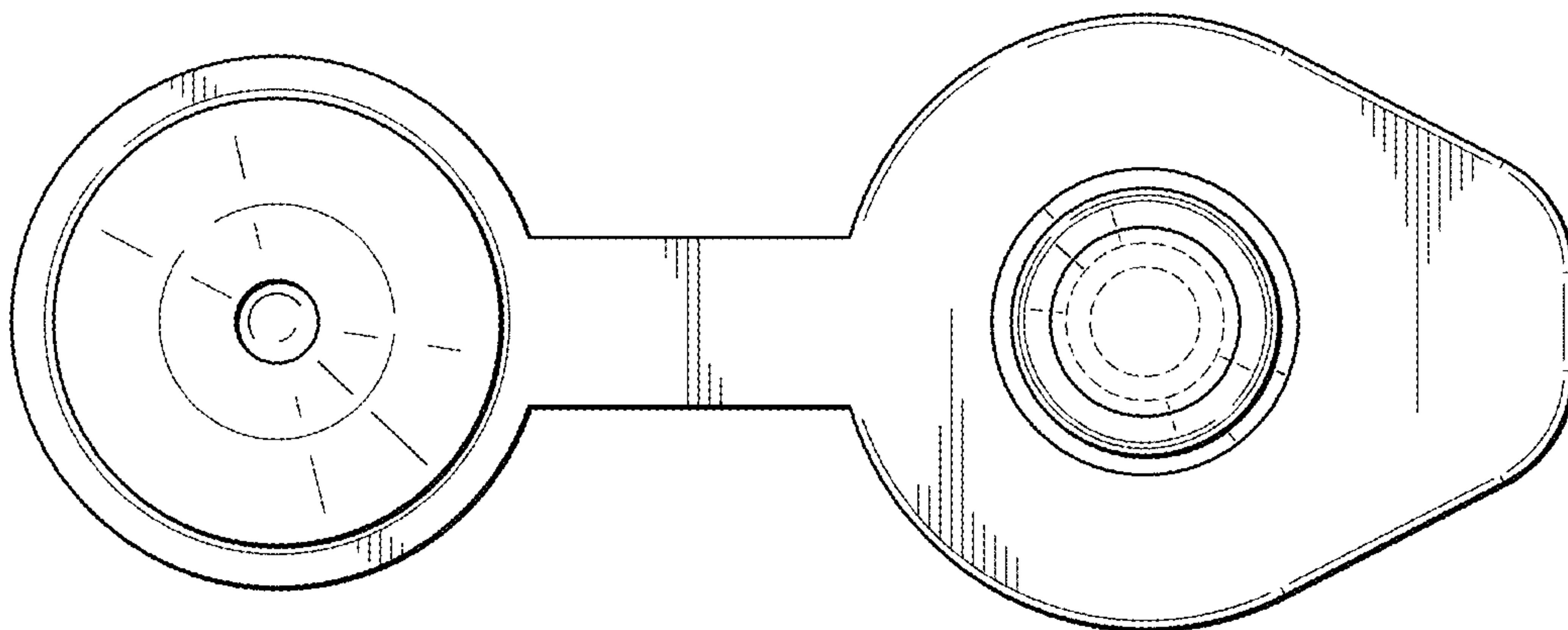


FIG. 6

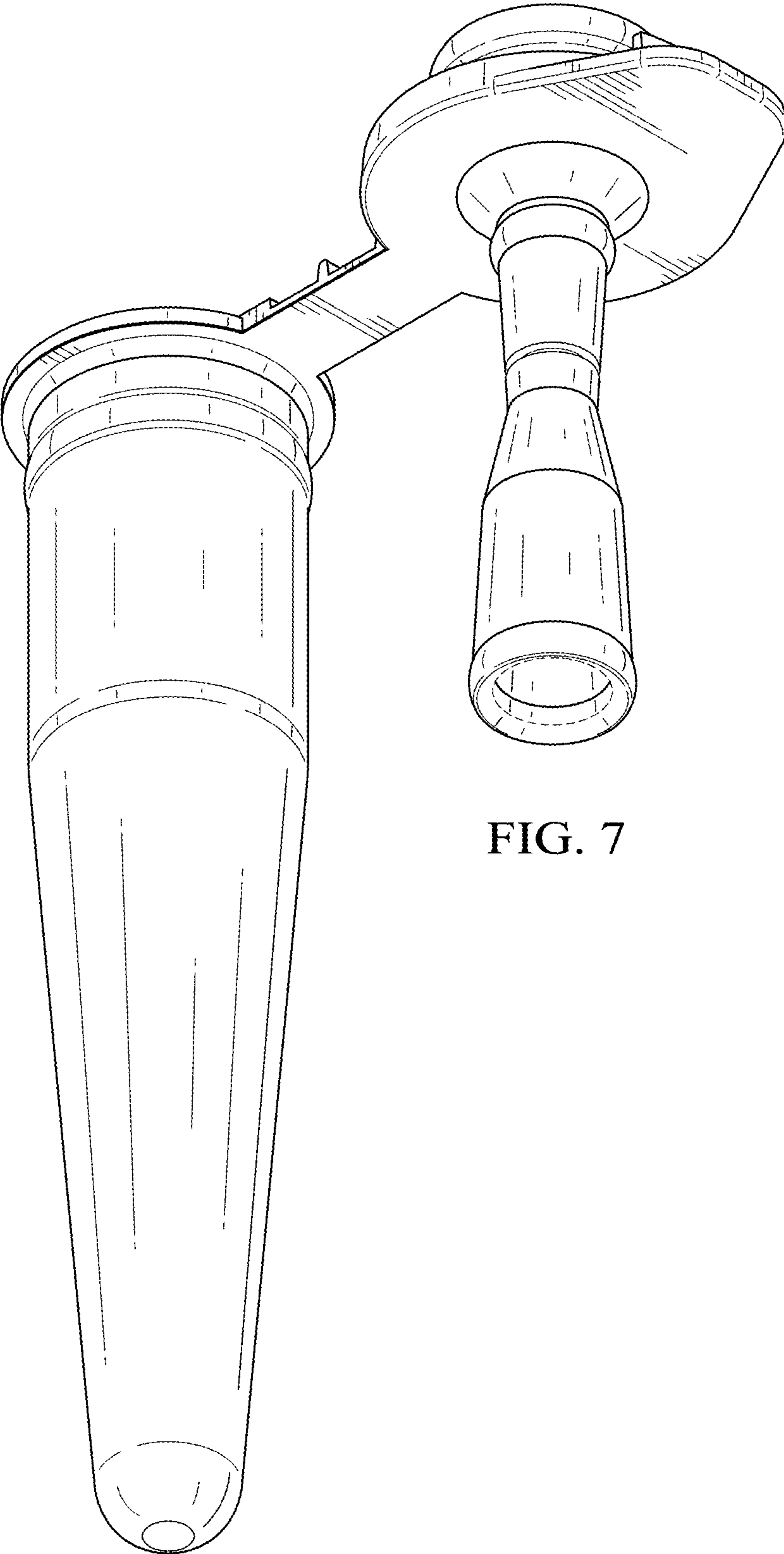


FIG. 7

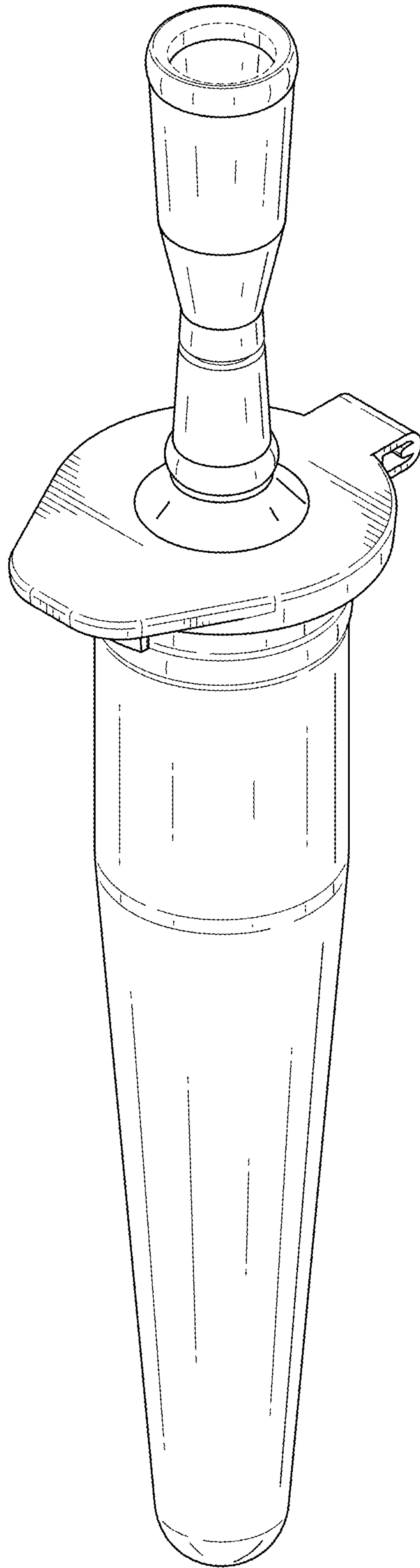


FIG. 8