



US00D989340S

(12) **United States Design Patent**
Yang

(10) **Patent No.:** **US D989,340 S**
(45) **Date of Patent:** **** Jun. 13, 2023**

(54) **SKIN CARE DEVICE**

(71) Applicant: **Beijing XinHaiRuiTeng International Technology Co., Ltd.**, Beijing (CN)

(72) Inventor: **Kun Yang**, Beijing (CN)

(73) Assignee: **Beijing XinHaiRuiTeng International Technology Co., Ltd.**, Beijing (CN)

(**) Term: **15 Years**

(21) Appl. No.: **29/803,425**

(22) Filed: **Aug. 12, 2021**

(51) **LOC (14) Cl.** **24-01**

(52) **U.S. Cl.**
USPC **D24/215**

(58) **Field of Classification Search**
USPC D24/127, 129, 130, 133, 188, 200, 211,
D24/212, 213, 214, 215; D28/44, 56, 58,
D28/63; D10/57
CPC A61N 2005/0644; A61N 2007/0034; A61H
2201/0153; A61H 7/005; A45D 2200/057
See application file for complete search history.

(56) **References Cited**

U.S. PATENT DOCUMENTS

D481,132 S *	10/2003	Kim	D24/200
D540,947 S *	4/2007	Jung	D24/209
D556,332 S *	11/2007	Han	D24/200
D879,290 S *	3/2020	Harman	D24/138
D898,207 S *	10/2020	Yang	D24/200
D899,616 S *	10/2020	Jung	D24/215
D925,752 S *	7/2021	Wang	D24/214
D942,030 S *	1/2022	Wang	D24/214
D942,031 S *	1/2022	Wang	D24/214
D964,581 S *	9/2022	Guo	D24/214
D976,425 S *	1/2023	Jin	D24/214

OTHER PUBLICATIONS

Amazon, "Facial Wand", Date First available: Jan. 18, 2022. https://www.amazon.com/Titoe-Rfrequency-Facial-Multi-Function-Machine/dp/B09QMC7PL5/ref=cm_cr_arp_d_product_top?ie=UTF8 (Year: 2022).*

* cited by examiner

Primary Examiner — Michael A Maharajh
(74) *Attorney, Agent, or Firm* — ScienBiziP, P.C.

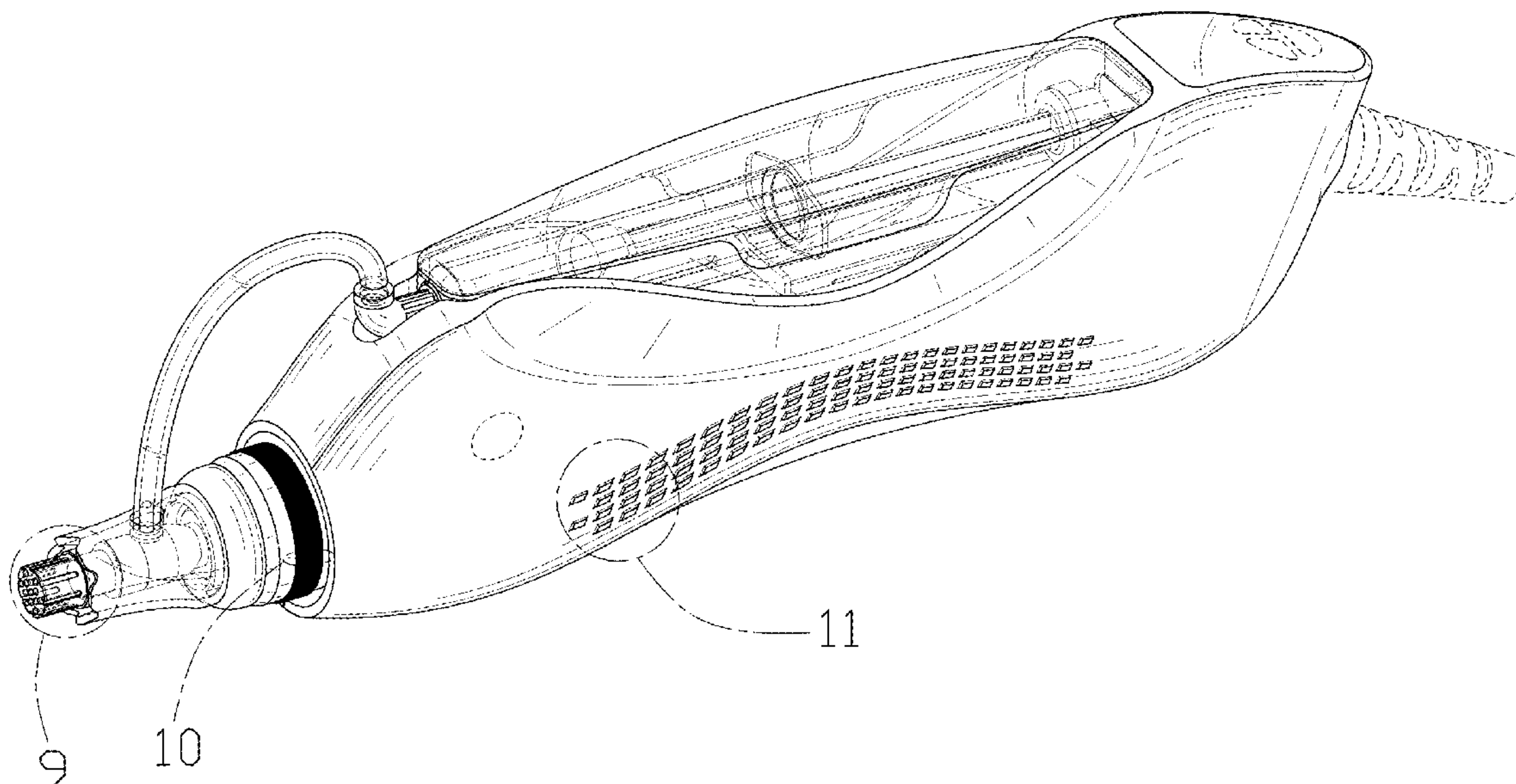
(57) **CLAIM**

The ornamental design for a skin care device, as shown and described.

DESCRIPTION

FIG. 1 is a front, left, and top perspective view of a skin care device, showing my design.
FIG. 2 is a rear, left, and top perspective view thereof.
FIG. 3 is a front elevation view thereof.
FIG. 4 is a rear elevation view thereof.
FIG. 5 is a left side elevation view thereof.
FIG. 6 is a right side elevation view thereof.
FIG. 7 is a top plan view thereof.
FIG. 8 is a bottom plan view thereof.
FIG. 9 is a partial enlarged view of an area labeled 9 in FIG. 1 comprising a head part.
FIG. 10 is a partial enlarged view of an area labeled 10 in FIG. 1 comprising a part of a ring connector; and,
FIG. 11 is a partial enlarged view of an area labeled 11 in FIG. 1 comprising a part of a side wall.
The dash-dot broken lines shown in FIGS. 1, 9, 10 and 11 are for the purpose of showing enlarged areas, and form no part of the claimed design.
The broken lines shown in the drawings are included for the purpose of illustrating portions of the skin care device that form no part of the claimed design.

1 Claim, 11 Drawing Sheets



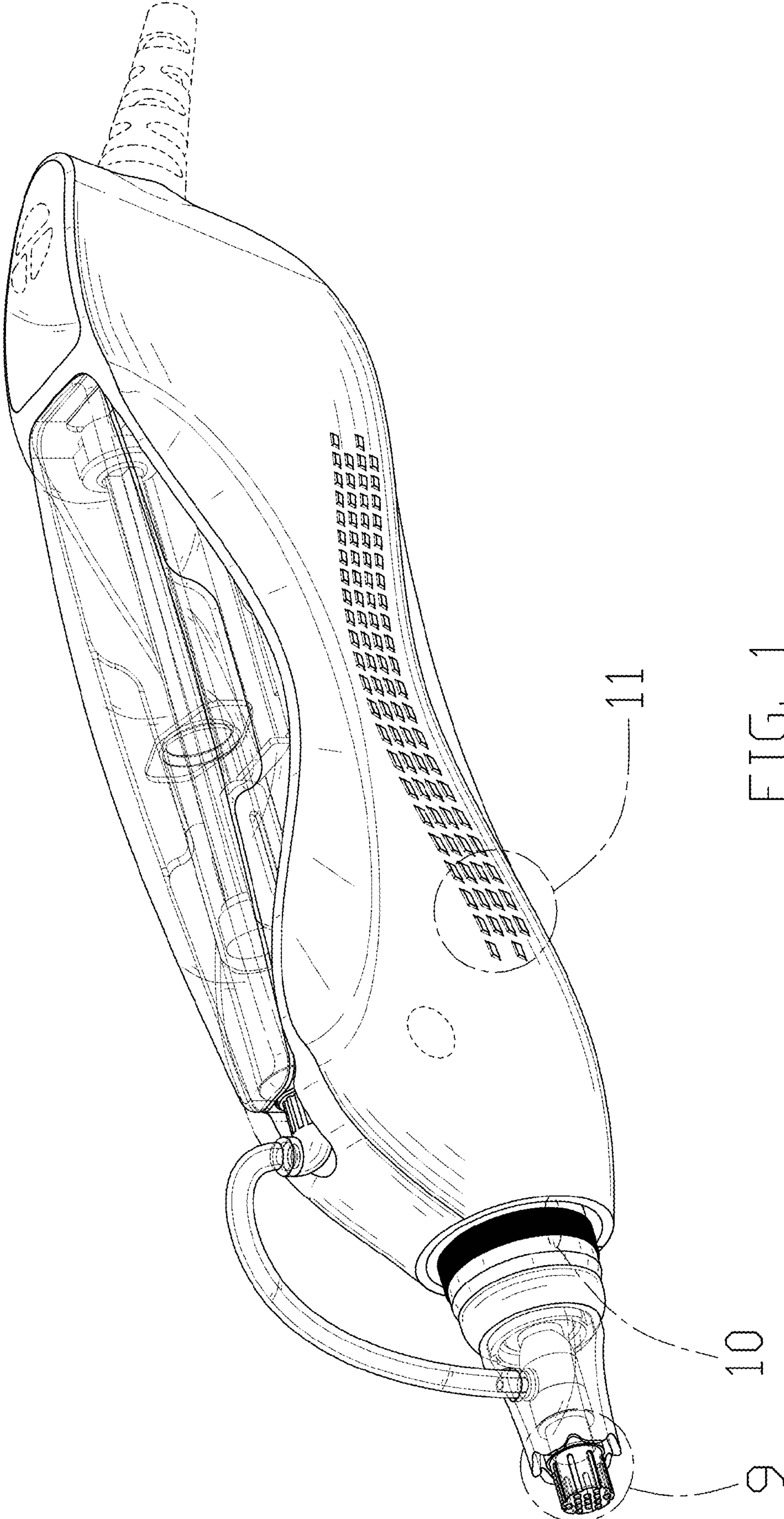


FIG. 1

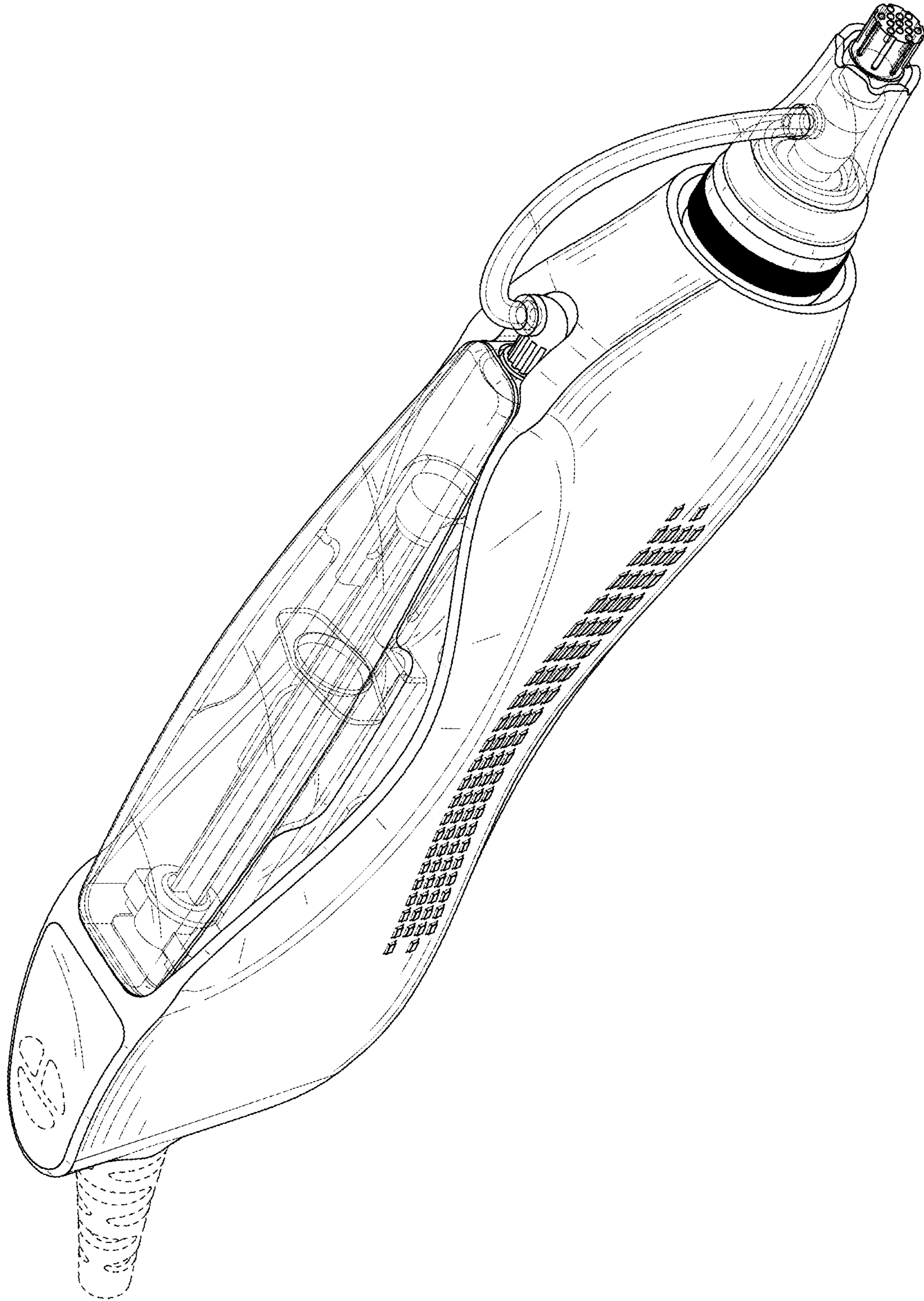


FIG. 2

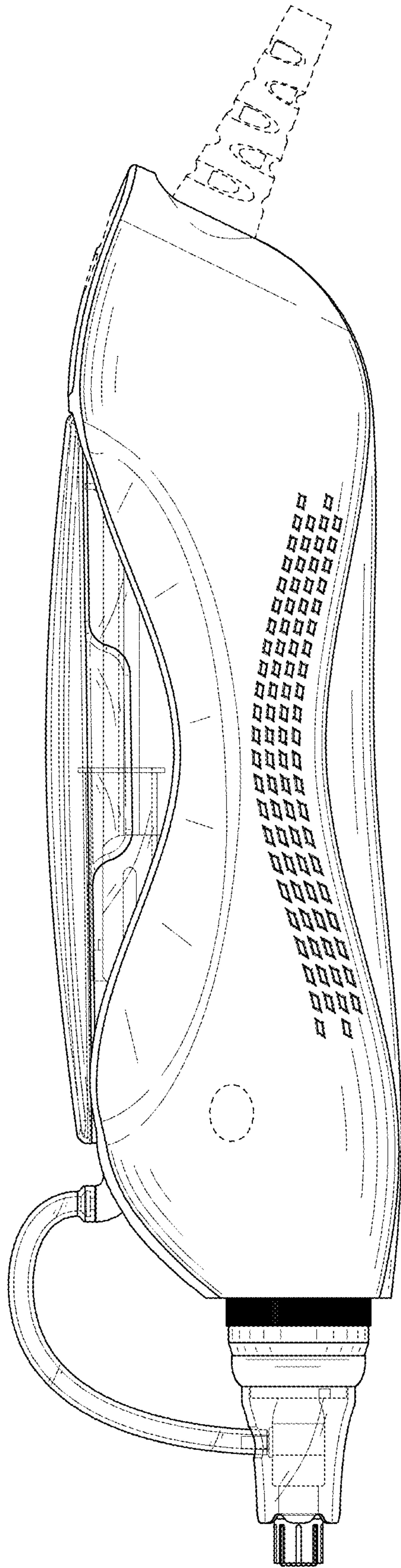


FIG. 3

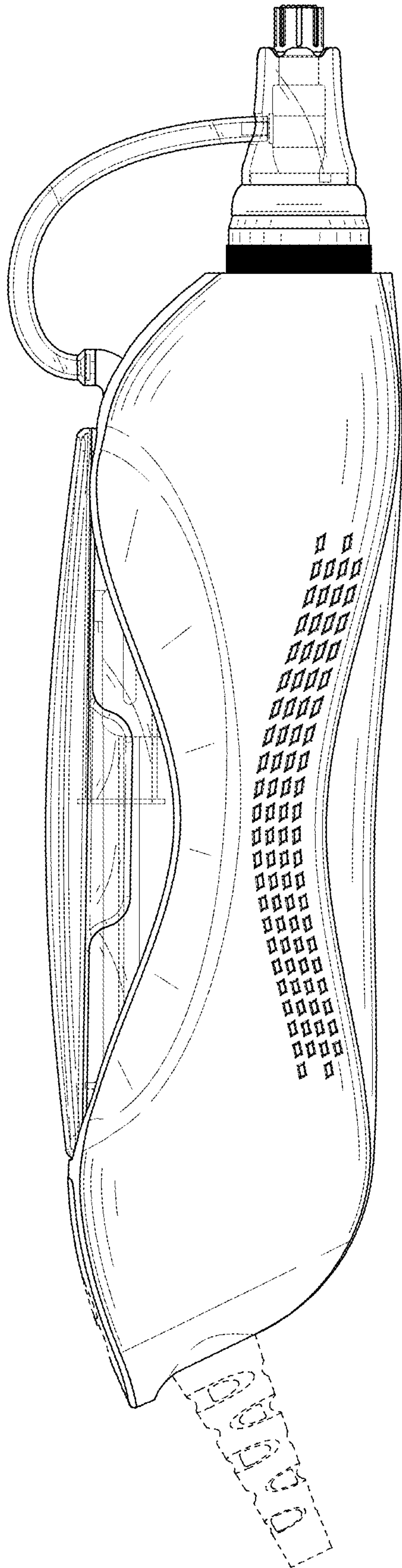


FIG. 4

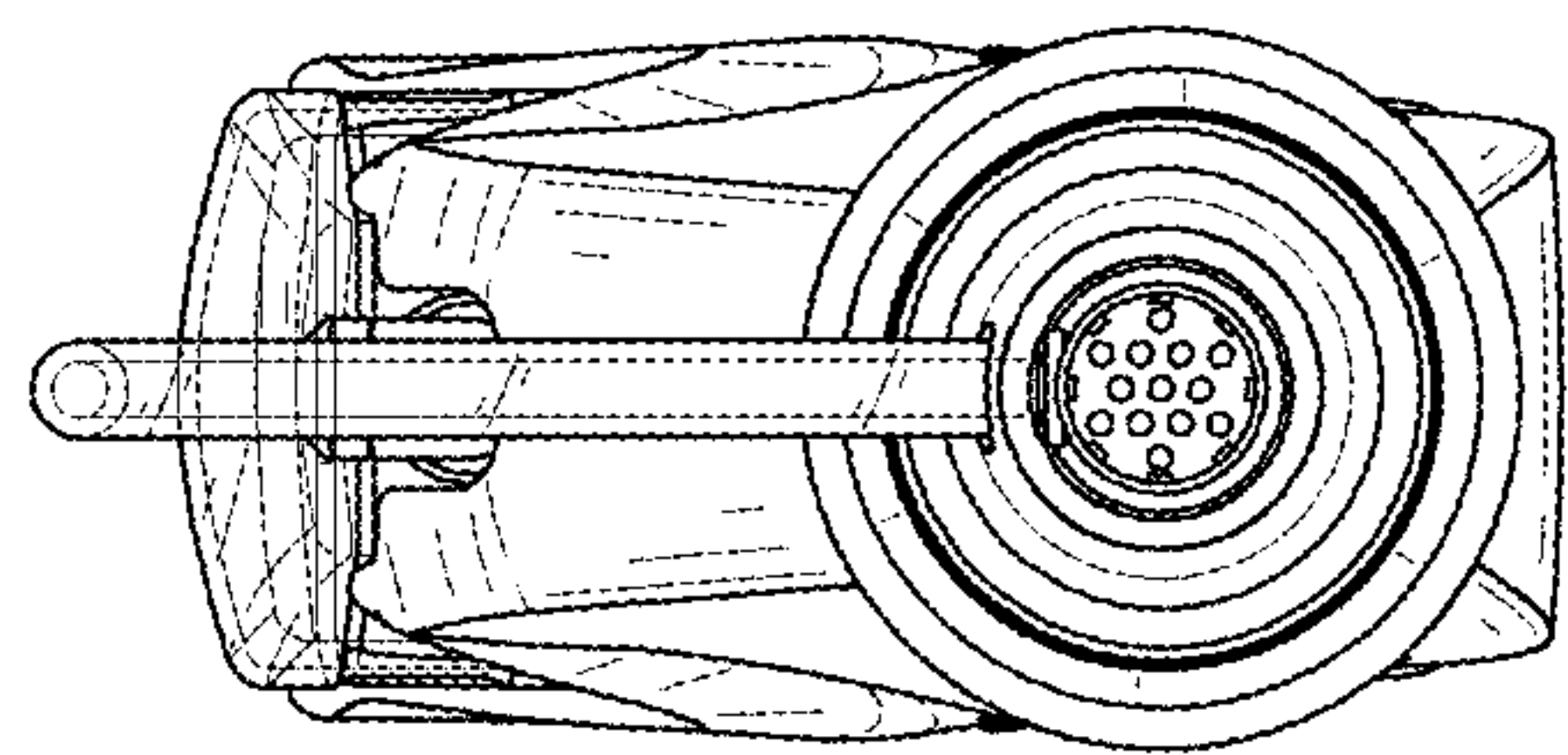


FIG. 5

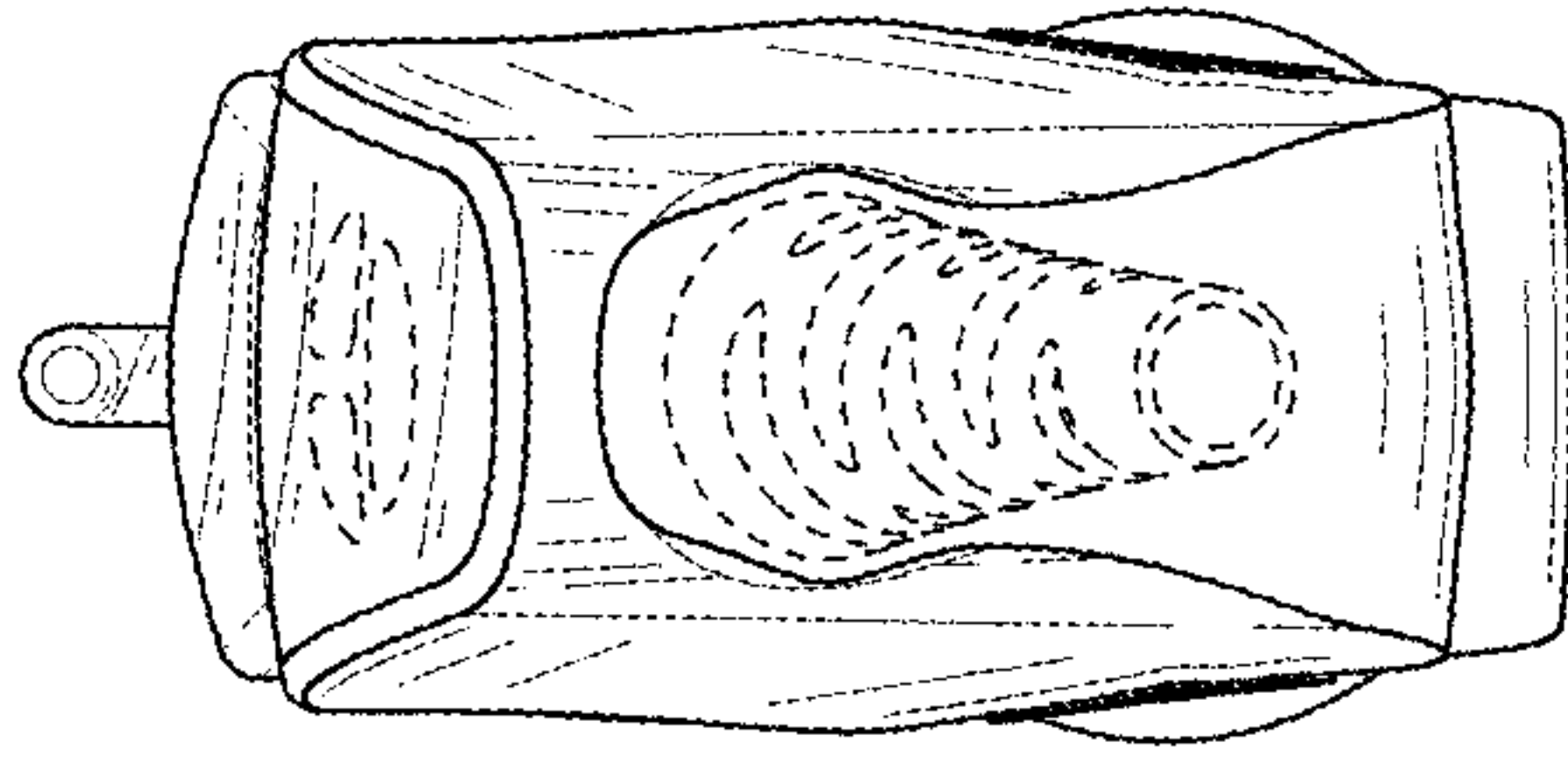


FIG. 6

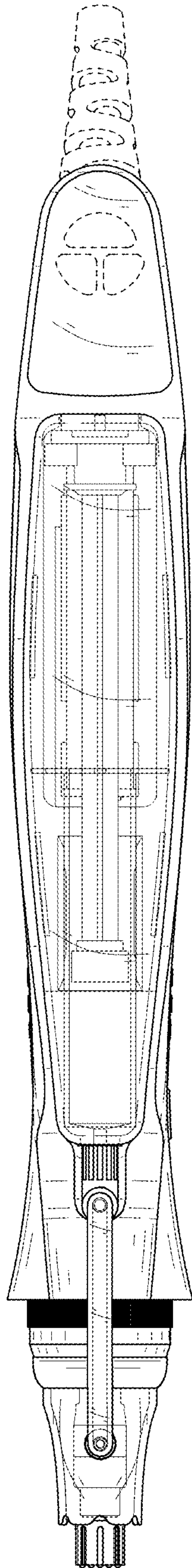


FIG. 7

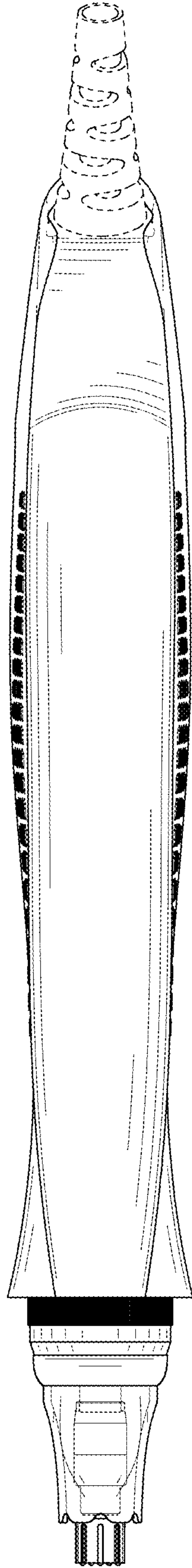


FIG. 8

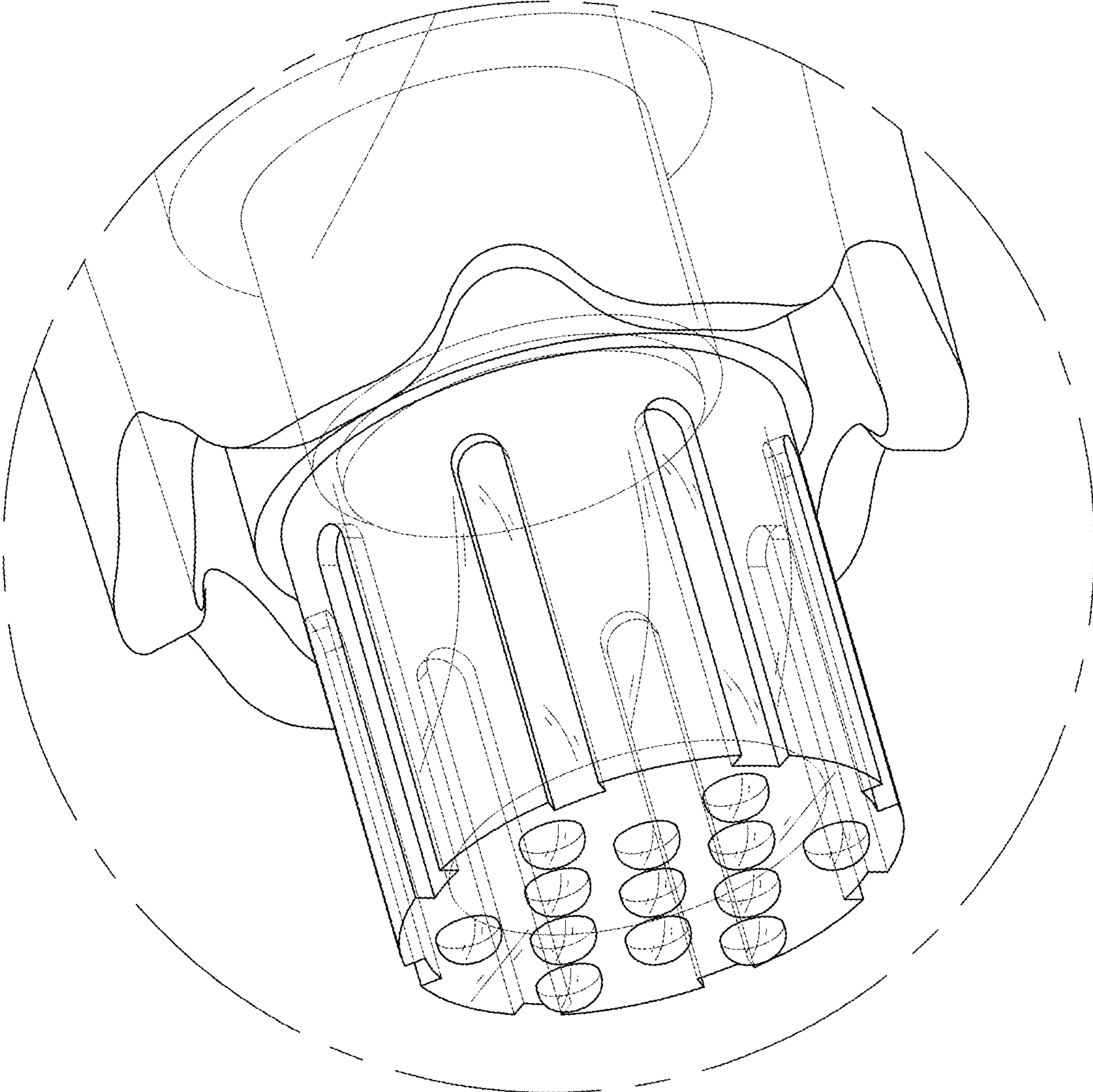


FIG. 9

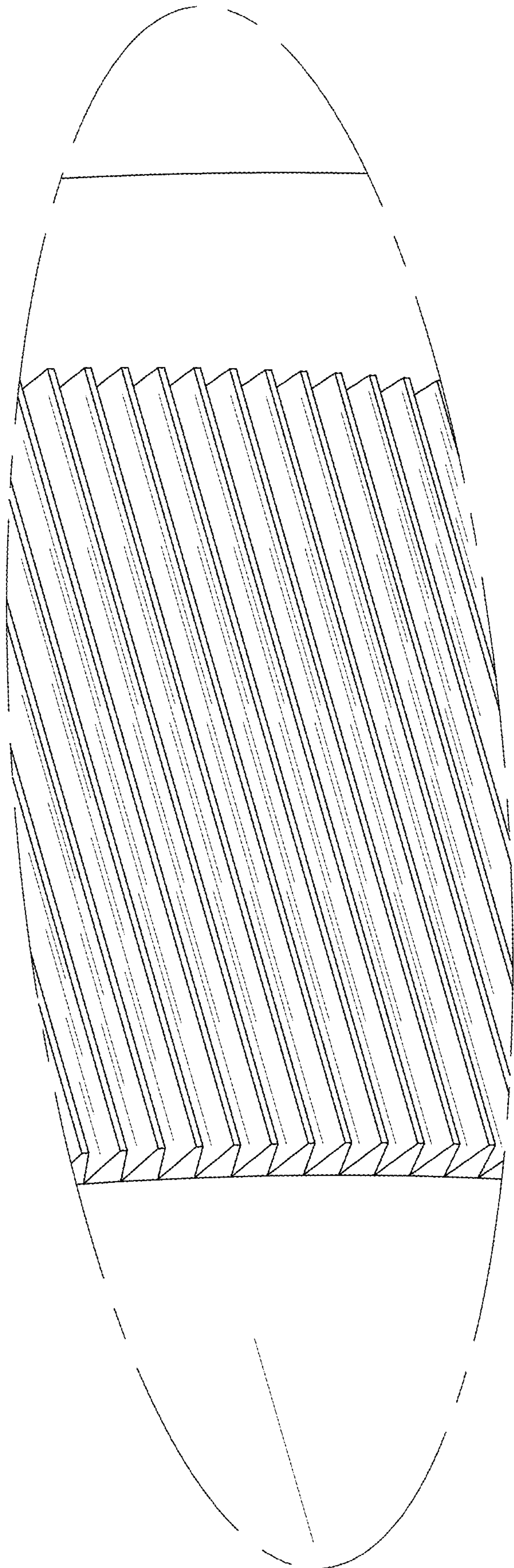


FIG. 10

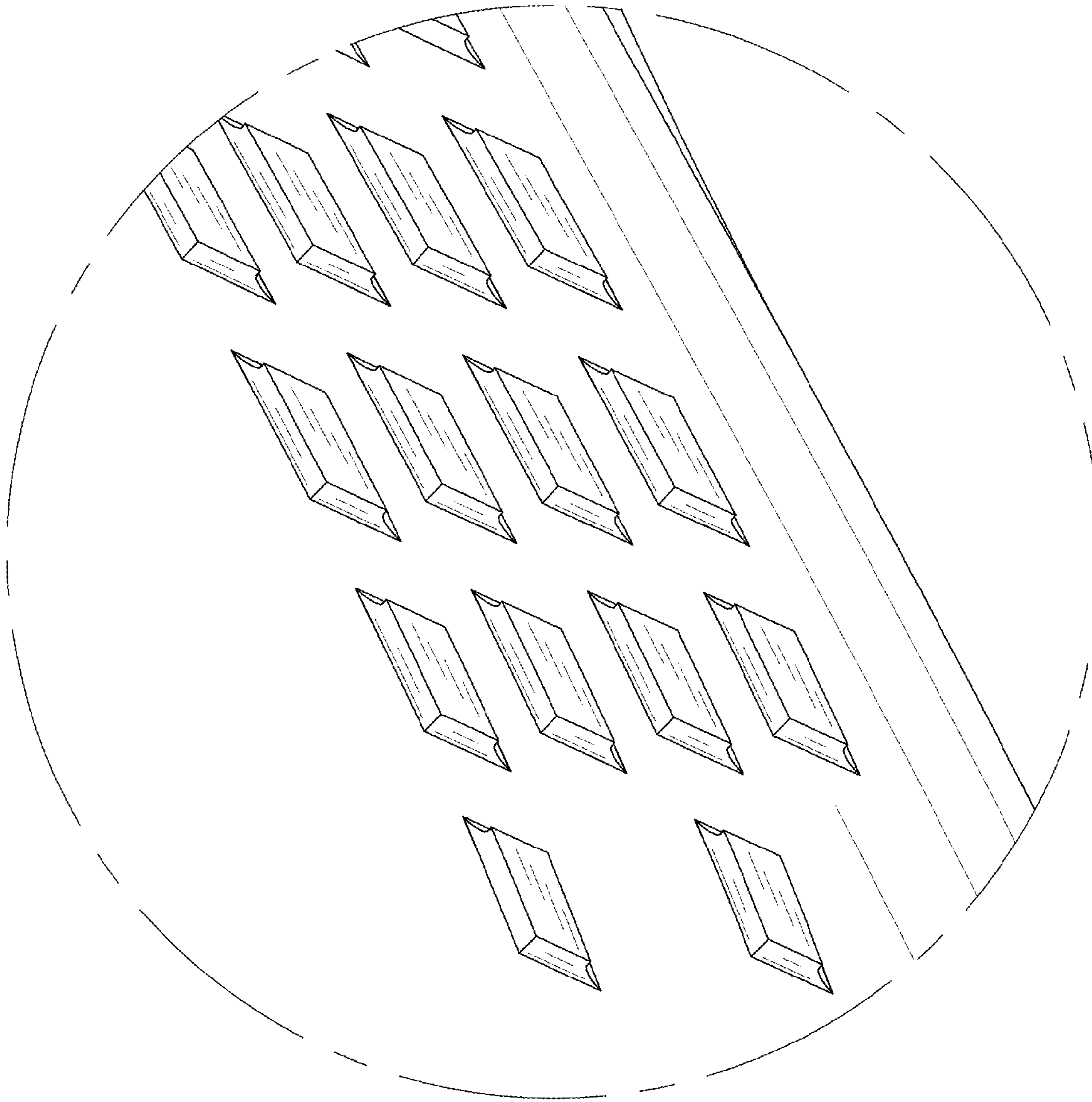


FIG. 11