



US00D989339S

(12) **United States Design Patent** (10) **Patent No.:** **US D989,339 S**
Ying (45) **Date of Patent:** **** Jun. 13, 2023**

(54) **MESSAGE GUN**
(71) Applicant: **Haiyan Ying**, Yongkang (CN)
(72) Inventor: **Haiyan Ying**, Yongkang (CN)
(**) Term: **15 Years**
(21) Appl. No.: **29/800,974**
(22) Filed: **Jul. 26, 2021**
(51) **LOC (14) Cl.** **24-01**
(52) **U.S. Cl.**
USPC **D24/215**
(58) **Field of Classification Search**
USPC D24/200, 211, 212, 213, 214, 215;
D8/14.1; D28/13
CPC A61H 23/006; A61H 23/02; A61H
2201/0165; A61H 2201/0157
See application file for complete search history.

D962,461 S * 8/2022 Zhang D24/215
D964,584 S * 9/2022 Wang D24/215
D965,164 S * 9/2022 Luo D24/215

OTHER PUBLICATIONS

Youtube, "Cotsoco M782 Deep Tissue Massage Gun", Published Date: Oct. 2, 2022. <https://www.youtube.com/watch?v=nXjnZUu1z7M> (Year: 2022).*
Amazon, "Cotsoco Massage Gun Deep Tissue", Date First Available: Nov. 3, 2021. https://www.amazon.com/Percussion-Massager-Athletes-Cordless-Rechargeable/dp/B09KXS8M2T/ref=cm_cr_arp_d_product_top?ie=UTF8&th=1 (Year: 2021).*
Cotsoco, "Cotsoco Percussion Massage Gun", Access Date: Jan. 16, 2023. <https://cotsoco.us/products/cotsoco-percussion-massage-gun-cotsoco-deep-tissue-percussion-muscle-massager-gun-for-athletes-pain-relief-cordless-rechargeable-portable-fascia-gun-for-neck-back-body> (Year: 2023).*

* cited by examiner

Primary Examiner — Michael A Maharajh
(74) *Attorney, Agent, or Firm* — Rumit Ranjit Kanakia

(57) **CLAIM**

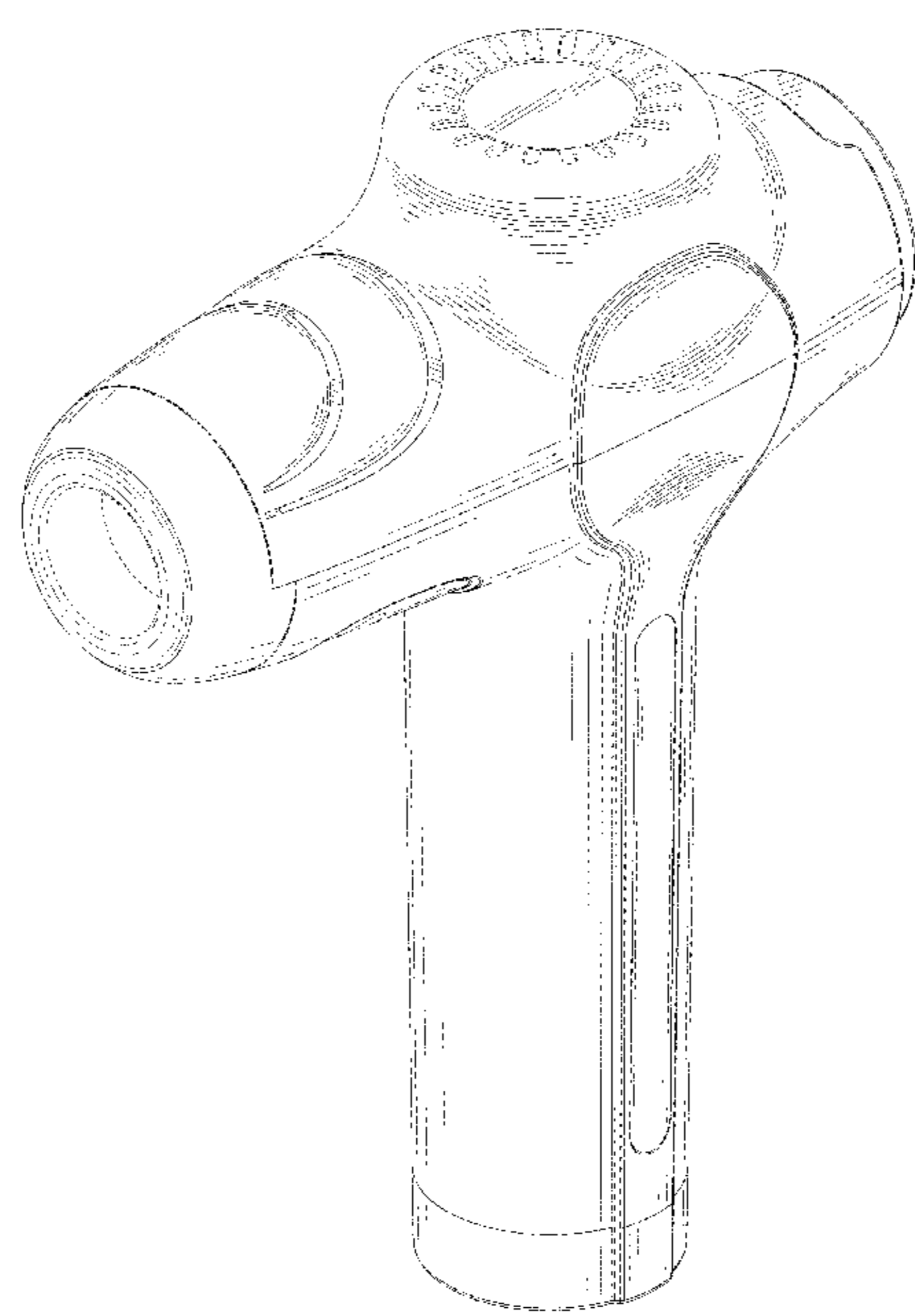
I claim the ornamental design for a massage gun, as shown and described.

DESCRIPTION

FIG. 1 is a Perspective view of a massage gun showing my new design;
FIG. 2 is a Back and Bottom Perspective view thereof;
FIG. 3 is a Front view thereof;
FIG. 4 is a Back view thereof;
FIG. 5 is a Left-side view thereof;
FIG. 6 is a Right-side view thereof;
FIG. 7 is, a Top view thereof; and,
FIG. 8 is a Bottom view thereof.
The broken lines in the drawings depict portions of the massage gun that form no part of the claimed design.

1 Claim, 8 Drawing Sheets

(56) **References Cited**
U.S. PATENT DOCUMENTS
D895,135 S * 9/2020 Xu D24/215
D895,831 S * 9/2020 Chen D24/215
D907,229 S * 1/2021 Zhang D24/215
D907,230 S * 1/2021 Zhang D24/215
D908,908 S * 1/2021 Xu D24/215
D913,517 S * 3/2021 Yu D24/215
D917,060 S * 4/2021 Hu D24/215
D933,845 S * 10/2021 Zheng D24/215
D934,440 S * 10/2021 Zheng D24/214
D935,636 S * 11/2021 Luo D24/215
D935,637 S * 11/2021 Li D24/215
D939,724 S * 12/2021 Hu D24/215
D940,892 S * 1/2022 Shen D24/215
D945,007 S * 3/2022 Liu D24/215
D950,087 S * 4/2022 Shu D24/215
D958,392 S * 7/2022 Meng D24/215
D961,108 S * 8/2022 Jin D24/215



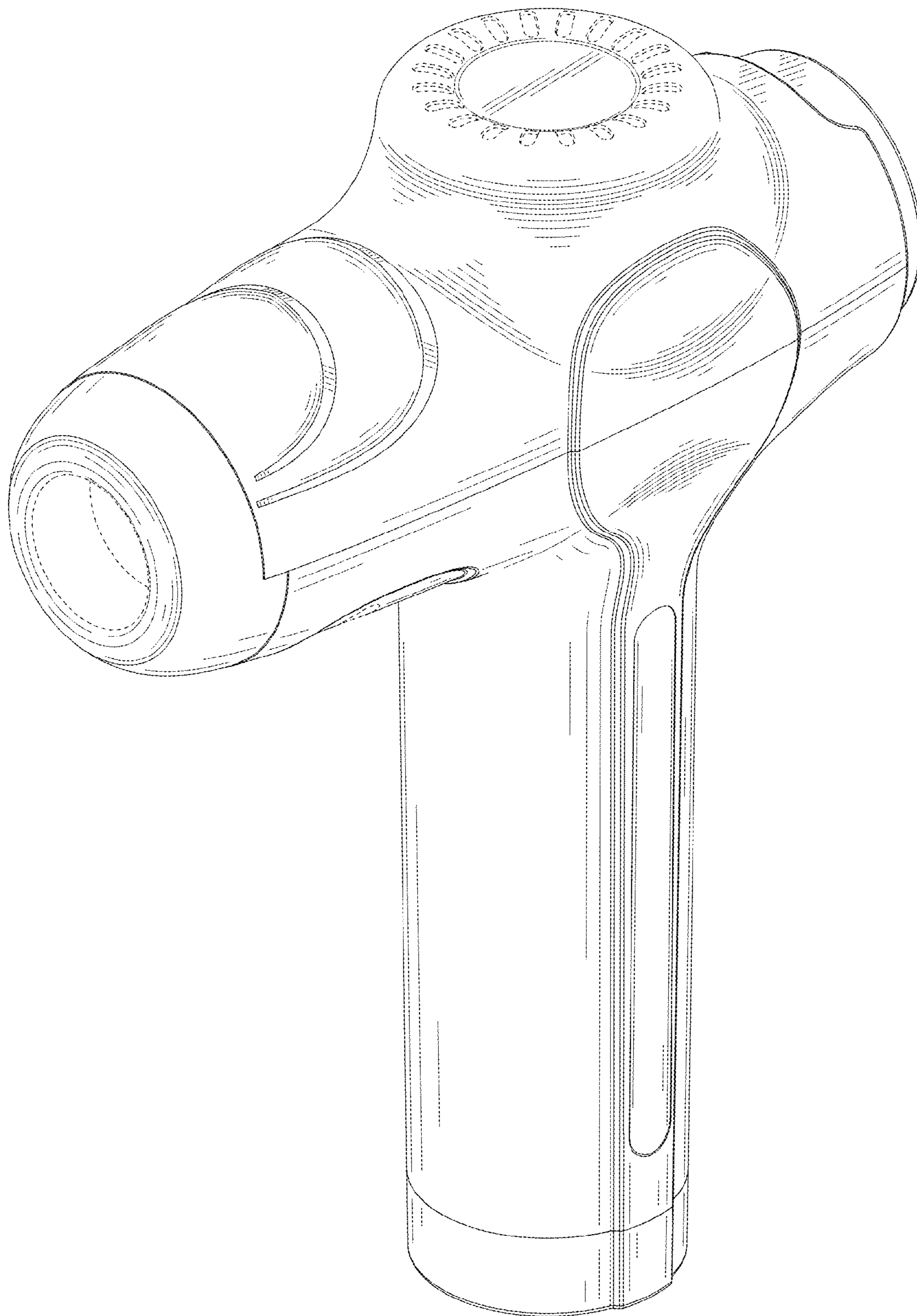


FIG. 1

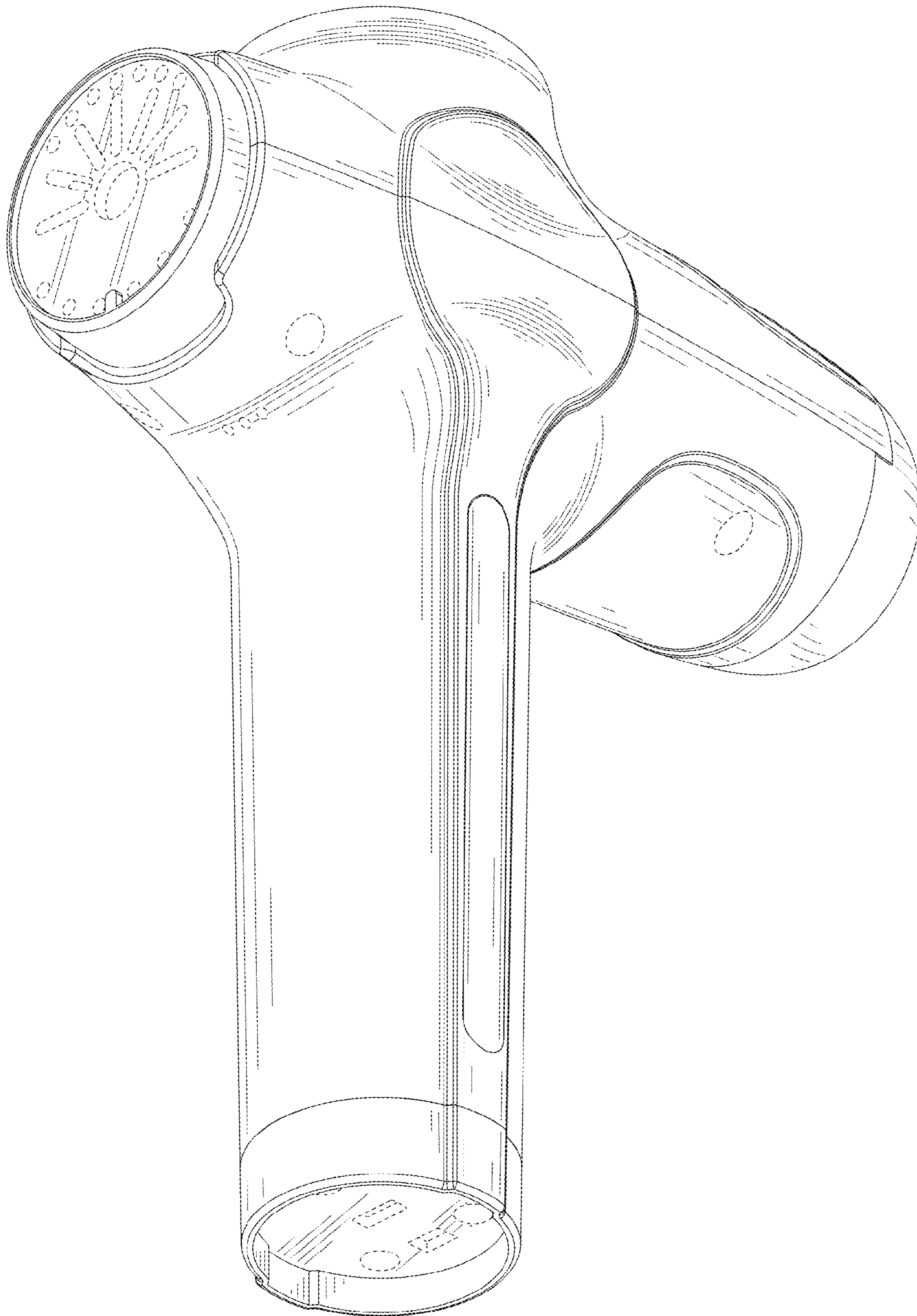


FIG. 2

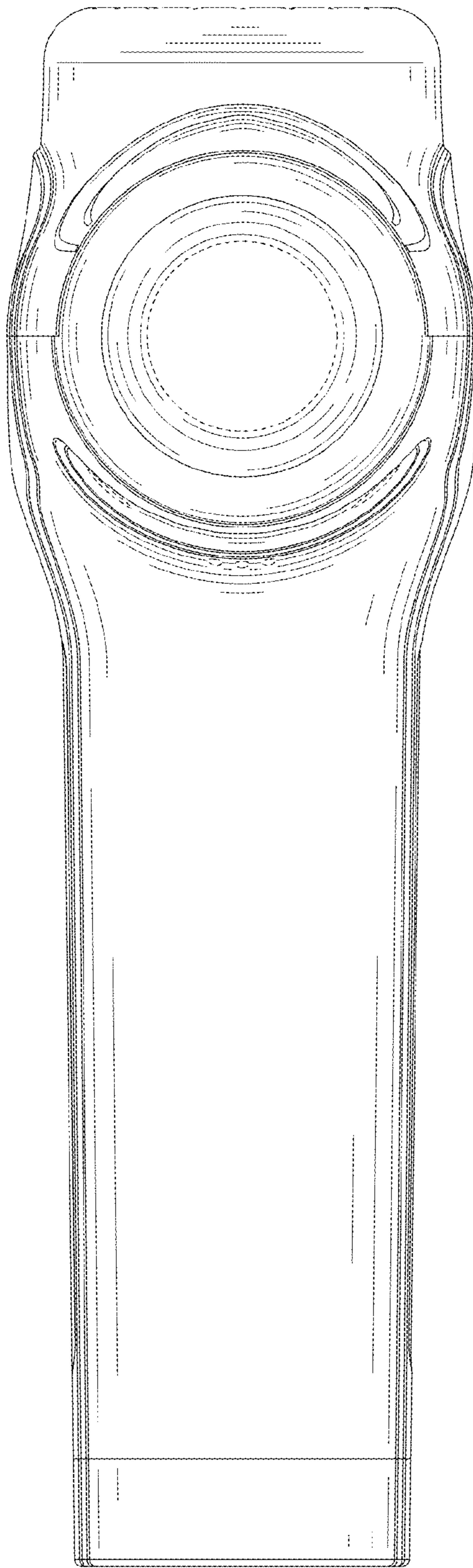


FIG. 3

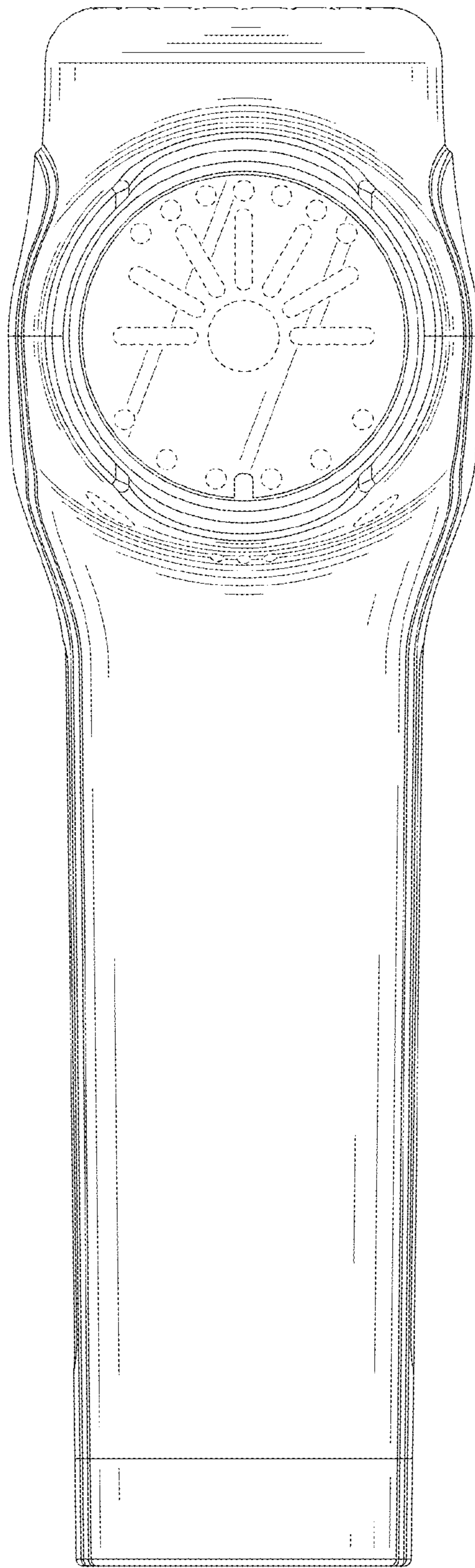


FIG. 4

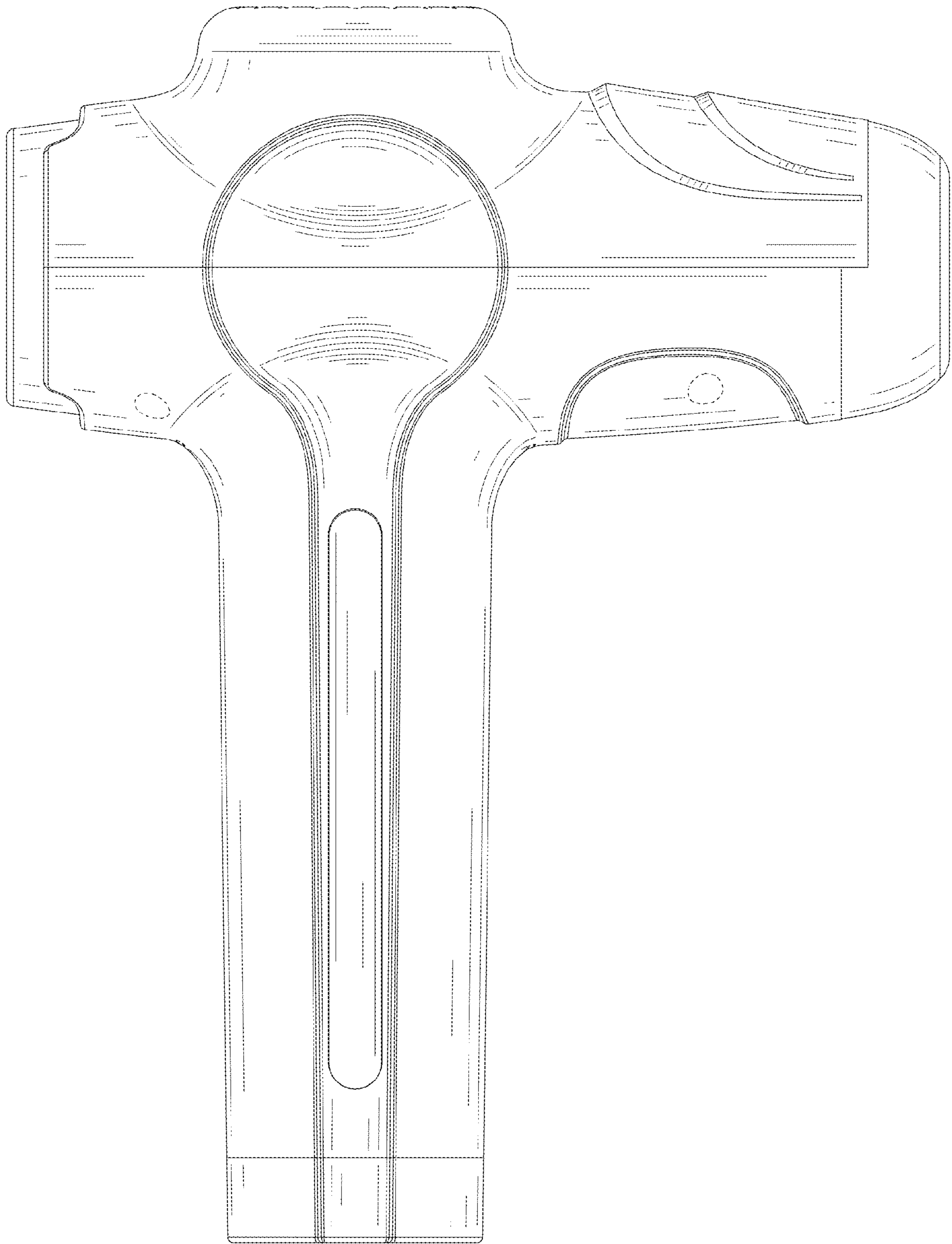


FIG. 5

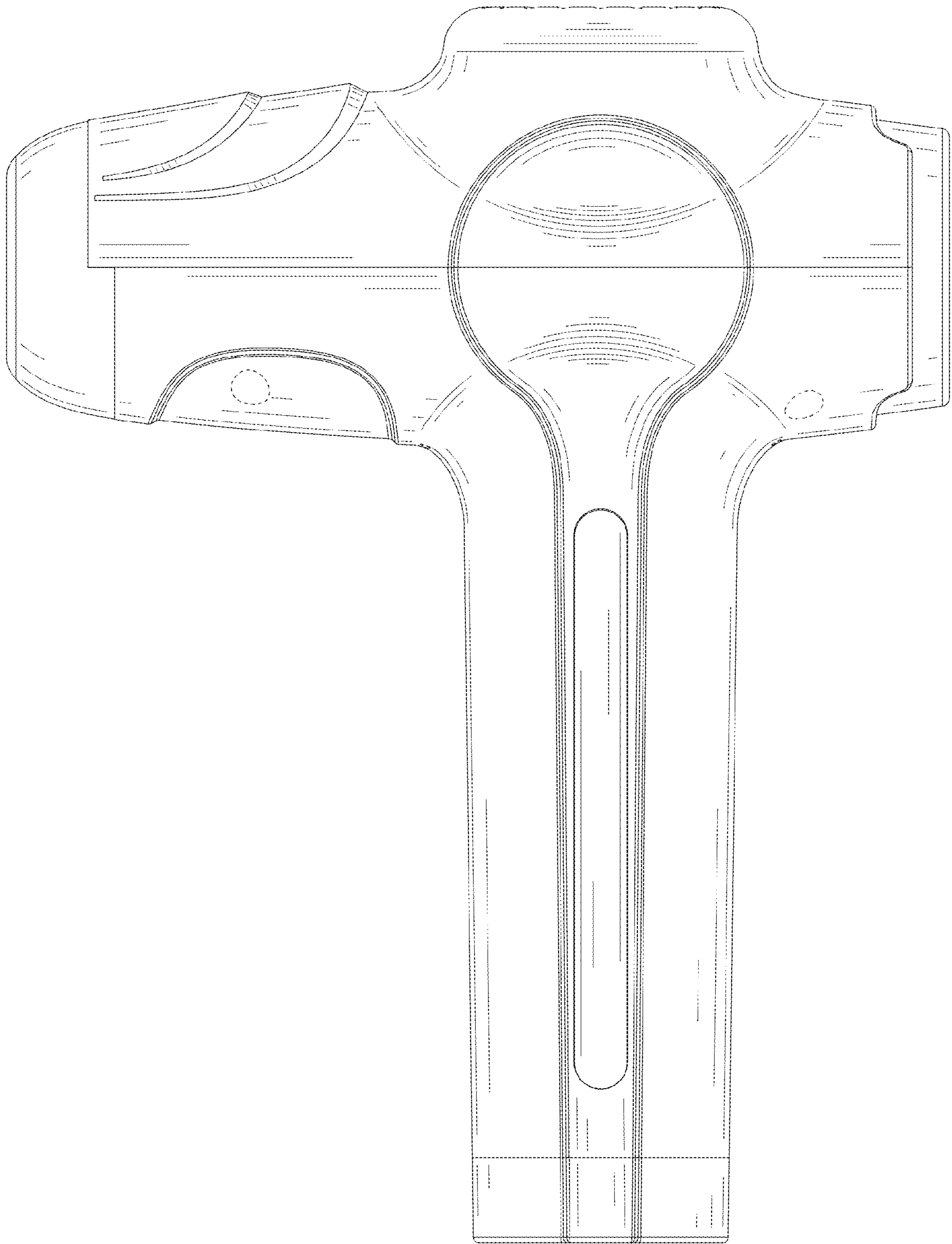


FIG. 6

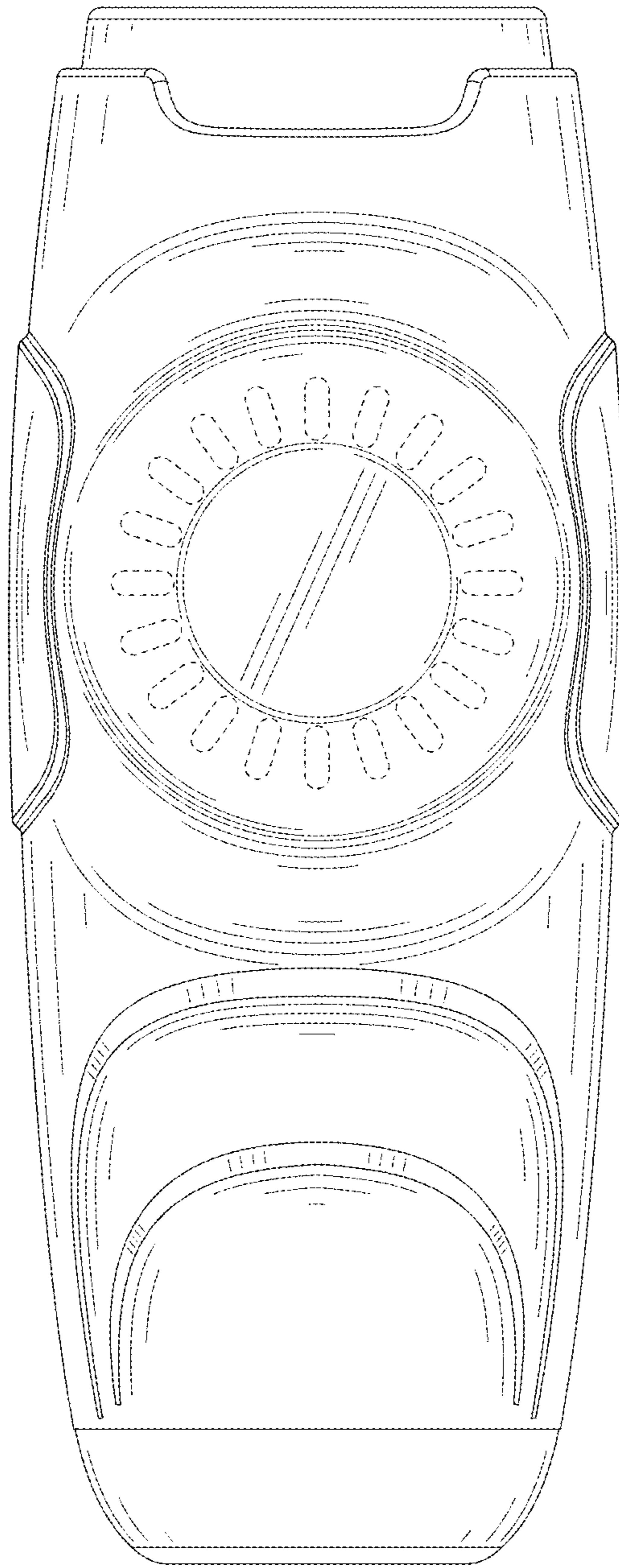


FIG. 7

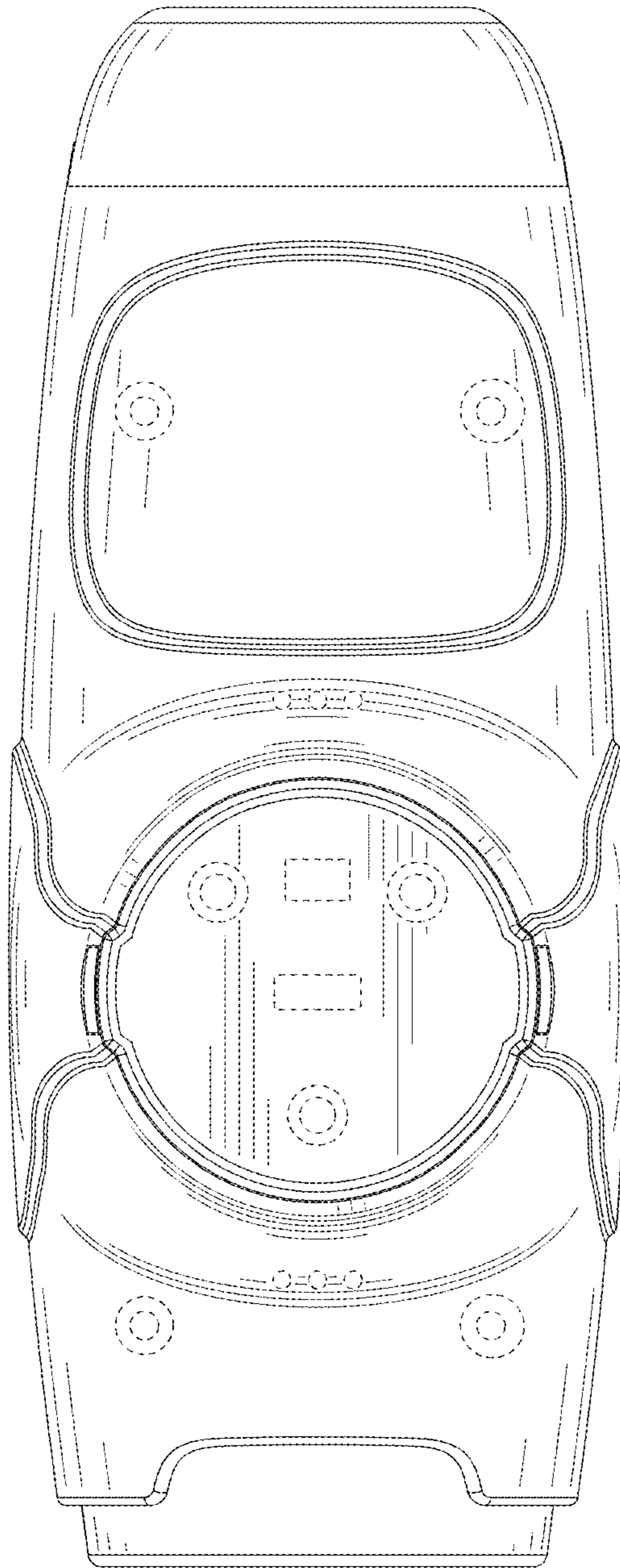


FIG. 8