



US00D989337S

(12) **United States Design Patent**
Liang

(10) **Patent No.:** **US D989,337 S**

(45) **Date of Patent:** **** Jun. 13, 2023**

(54) **MESSAGE GUN**

(71) Applicant: **Shenzhen Supervigour Technology Co., Ltd.**, Shenzhen (CN)

(72) Inventor: **Hao Liang**, Shenzhen (CN)

(73) Assignee: **Shenzhen Supervigour Technology Co., Ltd.**, Shenzhen (CN)

(**) Term: **15 Years**

(21) Appl. No.: **29/798,419**

(22) Filed: **Jul. 8, 2021**

(51) **LOC (14) Cl.** **28-03**

(52) **U.S. Cl.**
USPC **D24/215**

(58) **Field of Classification Search**
USPC D24/215, 200, 211, 212, 213, 214, 133,
D24/107, 231, 184, 209, 206; D8/14.1,
D8/61; D28/12, 13
CPC A61H 7/00; A61H 7/003; A61H 7/004;
A61H 9/00; A61H 15/00; A61H
2015/0007; A61H 2015/0042; A61H
2015/0071; A61H 15/0078; A61H
15/0085; A61H 15/0092; A61H 23/00;
A61H 23/02

See application file for complete search history.

(56) **References Cited**

U.S. PATENT DOCUMENTS

D653,393 S *	1/2012	Oh	D28/13
D730,576 S *	5/2015	Gammack	D28/13
D884,205 S *	5/2020	Zhuang	D24/215
D898,933 S *	10/2020	Xu	D24/215
D907,229 S *	1/2021	Zhang	D24/215
D917,060 S *	4/2021	Hu	D24/215
D921,917 S *	6/2021	Xu	D24/215
D923,187 S *	6/2021	Ma	D24/211
D924,422 S *	7/2021	Huang	D24/215

D927,778 S *	8/2021	Zou	D28/13
D930,899 S *	9/2021	Zhang	D28/13
2021/0121360 A1 *	4/2021	Xie	A61H 23/00
2021/0196563 A1 *	7/2021	Sheng	A61H 23/02

OTHER PUBLICATIONS

HoMedics—Massage Gun. Date: Jun. 24, 2020. [online]. [Site visited Dec. 19, 2022]. Available from Internet URL: <https://www.amazon.co.uk/dp/B08BSLBCFL/?th=1> (Year: 2020).*

Witt—Super Hit Master. Date: Jan. 14, 2021. [online]. [Site visited Dec. 19, 2022]. Available from Internet URL: <https://www.amazon.co.uk/do/B08T1MPZZ2/> (Year: 2021).*

(Continued)

Primary Examiner — Eliza Z Harvey

Assistant Examiner — Landon Thomas Cassell

(74) *Attorney, Agent, or Firm* — True Shepherd LLC;
Andrew C. Cheng

(57) **CLAIM**

The ornamental design for a massage gun, as shown and described.

DESCRIPTION

FIG. 1 is a perspective view of a massage gun showing my new design;

FIG. 2 is another perspective view thereof;

FIG. 3 is a front view thereof;

FIG. 4 is a rear view thereof;

FIG. 5 is a left side view thereof;

FIG. 6 is a right side view thereof;

FIG. 7 is a top plan view thereof;

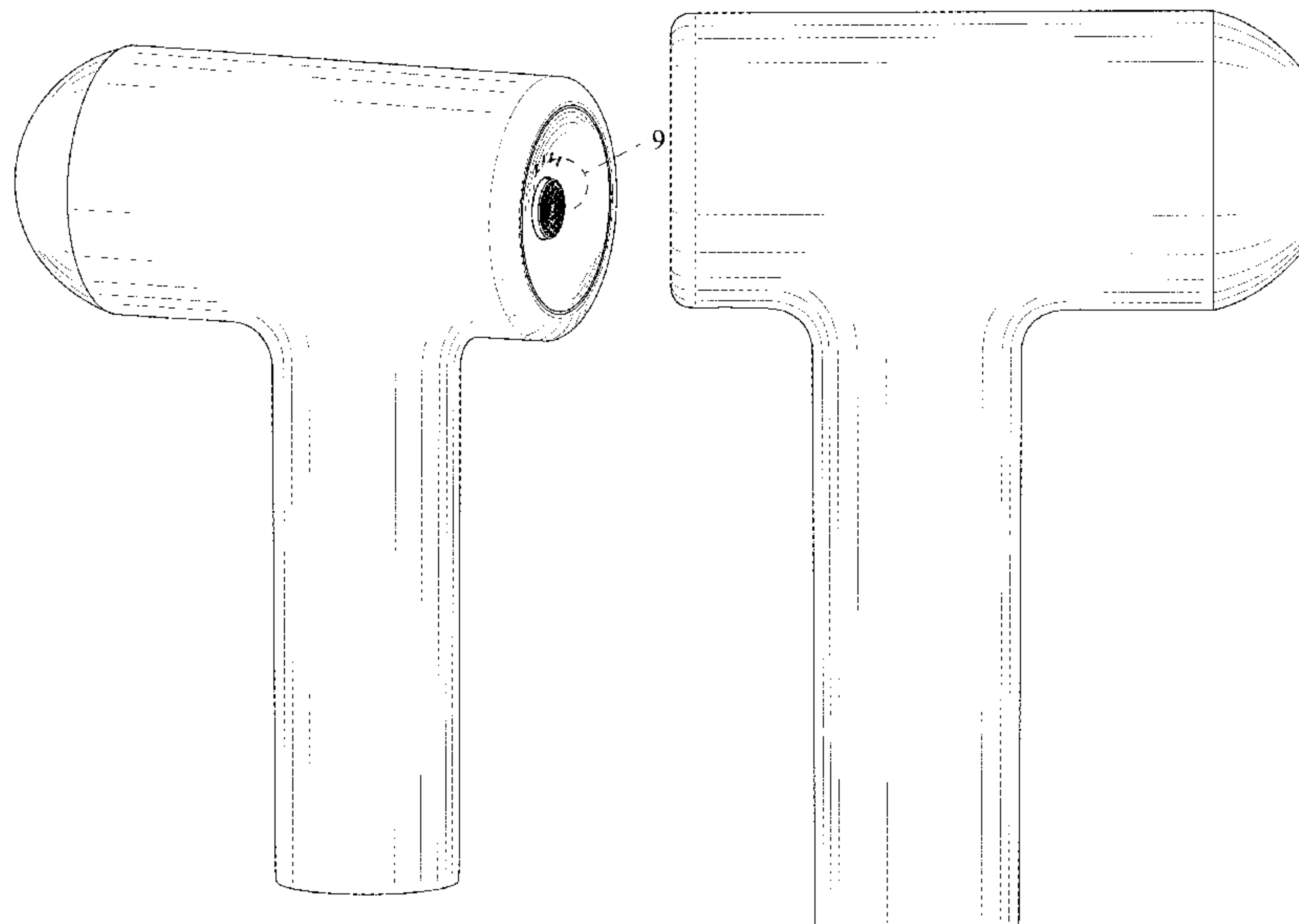
FIG. 8 is a bottom plan view thereof; and,

FIG. 9 is an enlarged view of portion 9 shown in FIG. 1.

The broken lines depict portions of the massage gun and form no part of the claimed design.

The broken lines in FIG. 1 and FIG. 9 depict boundaries of the enlarged area of the drawing and form no part of the claimed design.

1 Claim, 9 Drawing Sheets



(56)

References Cited

OTHER PUBLICATIONS

Massagers. (Design—© Questel) orbit.com. [Online PDF compilation of references] 26 pgs. Print Dates Range May 5, 2020-May 11, 2021 [Retrieved Dec. 19, 2022] <https://www.orbit.com/export/UCZAH96B/pdf4/586f2e74-5a2d-4958-aba8-f15992326673-230536.pdf> (Year: 2022).*

* cited by examiner

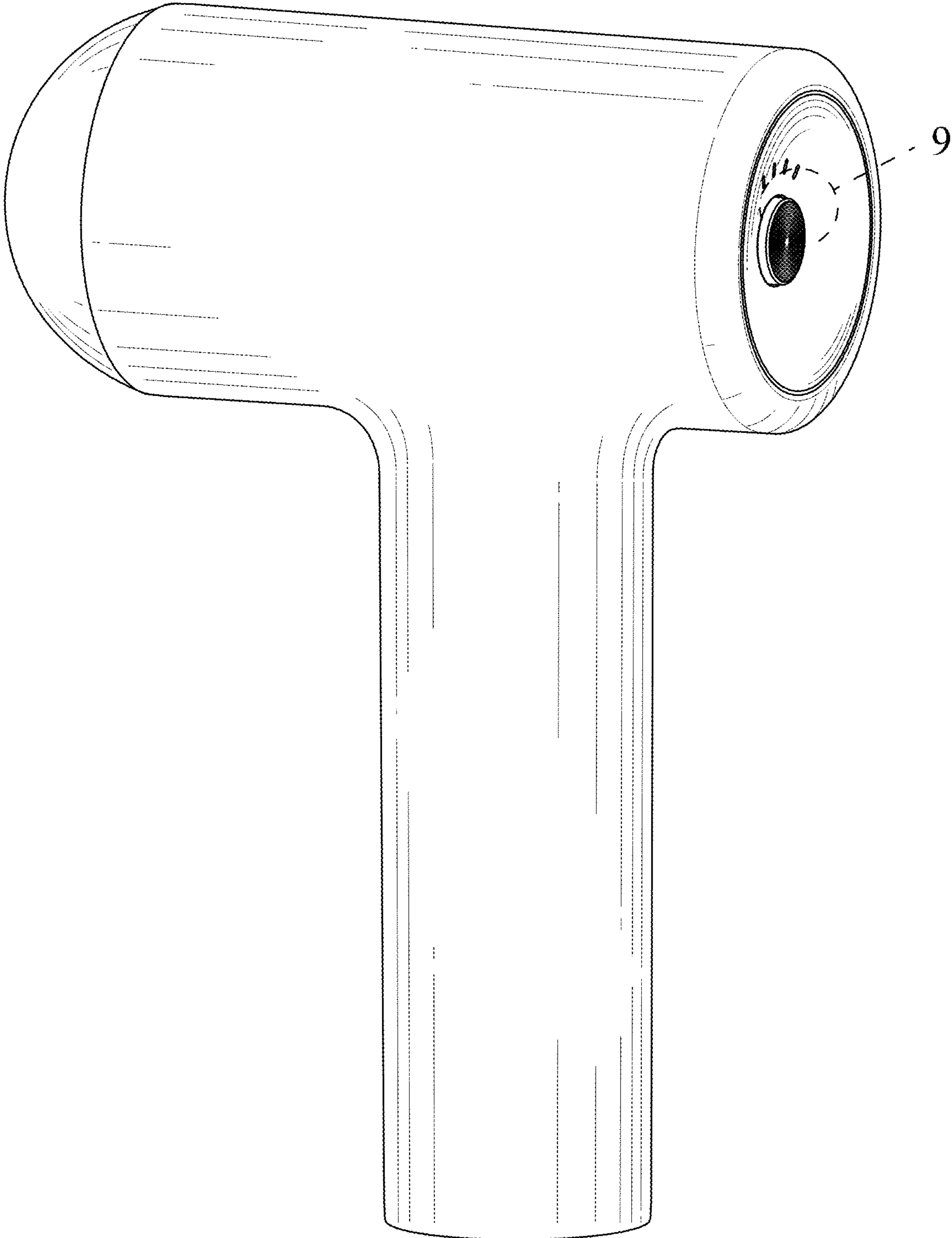


FIG. 1

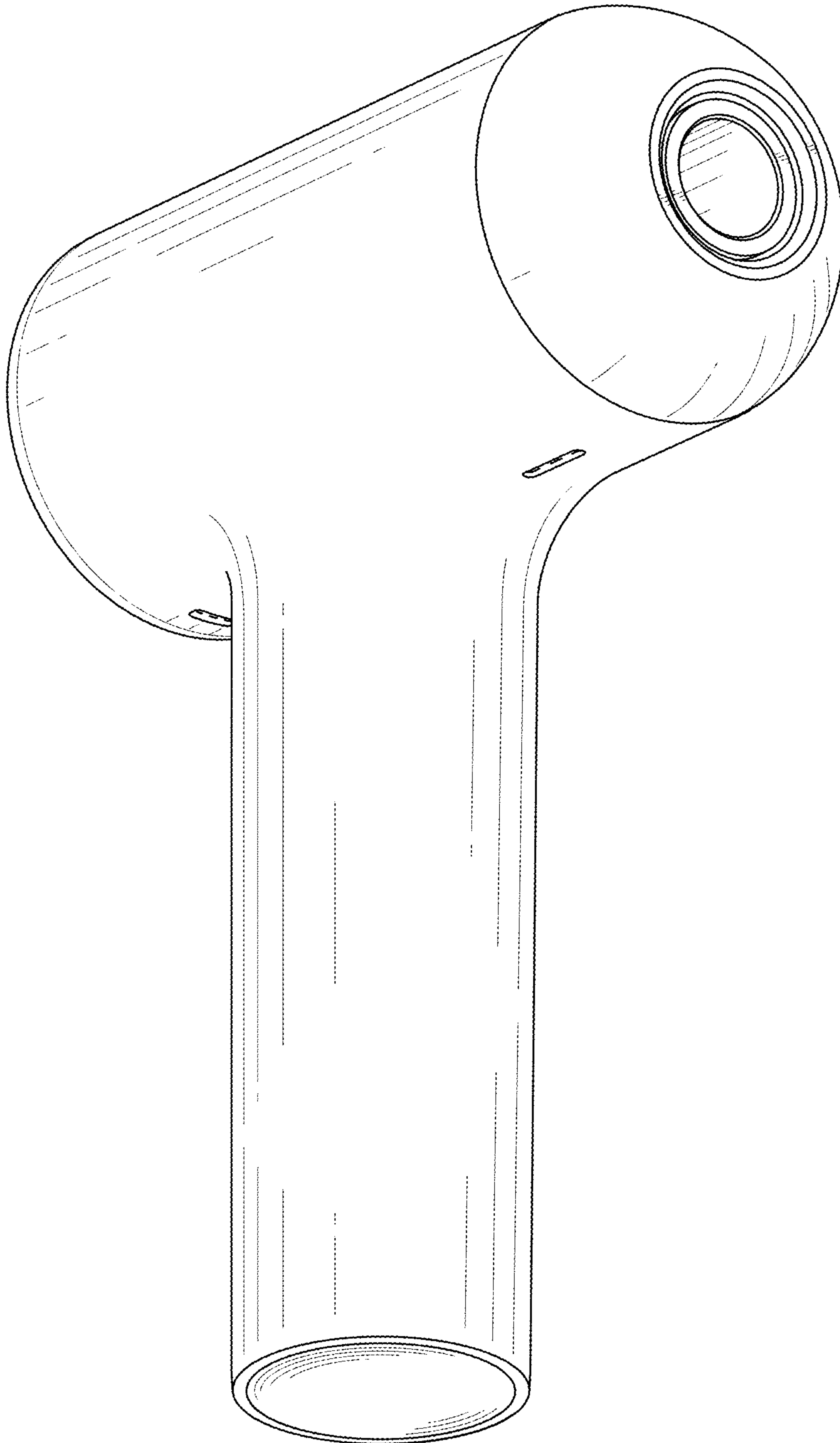


FIG. 2

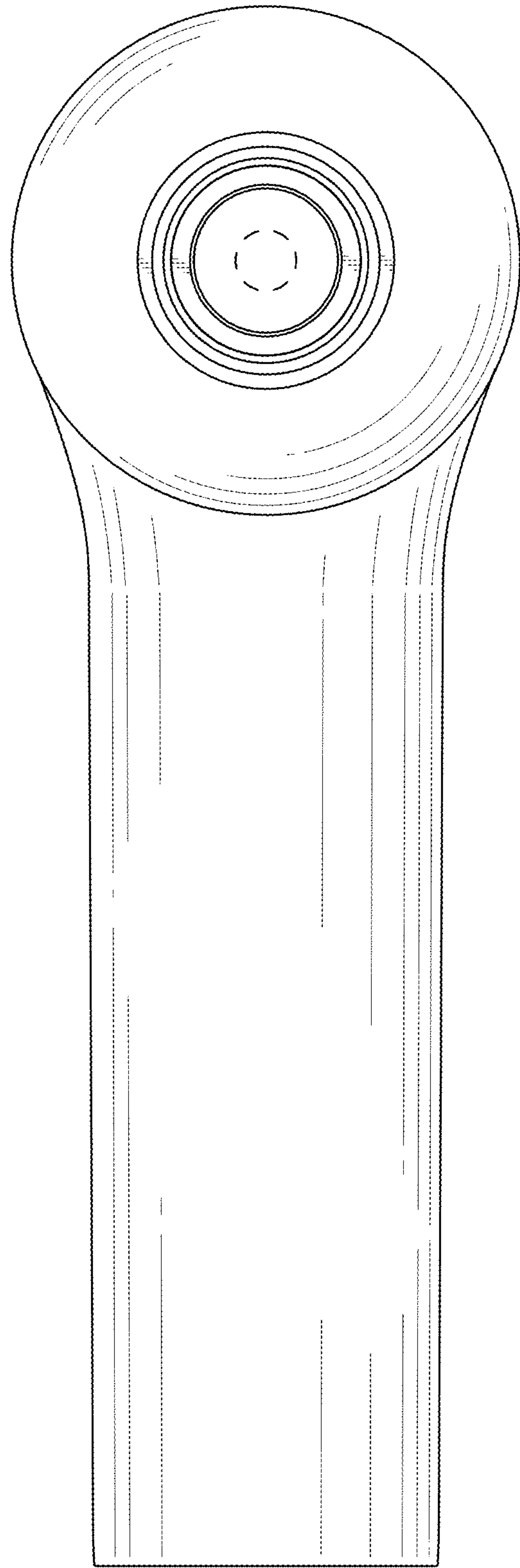


FIG. 3

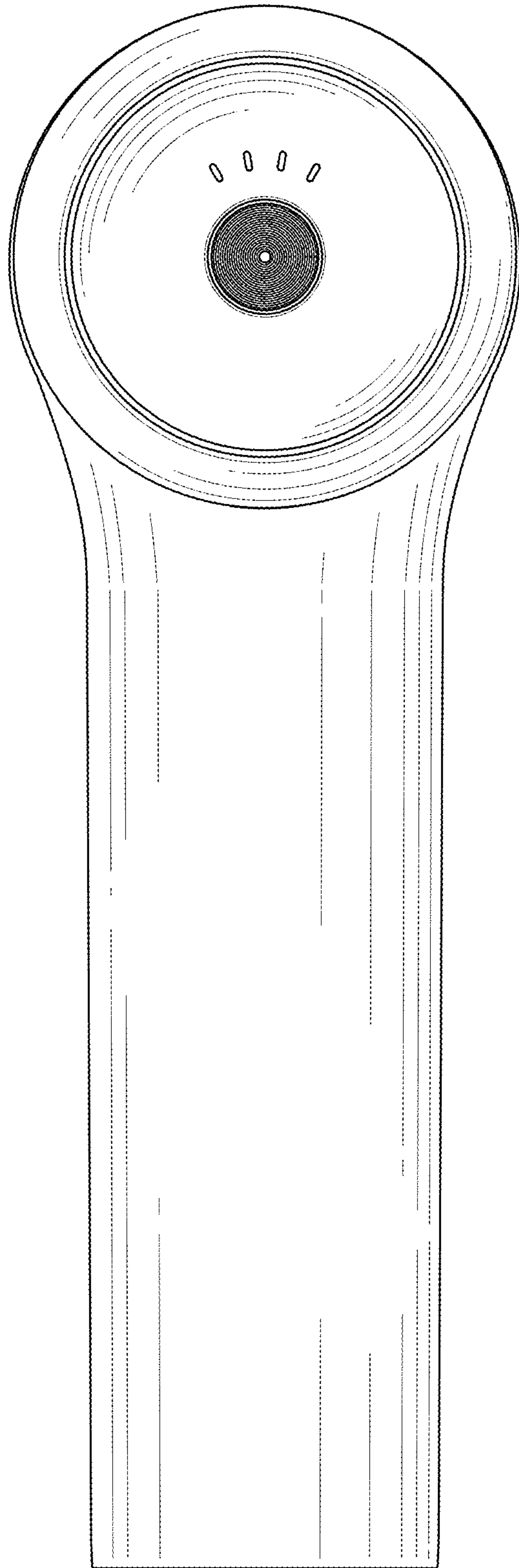


FIG. 4

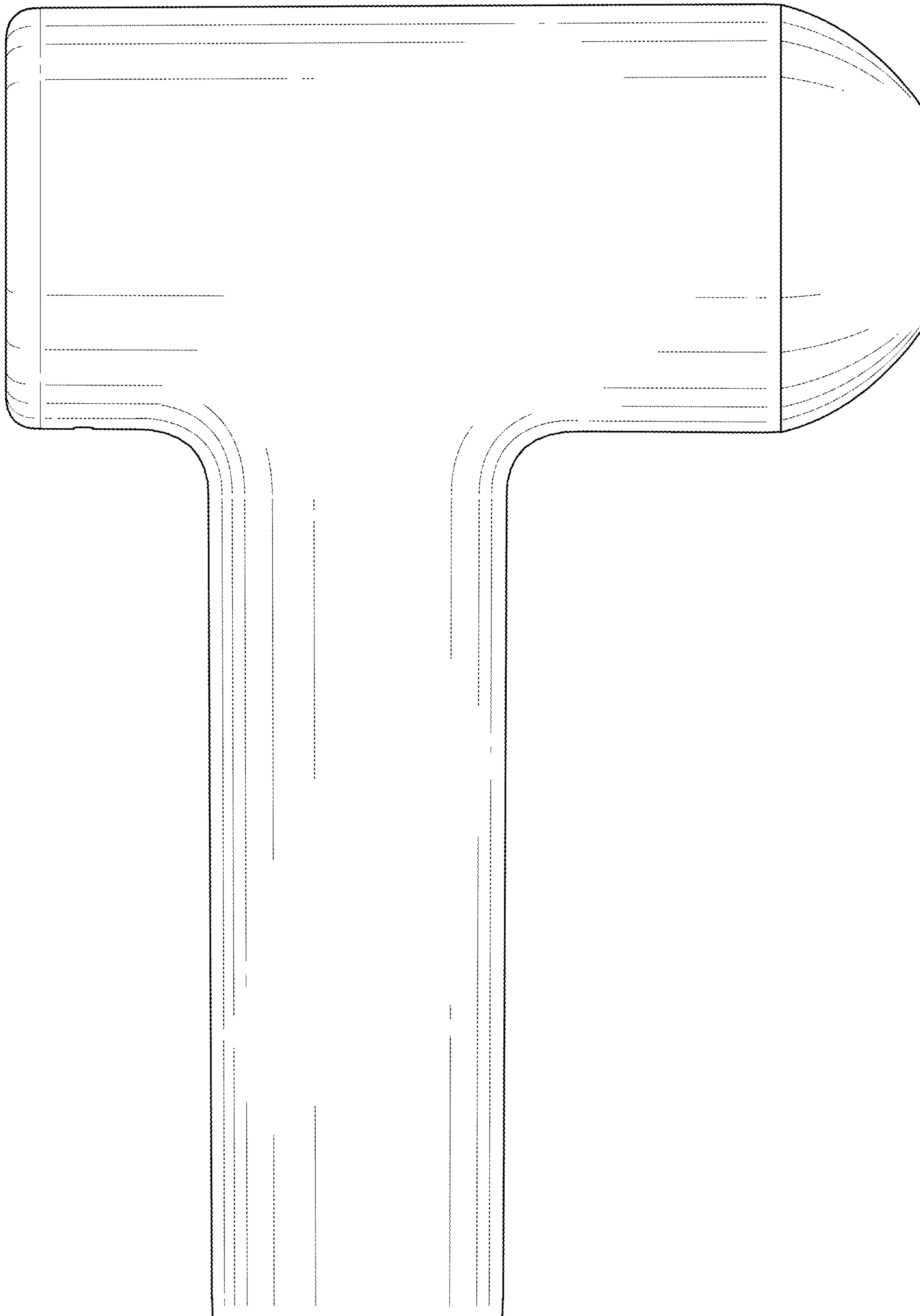


FIG. 5

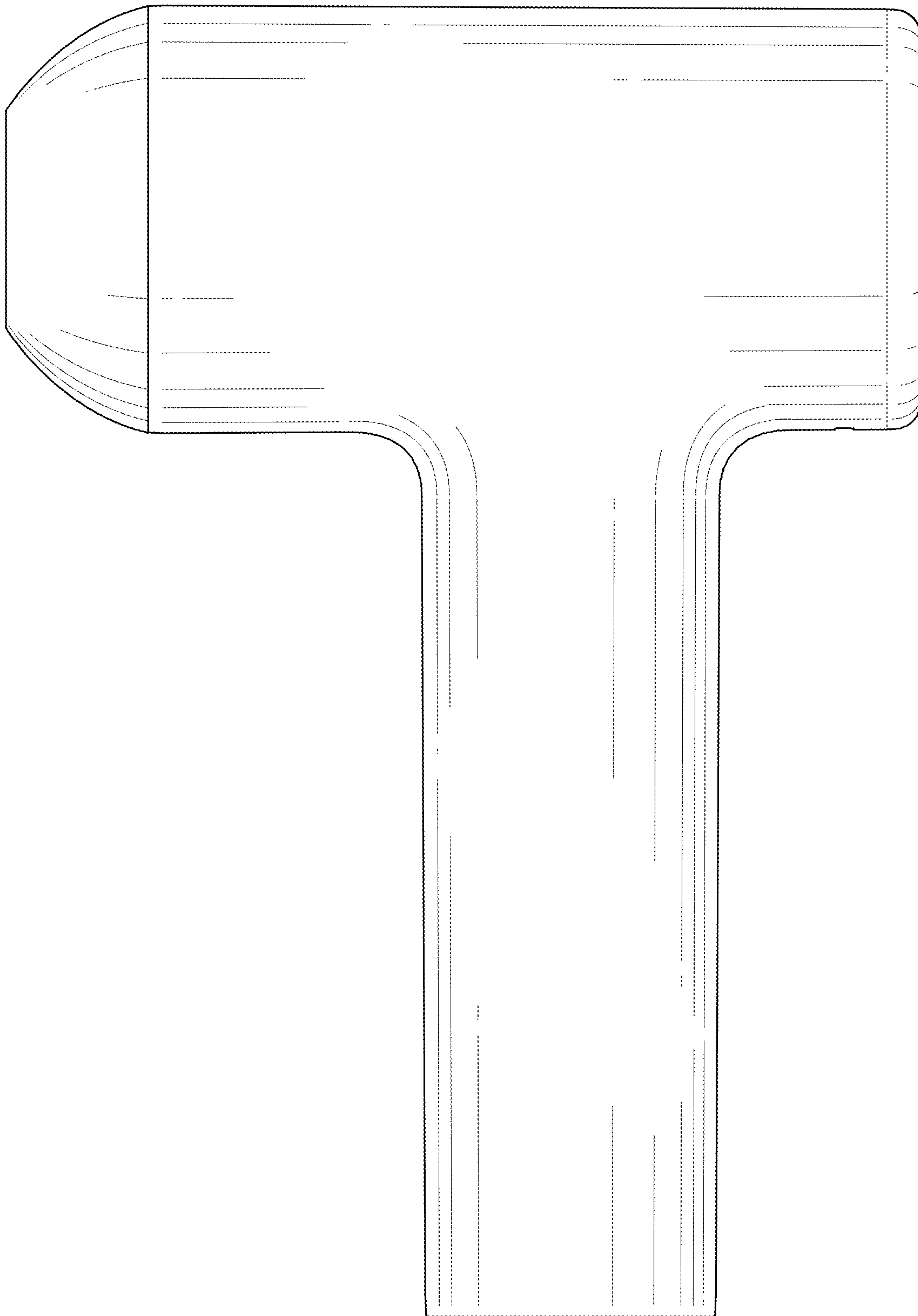


FIG. 6

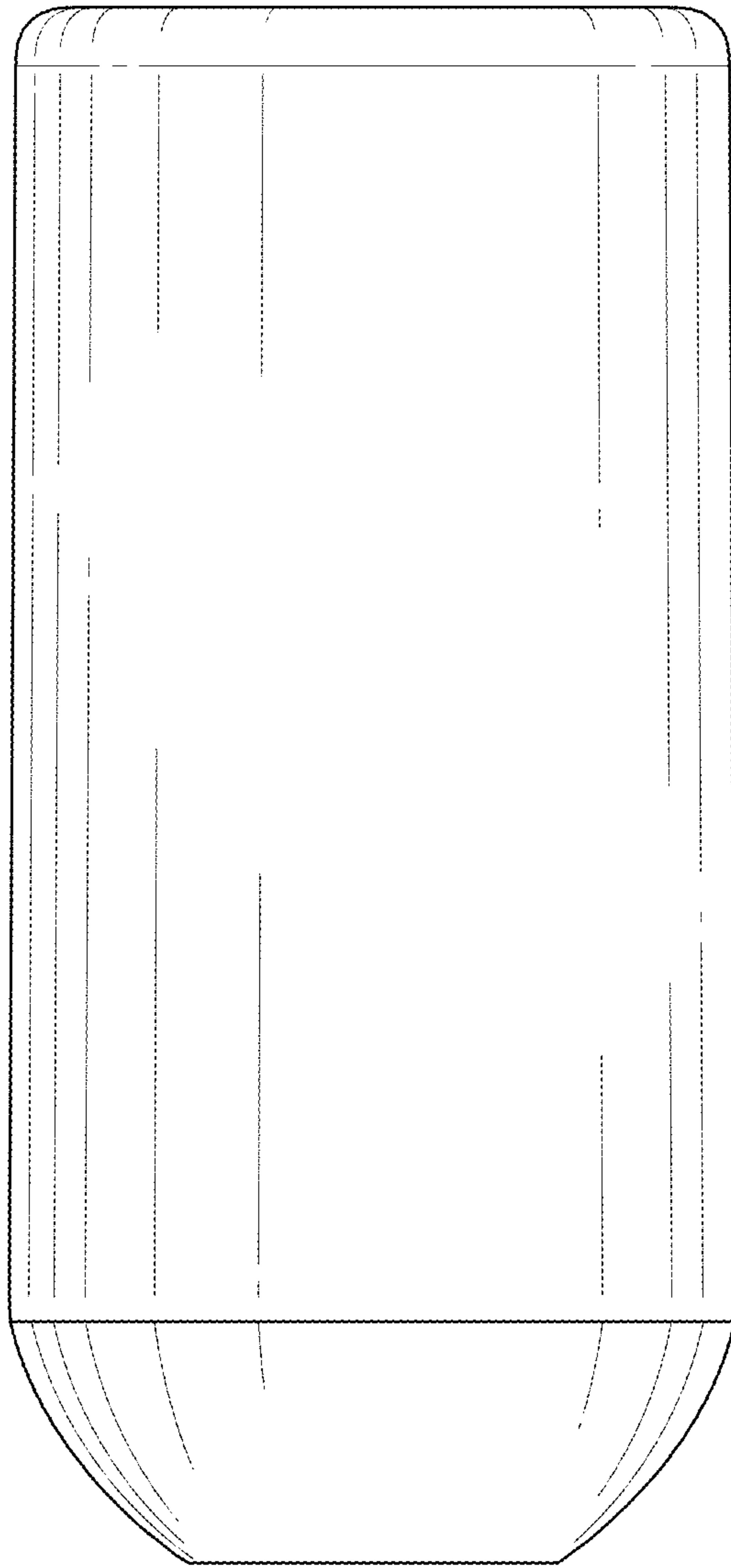


FIG. 7

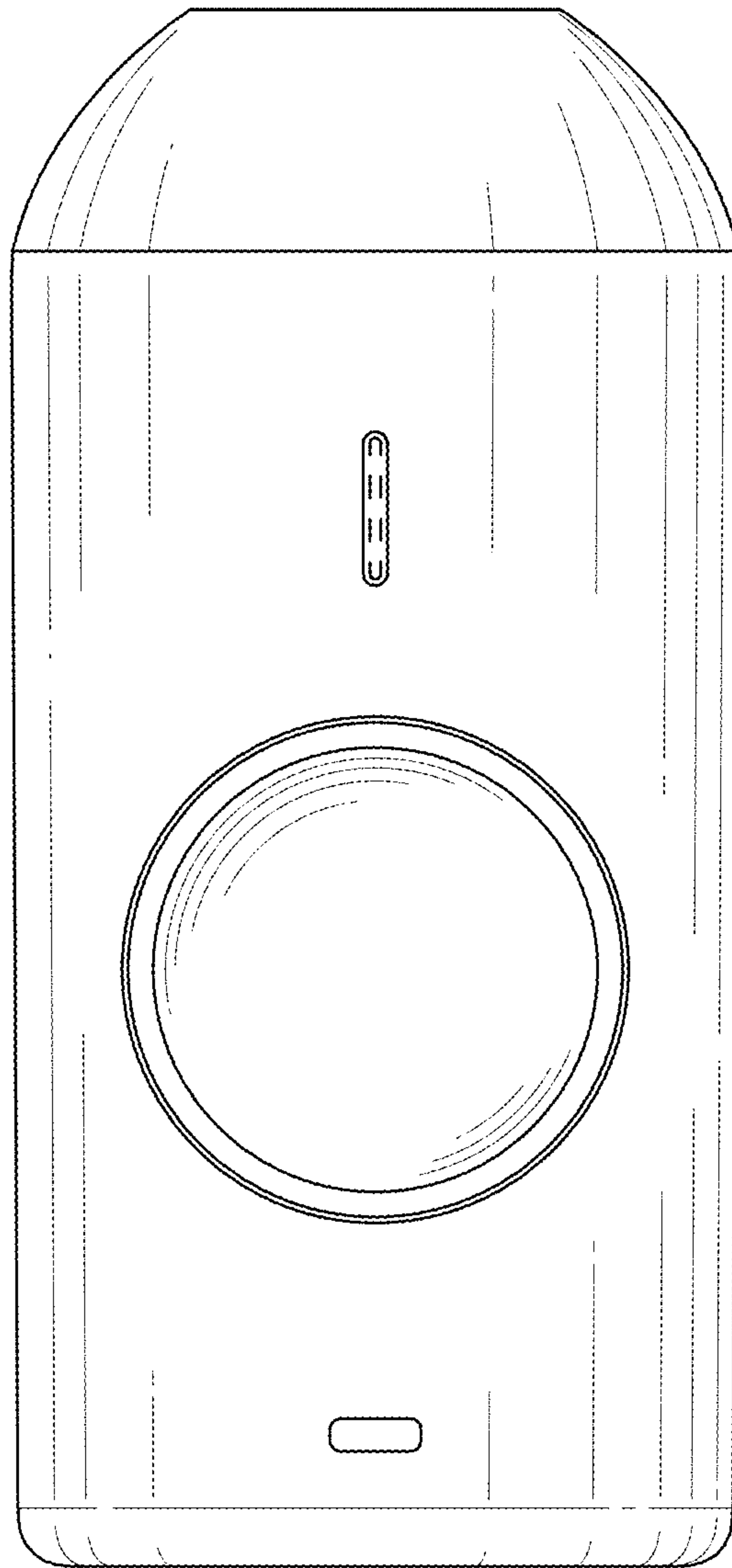


FIG. 8

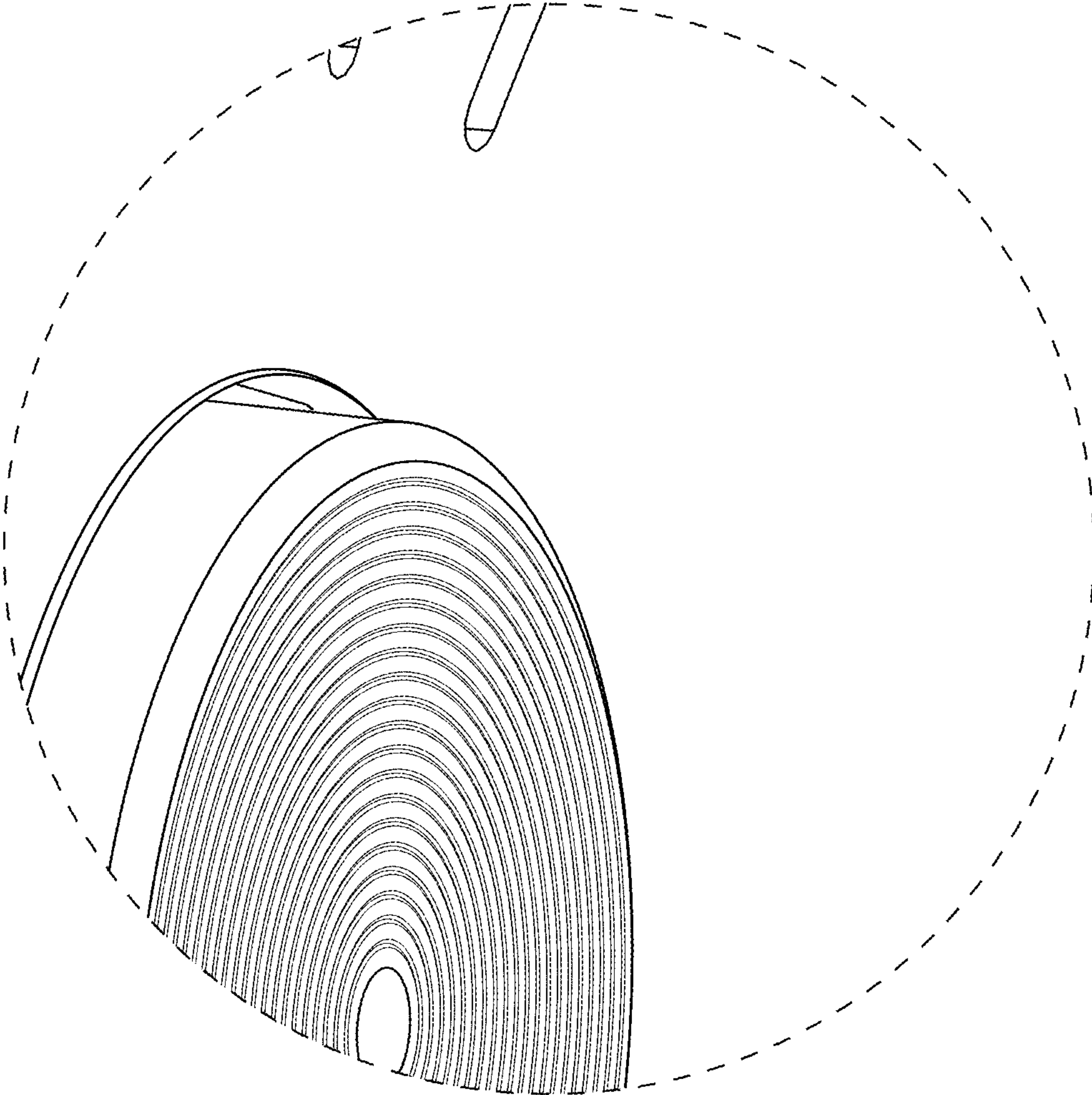


FIG. 9