



US00D989336S

(12) **United States Design Patent**
Ren et al.

(10) **Patent No.:** **US D989,336 S**
(45) **Date of Patent:** **** Jun. 13, 2023**

(54) **MESSAGE GUN WITH CHARGING BASE**

(71) Applicant: **SHENZHEN PENTASMART TECHNOLOGY CO., LTD**, Shenzhen (CN)

(72) Inventors: **Yingchun Ren**, Shenzhen (CN); **Xiangan Gao**, Shenzhen (CN); **Bo Li**, Shenzhen (CN)

(73) Assignee: **SHENZHEN PENTASMART TECHNOLOGY CO., LTD**, Shenzhen (CN)

(**) Term: **15 Years**

(21) Appl. No.: **29/797,697**

(22) Filed: **Jul. 1, 2021**

(51) **LOC (14) Cl.** **28-03**

(52) **U.S. Cl.**
USPC **D24/215; D13/108**

(58) **Field of Classification Search**
USPC D24/215, 200, 211, 212, 213, 214, 133, D24/107, 231, 184, 209, 206; D8/14.1, D8/61; D28/12, 13; D13/107, 108, 109
CPC A61H 7/00; A61H 7/003; A61H 7/004; A61H 9/00; A61H 15/00; A61H 2015/0007; A61H 2015/0042; A61H 2015/0071; A61H 15/0078; A61H 15/0085; A61H 15/0092; A61H 23/00; A61H 23/02

See application file for complete search history.

(56) **References Cited**

U.S. PATENT DOCUMENTS

D653,393 S * 1/2012 Oh D28/13
D729,447 S * 5/2015 Gammack D28/13
D730,576 S * 5/2015 Gammack D28/13
D865,666 S * 11/2019 Roberts D13/108
D884,205 S * 5/2020 Zhuang D24/215

(Continued)

OTHER PUBLICATIONS

YIGM—Massage Gun. Date: Jan. 13, 2021. [online]. [Site visited Dec. 20, 2022]. Available from Internet URL: <https://www.amazon.com/dp/B08SWGPHYVG/> (Year: 2021).*

(Continued)

Primary Examiner — Eliza Z Harvey

Assistant Examiner — Landon Thomas Cassell

(57) **CLAIM**

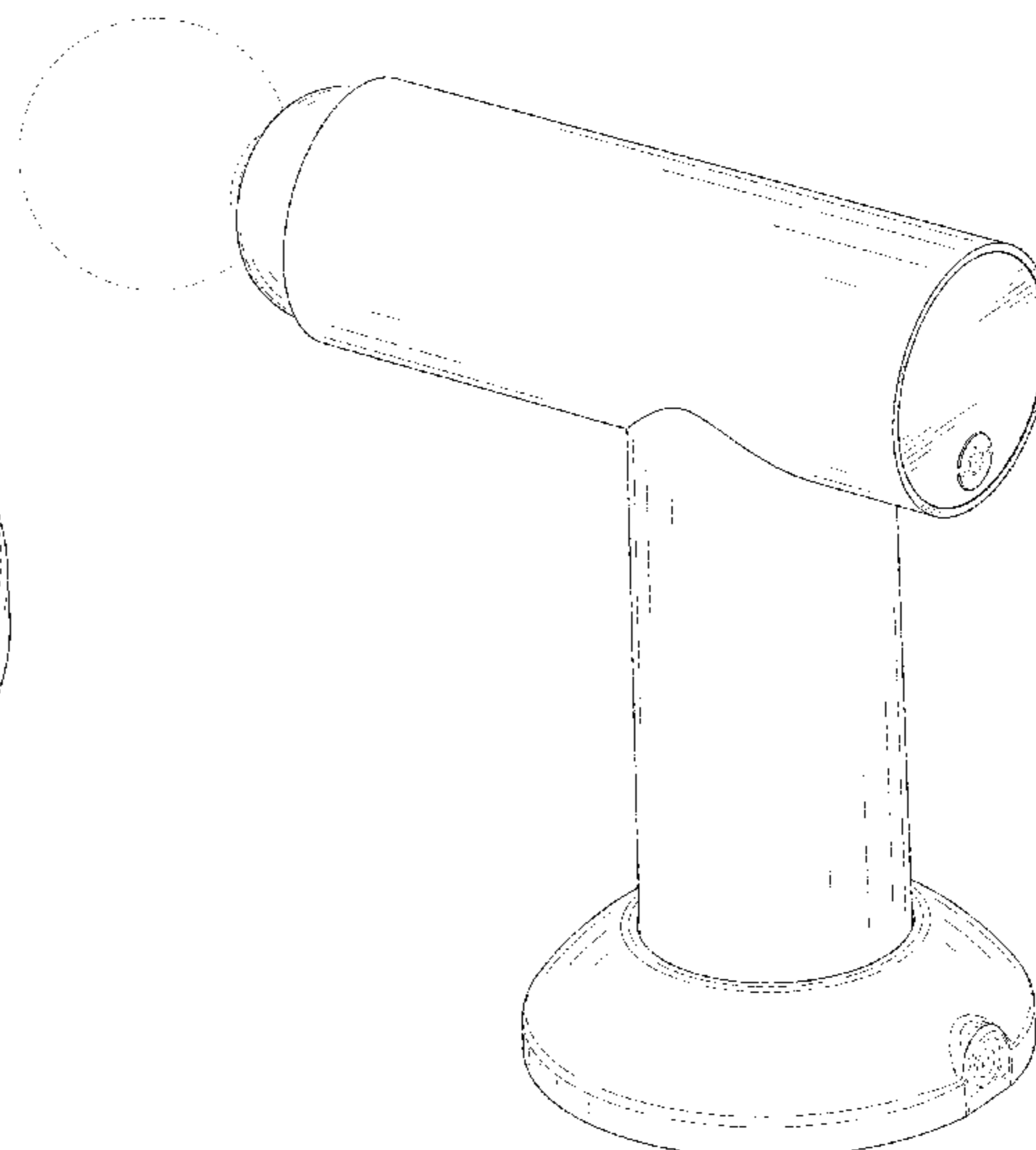
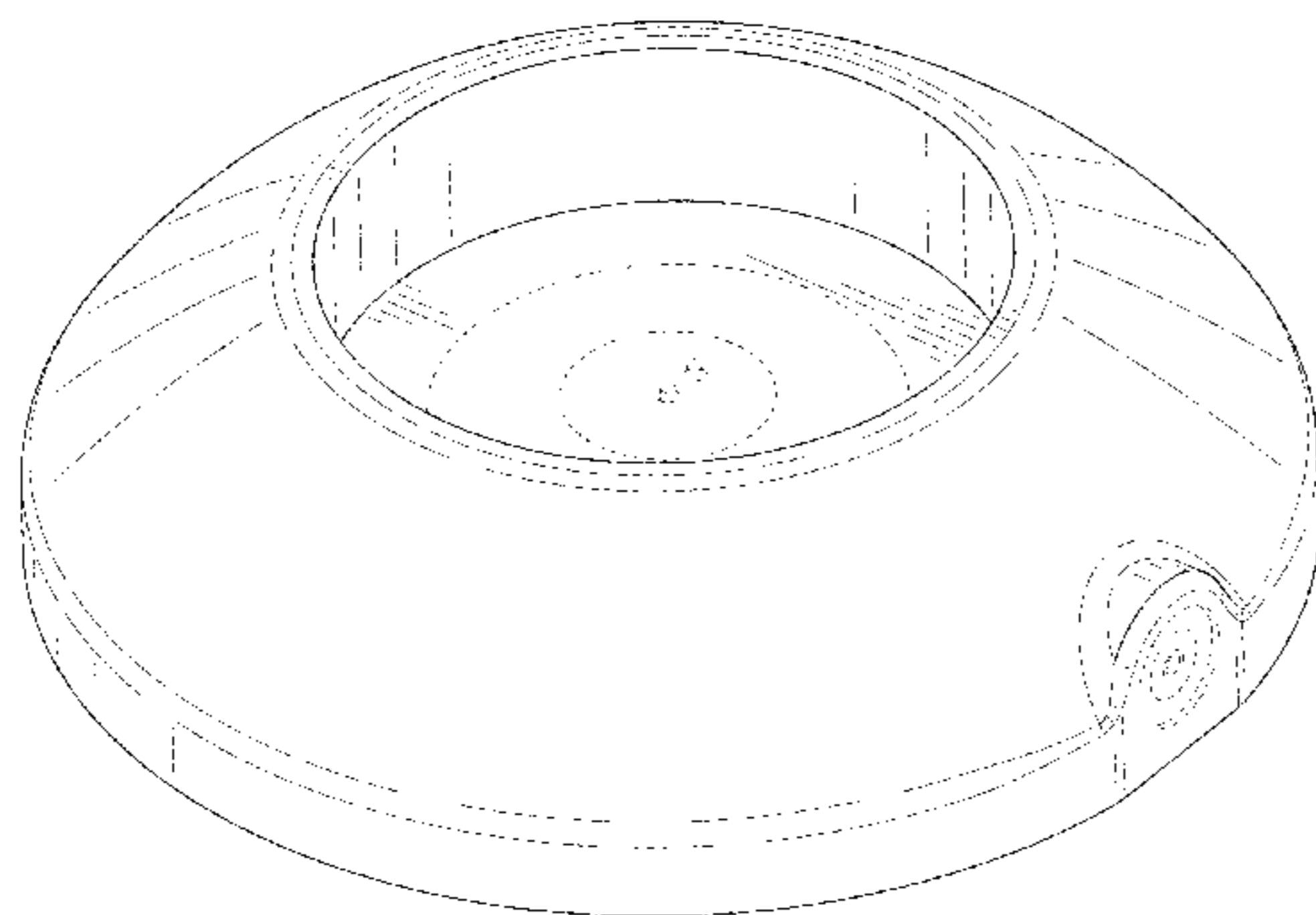
The ornamental design for a massage gun with charging base, as shown and described.

DESCRIPTION

FIG. 1 is a perspective view of a massage gun with charging base, shown separately for ease of illustration;
FIG. 2 is another perspective view thereof;
FIG. 3 is a front elevational view thereof;
FIG. 4 is a rear elevational view thereof;
FIG. 5 is a left side elevational view thereof;
FIG. 6 is a right side elevational view thereof;
FIG. 7 is a top plan view thereof;
FIG. 8 is a bottom plan view thereof;
FIG. 9 is a perspective view of a charging base of the massage gun with charging base, shown separately for ease of illustration;
FIG. 10 is another perspective view thereof;
FIG. 11 is a front elevational view thereof;
FIG. 12 is a rear elevational view thereof;
FIG. 13 is a left side elevational view thereof;
FIG. 14 is a right side elevational view thereof;
FIG. 15 is a top plan view thereof;
FIG. 16 is a bottom plan view thereof; and,
FIG. 17 is a perspective view of the massage gun with charging base.

The broken lines in the drawings depict portions of the massage gun with charging base that form no part of the claimed design.

1 Claim, 17 Drawing Sheets



(56)

References Cited

U.S. PATENT DOCUMENTS

D898,933 S * 10/2020 Xu D24/215
D907,229 S * 1/2021 Zhang D24/215
D917,060 S * 4/2021 Hu D24/215
D921,917 S * 6/2021 Xu D24/215
D924,422 S * 7/2021 Huang D24/215
D927,778 S * 8/2021 Zou D28/13
D954,939 S * 6/2022 Liang D24/111
2021/0196563 A1 * 7/2021 Sheng A61H 23/02

OTHER PUBLICATIONS

ZXD—Fascia gun. Date: Jun. 24, 2021. [online]. [Site visited Dec. 19, 2022]. Available from Internet URL: <https://www.amazon.co.uk/dp/B097TDMDBJ/> (Year: 2021).*

HoMedics—Massage Gun. Date: Jun. 24, 2020. [online]. [Site visited Dec. 20, 2022]. Available from Internet URL: <https://www.amazon.co.uk/dp/B08BSLBCFL/?th=1> (Year: 2020).*

Massagers. (Design—© Questel) orbit.com. [Online PDF compilation of references] 42 pgs. Print Dates Range Feb. 21, 2020-Nov. 17, 2020 [Retrieved Dec. 23, 2022] <https://www.orbit.com/export/UCZAH96B/pdf4/b72507b5-bb97-478b-9c06-832150c8786e-175336.pdf> (Year: 2022).*

* cited by examiner

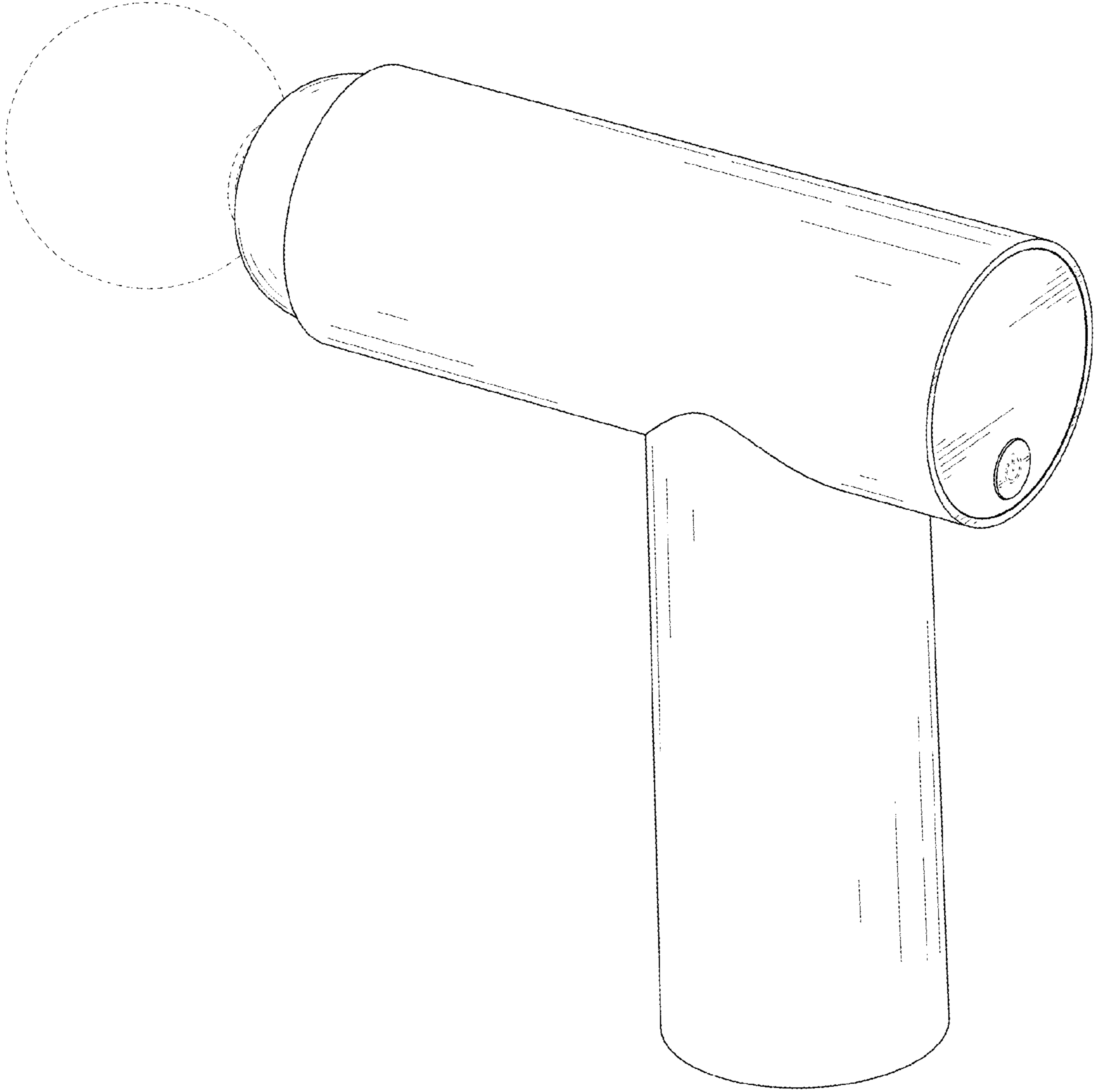


FIG. 1

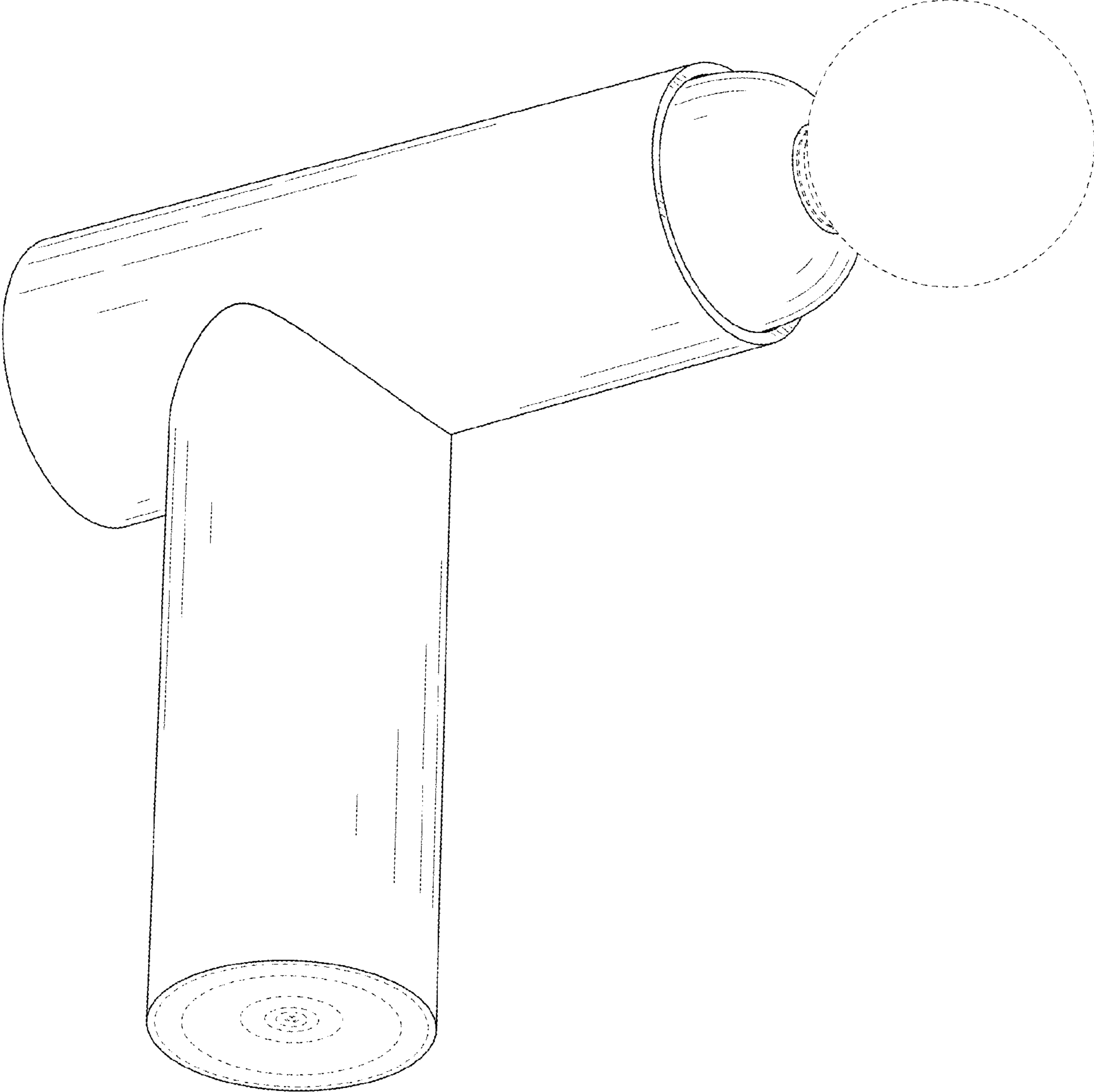


FIG. 2

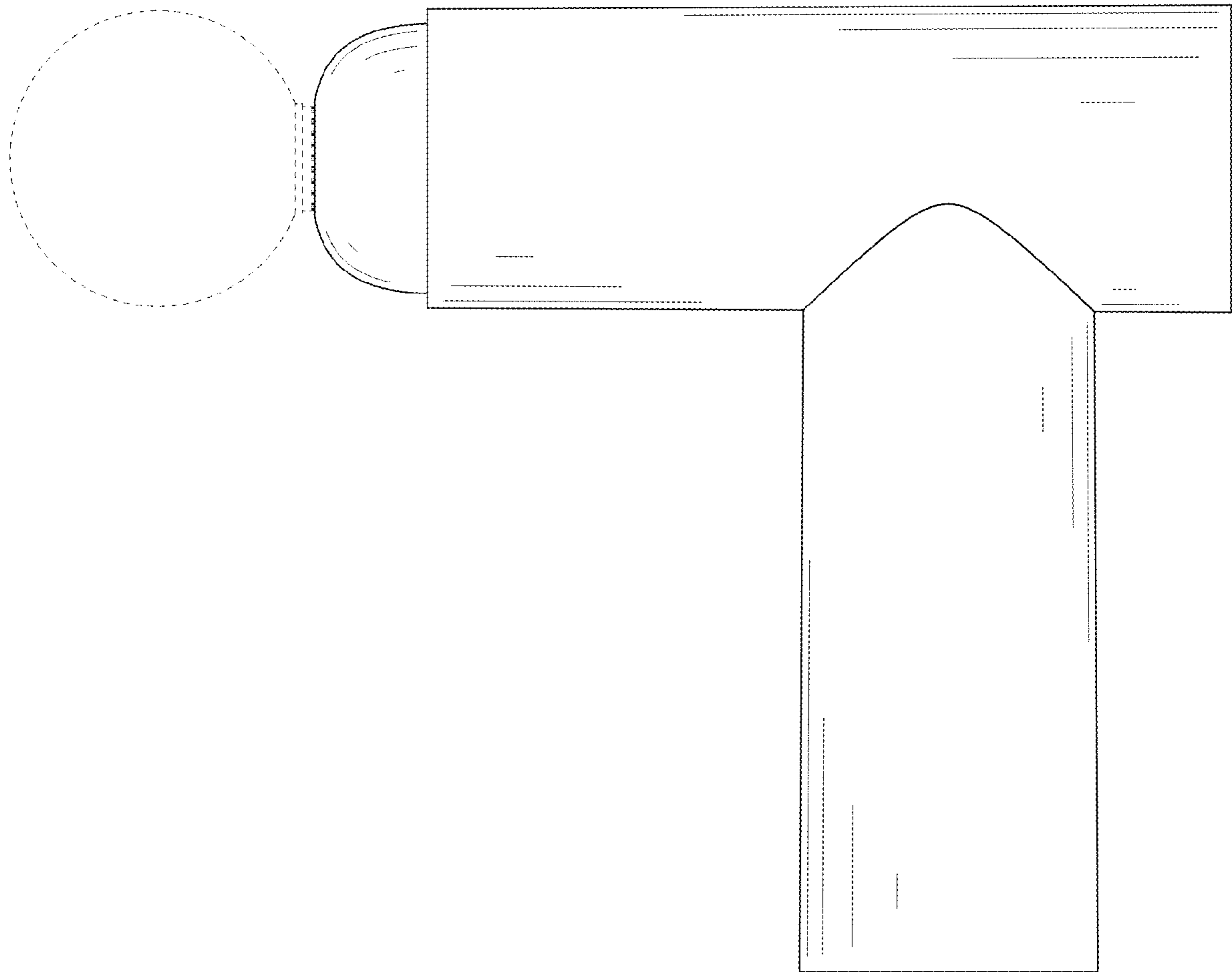


FIG. 3

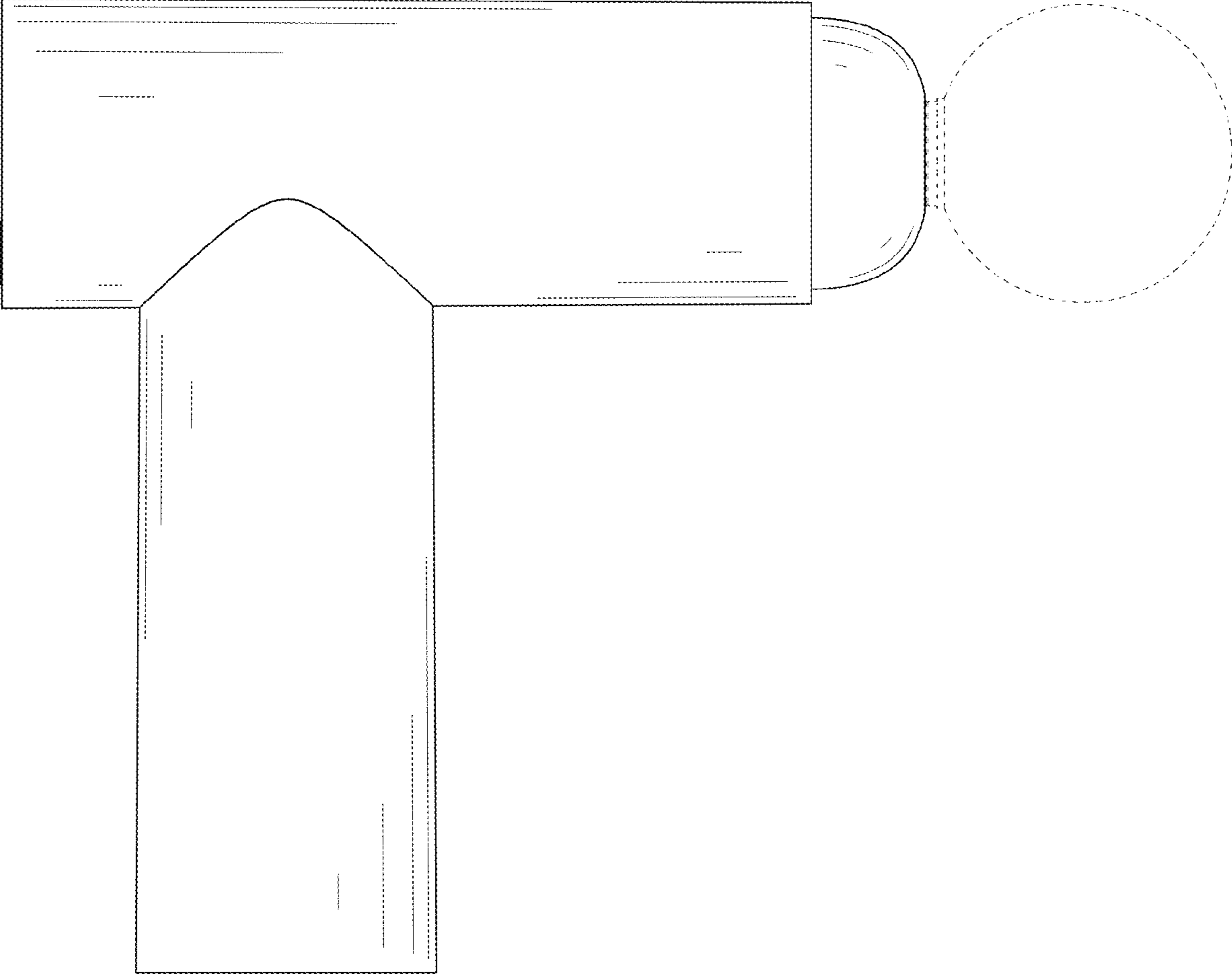


FIG. 4

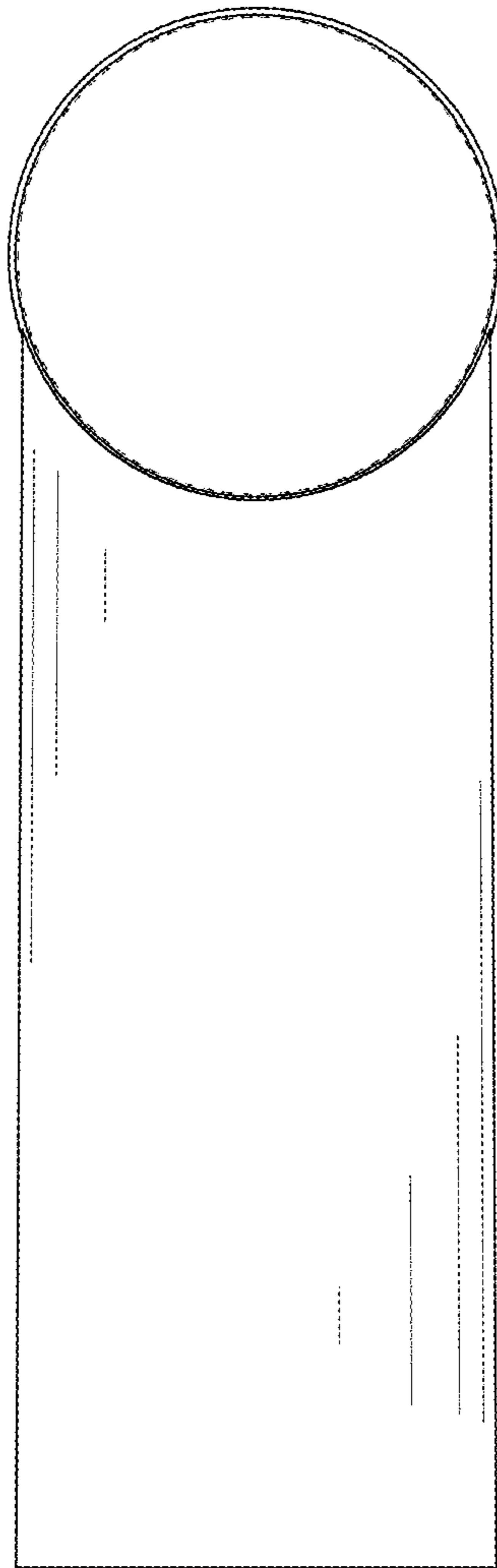


FIG. 5

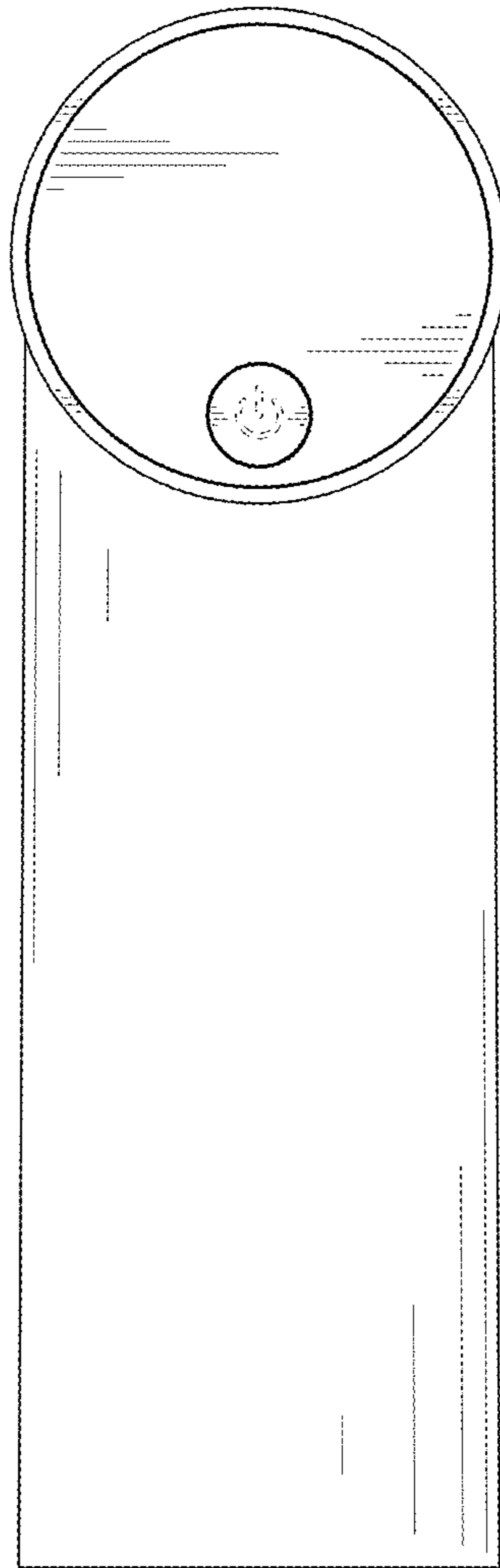


FIG. 6

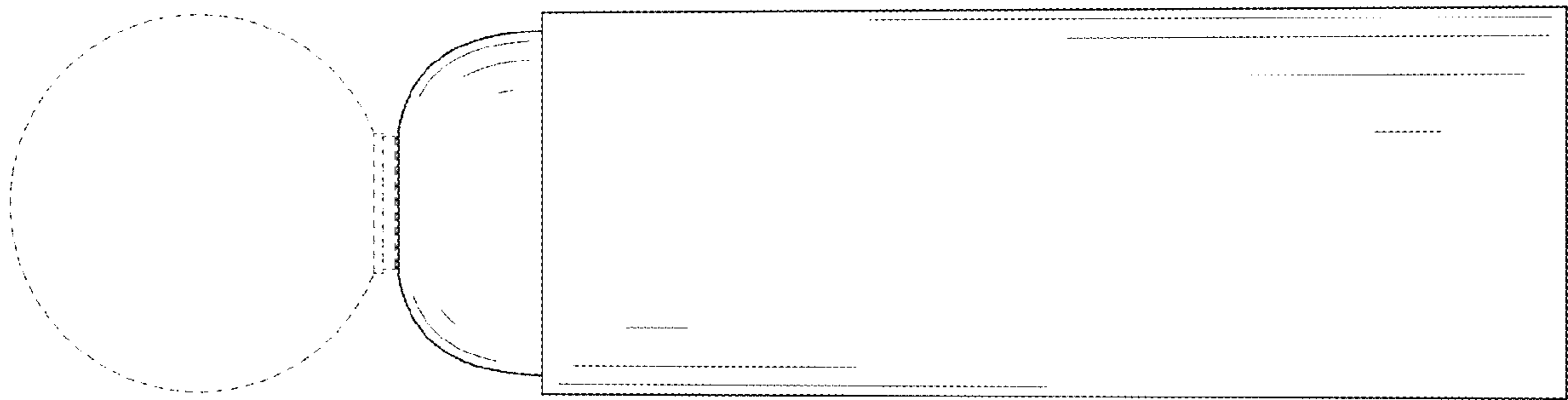


FIG. 7

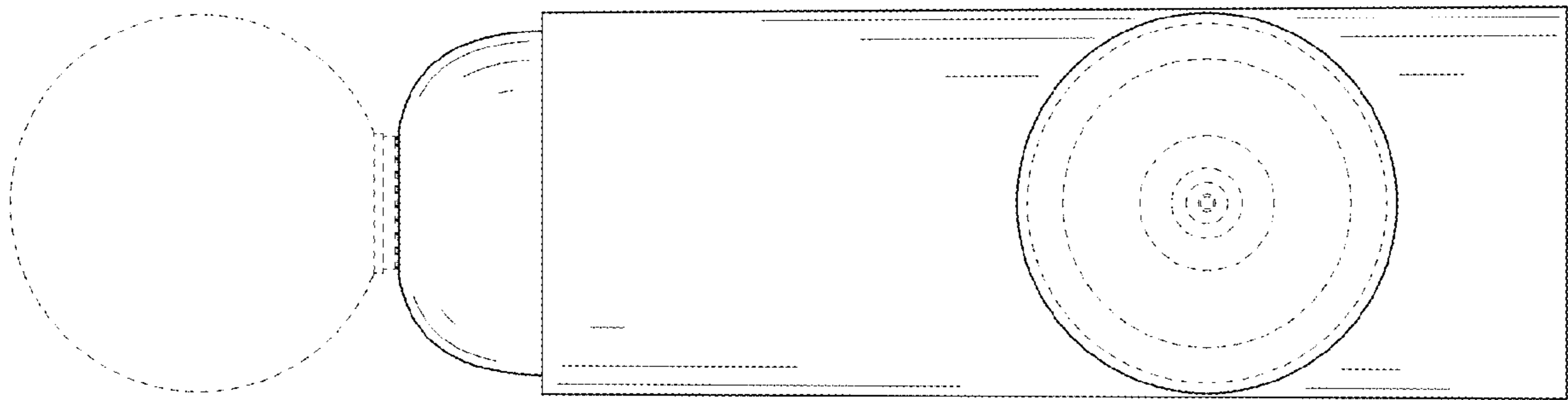


FIG. 8

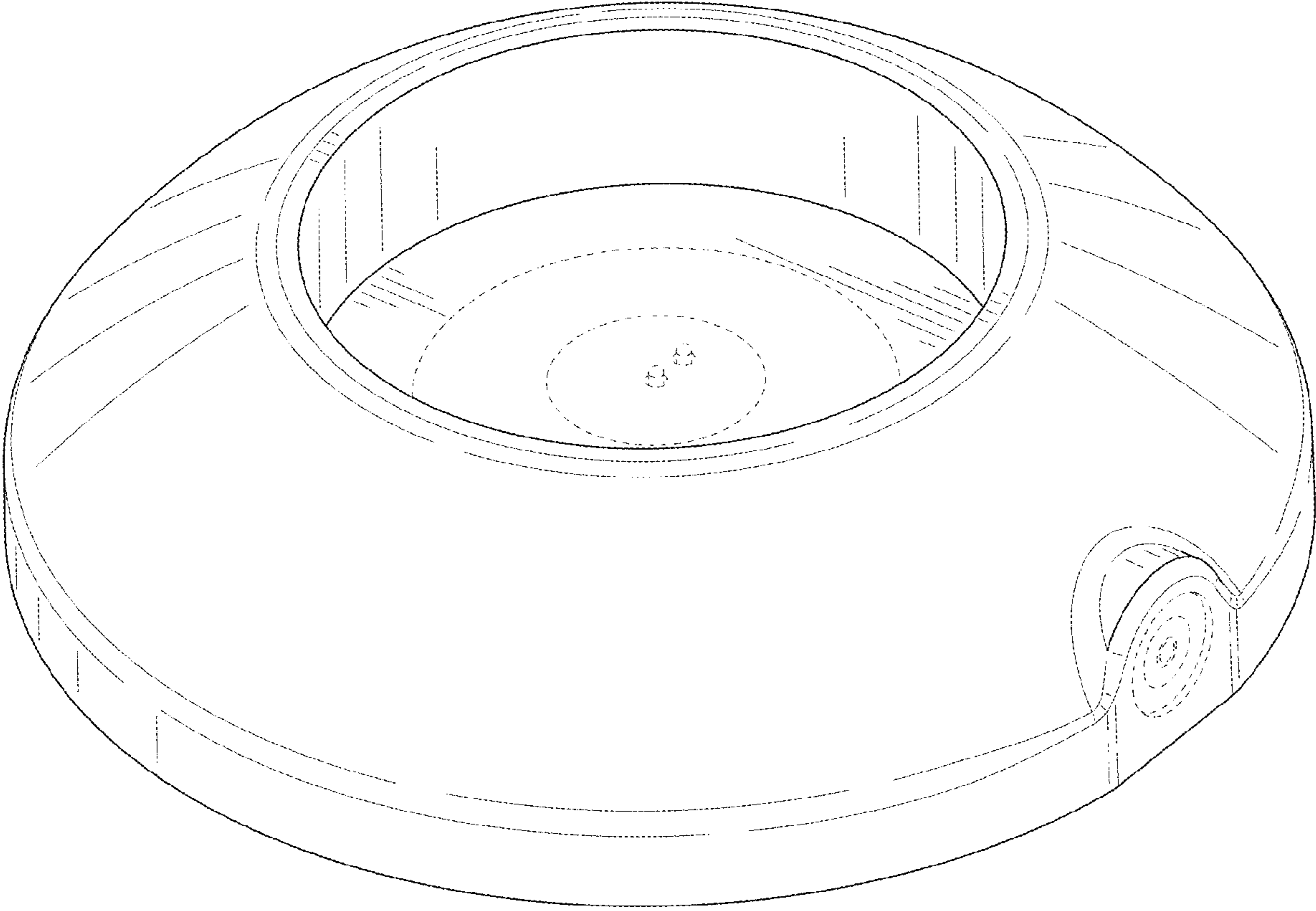


FIG. 9

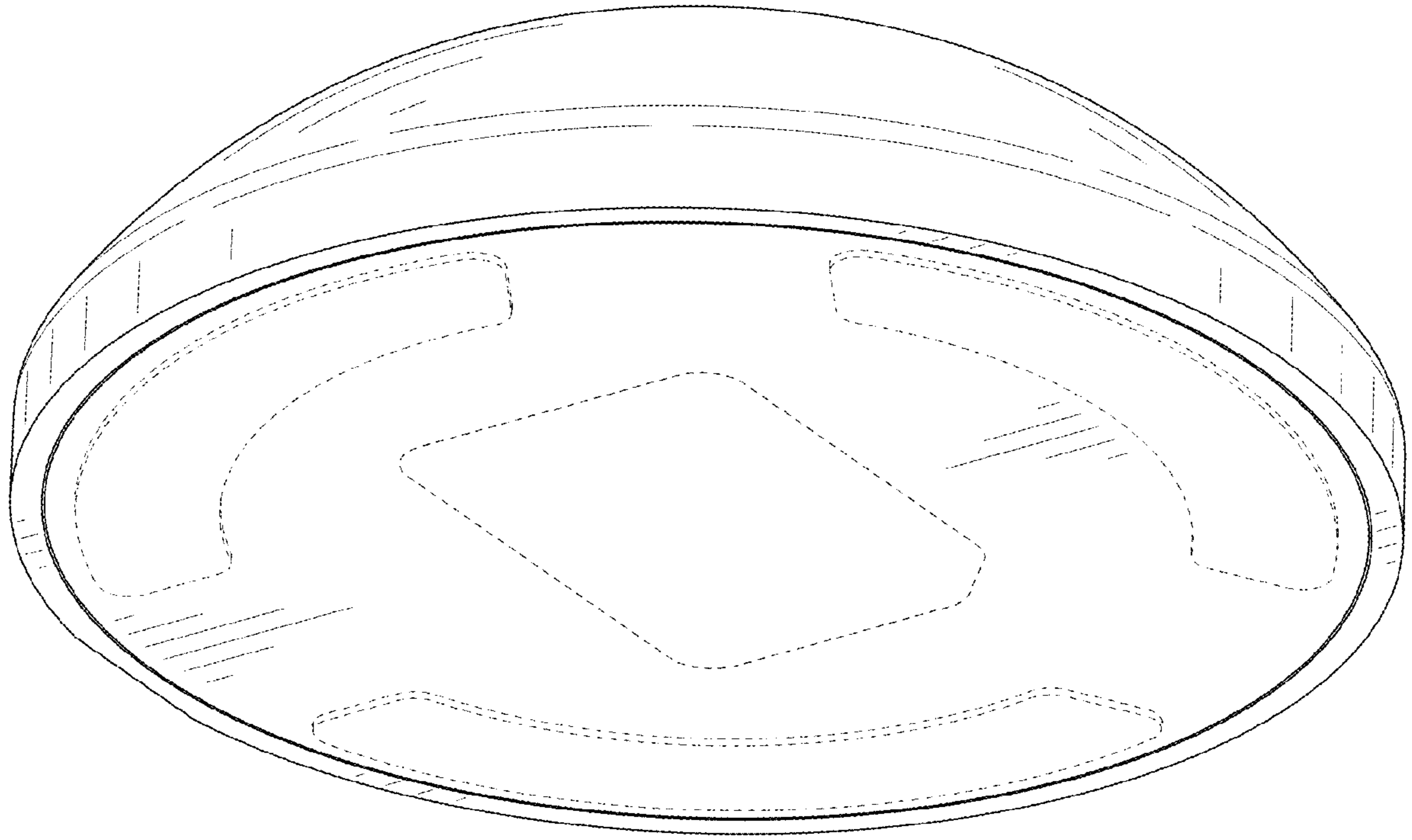


FIG. 10

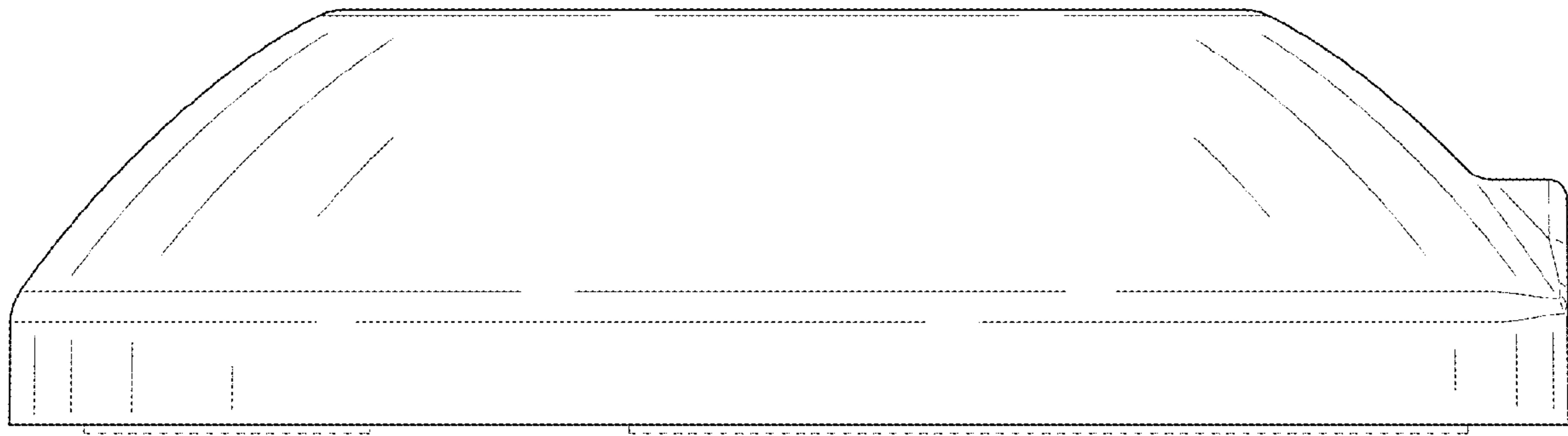


FIG. 11

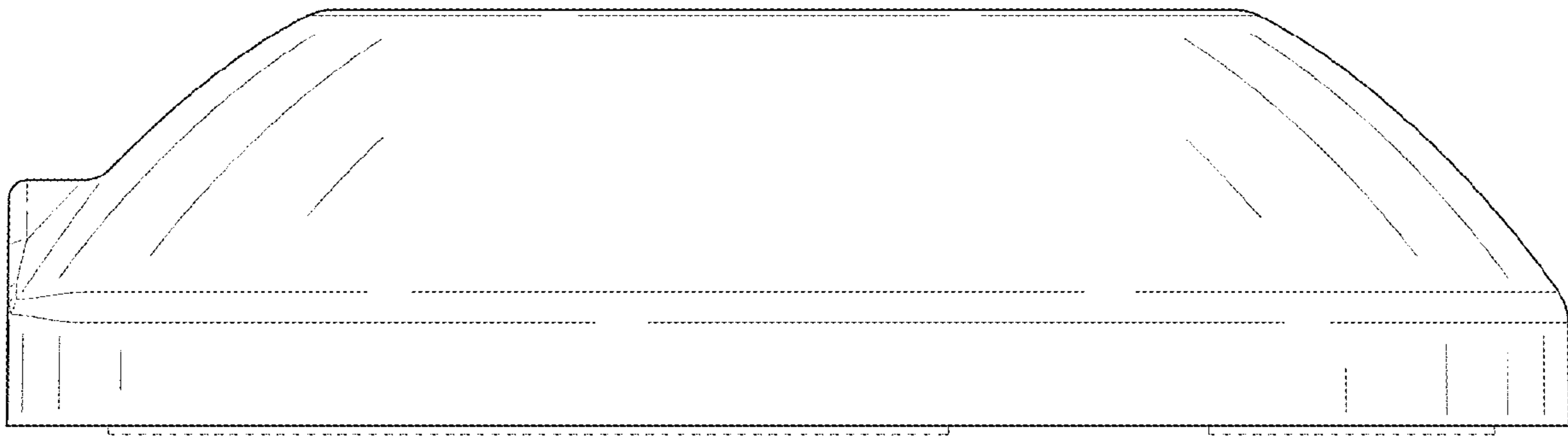


FIG. 12

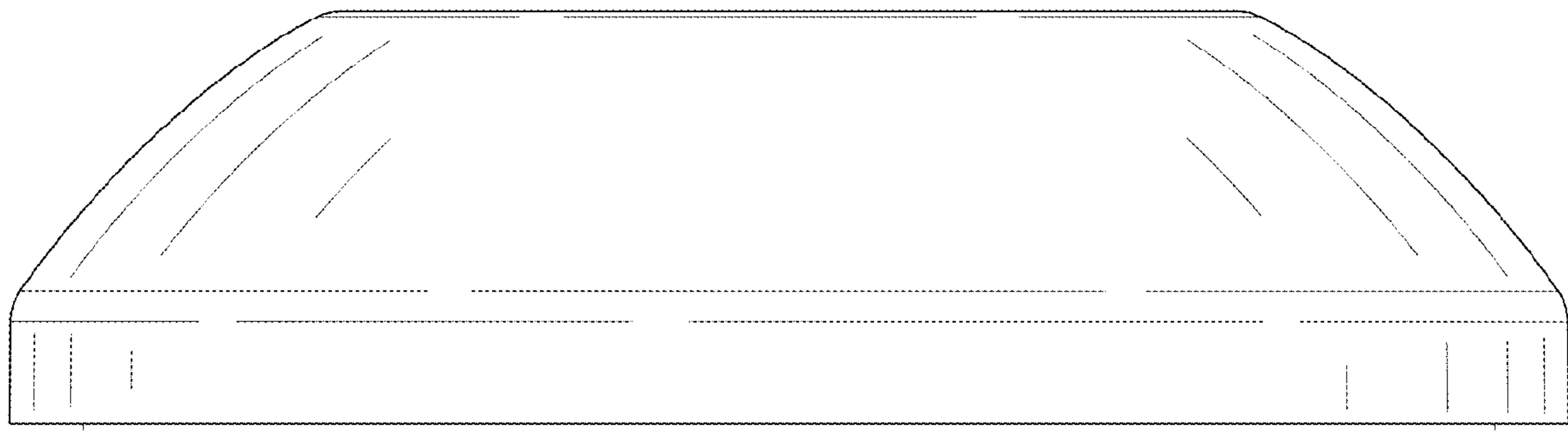


FIG. 13

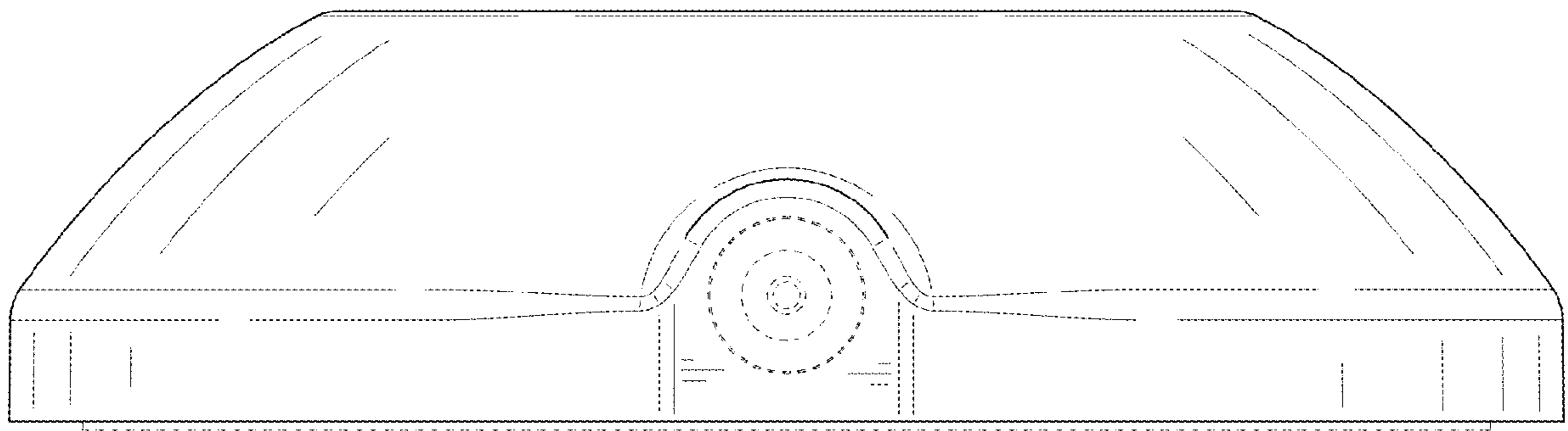


FIG. 14

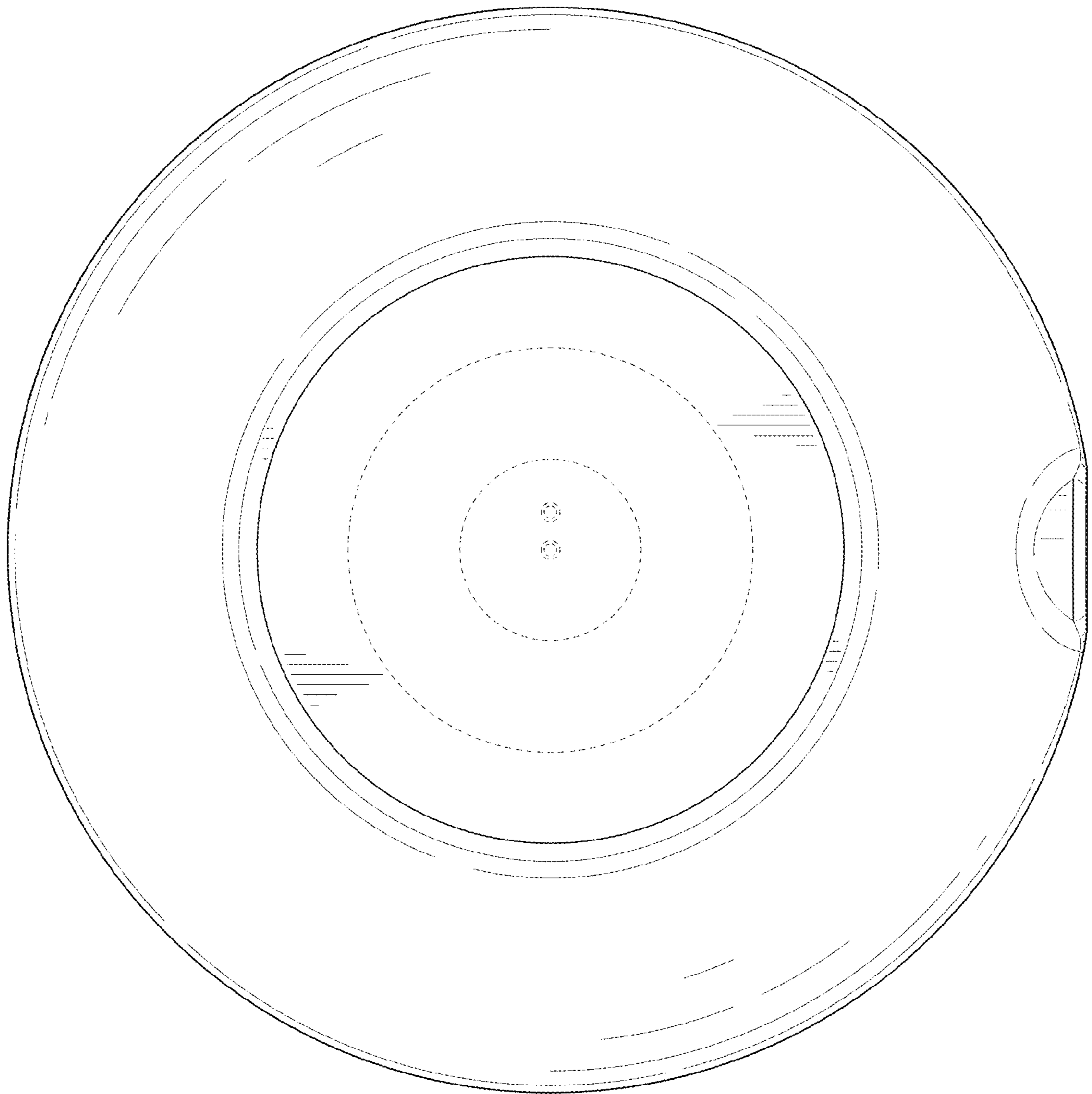


FIG. 15

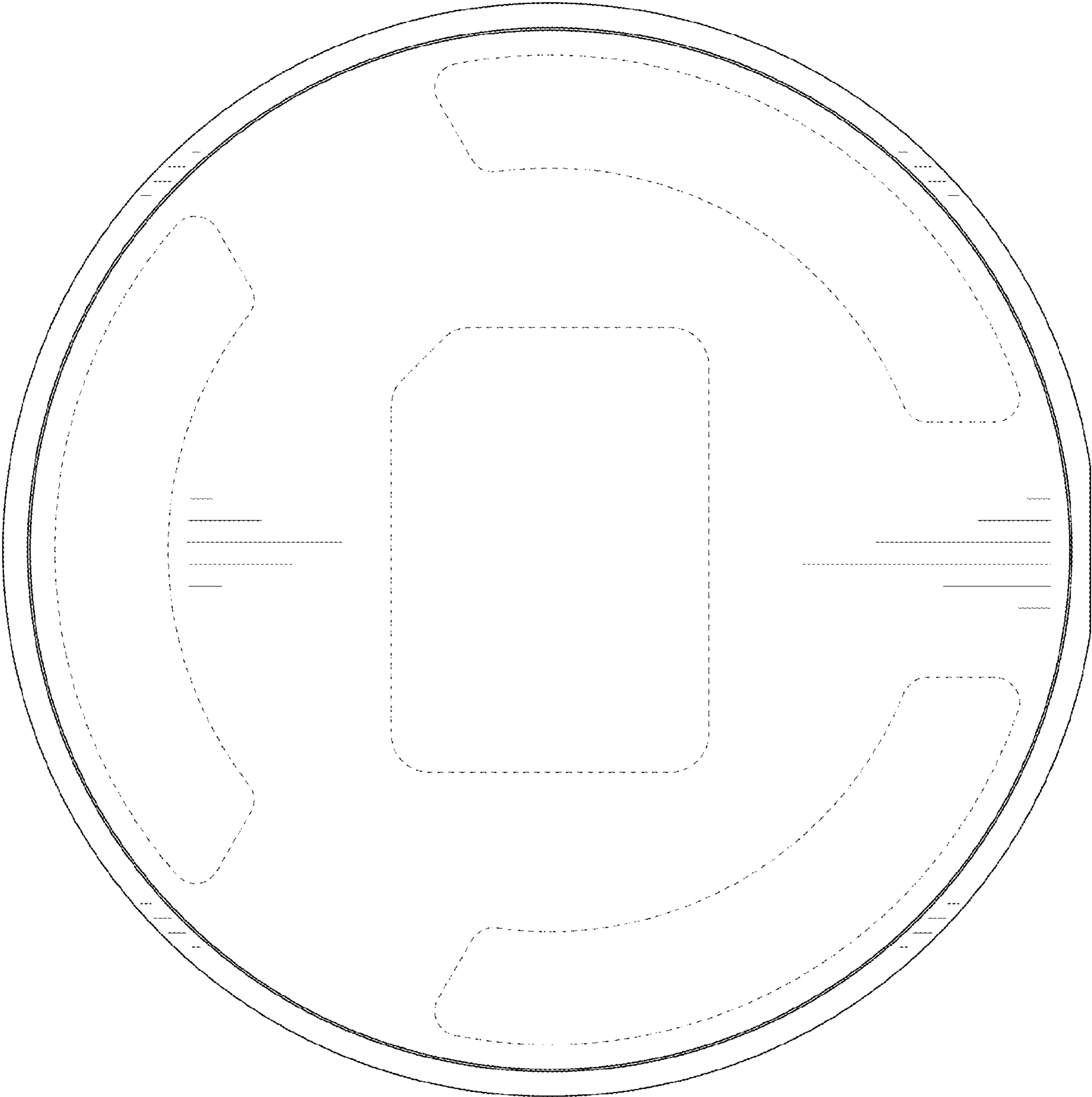


FIG. 16

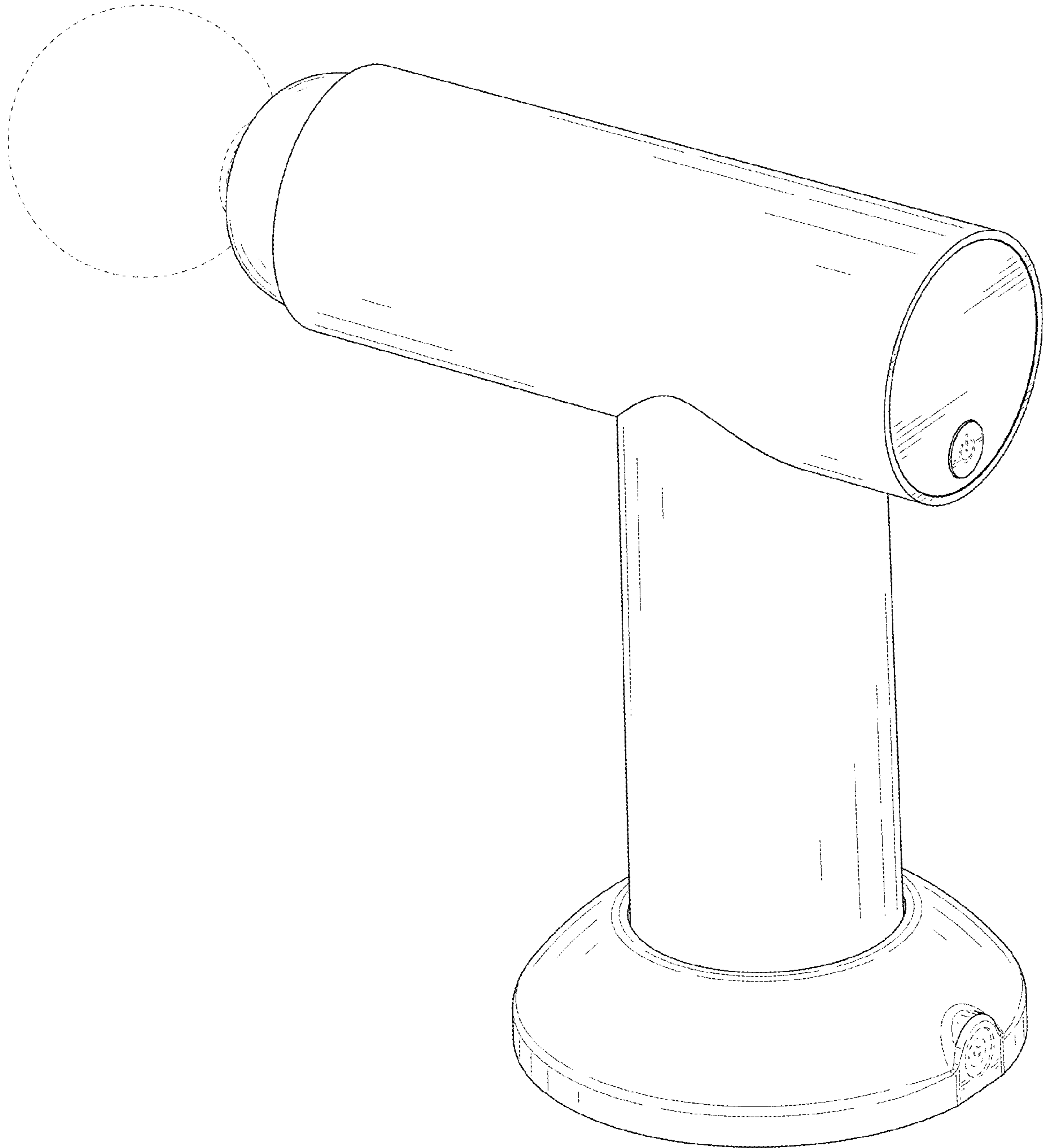


FIG. 17