



US00D989334S

(12) **United States Design Patent** (10) **Patent No.:** **US D989,334 S**  
**Wu** (45) **Date of Patent:** **\*\* Jun. 13, 2023**

(54) **NECK MASSAGER**  
(71) Applicant: **Shenzhen GooDrone Intelligent Technology Co., Ltd, Shenzhen (CN)**  
(72) Inventor: **Yong Wu, Guangdong (CN)**  
(73) Assignee: **SHENZHEN GOODRONE INTELLIGENT TECHNOLOGY CO., LTD., Shenzhen (CN)**  
(\*\*) Term: **15 Years**  
(21) Appl. No.: **29/747,469**  
(22) Filed: **Aug. 24, 2020**  
(51) **LOC (14) Cl.** ..... **28-03**  
(52) **U.S. Cl.**  
USPC ..... **D24/215**  
(58) **Field of Classification Search**  
USPC ..... D24/215, 200, 211, 212, 213, 214, 133, D24/107, 231, 184, 190, 191; D14/205  
CPC ..... A61H 7/00; A61H 7/006; A61H 7/007; A61H 15/00; A61H 2015/0007; A61H 2015/0042; A61H 15/0078; A61H 15/0085; A61H 2205/062; A61H 2205/08; A61H 2205/081  
See application file for complete search history.

(56) **References Cited**  
U.S. PATENT DOCUMENTS  
D517,217 S \* 3/2006 Zou ..... D24/215  
D609,818 S \* 2/2010 Tsang ..... D24/215  
D719,929 S \* 12/2014 Rye ..... D14/205  
D817,504 S \* 5/2018 Float ..... D24/191  
D888,263 S \* 6/2020 Du ..... D24/215  
D901,033 S \* 11/2020 Liang ..... D24/211  
D903,139 S \* 11/2020 Liang ..... D24/215  
D905,266 S \* 12/2020 Liu ..... D24/215  
D911,542 S \* 2/2021 Zhang ..... D24/215

2020/0206493 A1\* 7/2020 Liu ..... A61N 1/322  
2020/0237612 A1\* 7/2020 Liu ..... A61H 23/006  
2020/0238072 A1\* 7/2020 Liu ..... A61N 1/0476  
2020/0238080 A1\* 7/2020 Liu ..... A61N 1/322

**OTHER PUBLICATIONS**

KaRQlife—Intelligent Neck Massager. Date: May 26, 2021. [online]. [Site visited Oct. 5, 2022/2022]. Available from Internet URL: <https://www.newegg.com/smtaly-m5/p/0CZ-01TM-00001> (Year: 2021).\*  
Neck massagers. (Design—© Questel) orbit.com. [Online PDF compilation of references] 39 pgs. Print Dates Range Dec. 4, 2018-Jun. 12, 2020 [Retrieved Oct. 14, 2022] <https://www.orbit.com/export/UCZAH96B/pdf4/90bb07ad-3226-41a1-9e29-fbe7182df32f-161643.pdf> (Year: 2022).\*

\* cited by examiner

*Primary Examiner* — Eliza Z Harvey  
*Assistant Examiner* — Landon Thomas Cassell  
(74) *Attorney, Agent, or Firm* — Andrew C. Cheng

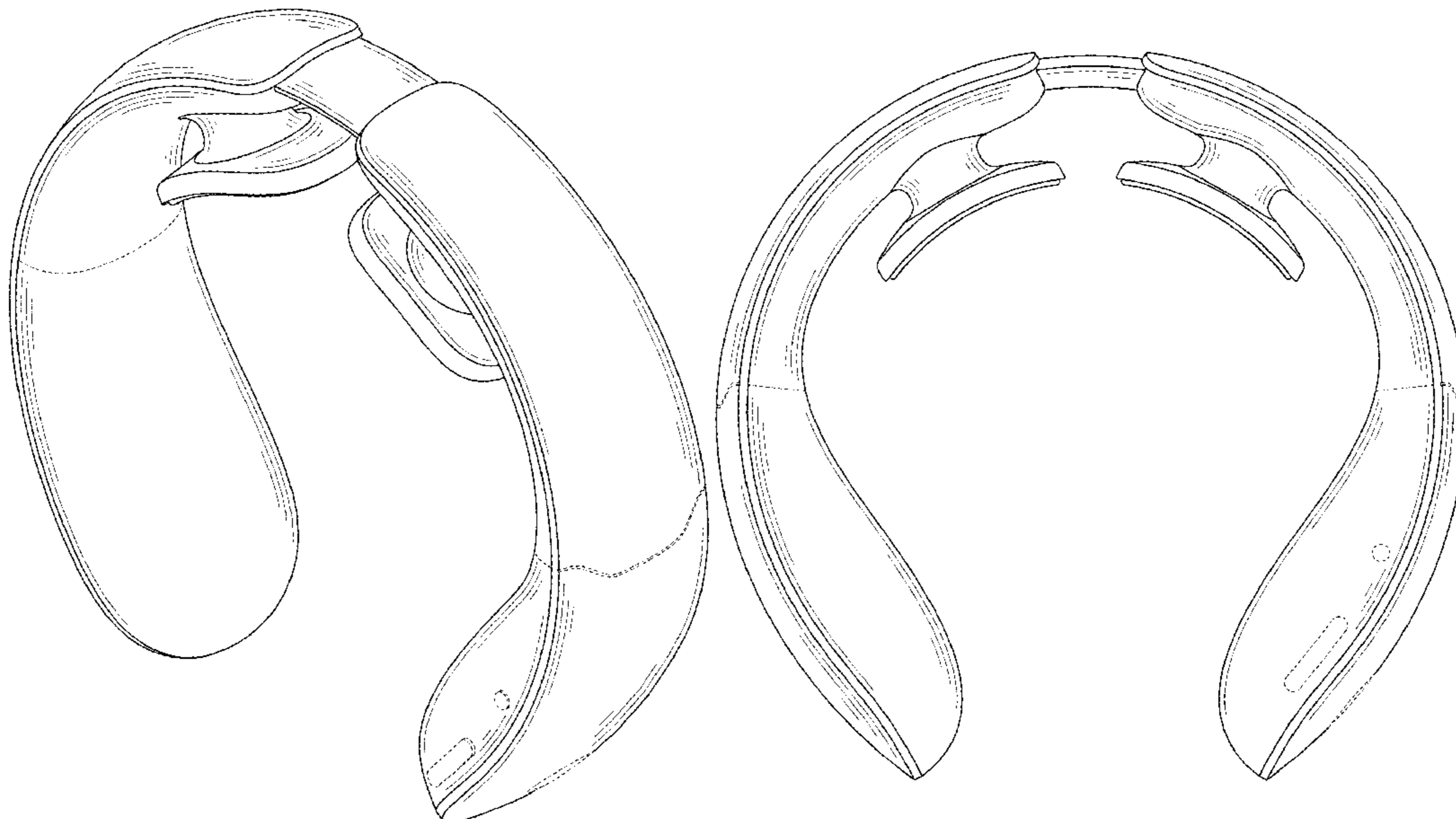
(57) **CLAIM**

I claim the ornamental design for a neck massager, as shown and described.

**DESCRIPTION**

FIG. 1 is a perspective view of a neck massager showing my new design.  
FIG. 2 is a perspective view of the neck massager of FIG. 1, viewed in another aspect.  
FIG. 3 is a front view of the neck massager of FIG. 1.  
FIG. 4 is a rear view of the neck massager of FIG. 1.  
FIG. 5 is a left side view of the neck massager of FIG. 1.  
FIG. 6 is a right side view of the neck massager of FIG. 1.  
FIG. 7 is a top view of the neck massager of FIG. 1; and, FIG. 8 is a bottom view of the neck massager of FIG. 1.  
The broken line showing of the environment is for illustrative purposes only and forms no part of the claimed design.

**1 Claim, 6 Drawing Sheets**



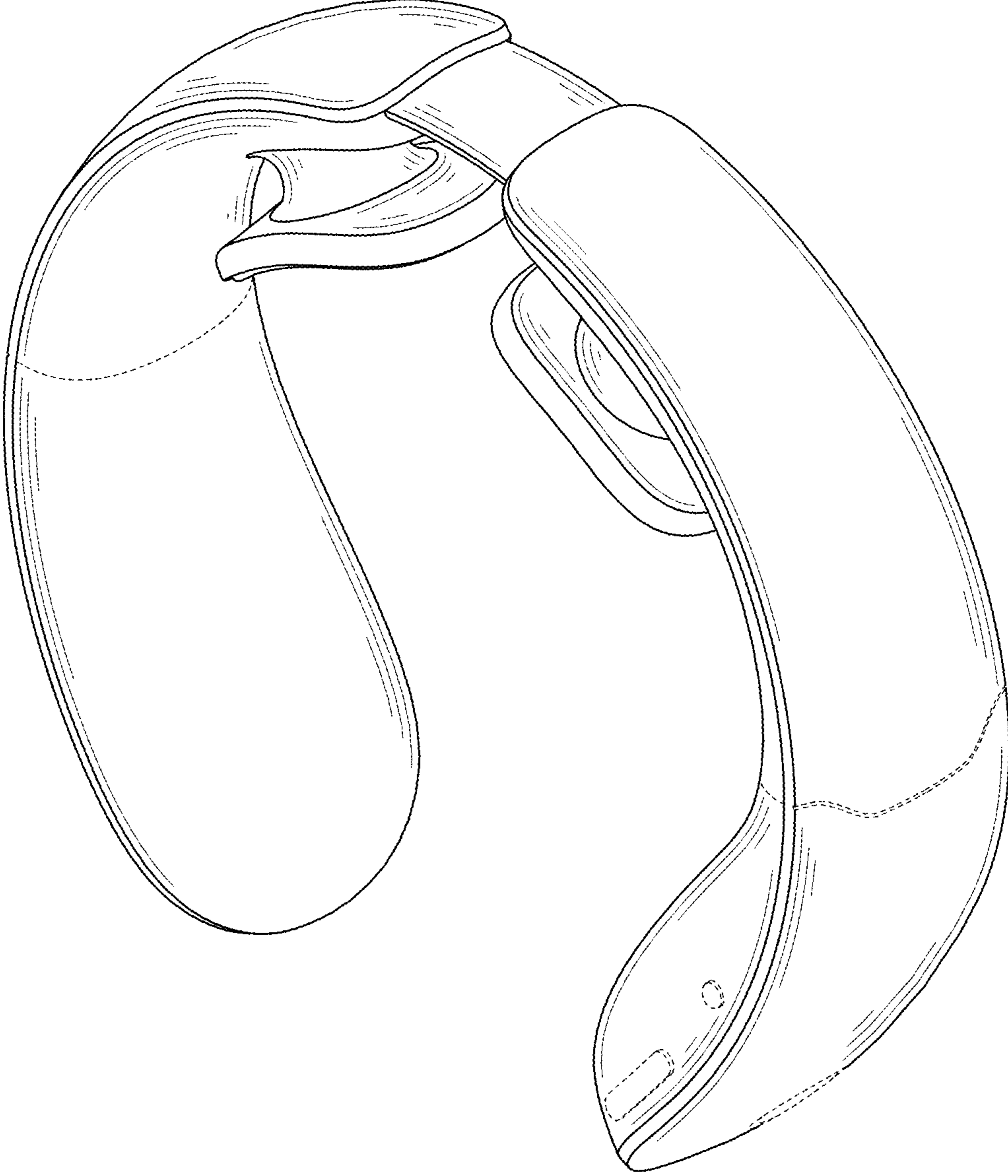


FIG. 1

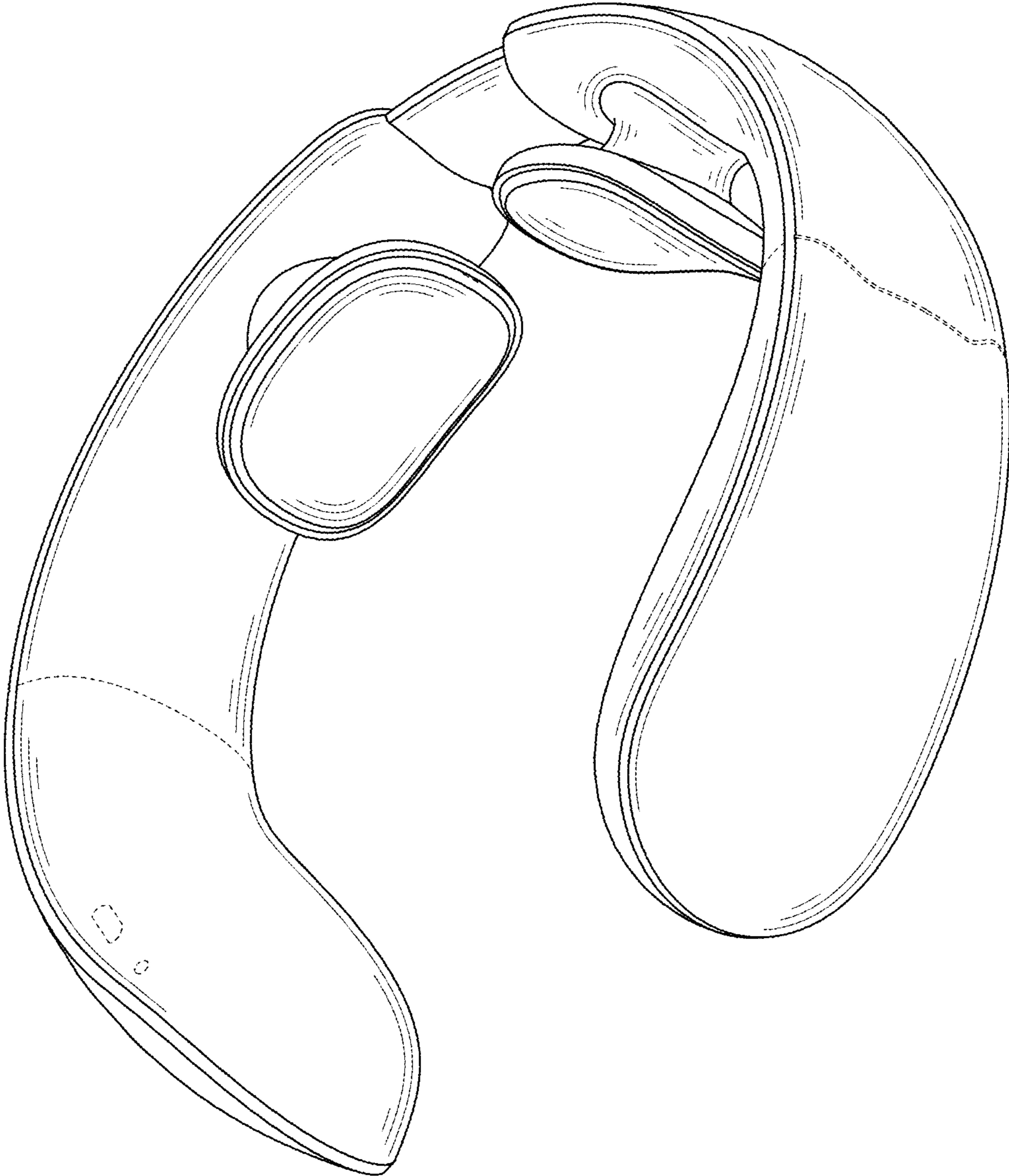


FIG. 2



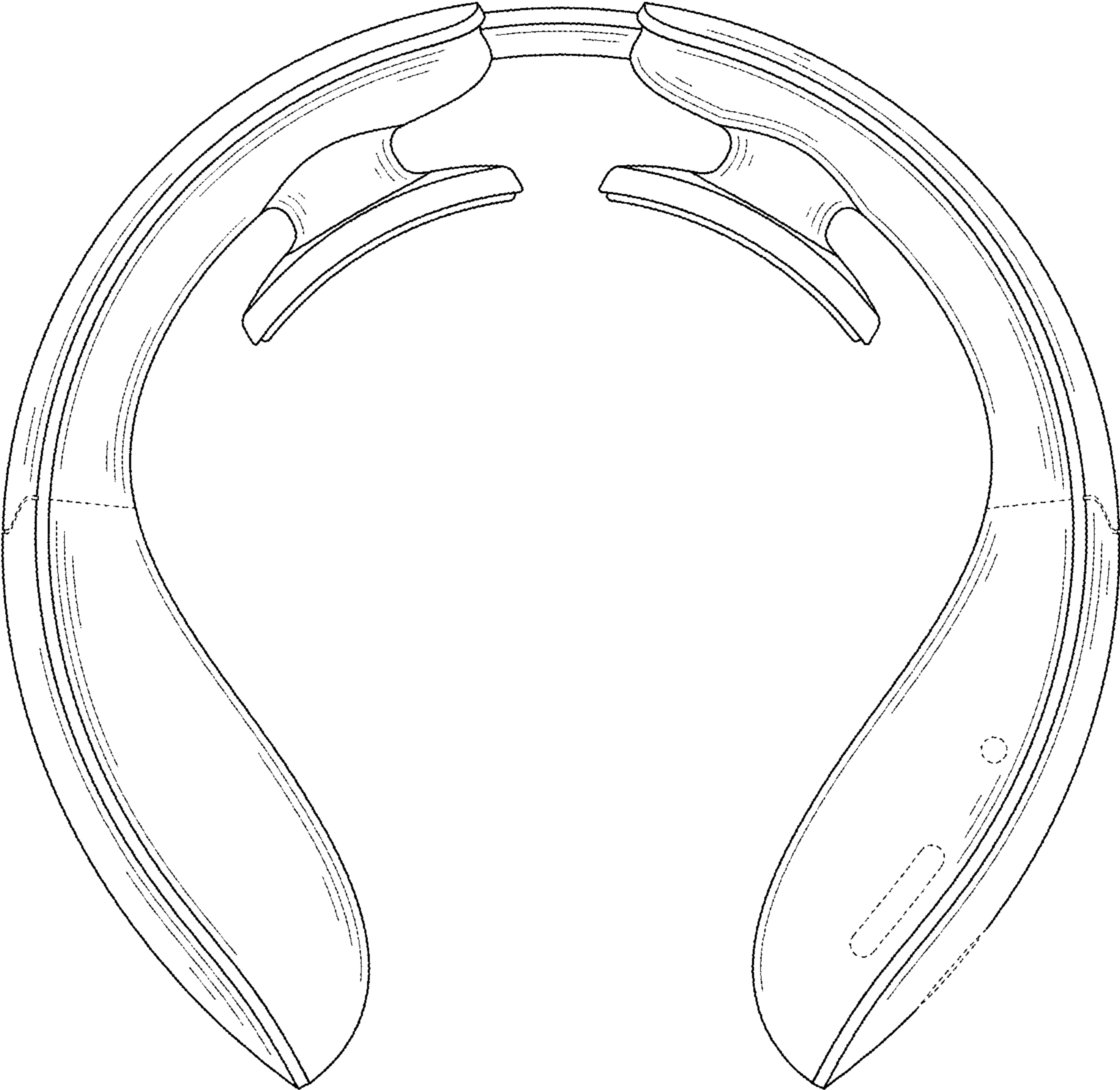


FIG. 3

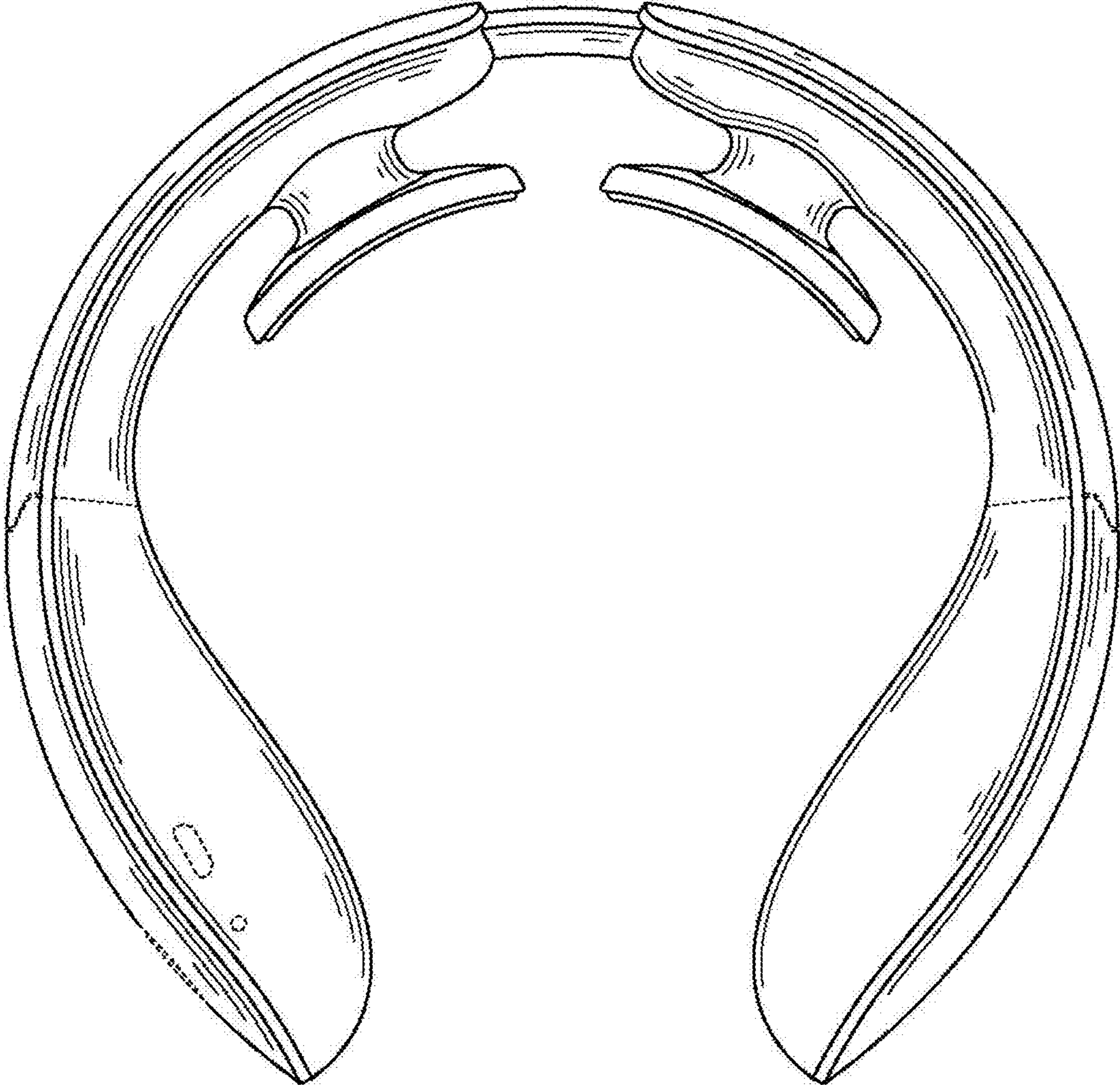


FIG. 4

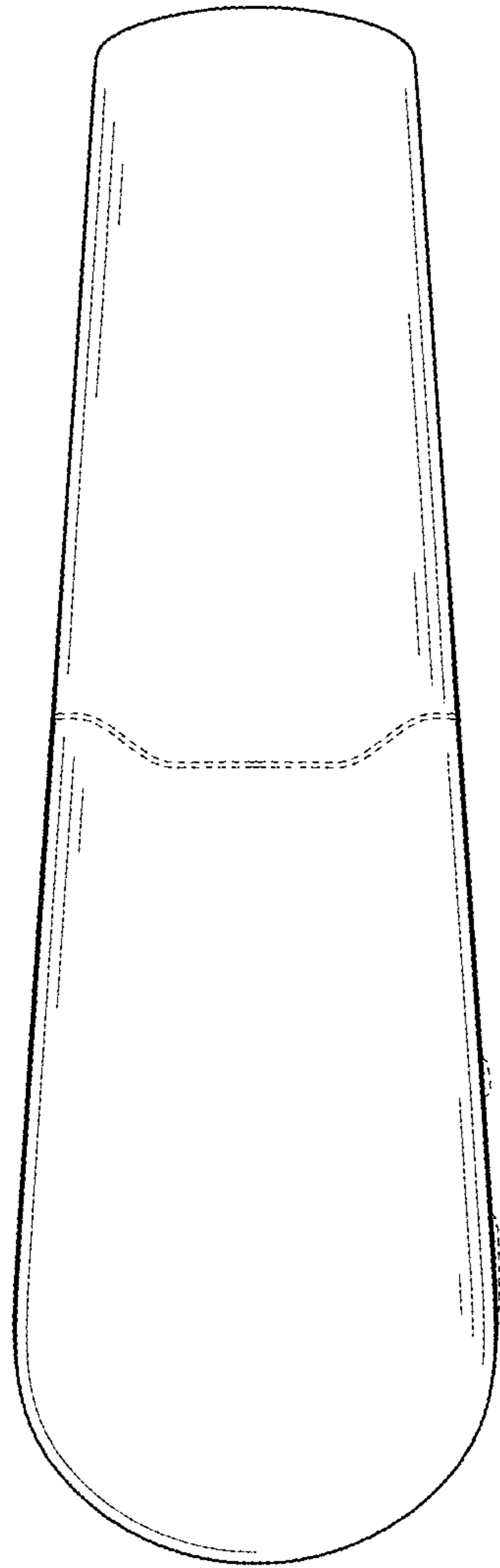


FIG. 5

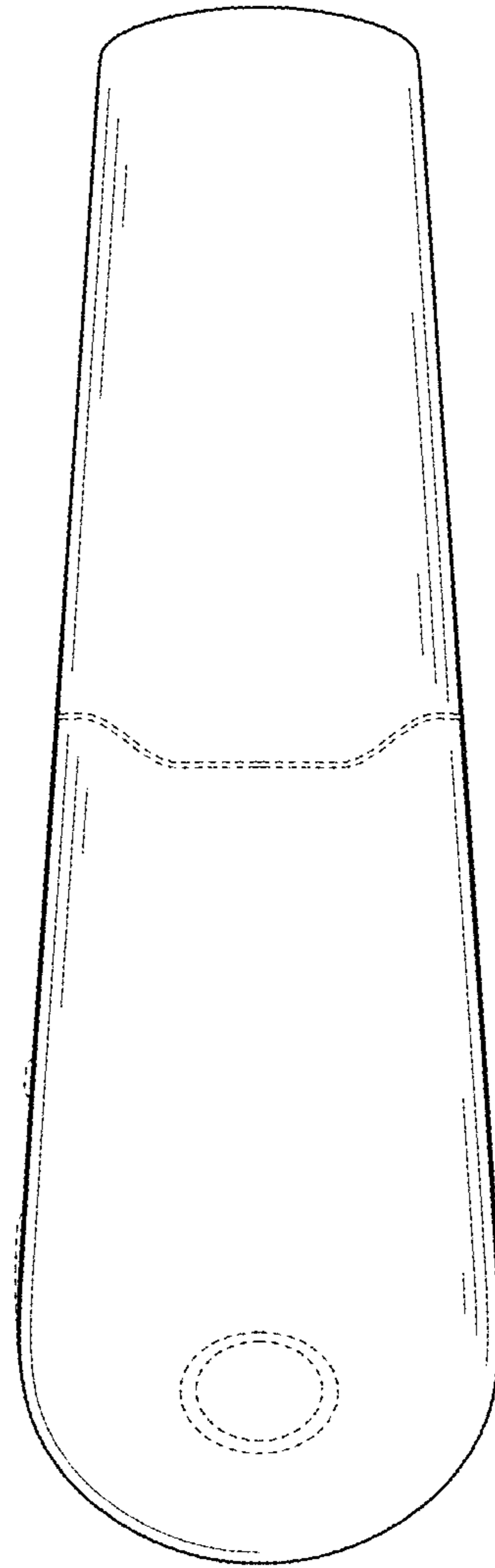


FIG. 6

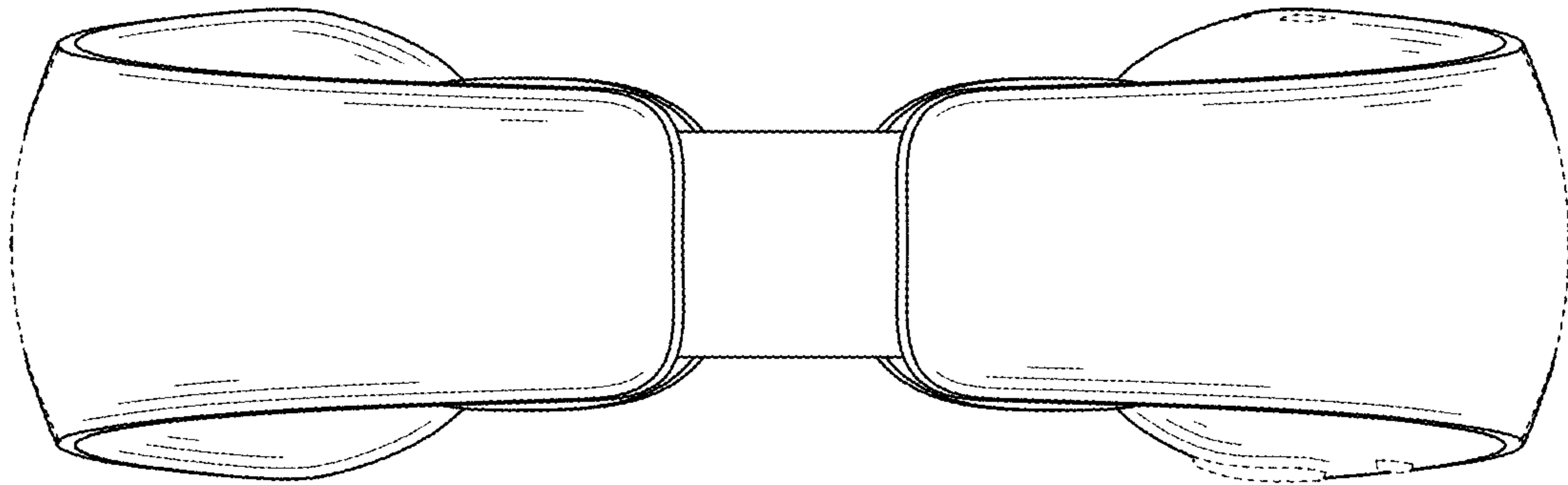


FIG. 7

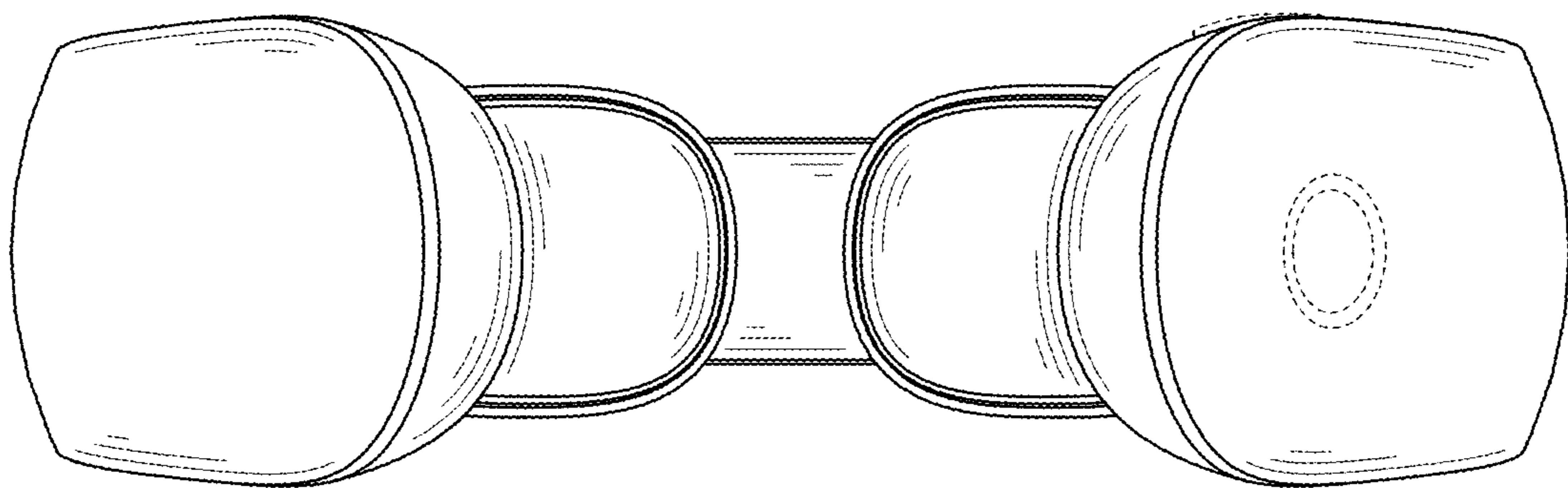


FIG. 8