



US00D989331S

(12) **United States Design Patent** (10) **Patent No.:** **US D989,331 S**
Shen (45) **Date of Patent:** **** Jun. 13, 2023**

(54) **GEL ICE HAT**

(71) Applicant: **Leyao Shen**, Shandong (CN)

(72) Inventor: **Leyao Shen**, Shandong (CN)

(**) Term: **15 Years**

(21) Appl. No.: **29/852,807**

(22) Filed: **Sep. 9, 2022**

(51) **LOC (14) Cl.** **24-04**

(52) **U.S. Cl.**
USPC **D24/206**

(58) **Field of Classification Search**
USPC D24/118, 189, 191, 200, 206-208;
D2/870, 878; D14/192; D16/301;
D28/41
CPC A61F 7/10; A61F 7/103; A61F 7/02; A61F
7/08; A61F 2007/0001; A61F 2007/0228;
A61F 2007/108; A61F 2007/023
See application file for complete search history.

(56) **References Cited**

U.S. PATENT DOCUMENTS

1,126,601	A *	1/1915	Whitmarsh	A61F 7/08
					607/114
1,511,775	A *	10/1924	Eugene	A61F 7/103
					607/110
2,320,467	A *	6/1943	Rabil	A61F 7/103
					607/110
D221,407	S *	8/1971	Bond	D24/191
D222,194	S *	10/1971	Basche	D29/112
D225,088	S *	11/1972	East	D24/207
3,780,379	A *	12/1973	Kampman	A61F 13/124
					2/15
D267,831	S *	2/1983	Sucato	D28/20
D273,043	S *	3/1984	Rusch	D24/207
D284,080	S *	6/1986	Swezey	D2/866
D287,420	S *	12/1986	Wada	D2/877
4,776,042	A *	10/1988	Hanson	A42B 1/008
					2/909

(Continued)

FOREIGN PATENT DOCUMENTS

GB 6243803 * 11/2022

OTHER PUBLICATIONS

[ComfiTECH Migraine Ice Head Wrap with Top Coverage Headache Relief Hat for Cranial Migraine Cap for Tension, Sinus Headache Cap Cold Therapy Migraine Hat Stress Relief (Black)], Amazon.com, Date First Available: Jun. 16, 2022 [online], Customer Review Oldest Date: Aug. 2, 2022 [online], site visited: [Dec. 12, 2022], URL: <https://www.amazon.com/dp/B0B4B13Q1Y/>. (Year: 2022).*

Primary Examiner — Jonathan J Han
Assistant Examiner — Amanda J Berlinski

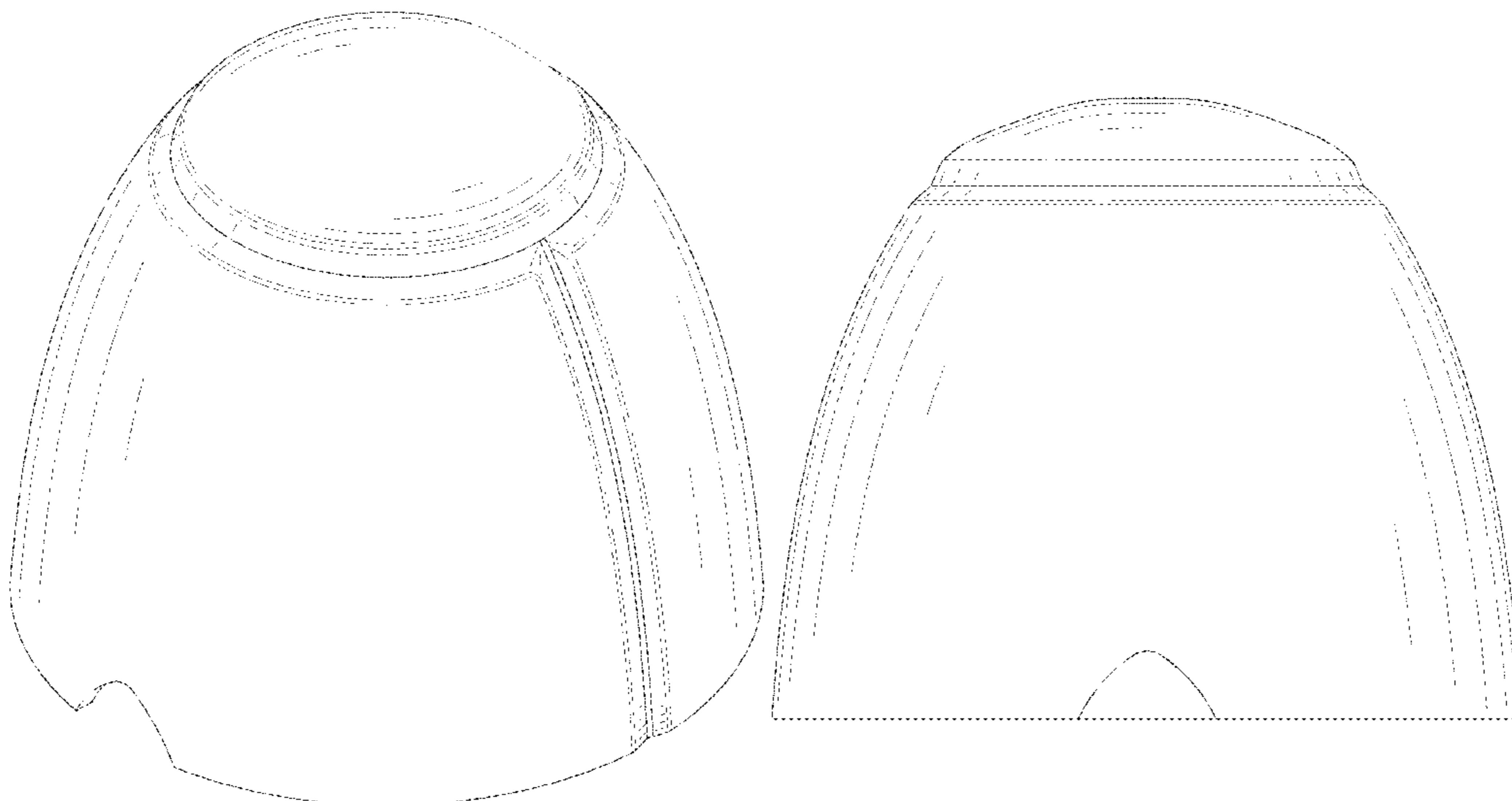
(57) **CLAIM**

The ornamental design for a gel ice hat, as shown and described.

DESCRIPTION

FIG. 1 is a front and top perspective view of a gel ice hat, showing my new design;
FIG. 2 is a rear and bottom perspective view thereof;
FIG. 3 is a front elevation view thereof;
FIG. 4 is a rear elevation view thereof;
FIG. 5 is a left side elevation view thereof;
FIG. 6 is a right side elevation view thereof;
FIG. 7 is a top plan view thereof;
FIG. 8 is a bottom plan view thereof;
FIG. 9 is a rear and top perspective view thereof, shown in a using position; and,
FIG. 10 is another front and top perspective view thereof, shown in a using position.
The broken lines in the figures illustrate portions of the gel ice hat that form no part of the claimed design. The broken lines showing of a human head in FIGS. 9 and 10 depict environmental structure that form no part of the claimed design.

1 Claim, 10 Drawing Sheets



(56)

References Cited

U.S. PATENT DOCUMENTS

D321,058 S *	10/1991	Dickinson	D24/207	D776,748 S *	1/2017	Linrothe	A61F 7/103
5,109,841 A *	5/1992	Hubbard	A61F 7/103					D16/301
				D24/207	D850,761 S *	6/2019	Anderson	D2/870
5,163,425 A *	11/1992	Nambu	A42B 1/008	10,737,055 B1 *	8/2020	Gadzey	A61F 7/08
				607/114	D936,235 S	11/2021	Li		
D369,866 S *	5/1996	Baughn	D24/206	D938,381 S *	12/2021	Li	D16/301
5,776,177 A *	7/1998	MacWhinnie	A61M 1/064	D943,753 S *	2/2022	Grygar	A61F 7/103
				128/890					D24/191
D417,282 S *	11/1999	Allen	D24/207	D959,403 S *	8/2022	Li	D14/205
D465,234 S *	11/2002	Gordon	D16/301	D964,958 S *	9/2022	Xiao	D14/192
D529,617 S *	10/2006	Fontanez Acevedo	D24/207	D971,870 S *	12/2022	Li	A61F 7/08
D582,045 S *	12/2008	James	A47C 7/383					D2/866
				D6/601	D972,815 S *	12/2022	Wang	D29/108
D731,759 S *	6/2015	Sanchez-Guitard Lopez-			D978,363 S *	2/2023	Hou	A61B 5/7445
		Valera						D24/206
					D980,181 S *	3/2023	Li	D2/866
D757,931 S *	5/2016	Pulie	A47C 7/383	D980,993 S *	3/2023	Zhang	D24/207
				D24/118	11,596,193 B1 *	3/2023	Abood	A61B 5/7445
					2020/0029670 A1 *	1/2020	Acosta	B32B 3/02
					2021/0106069 A1 *	4/2021	Aiello	A61F 13/72

* cited by examiner



FIG. 1

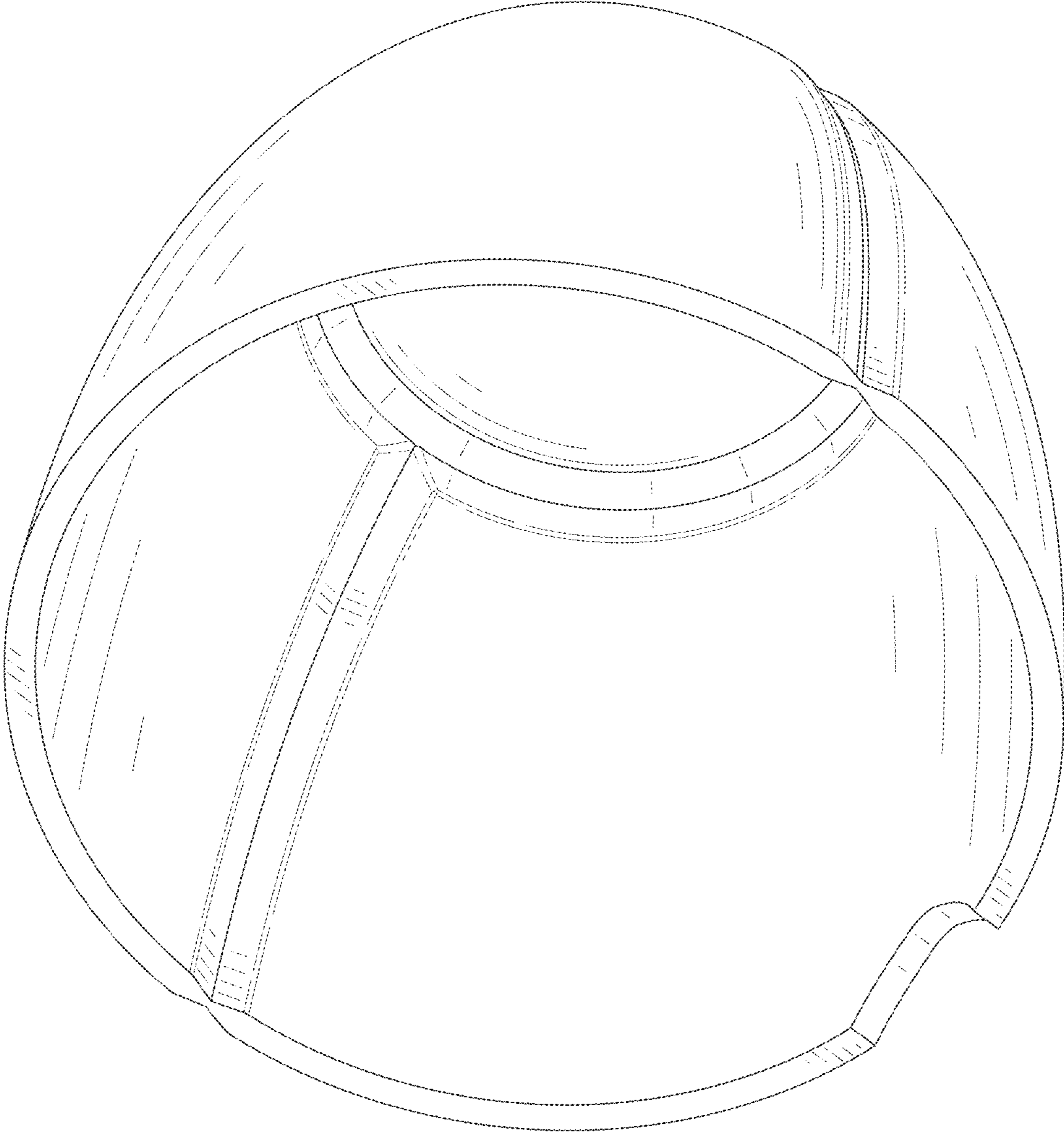


FIG. 2

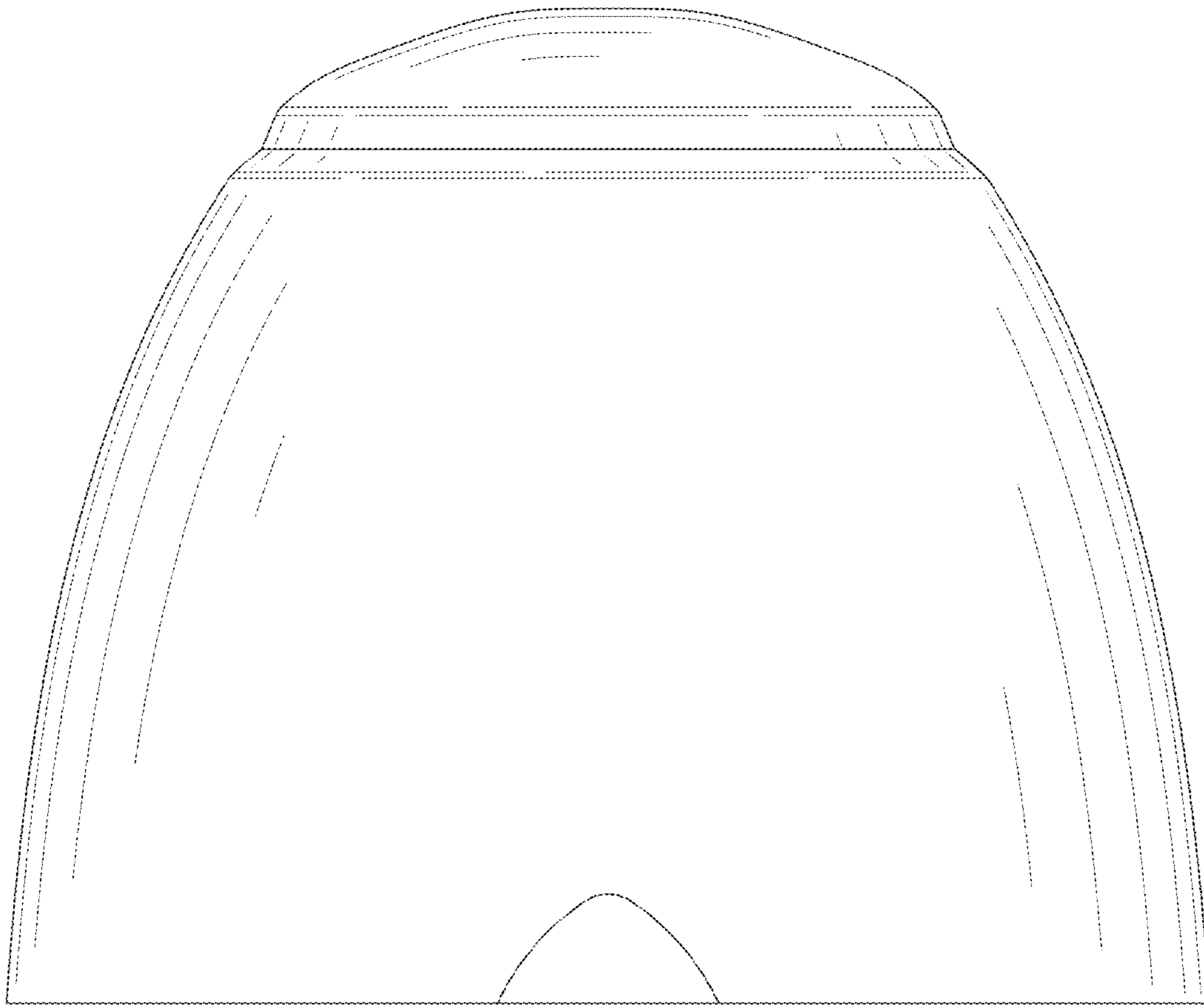


FIG. 3

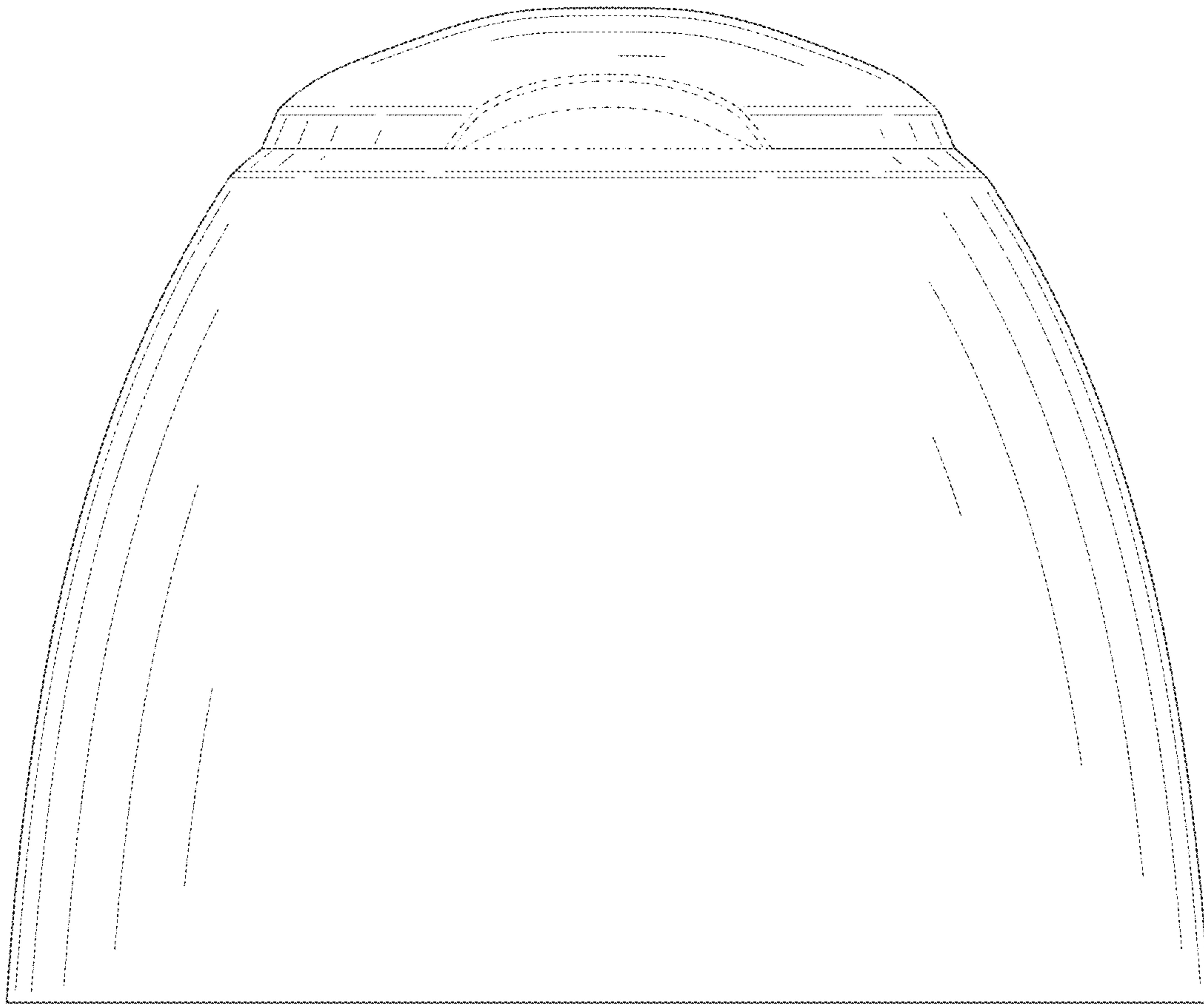


FIG. 4

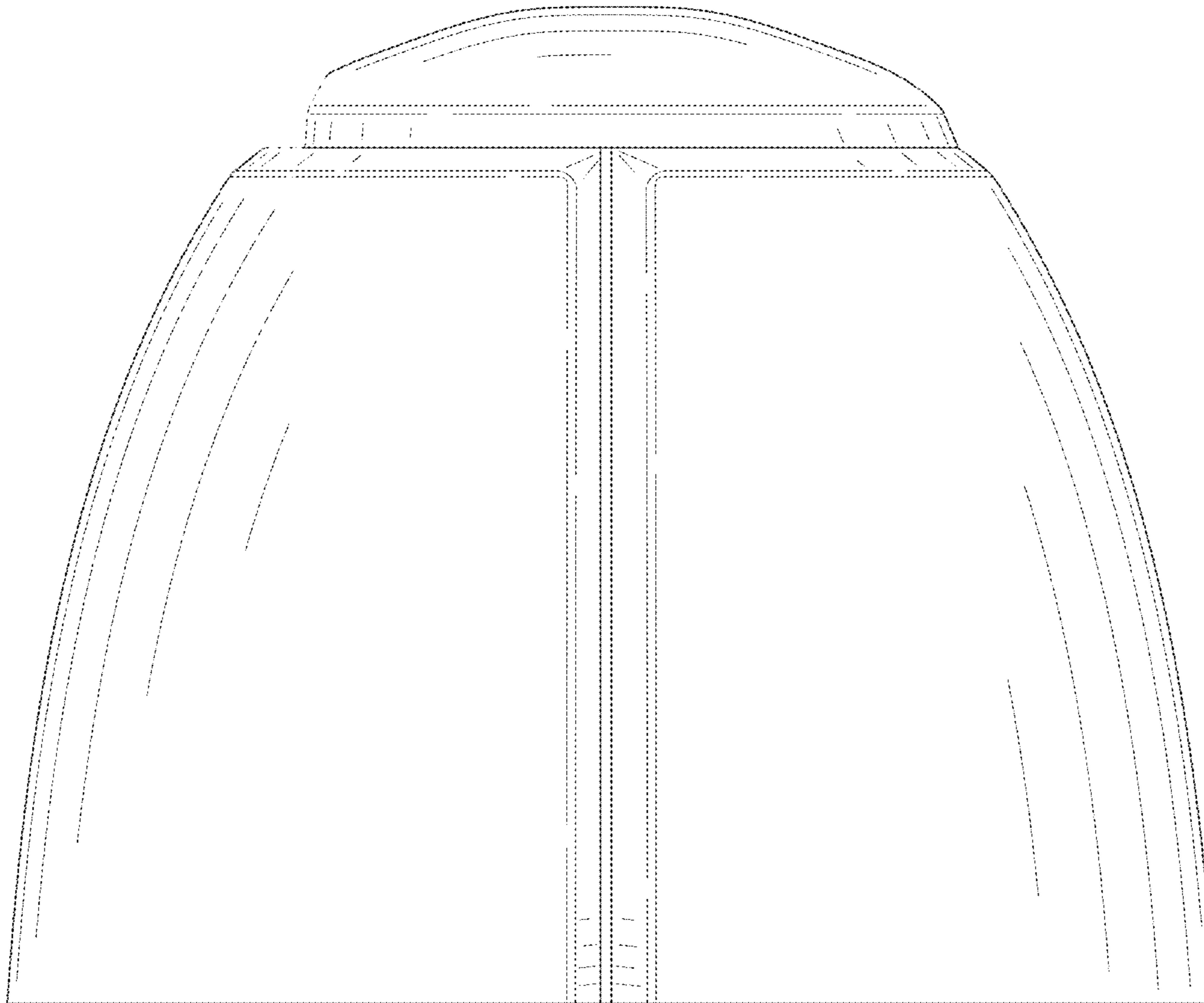


FIG. 5

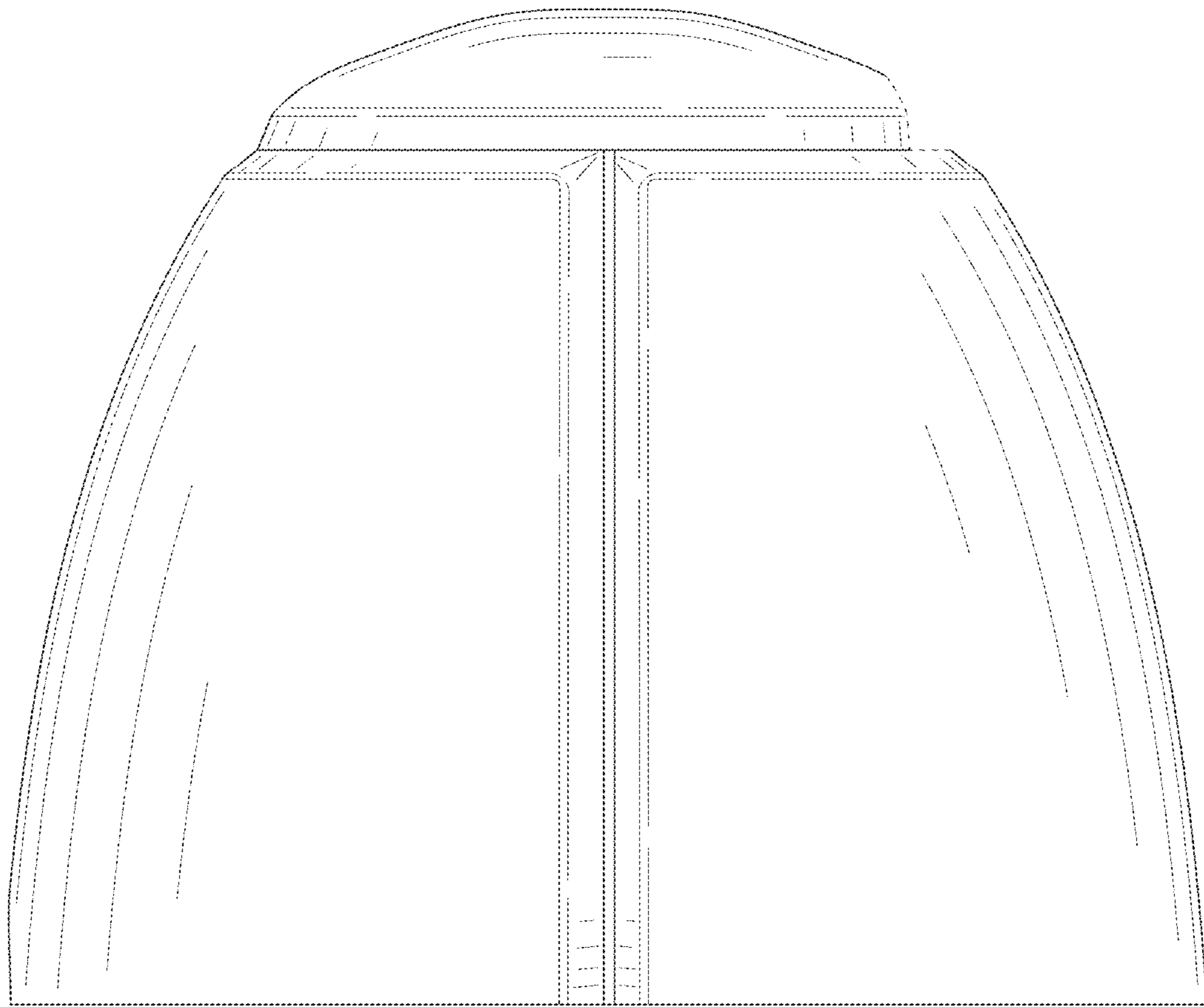


FIG. 6

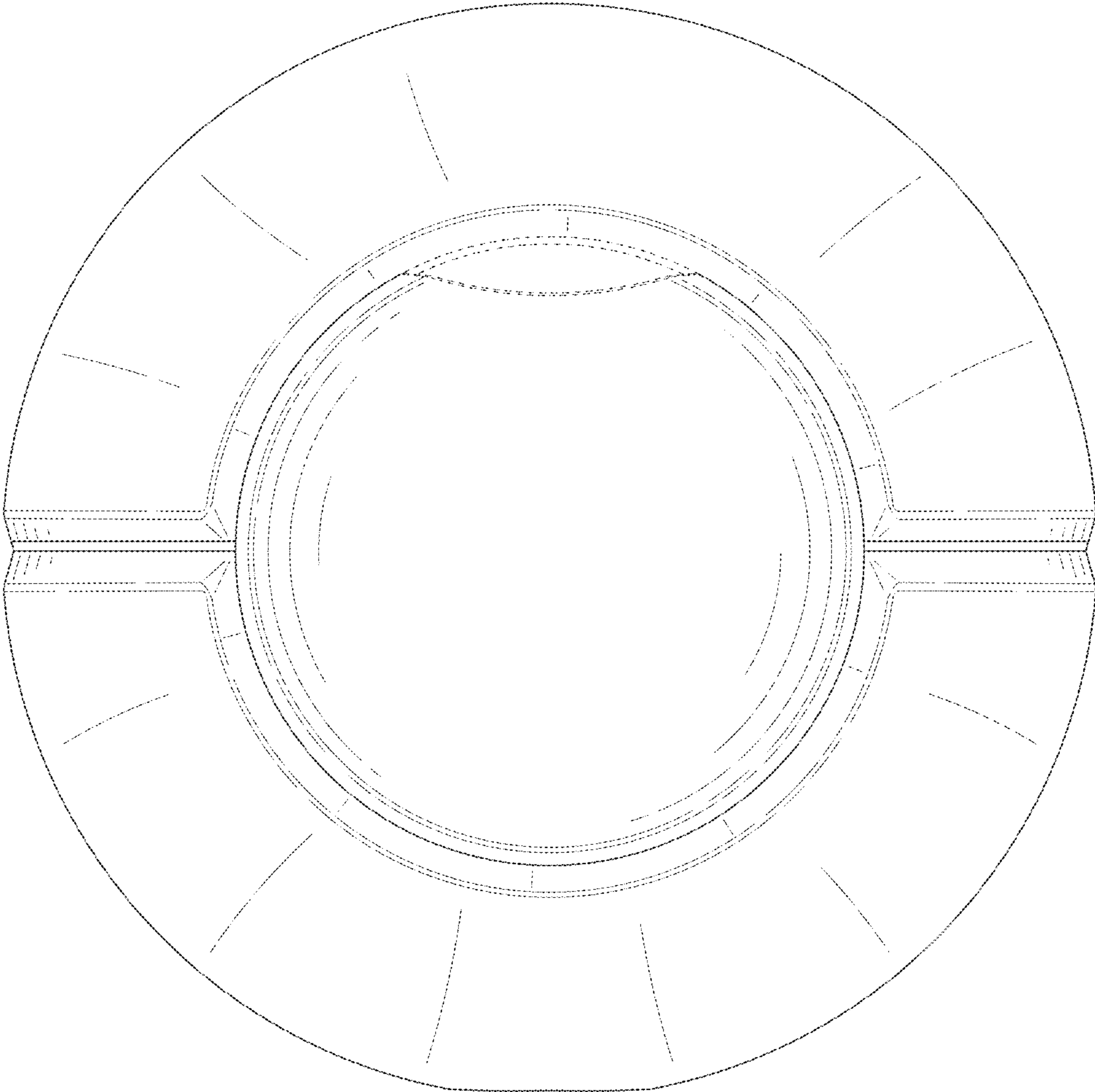


FIG. 7

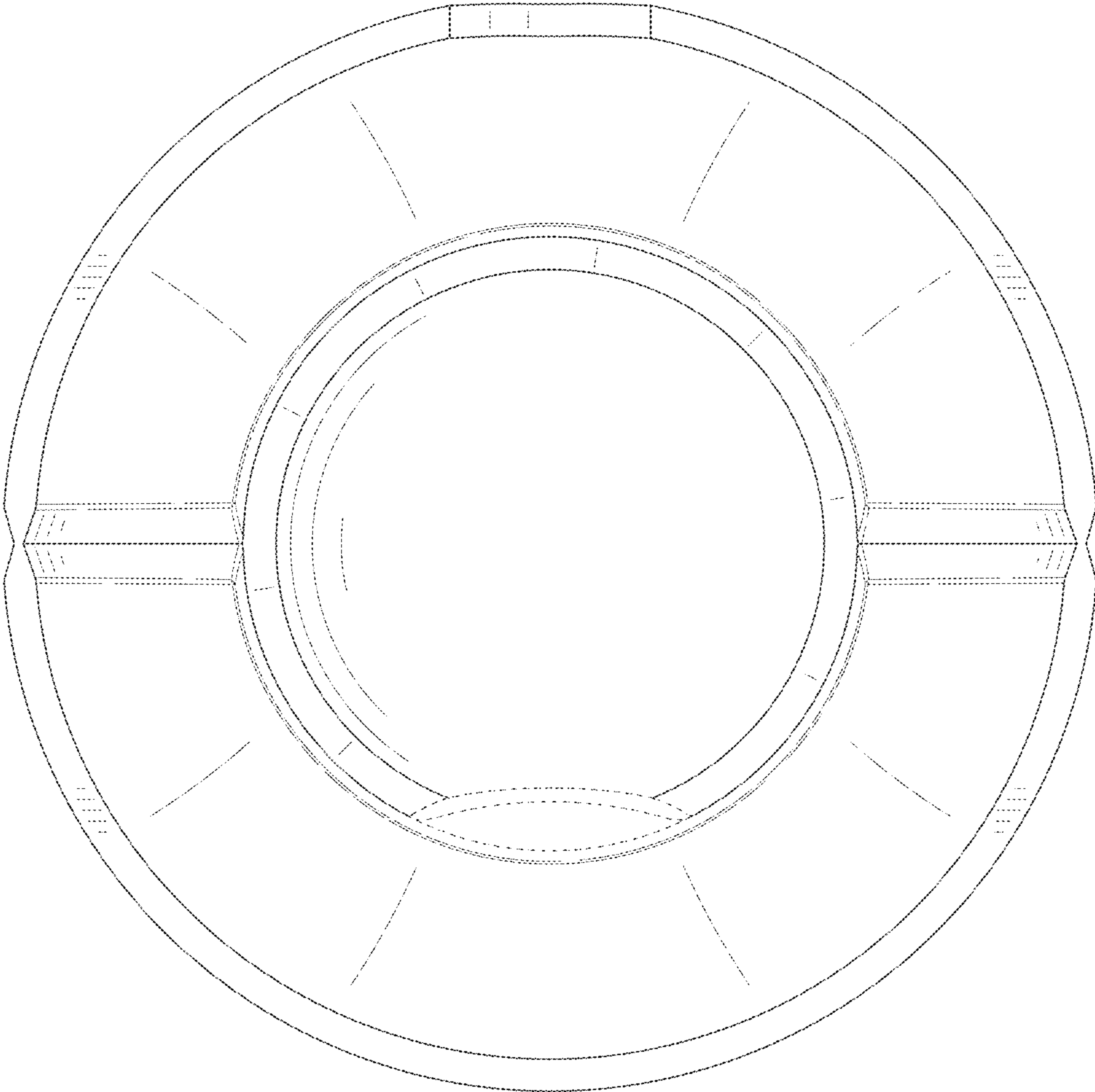


FIG. 8

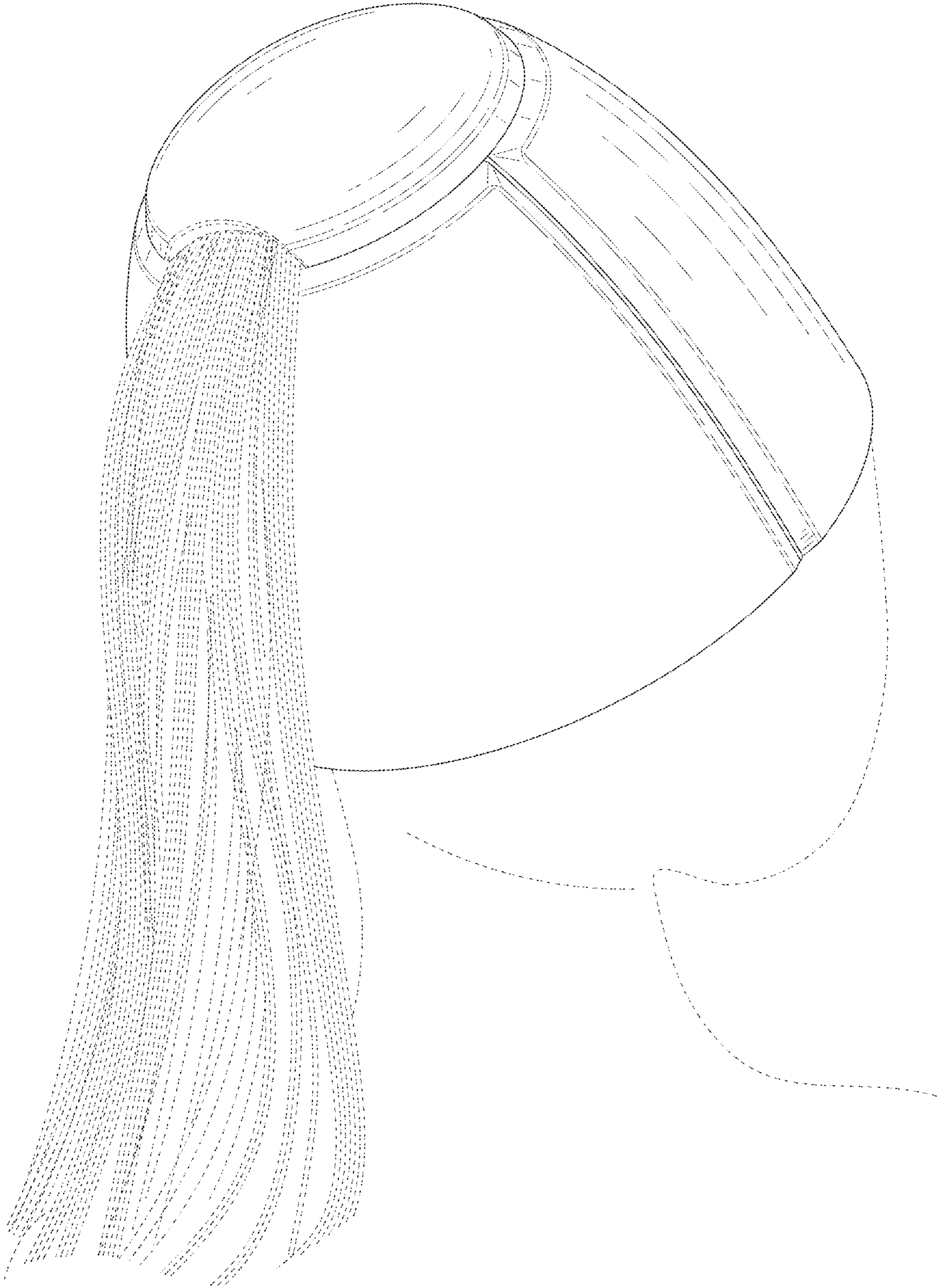


FIG. 9

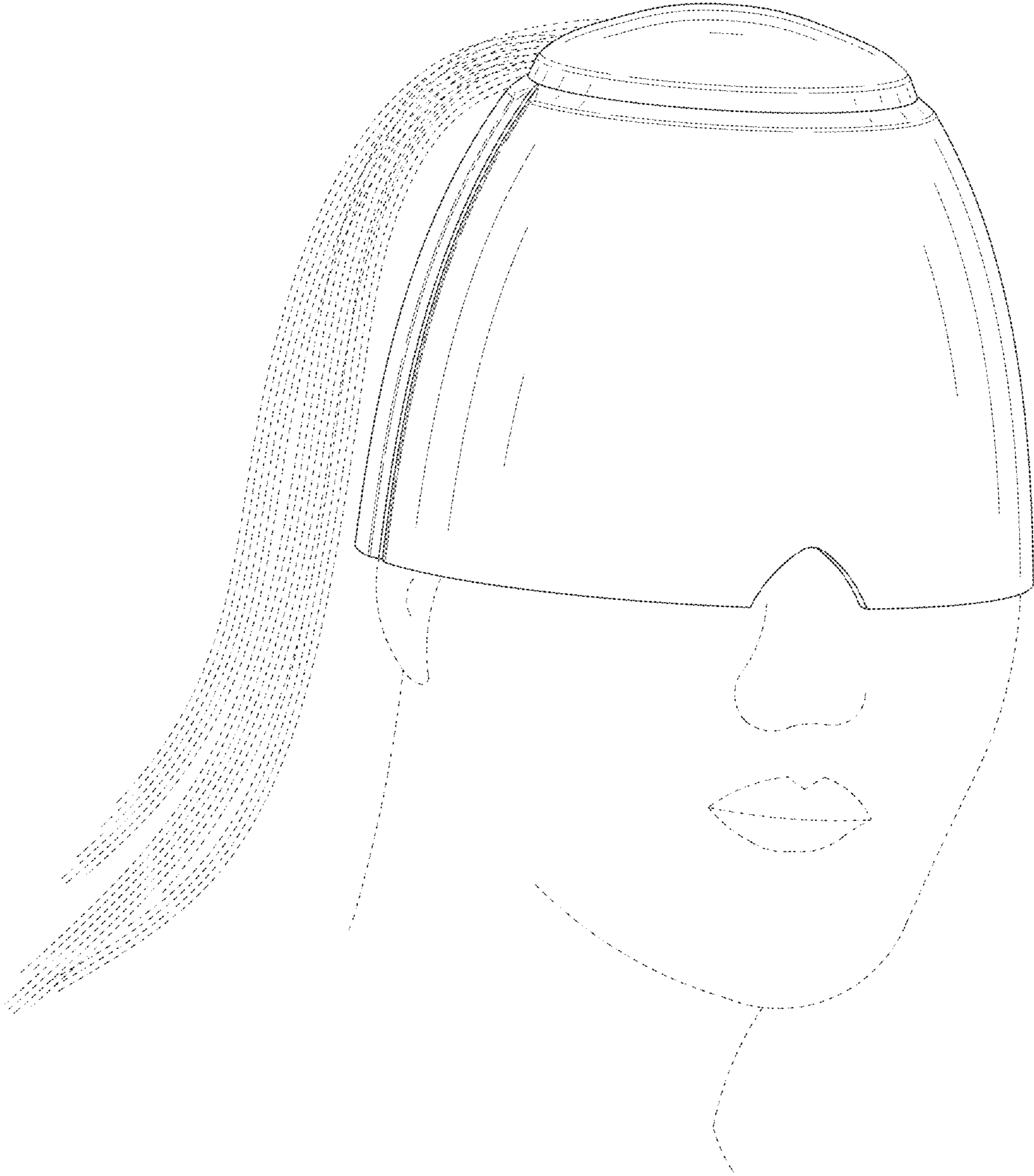


FIG. 10