



US00D989329S

(12) **United States Design Patent**  
**Oh**

(10) **Patent No.:** **US D989,329 S**  
(45) **Date of Patent:** **\*\* Jun. 13, 2023**

(54) **SKIN CARE DEVICE**

(71) Applicant: **SOOVON CO., LTD.**, Incheon (KR)

(72) Inventor: **Kyoung Hee Oh**, Goyang-si (KR)

(73) Assignee: **SOOVON CO., LTD.**, Incheon (KR)

(\*\*) Term: **15 Years**

(21) Appl. No.: **29/777,515**

(22) Filed: **Apr. 6, 2021**

(30) **Foreign Application Priority Data**

Mar. 25, 2021 (KR) ..... 30-2021-0014434

(51) **LOC (14) Cl.** ..... **24-01**

(52) **U.S. Cl.**  
USPC ..... **D24/200**

(58) **Field of Classification Search**  
USPC ..... D24/200, 214–215, 209–210  
CPC ..... A61F 2007/0052; A61F 2007/0087; A61F  
7/00; A61F 2007/0001; A61F 7/007;  
A61N 5/0616; A61N 5/0613; A61N  
2005/0644

See application file for complete search history.

(56) **References Cited**

**U.S. PATENT DOCUMENTS**

- 7,384,405 B2 \* 6/2008 Rhoades ..... A61N 5/0616  
601/138
- D771,389 S \* 11/2016 Since ..... D24/200
- D829,333 S \* 9/2018 Shin ..... D24/209
- D863,571 S \* 10/2019 Yang ..... D24/200
- D925,758 S \* 7/2021 Xu ..... D24/215
- D949,389 S \* 4/2022 Ying ..... D24/215
- D950,753 S \* 5/2022 Zhang ..... D24/215

- D953,556 S \* 5/2022 Marton ..... D24/215
- 2006/0058714 A1 \* 3/2006 Rhoades ..... A61N 5/0616  
601/72
- 2020/0100934 A1 \* 4/2020 Ariano ..... A61F 7/00
- 2022/0047412 A1 \* 2/2022 Oh ..... A61F 7/00

**OTHER PUBLICATIONS**

Soovon “skin therapy device”. Retrieved on Jul. 19, 2022. Retrieved from the Internet <<http://en.soovon.com/skintherapy/>>.\*

\* cited by examiner

*Primary Examiner* — Wan Laymon

(74) *Attorney, Agent, or Firm* — Goldilocks Zone IP Law

(57) **CLAIM**

The ornamental design for a skin care device, as shown and described.

**DESCRIPTION**

FIG. 1 is a perspective view of a skin care device, showing my new design;  
 FIG. 2 is a front view thereof;  
 FIG. 3 is a rear view thereof;  
 FIG. 4 is a left-side view hereof;  
 FIG. 5 is a right-side view thereof;  
 FIG. 6 is a top plan view shown at an enlarged scale thereof;  
 FIG. 7 is a bottom plan view shown at an enlarged scale thereof;  
 FIG. 8 is a perspective view of the skin care device with a charger shown in an environment; and,  
 FIG. 9 is a partially enlarged view of FIG. 1.  
 The broken lines in the drawings are included for the purpose of illustrating portions and environmental elements of the skin care device and form no part of the claimed design.

**1 Claim, 9 Drawing Sheets**

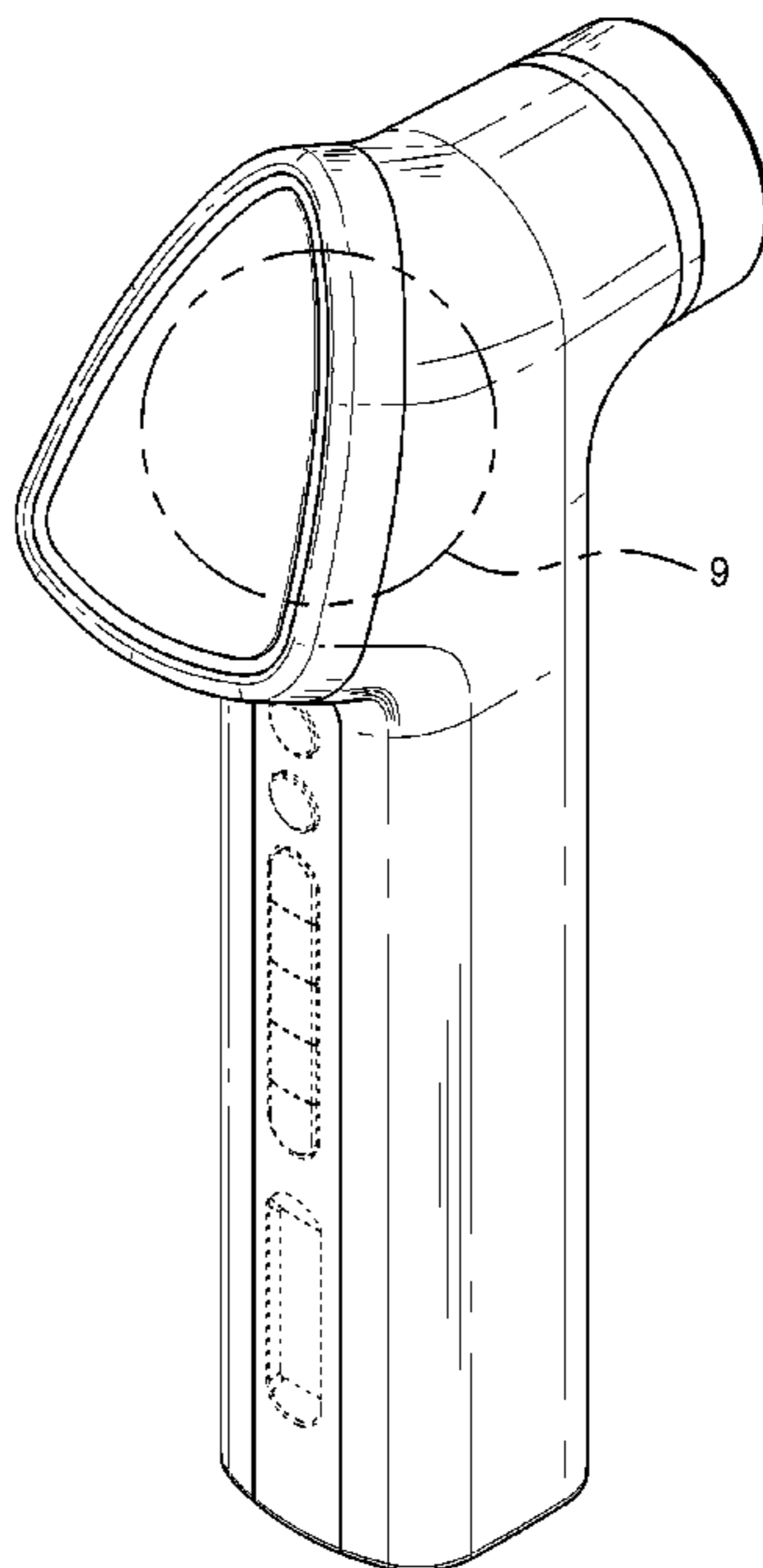


FIG. 1

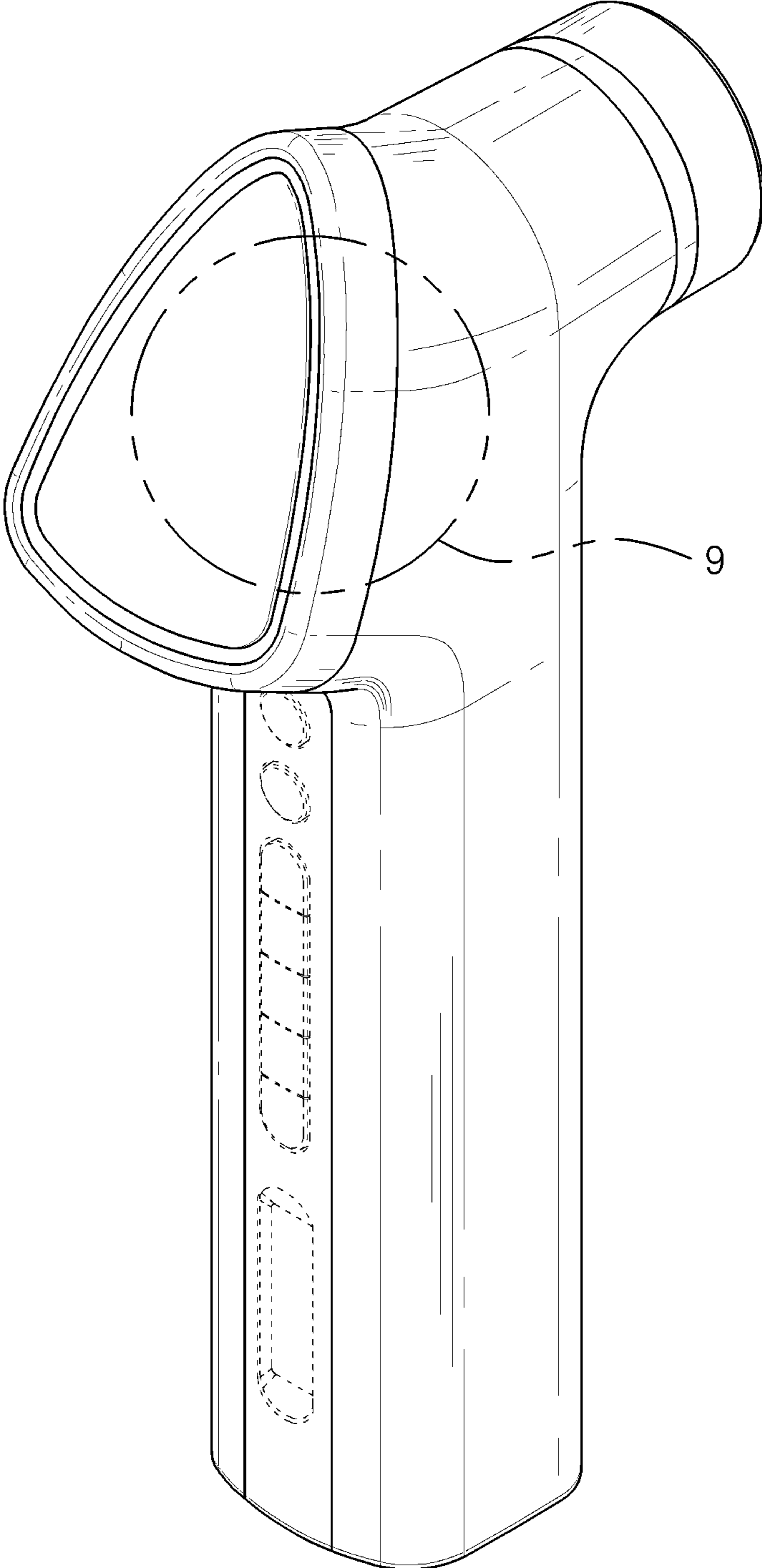


FIG. 2

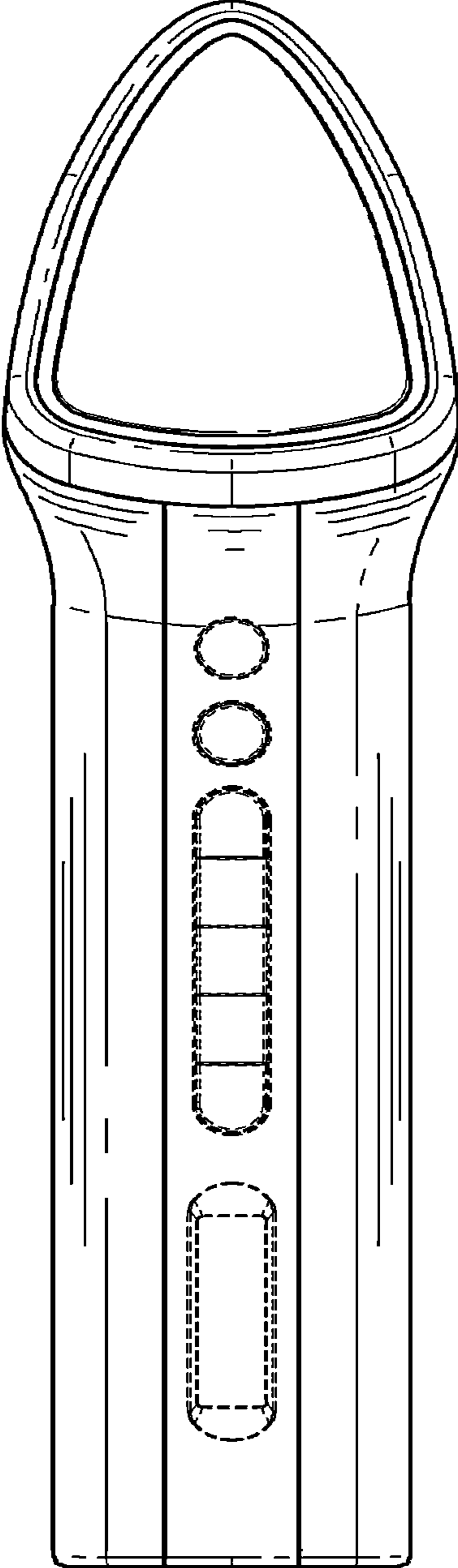


FIG. 3

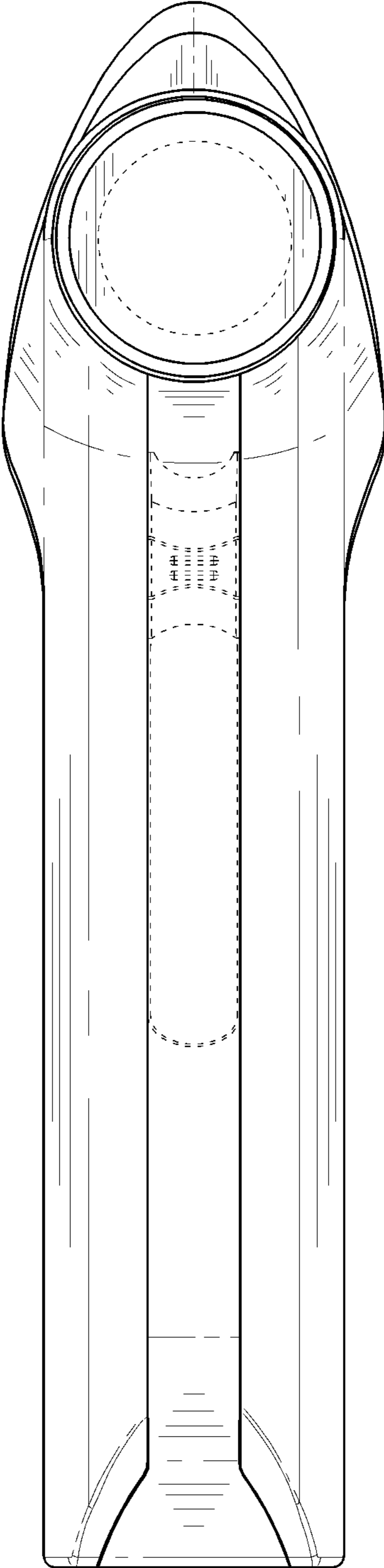


FIG. 4

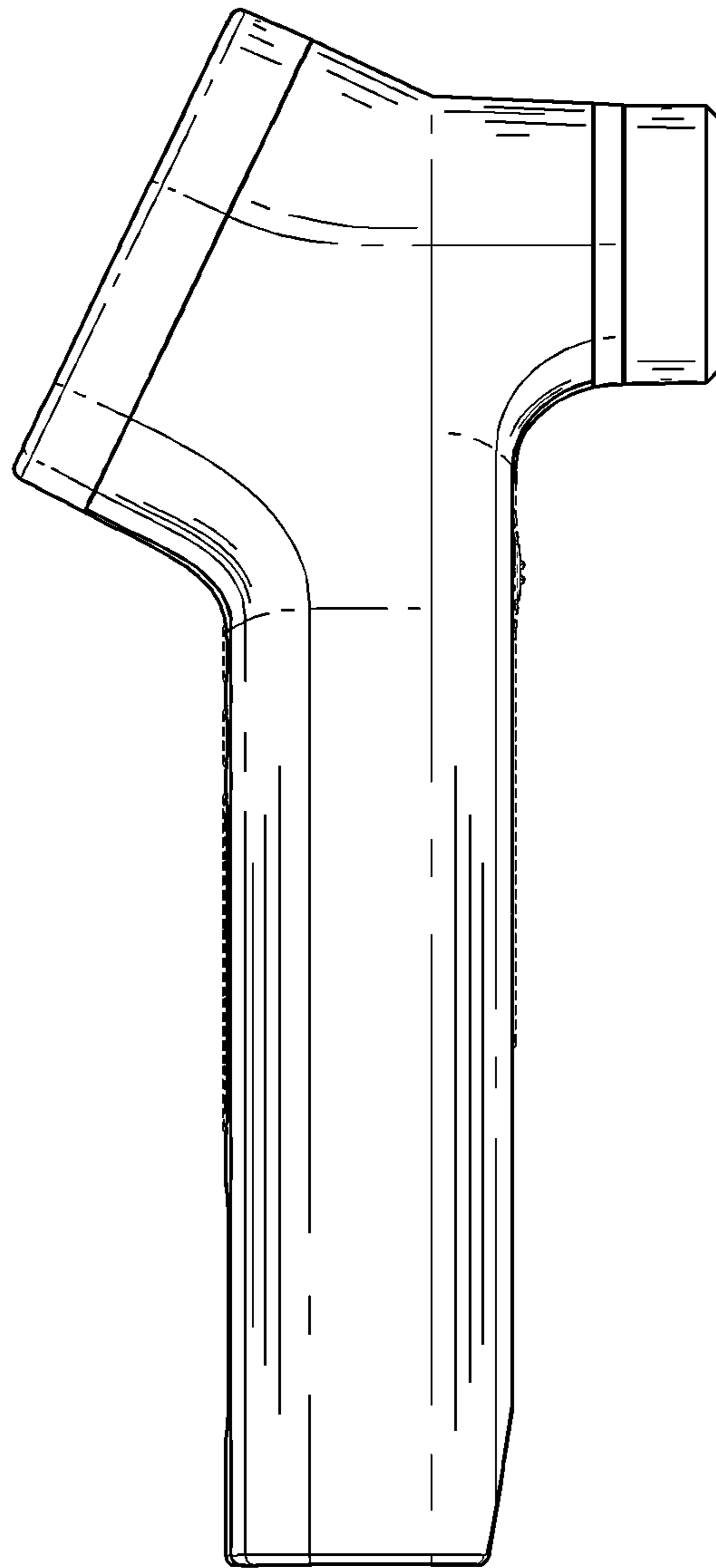


FIG. 5

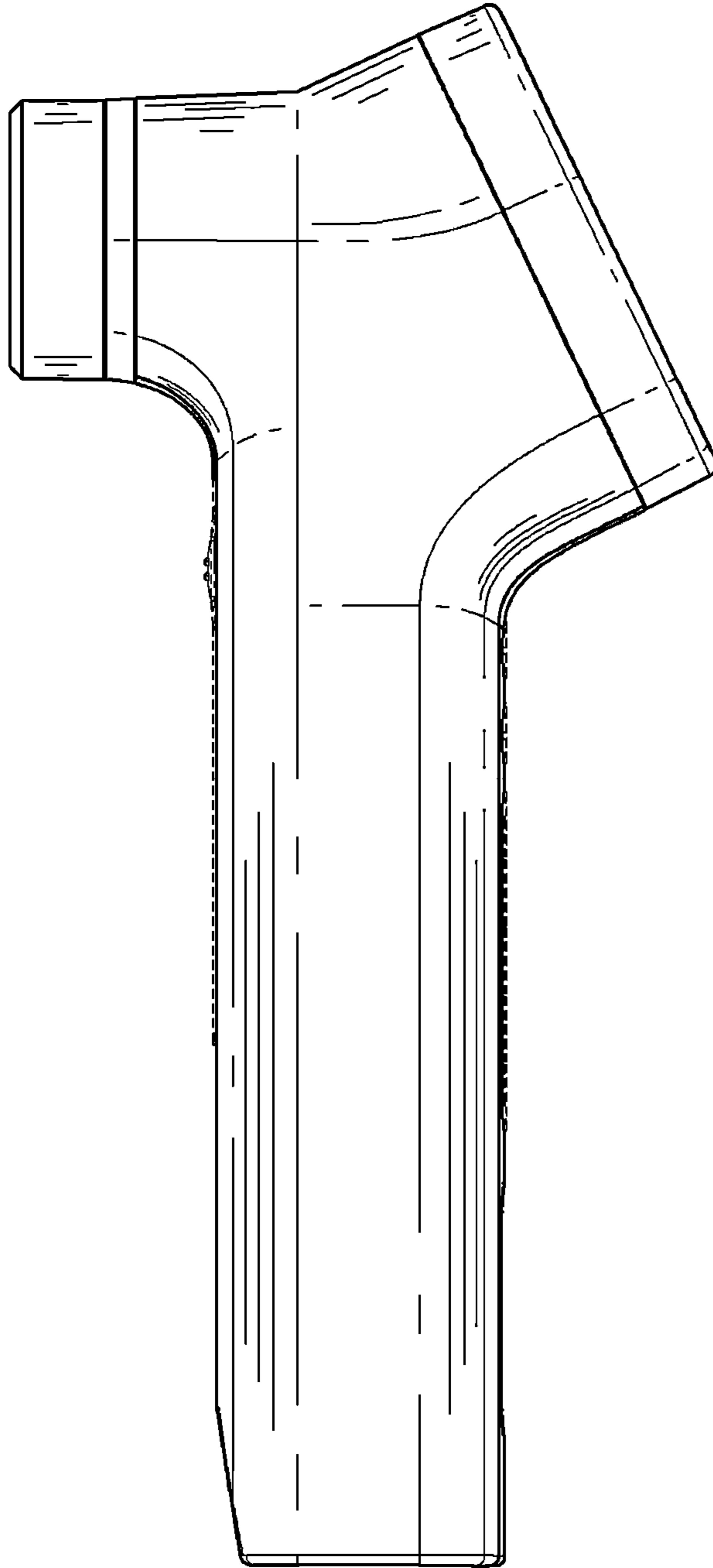


FIG. 6

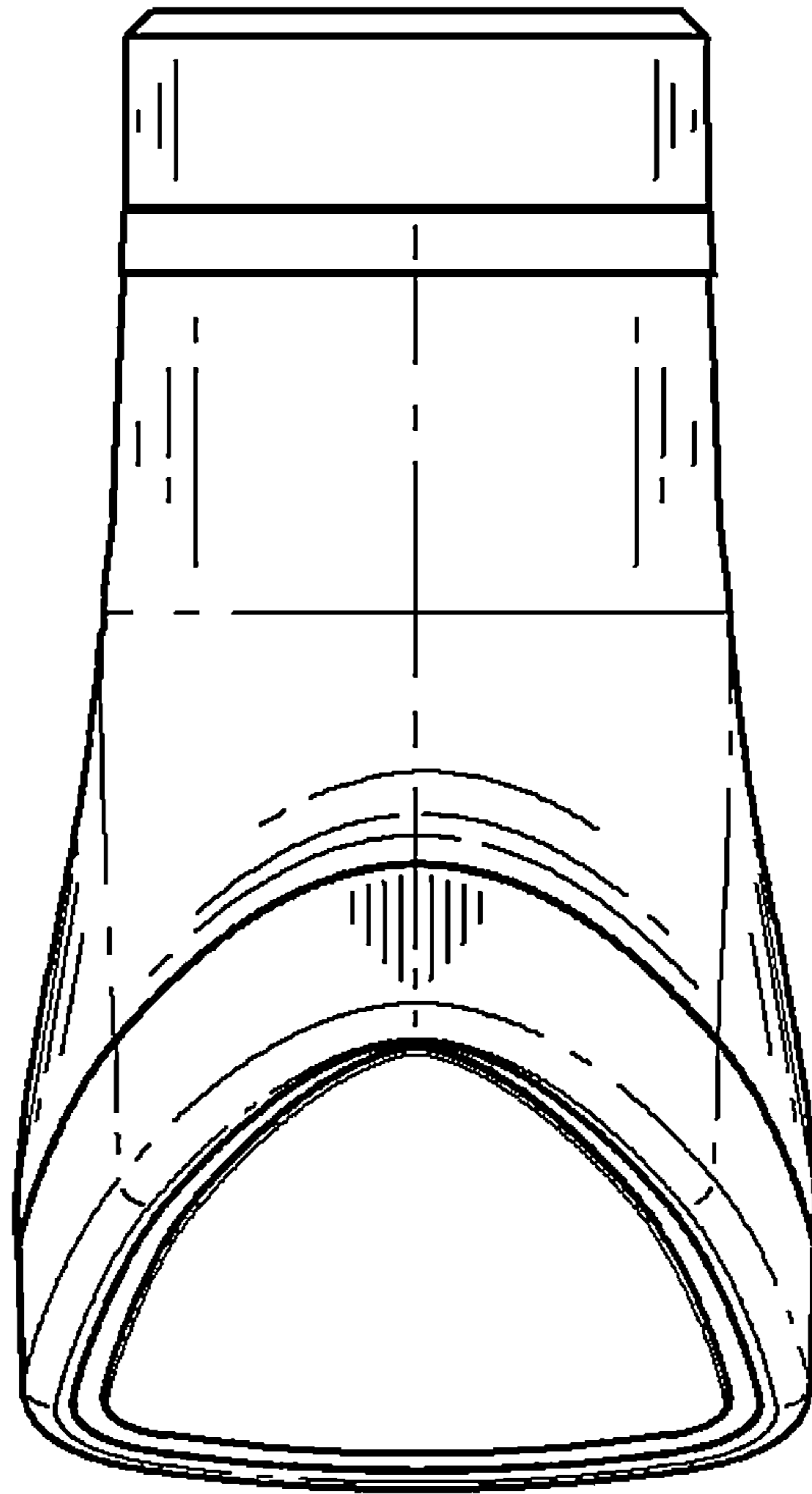


FIG. 7

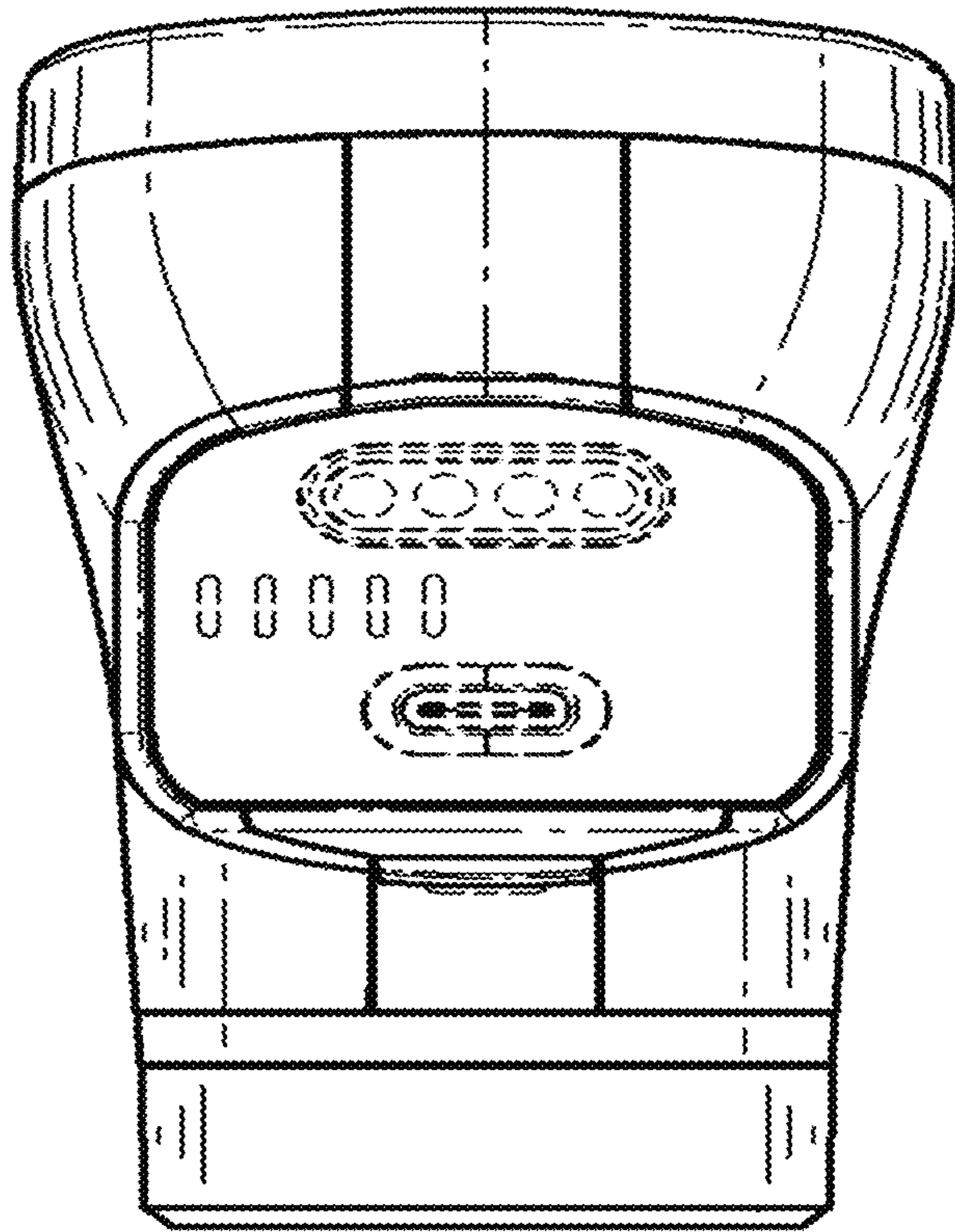




FIG. 8

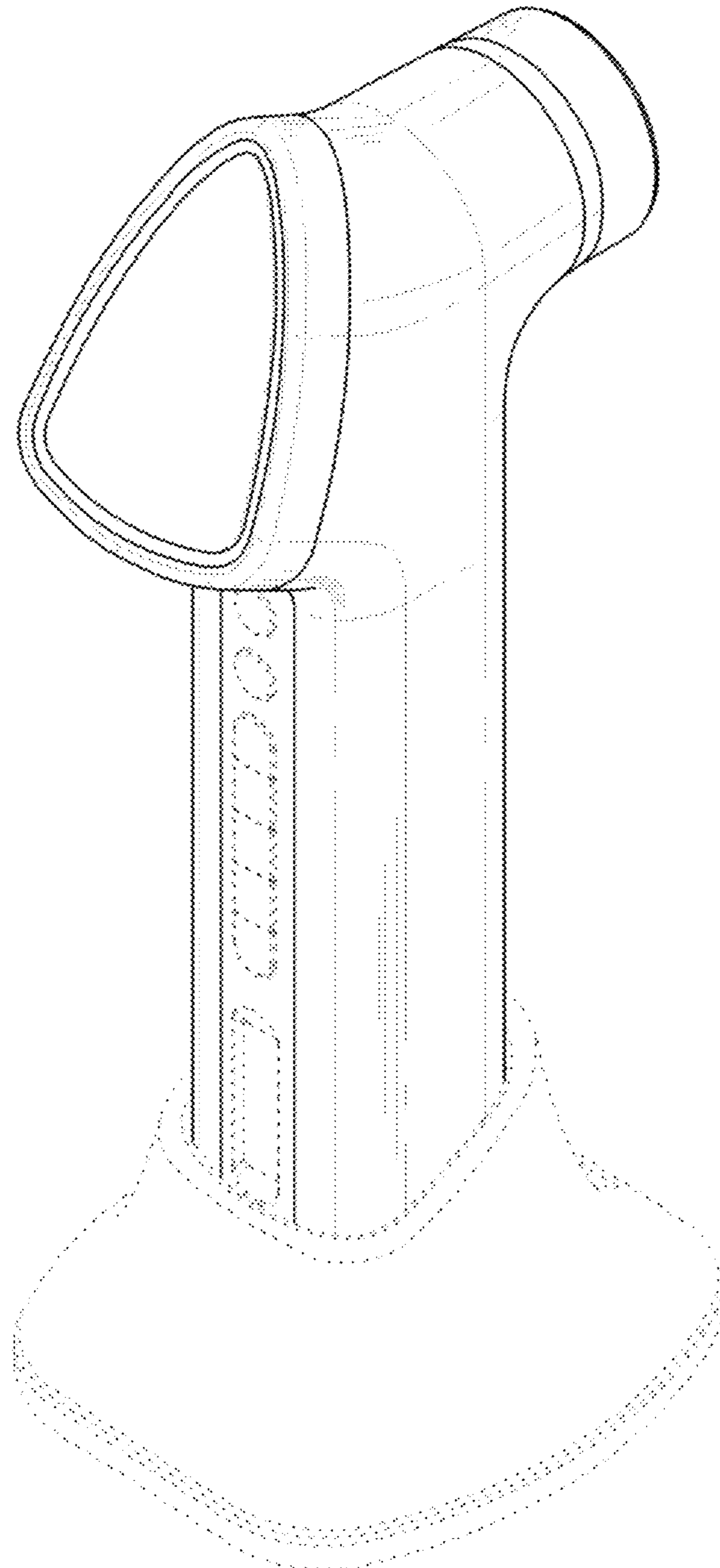


FIG. 9

