



US00D989328S

(12) **United States Design Patent**
Paulus

(10) **Patent No.:** **US D989,328 S**
(45) **Date of Patent:** **** Jun. 13, 2023**

(54) **NURSING NIPPLE ASSEMBLY**

- (71) Applicant: **Benjamin Paulus**, Kirkland, WA (US)
- (72) Inventor: **Benjamin Paulus**, Kirkland, WA (US)
- (**) Term: **15 Years**
- (21) Appl. No.: **29/817,482**
- (22) Filed: **Dec. 1, 2021**
- (51) **LOC (14) Cl.** **24-04**
- (52) **U.S. Cl.**
USPC **D24/196**
- (58) **Field of Classification Search**
USPC D24/193, 194, 195, 196, 197, 198, 199
CPC A61J 11/00; A61J 11/0035; A61J 11/0075
See application file for complete search history.

(56) **References Cited**

U.S. PATENT DOCUMENTS

2,720,328	A *	10/1955	Clemens	A61J 11/02 215/11.5
2,760,665	A *	8/1956	Zenker	A61J 11/00 215/11.1
5,316,160	A *	5/1994	Cautereels	A61J 11/04 215/11.1
D356,871	S *	3/1995	Dunn	D24/197
D412,582	S *	8/1999	Morano	D24/197
D463,568	S *	9/2002	Leung	D24/197
D725,787	S *	3/2015	Brown	D24/194
D739,539	S *	9/2015	Khachikian	
D848,628	S *	5/2019	Reed	D24/196
2003/0093121	A1 *	5/2003	Randolph	A61J 11/0035 606/236
2003/0106872	A1 *	6/2003	Lin	A61J 11/02 215/11.5
2004/0124168	A1 *	7/2004	Silver	A61J 11/006 215/11.1
2005/0263475	A1 *	12/2005	Carlson	A61J 11/00 215/11.1
2009/0255895	A1 *	10/2009	Kiehne	A61J 11/001 215/11.5

OTHER PUBLICATIONS

“Medela: Infant Bottle with Slow Flow Teat”. Found online Mar. 1, 2018 at amazon.co.uk. Reference dated Jun. 10, 2010. Retrieved from <https://www.amazon.co.uk/Medela-Breastmilk-Bottle-Slow-Flow/dp/B003R7J90A/>.*

(Continued)

Primary Examiner — Kendra Leslie Hamilton
(74) *Attorney, Agent, or Firm* — Walker Griffin Weitzel;
Alloy Patent Law

(57) **CLAIM**

The ornamental design for a nursing nipple assembly, substantially as shown and described.

DESCRIPTION

FIG. 1 is a bottom, side perspective view of a nursing nipple assembly, shown in a first configuration with the nursing nipple outwardly disposed;

FIG. 2 is a top, side perspective view of the nursing nipple assembly, shown in a second configuration with the nursing nipple inwardly disposed;

FIG. 3 is a top, side perspective view of the nursing nipple assembly, shown exploded for clarity of disclosure;

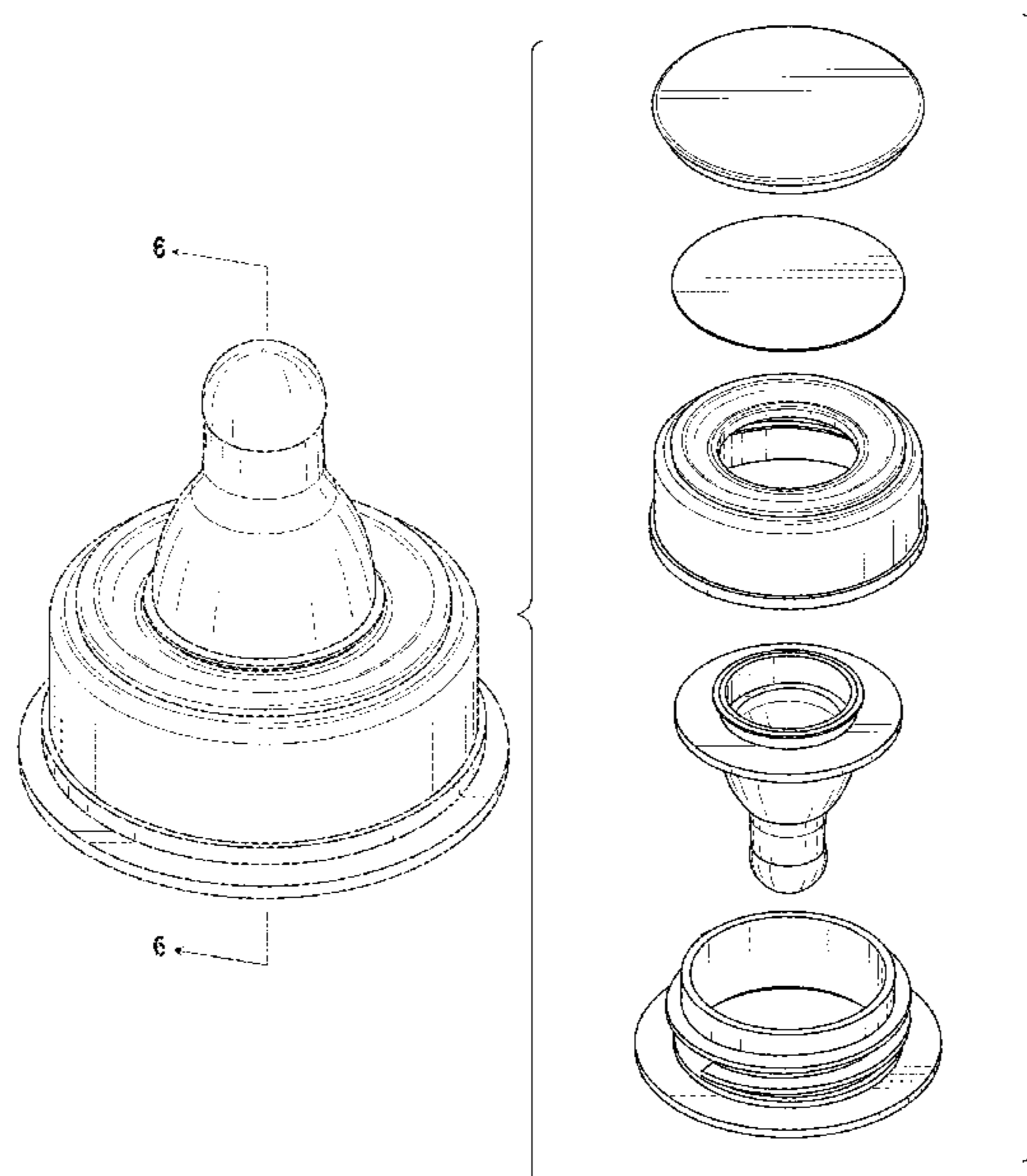
FIG. 4 is a top plan view of the nursing nipple assembly, shown in the second configuration;

FIG. 5 is a sectional elevation of the nursing nipple assembly, taken along line 5-5 of FIG. 4;

FIG. 6 is a sectional elevation of the nursing nipple assembly, shown in a third configuration with the collar cap and disc insert removed for clarity of disclosure taken along line 6-6 of FIG. 1; and,

FIG. 7 is an elevation view of detail “7”, identified in FIG. 5 and shown enlarged for clarity of disclosure.

1 Claim, 7 Drawing Sheets



(56)

References Cited

OTHER PUBLICATIONS

“Born Free: Decorated Bottle Gift Set”. Found online Feb. 28, 2023 at amazon.com. Reference dated Dec. 10, 2012. Retrieved from <https://www.amazon.com/BPA-Free-Decorated-Bottle-Gift-Set/dp/B007QWOE70/>.*

“Evenflo: Classic Glass Bottle”. Found online Aug. 17, 2016 at toysrus.com. Reference dated Jan. 28, 2014. Retrieved from <http://www.toysrus.com/buy/bottles-sizes-8-11-oz/evenflo-feeding-classic-glass-vented-8-ounce-bottle-3-pack-1028311-30639676>.*

“NUK: (Gerber) First Essential Nipple, Slow-Flow”. Found online May 23, 2018 at amazon.in. Reference dated Feb. 18, 2018. Retrieved from <https://www.amazon.in/Gerber-First-Essential-Silicone-Nipples/dp/B00155WJRG/>.*

* cited by examiner

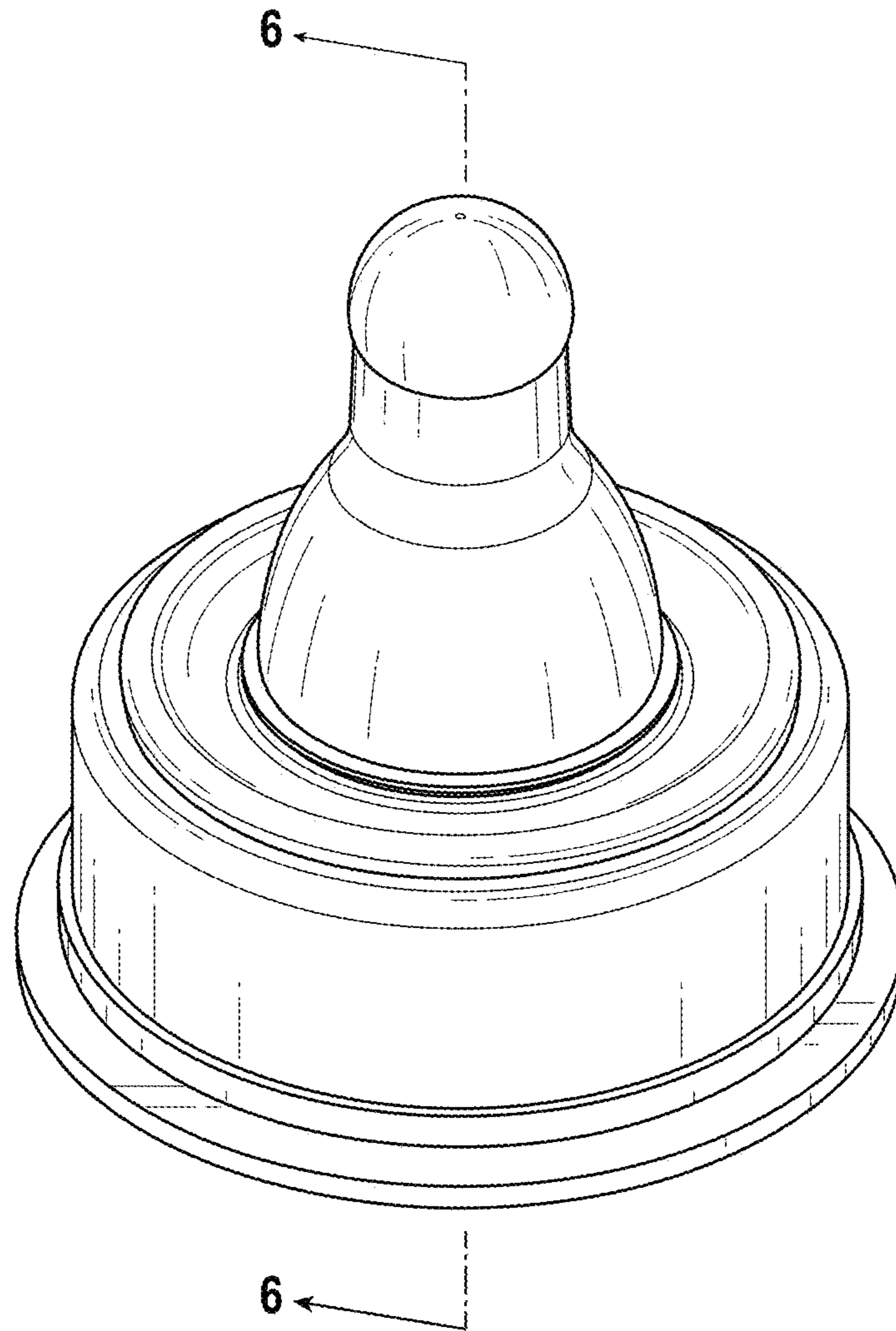


FIG. 1

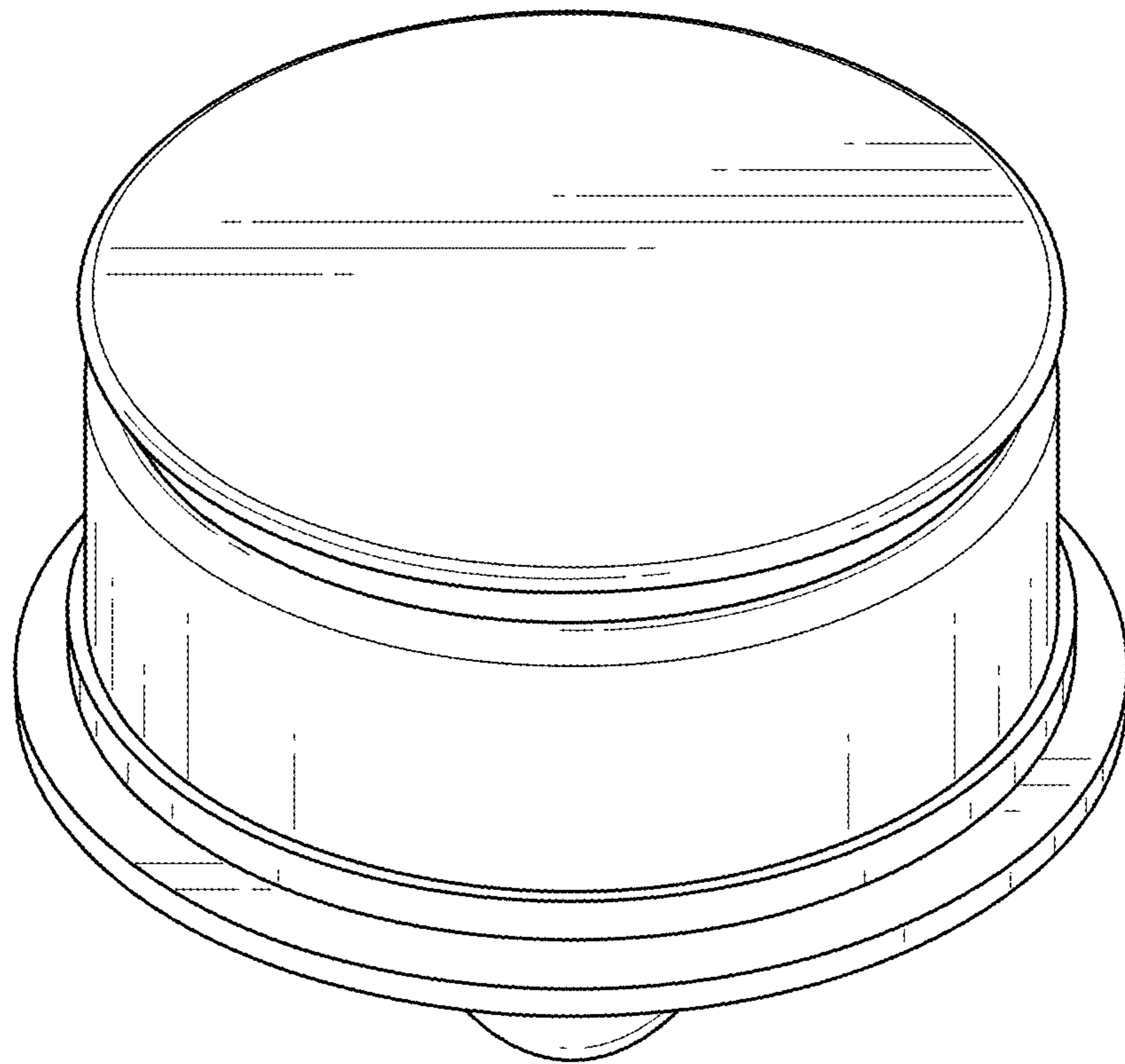


FIG. 2

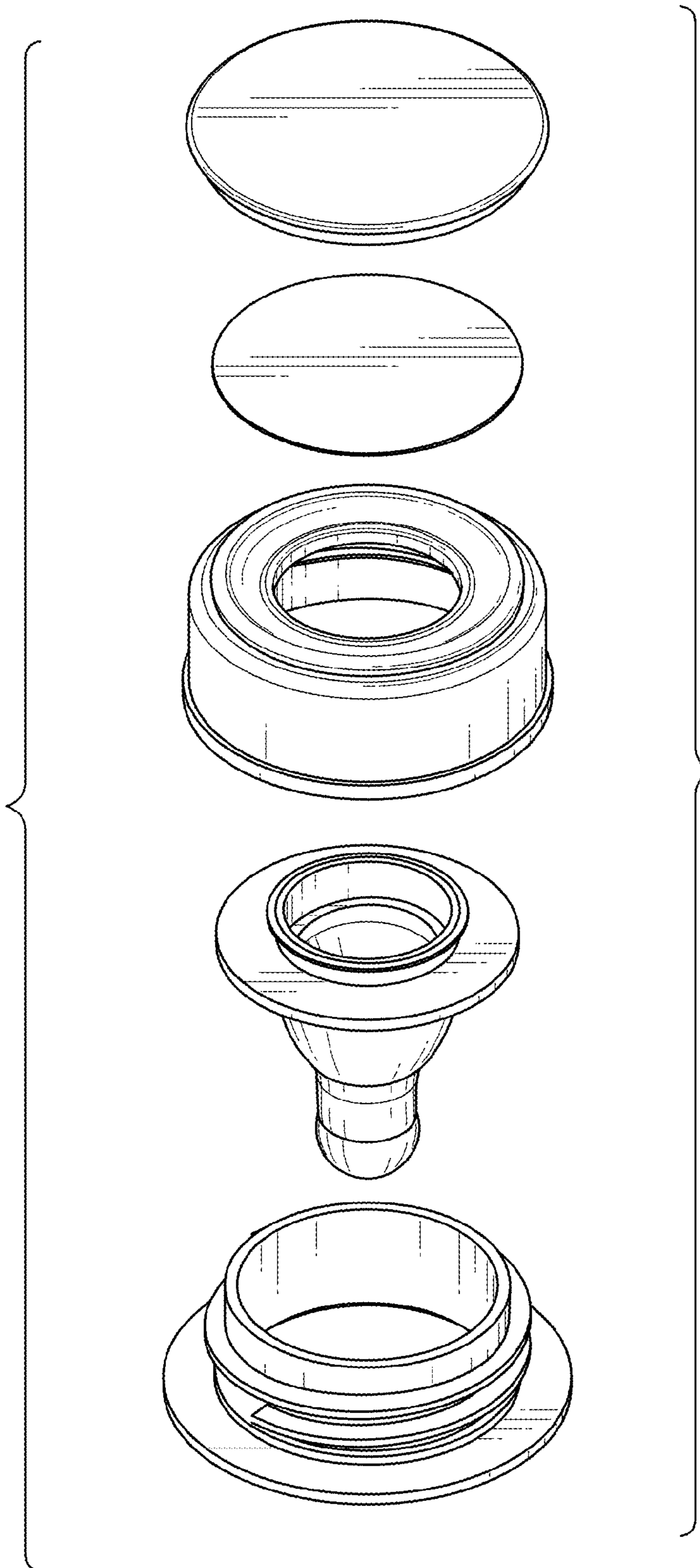


FIG. 3

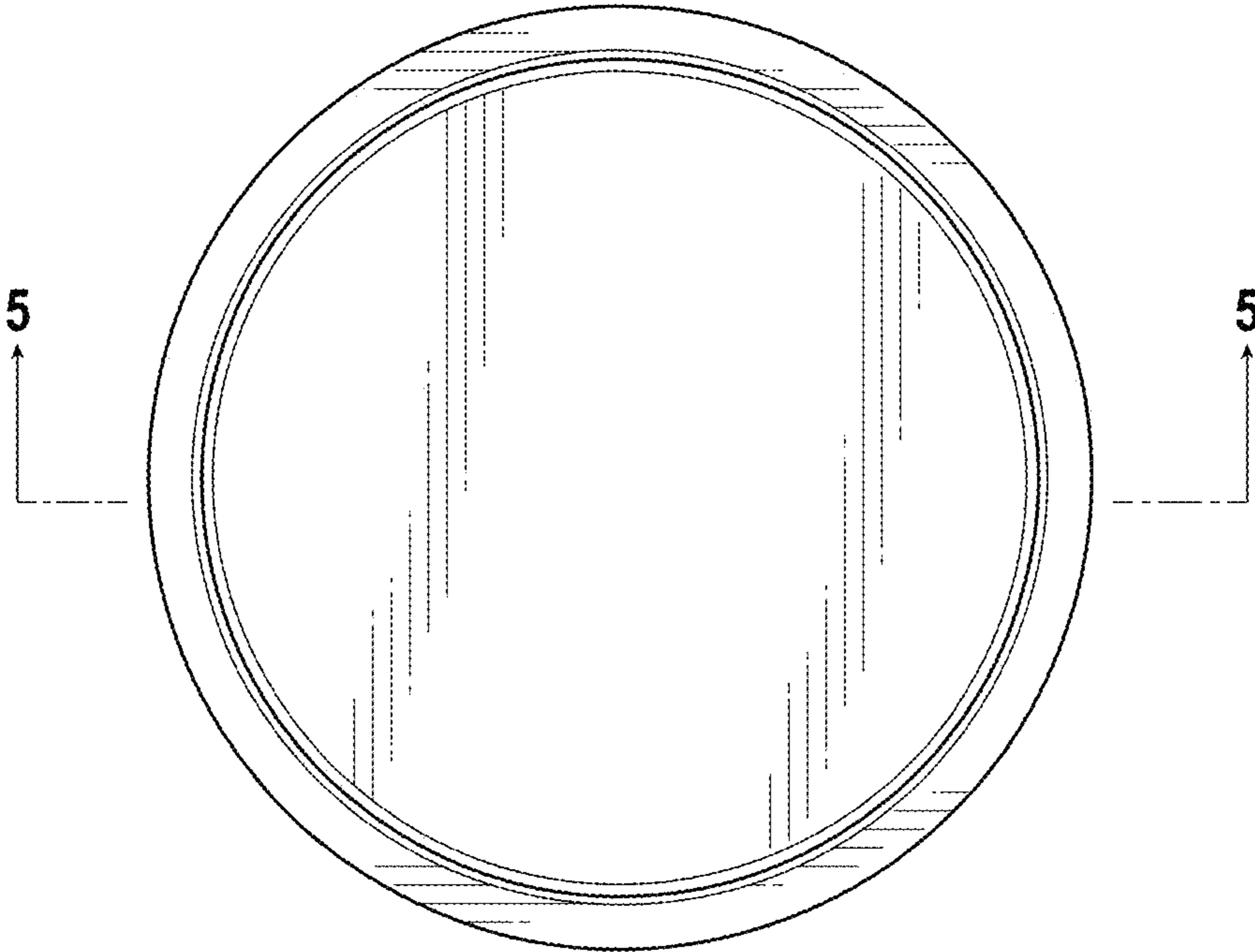


FIG. 4

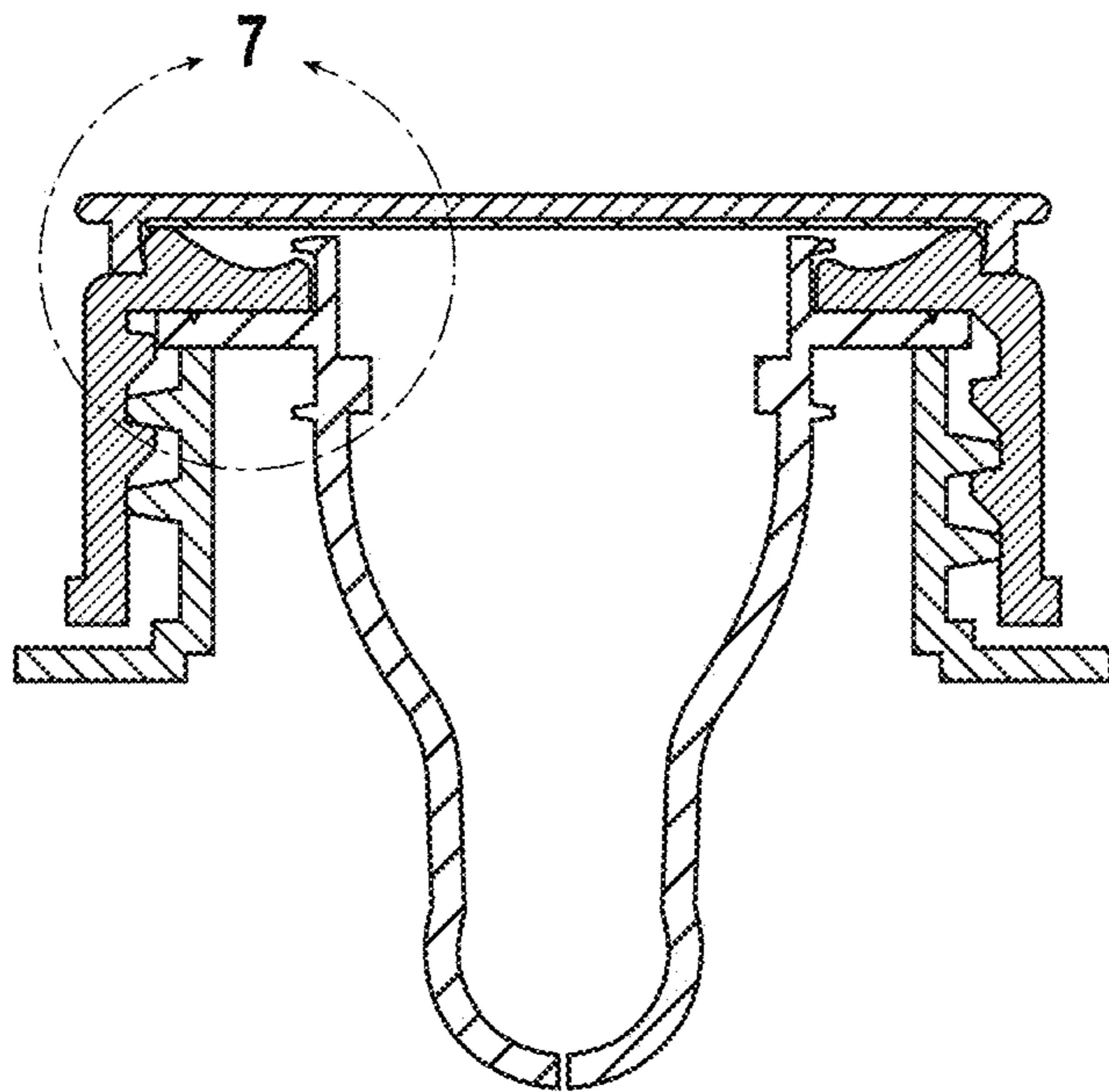


FIG. 5

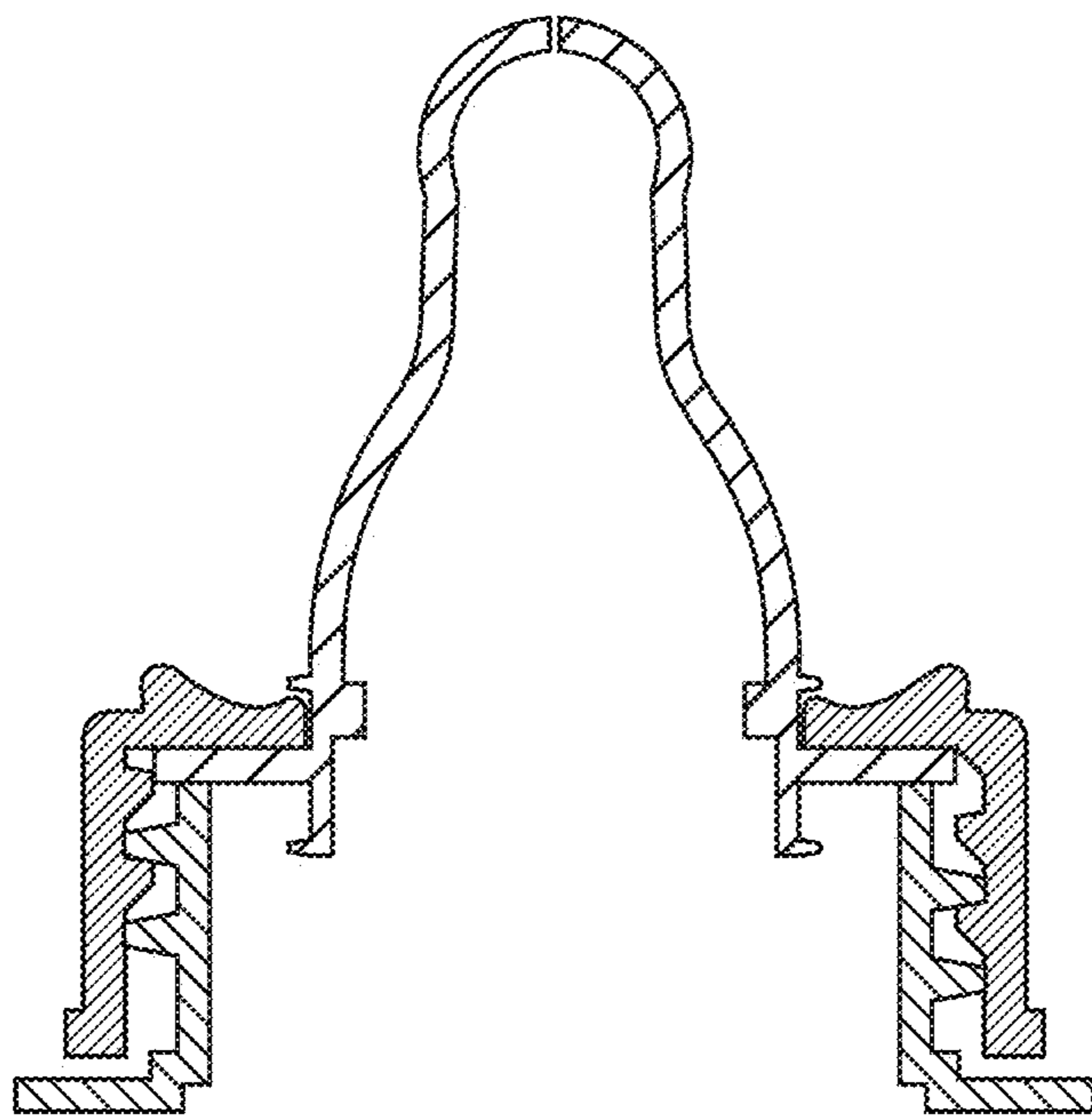


FIG. 6

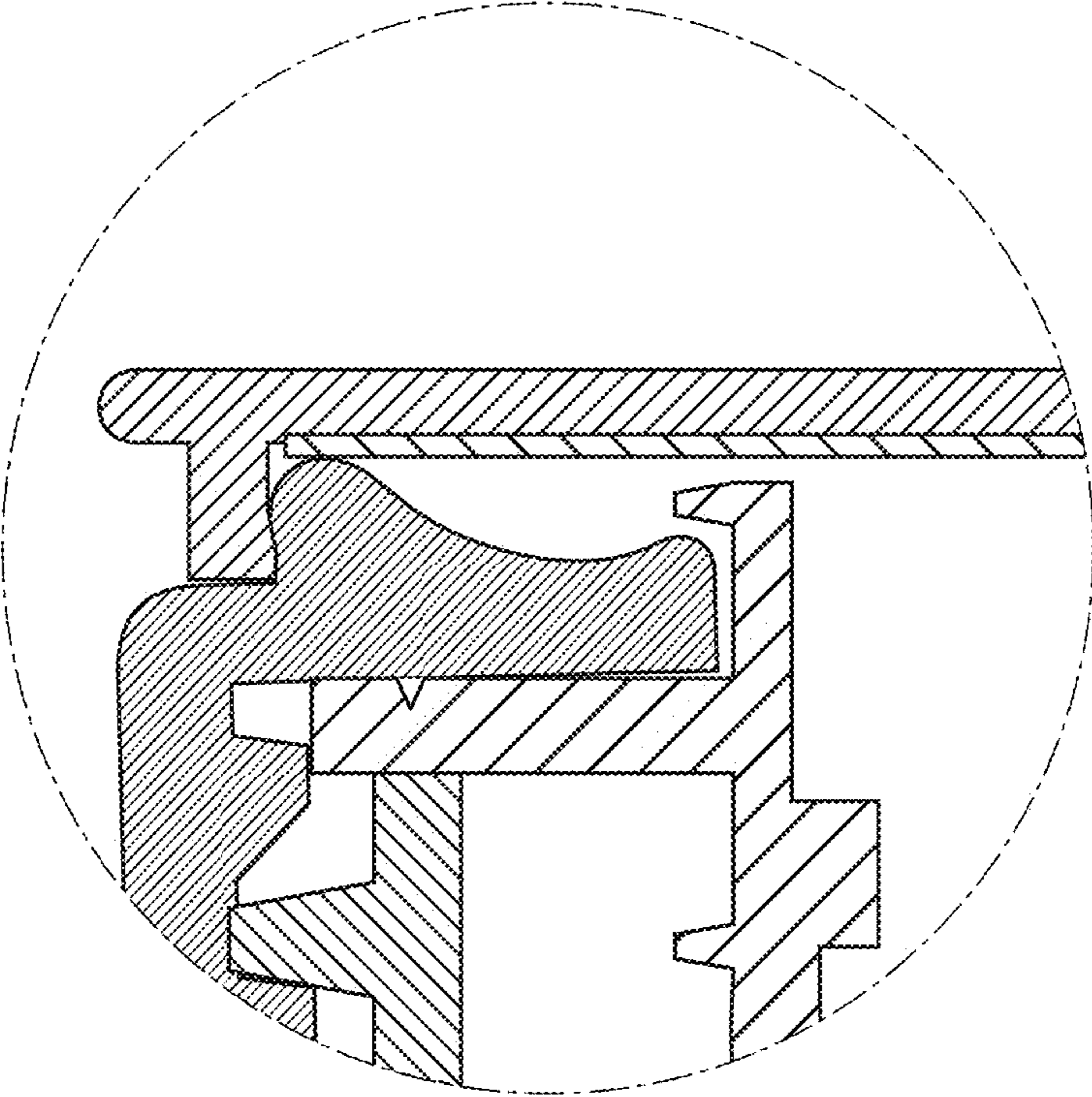


FIG. 7