



US00D989326S

(12) **United States Design Patent** (10) **Patent No.:** **US D989,326 S**  
**Lund et al.** (45) **Date of Patent:** **\*\* Jun. 13, 2023**

(54) **PATIENT MONITOR**

2019/0250664 A1\* 8/2019 Eslava ..... A61B 5/0205  
2020/0371548 A1\* 11/2020 Lund ..... G06F 1/1607  
2022/0005599 A1\* 1/2022 Poeze ..... G16H 50/20

(71) Applicant: **Draegerwerk AG & Co. KGaA**,  
Lübeck (DE)

FOREIGN PATENT DOCUMENTS

(72) Inventors: **Peter A. Lund**, Nashua, NH (US);  
**Zachary K. Hennings**, Reading, MA  
(US); **Ricardo L. Fernandez**, Beverly,  
MA (US); **Andrew T. Provencher**,  
Lowell, MA (US)

CN 301238787 \* 5/2010  
CN 305180427 \* 5/2019  
EM 008547731-0001 \* 5/2021

OTHER PUBLICATIONS

(73) Assignee: **Drägerwerk AG & Co. KGaA**

Philips IntelliVue MX40 Patient Monitor, Apr. 21, 2020, youtube.com [online], [site visited Apr. 6, 2022], Available from internet, URL: <https://www.youtube.com/watch?v=iYnAwlZEdMk> (Year: 2020).\*

(\*\*) Term: **15 Years**

(Continued)

(21) Appl. No.: **29/764,260**

(22) Filed: **Dec. 29, 2020**

*Primary Examiner* — Wendy L Arminio

(51) **LOC (14) Cl.** ..... **24-02**

*Assistant Examiner* — Maheen Khurshid

(52) **U.S. Cl.**  
USPC ..... **D24/185**

(74) *Attorney, Agent, or Firm* — Design IP

(58) **Field of Classification Search**  
USPC ..... D24/107, 183–187  
CPC ..... G16H 10/00; G06F 1/00; G06V 10/00;  
G16Z 99/00; H04L 1/00  
See application file for complete search history.

(57) **CLAIM**

The ornamental design for a patient monitor, as shown and described.

**DESCRIPTION**

(56) **References Cited**

U.S. PATENT DOCUMENTS

D659,836 S \* 5/2012 Bensch ..... D24/167  
D725,784 S \* 3/2015 Xia ..... D24/186  
D741,497 S \* 10/2015 Aber ..... D24/186  
D752,229 S \* 3/2016 Chen ..... D24/165  
D908,894 S \* 1/2021 Eslava ..... D24/186  
D918,396 S \* 5/2021 Gray ..... D24/185  
D921,905 S \* 6/2021 Castanet ..... D24/185  
D926,995 S \* 8/2021 He ..... D24/185  
D929,879 S \* 9/2021 Paschke ..... D10/70  
D935,615 S \* 11/2021 Ben Dor ..... D24/186  
D946,763 S \* 3/2022 Ubbesen ..... D24/186

FIG. 1 is a perspective view of a patient monitor showing our new design;

FIG. 2 is a front view thereof;

FIG. 3 is a rear view thereof;

FIG. 4 is a top view thereof;

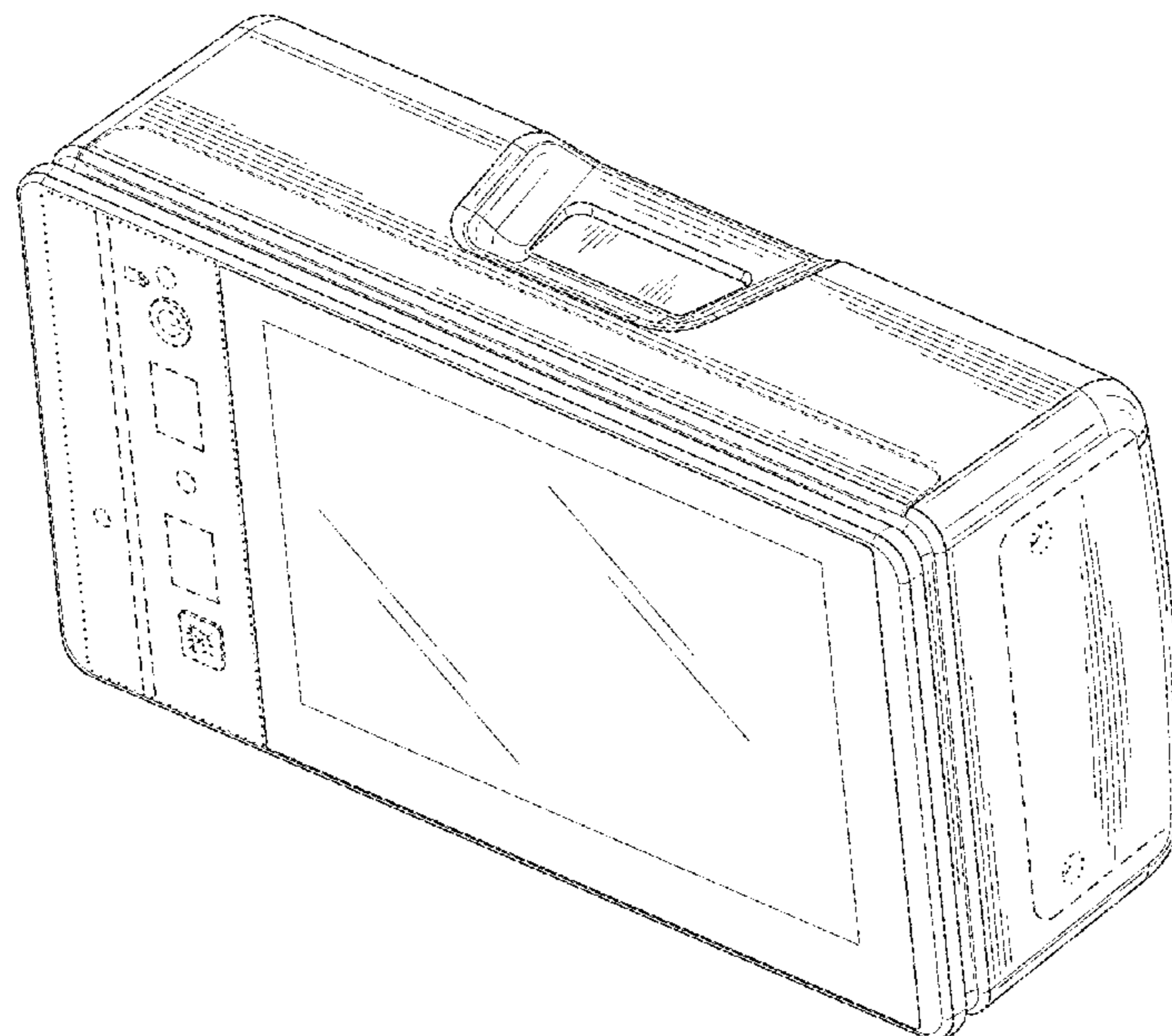
FIG. 5 is a bottom view thereof;

FIG. 6 is a right side view thereof; and,

FIG. 7 is a left side view thereof.

The dash-dash broken lines depict portions of the patient monitor that form no part of the claim design. The dotted broken lines illustrate boundaries between claimed and unclaimed surfaces and form no part of the claimed design.

**1 Claim, 6 Drawing Sheets**



(56)

**References Cited**

OTHER PUBLICATIONS

Ambulatory Blood Pressure Monitor ABPM50, Sep. 17, 2019, youtube.com[online], [site visited Apr. 6, 2022], Available from internet, URL: <<https://www.youtube.com/watch?v=BHWovIK2dlU>> (Year: 2019).\*

Philips IntelliVue X2 M3002A, Sep. 29, 2018, youtube.com[online], [site visited Apr. 6, 2022], Available from internet, URL: <<https://www.youtube.com/watch?v=Bif252Ux8AA>> (Year: 2018).\*

\* cited by examiner

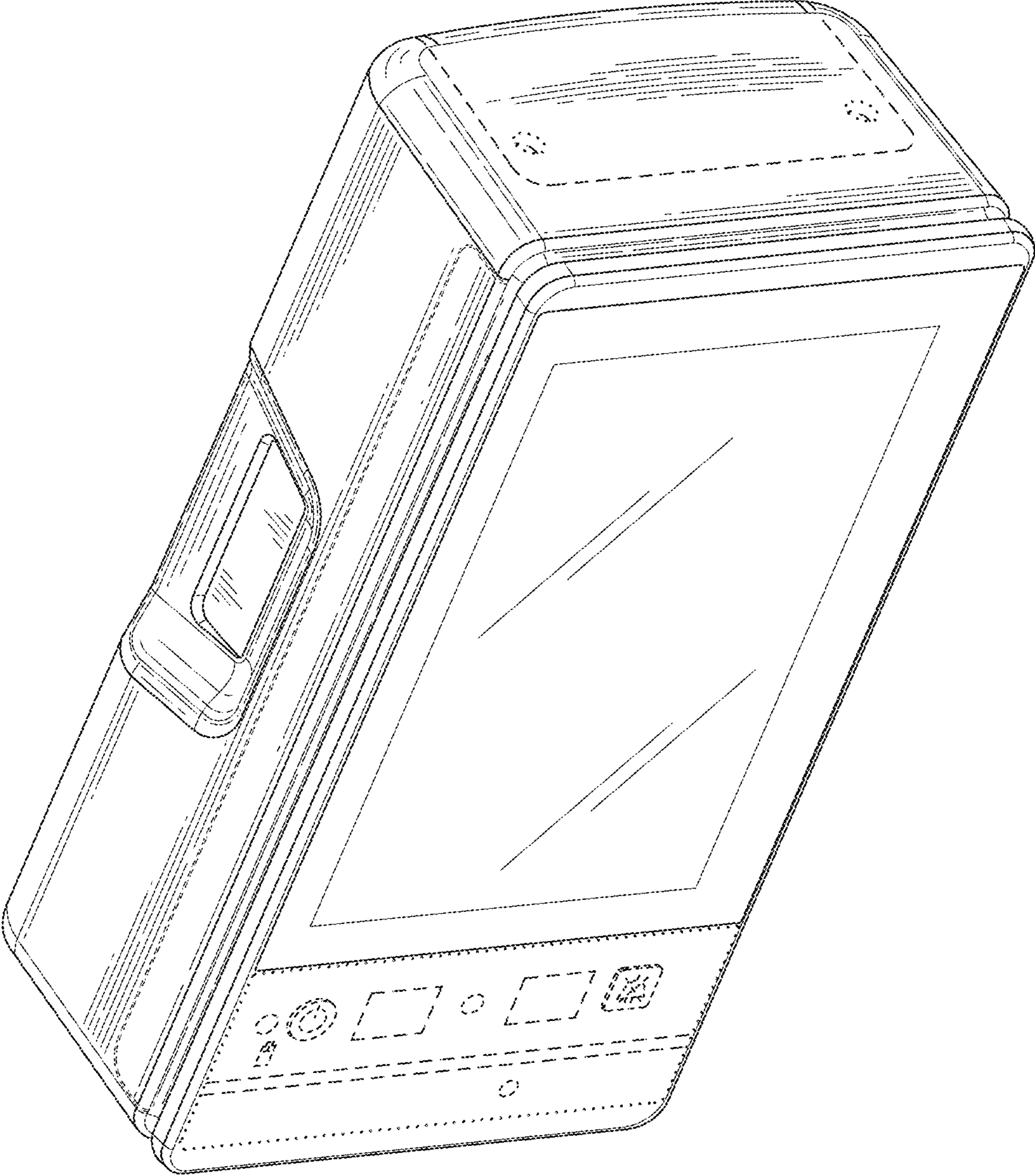


FIG. 1

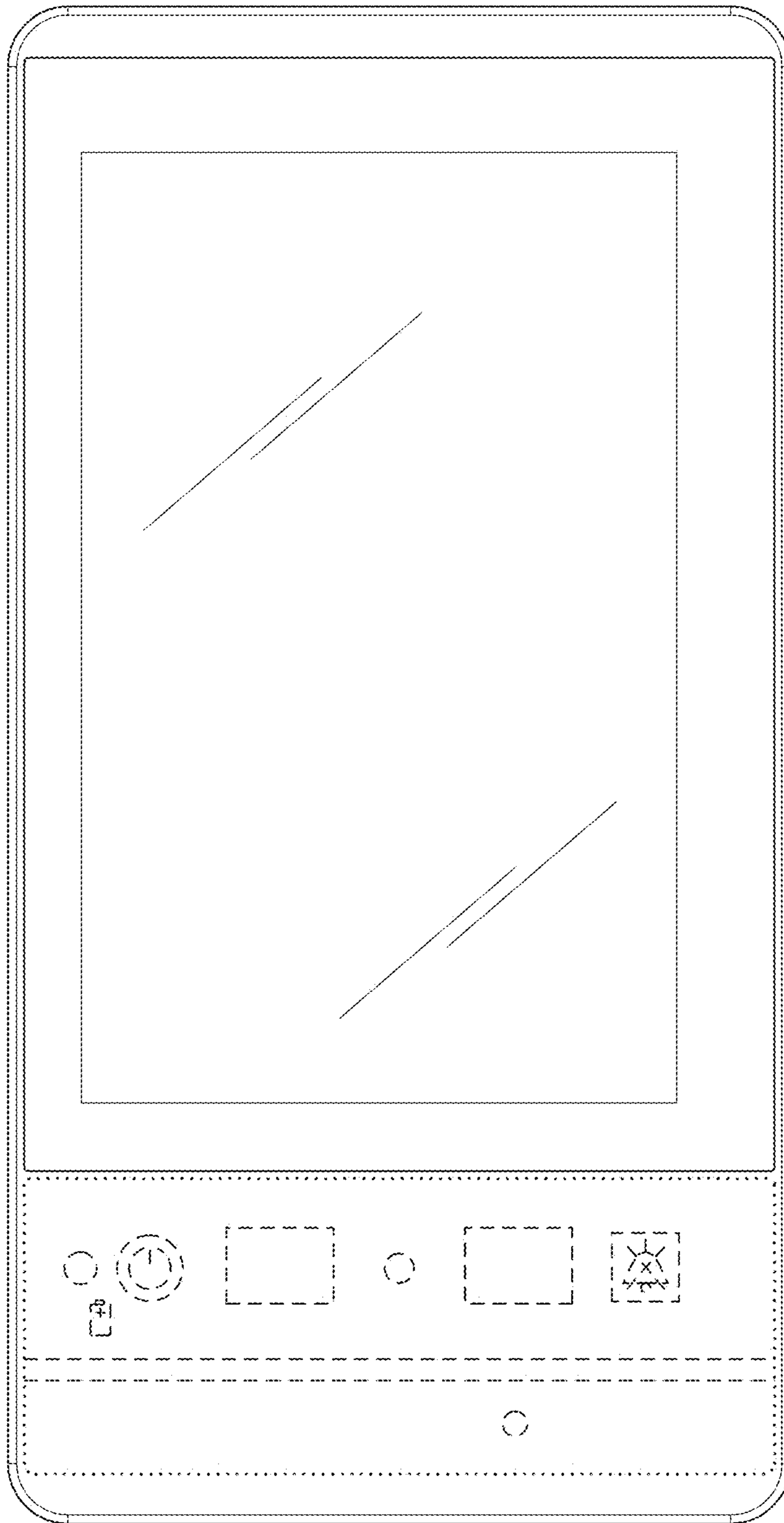


FIG. 2

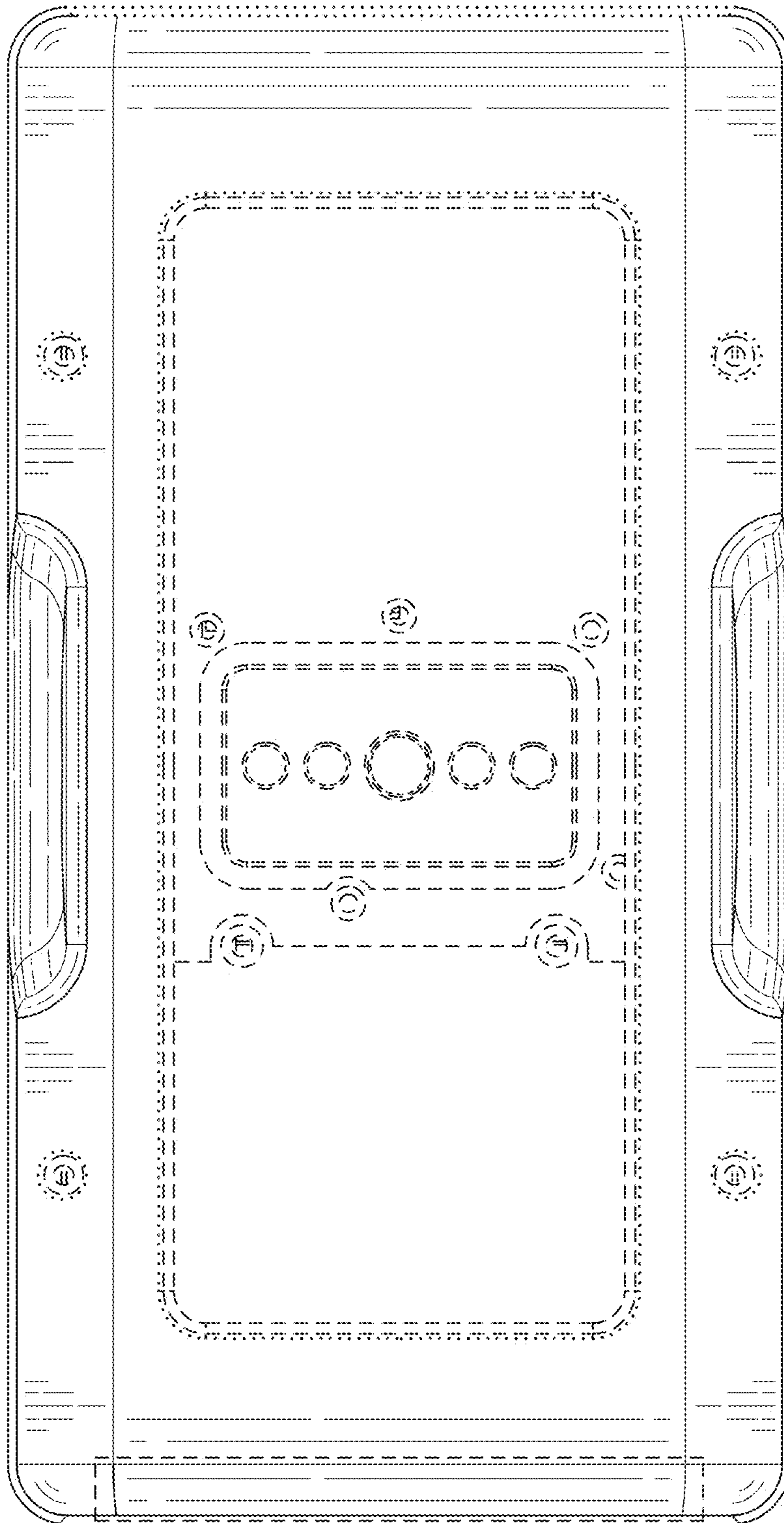


FIG. 3

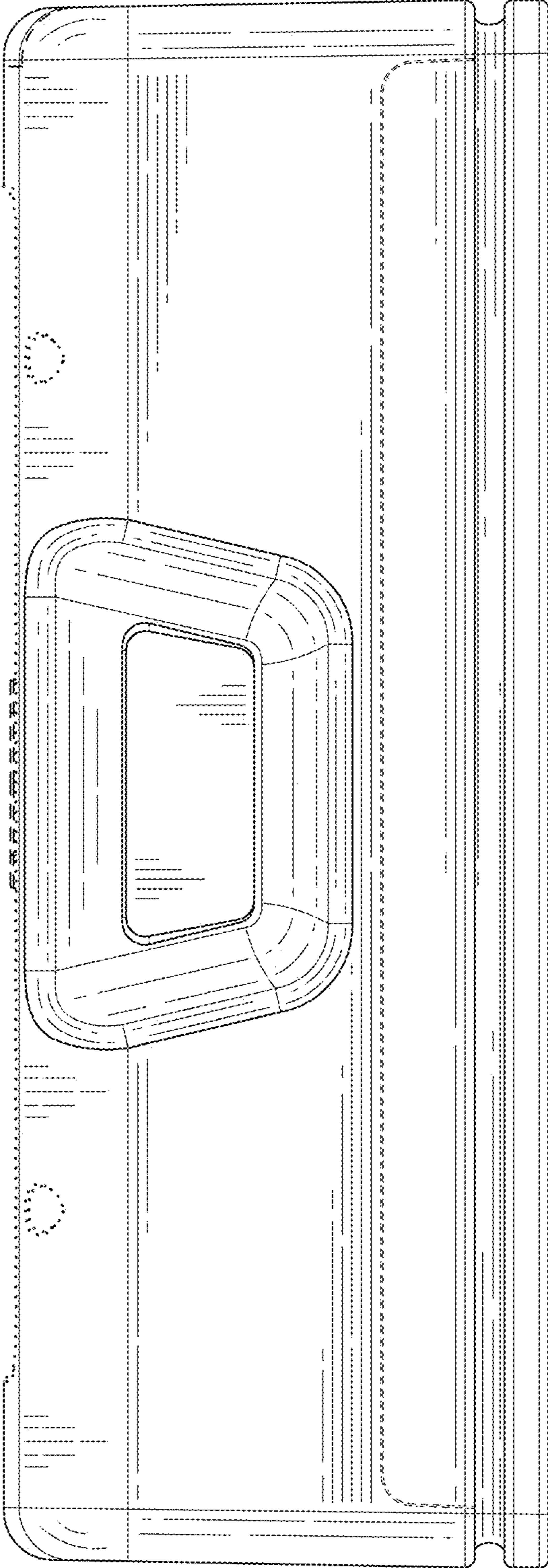


FIG. 4

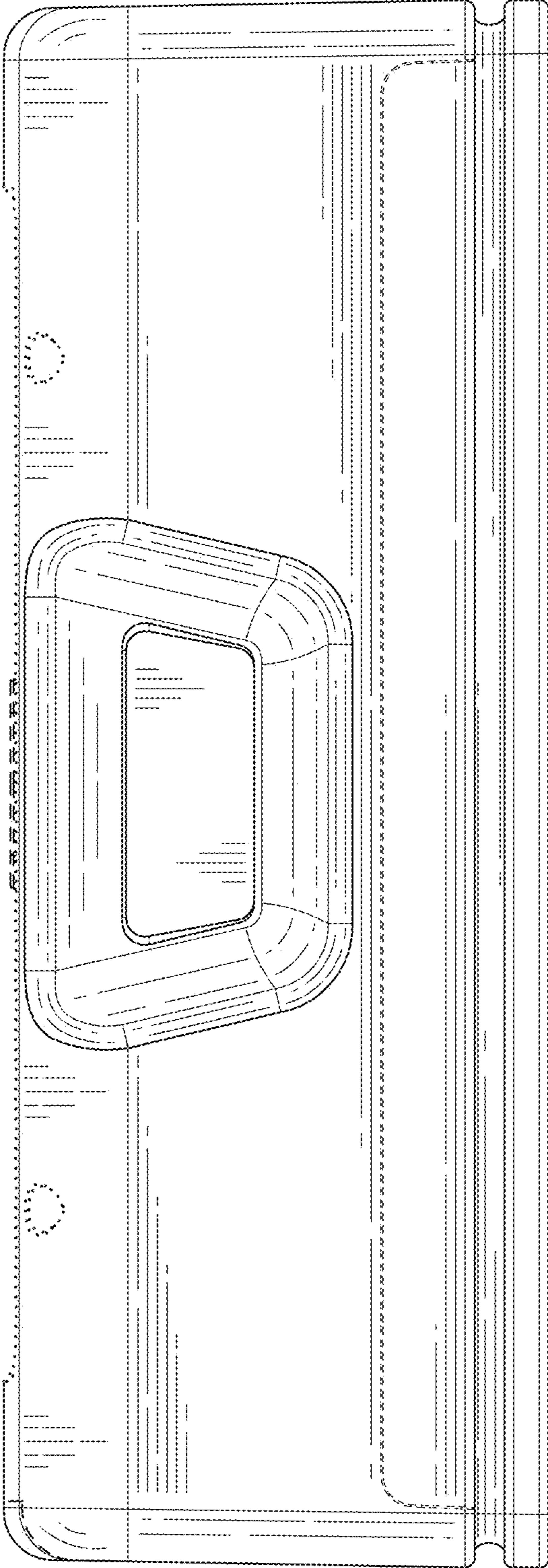


FIG. 5

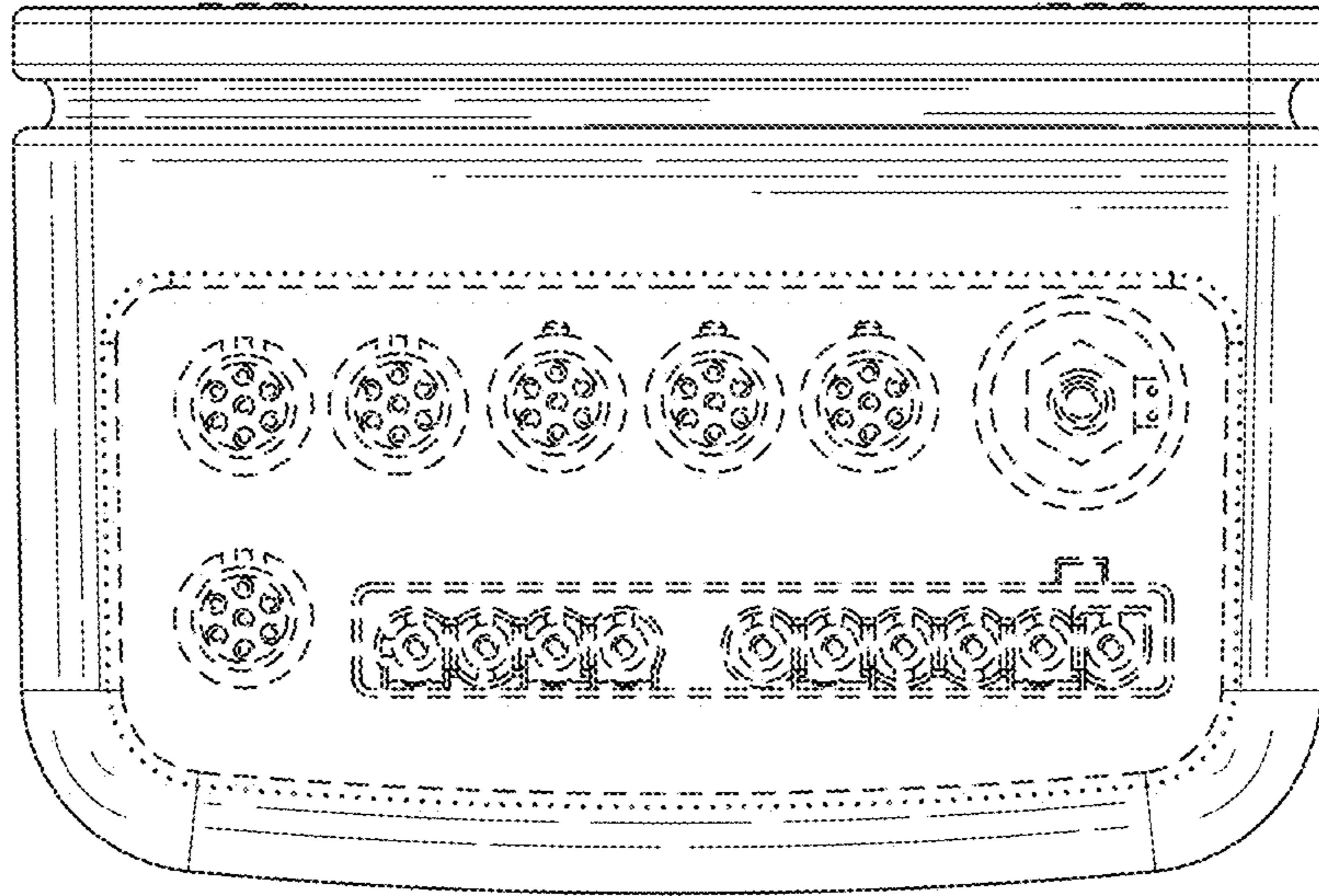


FIG. 7

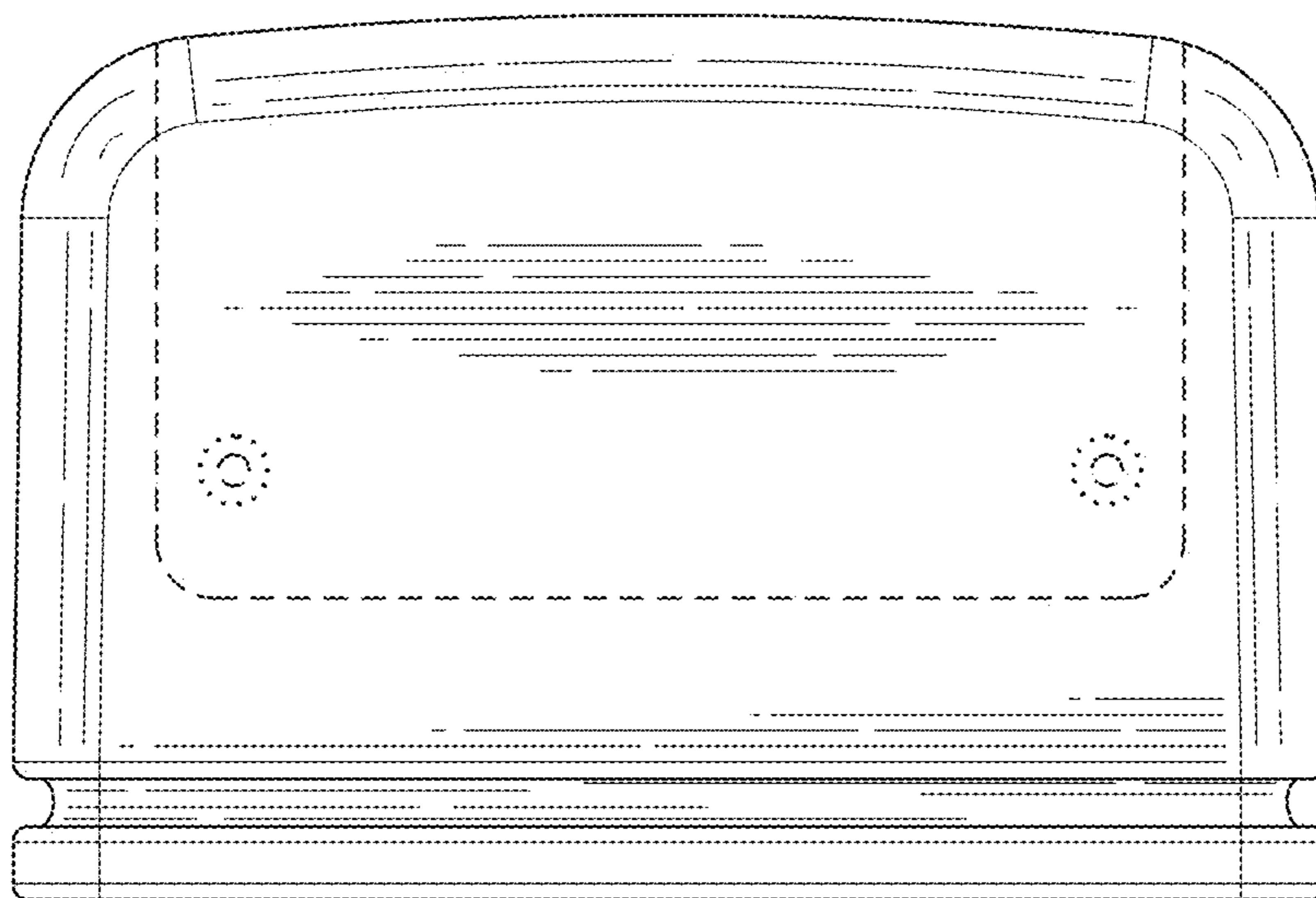


FIG. 6