



US00D989325S

(12) **United States Design Patent** (10) **Patent No.:** **US D989,325 S**
Personnelli et al. (45) **Date of Patent:** **** Jun. 13, 2023**

(54) **CART**
(71) Applicant: **GE Precision Healthcare LLC**,
Milwaukee, WI (US)
(72) Inventors: **Regis Gerard Personnelli**, Bois d’Arcy
(FR); **Aurelie Boudier**, Bois d’Arcy
(FR); **Stephane Graziani**, Asnieres sur
Seine (FR); **Adam Angiulli**, Pewaukee,
WI (US); **Dong Ki Cho**, Gyeonggi
(KR)
(73) Assignee: **GE Precision Healthcare LLC**,
Milwaukee, WI (US)
(**) Term: **15 Years**
(21) Appl. No.: **29/750,496**
(22) Filed: **Sep. 14, 2020**
(51) **LOC (14) Cl.** **24-02**
(52) **U.S. Cl.**
USPC **D24/185**
(58) **Field of Classification Search**
USPC D24/107, 169, 183–187, 216–234;
D34/12, 19

(Continued)

(56) **References Cited**

U.S. PATENT DOCUMENTS

D518,267 S * 3/2006 Arceta D34/14
D662,208 S * 6/2012 Otoha D24/185

(Continued)

FOREIGN PATENT DOCUMENTS

JP D1703783 * 3/2022
WO WO-D216525-001 * 3/2022

OTHER PUBLICATIONS

Voluson S10, Jan. 3, 2018, youtube.com [online], [site visited Apr. 22, 2022], Available from internet: <https://www.youtube.com/watch?v=kdLrXOhdKXY> (Year: 2018).*

(Continued)

Primary Examiner — Wendy L Arminio
Assistant Examiner — Maheen Khurshid
(74) *Attorney, Agent, or Firm* — McCoy Russell LLP

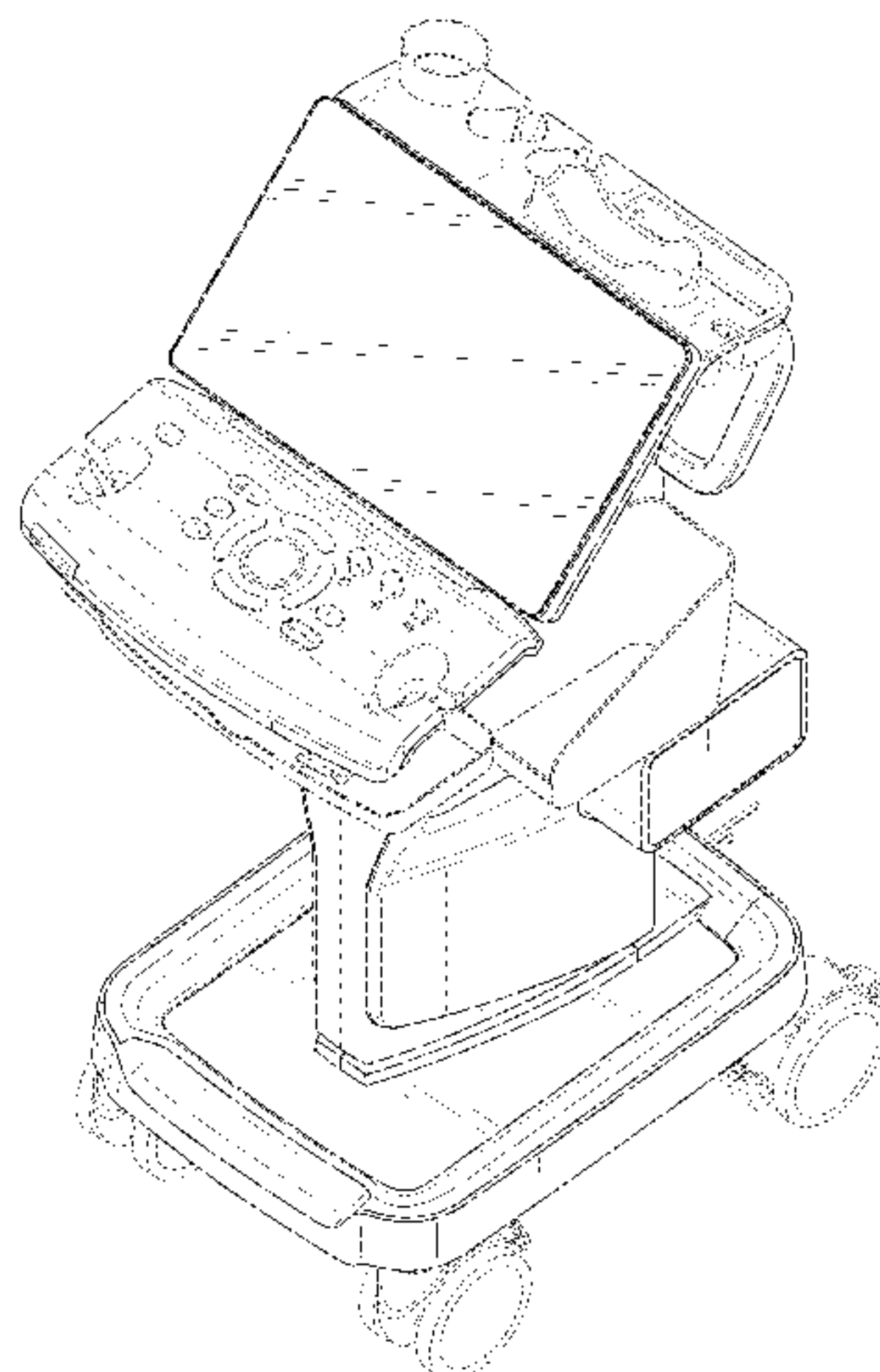
(57) **CLAIM**

The ornamental design for a cart, as shown and described.

DESCRIPTION

FIG. 1 is a top-front perspective view of a cart according to a first embodiment of the claimed design.
FIG. 2 is a bottom-rear perspective view of the cart of FIG. 1.
FIG. 3 is a front view of the cart of FIG. 1.
FIG. 4 is a rear view of the cart of FIG. 1.
FIG. 5 is a left side view of the cart of FIG. 1.
FIG. 6 is a right side view of the cart of FIG. 1.
FIG. 7 is a top view of the cart of FIG. 1.
FIG. 8 is a bottom view of the cart of FIG. 1.
FIG. 9 is a perspective view of the cart of FIG. 1 in a lowered configuration.
FIG. 10 is a perspective view of the cart of FIG. 1 in a first raised configuration.
FIG. 11 is a perspective view of the cart of FIG. 1 in a second raised configuration.
FIG. 12 is a top-front perspective view of a cart according to a second embodiment of the claimed design.
FIG. 13 is a bottom-rear perspective view of the cart of FIG. 12.
FIG. 14 is a front view of the cart of FIG. 12.
FIG. 15 is a rear view of the cart of FIG. 12.
FIG. 16 is a left side view of the cart of FIG. 12.
FIG. 17 is a right side view of the cart of FIG. 12.
FIG. 18 is a top view of the cart of FIG. 12.
FIG. 19 is a bottom view of the cart of FIG. 12.
FIG. 20 is a perspective view of the cart of FIG. 12 in a lowered configuration.
FIG. 21 is a perspective view of the cart of FIG. 12 in a first raised configuration; and,
FIG. 22 is a perspective view of the cart of FIG. 12 in a second raised configuration.
The broken lines in the drawings illustrate portions of the cart that form no part of the claimed design.

(Continued)



The vent features shown in broken lines in FIGS. 2-6, 9-11, 13-17, and 19-22 of the drawings form no part of the claimed design.

The cross-hatch shading shown in FIGS. 12-18 and 19-22 of the drawings represents contrast in appearance, although no particular colors are claimed.

The oblique line shading shown at the base portion of the cart in FIGS. 12-13 and 19 of the drawings represents translucency. The translucency forms part of the claim.

1 Claim, 22 Drawing Sheets

(58) Field of Classification Search

CPC A61M 1/14; A61M 1/3621; A61M 2209/082; A61M 2209/084; A61M 1/28; A61M 1/1658; A61M 1/1666; A61M 1/1696; A61B 6/4405; A61B 8/4405; A61B 8/462; A61B 8/467; A61B 50/13; A61G 12/001; F17D 3/00; G06F 3/0412
See application file for complete search history.

(56) References Cited

U.S. PATENT DOCUMENTS

D702,842 S * 4/2014 Hyde D24/185
D716,447 S * 10/2014 Kim D24/185
D724,736 S * 3/2015 Kim D24/185

D735,868 S * 8/2015 Mareguddi D24/185
D743,558 S * 11/2015 Kim D24/186
D746,475 S * 12/2015 Mongin D24/185
D750,787 S * 3/2016 Asad D24/185
D804,673 S * 12/2017 Shin D24/186
D836,781 S * 12/2018 Meurer D24/185
D852,962 S * 7/2019 Chang D24/185
D855,190 S * 7/2019 Wu D24/185
D863,559 S * 10/2019 Brooks D24/185
D871,588 S * 12/2019 Schultz D24/185
D872,284 S * 1/2020 Köppel D24/185
D875,951 S * 2/2020 Kent D24/185
D876,632 S * 2/2020 Henderson D24/185
D877,342 S * 3/2020 Canady D24/185
D878,600 S * 3/2020 Pelissier D24/185
D932,629 S * 10/2021 Ruff D24/185
D932,630 S * 10/2021 Ruff D24/185
D932,631 S * 10/2021 Ruff D24/185
D938,045 S * 12/2021 Gupta D24/185
D938,046 S * 12/2021 Gupta D24/185
2019/0328596 A1 * 10/2019 Rapoport A61G 11/005

OTHER PUBLICATIONS

Logiq S7 GE Healthcare, Nov. 15, 2012, youtube.com [online], [site visited Apr. 22, 2022], Available from internet: <<https://www.youtube.com/watch?v=gDZtcKNipgA>> (Year: 2012).
Personnelli, R. et al., "An Ornamental Design for a Cart," U.S. Appl. No. 29/750,498, filed Sep. 14, 2020, 19 pages.
Personnelli, R. et al., "An Ornamental Design for a Control Panel," U.S. Appl. No. 29/750,499, filed Sep. 14, 2020, 12 pages.

* cited by examiner

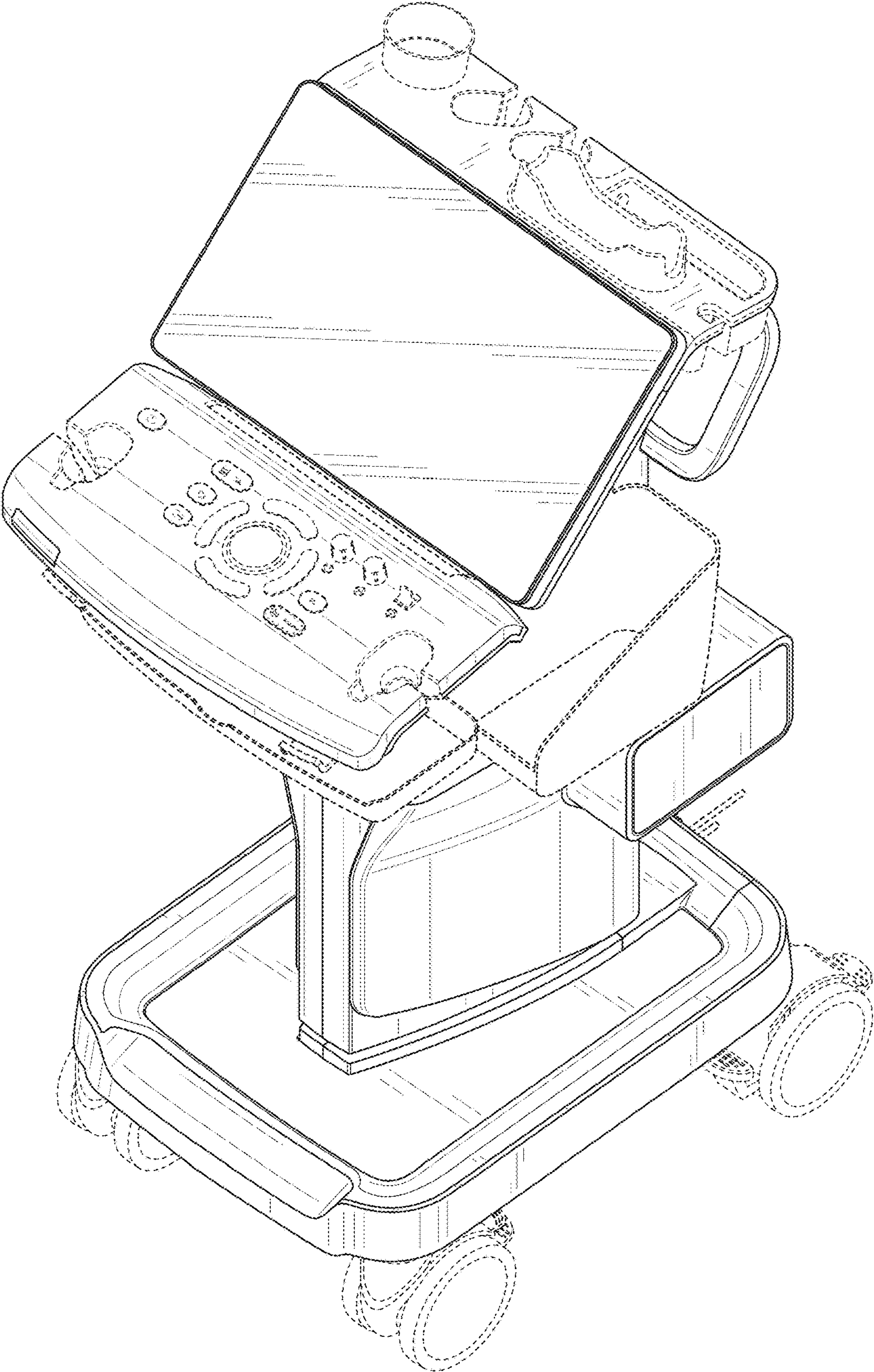


FIG. 1

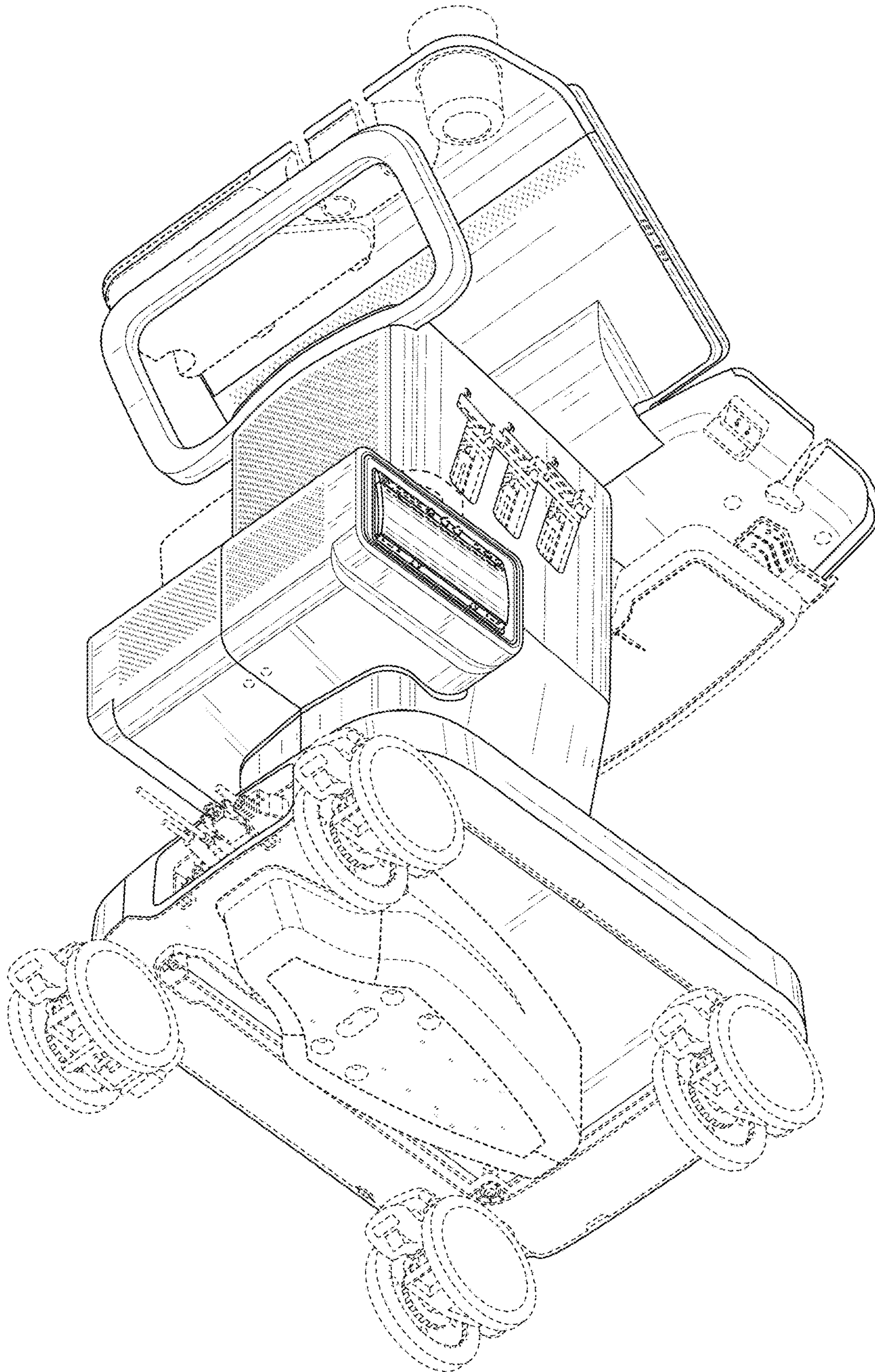


FIG. 2

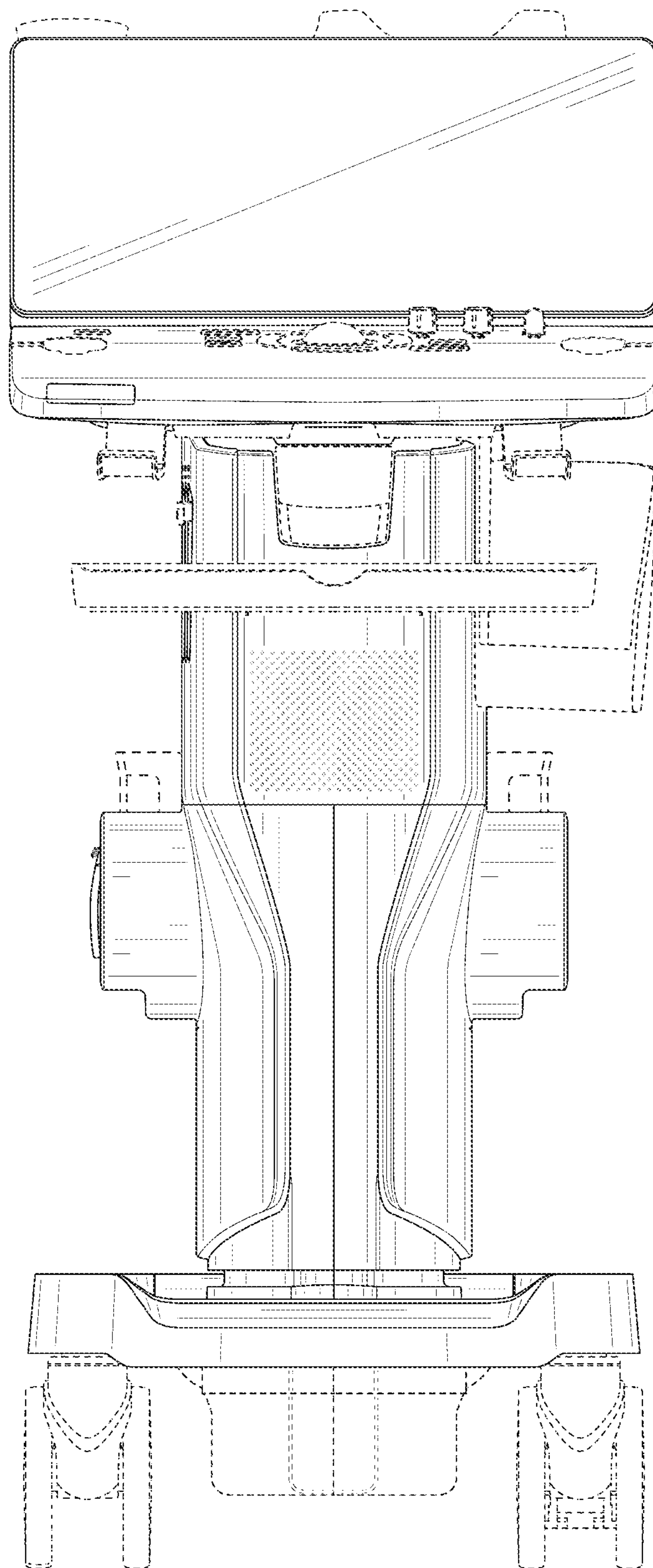


FIG. 3

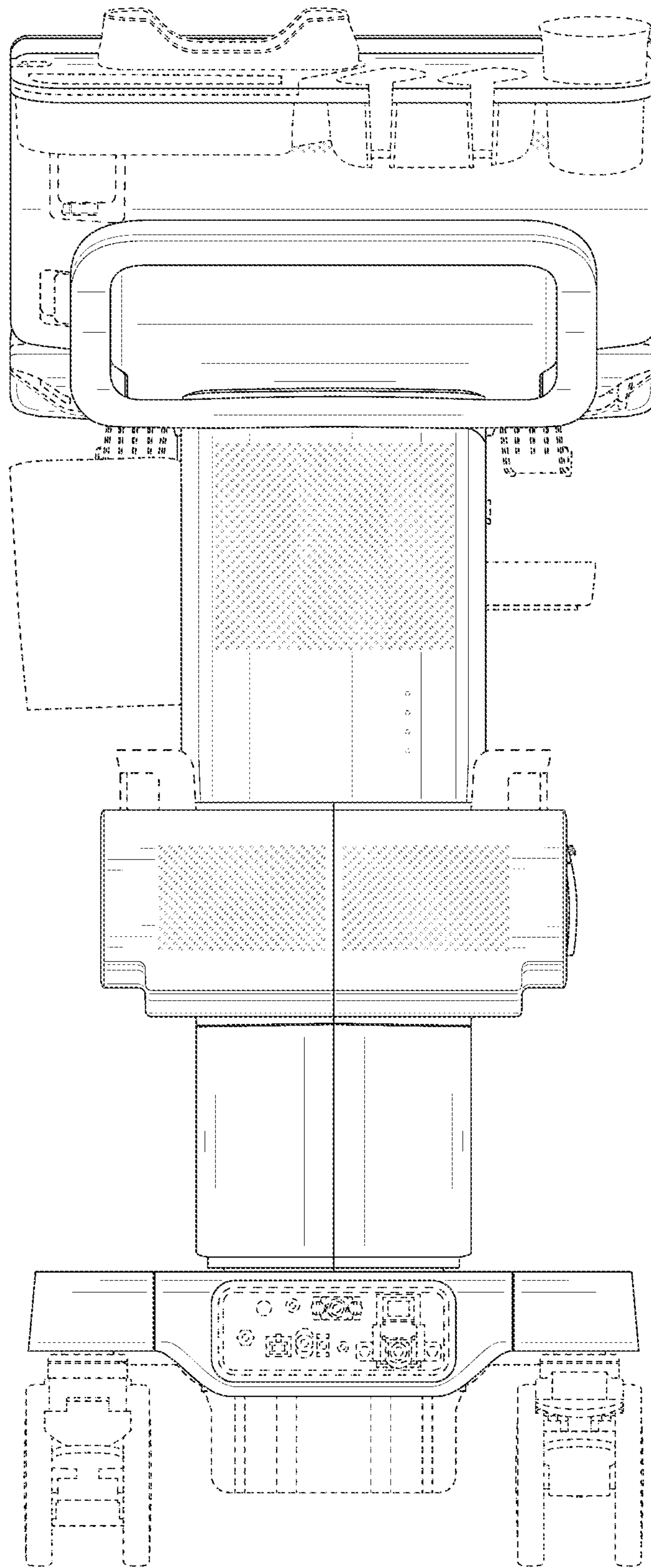


FIG. 4

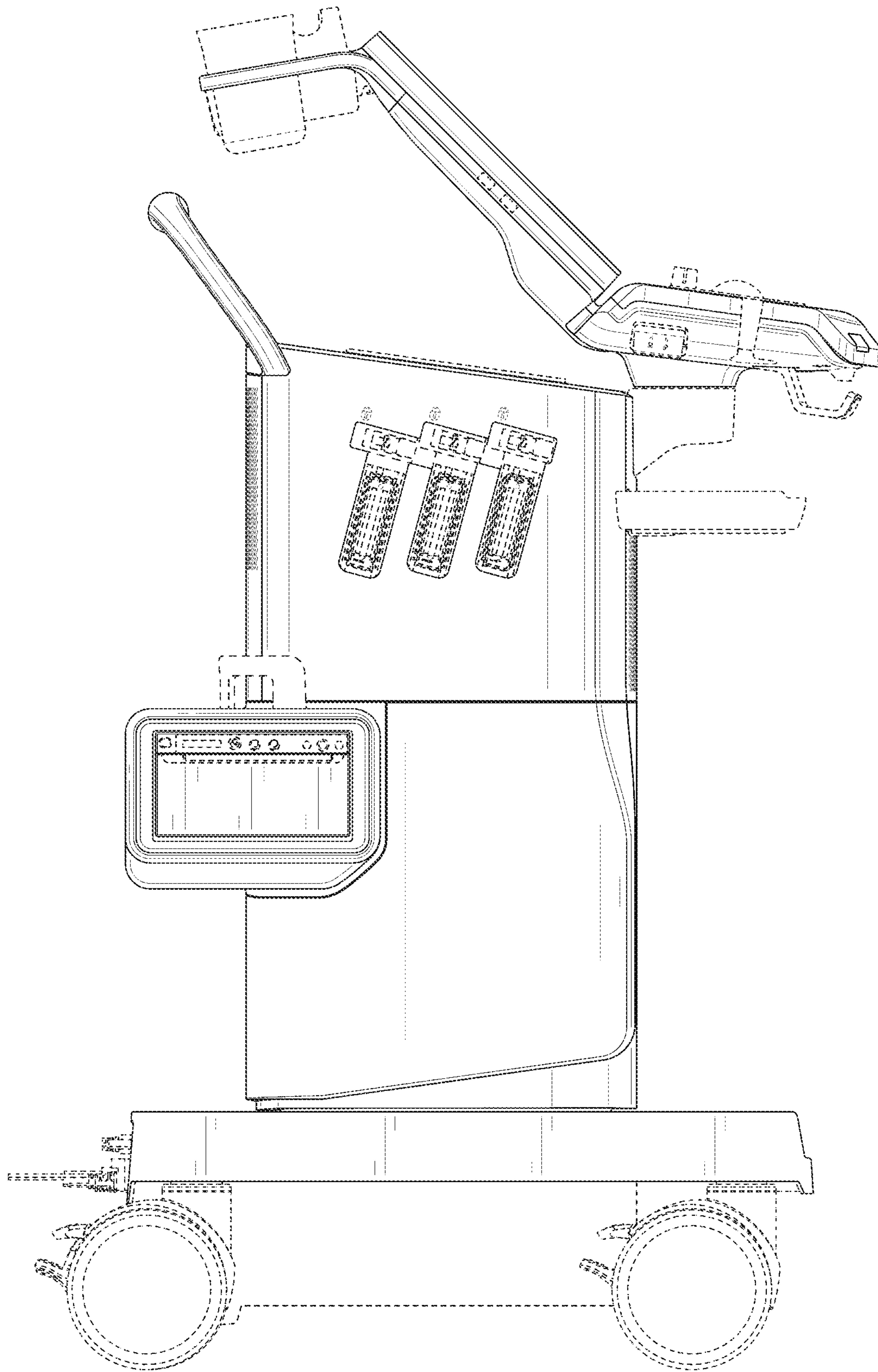


FIG. 5

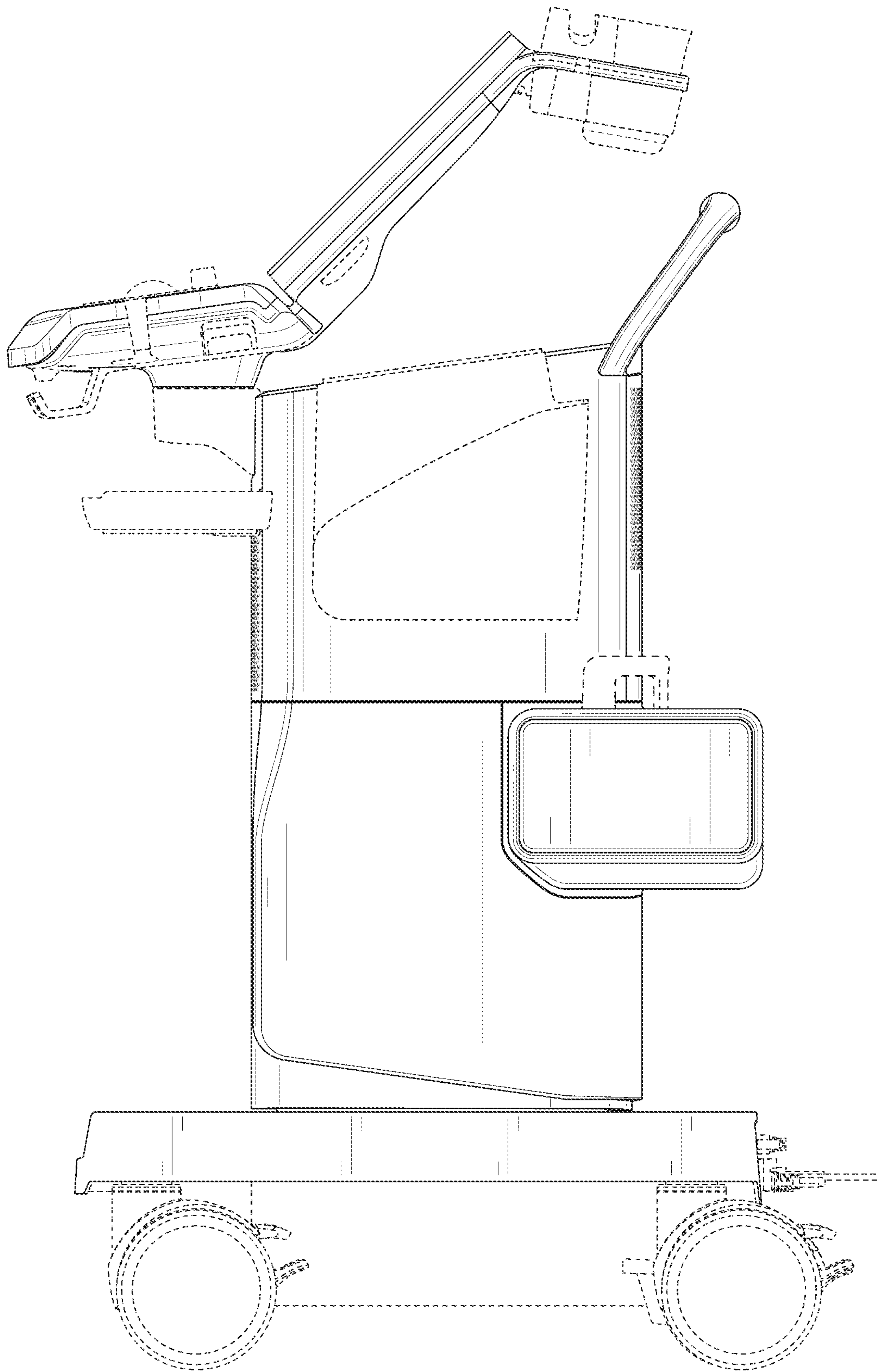


FIG. 6

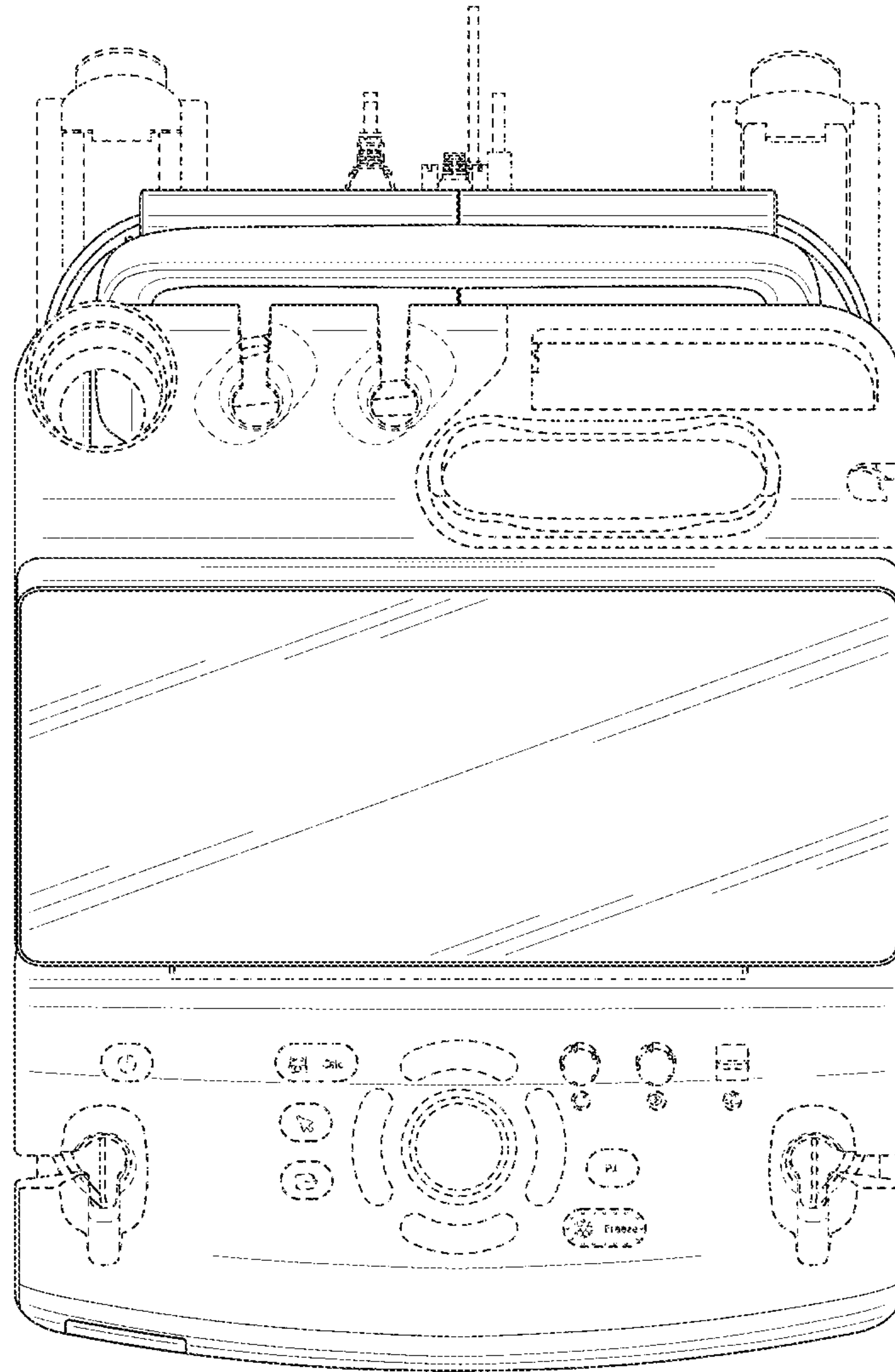


FIG. 7

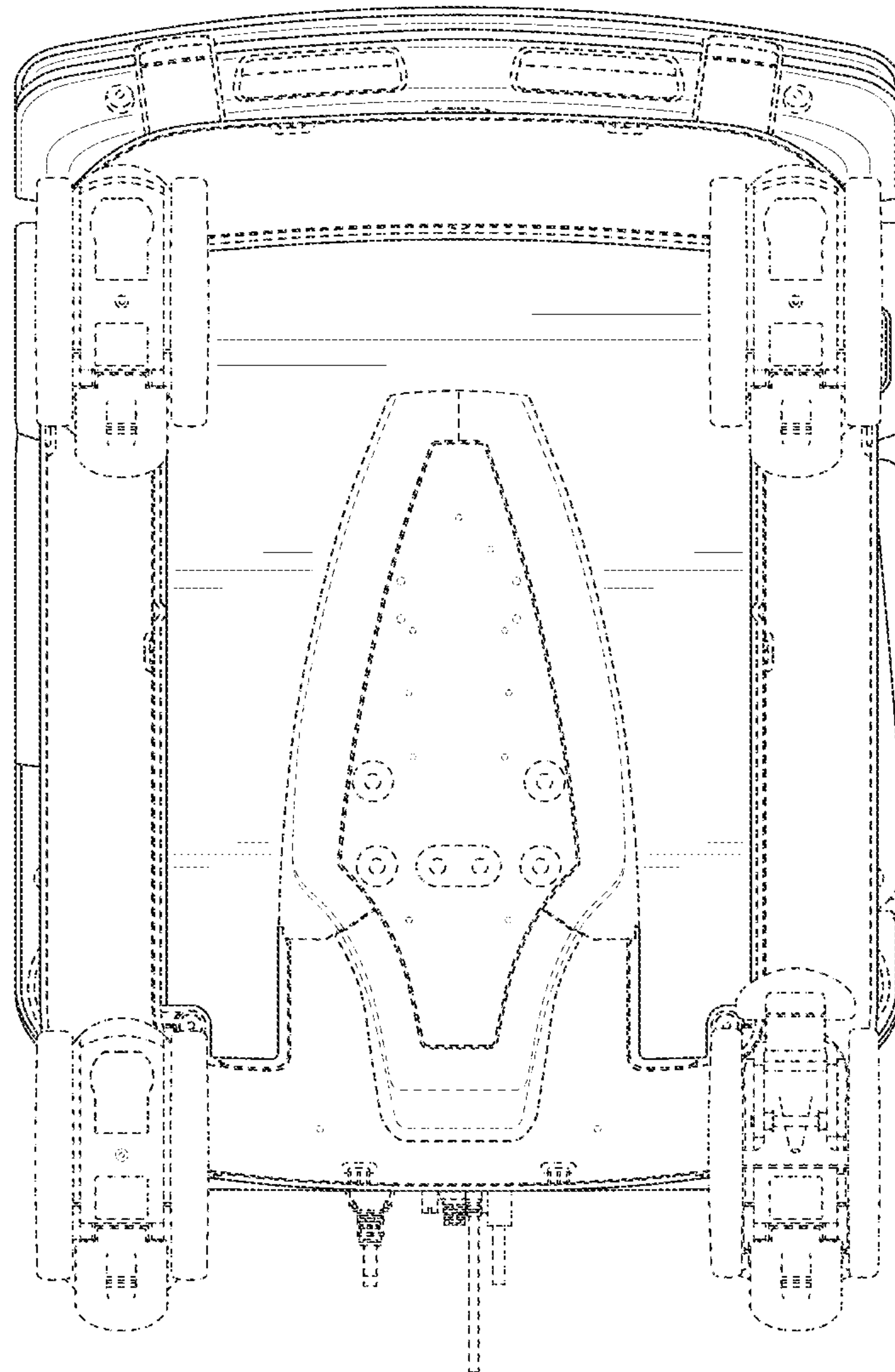


FIG. 8

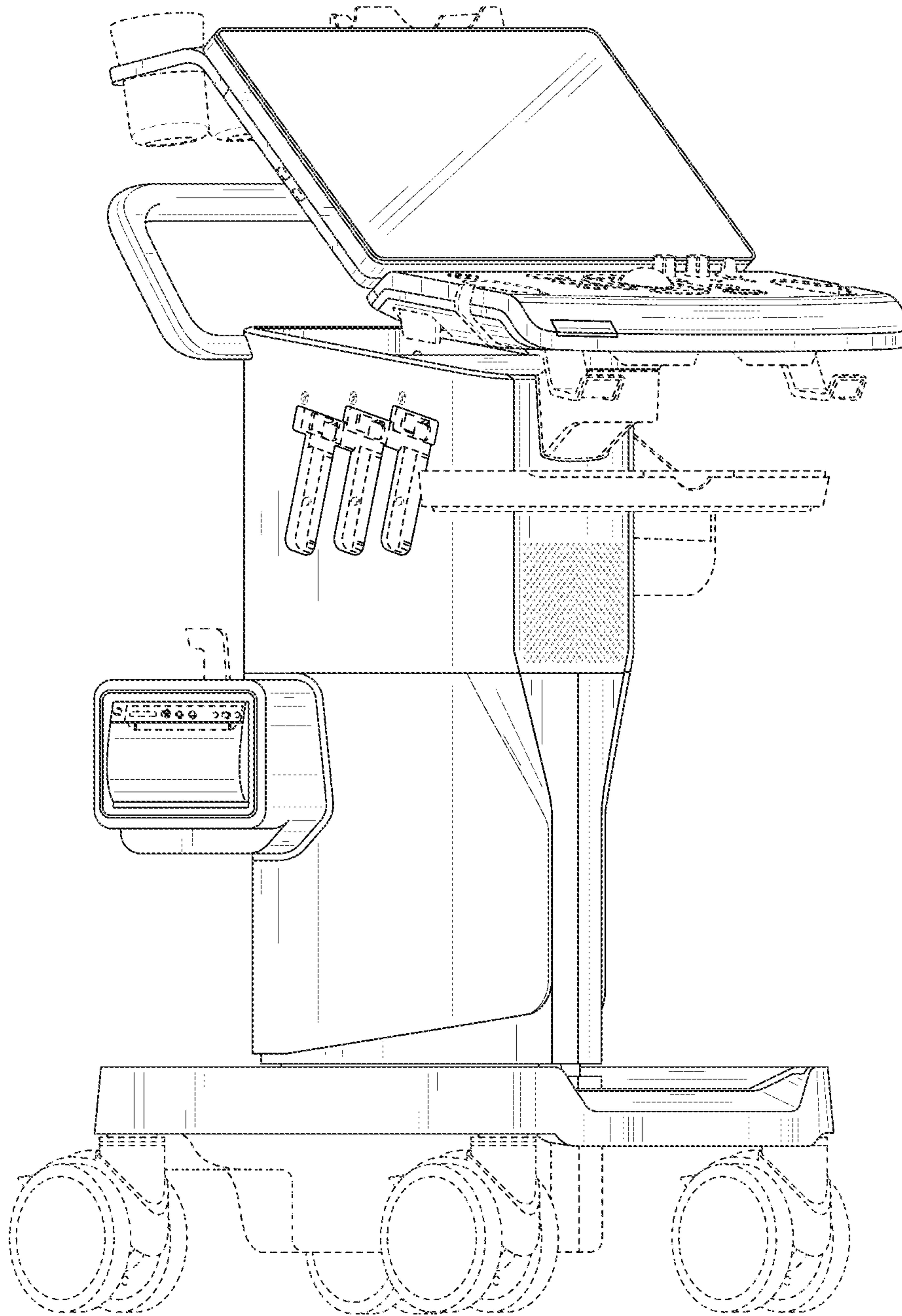


FIG. 9

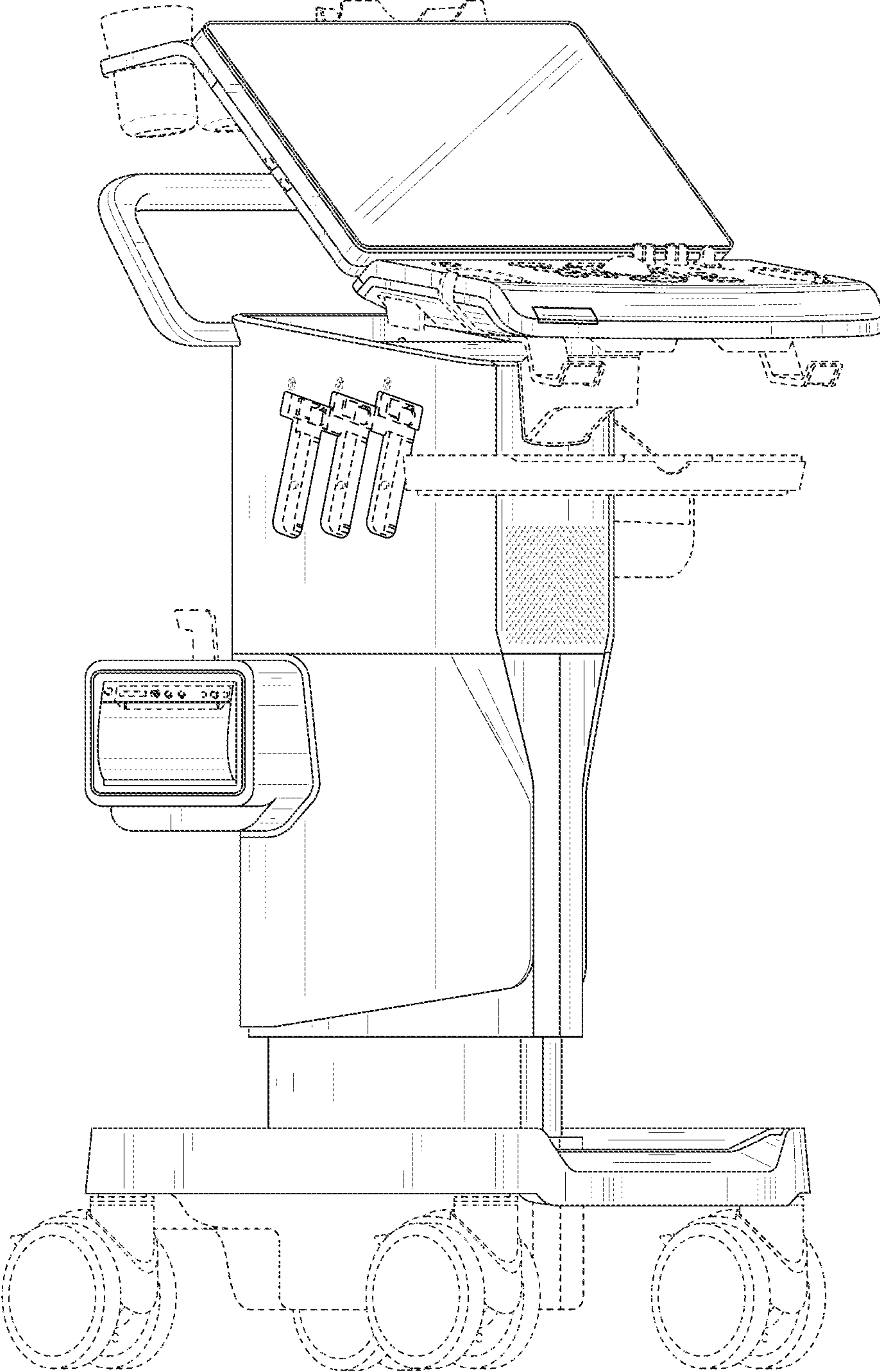


FIG. 10

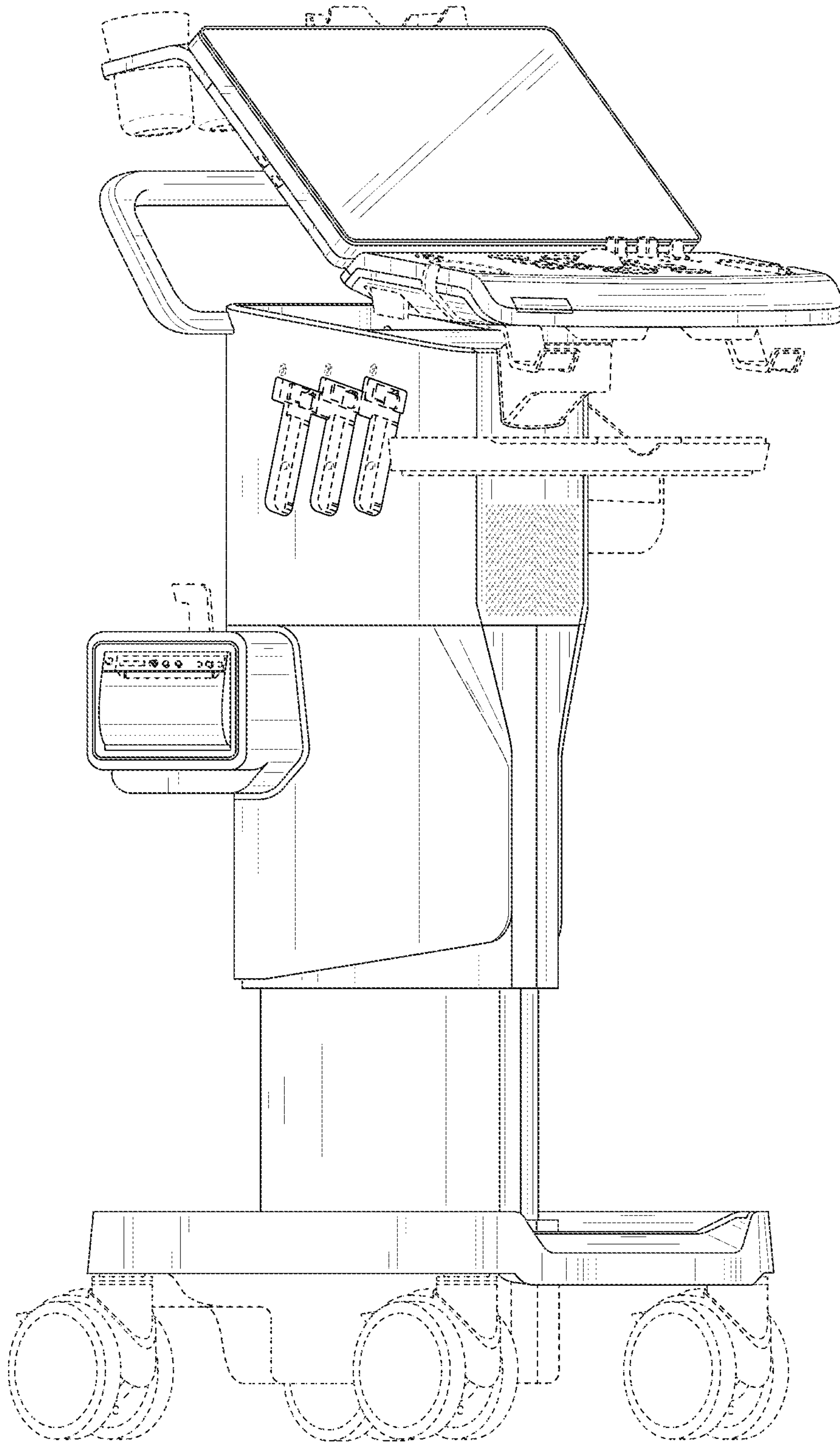


FIG. 11

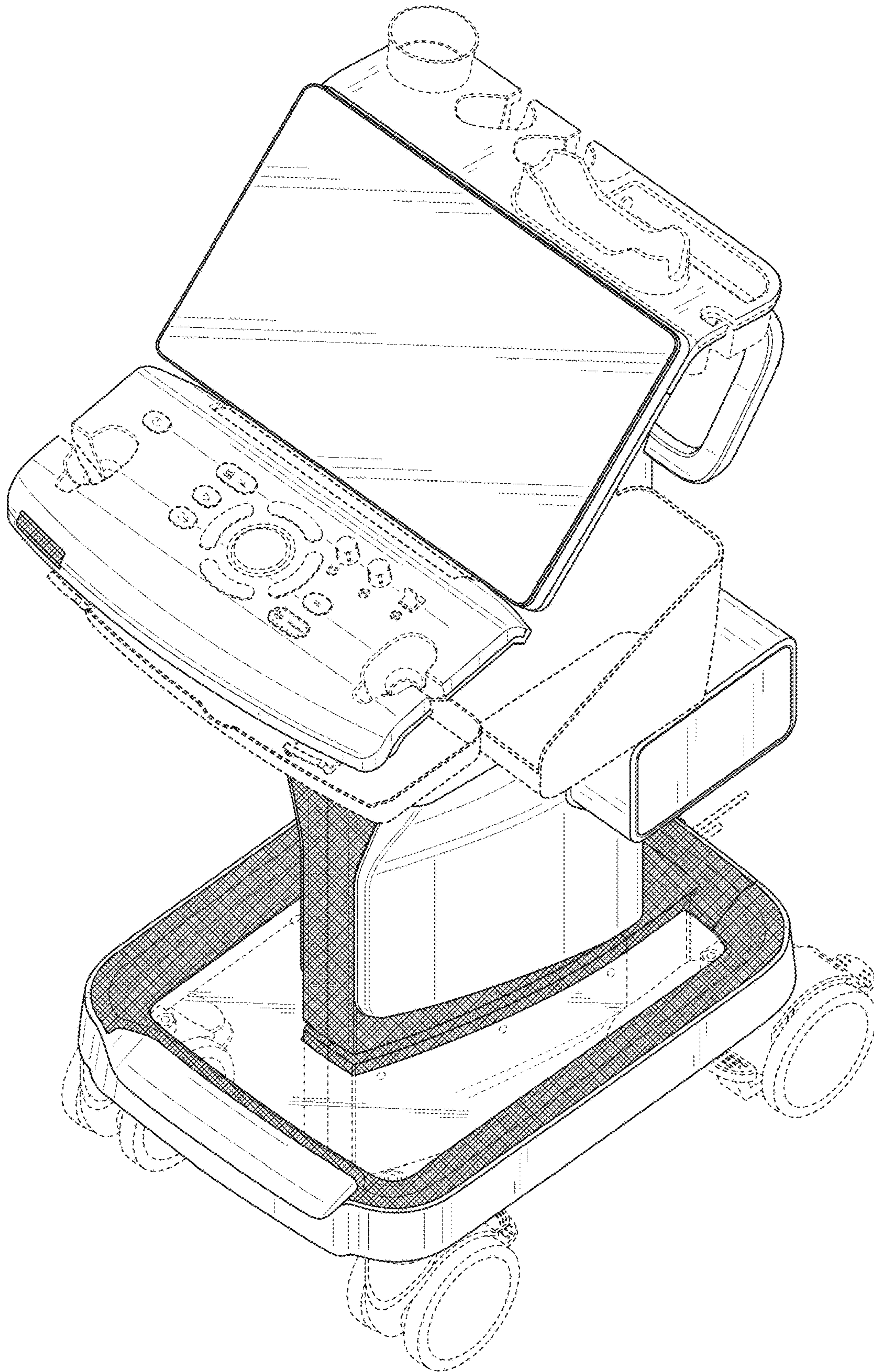


FIG. 12

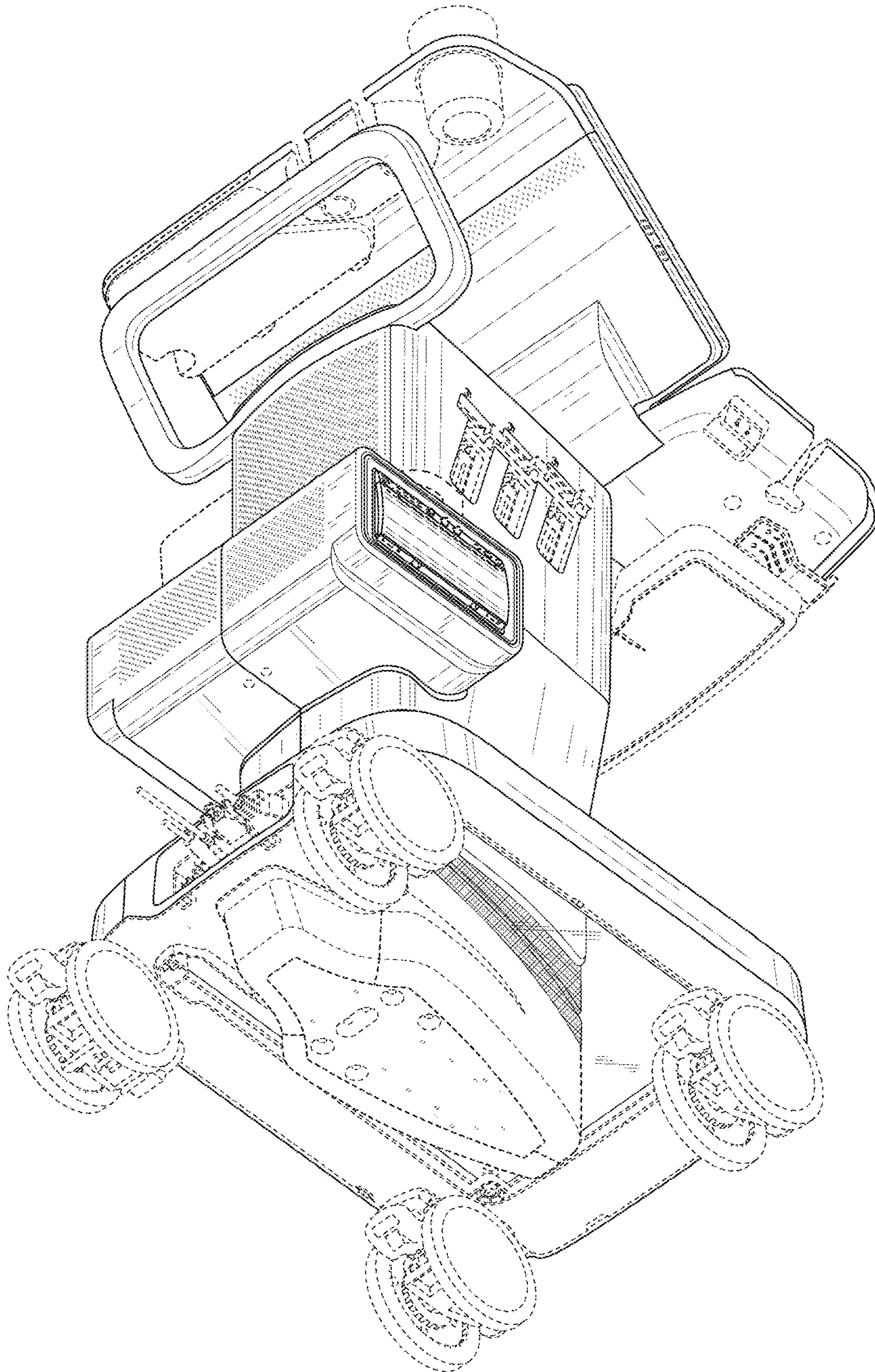


FIG. 13

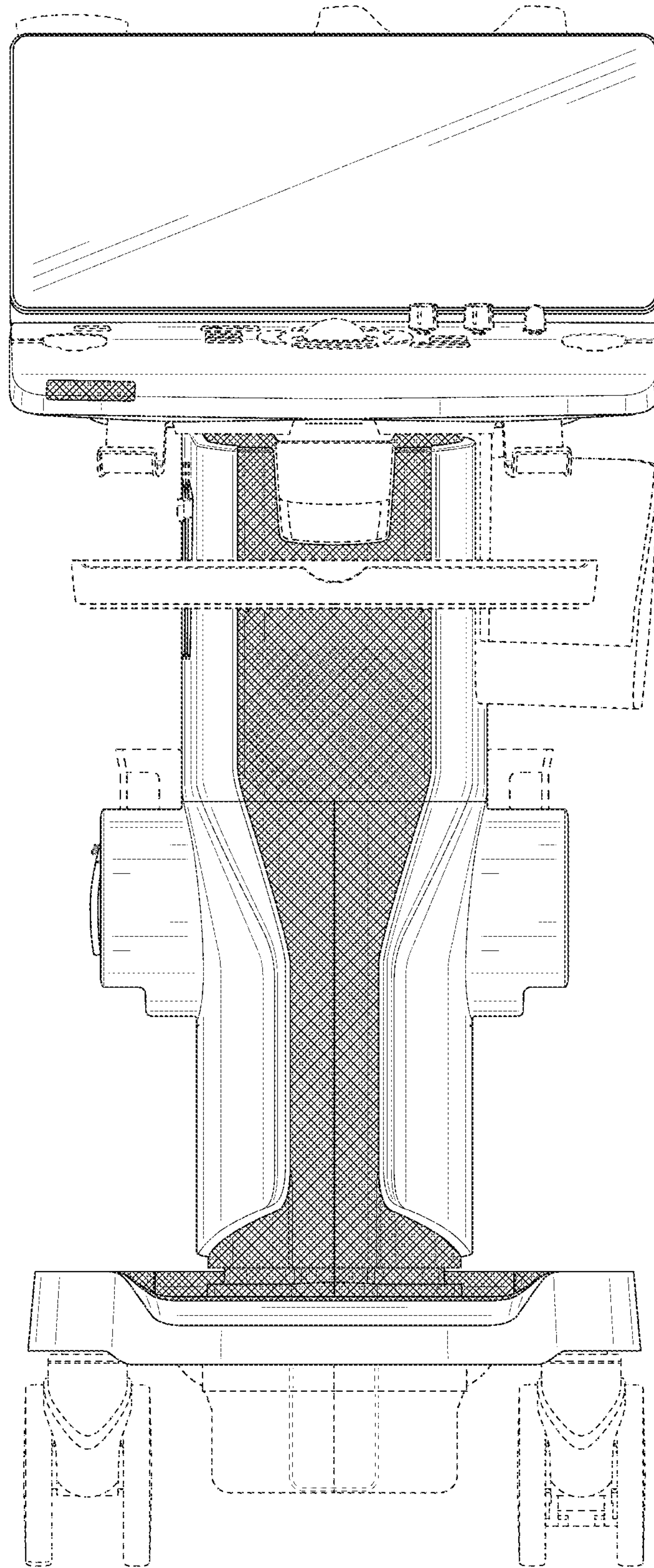


FIG. 14

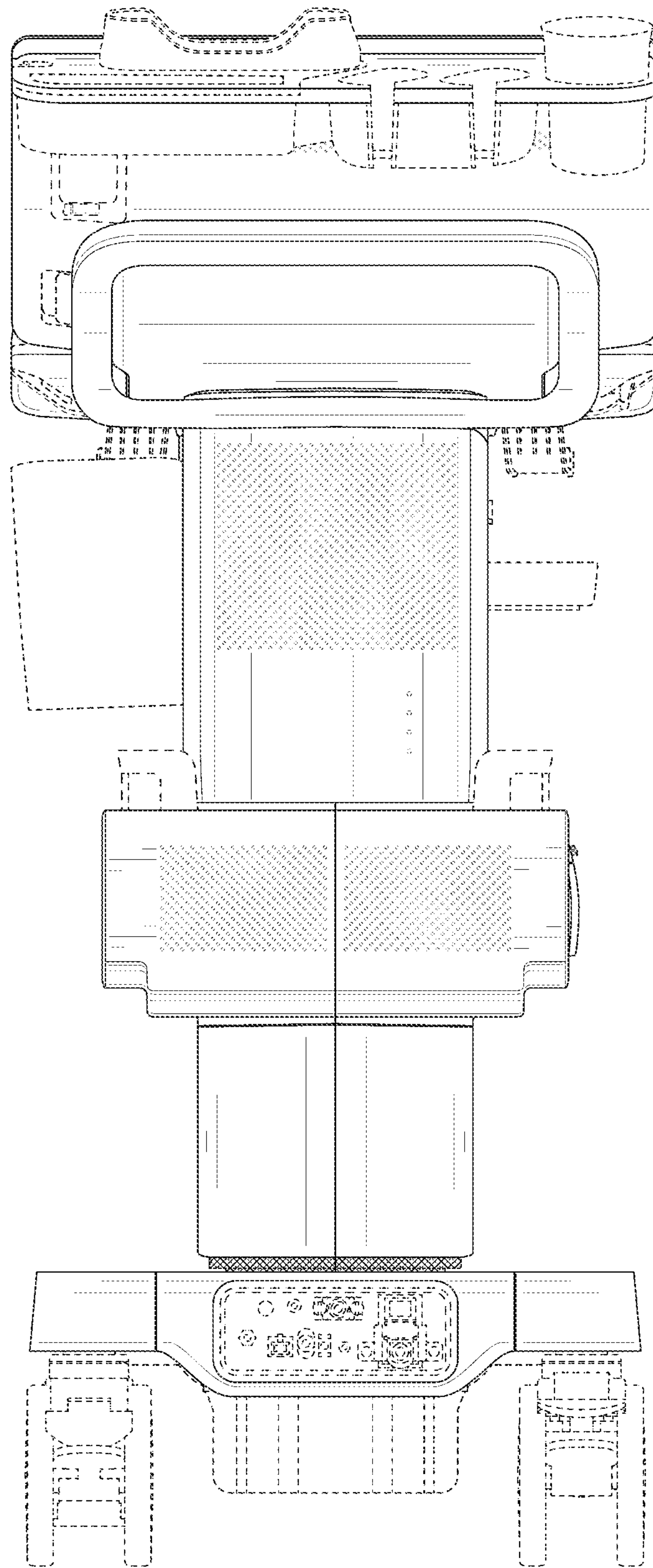


FIG. 15

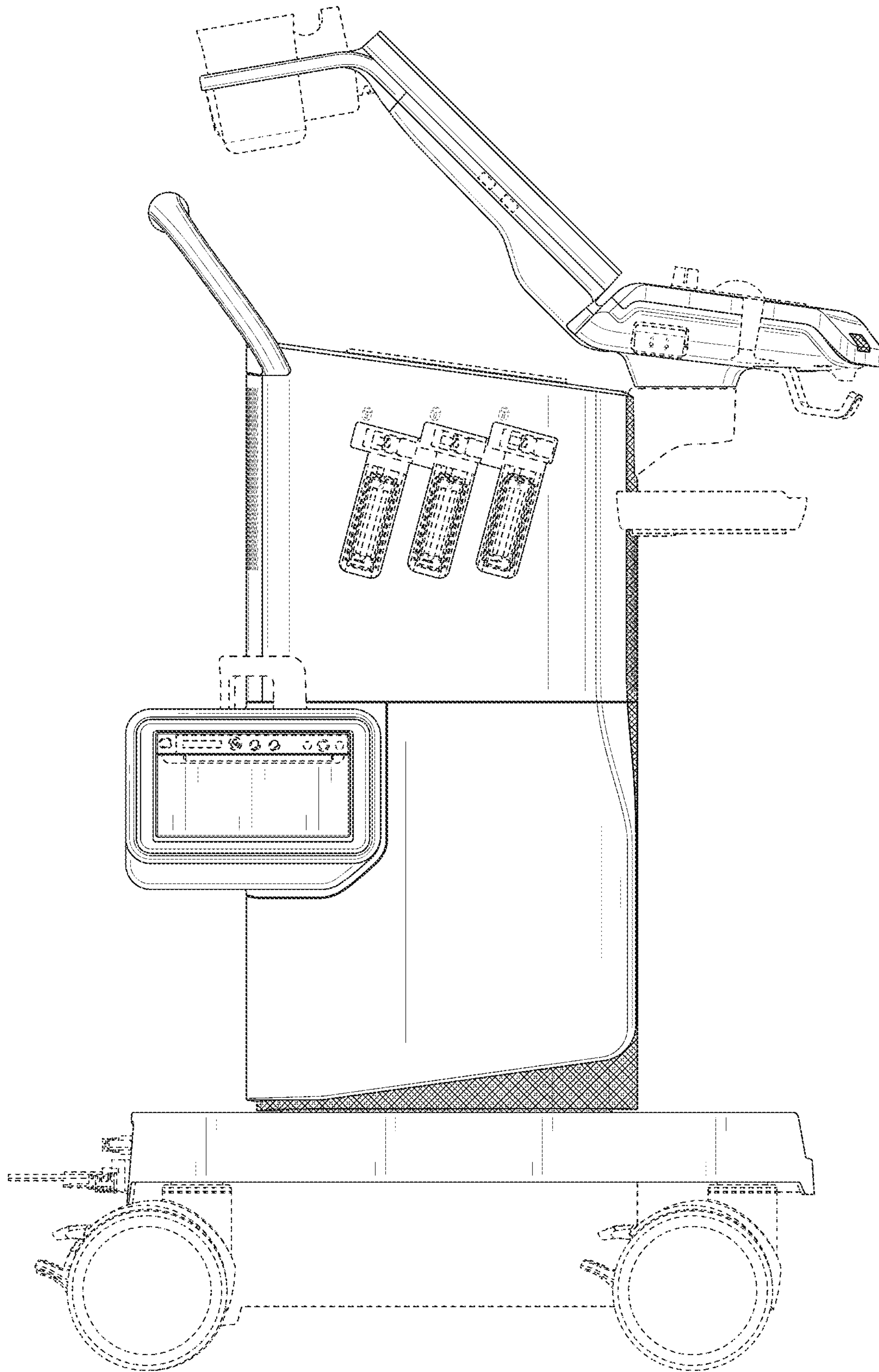


FIG. 16

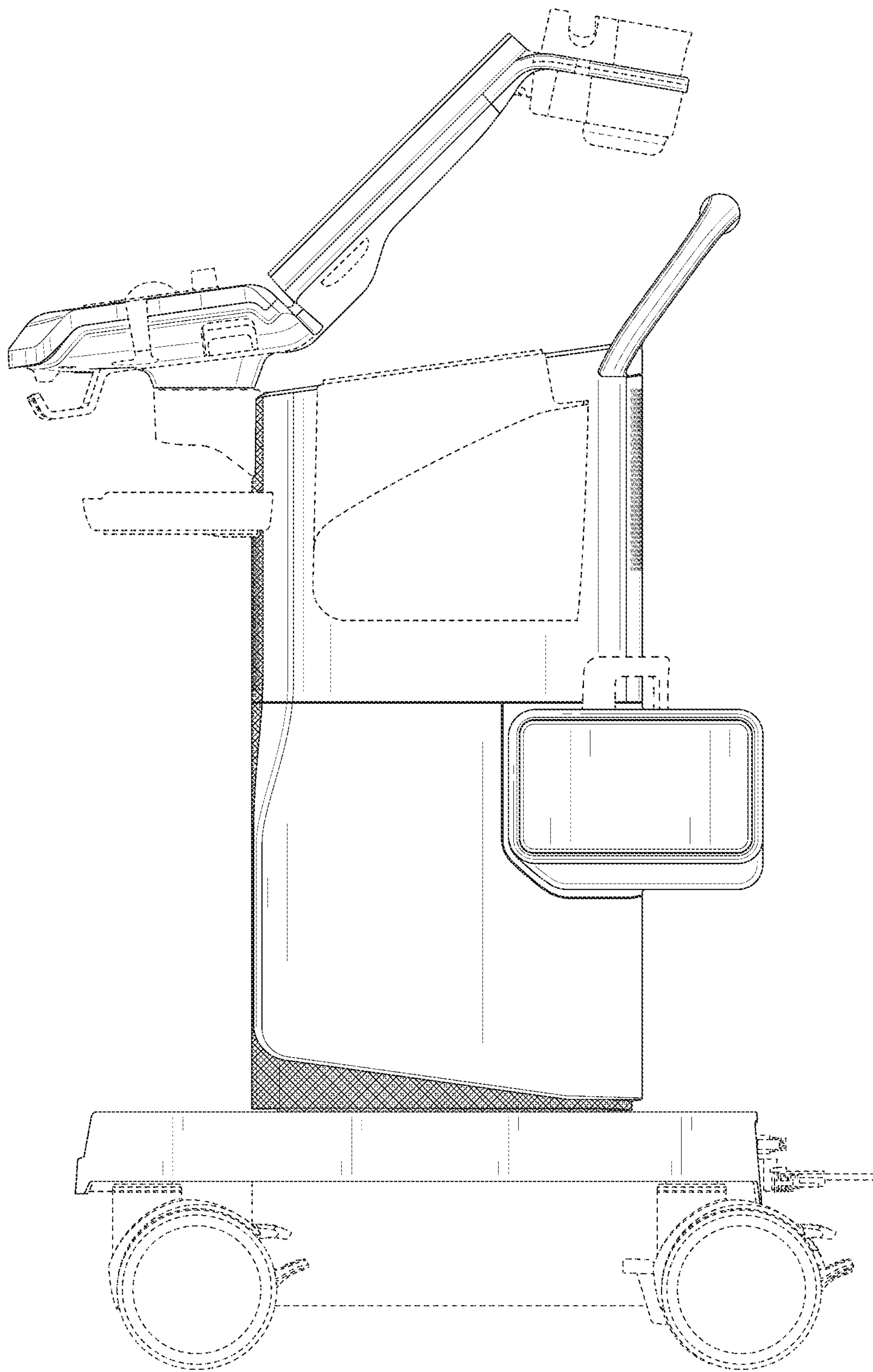


FIG. 17

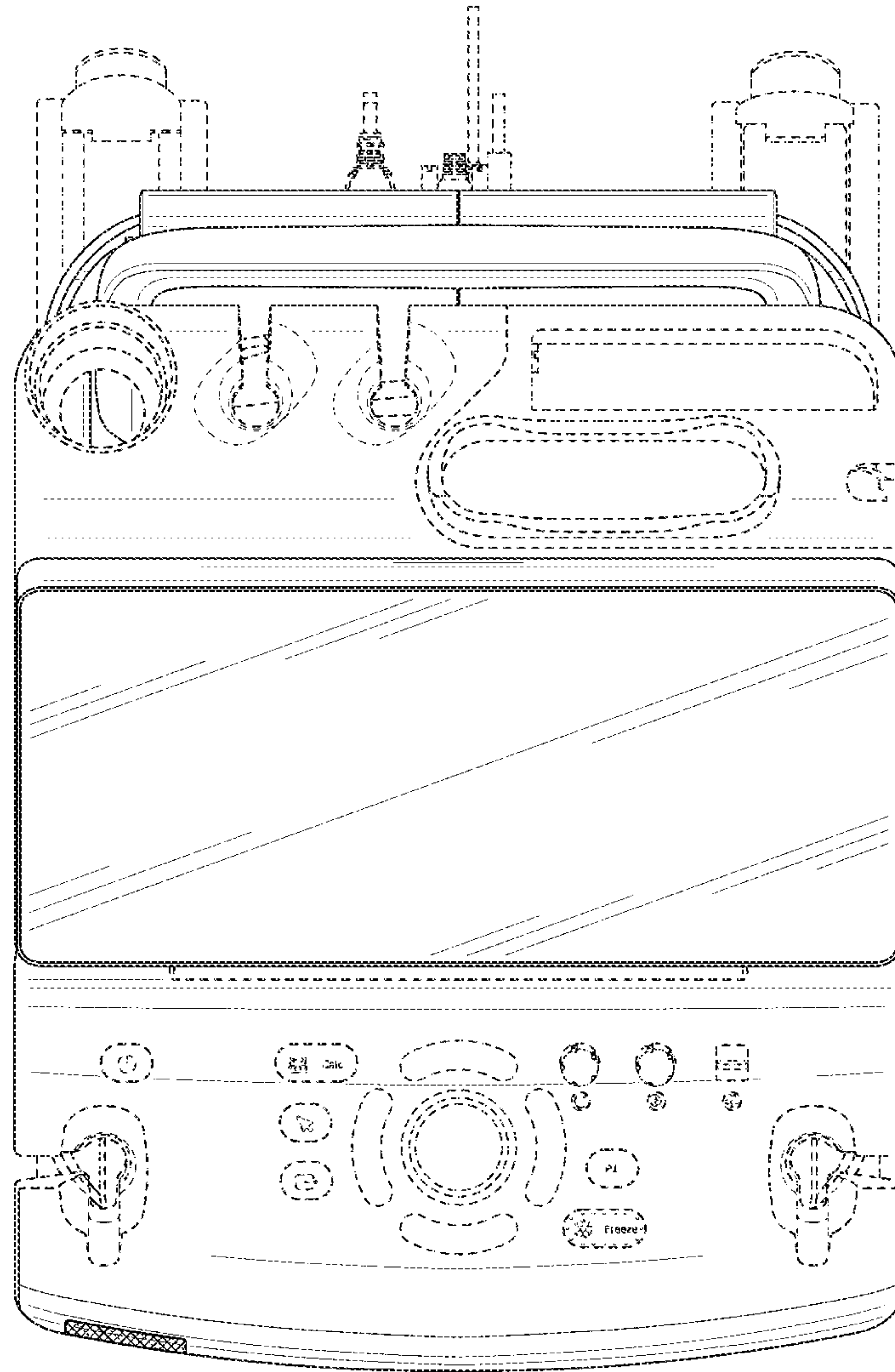


FIG. 18

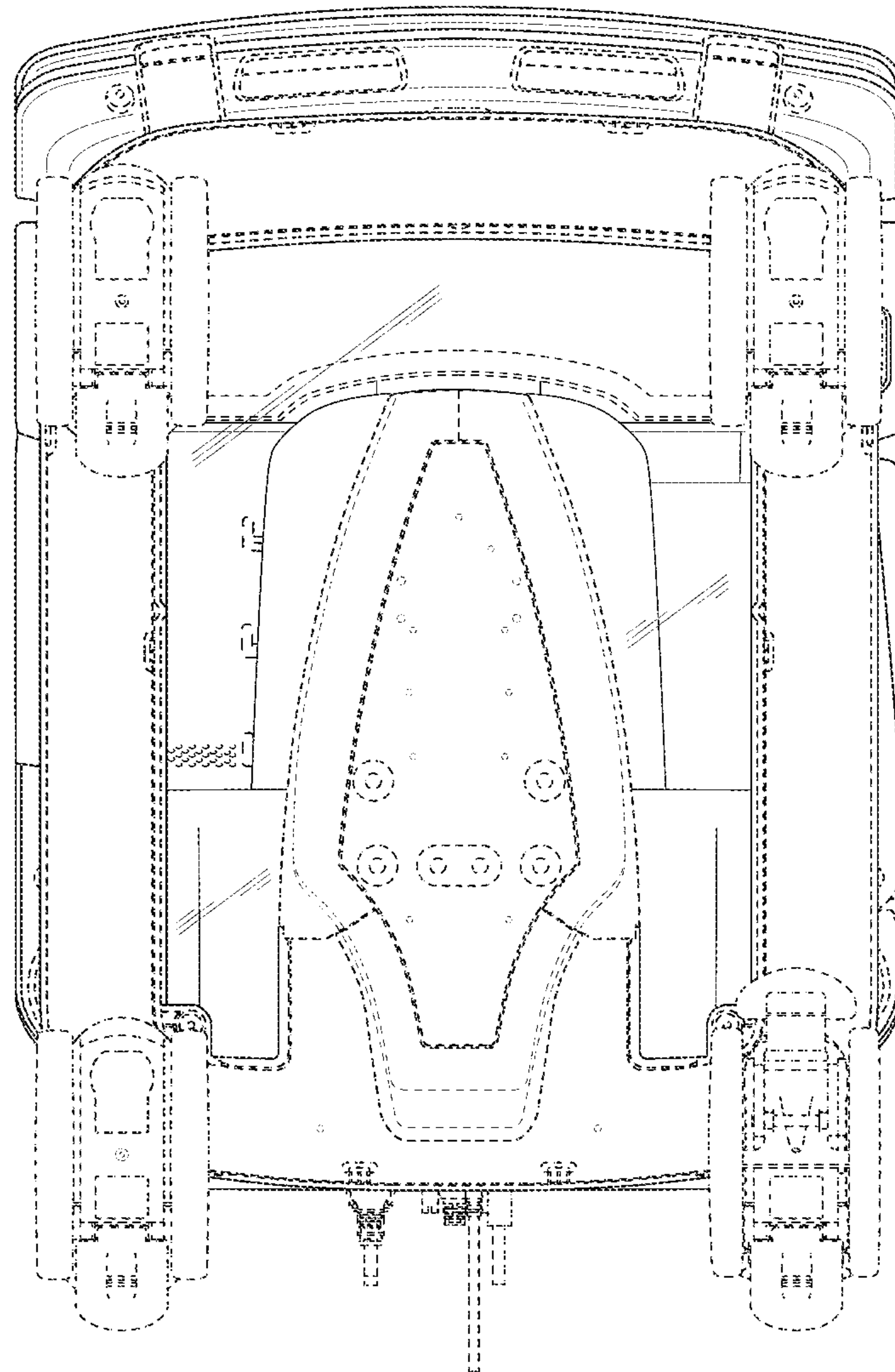


FIG. 19

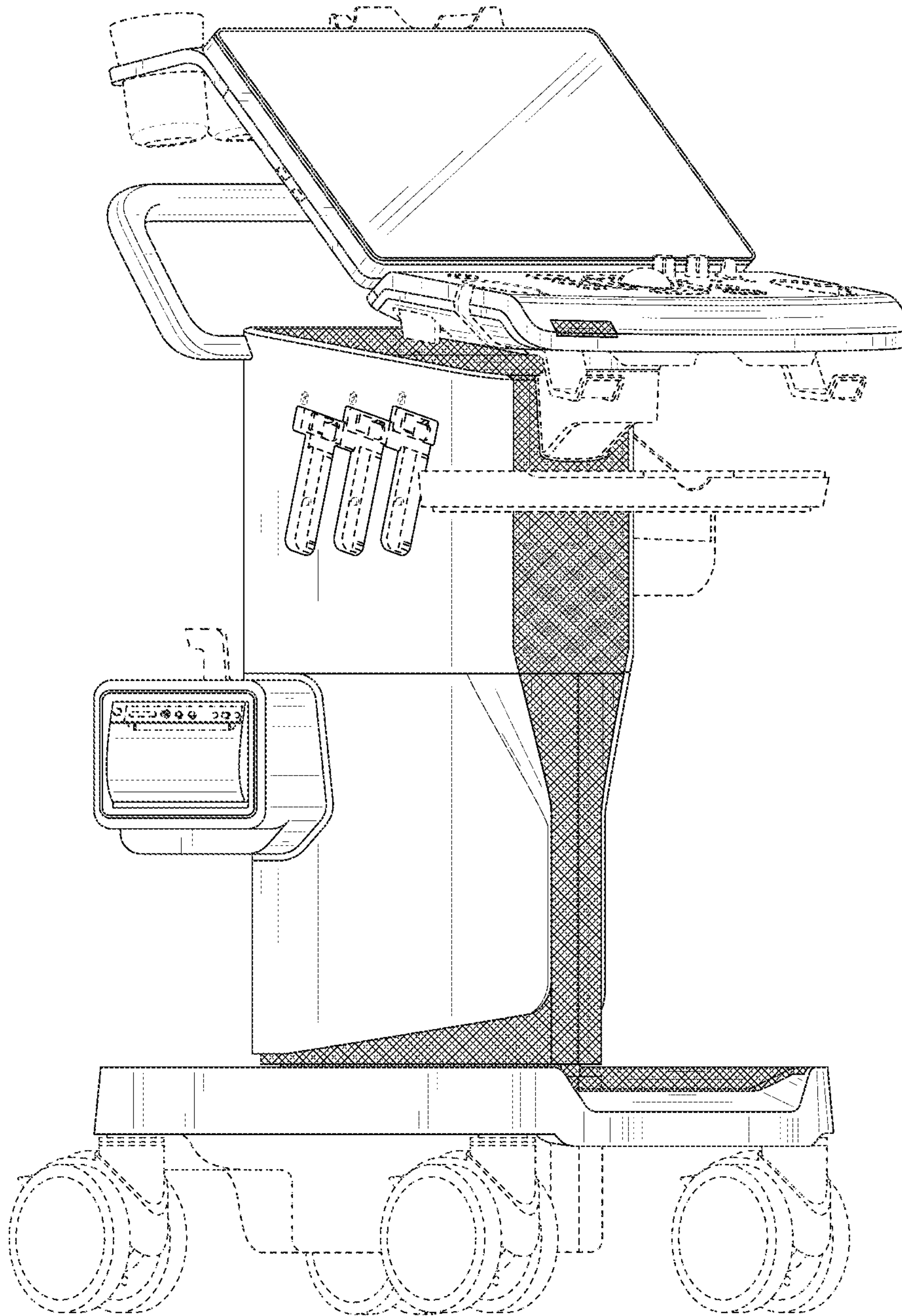


FIG. 20

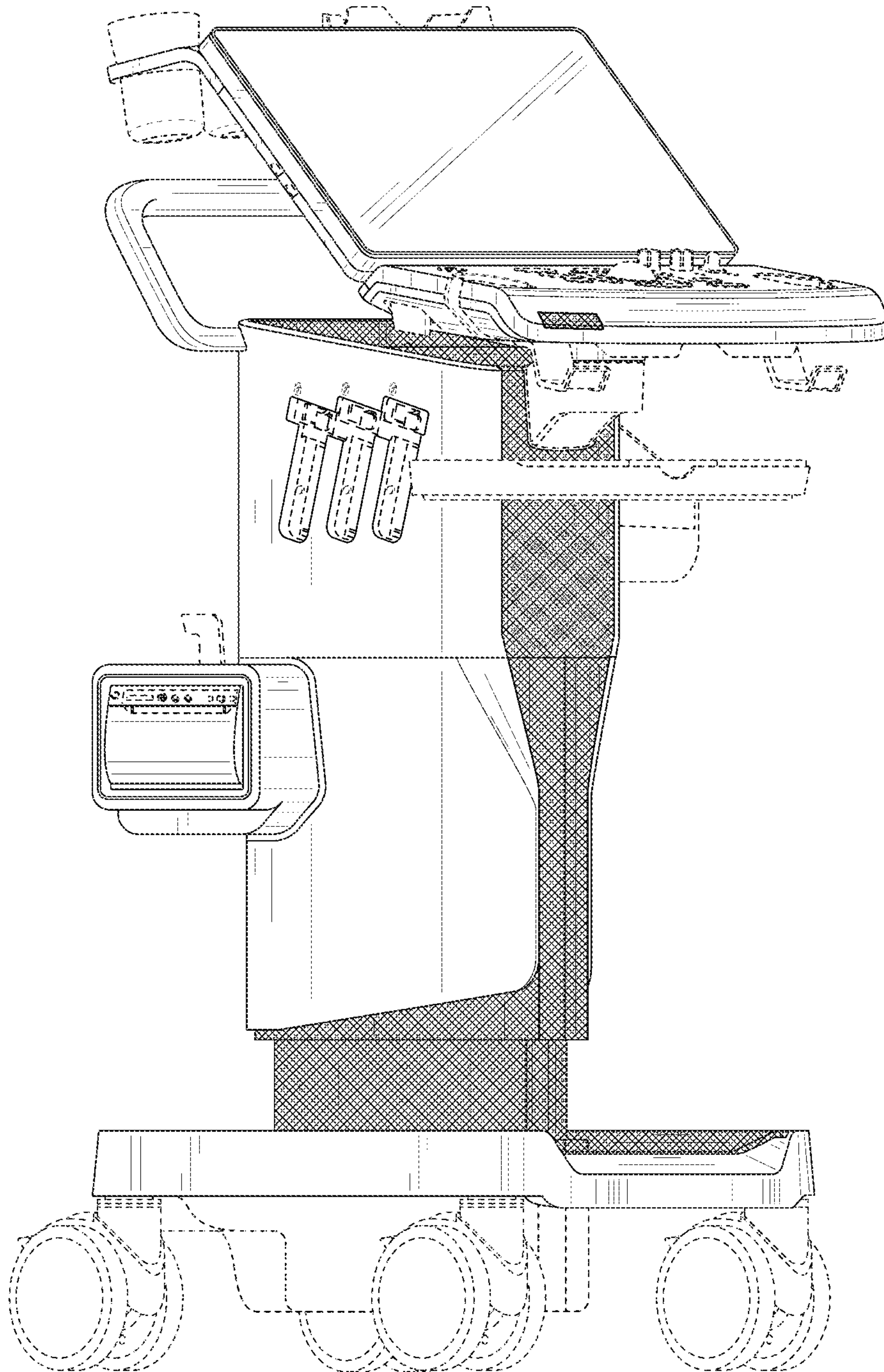


FIG. 21

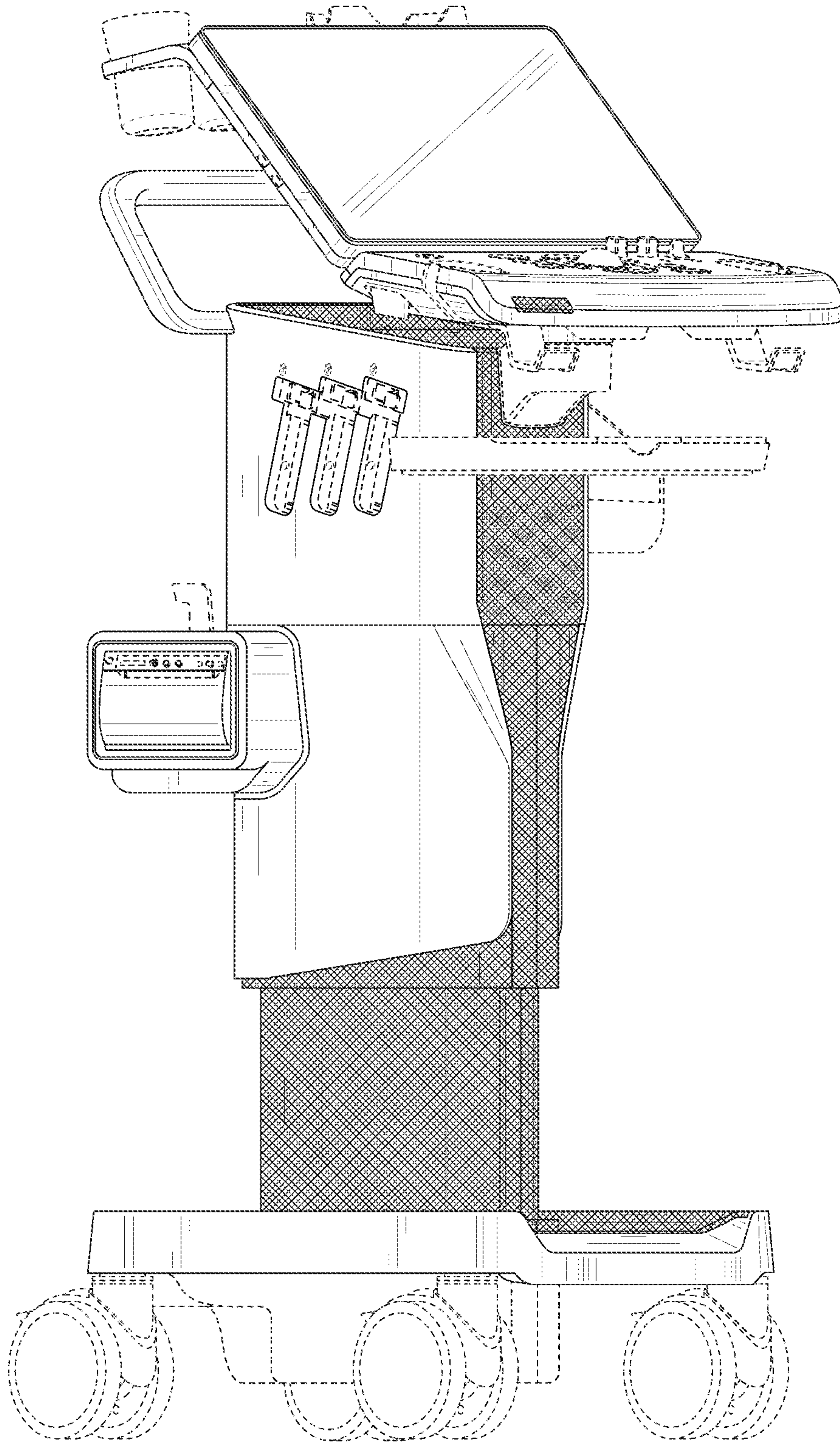


FIG. 22