



US00D989319S

(12) **United States Design Patent**  
**Johnson et al.**

(10) **Patent No.:** **US D989,319 S**  
(45) **Date of Patent:** **\*\* Jun. 13, 2023**

(54) **HEARING DEVICE**

(71) Applicant: **Starkey Laboratories, Inc.**, Eden Prairie, MN (US)

(72) Inventors: **Nathan Curtis Johnson**, Monticello, MN (US); **Craig Michael Standish**, Waconia, MN (US); **Jaclyn Ellen Lowery**, San Francisco, CA (US); **Jack Andrew Marple**, Salt Lake City, UT (US); **Dayne Nathaniel Tanner**, Salt Lake City, UT (US); **Thaddeus Rockwell Hoffman**, Brooklyn Park, MN (US)

(73) Assignee: **Starkey Laboratories, Inc.**, Eden Prairie, MN (US)

(\*\*) Term: **15 Years**

(21) Appl. No.: **29/788,820**

(22) Filed: **Jul. 30, 2021**

(51) **LOC (14) Cl.** ..... **24-99**

(52) **U.S. Cl.**  
USPC ..... **D24/174; D14/223**

(58) **Field of Classification Search**  
USPC ..... **D24/173-175; D14/205, 223**  
(Continued)

(56) **References Cited**

**U.S. PATENT DOCUMENTS**

D670,814 S \* 11/2012 Kwon ..... D24/174  
D674,094 S \* 1/2013 Takano ..... D24/174  
(Continued)

**FOREIGN PATENT DOCUMENTS**

WO D209306-006 \* 7/2020

**OTHER PUBLICATIONS**

“EvolvAI Brochure”, Starkey, (2023), 4 pgs.  
“EvolvAI Brochure”, Starkey, (2022), 9 pgs.  
“Hearing Aid brochure”, Starkey, (2022), 2 pgs.

*Primary Examiner* — Anhdao Doan

(74) *Attorney, Agent, or Firm* — Schwegman Lundberg & Woessner, P.A.

(57) **CLAIM**

The ornamental design for a hearing device, as shown and described.

**DESCRIPTION**

FIG. 1 is a first perspective view of an embodiment of a hearing device, showing the new design.

FIG. 2 is a second perspective view of the hearing device of FIG. 1.

FIG. 3 is a front view of the hearing device of FIG. 1.

FIG. 4 is a back view of the hearing device of FIG. 1.

FIG. 5 is a top view of the hearing device of FIG. 1.

FIG. 6 is a bottom view of the hearing device of FIG. 1.

FIG. 7 is a first side view of the hearing device of FIG. 1.

FIG. 8 is a second side view of the hearing device of FIG. 1.

FIG. 9 is a detailed perspective view of a first portion of the hearing device of FIG. 1.

FIG. 10 is a detailed perspective view of a second portion of the hearing device of FIG. 1.

FIG. 11 is a cross sectional view of the first portion of the hearing device of FIG. 9.

FIG. 12 is a cross sectional view of the second portion of the hearing device of FIG. 10.

FIG. 13 is a first perspective view of another embodiment of a hearing device, showing the new design.

FIG. 14 is a second perspective view of the hearing device of FIG. 13.

FIG. 15 is a front view of the hearing device of FIG. 13.

FIG. 16 is a back view of the hearing device of FIG. 13.

FIG. 17 is a top view of the hearing device of FIG. 13.

FIG. 18 is a bottom view of the hearing device of FIG. 13.

FIG. 19 is a first side view of the hearing device of FIG. 13.

FIG. 20 is a second side view of the hearing device of FIG. 13.

FIG. 21 is a detailed perspective view of a first portion of the hearing device of FIG. 13.

FIG. 22 is a detailed perspective view of a second portion of the hearing device of FIG. 13.

FIG. 23 is a cross sectional view of the first portion of the hearing device of FIG. 21; and,

(Continued)

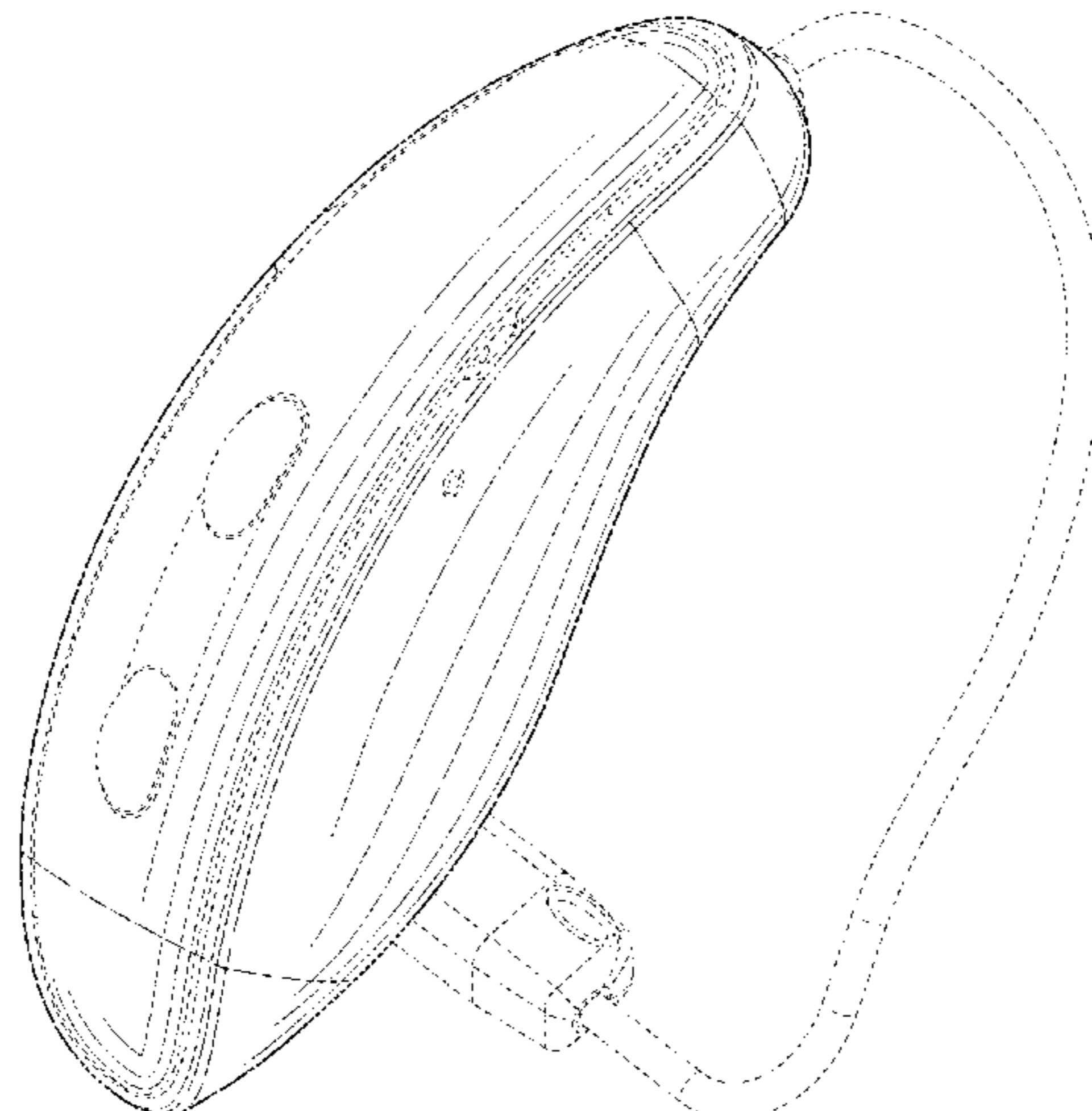


FIG. 24 is a cross sectional view of the second portion of the hearing device of FIG. 22.

The broken lines depict portions of the hearing device that form no part of the claimed design.

**1 Claim, 20 Drawing Sheets**

**(58) Field of Classification Search**

CPC ..... H04R 2225/021; H04R 2225/023; H04R 2225/025; H04R 25/604; A45F 5/004; A45F 2205/0516; H01L 23/02; H01Q 7/00

See application file for complete search history.

**(56) References Cited**

U.S. PATENT DOCUMENTS

D676,558 S     2/2013 Meinertz  
D676,967 S     2/2013 Meinertz

8,374,370 B2	2/2013	Zhang et al.	
D691,728 S	10/2013	Svensson	
D698,025 S	1/2014	Jensen et al.	
D698,027 S	1/2014	Olsen	
D705,936 S	5/2014	Lockenwitz	
D720,460 S	12/2014	Jensen et al.	
D722,167 S	2/2015	Li	
D762,305 S	7/2016	Gabathuler et al.	
D775,737 S	1/2017	Meinertz	
D797,940 S	9/2017	Tipsmark et al.	
10,244,301 B2	3/2019	Kindred	
D855,187 S	7/2019	Lockenwitz	
D896,387 S *	9/2020	Shi .....	D24/174
D896,968 S *	9/2020	Yu .....	D24/174
10,812,915 B2	10/2020	Santos et al.	
D908,221 S	1/2021	Lockenwitz	
11,317,863 B2	5/2022	Xu et al.	
D961,779 S *	8/2022	Silva .....	D24/174
11,463,827 B2 *	10/2022	Sacha .....	H04R 25/60
2009/0279727 A1 *	11/2009	Brimhall .....	H04R 25/602 381/323
2016/0234614 A1 *	8/2016	Johnson .....	H04R 25/603

\* cited by examiner

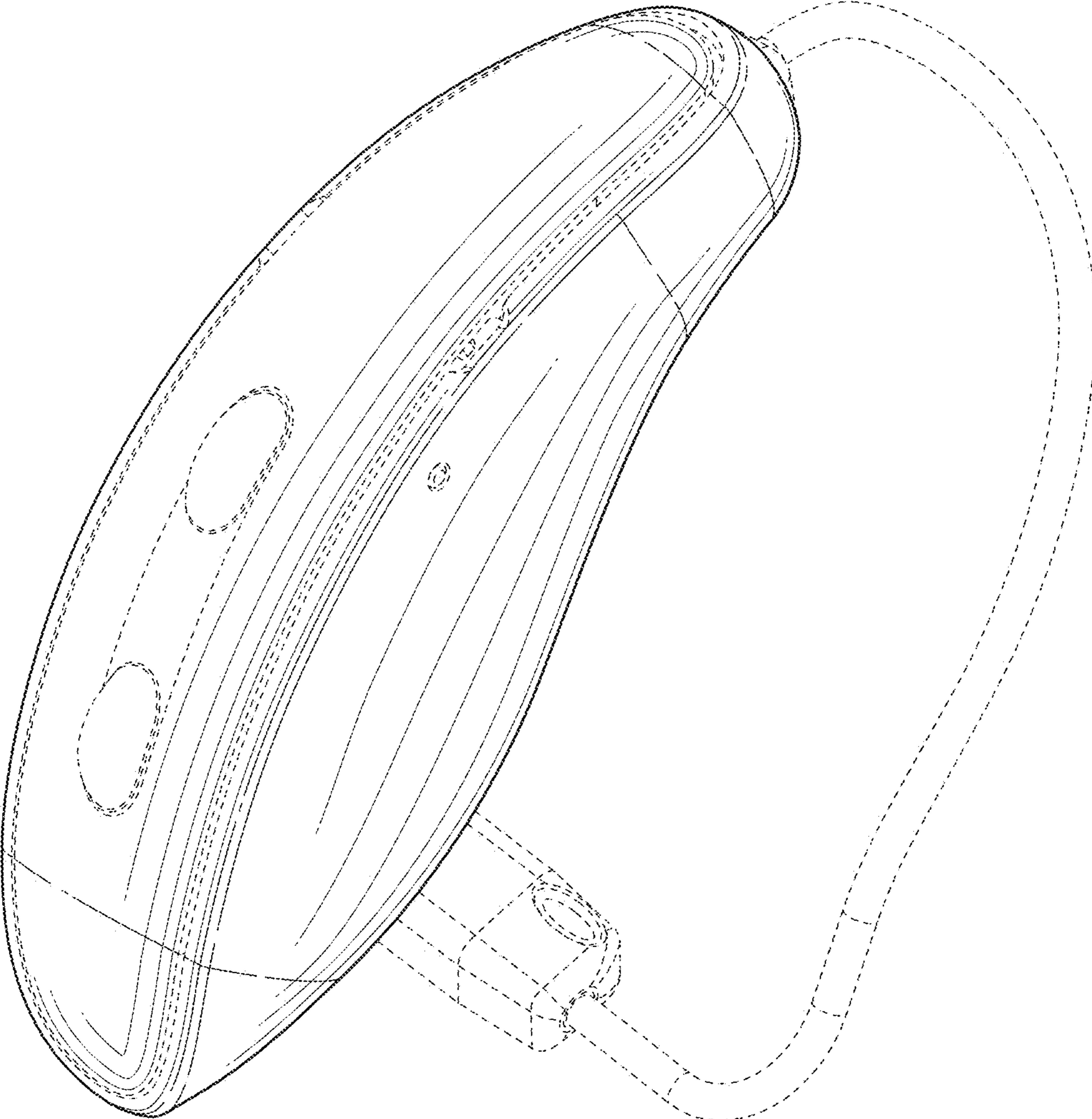


FIG. 1

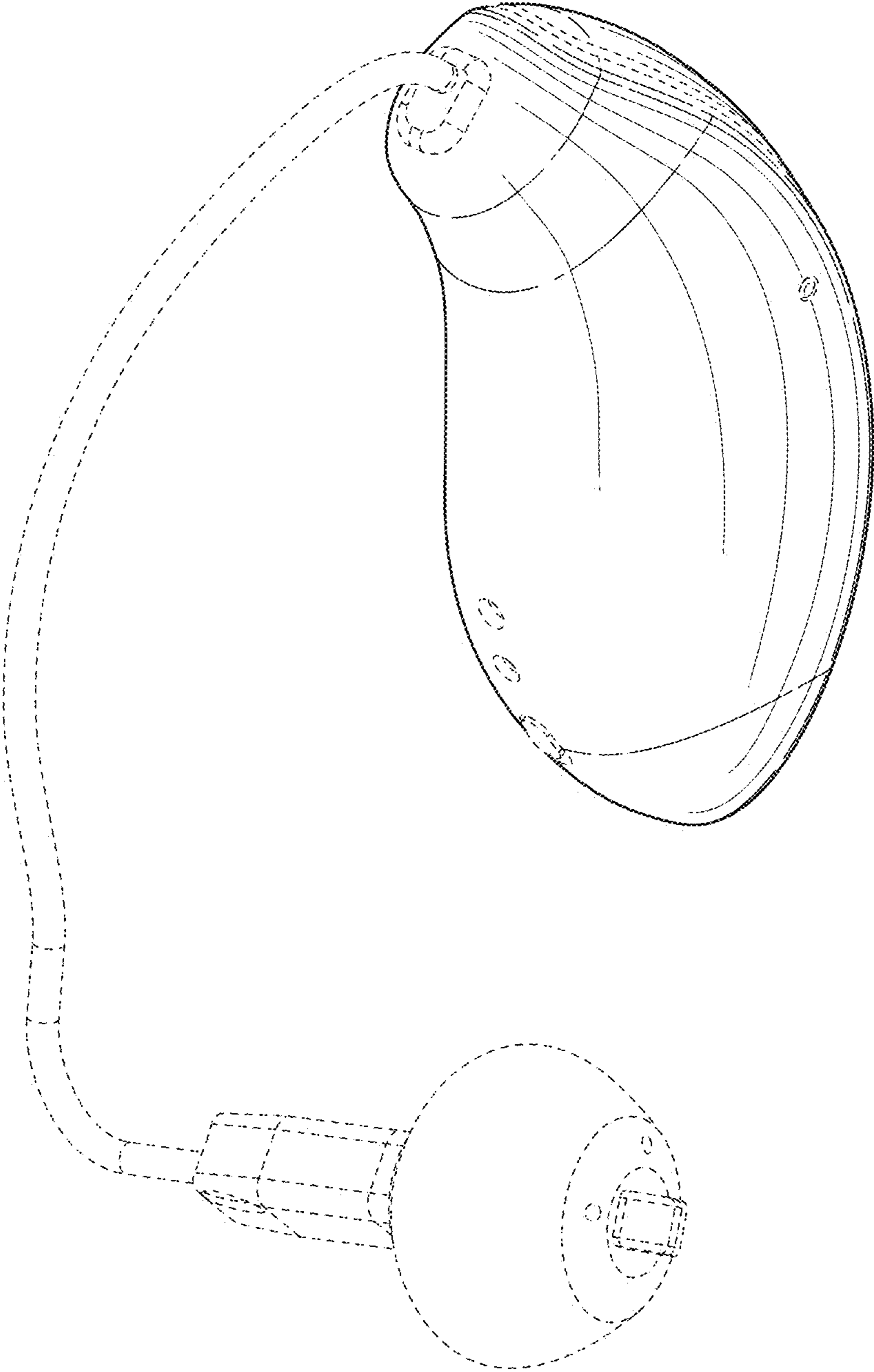


FIG. 2



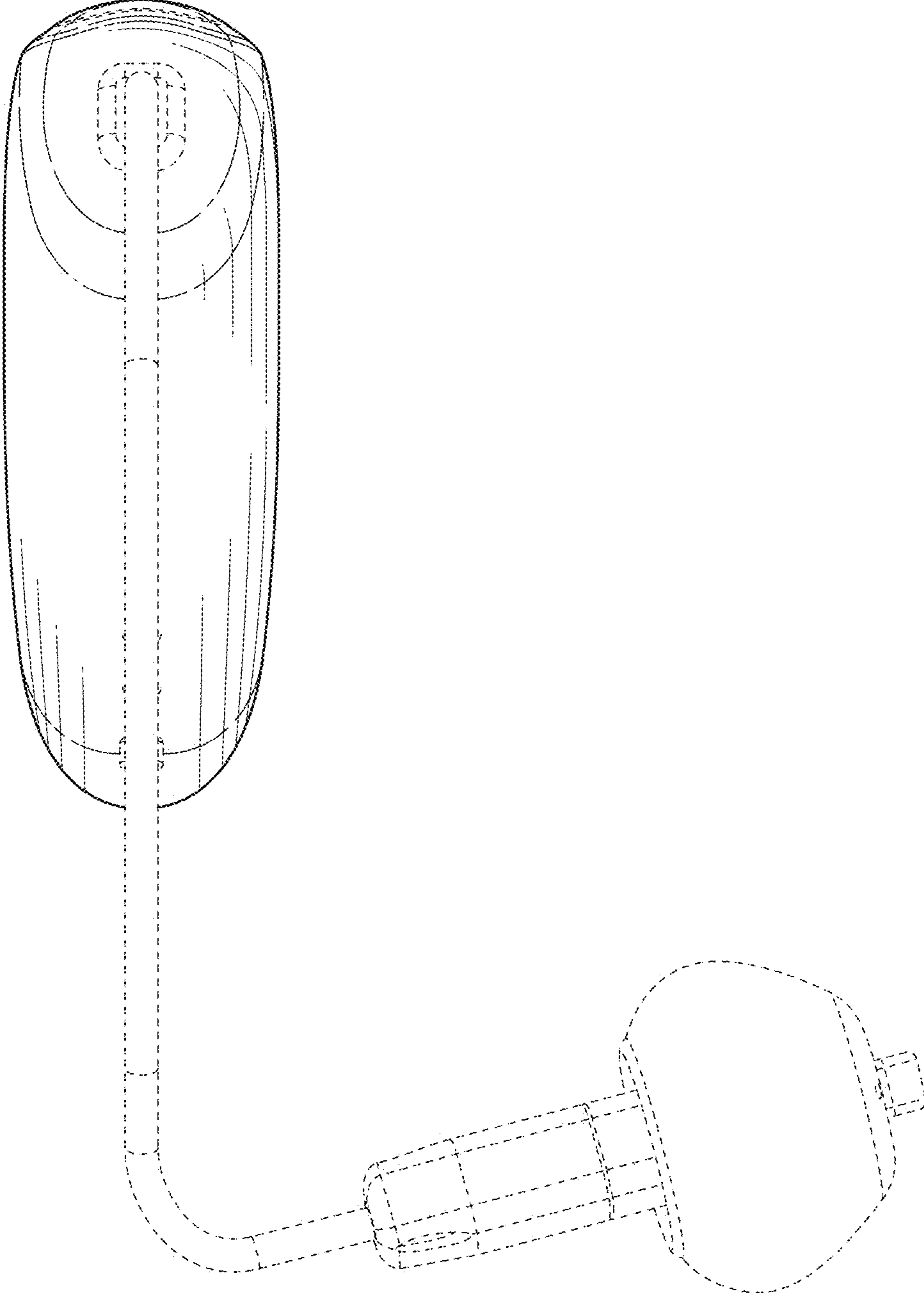


FIG. 3

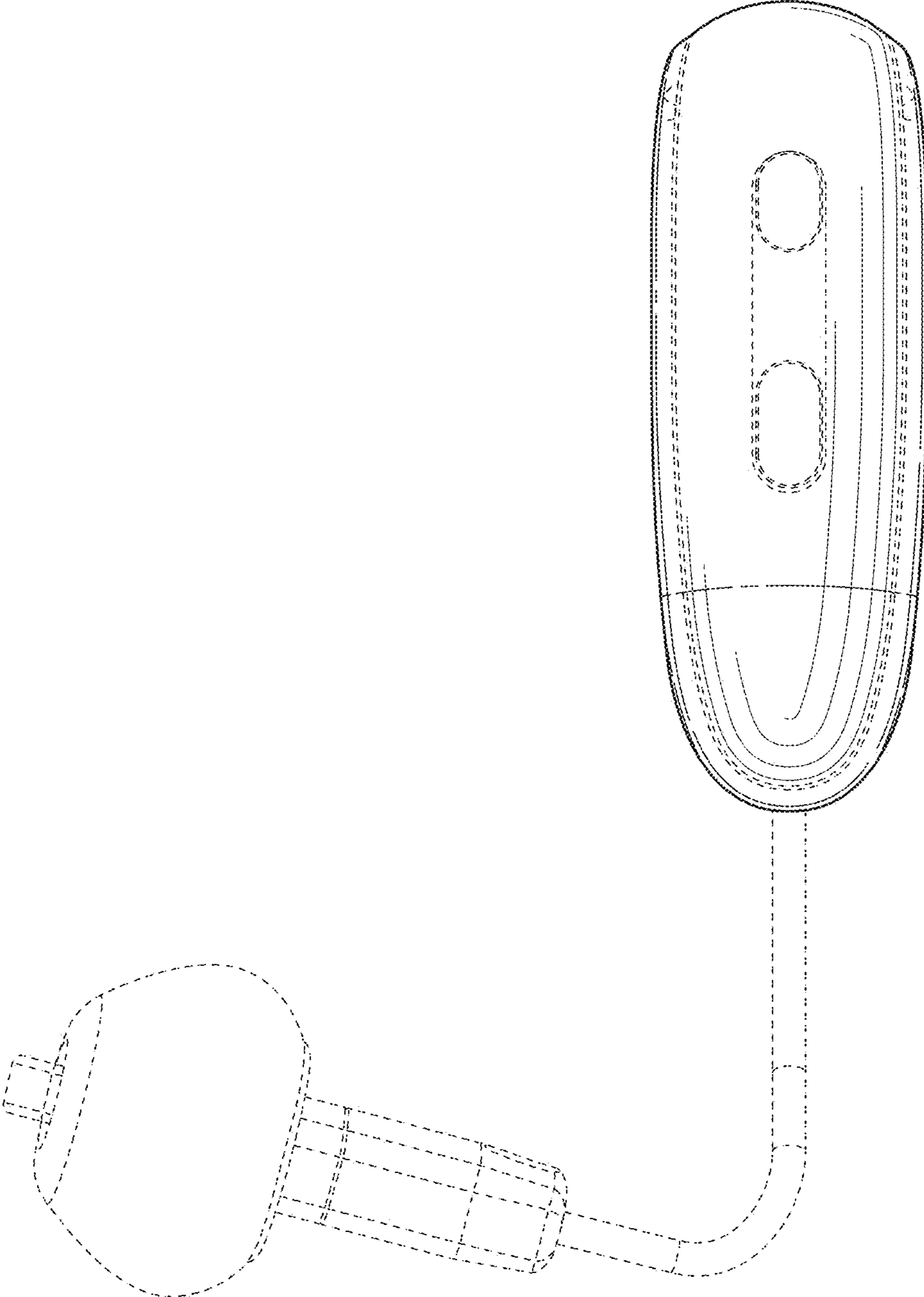


FIG. 4

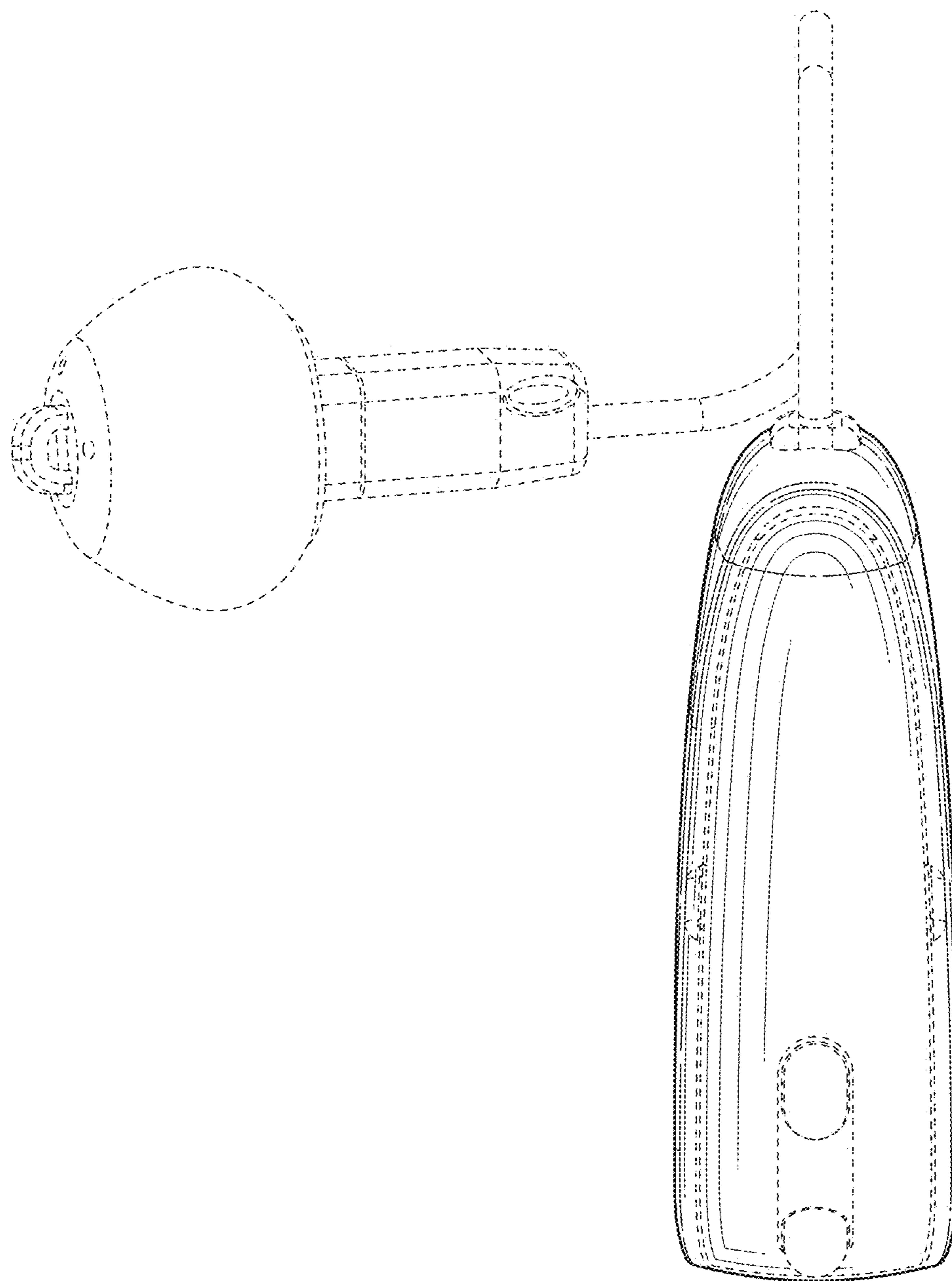


FIG. 5

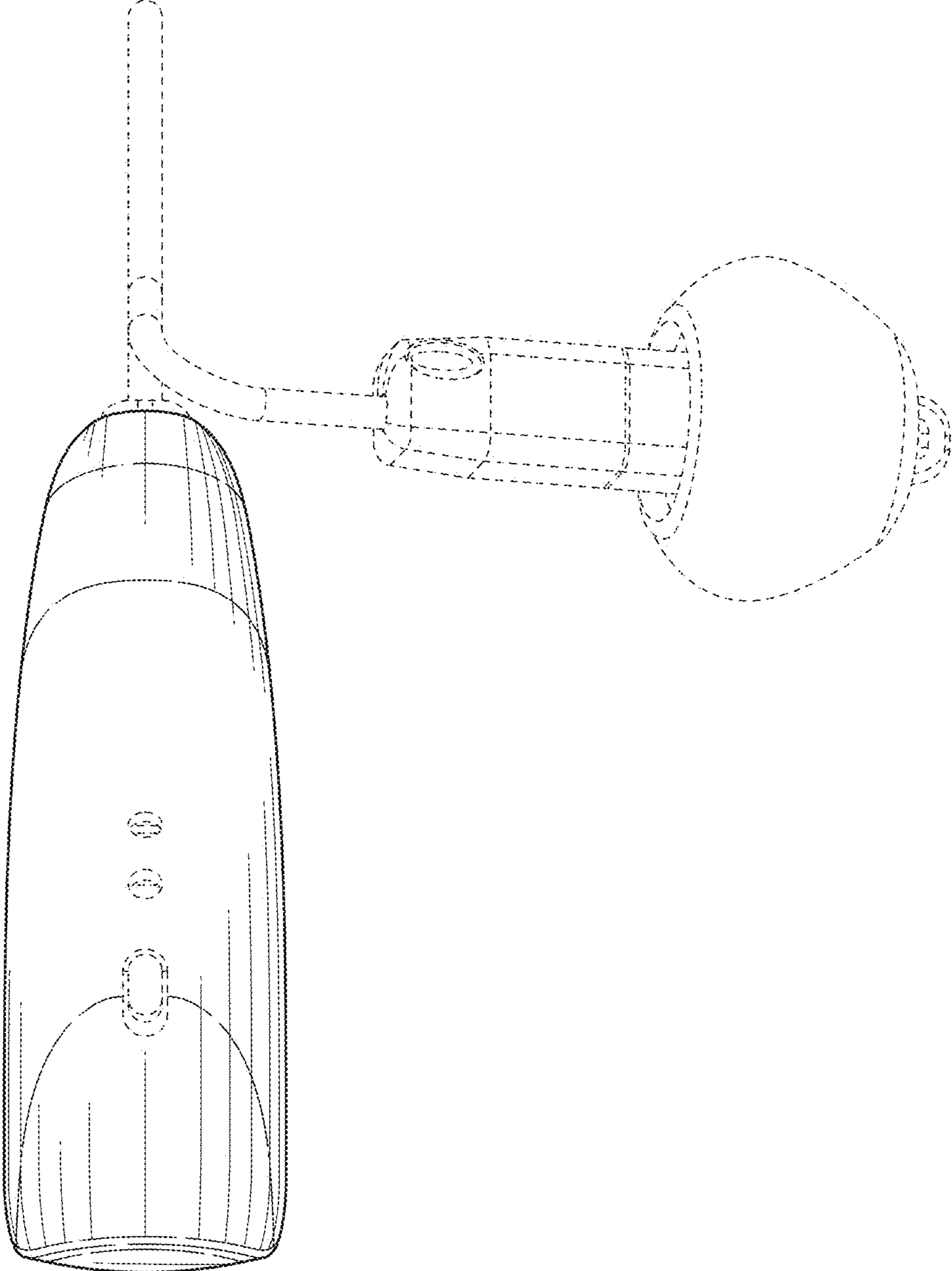


FIG. 6



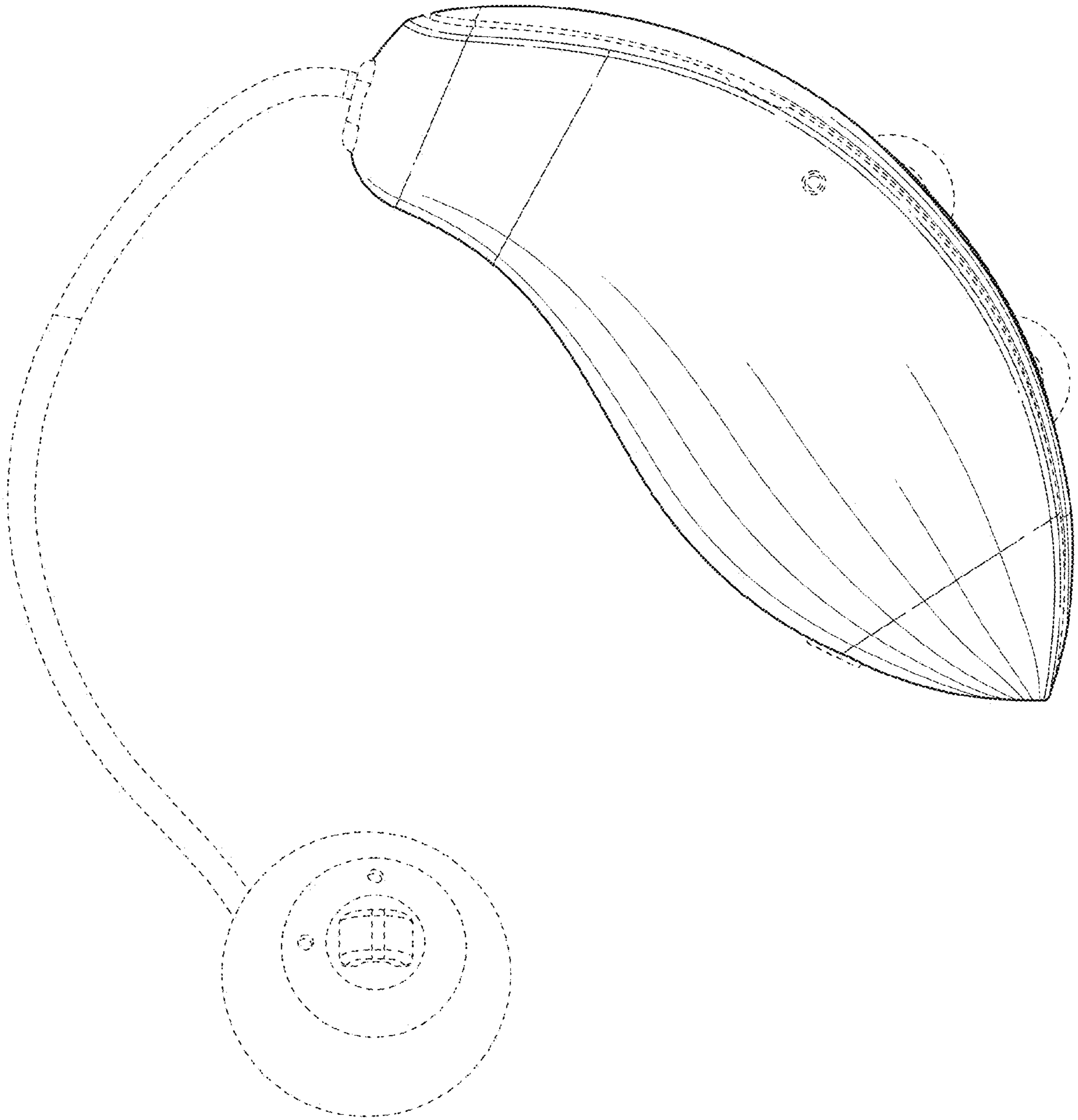


FIG. 7

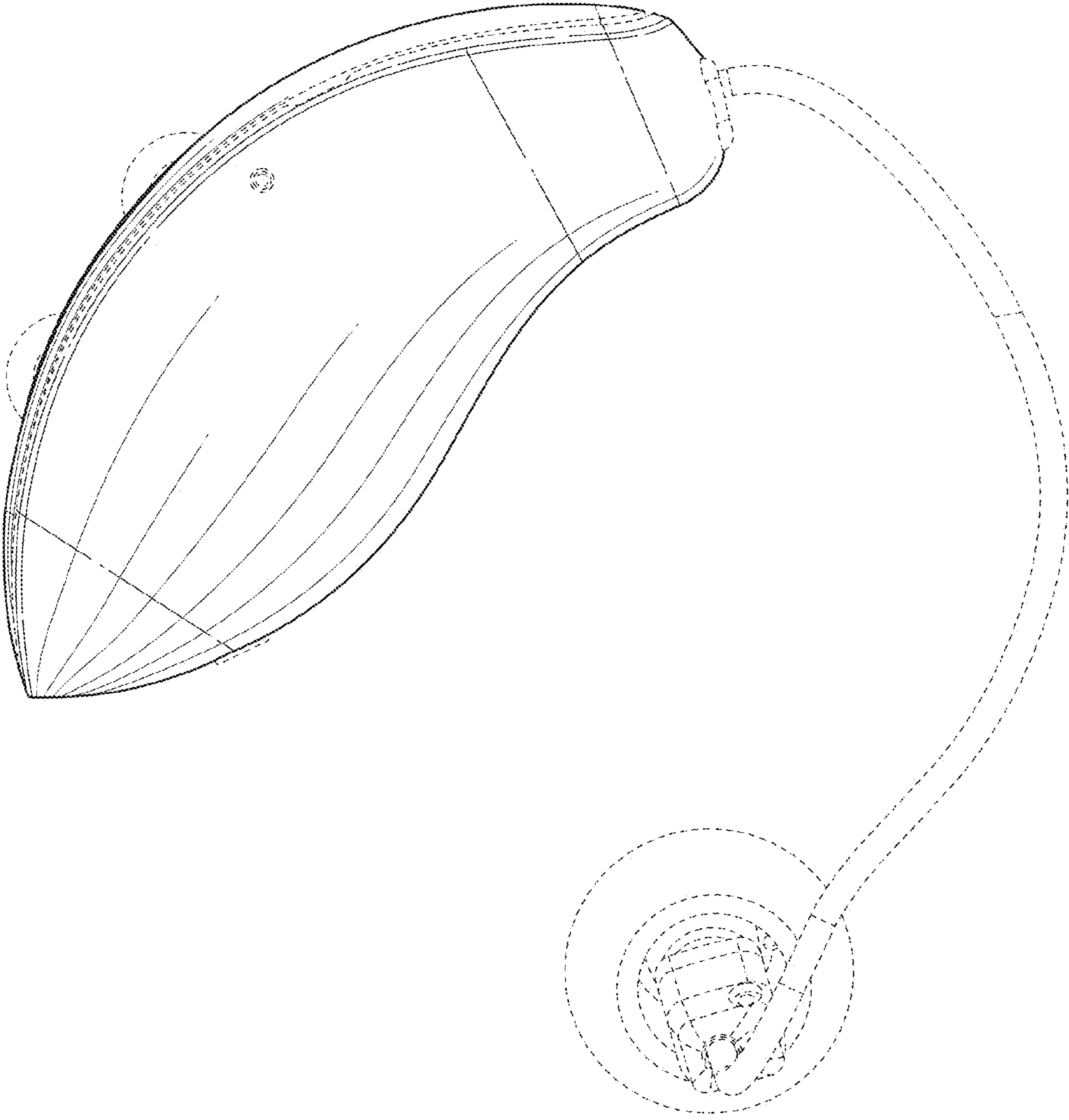


FIG. 8

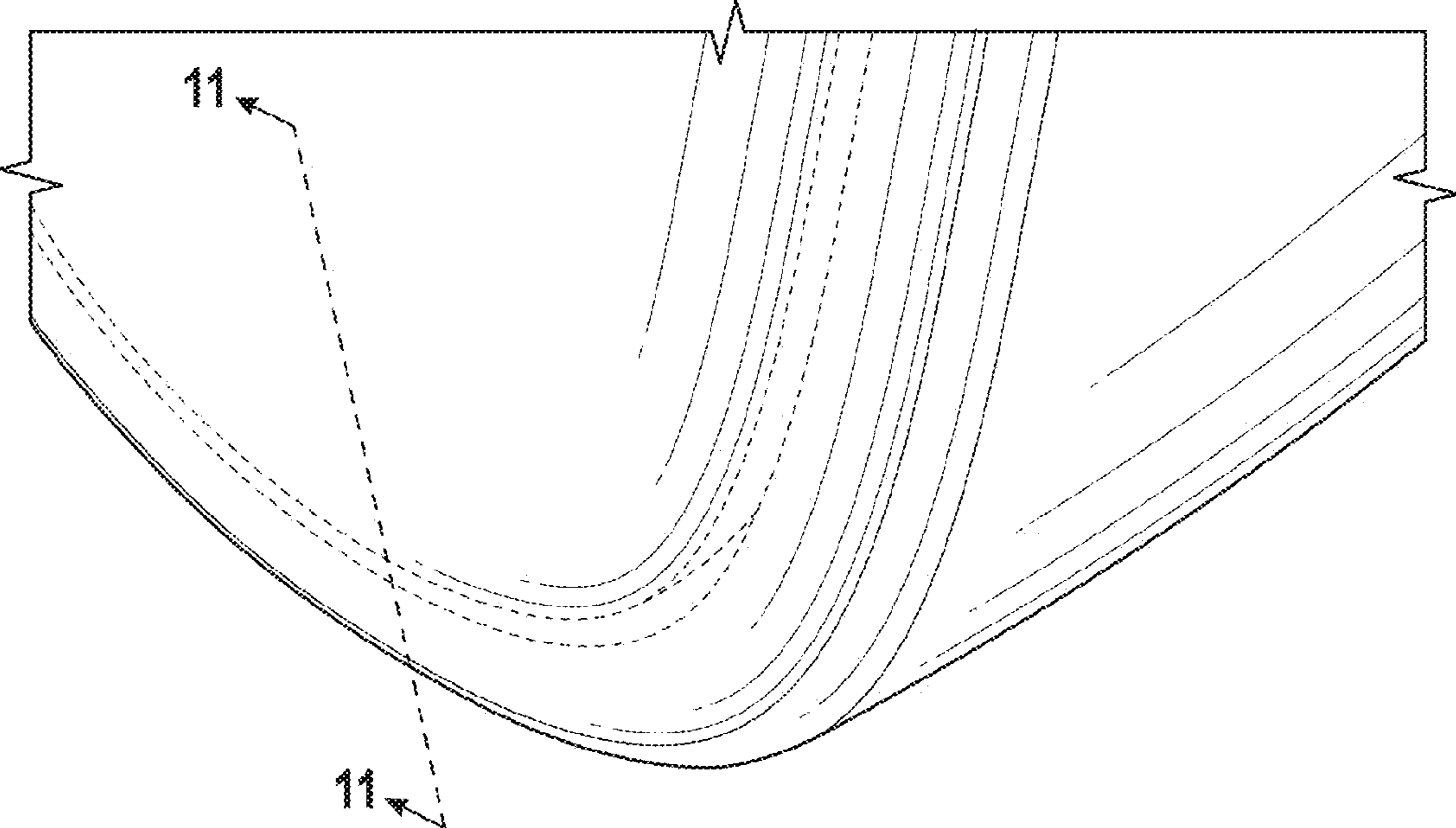


FIG. 9

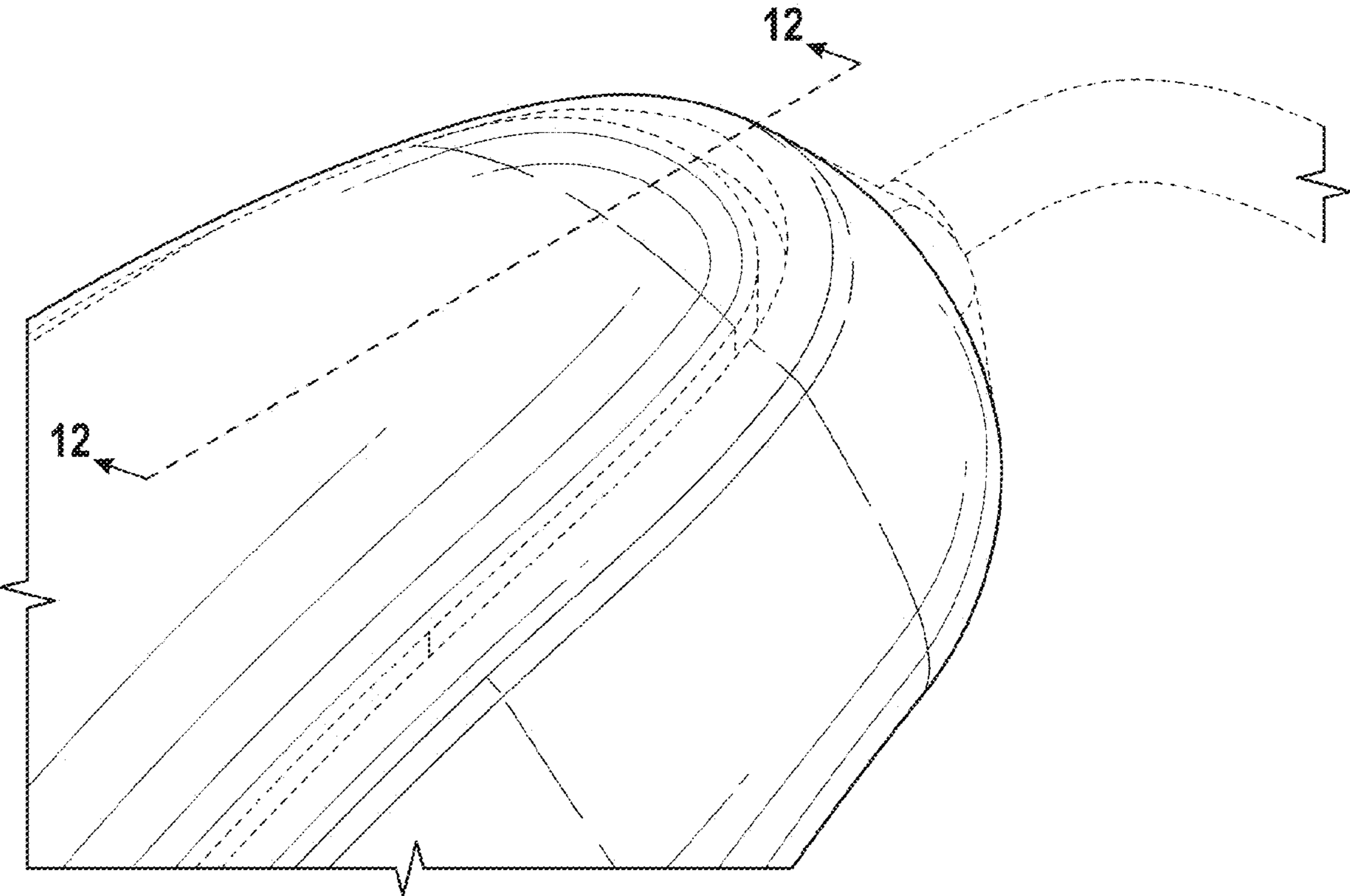


FIG. 10

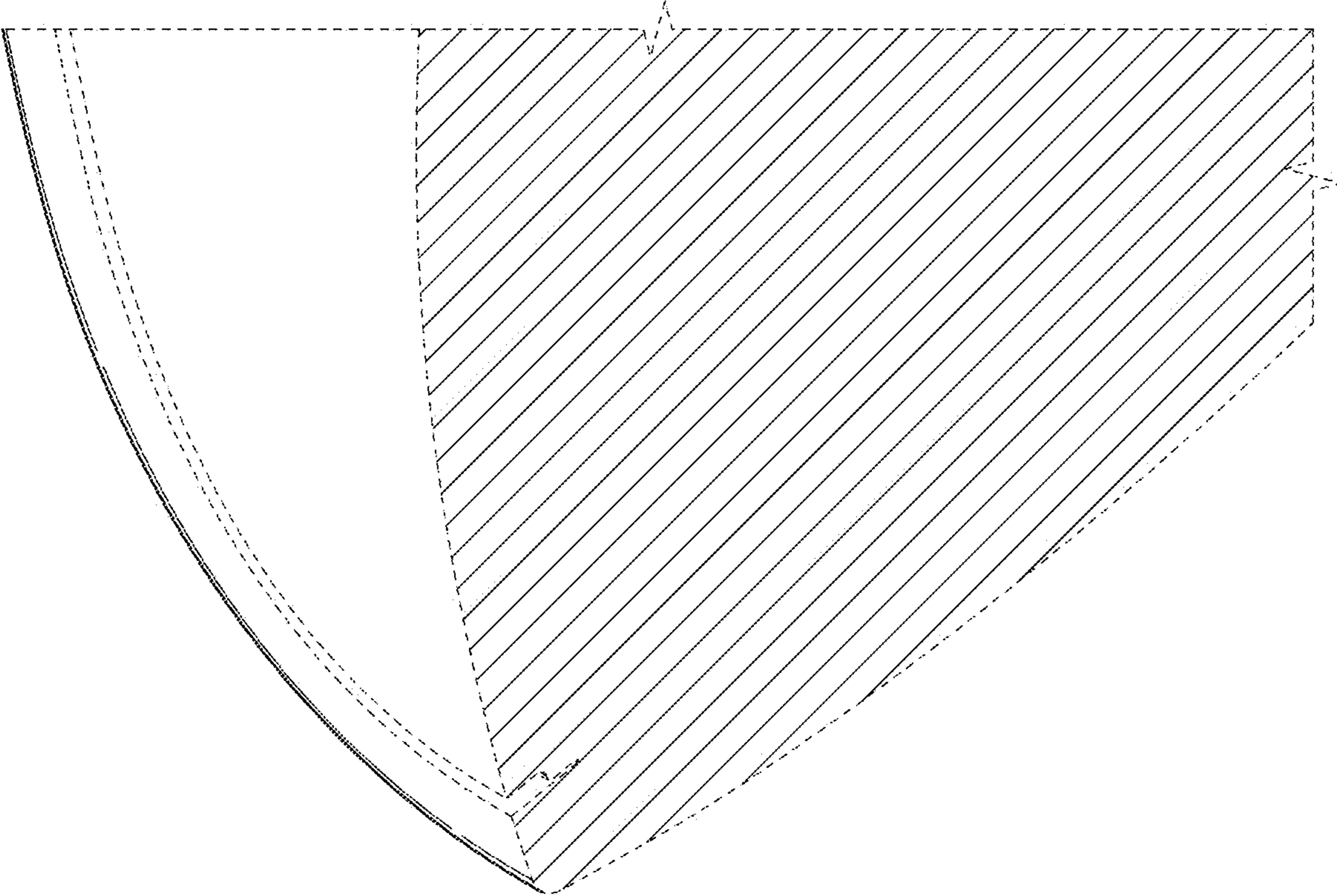


FIG. 11

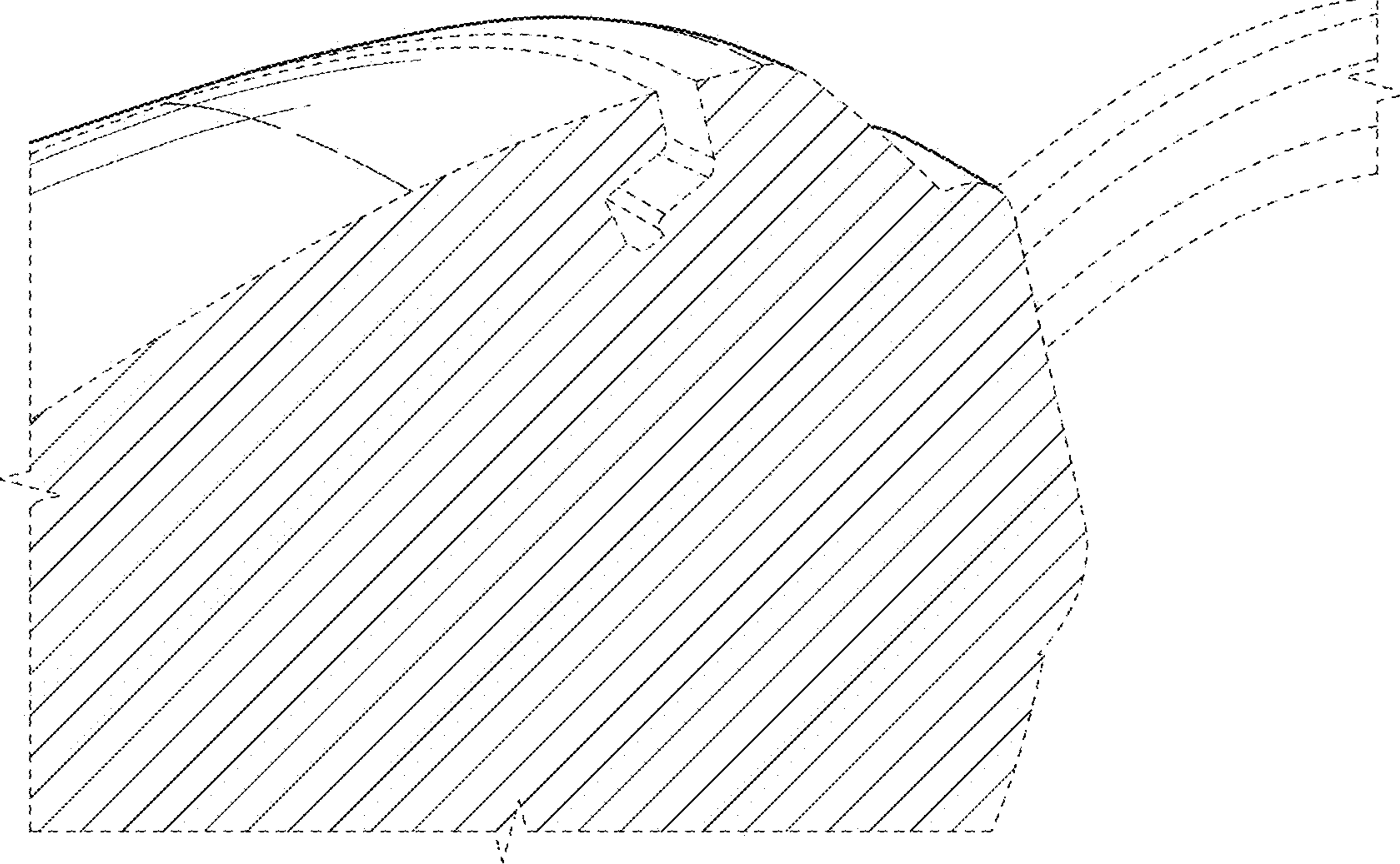


FIG. 12



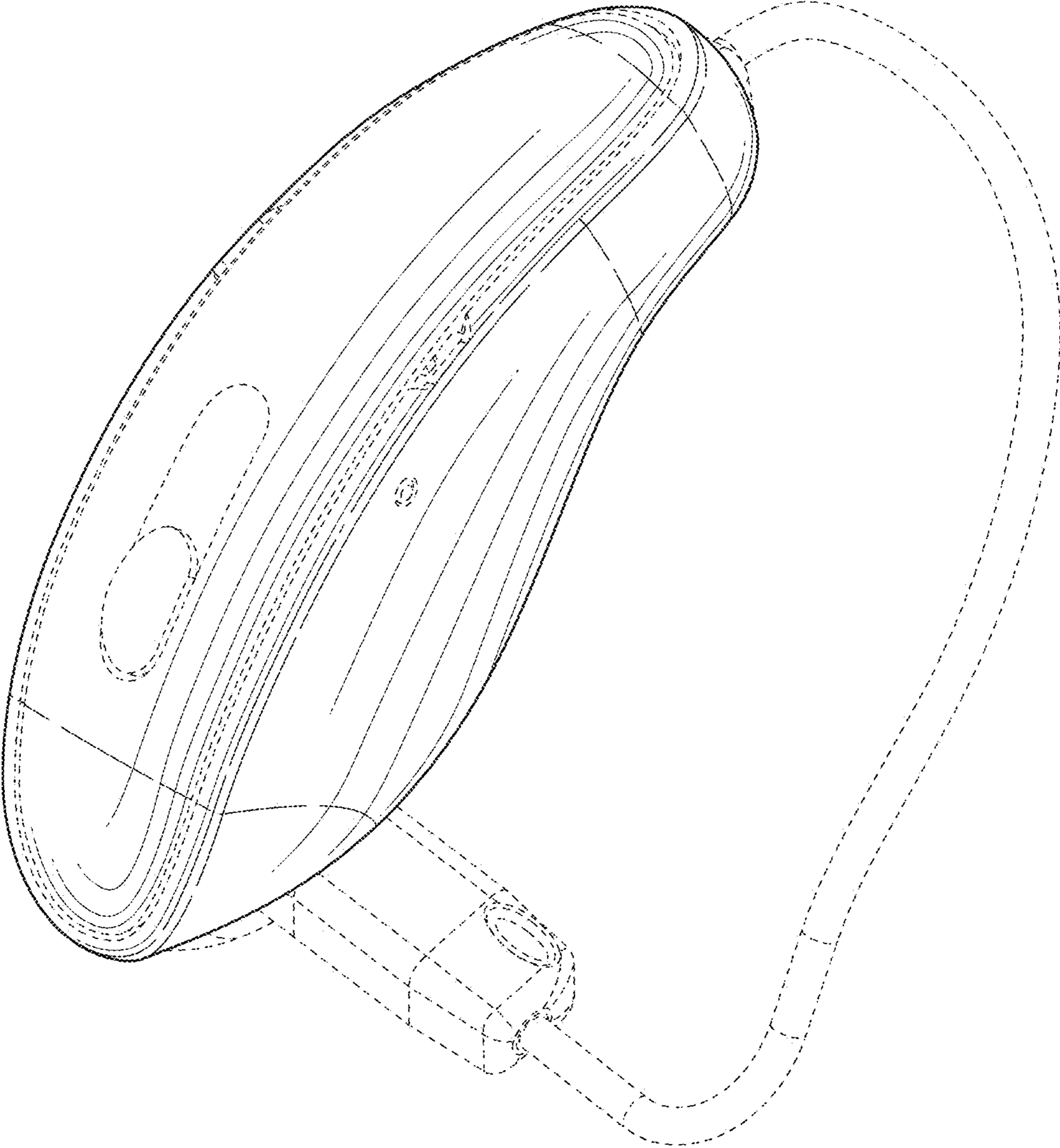


FIG. 13



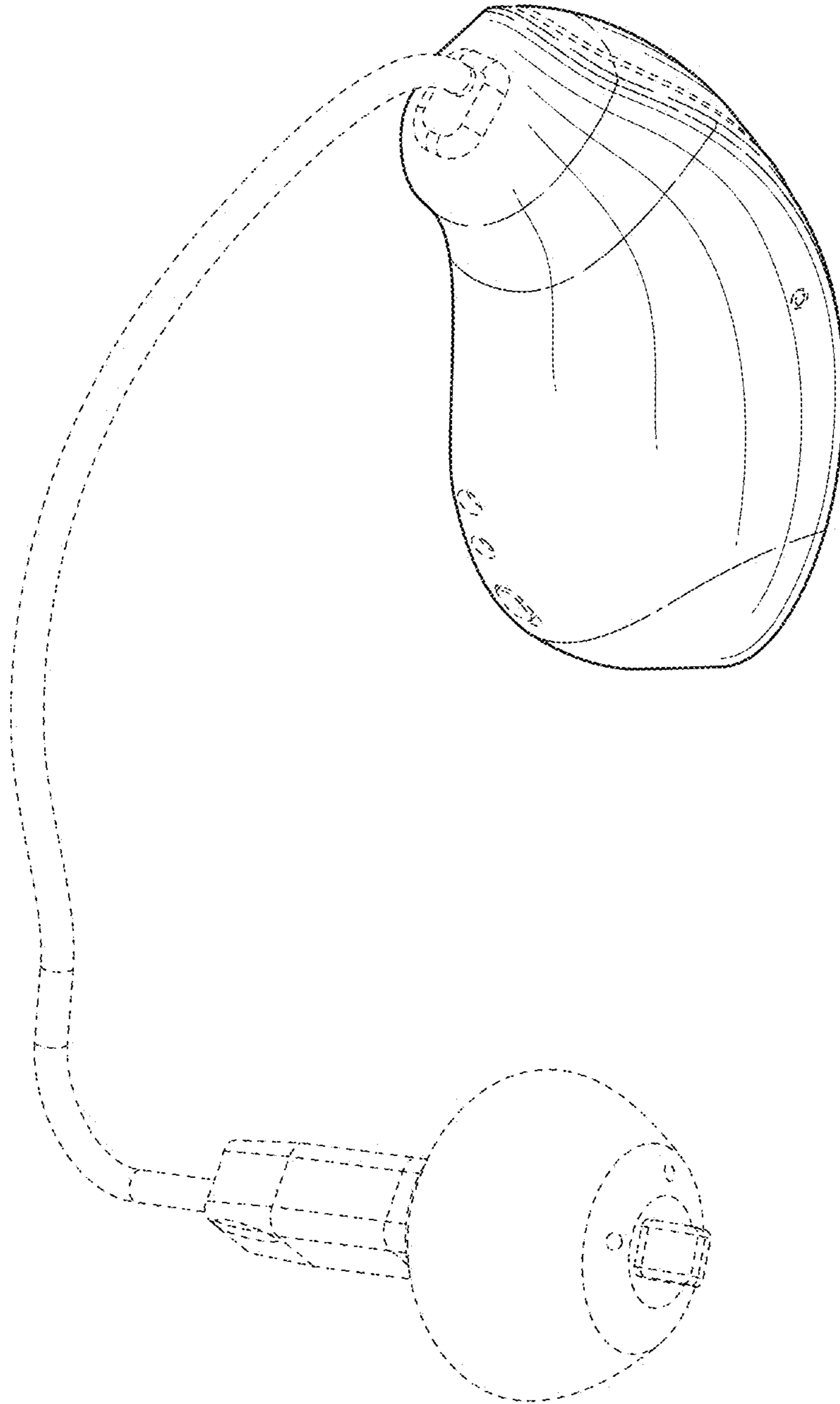


FIG. 14

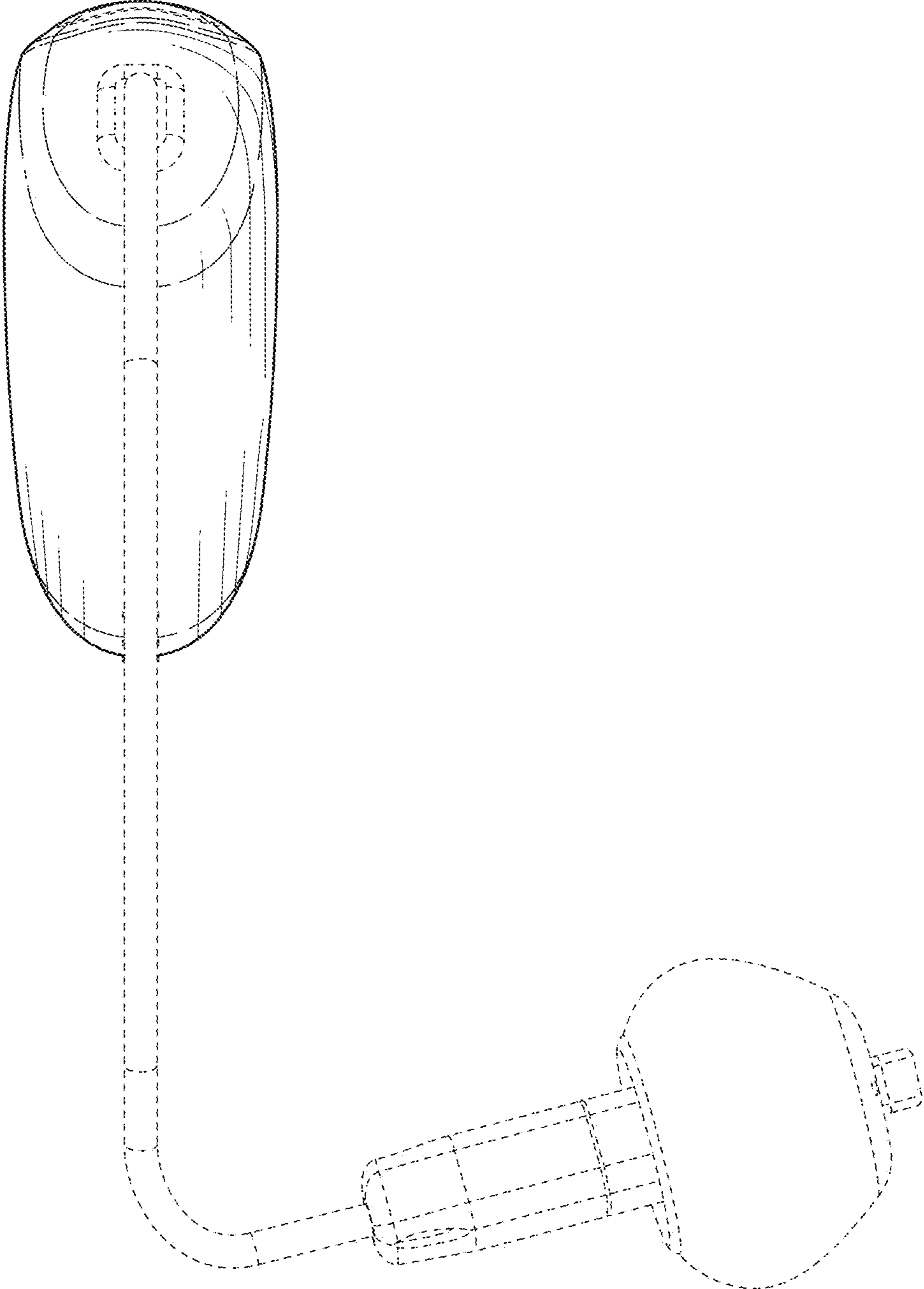


FIG. 15

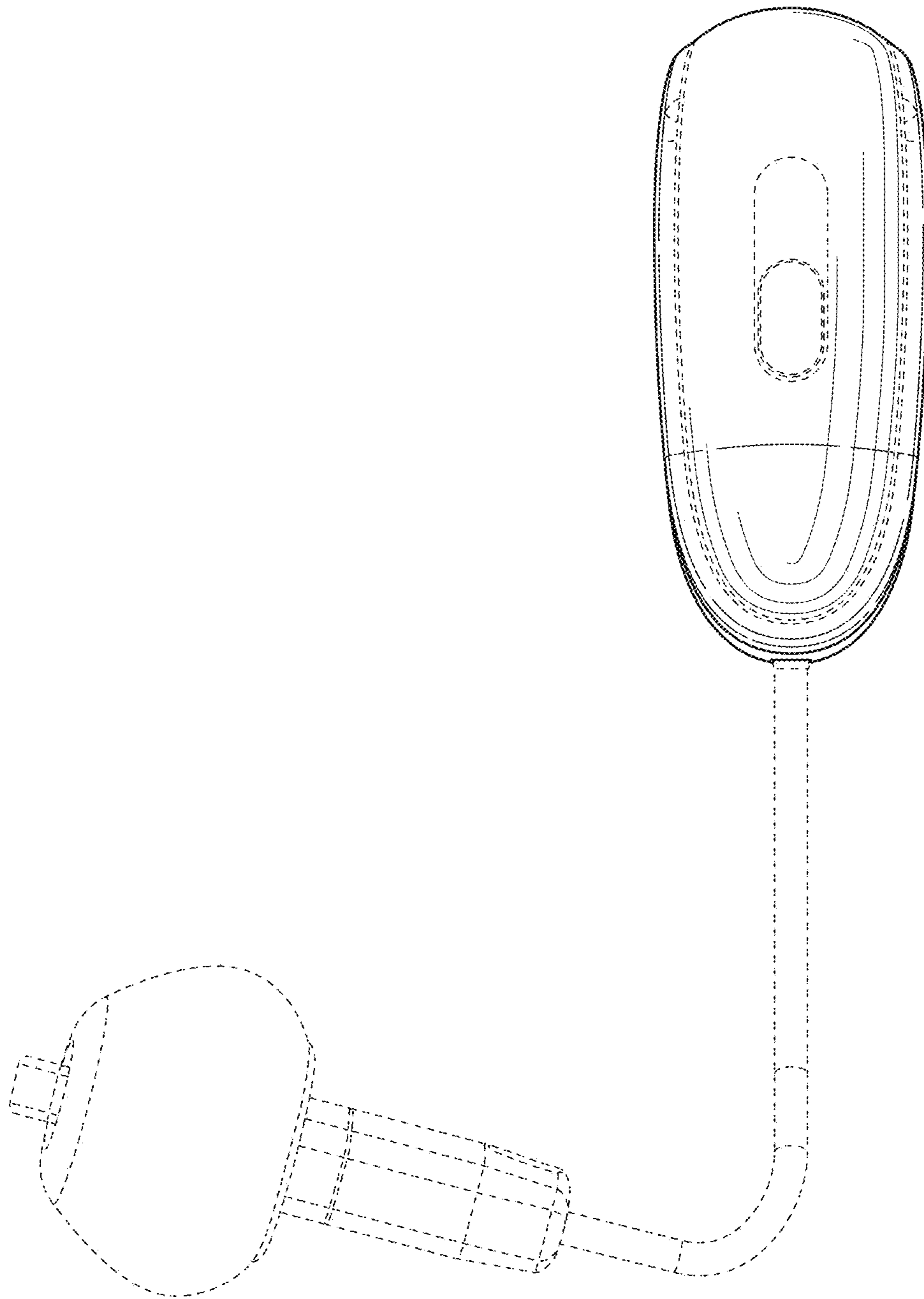


FIG. 16

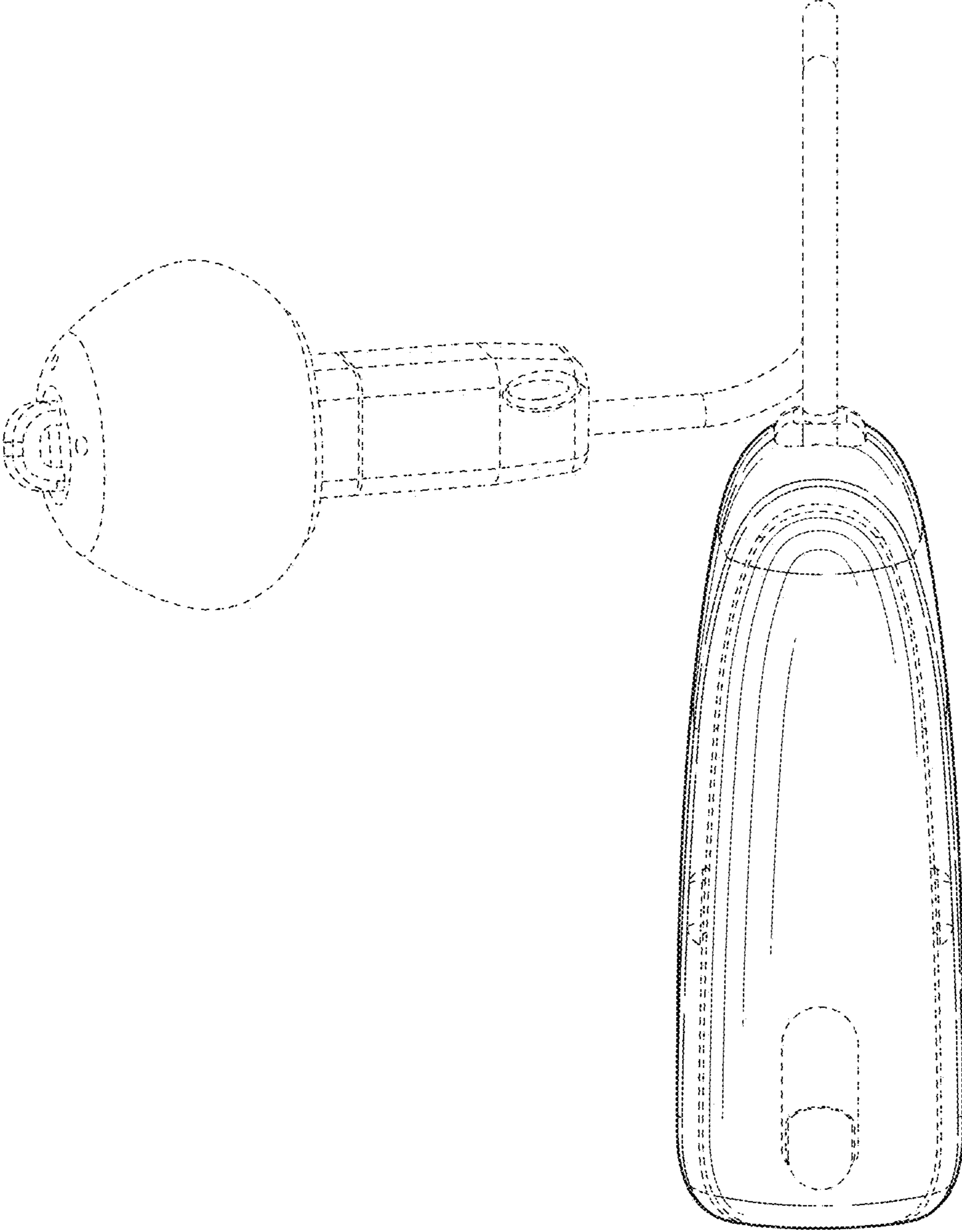


FIG. 17

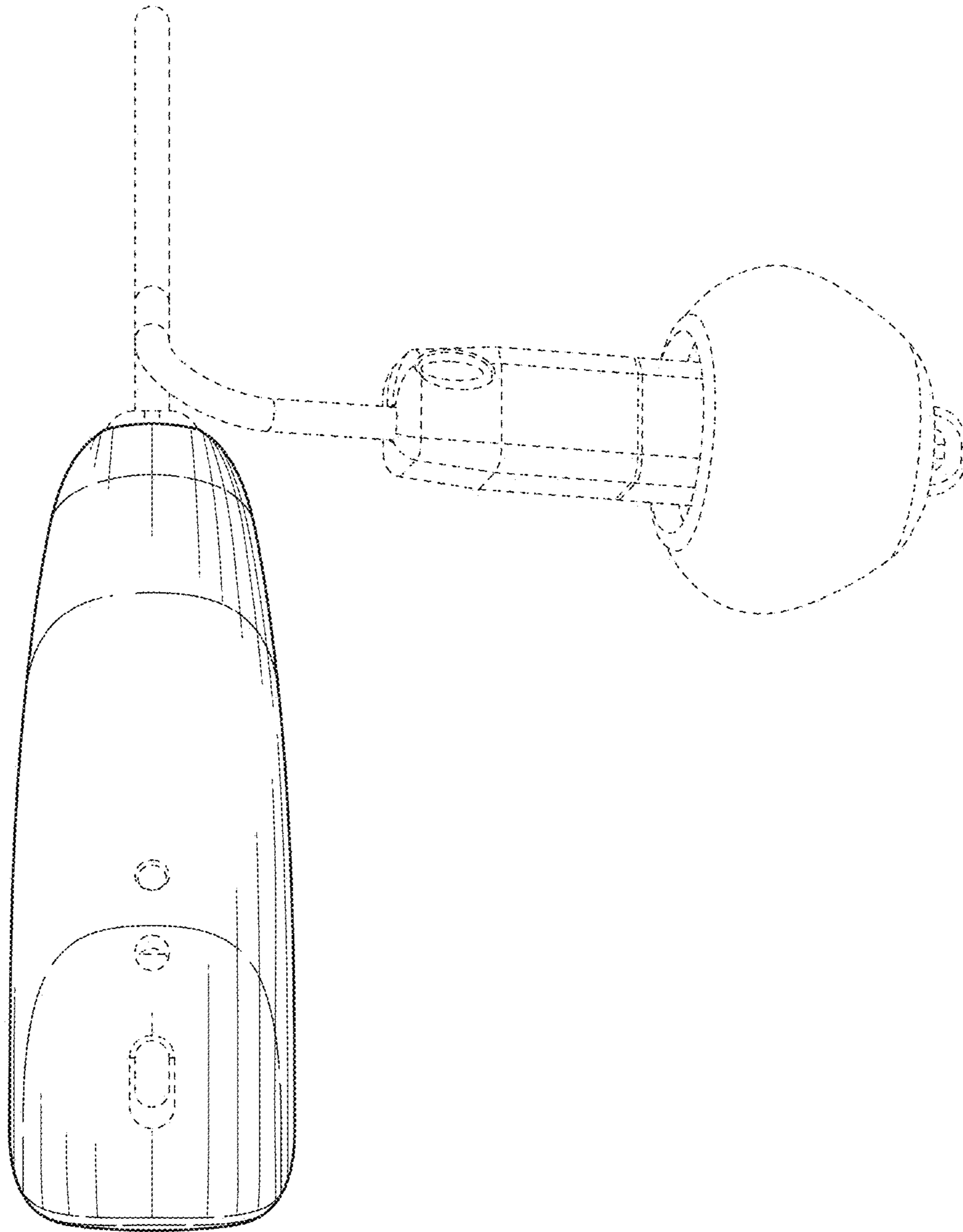


FIG. 18



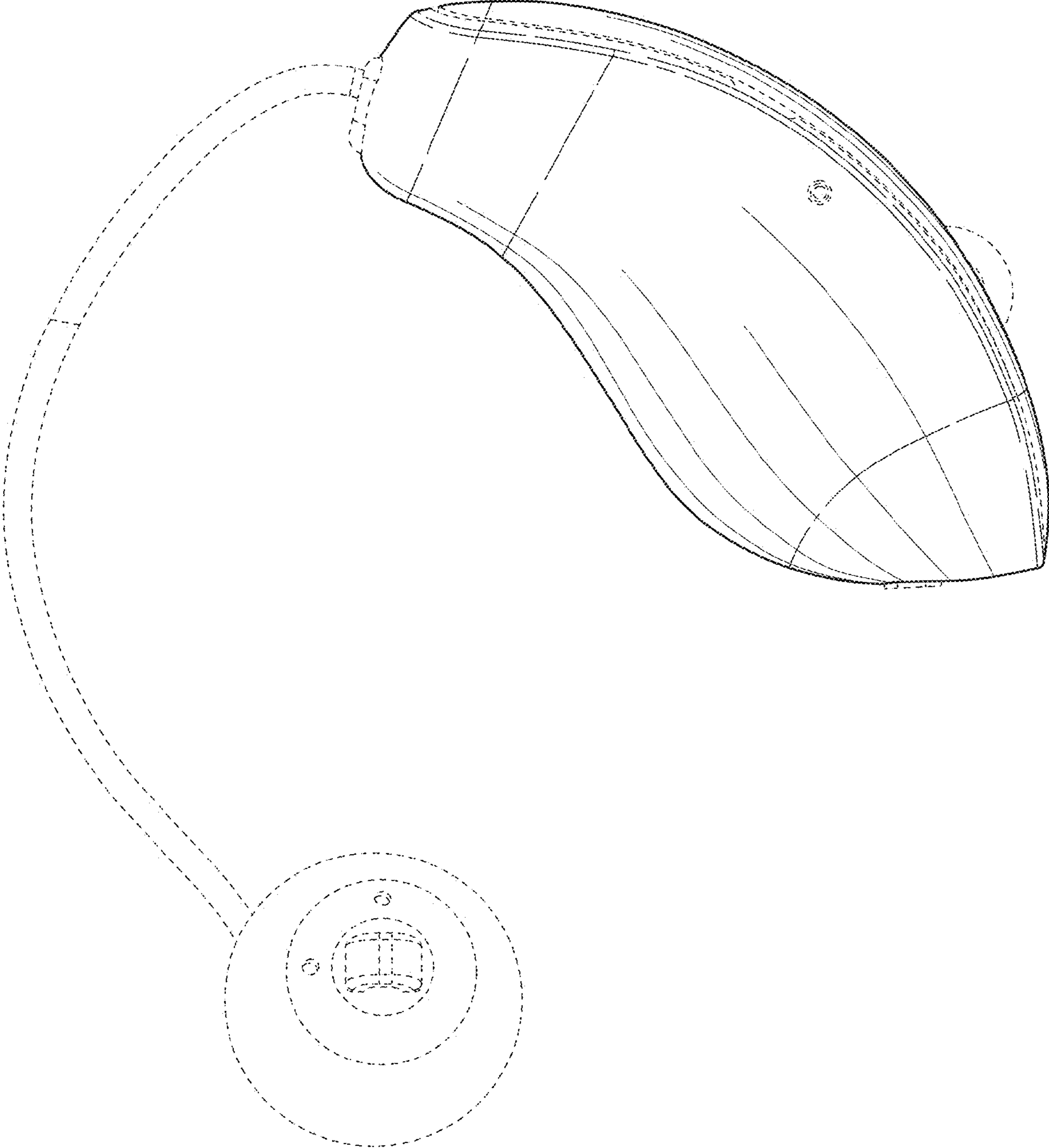


FIG. 19

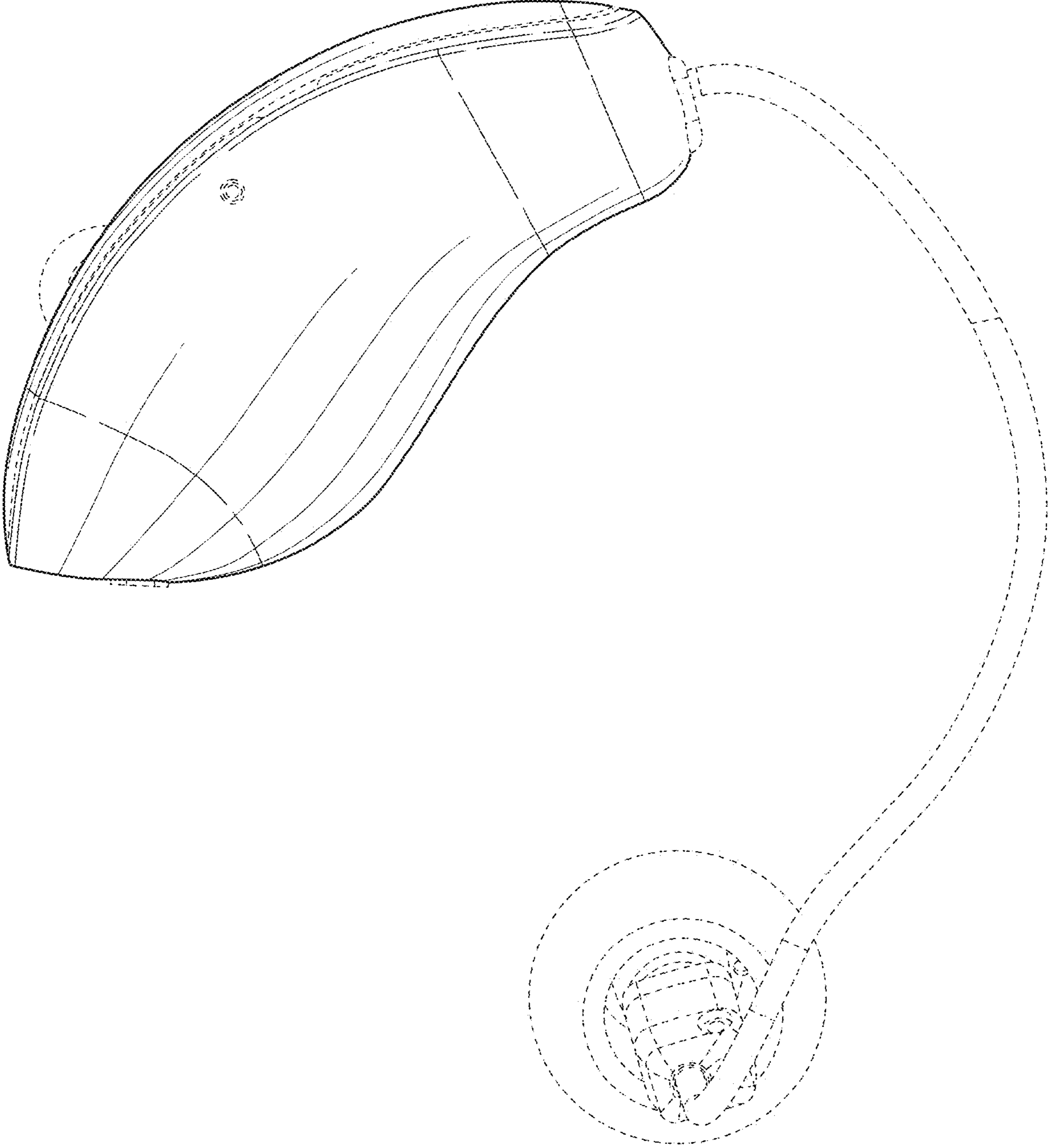


FIG. 20

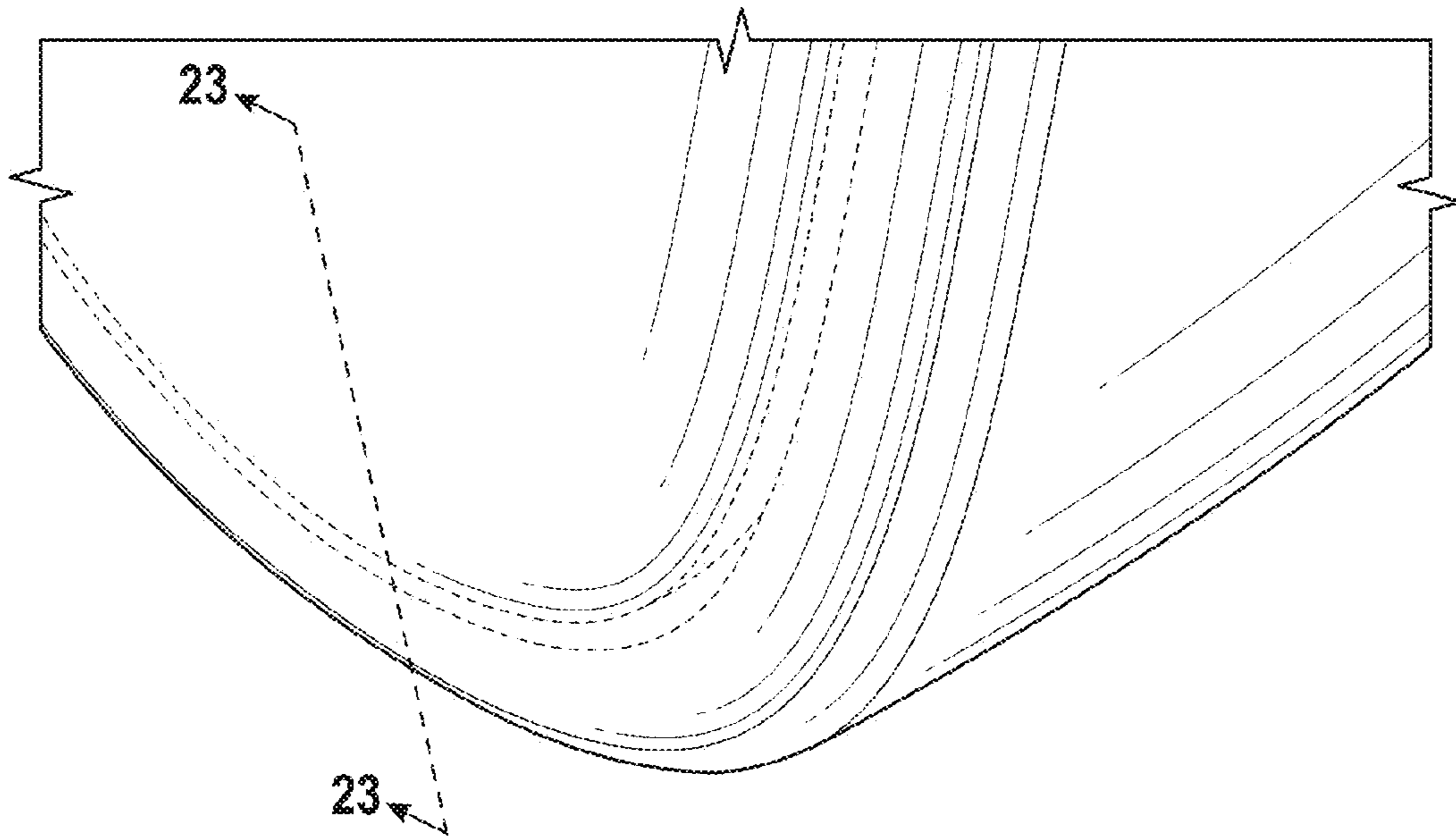


FIG. 21

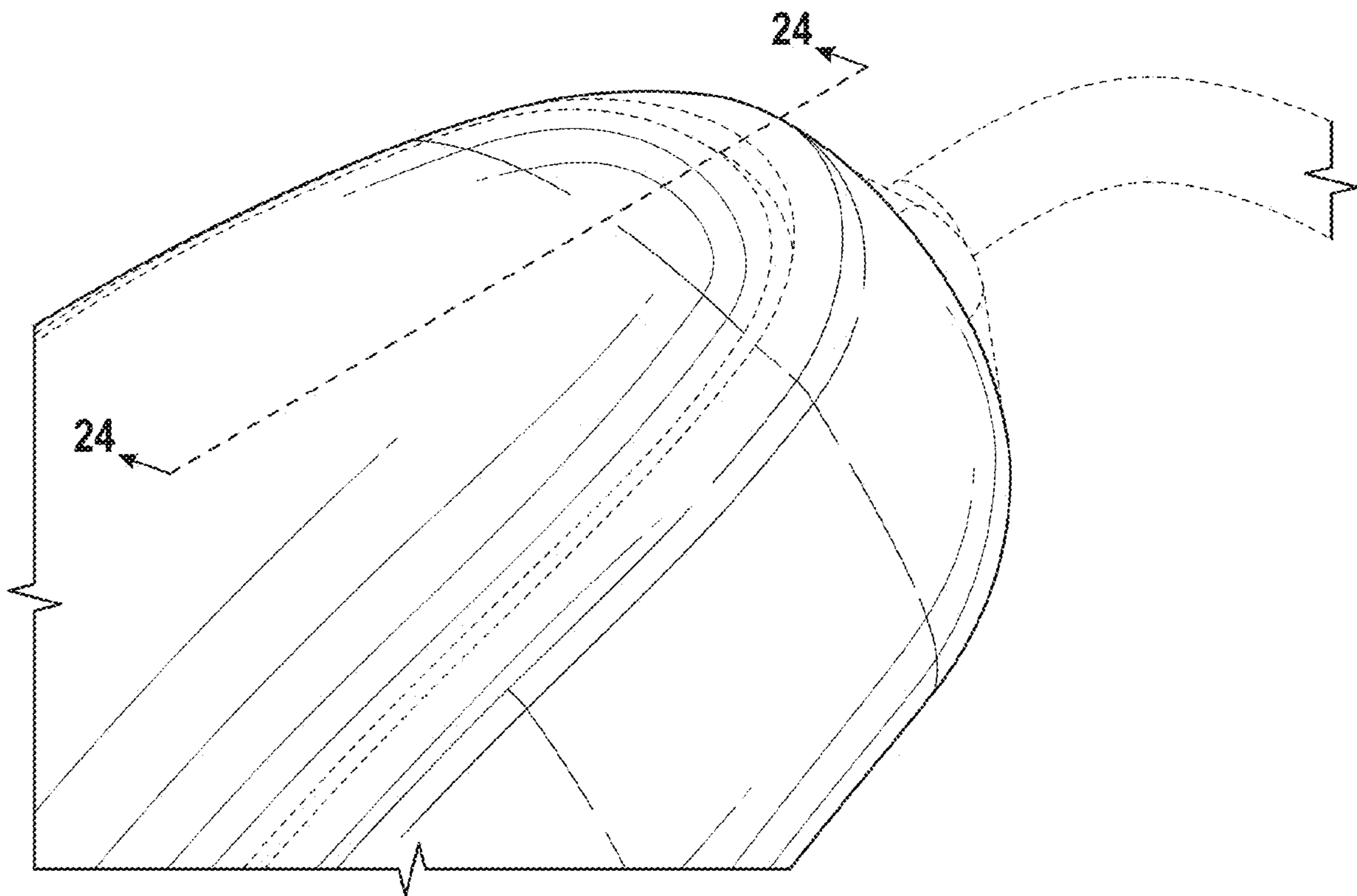


FIG. 22

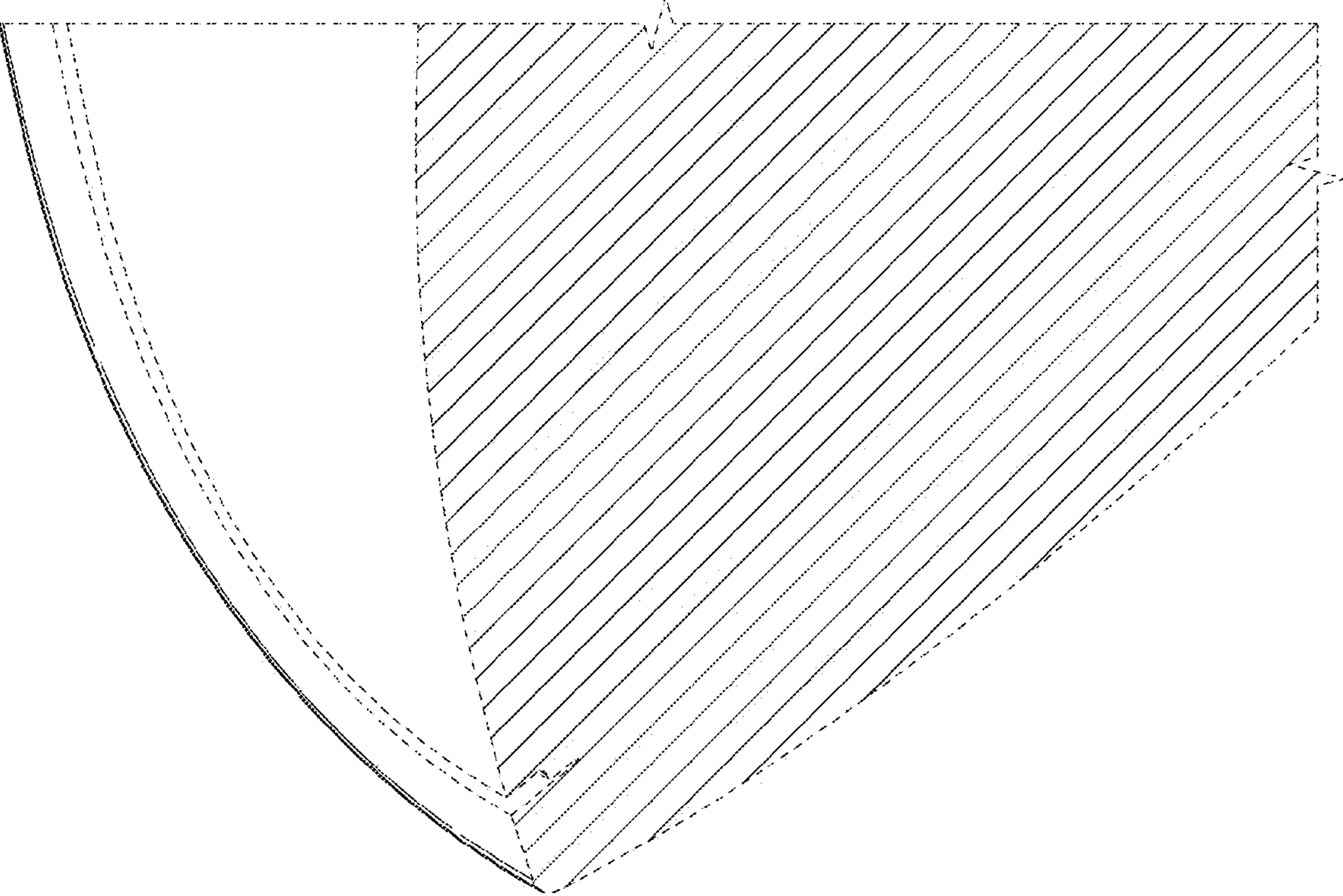


FIG. 23

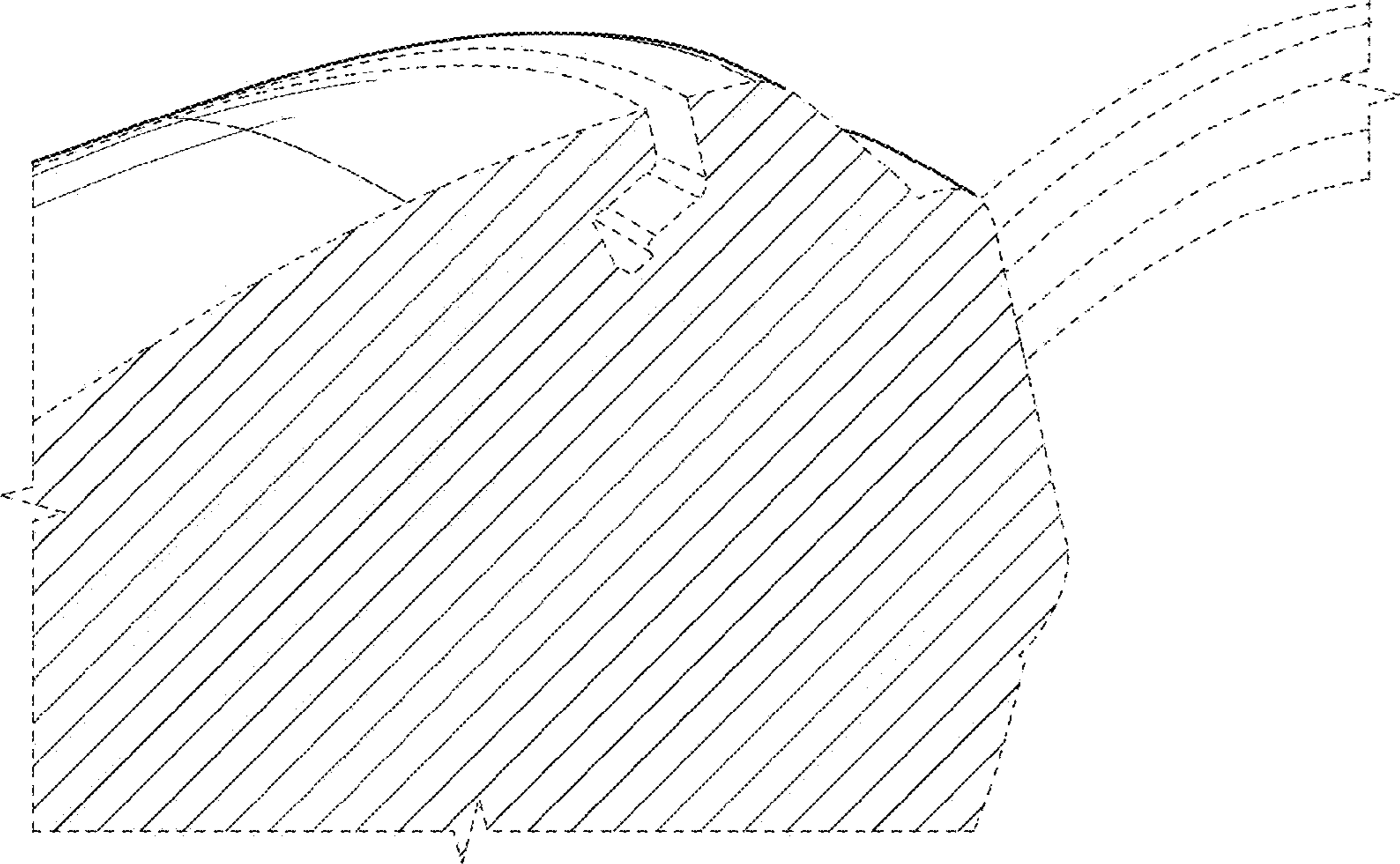


FIG. 24