



US00D989317S

(12) **United States Design Patent**  
**Rutten et al.**

(10) **Patent No.:** **US D989,317 S**  
(45) **Date of Patent:** **\*\* Jun. 13, 2023**

(54) **TRAINER DEVICE**

FOREIGN PATENT DOCUMENTS

(71) Applicant: **Sebastiaan Rutten**, Westlake Village, CA (US)

EM 008472815-0001 \* 3/2021  
EM 008472815-0002 \* 3/2021  
KR 3011467190002 \* 1/2022

(72) Inventors: **Sebastiaan Rutten**, Westlake Village, CA (US); **Todd Metlen**, Westlake Village, CA (US)

OTHER PUBLICATIONS

(73) Assignee: **Sebastiaan Rutten**, Westlake Village, CA (US)

Bas Rutten O2 Lung Trainer, May 4, 2021, facebook.com [online], [site visited Feb. 3, 2022], Available from internet: <https://pt-br.facebook.com/photo/?fbid=319477456203690&set=ecnf.100044243148679> (Year: 2021).\*

(\*\*) Term: **15 Years**

(Continued)

(21) Appl. No.: **29/752,686**

*Primary Examiner* — Wendy L Arminio

(22) Filed: **Sep. 28, 2020**

*Assistant Examiner* — Maheen Khurshid

(51) **LOC (14) Cl.** ..... **24-02**

(74) *Attorney, Agent, or Firm* — Snell & Wilmer L.L.P.

(52) **U.S. Cl.**  
USPC ..... **D24/164**

(57) **CLAIM**

(58) **Field of Classification Search**  
USPC ..... D24/164, 186, 110, 129, 110.5, 110.6  
CPC ..... A61M 11/00; A61M 15/00; G01F 1/00;  
G01F 11/00; G01F 17/00; G01F 23/00;  
A62B 23/00; A61B 5/087; A61B 5/097;  
A61B 5/0875; G01N 33/4972; A63B  
23/18; G01D 3/0365  
See application file for complete search history.

We claim the ornamental design for a trainer device, as shown and described.

**DESCRIPTION**

(56) **References Cited**

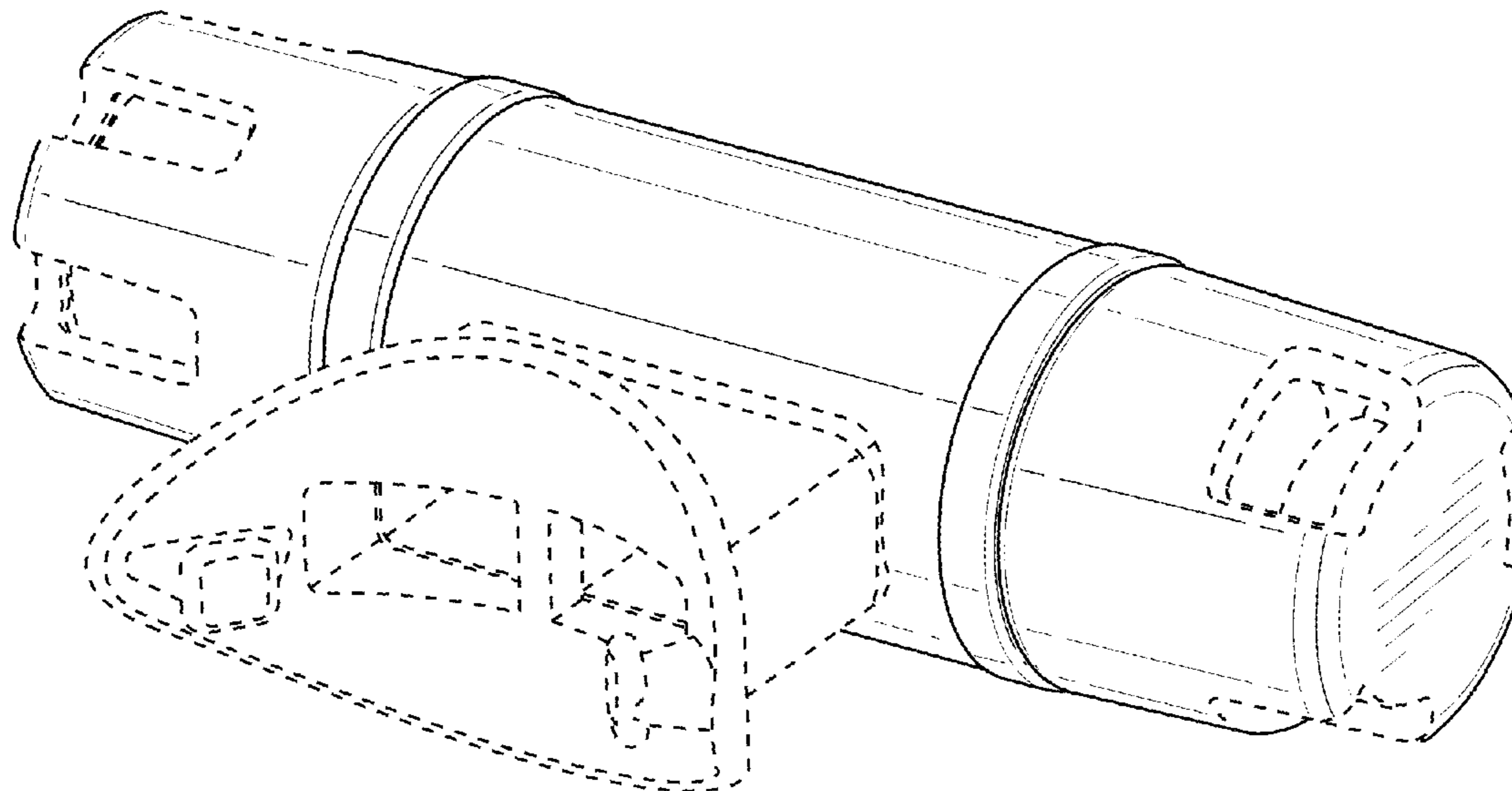
U.S. PATENT DOCUMENTS

D266,695 S	*	10/1982	Trammll	.....	D21/411
D280,765 S	*	9/1985	Alvino	.....	D24/164
D342,135 S	*	12/1993	Goldberger	.....	D24/129
D440,651 S	*	4/2001	Foran	.....	D24/110
6,435,183 B1	*	8/2002	Farman	.....	A61M 16/00 600/529
D542,913 S	*	5/2007	Aspinall	.....	D24/110.5
D590,481 S	*	4/2009	Stimpson	.....	D23/262
D659,835 S	*	5/2012	Benson	.....	D24/164
D745,140 S	*	12/2015	Wheeler	.....	D24/110

(Continued)

FIG. 1 is an top rear perspective view of a trainer device; FIG. 2 is a top front perspective view of the design shown in FIG. 1; FIG. 3 is a front elevation view of the design shown in FIG. 1; FIG. 4 is a rear elevation view of the design shown in FIG. 1; FIG. 5 is a right side elevation view of the design shown in FIG. 1; FIG. 6 is a left side elevation view of the design shown in FIG. 1; FIG. 7 is a top plan view of the design shown in FIG. 1; and, FIG. 8 is a bottom plan view of the design shown in FIG. 1. The broken lines depict portions of the trainer device that shown form no part of the claimed design.

**1 Claim, 8 Drawing Sheets**



(56)

**References Cited**

## U.S. PATENT DOCUMENTS

D783,808 S \* 4/2017 Lee ..... D24/110  
 10,406,569 B2 \* 9/2019 Cheng ..... B05B 15/55  
 D861,863 S \* 10/2019 Leonard ..... D24/127  
 D867,913 S \* 11/2019 Hietala ..... D24/129  
 D918,378 S \* 5/2021 Boyle ..... D24/164  
 2011/0212811 A1 \* 9/2011 Rutten ..... A63B 23/18  
 482/13  
 2018/0085485 A1 \* 3/2018 Probst ..... B60H 3/0014  
 2020/0258425 A1 \* 8/2020 Foley ..... A61M 5/3202  
 2021/0001169 A1 \* 1/2021 Roussel ..... A63B 24/0087  
 2021/0213472 A1 \* 7/2021 Cheng ..... A61M 35/00  
 2021/0282664 A1 \* 9/2021 Reed ..... A61M 15/00

## OTHER PUBLICATIONS

Bas Rutten O2 Trainer, Apr. 5, 2011, amazon.com [online], [site visited Feb. 3, 2022], Available from internet: <<https://www.amazon.com/Bas-Rutten-Official-Respirator-Breathing/dp/B00CXS7B04>> (Year: 2011).\*

The Breather, Sep. 24, 2013, amazon.com [online], [site visited Feb. 3, 2022], Available from internet: <[https://www.amazon.com/Breather-Inspiratory-Expiratory-Respiratory-Trainer/dp/B00FE8N7Y4/ref=as\\_li\\_ss\\_tl?crid=FPJ0K5N1O5I6&keywords=breathing+exerciser&qid=1574439012&prefix=breathing+ex,aps,156&sr=8-4&linkCode=s11&tag=respiratorytherapyzone-20&linkId=a33d6c3c2b796374345b5eddbf34373d&language=en\\_US](https://www.amazon.com/Breather-Inspiratory-Expiratory-Respiratory-Trainer/dp/B00FE8N7Y4/ref=as_li_ss_tl?crid=FPJ0K5N1O5I6&keywords=breathing+exerciser&qid=1574439012&prefix=breathing+ex,aps,156&sr=8-4&linkCode=s11&tag=respiratorytherapyzone-20&linkId=a33d6c3c2b796374345b5eddbf34373d&language=en_US)> (Year: 2013).\*

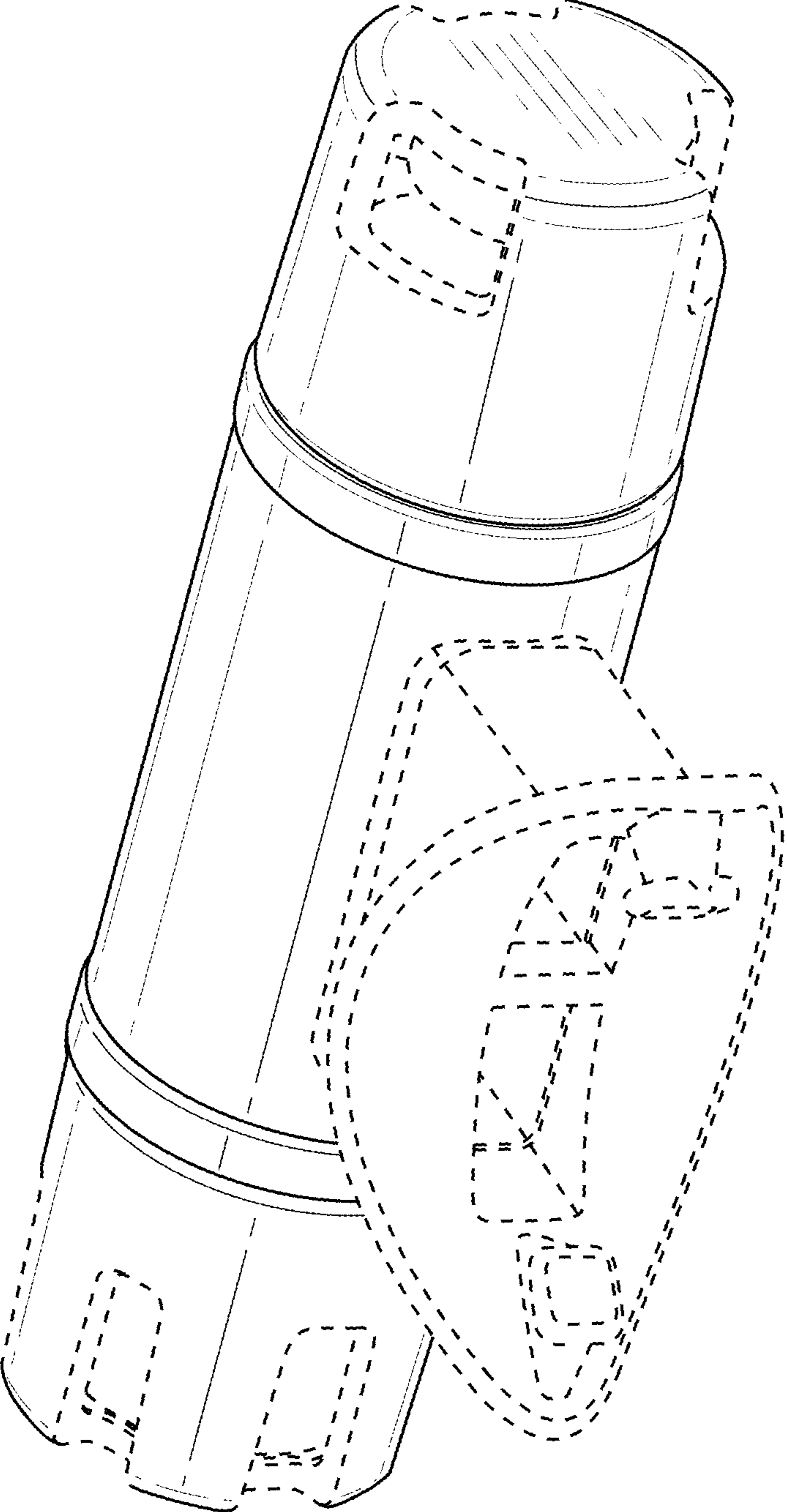
Expand-A-Lung, Apr. 24, 2014, amazon.com [online], [site visited Feb. 3, 2022], Available from internet: <<https://www.amazon.com/>

Expand-A-Lung-BD12512-Breathing-Fitness-Exerciser/dp/B00JWTRA5I/ref=zg\_bs\_8619034011\_3/135-5015877-4219028?pd\_rd\_=B00JWTRA5I&psc=1> (Year: 2014).\*

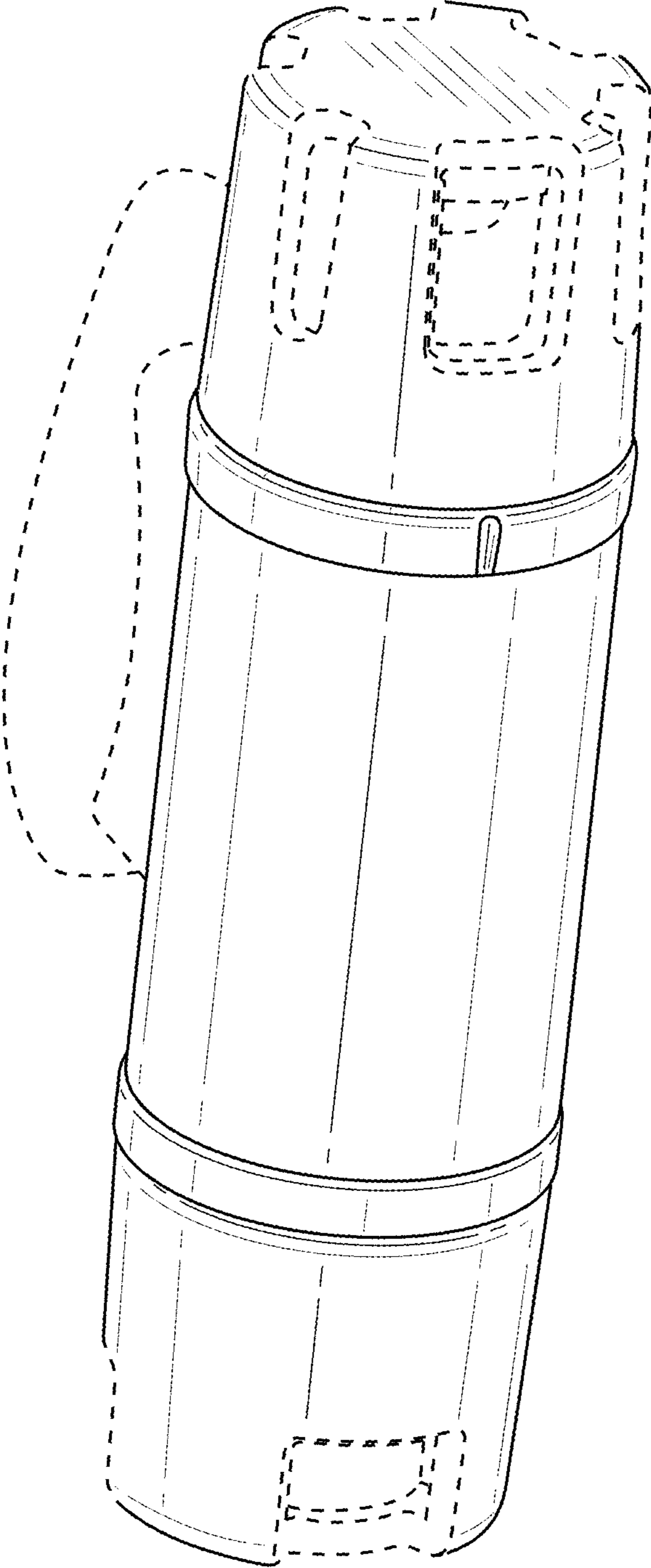
Breathing Exercise Device, Mar. 29, 2020, amazon.com [online], [site visited Feb. 3, 2022], Available from internet: <[SFM3300-250-D, Sep. 27, 2021, digikey.com \[online\], \[site visited Feb. 3, 2022\], Available from internet: <\[https://www.digikey.com/en/products/detail/sensirion-ag/SFM3300-250-D/9857673?utm\\\_adgroup=Sensors%2C%20Transducers&utm\\\_source=google&utm\\\_medium=cpc&utm\\\_campaign=Shopping\\\_Supplier\\\_Sensirion\\\_1649\\\_Co-op&utm\\\_term=&utm\\\_content=Sensors%2C%20Transducers&gclid=EA1a1QobChMlg\\\_qsxKvm9QIVyNzICh1VMQgcEAYYBCABEgJNP\\\_D\\\_BwE\]\(https://www.digikey.com/en/products/detail/sensirion-ag/SFM3300-250-D/9857673?utm\_adgroup=Sensors%2C%20Transducers&utm\_source=google&utm\_medium=cpc&utm\_campaign=Shopping\_Supplier\_Sensirion\_1649\_Co-op&utm\_term=&utm\_content=Sensors%2C%20Transducers&gclid=EA1a1QobChMlg\_qsxKvm9QIVyNzICh1VMQgcEAYYBCABEgJNP\_D\_BwE\)> \(Year: 2021\).\\*](https://www.amazon.com/dp/B086JMZQSH/ref=sspa_dk_detail_4?psc=1&pf_rd_p=9fd3ea7c-b77c-42ac-b43b-c872d3f37c38&pd_rd_wg=xAFIX&pf_rd_r=V9J6R7QY2PQJR45E7VY7&pd_rd_r=9d6a16d4-7b36-4b6e-86f7-16443523ed6b&s=hpc&spLa=ZW5jcnlwdGVkUXVhbGlmaWVyPUEExRktYUTZlQUgxUjZlZmVuY3J5cHRlZElkPUEwNzQzNDcyMUhQQzE1WTNQQ1MmZW5jcnlwdGVkQWRJZD1BMDc0OTY3MFILTU5QUjFaTVZDWkZ3aWRnZXROYW1IPXNwX2RldGFpbCZlY3Rpb249Y2xpY2tSZWRpcmVjdCZkb05vdE xvZ0NsaWNrPXRydWU=> (Year: 2020).*</p>
</div>
<div data-bbox=)

DC5V Gas Flow Sensor, Date unknown, hsh-flo-store.com [online], [site visited Feb. 3, 2022], Available from internet: <[https://hsh-flo-store.com/products/dc5v-gas-flow-sensor-10-200slm-laboratory-instrument-medical-equipment-accessories-2-5-accuracy?variant=40529274372293&currency=USD&utm\\_medium=product\\_sync&utm\\_source=google&utm\\_content=sag\\_organic&utm\\_campaign=sag\\_organic](https://hsh-flo-store.com/products/dc5v-gas-flow-sensor-10-200slm-laboratory-instrument-medical-equipment-accessories-2-5-accuracy?variant=40529274372293&currency=USD&utm_medium=product_sync&utm_source=google&utm_content=sag_organic&utm_campaign=sag_organic)> (Year: 2022).\*

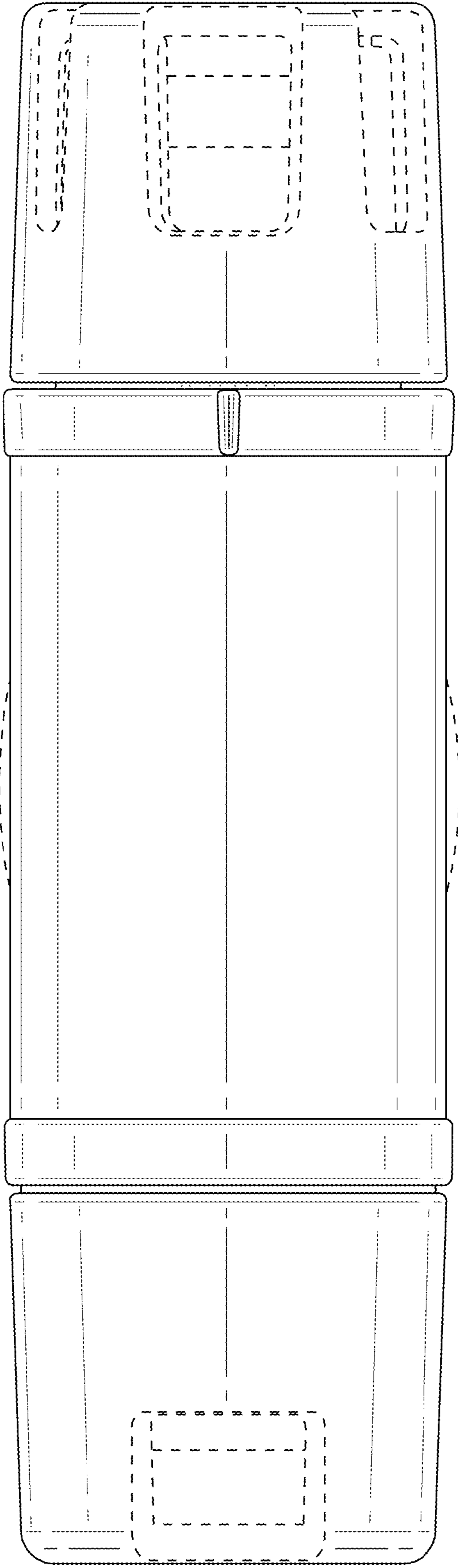
\* cited by examiner



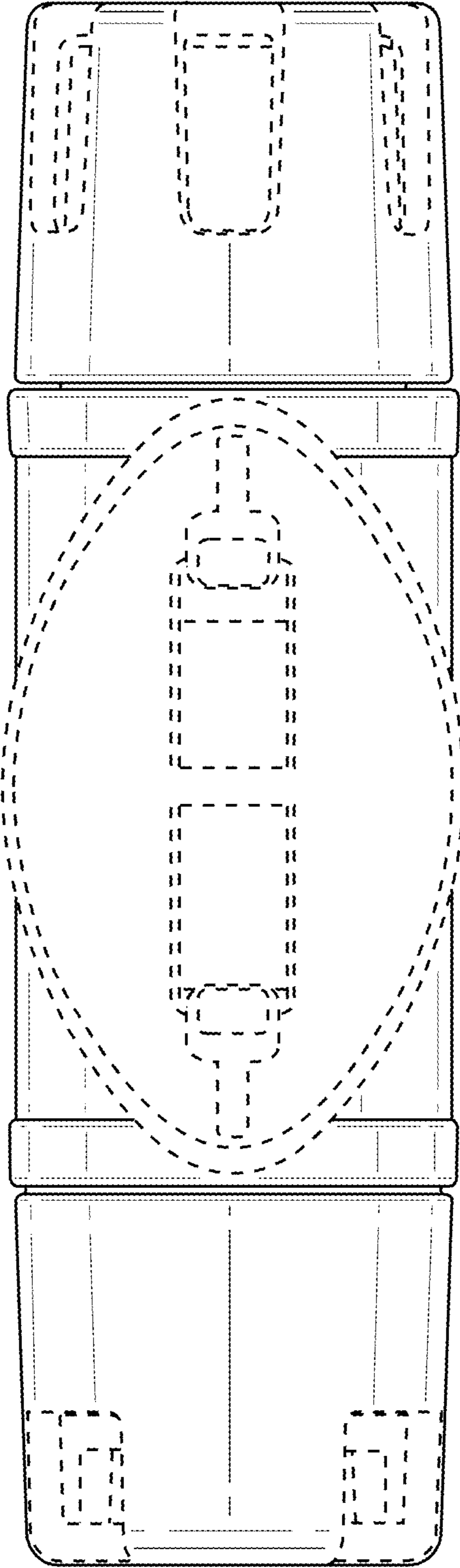
**FIG. 1**



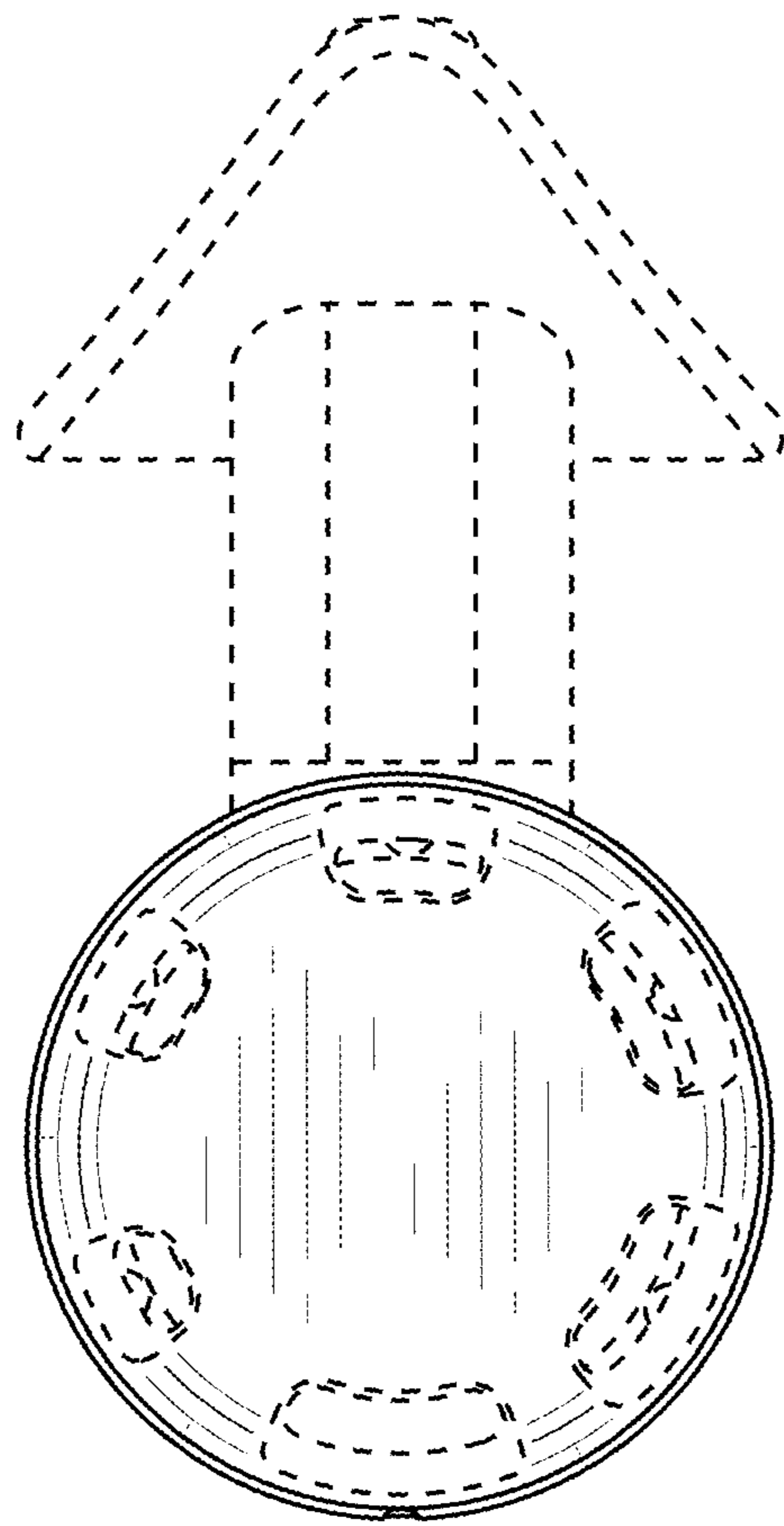
**FIG. 2**



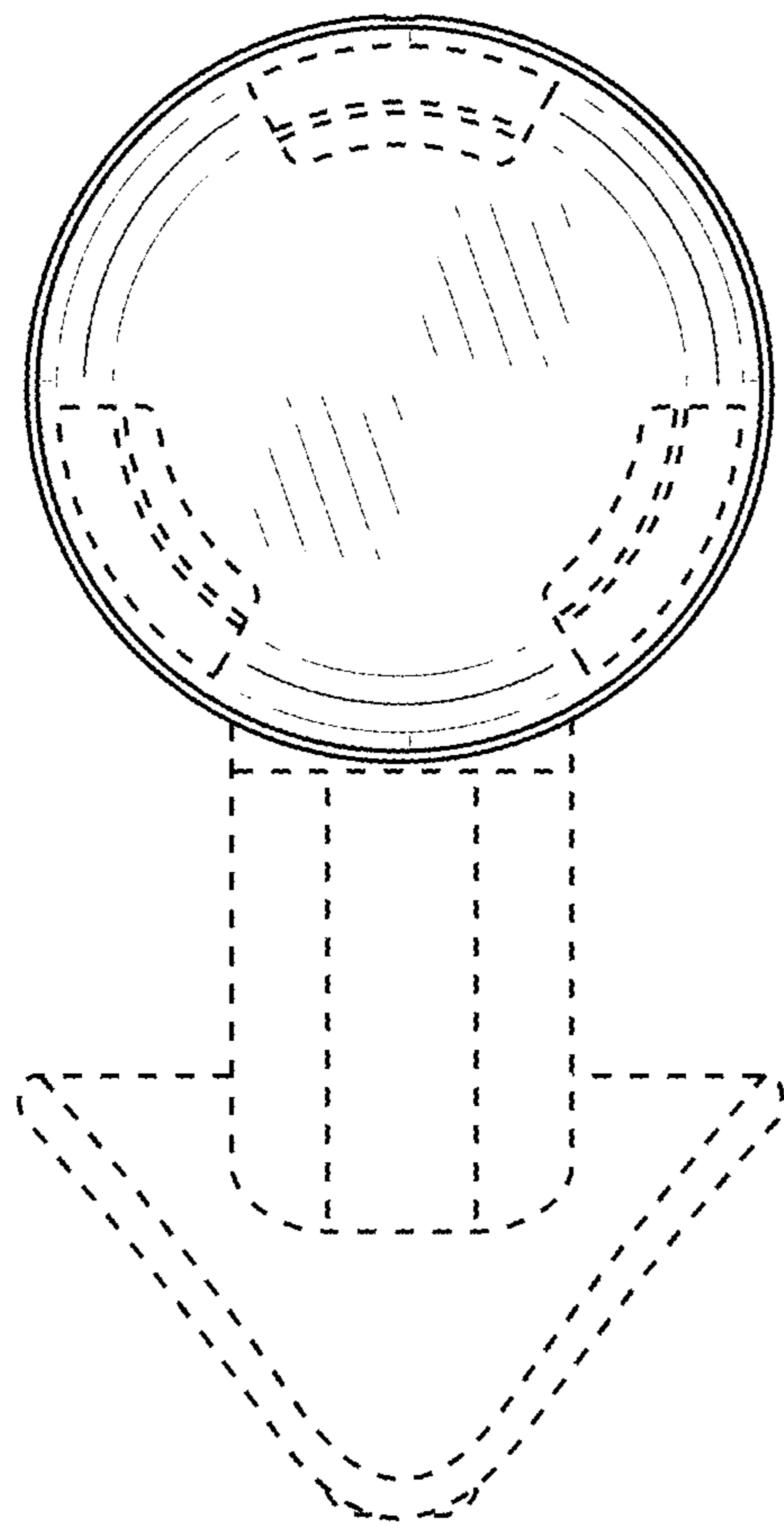
**FIG. 3**



**FIG. 4**

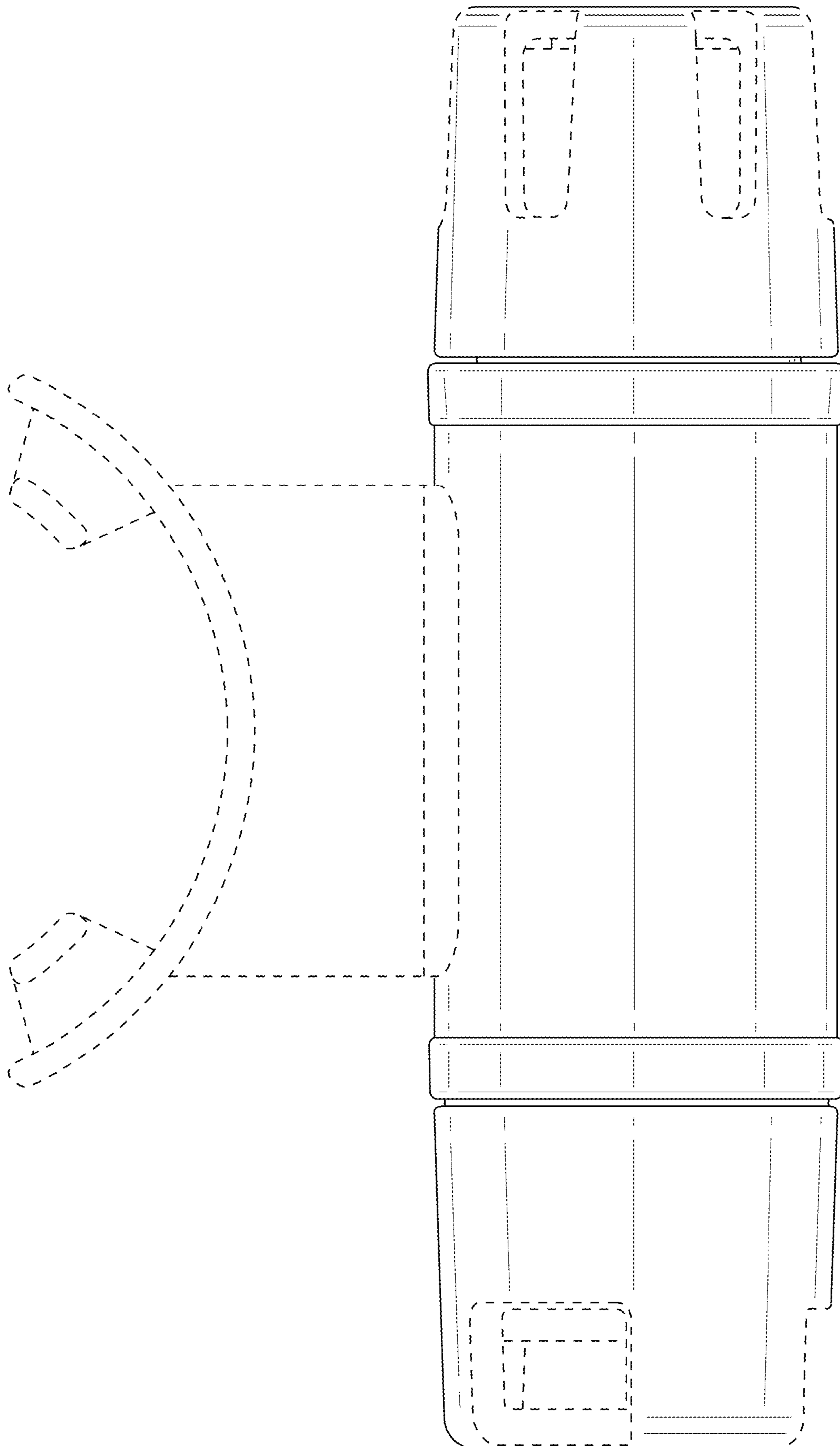


**FIG. 5**



**FIG. 6**





**FIG. 7**

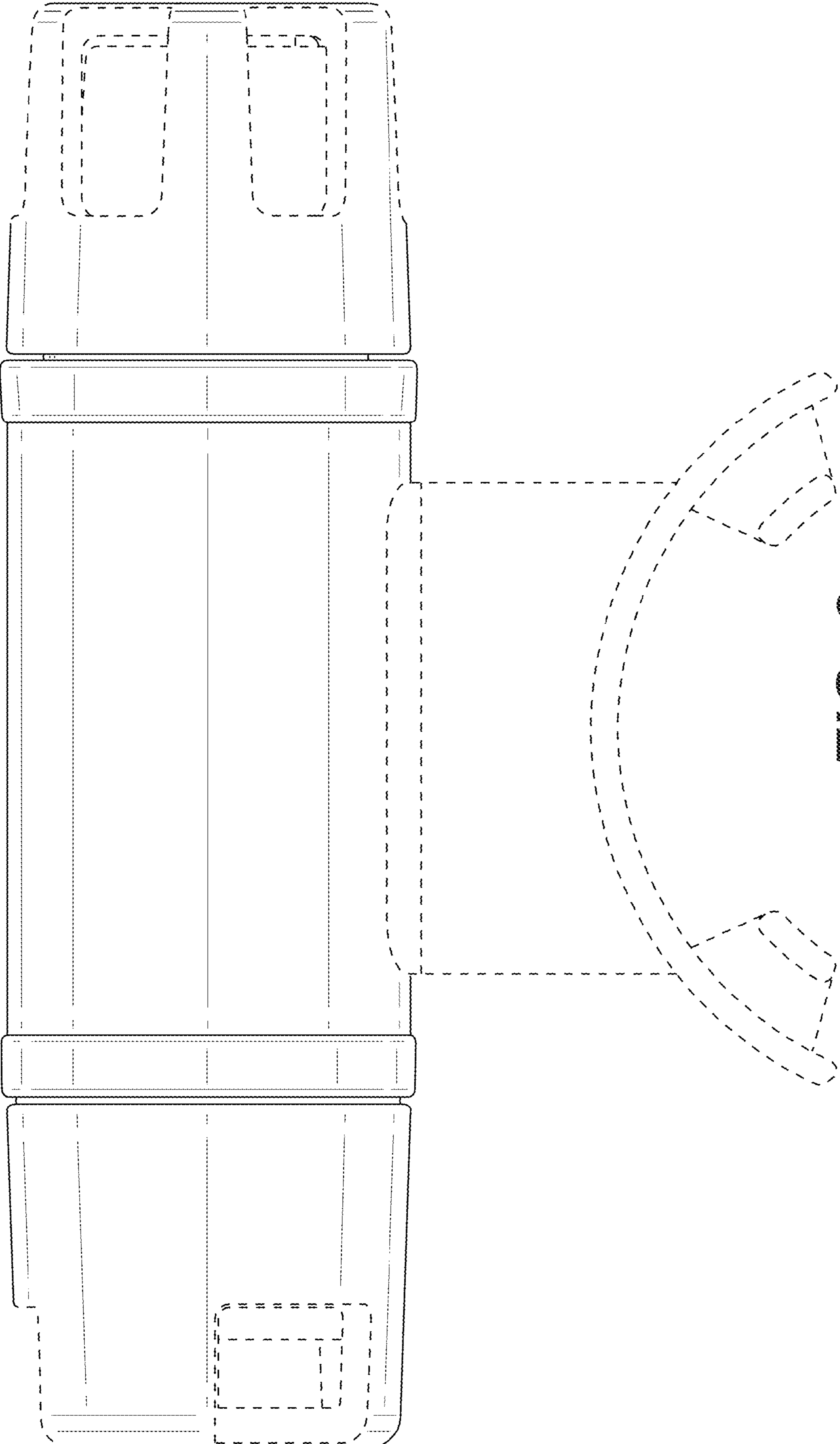


FIG. 8