



US00D989315S

(12) **United States Design Patent** (10) **Patent No.:** **US D989,315 S**  
**Karroum** (45) **Date of Patent:** **\*\* Jun. 13, 2023**

(54) **K-TEC IMPLANT DESIGN**

(71) Applicant: **Kamil Karroum**, Lawrenceville, GA (US)

(72) Inventor: **Kamil Karroum**, Lawrenceville, GA (US)

(\*\*) Term: **15 Years**

(21) Appl. No.: **29/741,567**

(22) Filed: **Jul. 14, 2020**

(51) **LOC (14) Cl.** ..... **24-03**

(52) **U.S. Cl.**  
USPC ..... **D24/156**

(58) **Field of Classification Search**  
USPC ..... D24/155, 156  
CPC ..... A61C 8/00; A61C 8/0089; A61C 8/0069;  
A61C 8/0054; A61C 8/0096; A61C  
8/0039; A61C 8/0063; A61C 8/006; A61C  
8/0001; A61C 8/0012; A61C 8/0075;  
A61C 8/0083

See application file for complete search history.

(56) **References Cited**

**U.S. PATENT DOCUMENTS**

- 5,558,230 A \* 9/1996 Fischer ..... A61C 8/0087  
206/570
- D731,064 S \* 6/2015 Seto ..... D24/156

- D949,434 S \* 4/2022 Hacker ..... D24/224
- D966,518 S \* 10/2022 Lim ..... D9/718
- D966,519 S \* 10/2022 Lim ..... D24/156
- 2014/0311932 A1 \* 10/2014 Sakaguchi ..... A61C 8/0087  
206/368
- 2020/0000559 A1 \* 1/2020 Chung ..... A61C 8/0087
- 2020/0275999 A1 \* 9/2020 Chelminski ..... A61C 8/008
- 2021/0307889 A1 \* 10/2021 Kim ..... A61C 8/0087

\* cited by examiner

*Primary Examiner* — Charles D Hanson

(74) *Attorney, Agent, or Firm* — Bay State IP, LLC

(57) **CLAIM**

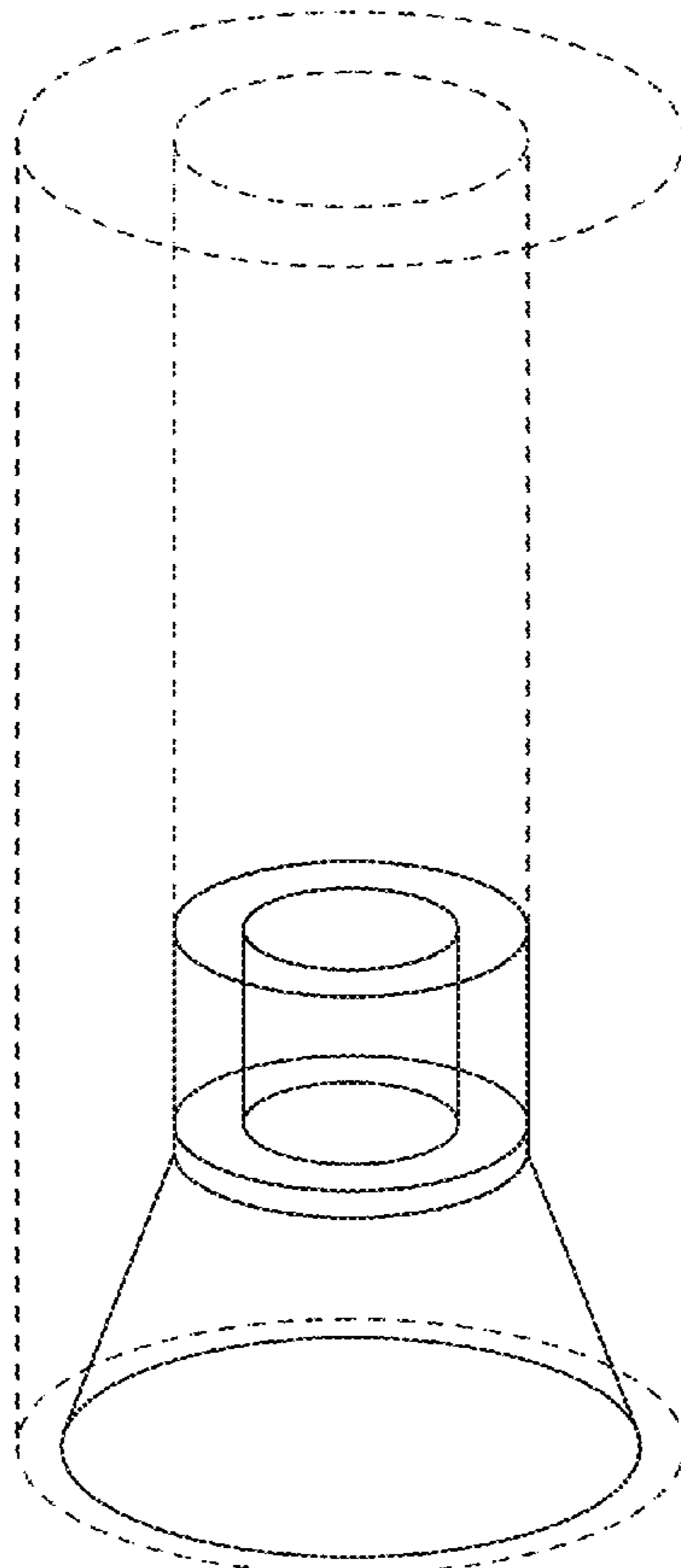
The ornamental design for an k-tec implant design, as shown and described.

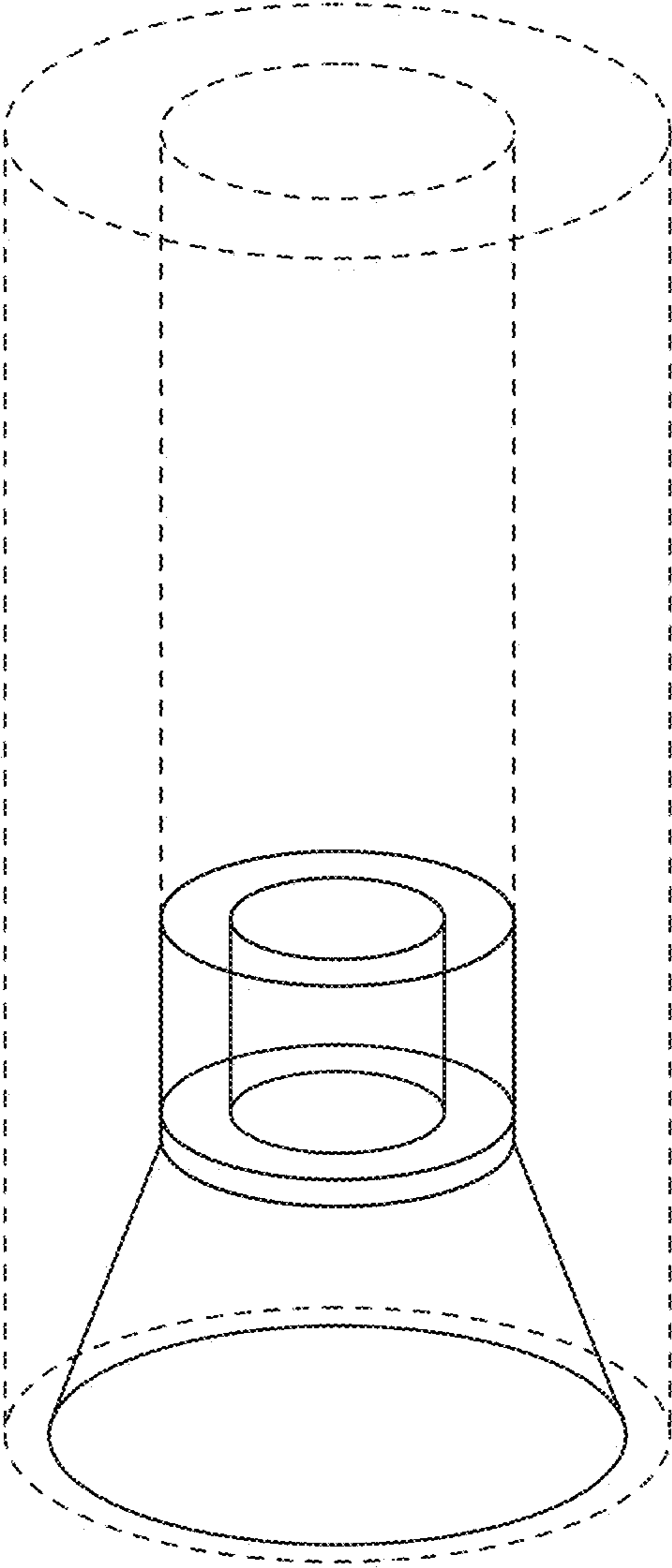
**DESCRIPTION**

FIG. 1 is a front perspective view of an k-tec implant design; FIG. 2 is a bottom perspective view thereof; FIG. 3 is a front view thereof; FIG. 4 is a back view thereof; FIG. 5 is a side view thereof; FIG. 6 is a bottom view thereof; and, FIG. 7 is a top view thereof.

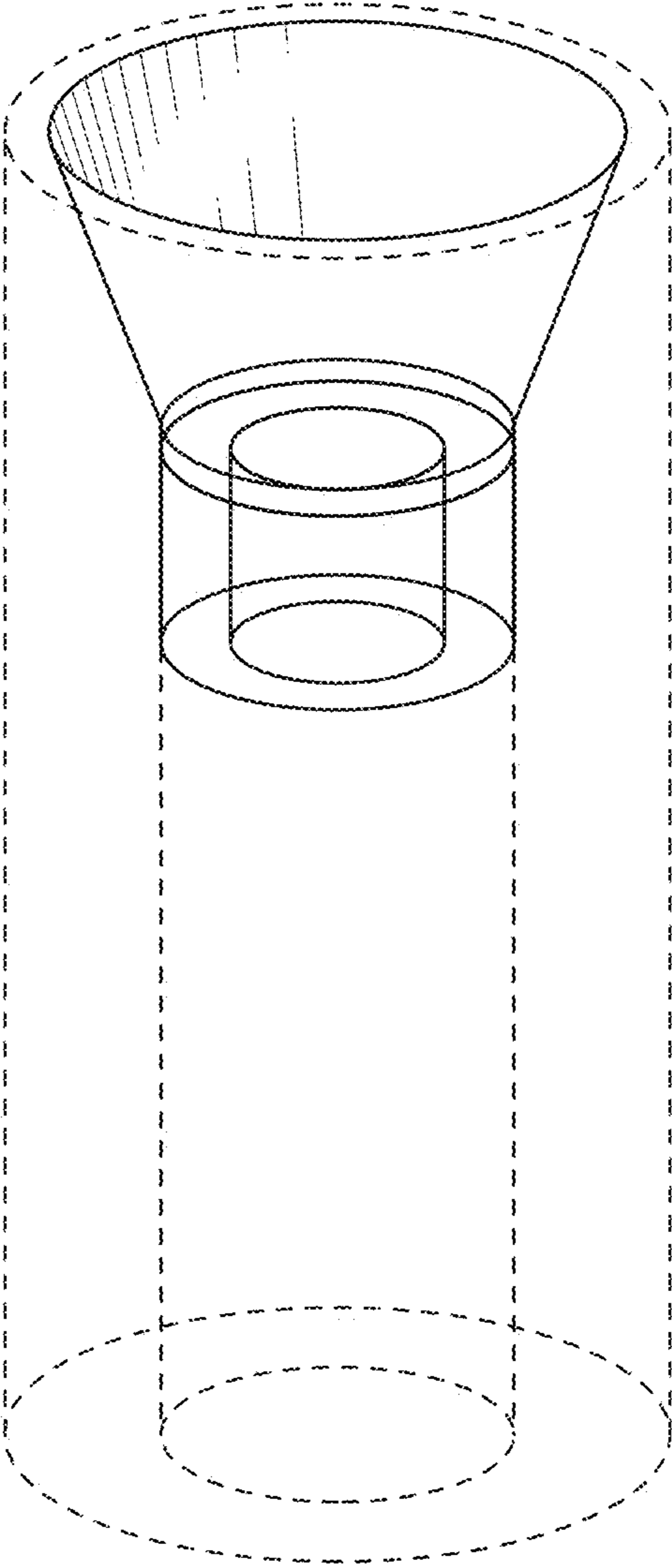
The broken lines in the drawings are provided for environment and depict unclaimed portions of the single piece implant for the dental implant, and form no part of the claimed design.

**1 Claim, 6 Drawing Sheets**

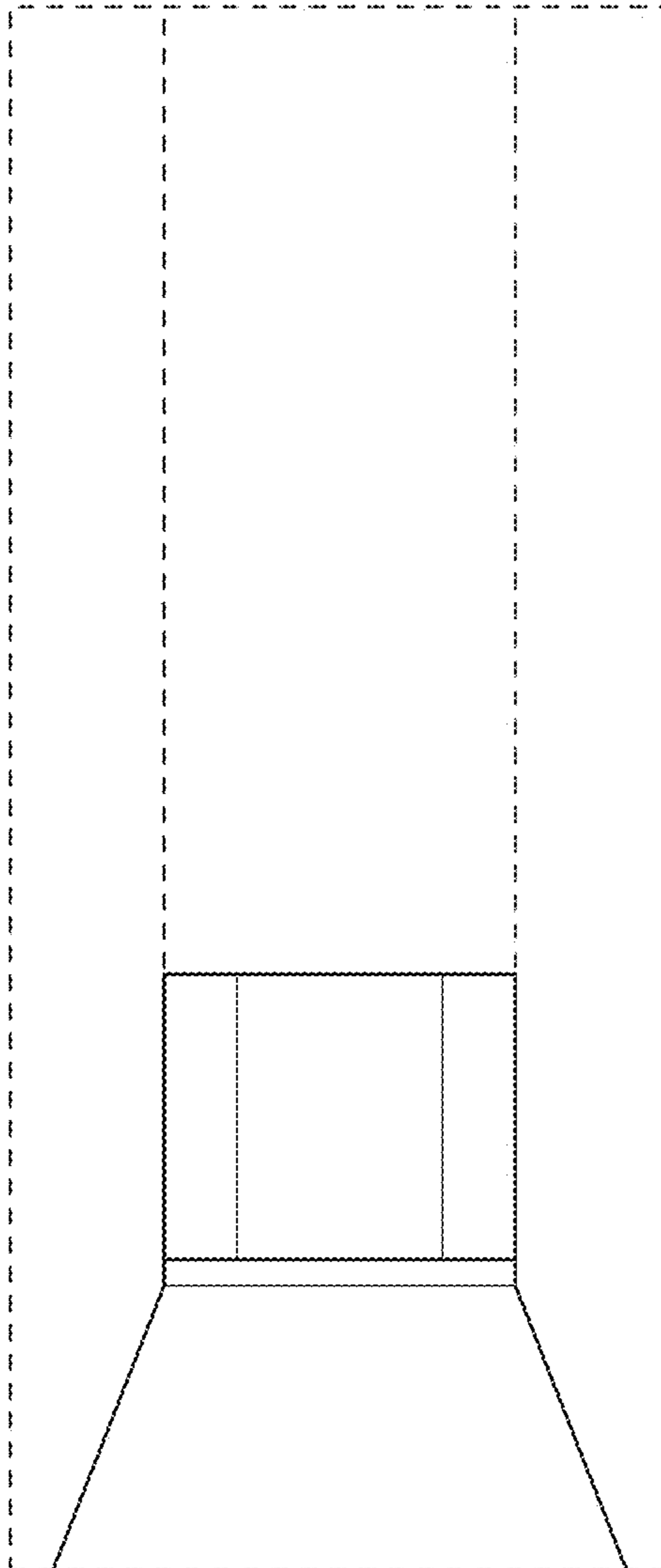




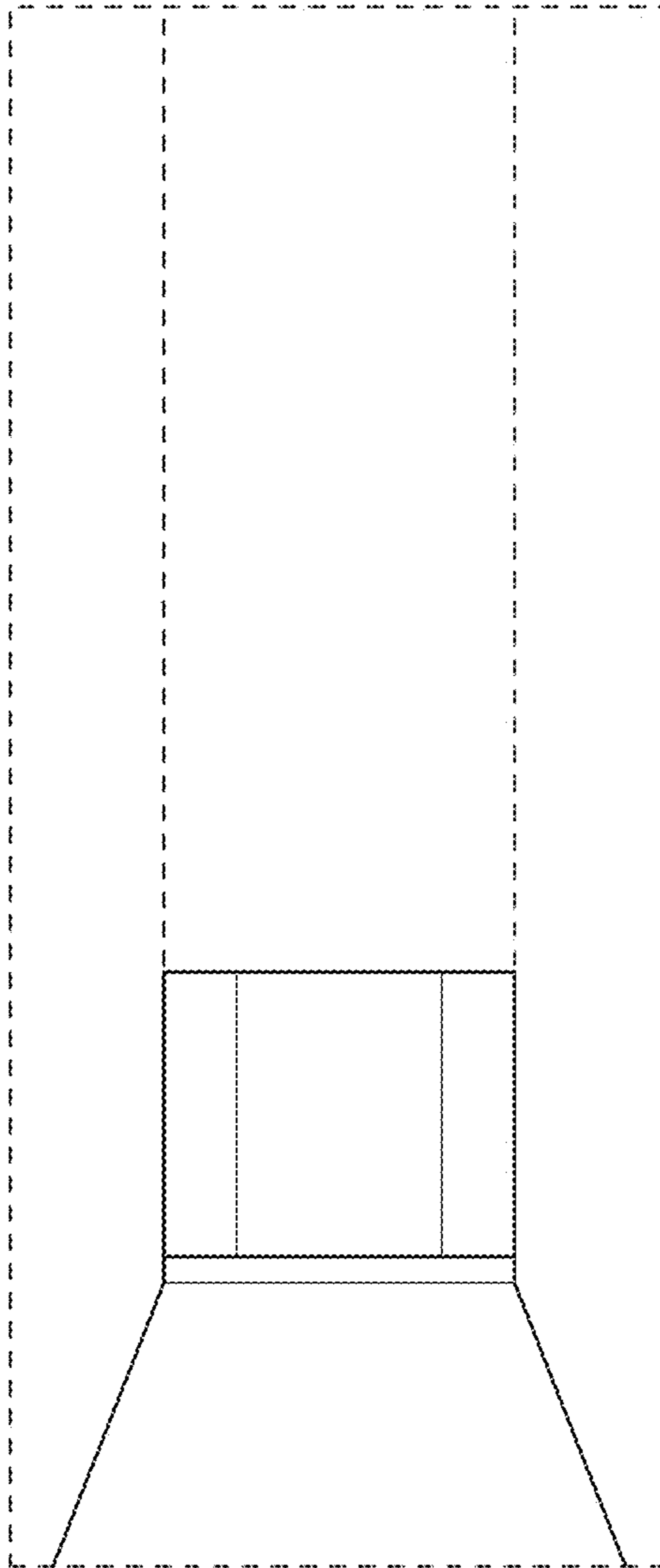
**FIG. 1**



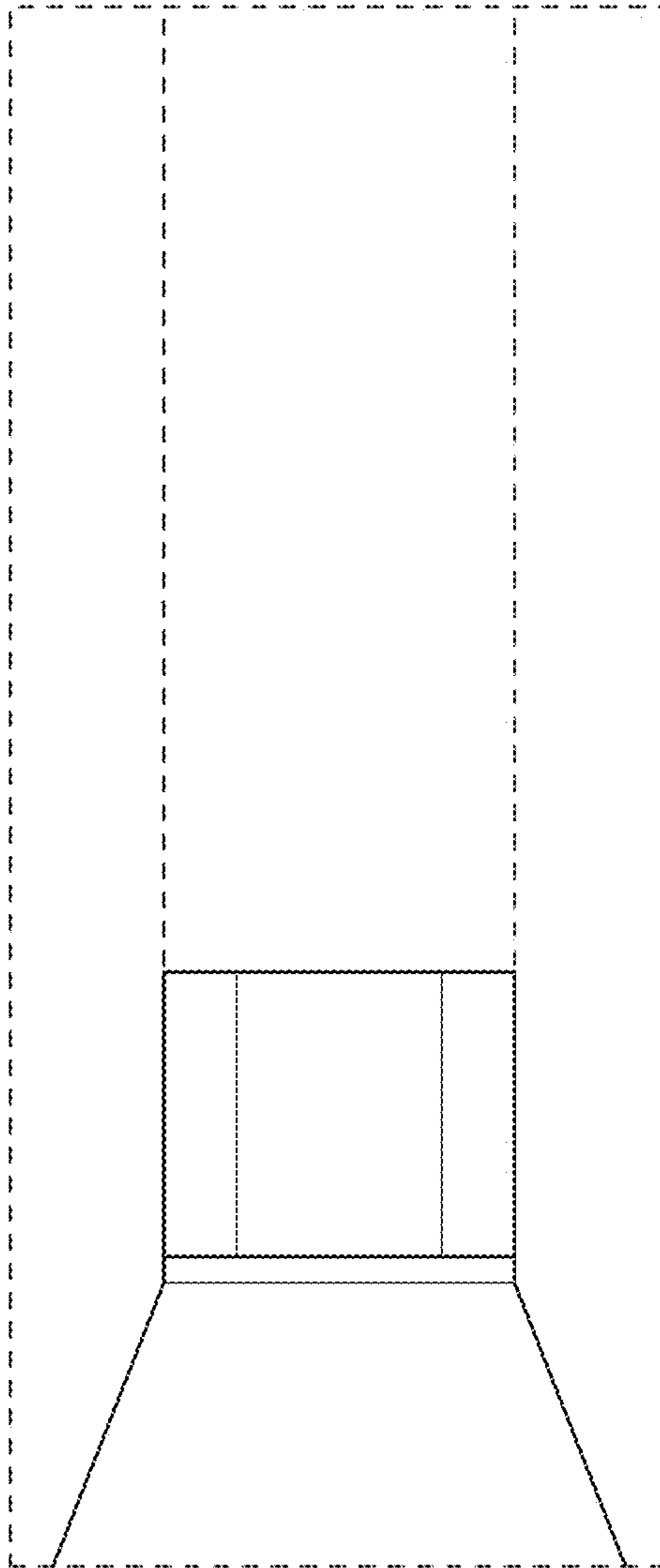
**FIG. 2**



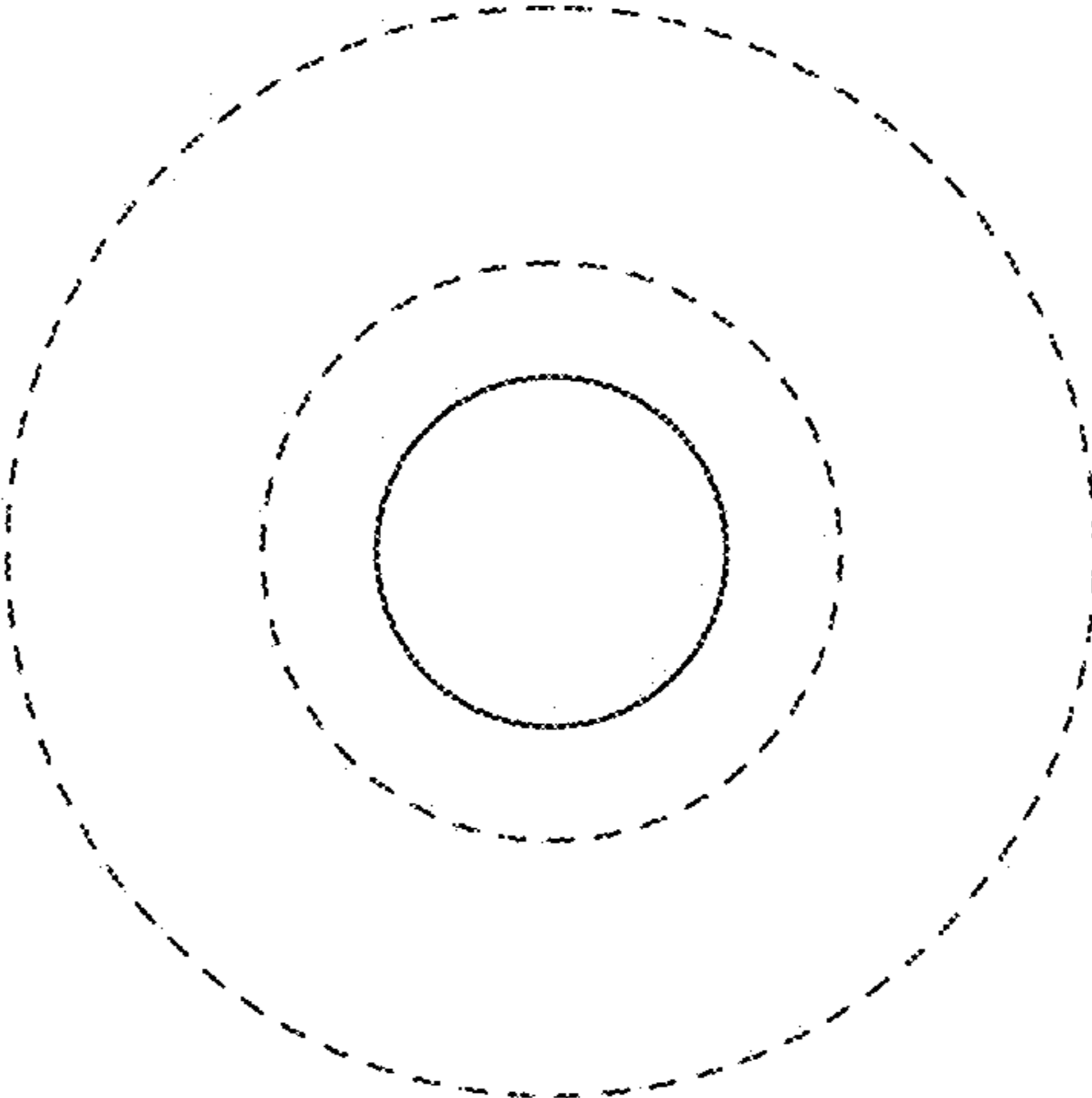
**FIG. 3**



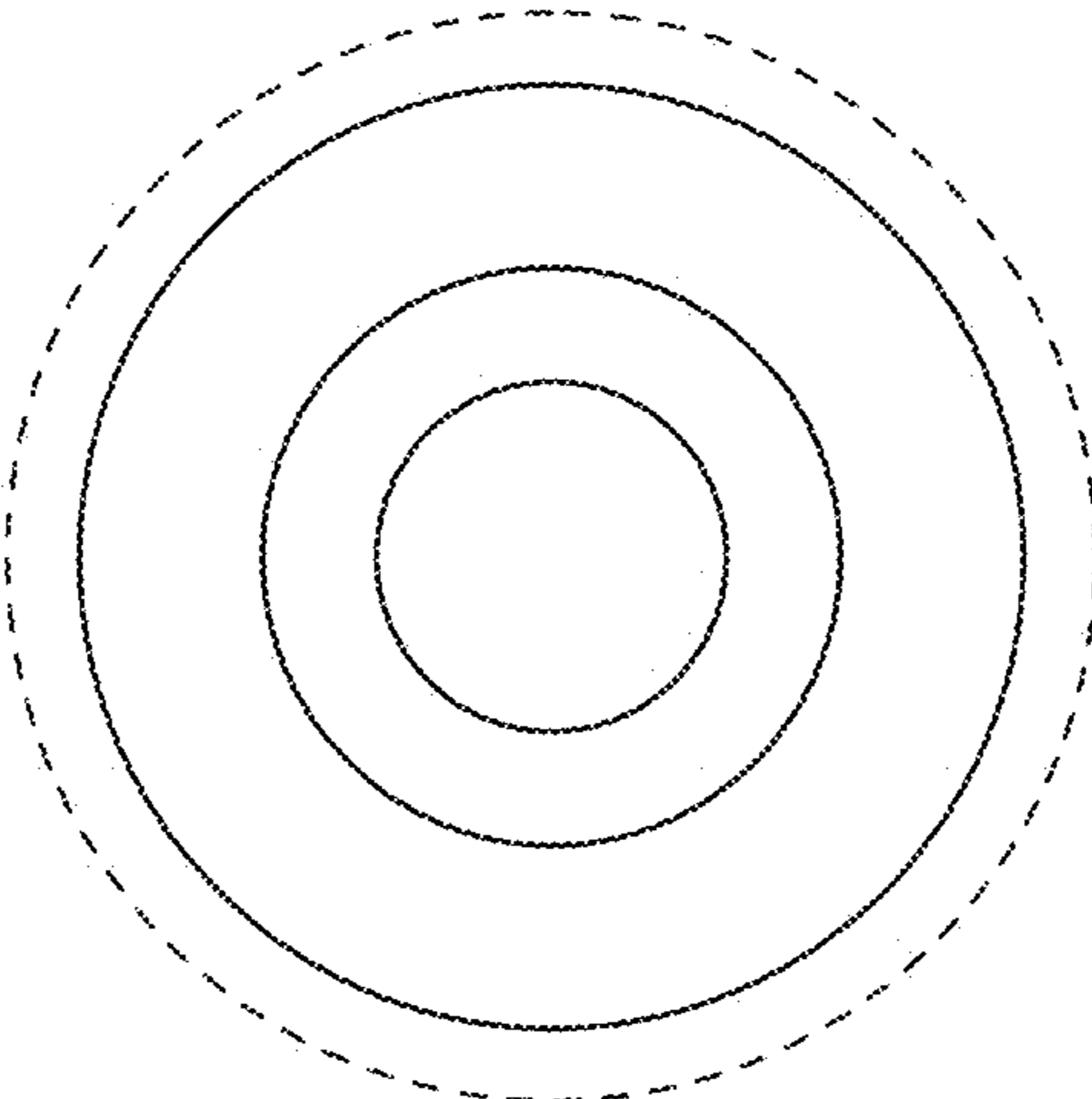
**FIG. 4**



**FIG. 5**



**FIG. 6**



**FIG. 7**