



US00D989312S

(12) **United States Design Patent** (10) **Patent No.:** **US D989,312 S**
Frenkler et al. (45) **Date of Patent:** **** Jun. 13, 2023**

(54) **CRADLE FOR INTRAORAL SCANNER**

D513,322 S * 12/2005 Jackson, III D24/176
 D814,041 S * 3/2018 Kile D24/176
 2018/0333232 A1* 11/2018 Lee A61C 9/0053
 2022/0338723 A1* 10/2022 Farkash A61B 1/24

(71) Applicant: **J. MORITA MFG. CORP.**, Kyoto (JP)

(72) Inventors: **Fritz Frenkler**, Munich (DE); **Junji Kawabe**, Kyoto (JP); **Hidenori Kurimoto**, Kyoto (JP); **Masanori Otsuka**, Kyoto (JP)

* cited by examiner

Primary Examiner — Wan Laymon

(74) *Attorney, Agent, or Firm* — Dilworth IP, LLC

(73) Assignee: **J. MORITA MFG. CORP.**

(**) Term: **15 Years**

(21) Appl. No.: **35/514,413**

(22) Filed: **May 10, 2022**

(80) **Hague Agreement Data**

Int. Filing Date: **May 10, 2022**
 Int. Reg. No.: **DM/221052**
 Int. Reg. Date: **May 10, 2022**
 Int. Reg. Pub. Date: **Jun. 10, 2022**

(30) **Foreign Application Priority Data**

Dec. 14, 2021 (JP) 2021-027508 D

(51) **LOC (14) Cl.** **24-02**

(52) **U.S. Cl.**
 USPC **D24/152**; D24/176

(58) **Field of Classification Search**
 USPC D24/152, 176–178, 185
 CPC ... A61C 9/0053; A61C 7/002; A61B 1/00172;
 A61B 1/24; A61B 5/008; G06T
 2207/30036

See application file for complete search history.

(56) **References Cited**

U.S. PATENT DOCUMENTS

5,928,220 A * 7/1999 Shimoji A61C 19/004
 606/17
 D476,743 S * 7/2003 D’Silva D24/177

(57) **CLAIM**

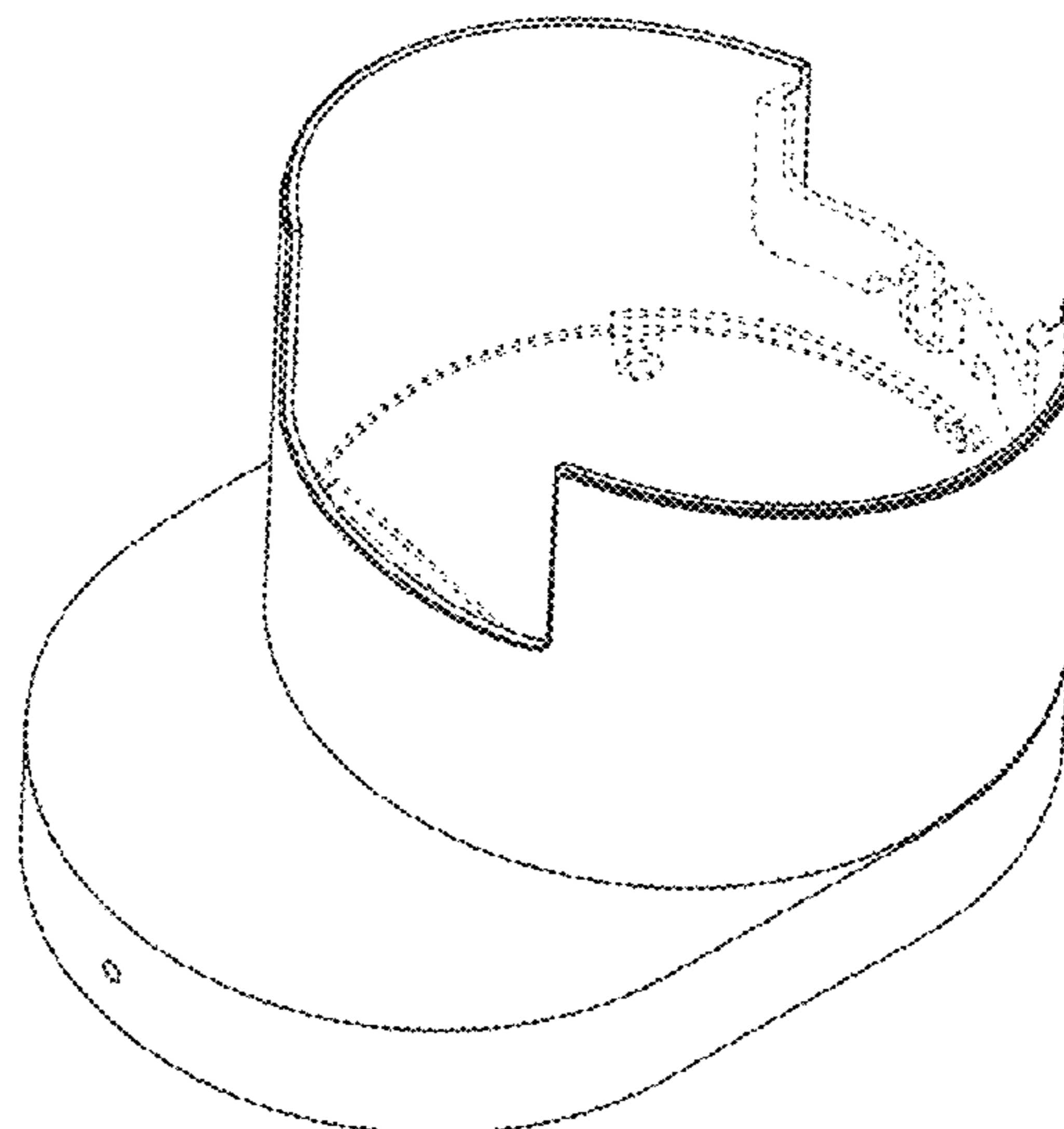
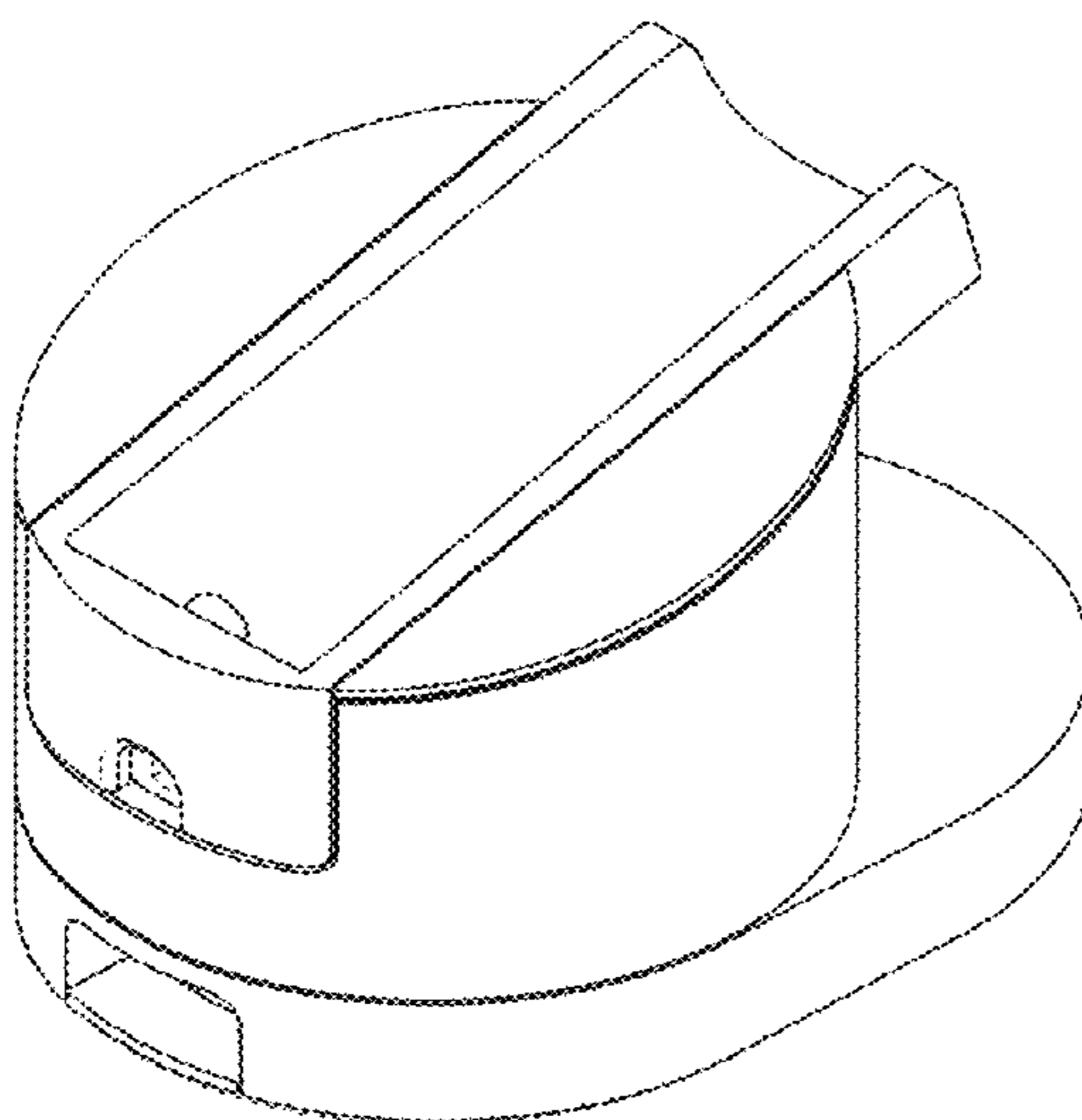
The ornamental design for a cradle for an intraoral scanner, as shown and described.

DESCRIPTION

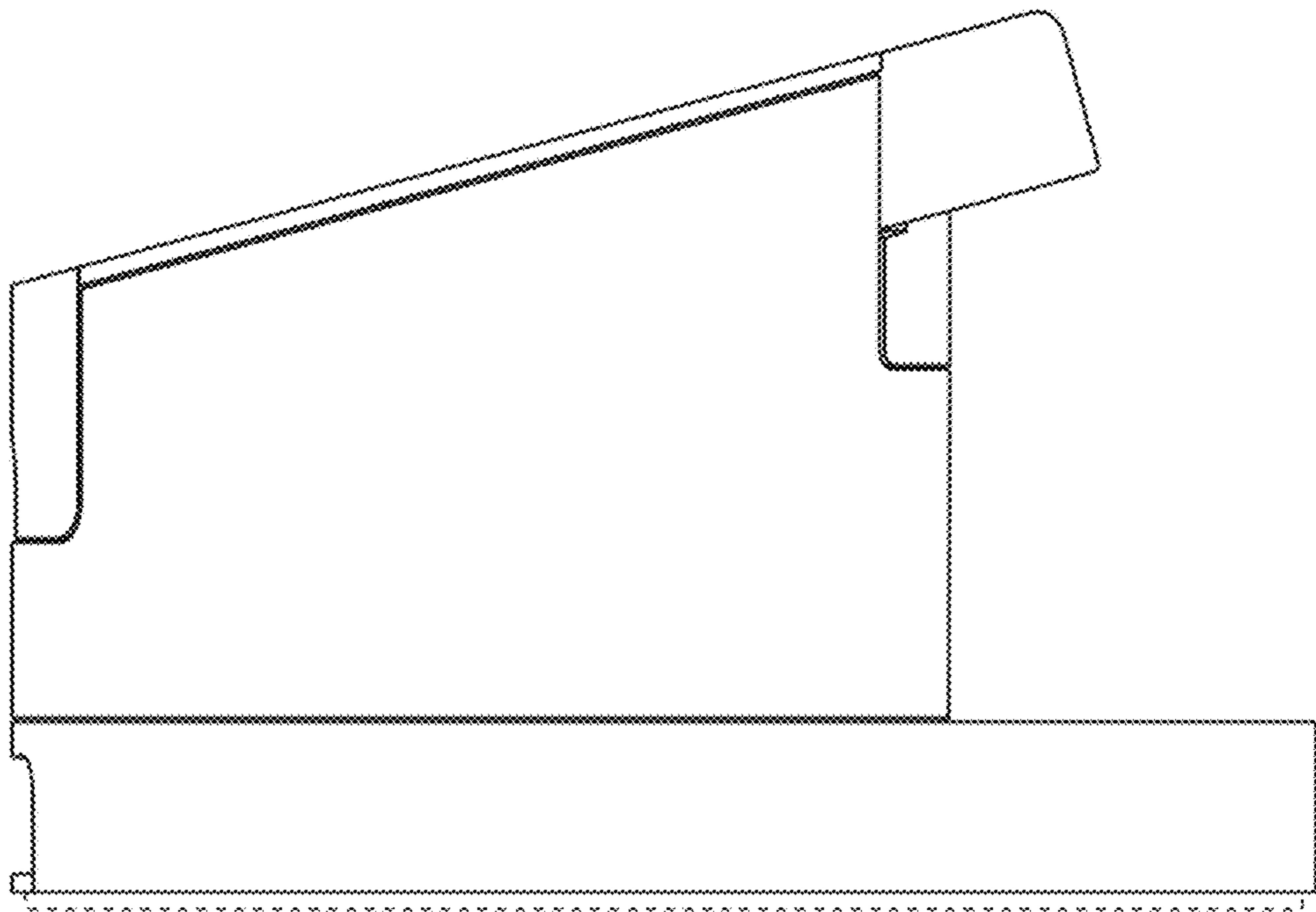
- 1. Cradle for intraoral scanner
- 1.1 : Front
- 1.2 : Back
- 1.3 : Top
- 1.4 : Bottom
- 1.5 : Right
- 1.6 : Left
- 1.7 : Perspective view 1
- 1.8 : Perspective view 2
- 1.9 : Perspective view 3
- 1.10 : Perspective view with the lid removed 1
- 1.11 : Perspective view with the lid removed 2
- 1.12 : Perspective view 1 with the hanger rotated 30 degrees

The article is a cradle for placing an intraoral scanner which is a device for scanning a three-dimensional shape of an interior of an oral cavity mainly in dental treatment; the hanger of the article can be rotated 30 degrees to the left and right relative to the base of the article when viewed from the right side; the parts shown in dotted lines do not form part of the claimed design.

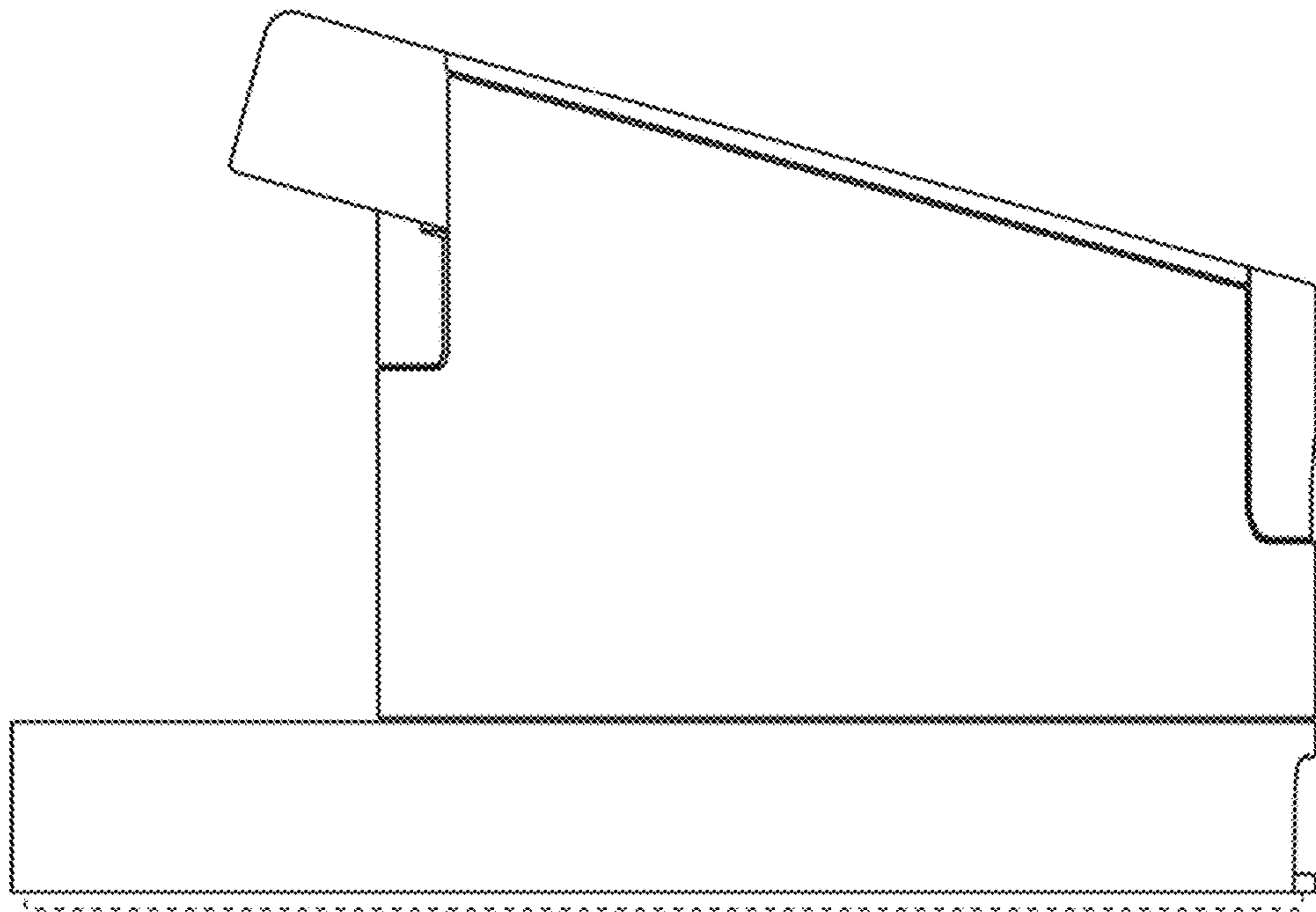
1 Claim, 12 Drawing Sheets



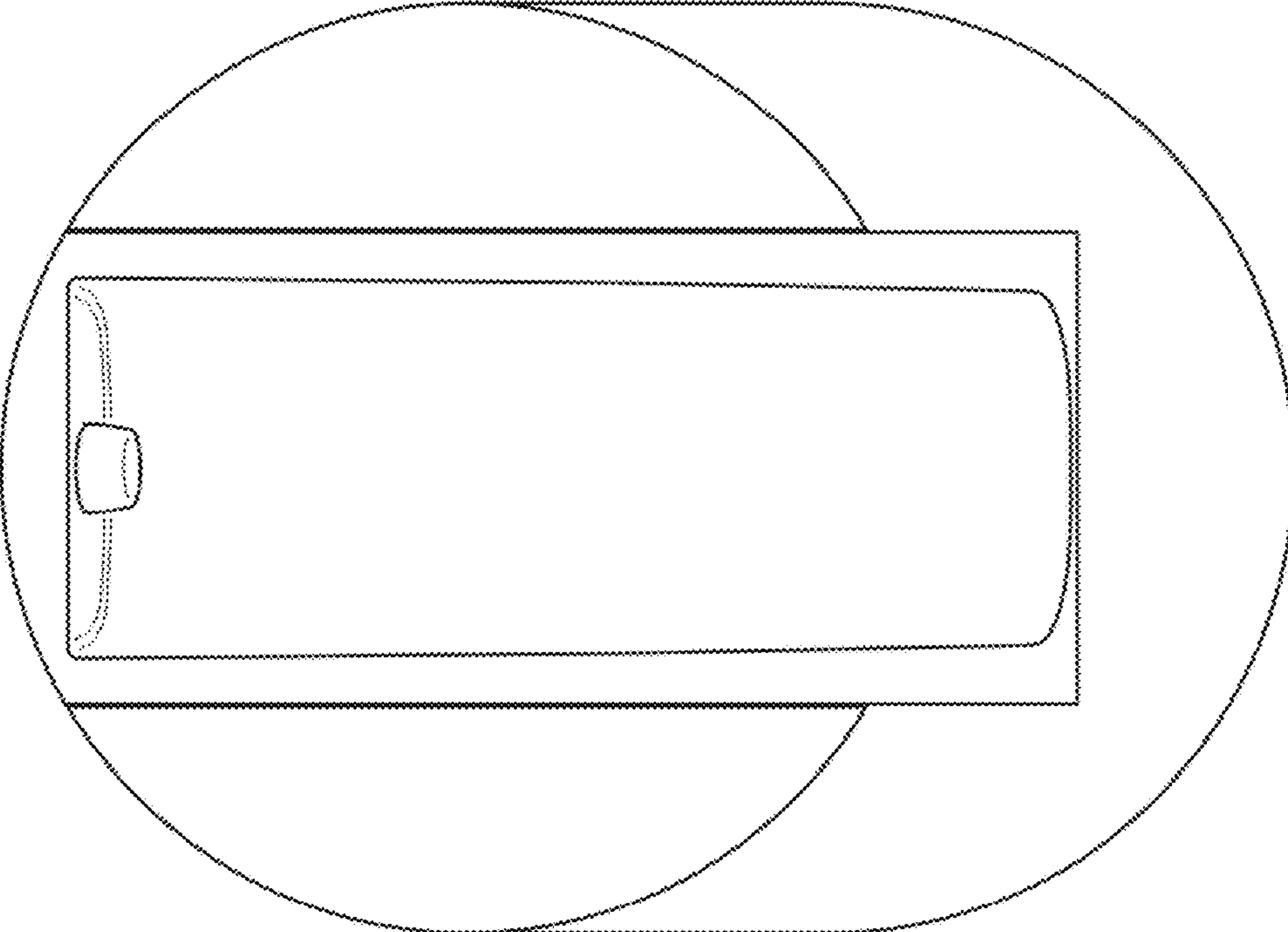
1.1



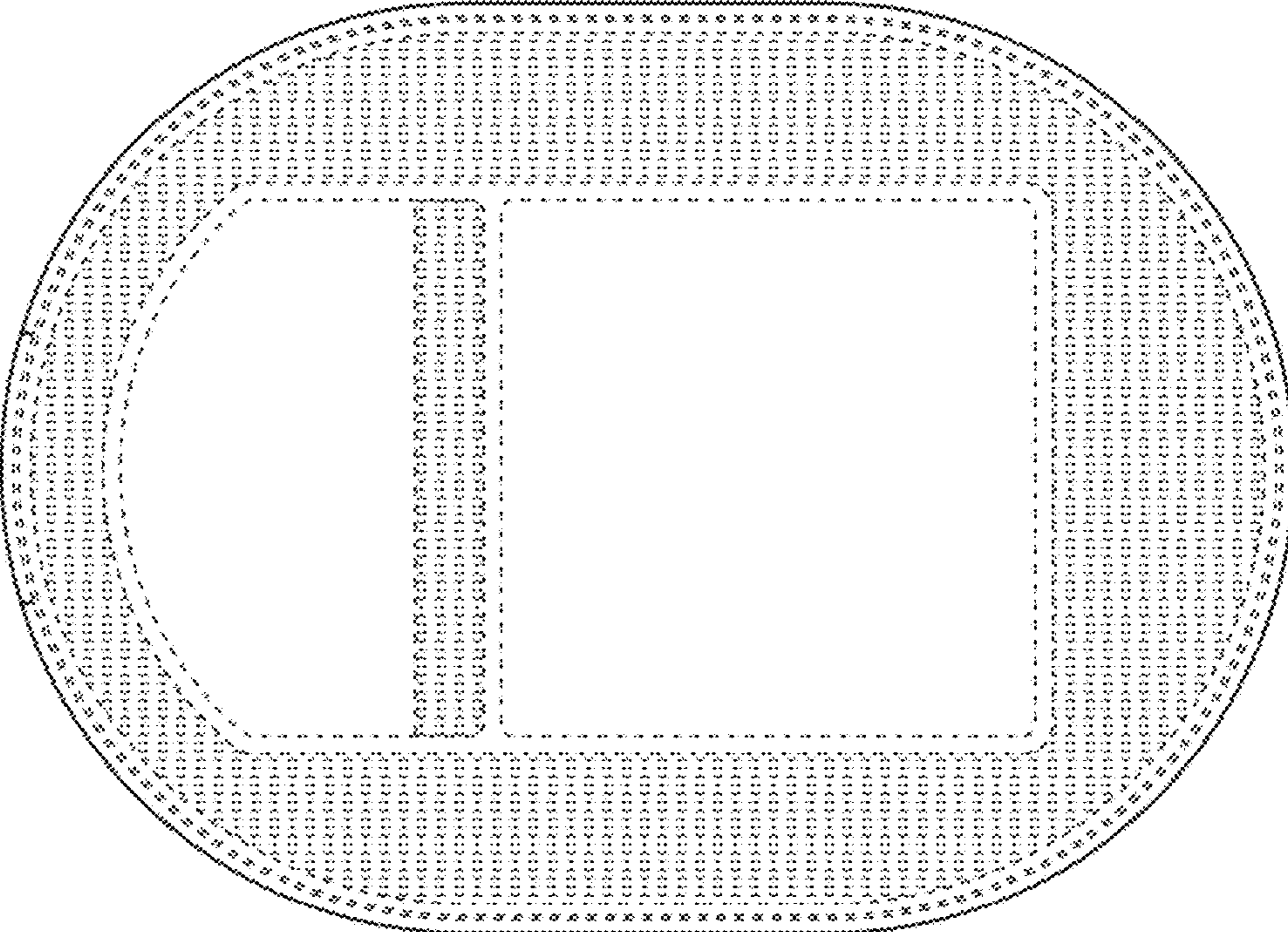
1.2



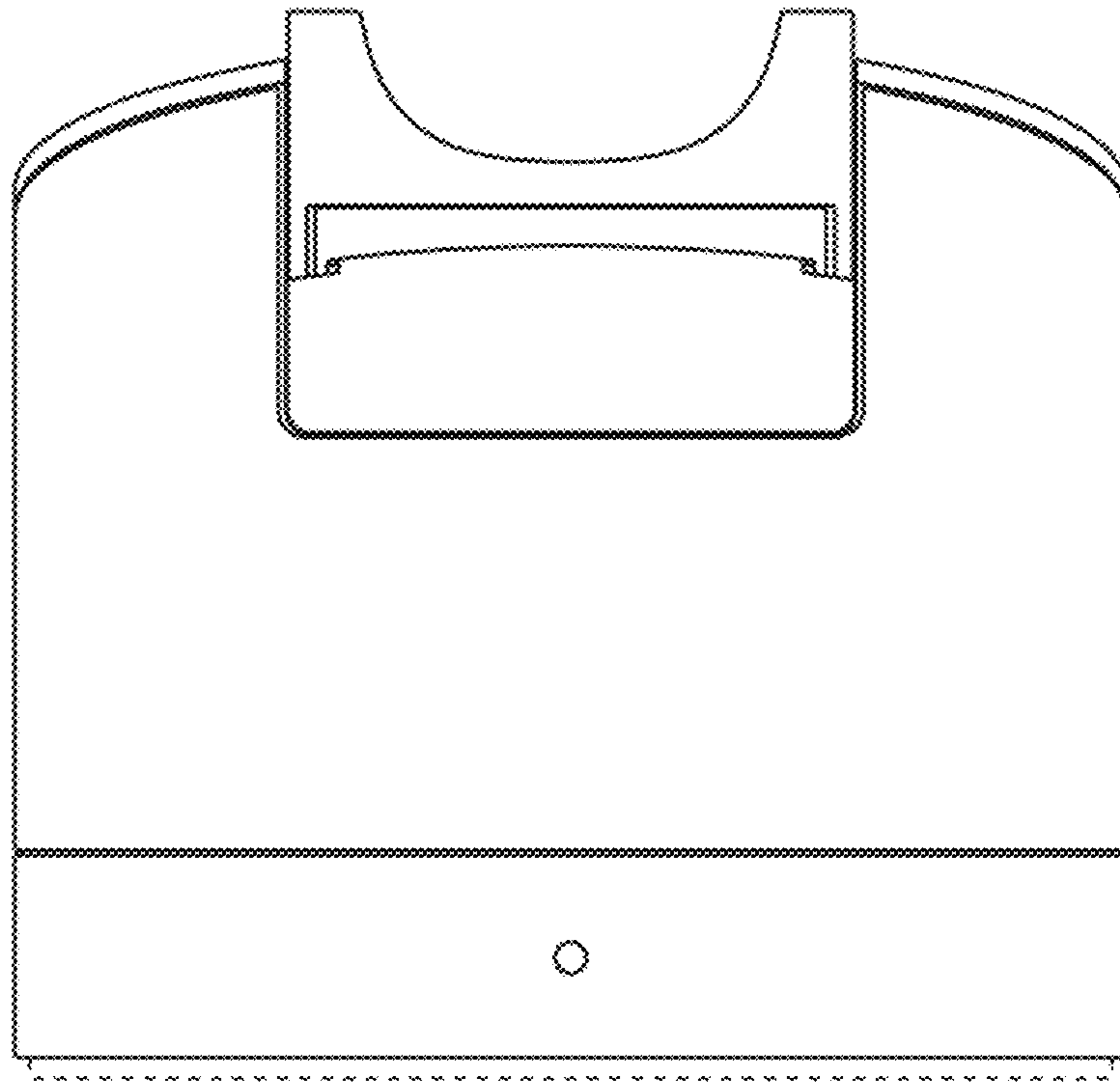
1.3



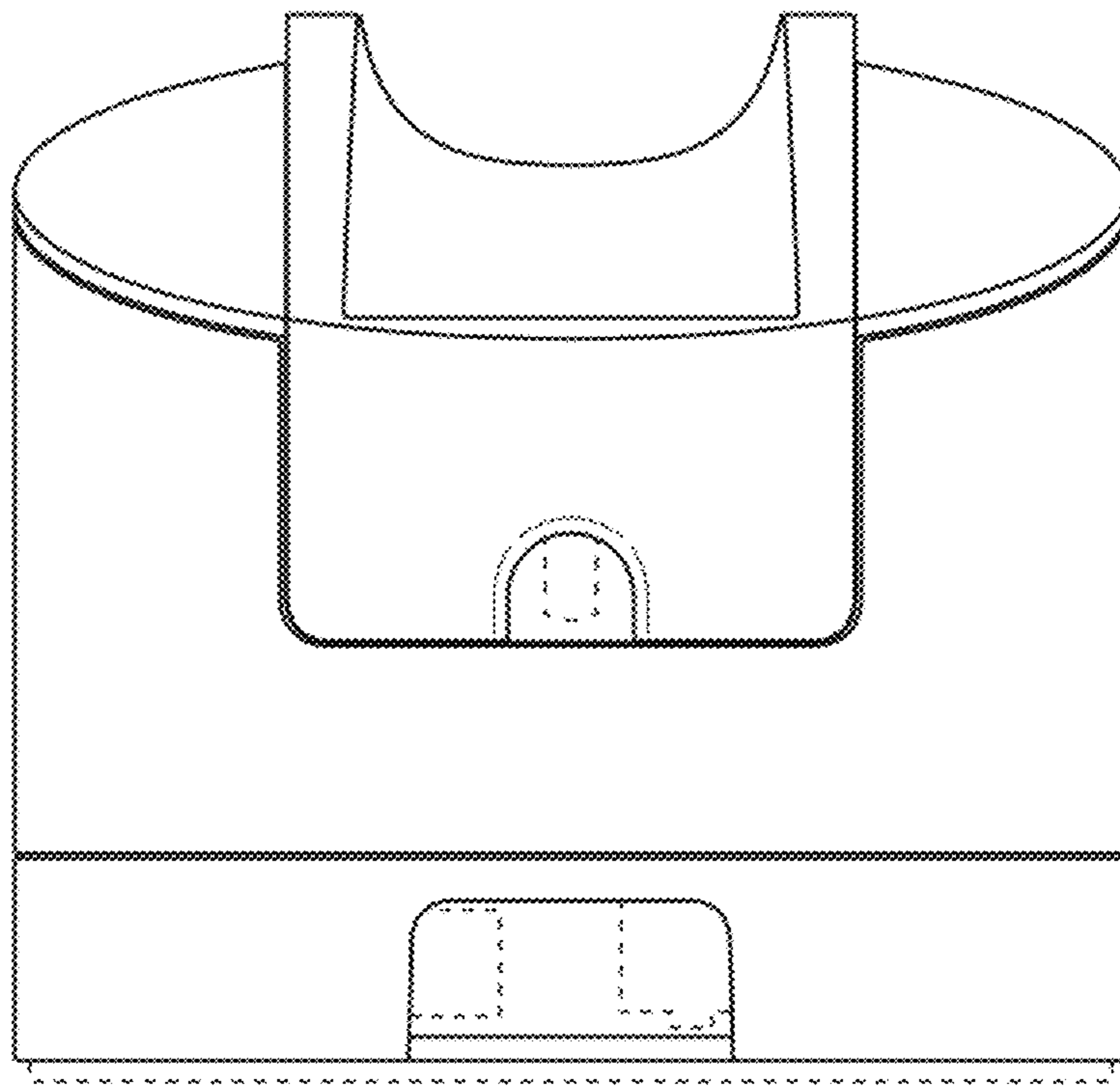
1.4



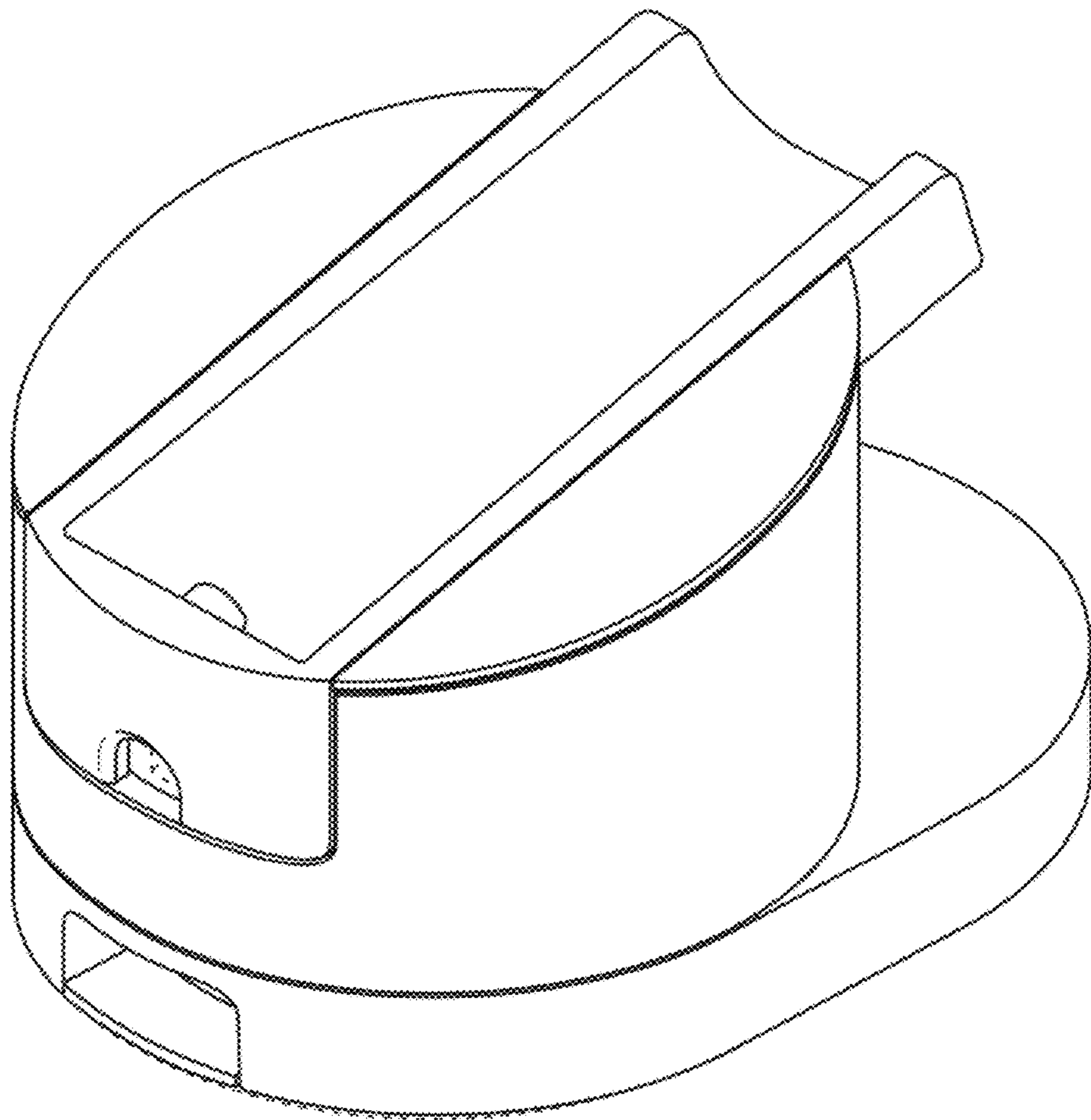
1.5



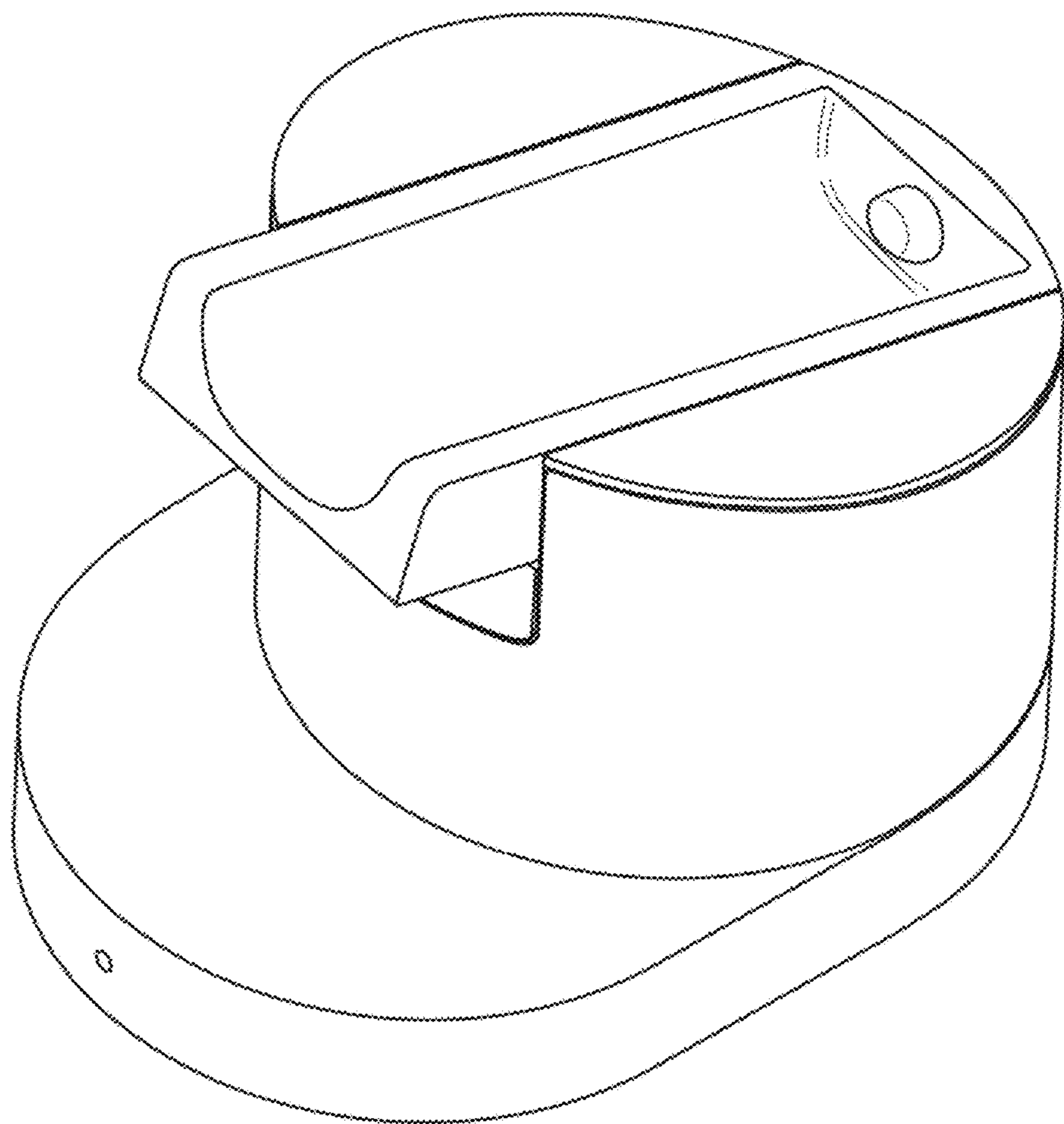
1.6



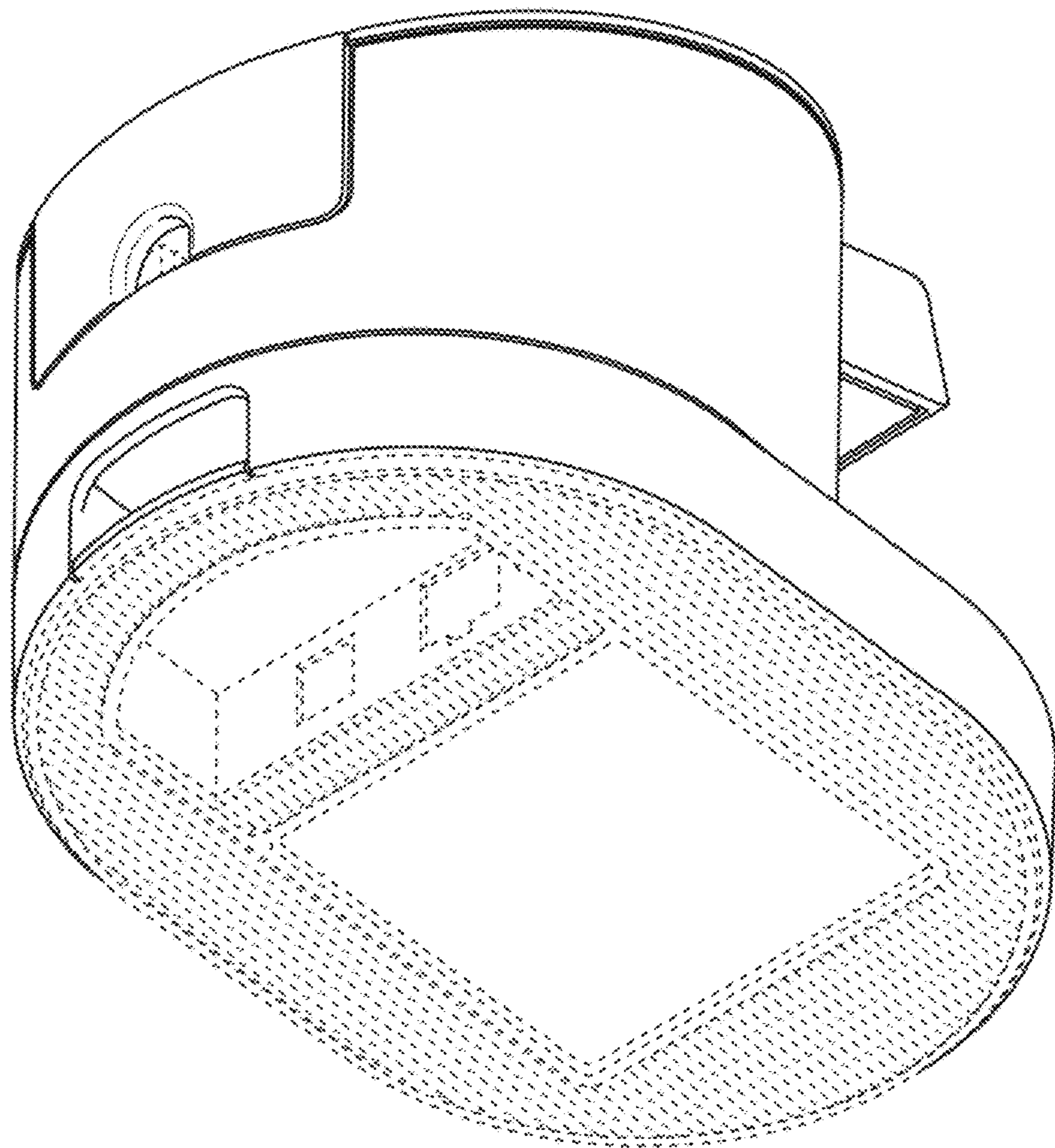
1.7



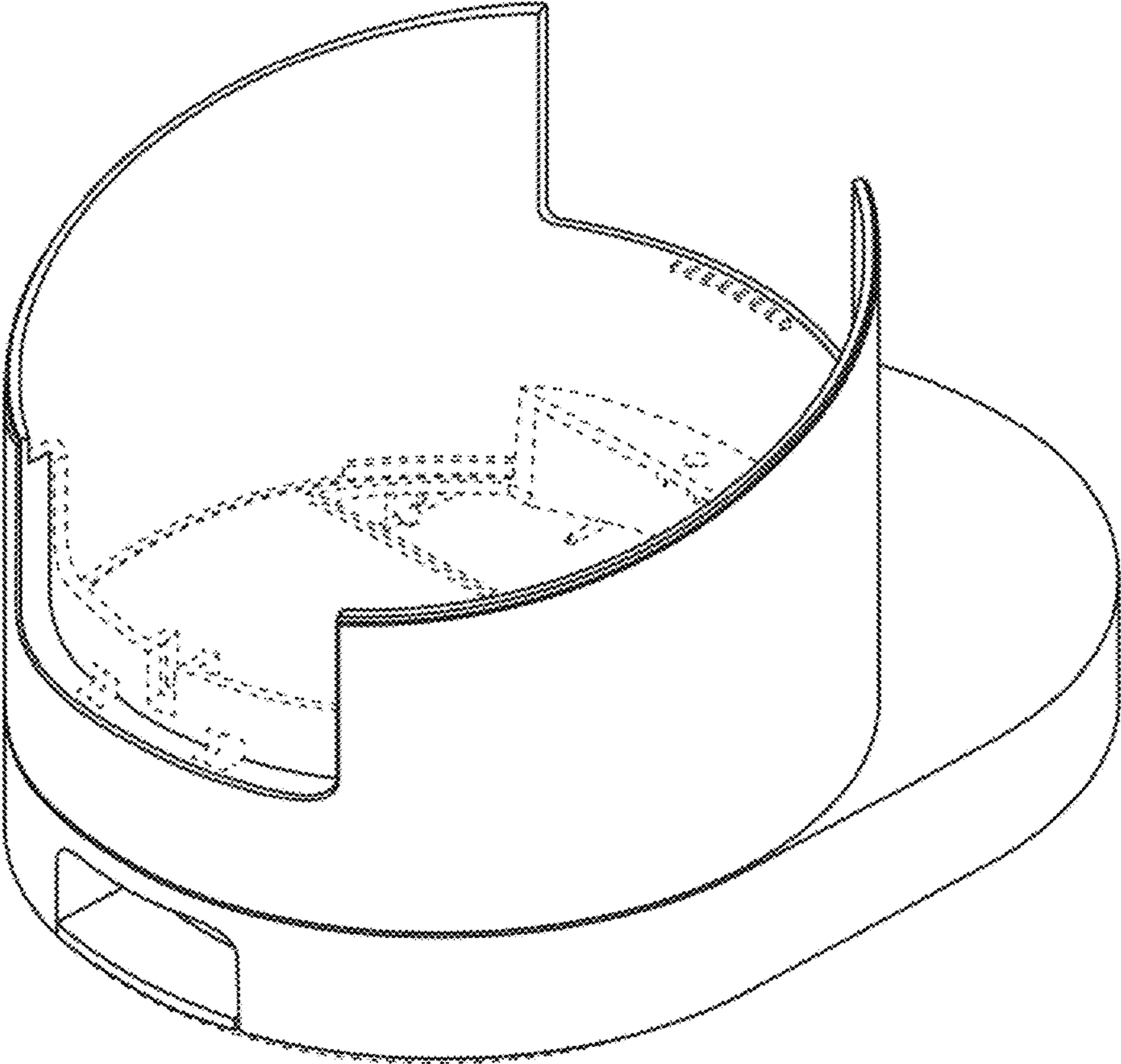
1.8



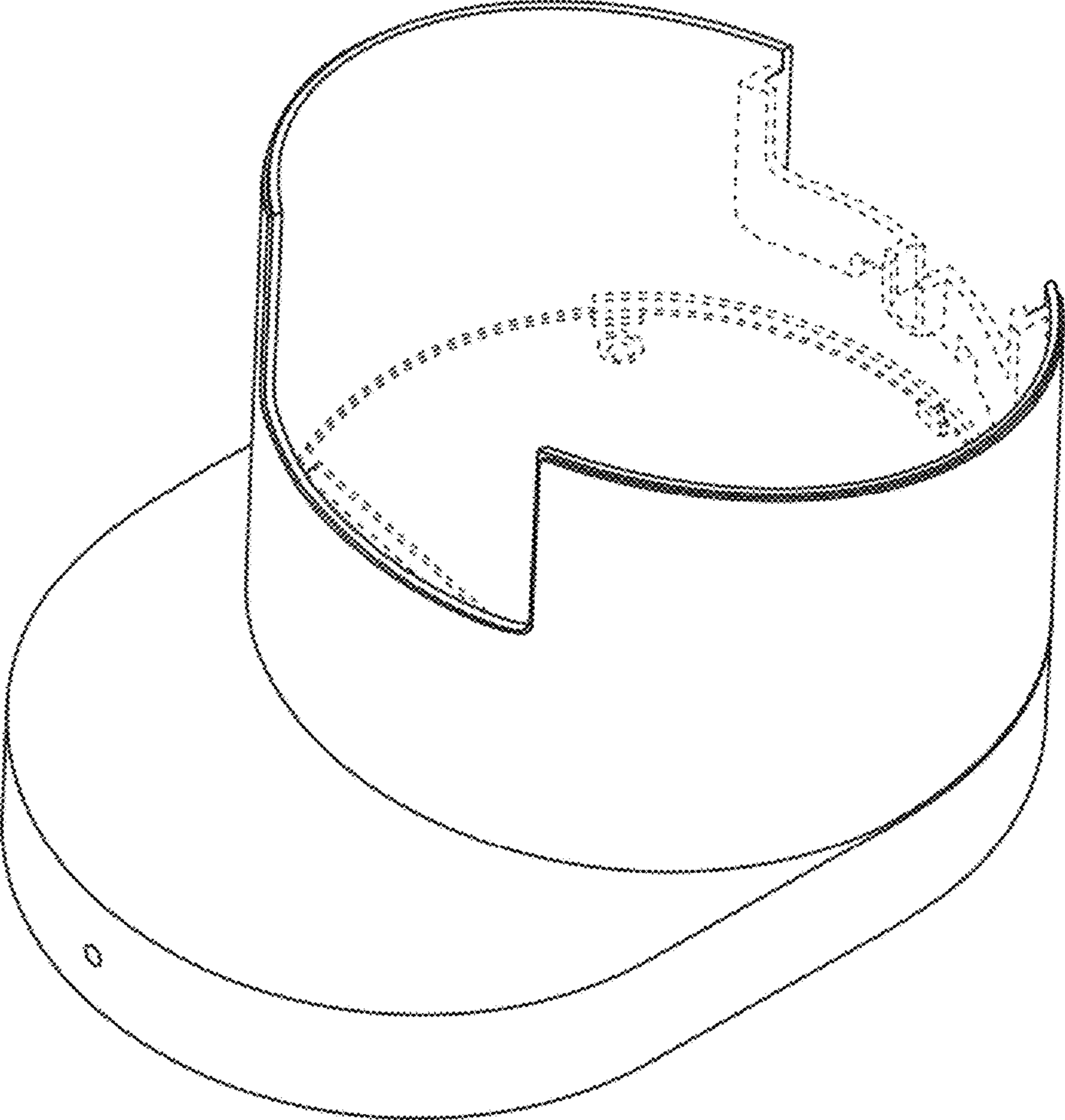
1.9



1.10



1.11



1.12

