



US00D989311S

(12) **United States Design Patent** (10) **Patent No.:** **US D989,311 S**
Frenkler et al. (45) **Date of Patent:** **** Jun. 13, 2023**

(54) **TIP FOR INTRAORAL SCANNER**
(71) Applicant: **J. MORITA MFG. CORP.**, Kyoto (JP)
(72) Inventors: **Fritz Frenkler**, Munich (DE); **Junji Kawabe**, Kyoto (JP); **Tsuyoshi Tanaka**, Kyoto (JP)
(73) Assignee: **J. MORITA MFG. CORP.**
(**) Term: **15 Years**
(21) Appl. No.: **35/514,406**
(22) Filed: **May 10, 2022**
(80) **Hague Agreement Data**
Int. Filing Date: **May 10, 2022**
Int. Reg. No.: **DM/221053**
Int. Reg. Date: **May 10, 2022**
Int. Reg. Pub. Date: **Jun. 10, 2022**

(30) **Foreign Application Priority Data**
Dec. 14, 2021 (JP) 2021-027509 D
(51) **LOC (14) Cl.** **24-02**
(52) **U.S. Cl.**
USPC **D24/152**
(58) **Field of Classification Search**
USPC D24/152, 158, 176, 133
CPC A61C 9/0053; A61B 1/24; A61B 1/00183;
A61B 1/06; A61B 1/05; A61B 5/0088;
A61B 6/145; A61B 6/425
See application file for complete search history.

(56) **References Cited**
U.S. PATENT DOCUMENTS
D597,207 S * 7/2009 Kobayashi D24/152
D630,747 S * 1/2011 Shinohara D24/152
D648,026 S * 11/2011 Okawa D24/152
D660,965 S * 5/2012 Waclawik D24/152
D774,193 S * 12/2016 Makmel D24/152

D823,468 S * 7/2018 Frenkler D24/152
D910,850 S * 2/2021 Hansen D24/152
D971,409 S * 11/2022 He D24/152
(Continued)

OTHER PUBLICATIONS

J. Morita Mfg. Corp., "Package insert for a digital image taking device, URL: https://www.pmda.go.jp/PmdaSearch/kikiDetail/ResultDataSetPDF/790033_30300BZX00243000_A_01_01", Pharmaceuticals and Medical Devices Agency, Nov. 4, 2021.

Primary Examiner — Wan Laymon
(74) *Attorney, Agent, or Firm* — Dilworth IP, LLC

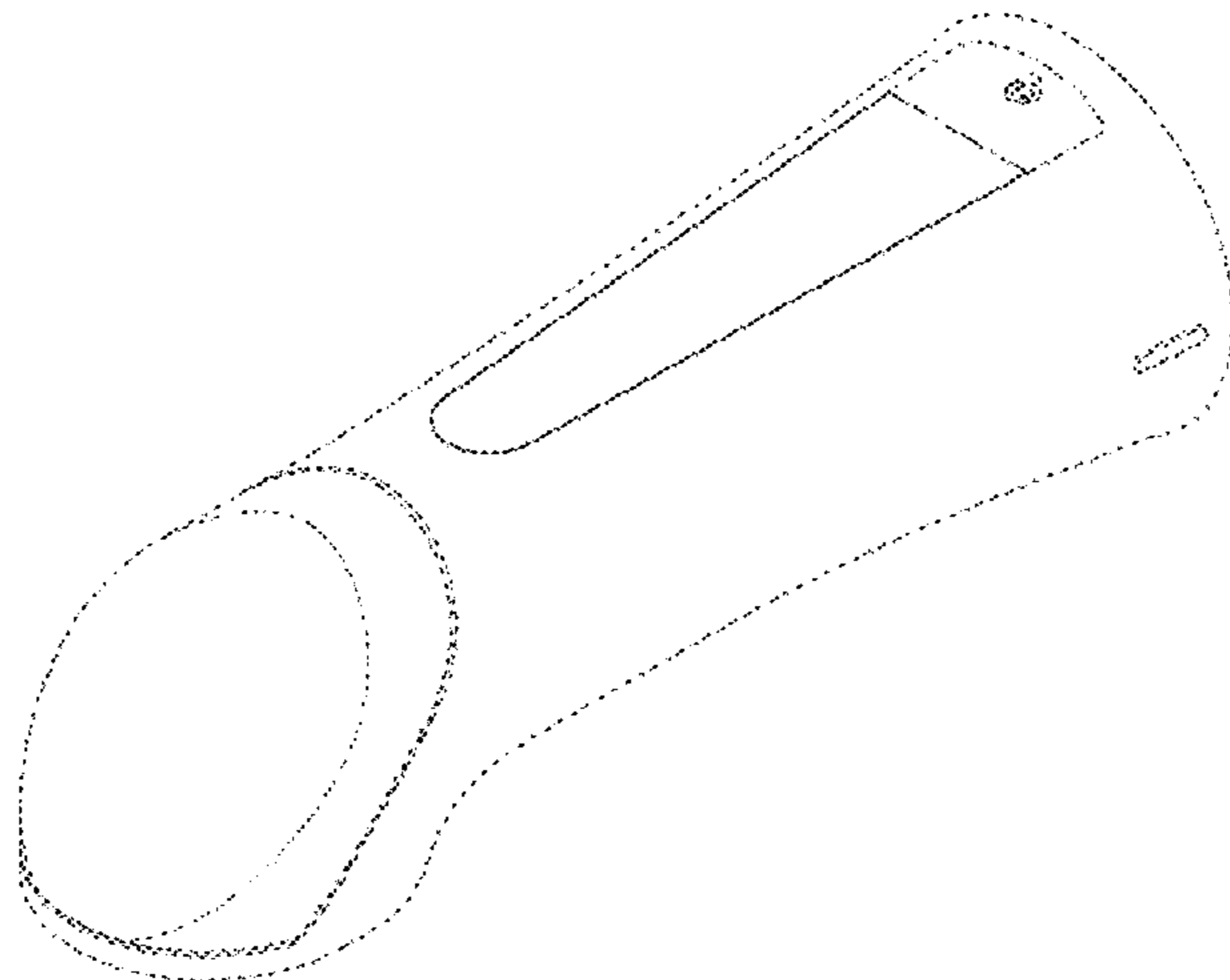
(57) **CLAIM**

The ornamental design for a tip for intraoral scanner, as shown and described.

DESCRIPTION

1. Tip for intraoral scanner
1.1 : Front
1.2 : Back
1.3 : Top
1.4 : Bottom
1.5 : Right
1.6 : Left
1.7 : Sectional view taken through the line 1.7-1.7 of figure 1.1
1.8 : Perspective
The article is a tip used for an intraoral scanner which is a device for scanning a three-dimensional shape of an interior of an oral cavity mainly in dental treatment; the article can be detached from the intraoral scanner; the claimed portion of the article is a portion with which a finger of a user (e.g. a dentist) comes into contact; also, the shape of the claimed portion is substantially flat; as such, the user can recognize the orientation of the tip of the intraoral scanner by touch of the finger without looking directly at the intraoral scanner; the parts shown in dotted lines do not form part of the

(Continued)



claimed design; the broken lines having alternating long and short segments define bounds of the claimed design and form no part thereof.

1 Claim, 8 Drawing Sheets

(56)

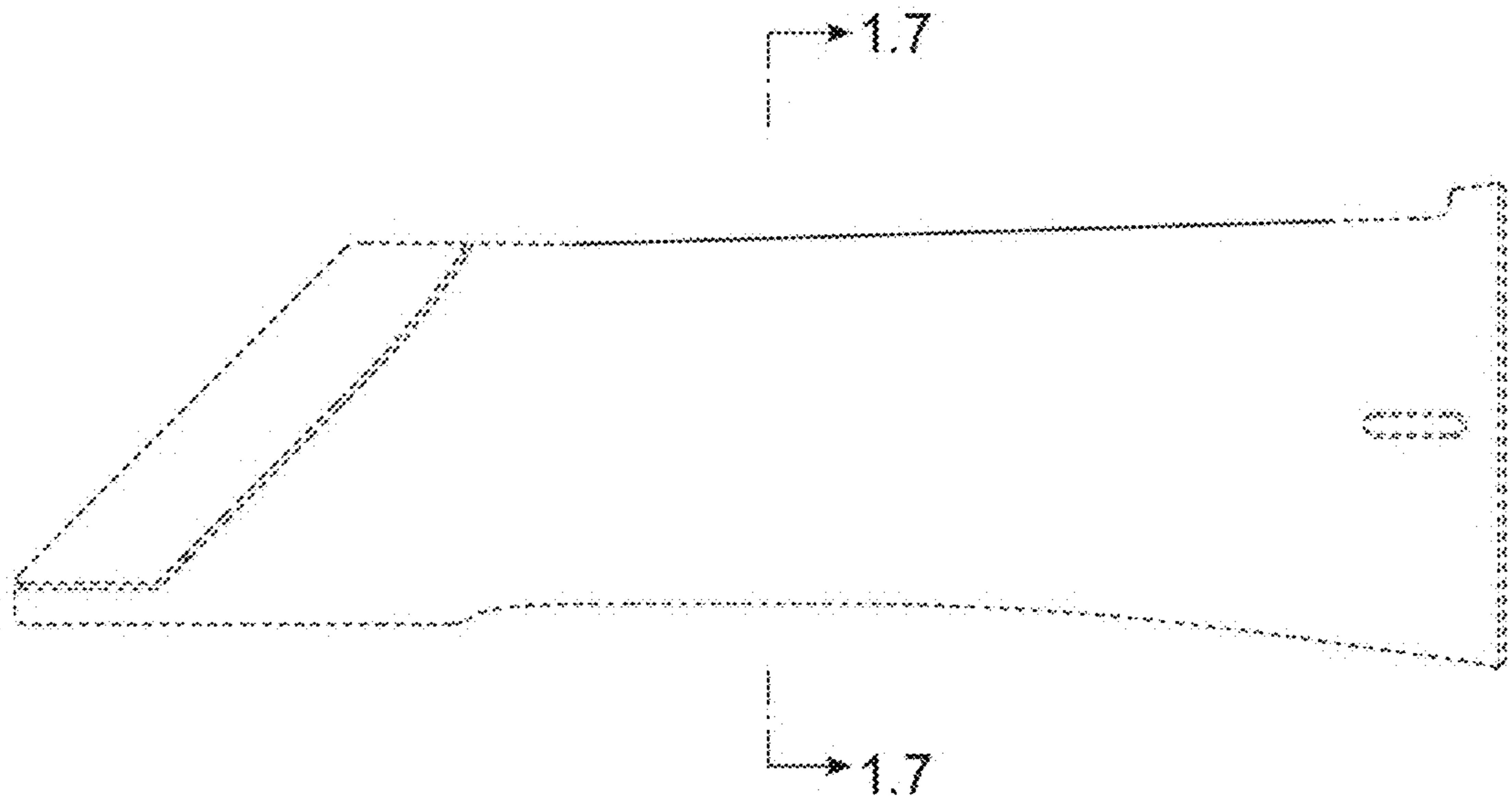
References Cited

U.S. PATENT DOCUMENTS

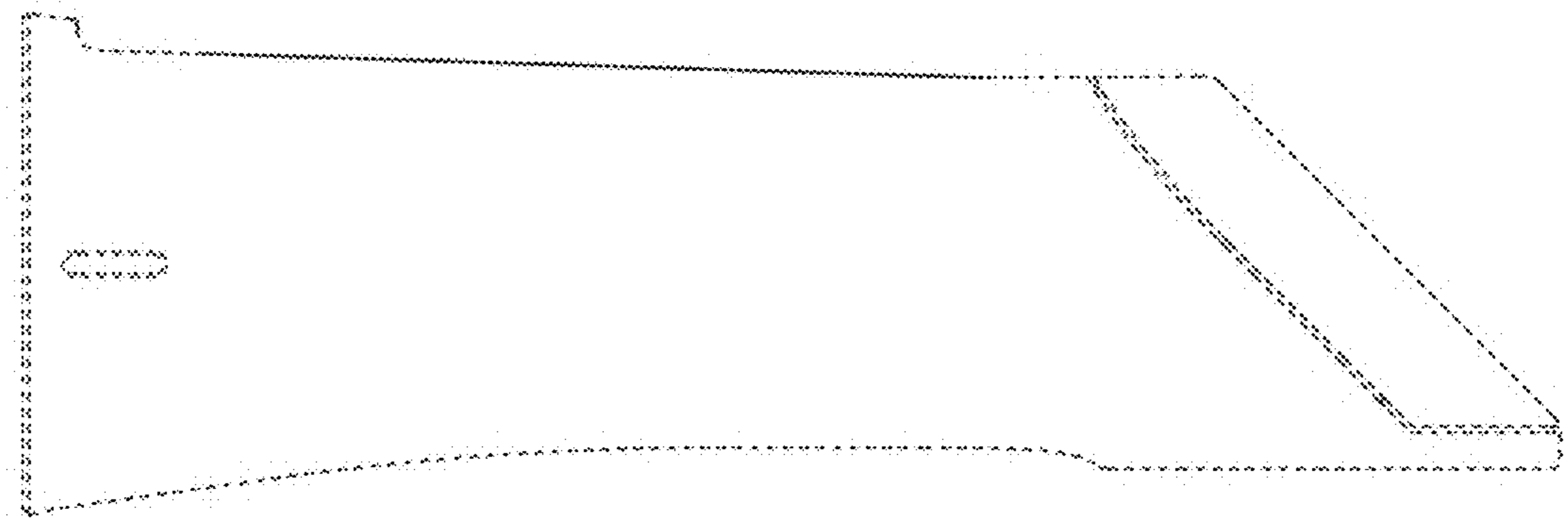
2016/0256245	A1*	9/2016	Van Der Poel	A61C 9/0053
2019/0247163	A1*	8/2019	Wu	A61B 5/0088
2021/0186667	A1*	6/2021	Abu-Tarif	A61C 9/0053

* cited by examiner

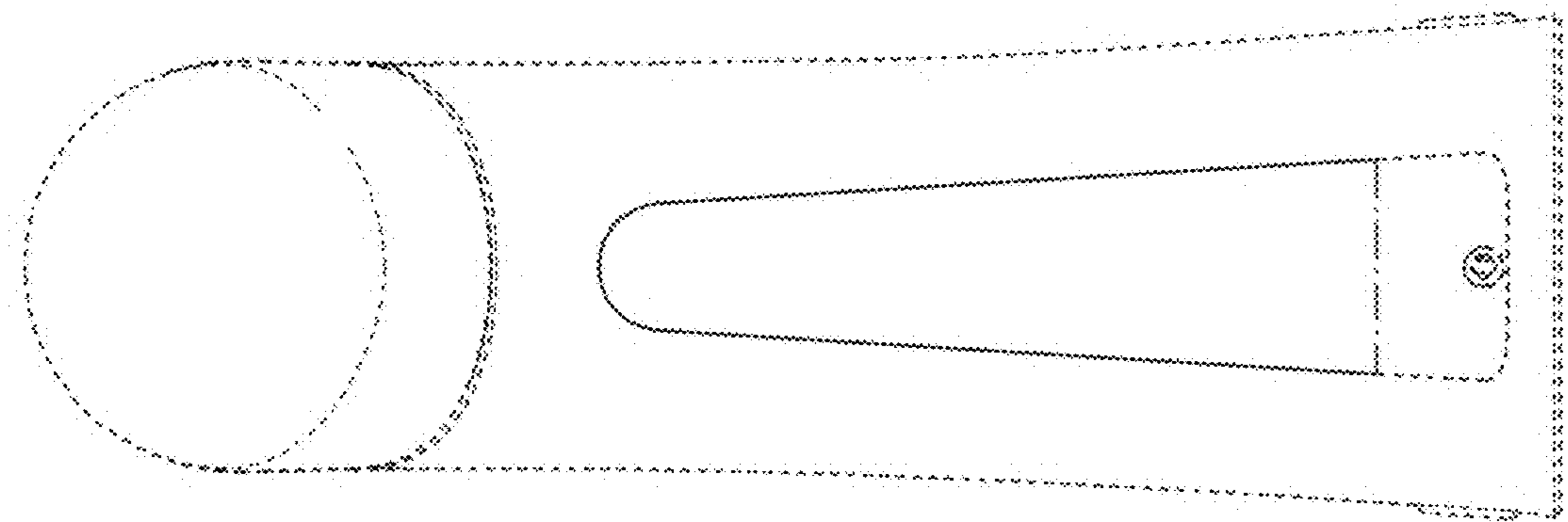
1.1



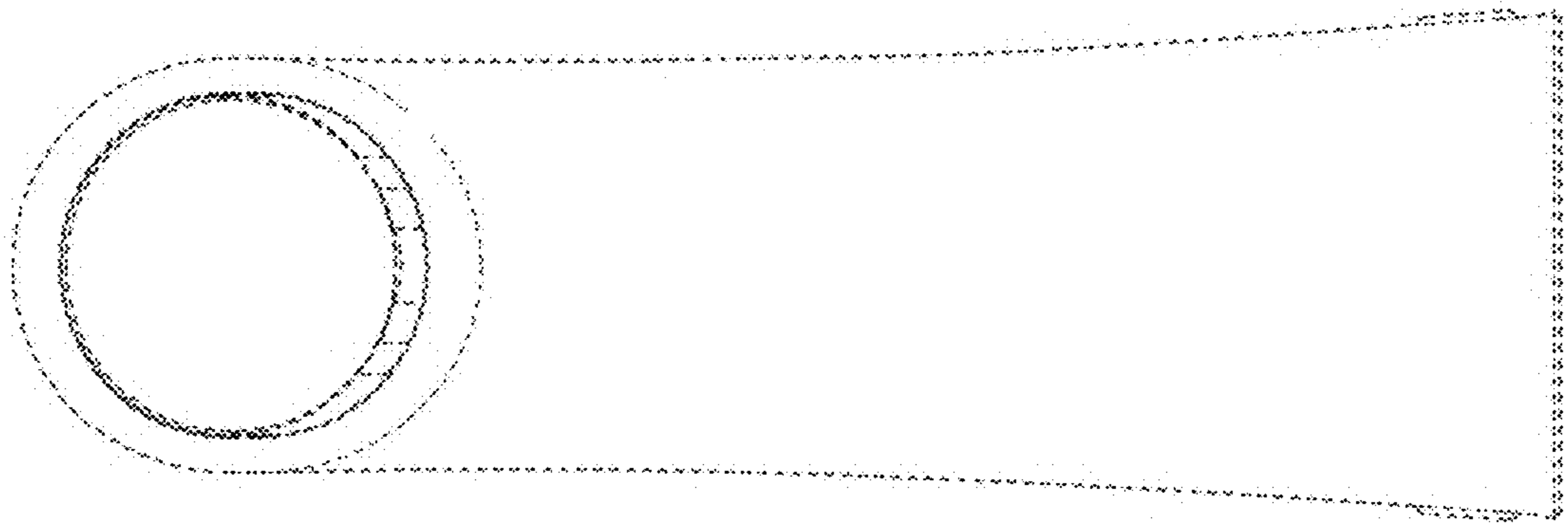
1.2



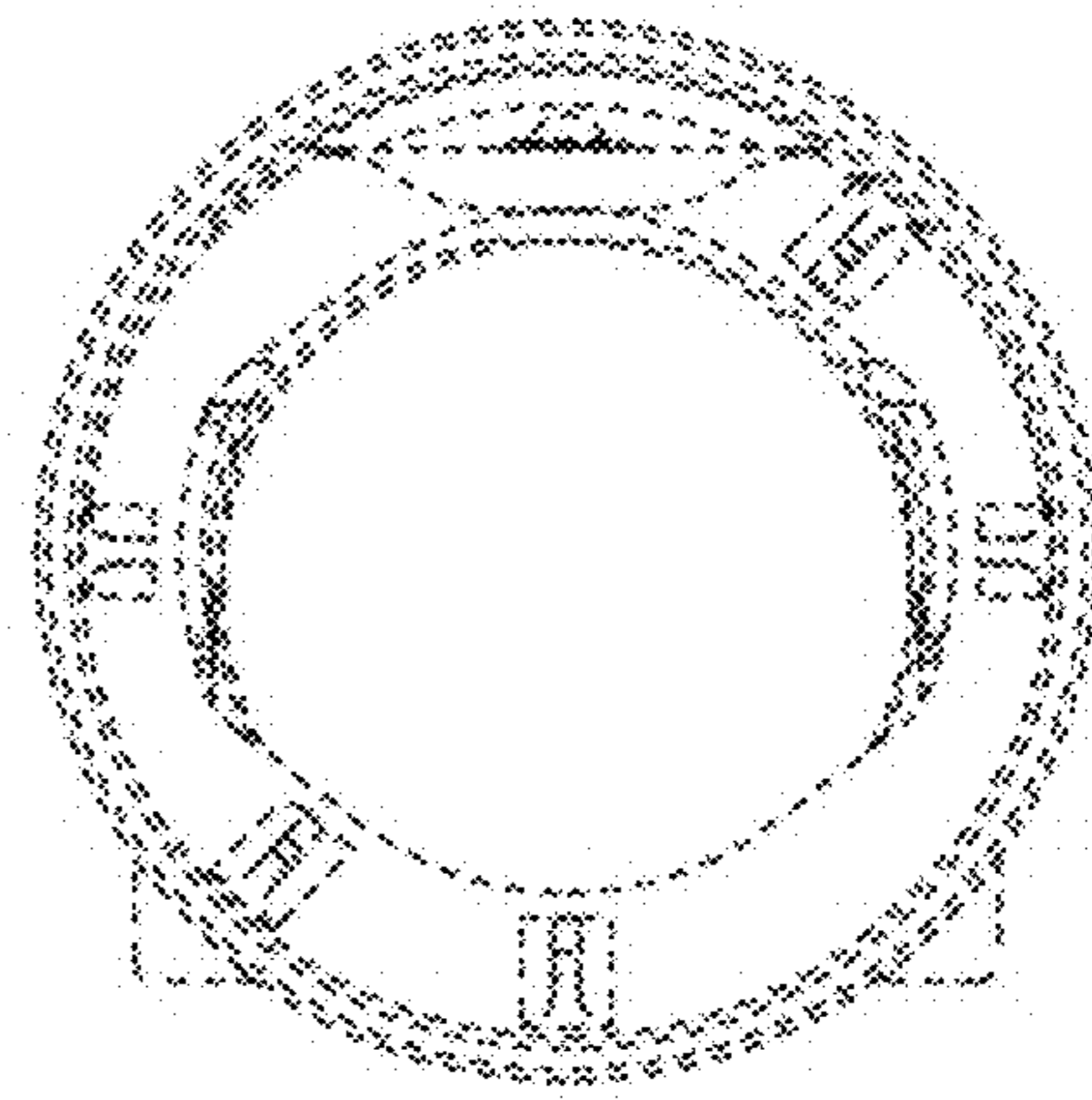
1.3



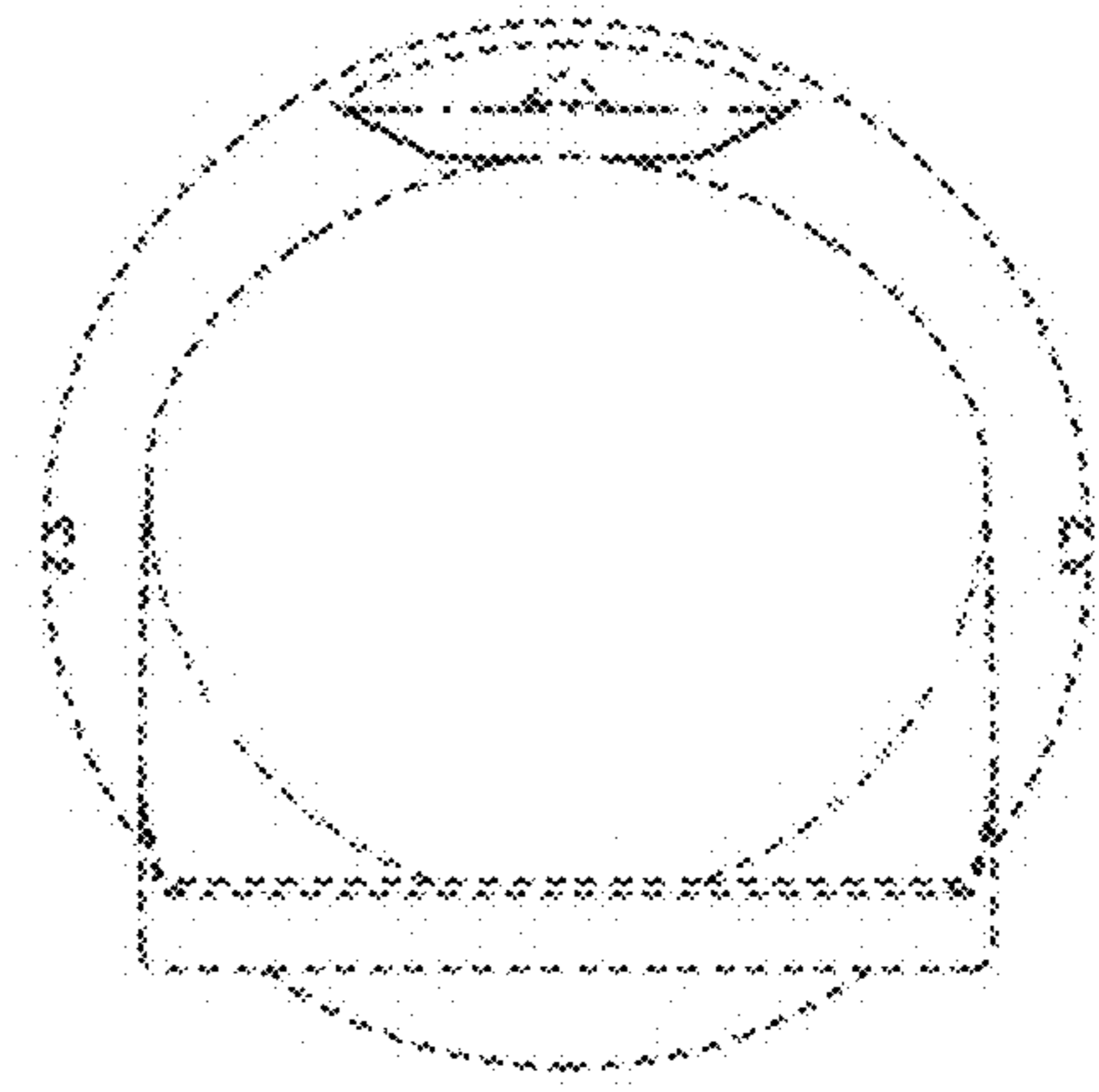
1.4



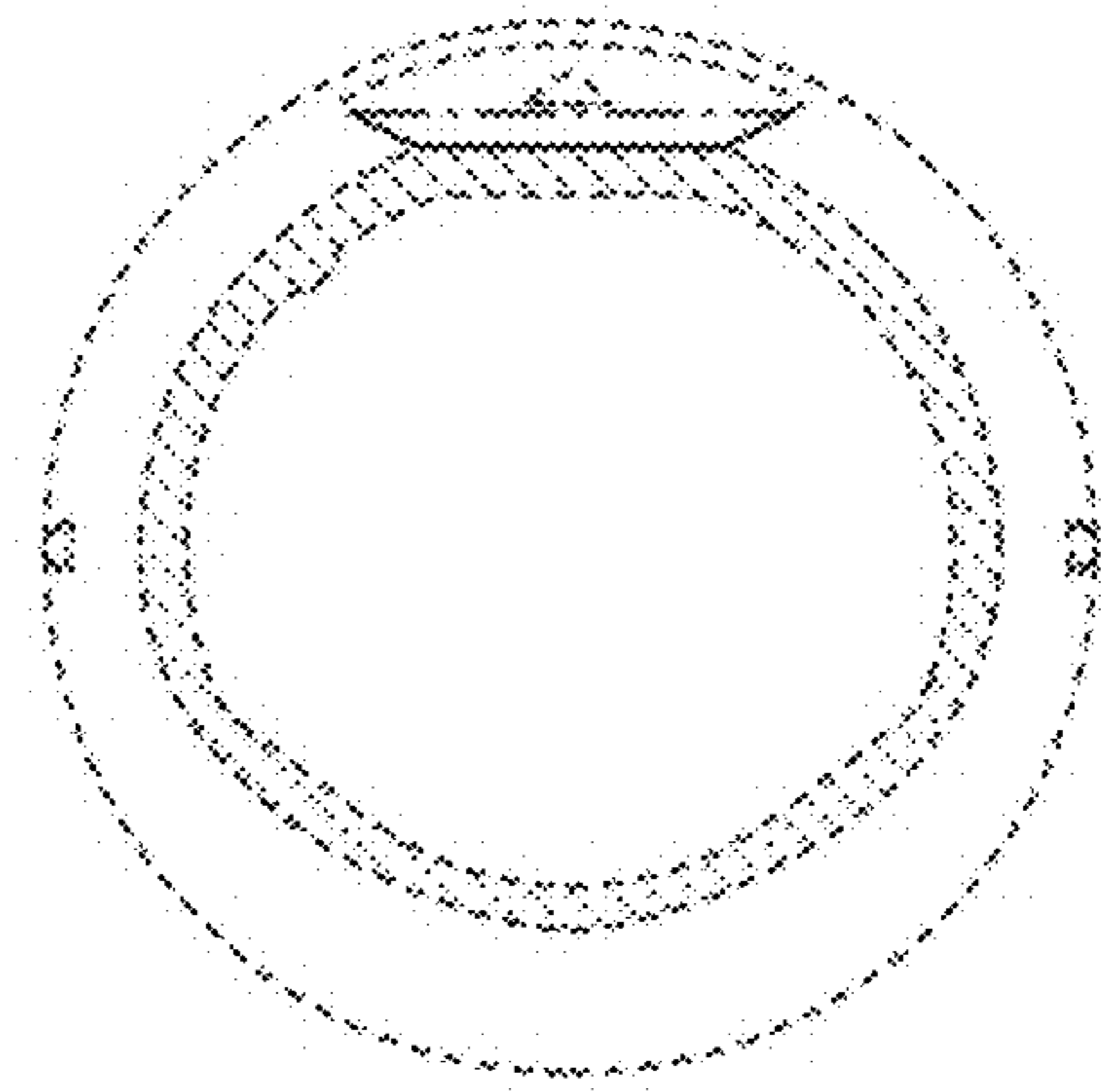
1.5



1.6



1.7



1.8

