



US00D989307S

(12) **United States Design Patent**
Garthaffner et al.

(10) **Patent No.:** **US D989,307 S**
(45) **Date of Patent:** **** Jun. 13, 2023**

(54) **PLUNGER FOR A FEMININE HYGIENE PRODUCT**

(71) Applicant: **Edgewell Personal Care Brands, LLC**, Chesterfield, MO (US)

(72) Inventors: **Joseph Garthaffner**, Chesterfield, VA (US); **Christopher O'Kelly**, Henrico, VA (US); **John Selden**, Chester, VA (US)

(73) Assignee: **EDGEWELL PERSONAL CARE BRANDS, LLC**, Chesterfield, MO (US)

(**) Term: **15 Years**

(21) Appl. No.: **29/775,372**

(22) Filed: **Mar. 23, 2021**

(51) **LOC (14) Cl.** **24-02**

(52) **U.S. Cl.**
USPC **D24/141**

(58) **Field of Classification Search**
USPC D24/105, 107, 108, 114, 115, 130, 133, D24/135, 141, 224; D11/130
CPC A61M 31/00; A61M 31/007; A61M 2210/1475; A61M 35/003; A61F 13/26; A61F 13/34; A61F 13/266; A61F 13/263; A61F 13/28
See application file for complete search history.

(56) **References Cited**

U.S. PATENT DOCUMENTS

- 2,587,717 A * 3/1952 Fourness A61F 13/26 206/229
- 3,101,713 A * 8/1963 Sargent A61F 13/263 604/16
- 3,196,873 A * 7/1965 Bletzinger A61F 13/26 604/15
- D222,013 S * 9/1971 Thomas et al. D24/141
- D238,617 S * 1/1976 Richman D24/114

- D250,049 S * 10/1978 Hite, Jr. 604/14
- D250,663 S * 12/1978 Koch 604/206
- 4,496,341 A * 1/1985 Brucks A61M 31/007 604/15
- D277,788 S * 2/1985 Liston D24/224
- 4,557,720 A * 12/1985 Hemphill A61M 31/007 401/78

(Continued)

FOREIGN PATENT DOCUMENTS

- JP S57-200154 A 12/1982
- JP 1572575 S 3/2017

OTHER PUBLICATIONS

Unofficial translation of JP Notice of Allowance issued in connection with corresponding Japanese Application No. 2021-020463 dated Apr. 4, 2022.

Primary Examiner — Jonathan J Han
Assistant Examiner — Amanda J Berlinski

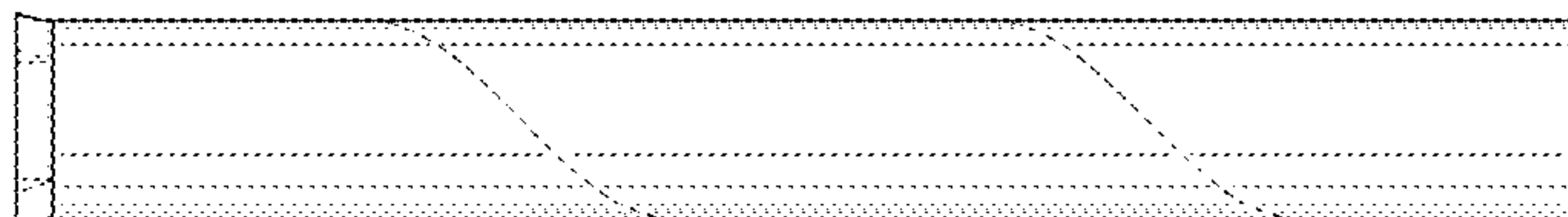
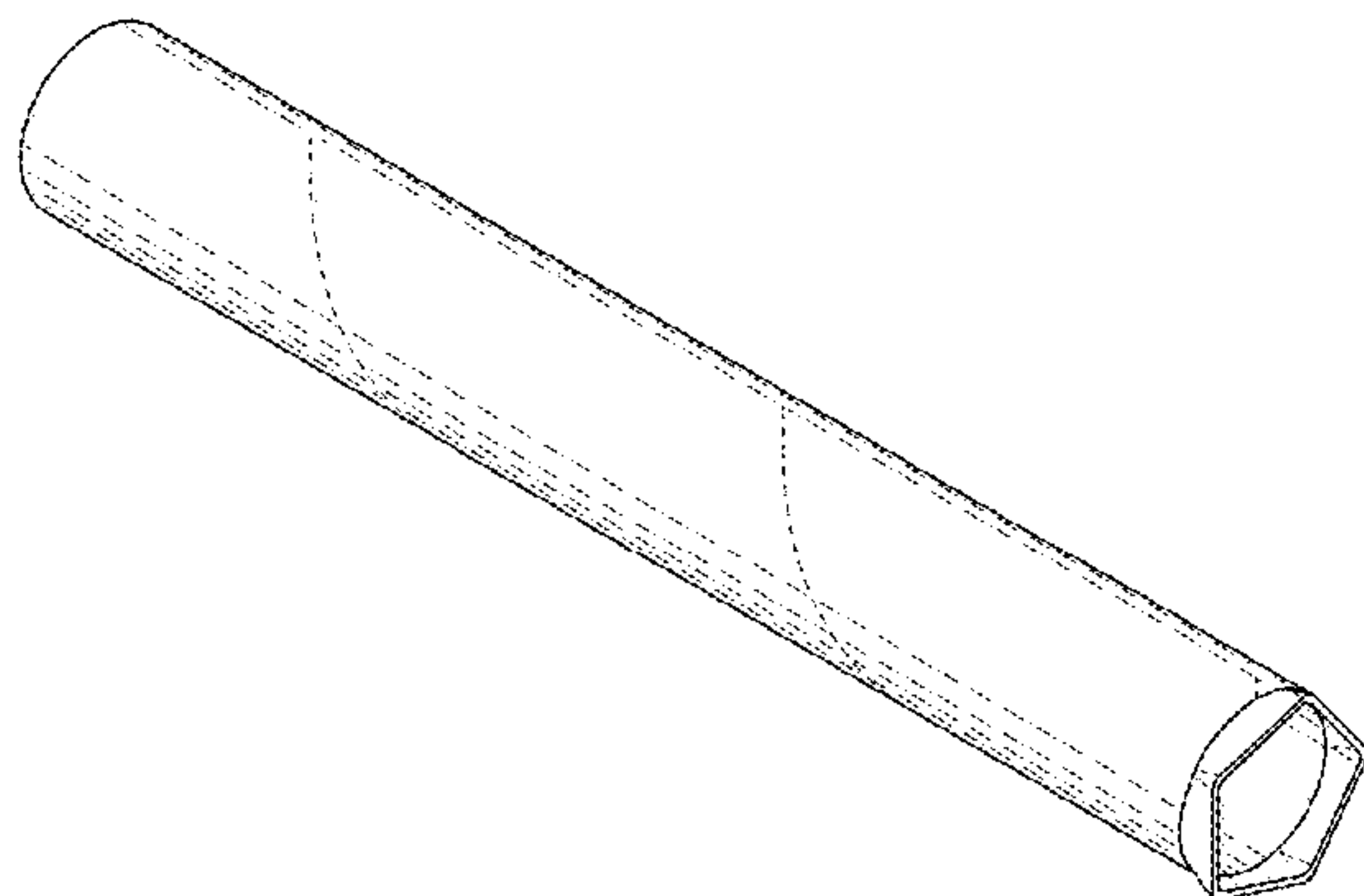
(57) **CLAIM**

We claim the ornamental design for a plunger for a feminine hygiene product, as shown and described.

DESCRIPTION

FIG. 1 is a front perspective view of the plunger for a feminine hygiene product, showing our new design; FIG. 2 is a rear perspective view thereof; FIG. 3 is a left side elevation view thereof; FIG. 4 is a right side elevation view thereof; FIG. 5 is a front elevation view thereof; FIG. 6 is a rear elevation view thereof; FIG. 7 is a top elevation view thereof; and, FIG. 8 is a bottom elevation view thereof. The broken lines depict portions of the plunger for a feminine hygiene product that form no part of the claimed design.

1 Claim, 4 Drawing Sheets



(56)

References Cited

U.S. PATENT DOCUMENTS

4,626,238 A * 12/1986 Sustmann A61F 13/263
604/15
4,676,773 A * 6/1987 Sheldon A61F 13/263
604/11
D298,653 S * 11/1988 Maietta D24/114
5,041,080 A * 8/1991 Shimatani A61F 13/263
604/11
D323,887 S * 2/1992 Picha D24/107
5,161,681 A * 11/1992 Kemp A61M 5/3205
206/364
D333,347 S * 2/1993 Kemp D24/224
D353,194 S * 12/1994 Walton D24/130
5,509,903 A * 4/1996 Grendahl A61M 5/178
D24/114
D379,854 S * 6/1997 Hirsch D24/112
D402,753 S * 12/1998 White D24/108
D404,830 S * 1/1999 Childs D24/224
D408,621 S * 4/1999 Kuo D3/10
D461,905 S * 8/2002 Wei D24/224
D515,210 S * 2/2006 Tarumi D24/114
D546,447 S * 7/2007 White D24/146
D570,476 S * 6/2008 Sudo D24/130
D575,870 S * 8/2008 Sudo D24/130
D581,047 S * 11/2008 Koshidaka D24/130

D599,015 S * 8/2009 Petersen D24/142
D602,153 S * 10/2009 Osterberg D24/105
D603,041 S * 10/2009 Garg D24/105
D619,728 S * 7/2010 Bare D24/224
D696,153 S * 12/2013 Chen D11/130
D717,950 S * 11/2014 Agrawal D24/141
D719,653 S * 12/2014 Agrawal D24/141
D744,742 S * 12/2015 You D3/10
D763,438 S * 8/2016 Gouret D24/112
D787,673 S * 5/2017 Buell D24/141
D817,490 S * 5/2018 Buell D24/141
D819,206 S * 5/2018 Buell D24/141
D901,684 S * 11/2020 Angert D24/141
D919,083 S * 5/2021 Lee D24/141
D940,080 S * 1/2022 Ganske D13/154
11,241,709 B1 * 2/2022 May A61J 1/065
D965,146 S * 9/2022 Chazel A61J 1/065
D24/141
2002/0026140 A1 * 2/2002 McNamara A61F 13/26
604/385.18
2011/0282304 A1 * 11/2011 Fontana A61M 31/00
604/279
2020/0038026 A1 * 2/2020 Ritchart A61B 17/11
2020/0038042 A1 * 2/2020 Al-Shraideh A61B 18/24
2021/0378881 A1 * 12/2021 Restrepo Restrepo
A61F 13/266
2022/0023106 A1 * 1/2022 Lund A61F 13/26

* cited by examiner

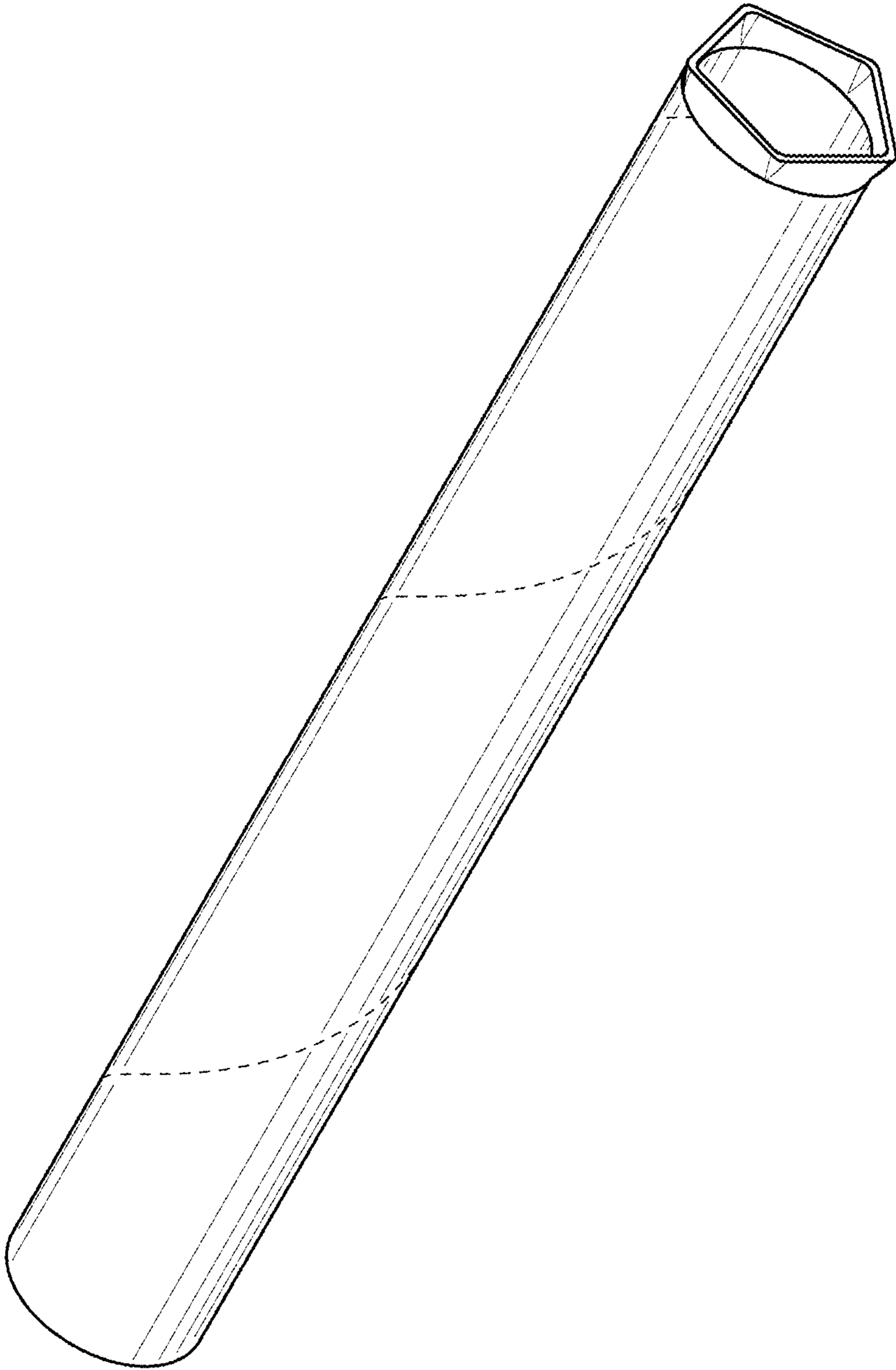


FIG. 1

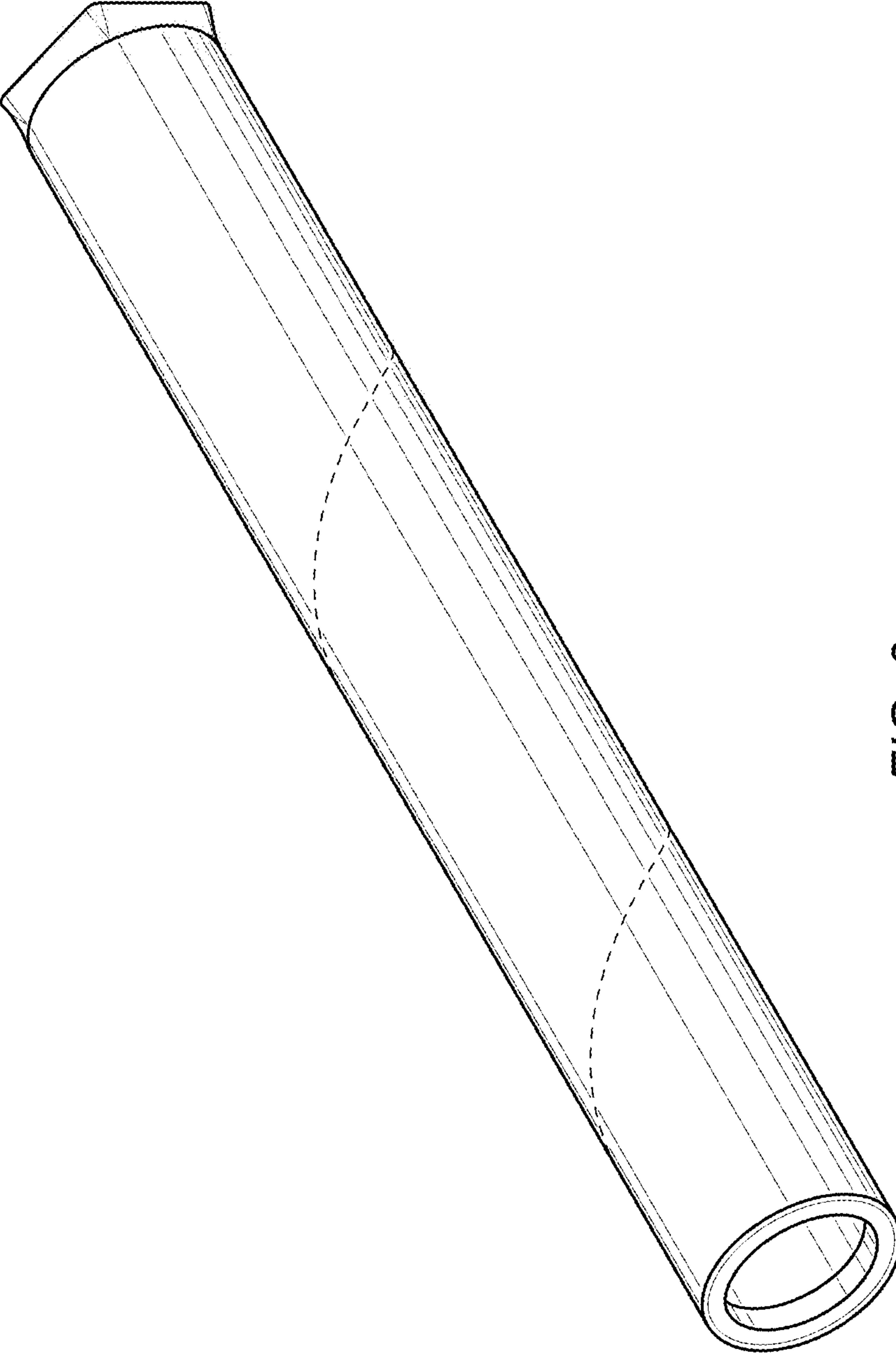


FIG. 2

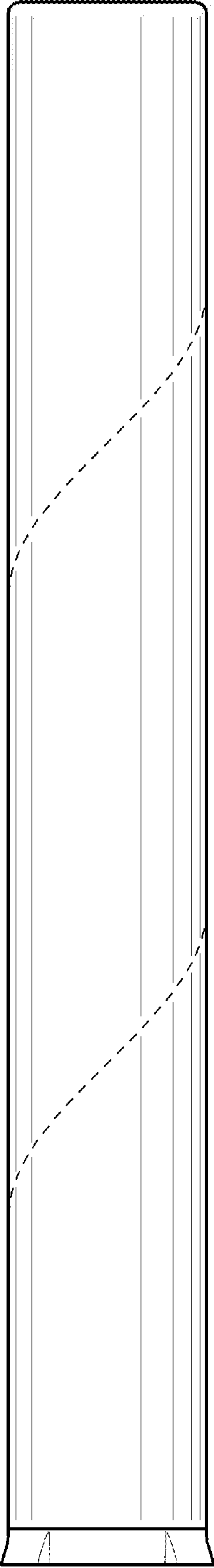


FIG. 3

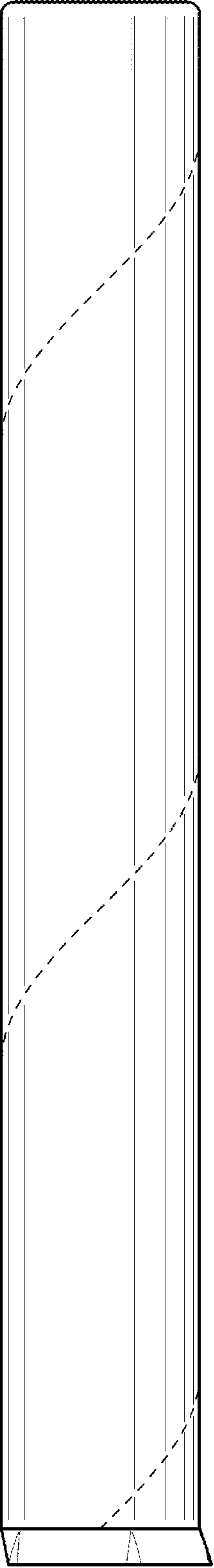


FIG. 4

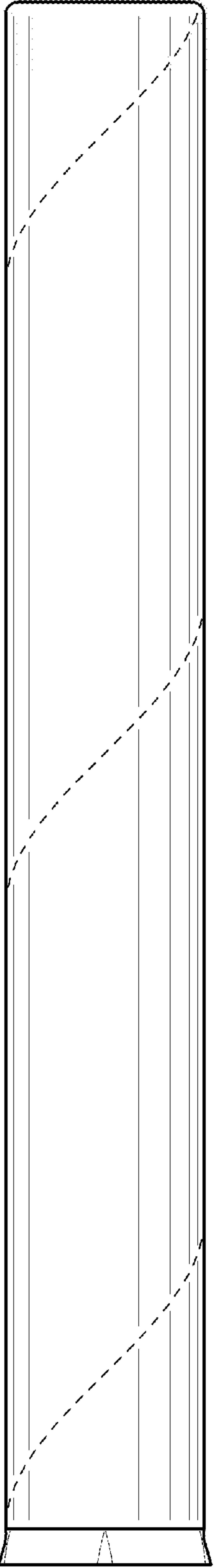


FIG. 5

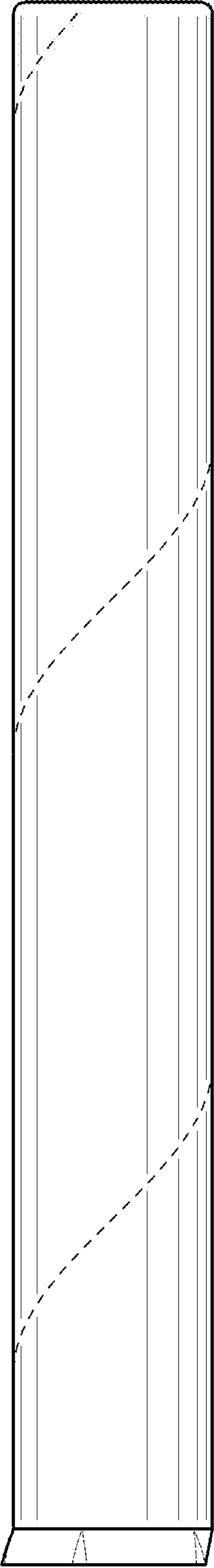


FIG. 6

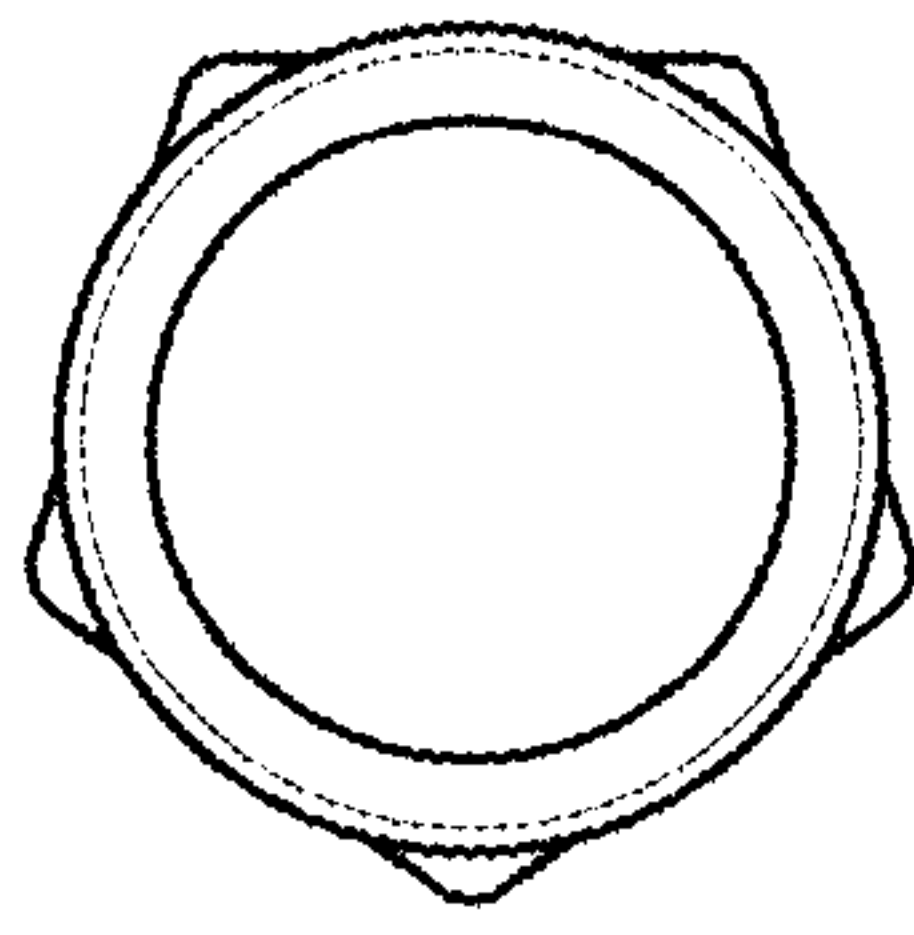


FIG. 8

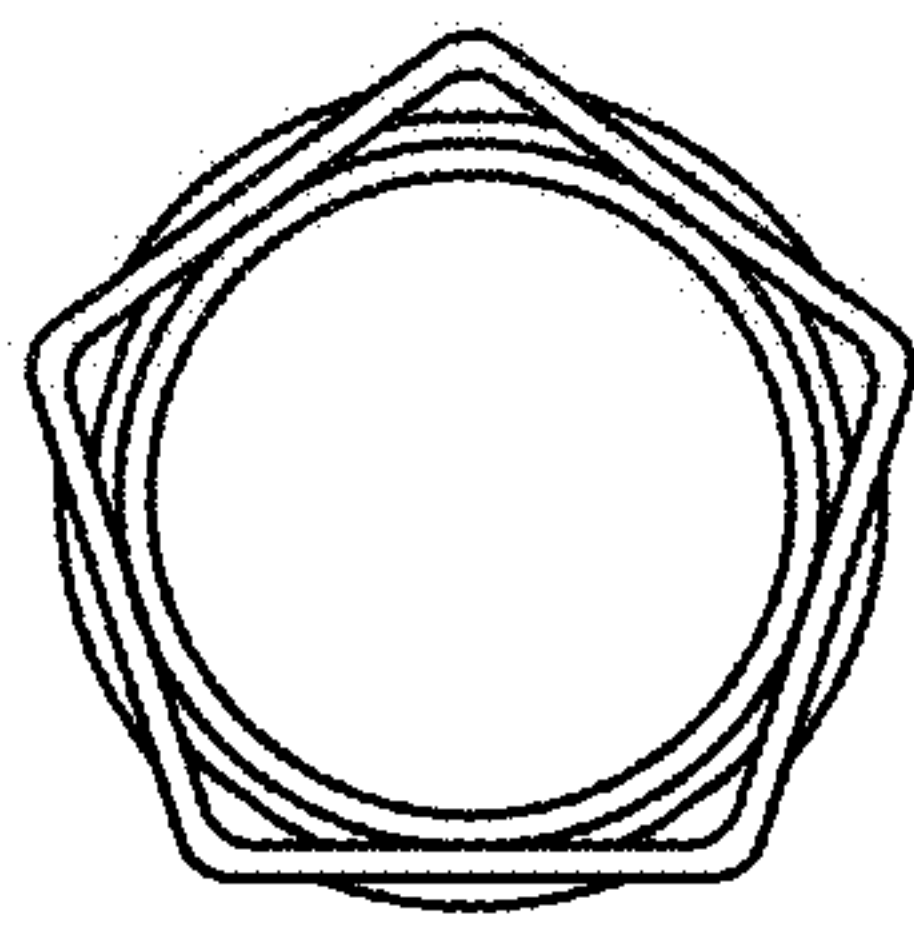


FIG. 7