



US00D989303S

(12) **United States Design Patent**
VanDerWoude et al.

(10) **Patent No.: US D989,303 S**
(45) **Date of Patent: ** Jun. 13, 2023**

(54) **PHARMACEUTICAL WASTE DISPOSAL ASSEMBLY**

(71) Applicant: **Stryker Corporation**, Kalamazoo, MI (US)

(72) Inventors: **Brian James VanDerWoude**, Portage, MI (US); **Bryan Matthew Ulmer**, Grand Rapids, MI (US); **Dennis Meyer**, Augusta, MI (US); **Lucas Wade**, Austin, TX (US); **Stephen Myers**, Austin, TX (US); **Logan Castillo**, Georgetown, TX (US); **Heather Benoit**, Austin, TX (US)

(73) Assignee: **Stryker Corporation**, Kalamazoo, MI (US)

(**) Term: **15 Years**

(21) Appl. No.: **29/716,841**

(22) Filed: **Dec. 12, 2019**

(51) **LOC (14) Cl.** **24-02**

(52) **U.S. Cl.**
USPC **D24/131**

(58) **Field of Classification Search**
USPC D24/127-131, 112-114, 133, 186, 118;
606/181, 185; 604/264, 523-528, 272,
(Continued)

(56) **References Cited**

U.S. PATENT DOCUMENTS

4,520,926 A 6/1985 Nelson
4,903,832 A 2/1990 Stewart
(Continued)

FOREIGN PATENT DOCUMENTS

CA 2164727 A1 12/1994
CN 1071104 A 4/1993
(Continued)

OTHER PUBLICATIONS

International Search Report for Application No. PCT/US2018/040359 dated Nov. 13, 2018, 2012, 6 pages.
(Continued)

Primary Examiner — Nathan M Johnston
(74) *Attorney, Agent, or Firm* — Howard & Howard Attorneys PLLC

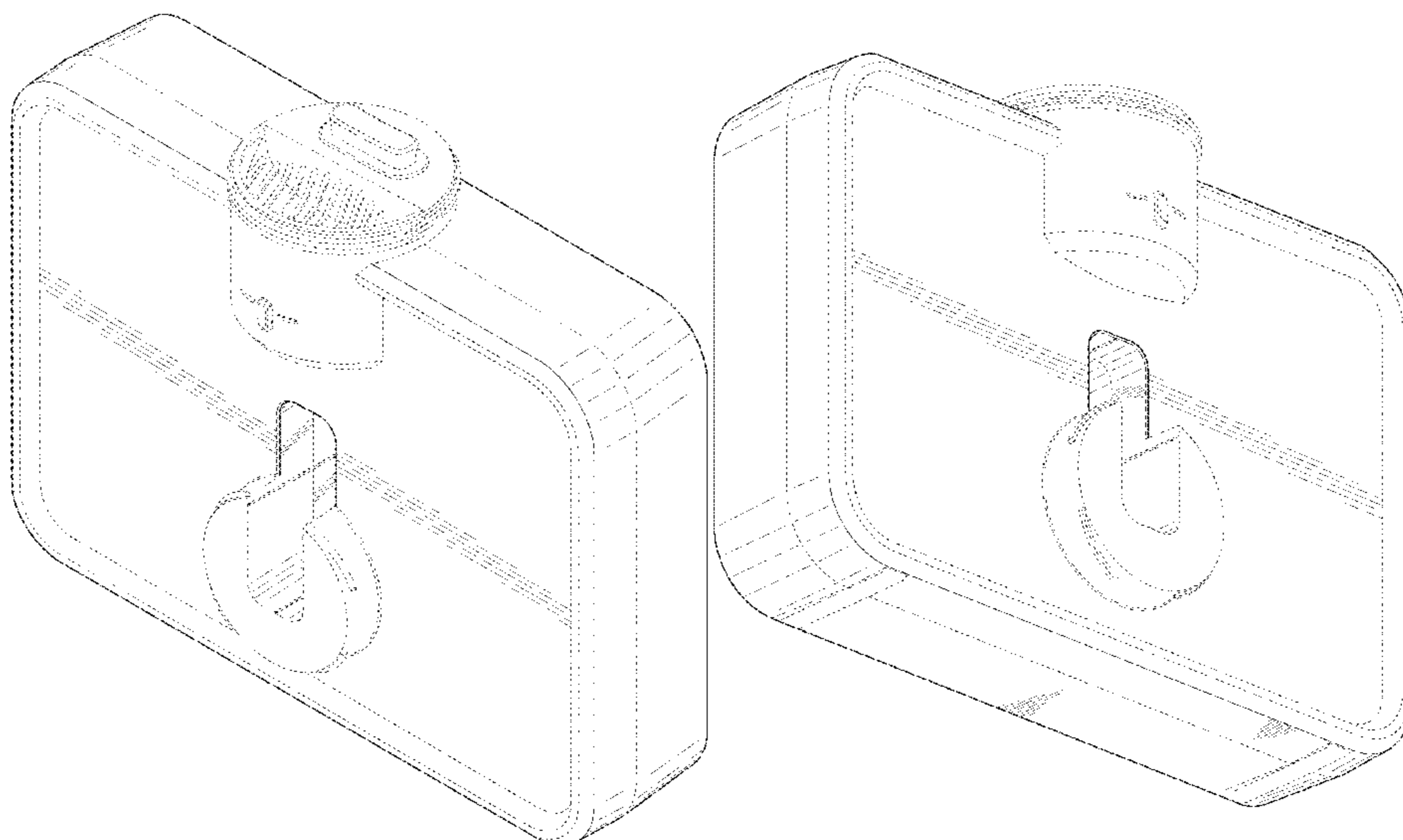
(57) **CLAIM**

The ornamental design for a pharmaceutical waste disposal assembly, as shown and described.

DESCRIPTION

FIG. 1 is a top, front, right side perspective view of a pharmaceutical waste disposal assembly;
FIG. 2 is a bottom, front, left side perspective view of the pharmaceutical waste disposal assembly of FIG. 1;
FIG. 3 is a top, rear, right side perspective view of the pharmaceutical waste disposal assembly of FIG. 1;
FIG. 4 is a top, front perspective view of the pharmaceutical waste disposal assembly of FIG. 1;
FIG. 5 is a front view of the pharmaceutical waste disposal assembly of FIG. 1;
FIG. 6 is a right side view of the pharmaceutical waste disposal assembly of FIG. 1;
FIG. 7 is a left side view of the pharmaceutical waste disposal assembly of FIG. 1;
FIG. 8 is a rear view of the pharmaceutical waste disposal assembly of FIG. 1;
FIG. 9 is a top view of the pharmaceutical waste disposal assembly of FIG. 1; and,
FIG. 10 is a bottom view of the pharmaceutical waste disposal assembly of FIG. 1.
The broken lines in the drawings depict portions of the pharmaceutical waste disposal assembly that form no part of the claimed design.

1 Claim, 8 Drawing Sheets



US D989,303 S

Page 2

(58) Field of Classification Search

USPC 604/187, 158, 164.01–164.11, 181, 184,
604/227
CPC A61M 1/0056; A61M 1/0023; A61M
1/0086; A61M 2205/125; A61M
2209/084; A61M 1/00; A61B 2217/005;
B09B 3/0075; B09B 3/80; B09B 3/00;
C02F 2103/343

See application file for complete search history.

(56) References Cited

U.S. PATENT DOCUMENTS

5,351,381 A 10/1994 Case
5,413,243 A 5/1995 Bemis et al.
5,429,315 A 7/1995 Wollert et al.
5,505,709 A * 4/1996 Funderburk A61M 5/1456
604/151
6,250,465 B1 6/2001 Daniels et al.
6,491,709 B2 * 12/2002 Sharma A61B 5/15117
604/164.06
D580,046 S * 11/2008 Pukall D24/111
D608,451 S * 1/2010 Hanoun D24/186
7,867,511 B2 1/2011 Anderson et al.
D654,164 S * 2/2012 Cole D24/108
8,348,056 B2 1/2013 Maness
8,450,389 B1 5/2013 Barefoot
8,535,711 B2 9/2013 Anderson et al.
D700,343 S * 2/2014 Liu D24/186
8,785,712 B2 7/2014 Deryck et al.
8,821,363 B1 9/2014 Barefoot
8,875,881 B2 11/2014 Smudde et al.
8,979,724 B2 3/2015 Fowler et al.
8,998,031 B2 4/2015 Goldstein et al.
9,044,377 B2 6/2015 Maness
9,403,197 B2 8/2016 Dallas et al.
D774,182 S * 12/2016 Davidian D24/121
D774,651 S * 12/2016 Kaib D24/186

9,585,719 B2 3/2017 Goldstein et al.
9,962,227 B2 5/2018 Slaateng
9,988,211 B1 6/2018 Just et al.
10,137,325 B2 11/2018 Sarangapani
D850,308 S * 6/2019 Yun D10/78
D882,761 S * 4/2020 Cabiri A61M 5/14248
D24/111
D902,413 S * 11/2020 Laurino D24/186
D961,073 S * 8/2022 Jamison D24/140
2013/0233748 A1 9/2013 Anderson et al.
2015/0217346 A1 8/2015 Fowler et al.
2015/0352389 A1 12/2015 Fowler et al.
2015/0352390 A1 12/2015 Anderson et al.
2016/0361456 A1 12/2016 Admani
2018/0071046 A1 3/2018 Foos et al.
2018/0185686 A1 7/2018 Anderson et al.
2018/0185687 A1 7/2018 Fowler et al.

FOREIGN PATENT DOCUMENTS

CN 204751174 U 11/2015
EP 2885013 A1 6/2015
FR 2760647 A1 9/1998
WO 8404068 A1 10/1984
WO 2014028307 A1 2/2014
WO 2014133398 A1 9/2014
WO 2019006346 A1 1/2019

OTHER PUBLICATIONS

Machine-assisted English translation for CN 1071104 extracted from espacenet.com database on Mar. 2, 2020, 14 pages.
English language abstract and machine-assisted English translation for CN 204751174 extracted from espacenet.com database on Mar. 2, 2020, 5 pages.
English language abstract and machine-assisted English translation for FR 2760647 extracted from espacenet.com database on Mar. 2, 2020, 8 pages.

* cited by examiner

FIG. 1

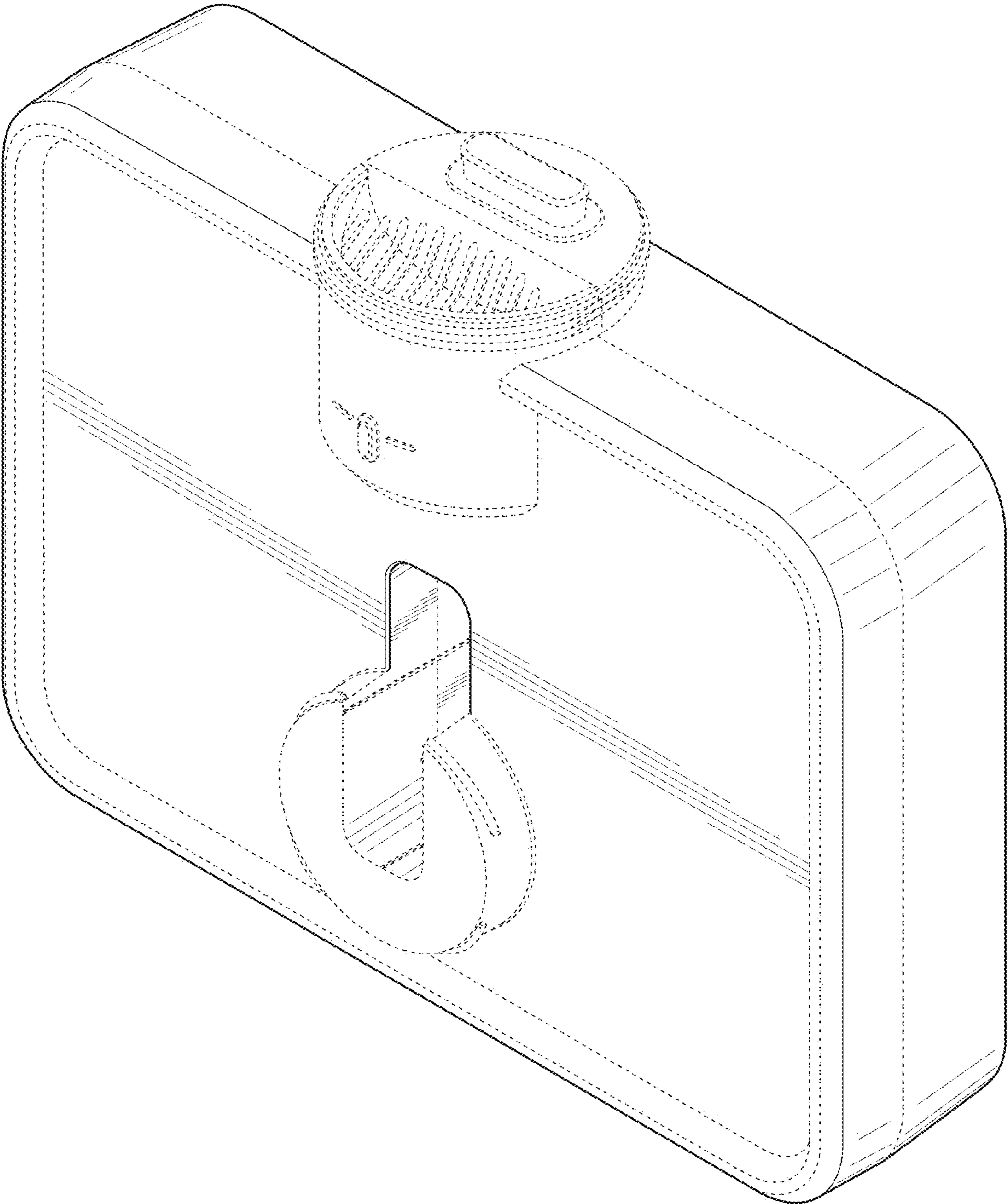


FIG. 2

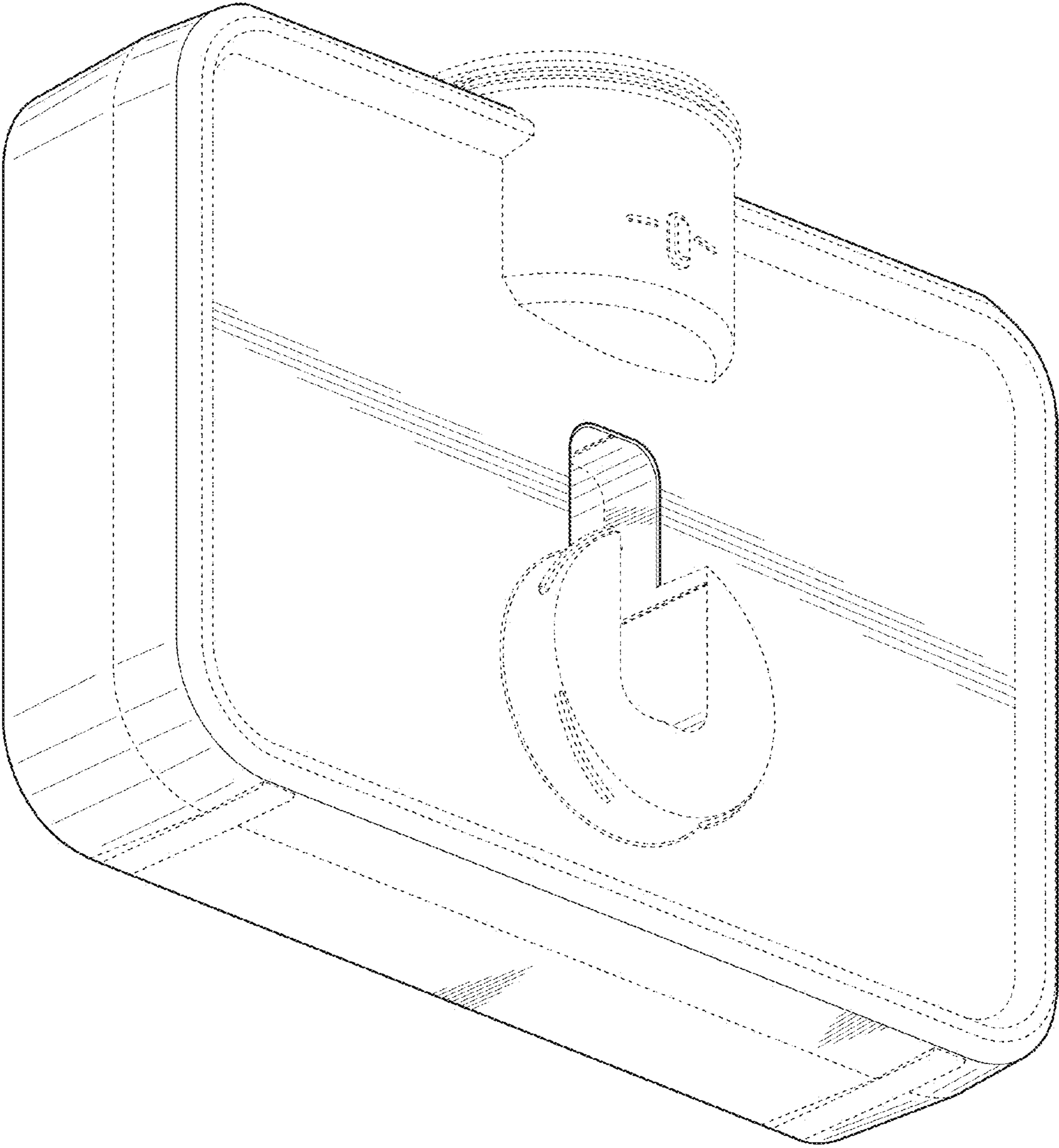
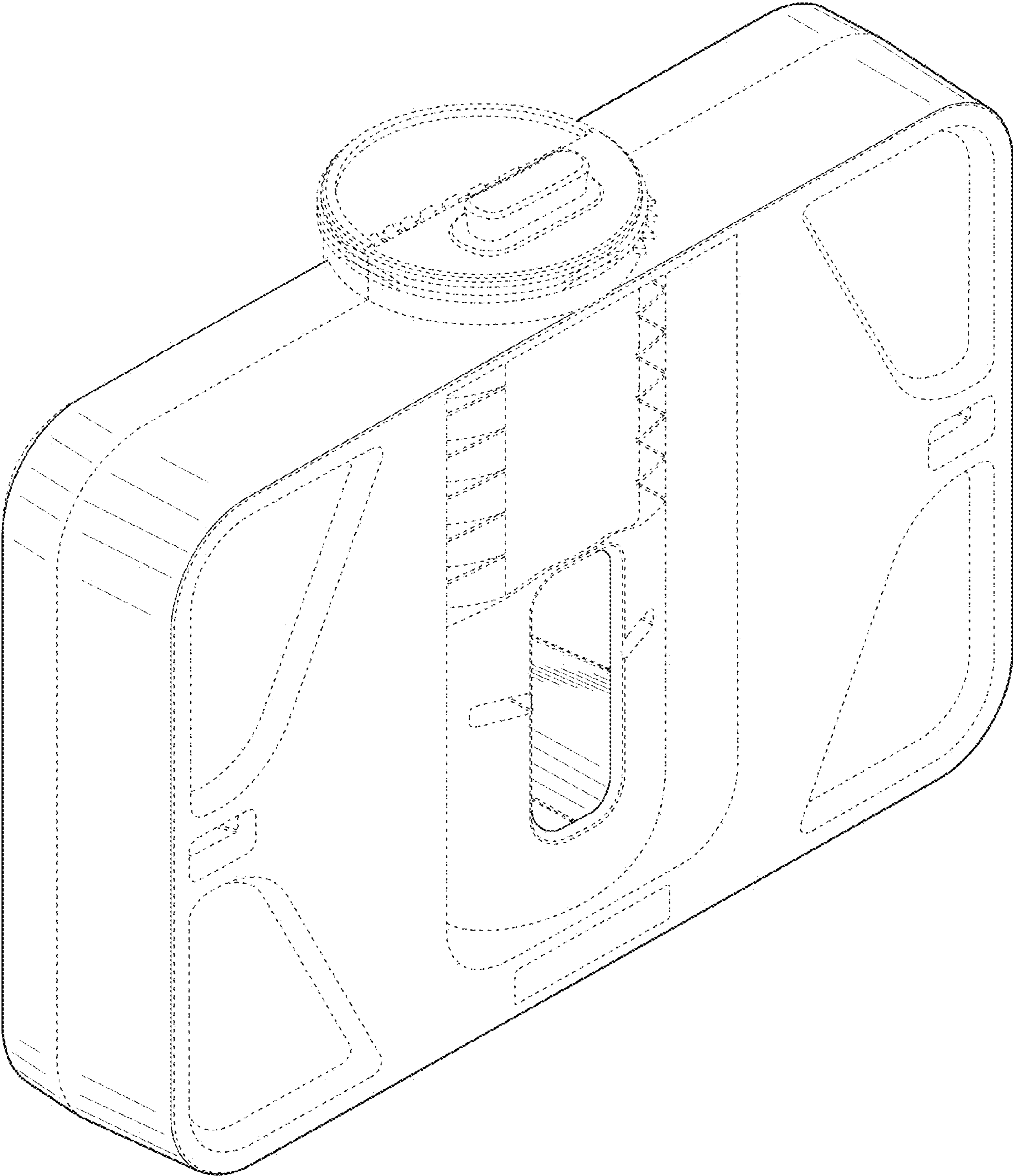


FIG. 3



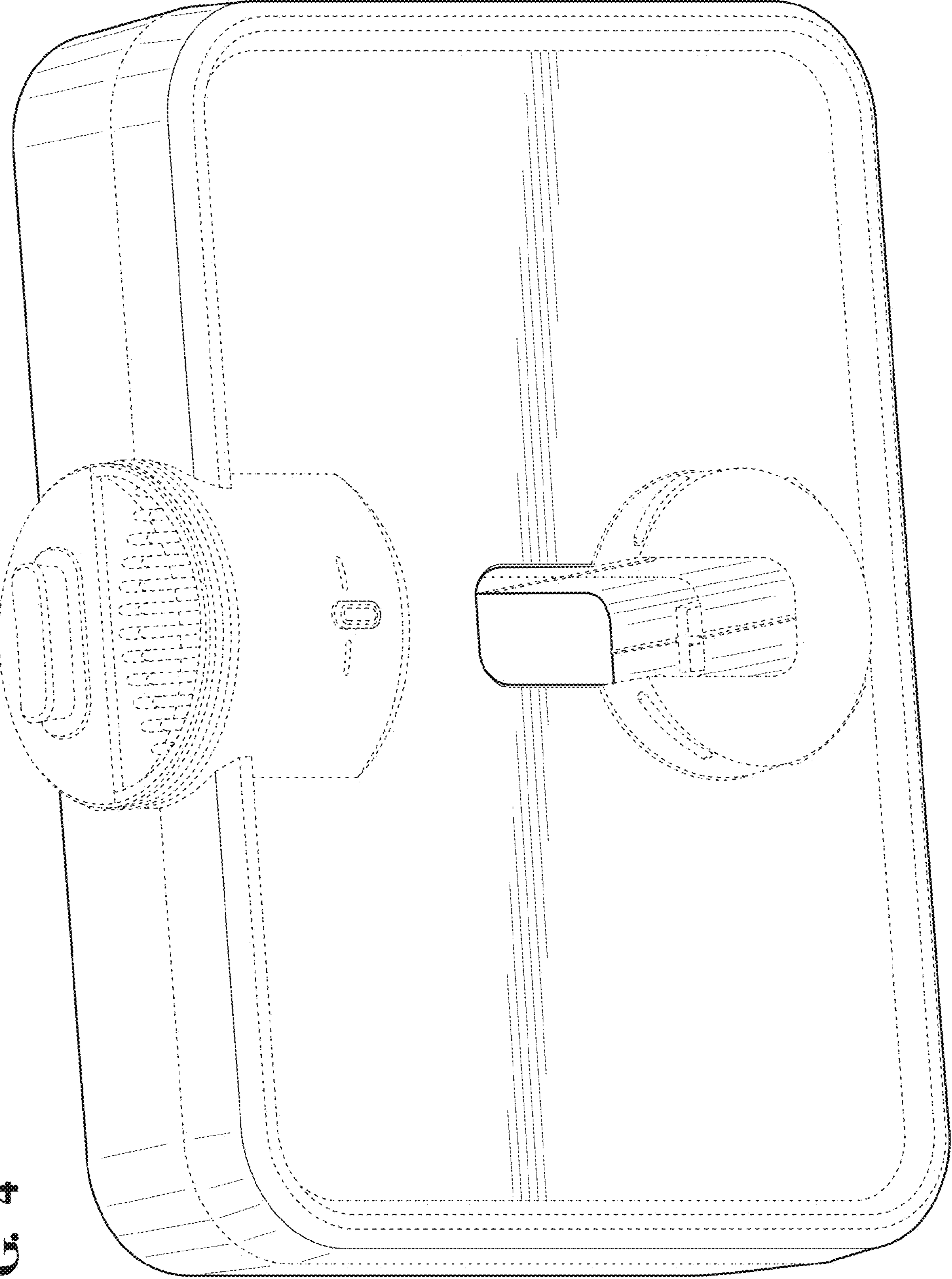


FIG. 4

FIG. 5

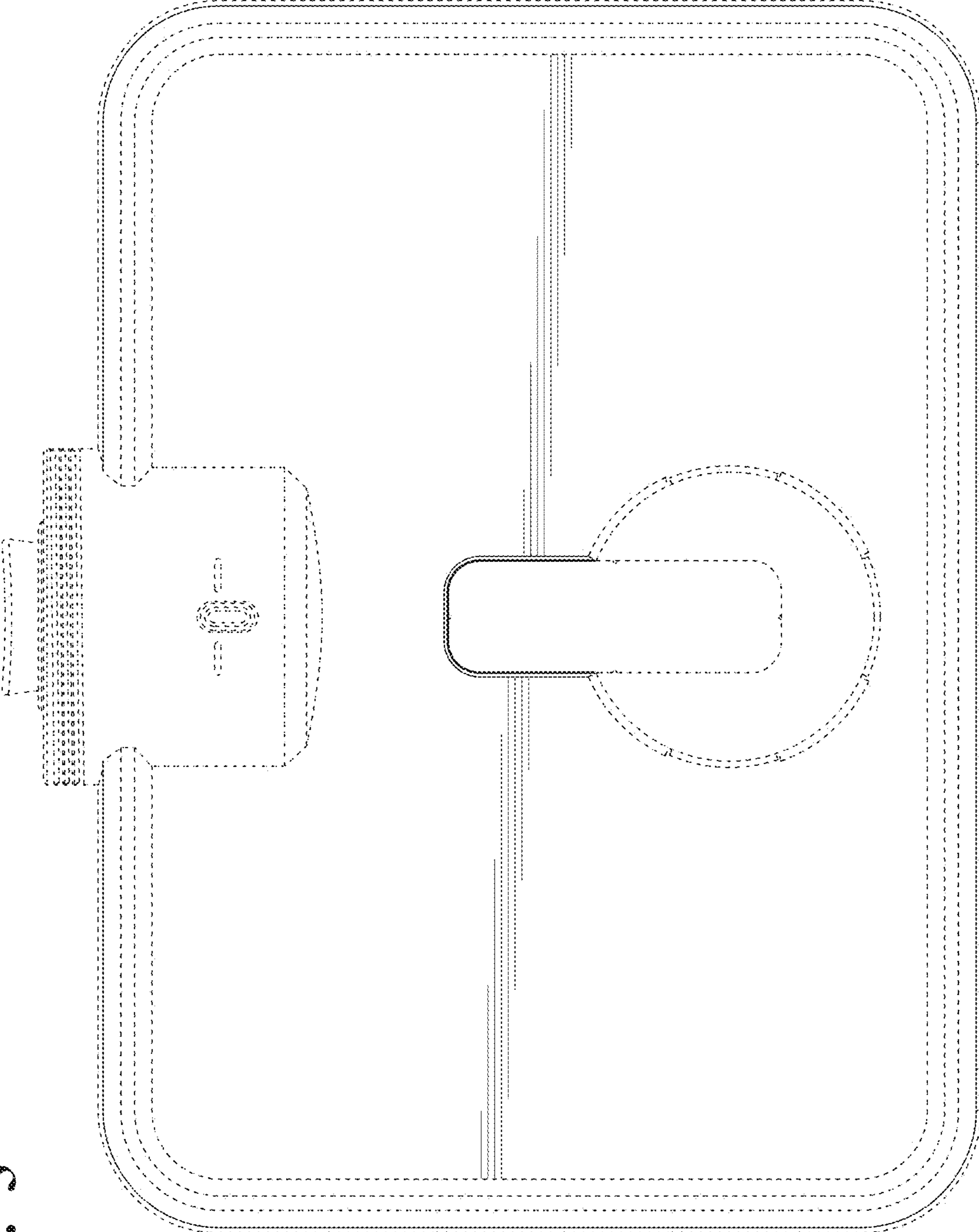


FIG. 7

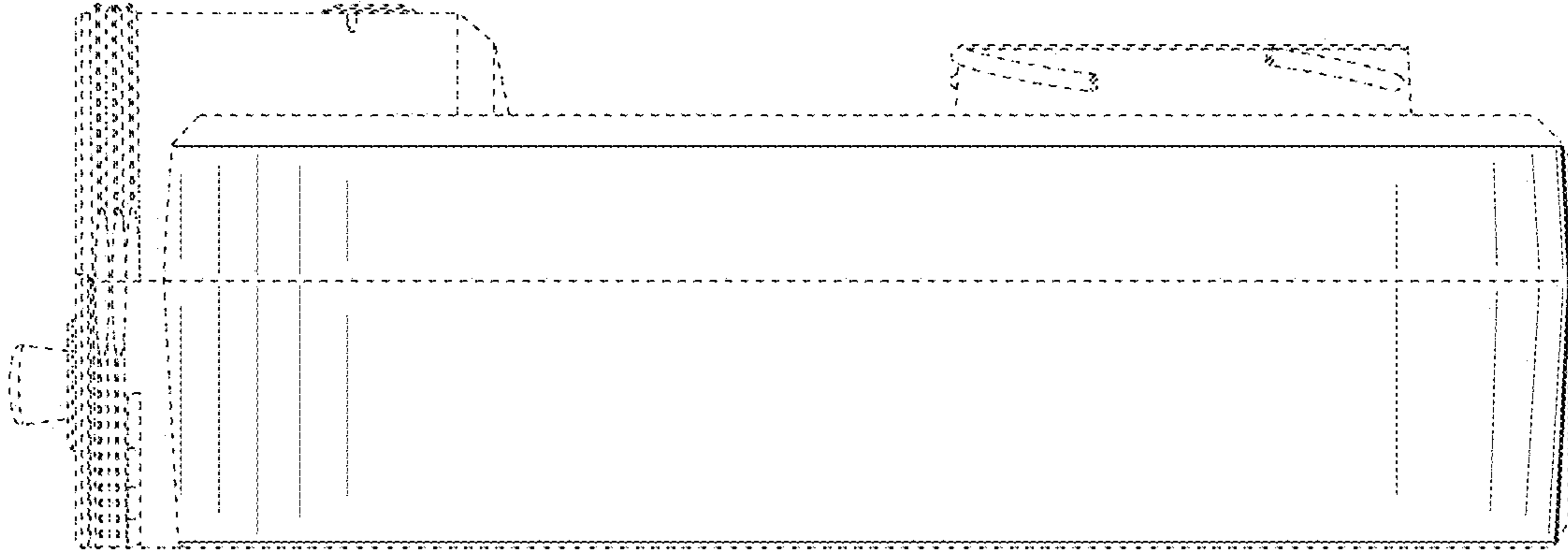
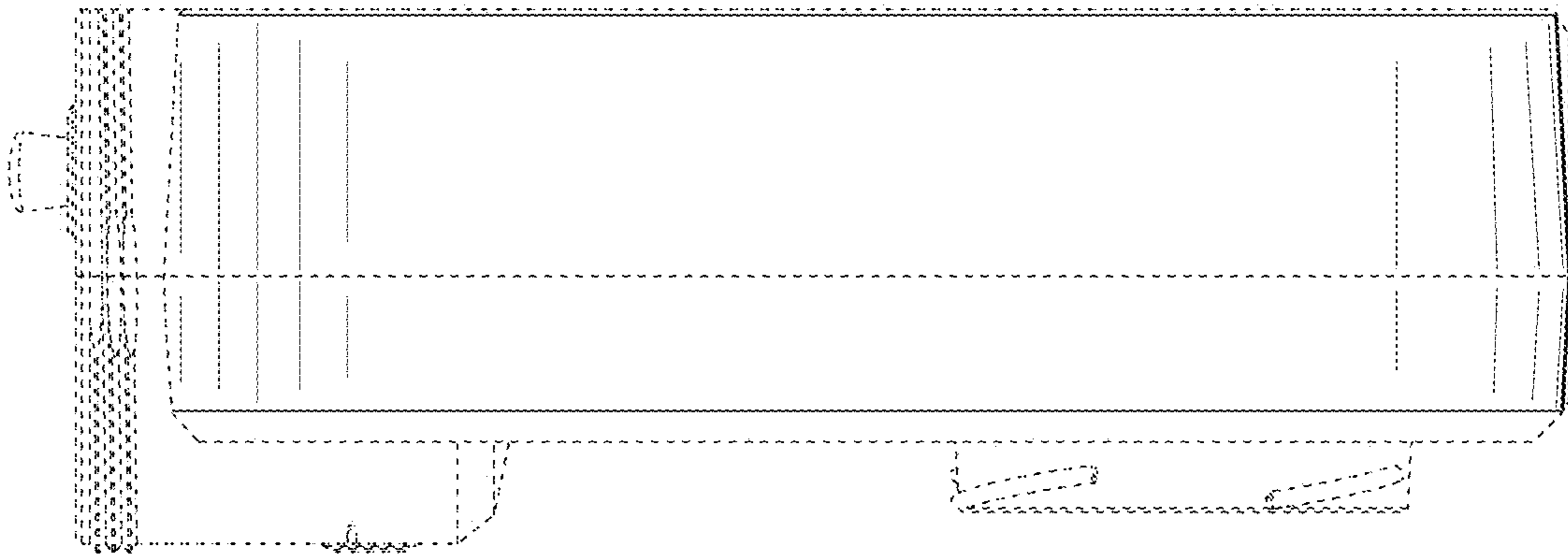


FIG. 6



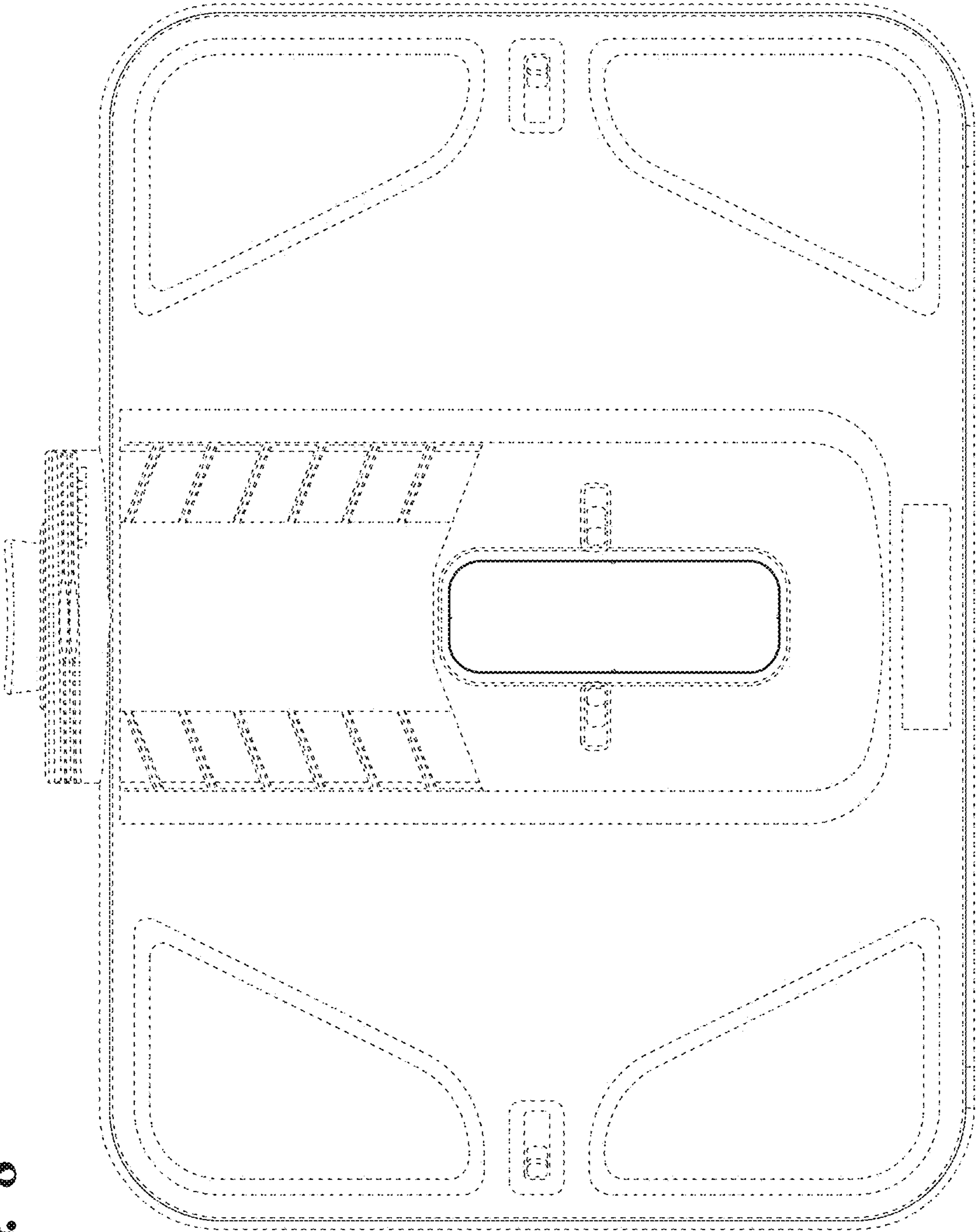


FIG. 8

FIG. 9

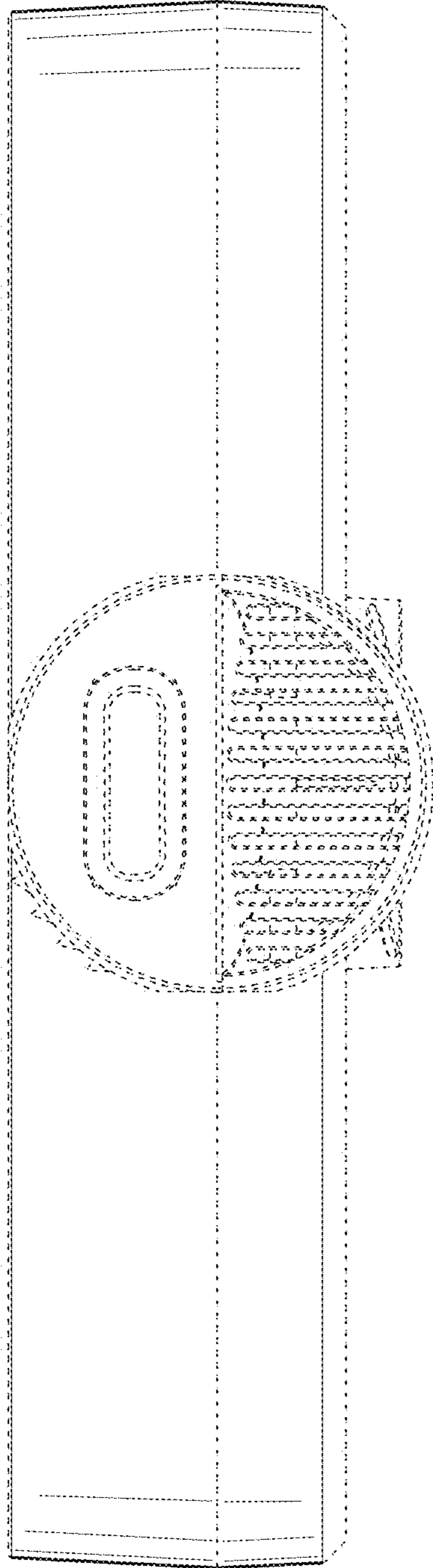


FIG. 10

