



US00D989301S

(12) **United States Design Patent** (10) **Patent No.:** **US D989,301 S**
Samproni et al. (45) **Date of Patent:** **** Jun. 13, 2023**

(54) **SYRINGE HOLDER**

FOREIGN PATENT DOCUMENTS

(71) Applicant: **Siemens Healthcare Diagnostics Inc.**,
Tarrytown, NY (US)

EM 008663777-0003 * 9/2021
KR 300792308.0000 * 4/2015

(72) Inventors: **Jennifer Samproni**, Braintree, MA
(US); **William Chura**, Newton, MA
(US)

OTHER PUBLICATIONS

(73) Assignee: **Siemens Healthcare Diagnostics Inc.**,
Tarrytown, NY (US)

Beaverstate Standard Syringe Holder, Beaverstate Dental Systems,
[Post date unknown], [Site seen Sep. 26, 2022], Seen at URL:<https://www.duraprohealth.com/shop/141-002-beaverstate-standard-syringe-holder-249474> (Year: 2022).*

(Continued)

(**) Term: **15 Years**

Primary Examiner — Natasha Vujcic
Assistant Examiner — Gilbert B Ford

(21) Appl. No.: **29/780,284**

(74) *Attorney, Agent, or Firm* — Dunlap Coddling, P.C.

(22) Filed: **Apr. 23, 2021**

(51) **LOC (14) Cl.** **24-02**

(52) **U.S. Cl.**
USPC **D24/130**

(57) **CLAIM**

(58) **Field of Classification Search**
USPC D24/112–114, 108, 130, 127, 129, 133,
D24/186, 232, 184, 146
CPC B04B 5/0421; B04B 5/0442; B04B
2005/0435; A61K 9/0019; A61K 35/19
See application file for complete search history.

We claim, the ornamental design for a syringe holder, as shown and described.

DESCRIPTION

(56) **References Cited**

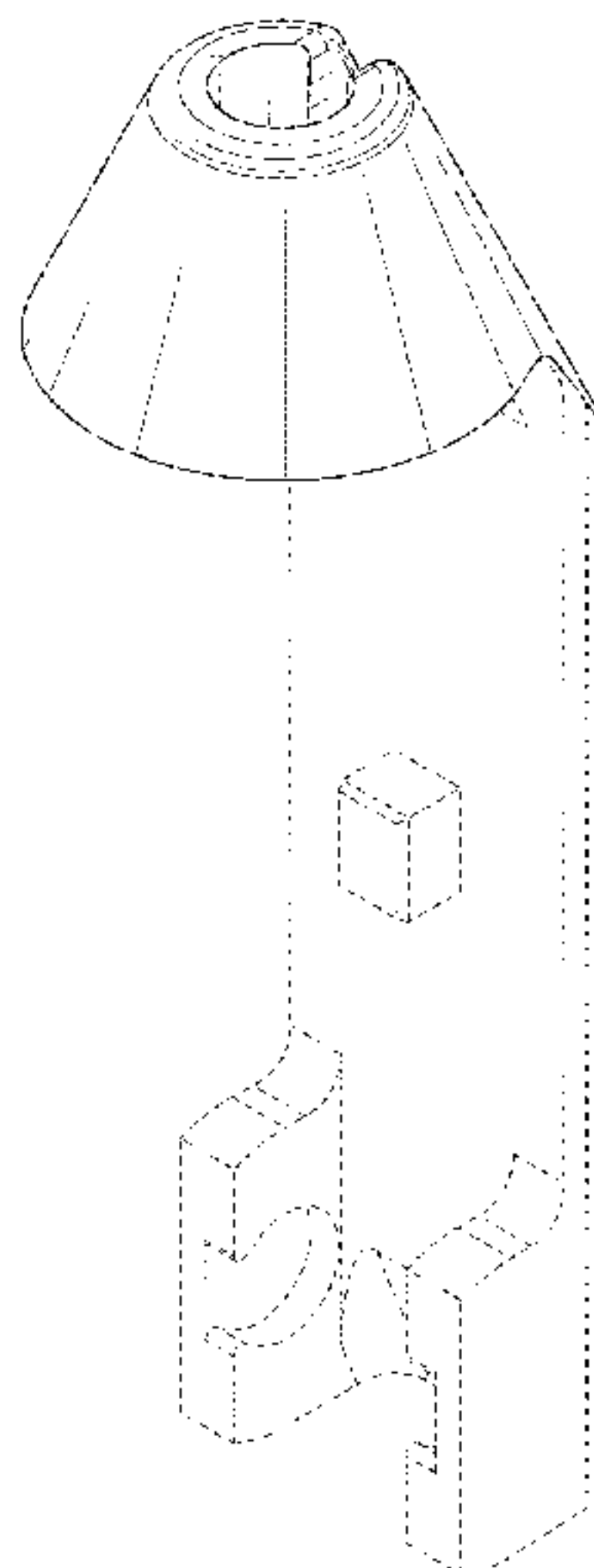
U.S. PATENT DOCUMENTS

D411,882 S *	7/1999	Minasian	D24/130
D702,835 S	4/2014	Vinchon		
D718,439 S	11/2014	Woehr et al.		
D755,374 S *	5/2016	Oberlaender	D24/133
D757,254 S	5/2016	Wohlfahrt et al.		
9,724,479 B2	8/2017	Sutkin et al.		
D816,836 S	5/2018	Mueller		
D849,247 S *	5/2019	Wild	D24/151
10,646,403 B2	5/2020	Lizari Illarramendi et al.		
D898,908 S	10/2020	Denzer et al.		
D908,204 S *	1/2021	Casiello	D24/108
D923,175 S *	6/2021	Wigstone	D24/130
D925,732 S *	7/2021	Toth	D24/129
D936,205 S *	11/2021	Casiello	D24/108
11,202,864 B2	12/2021	Stetzer		

(Continued)

FIG. 1 is a front elevational view of a syringe holder.
FIG. 2 is a rear elevational view thereof.
FIG. 3 is a top plan view thereof.
FIG. 4 is a bottom plan view thereof.
FIG. 5 is a right side elevational view thereof.
FIG. 6 is a left side elevational view thereof.
FIG. 7 is a perspective view thereof.
FIG. 8 is a right side elevational view of the syringe holder shown in a position of use; and,
FIG. 9 is a right side elevational view of the syringe holder shown in a position of use.
The broken lines depict portions of the syringe holder, the sampling arm, and the sample receiving assembly that form no part of the claimed design; the broken lines and the unshaded surfaces form no part of the claimed design.

1 Claim, 7 Drawing Sheets



(56)

References Cited

U.S. PATENT DOCUMENTS

D942,617 S * 2/2022 Smith D24/112
D952,839 S * 5/2022 Ho D24/128
11,446,208 B2 9/2022 Kato et al.

OTHER PUBLICATIONS

Dentsply Sirona—Jenker Needle Stick Protector, Dentsply Sirona, , [Postdate unknown], [Site seen Sep. 26, 2022], Seen at URL: <https://www.dentalcity.com/product/2729/dentsply-sirona-jenker-needle-stick-protector> (Year: 2022).*

The Buckwheat 2.0—60 ML Syringe, Buckwheat, feedingtubeholder.com/, [Post date: Sep. 26, 2020], [Site seen Oct. 18, 2022], Seen at URL: https://www.feedingtubeholder.com/products/60ml_2-0 (Year: 2020), pp. 1-5.

* cited by examiner

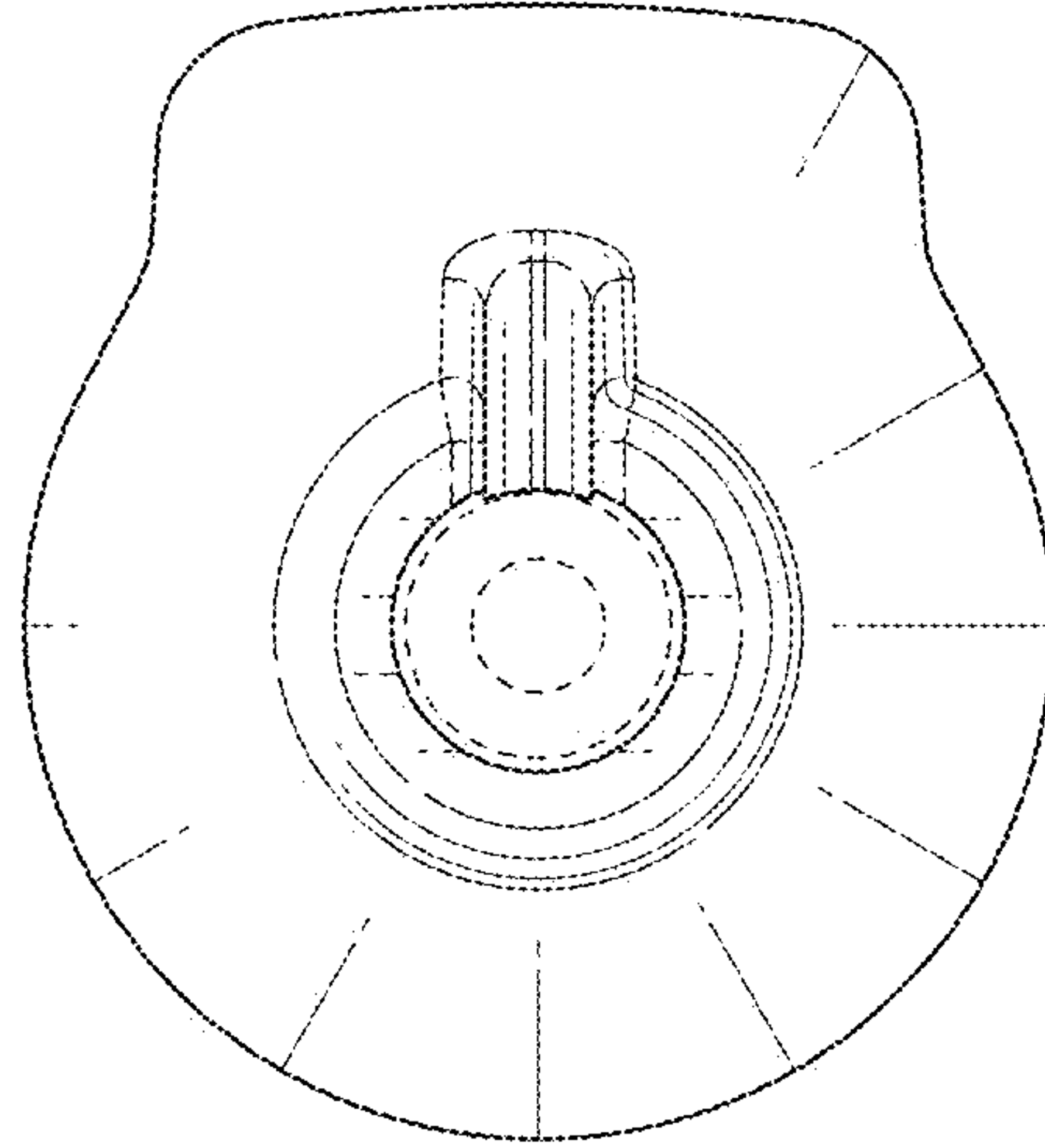


FIG. 1

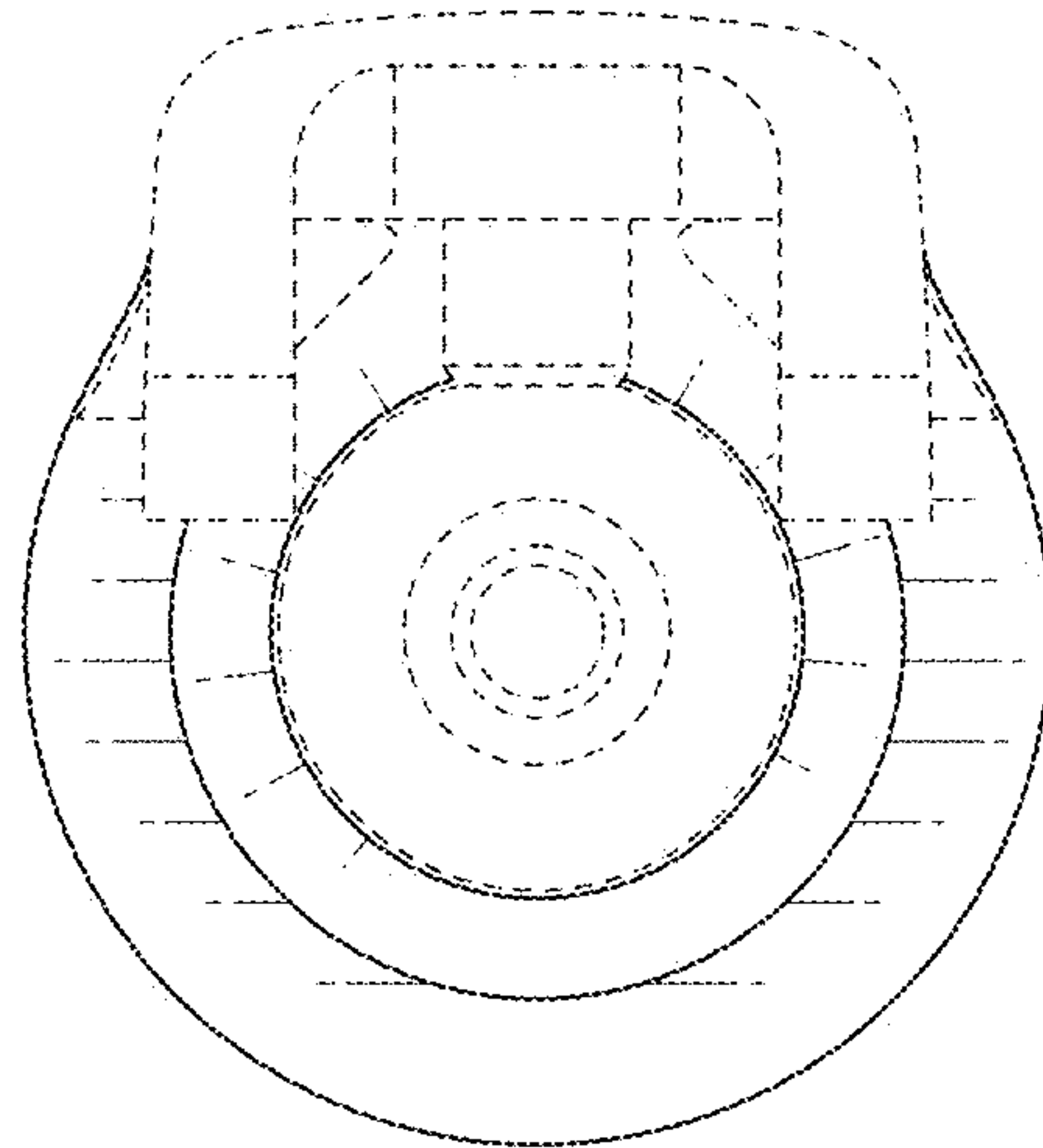


FIG. 2

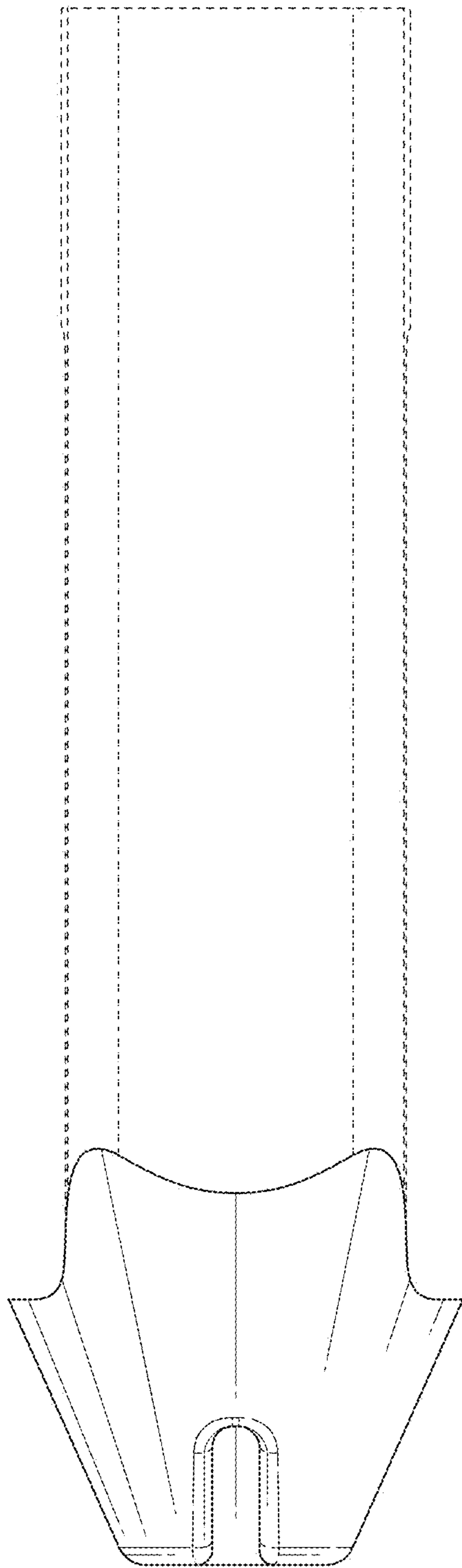


FIG. 3

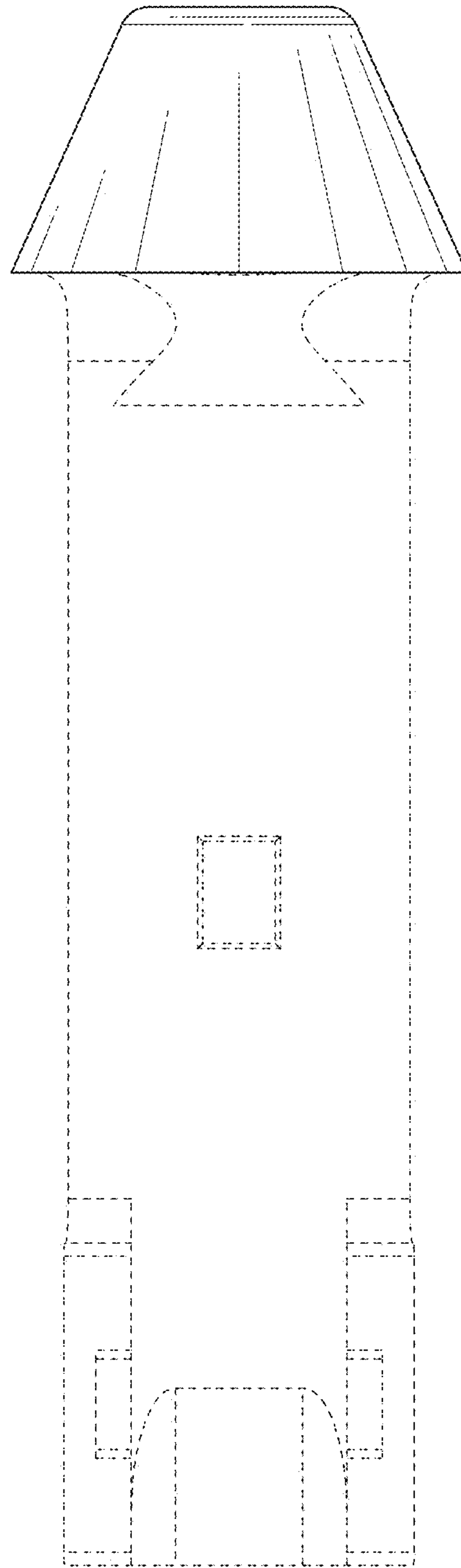


FIG. 4

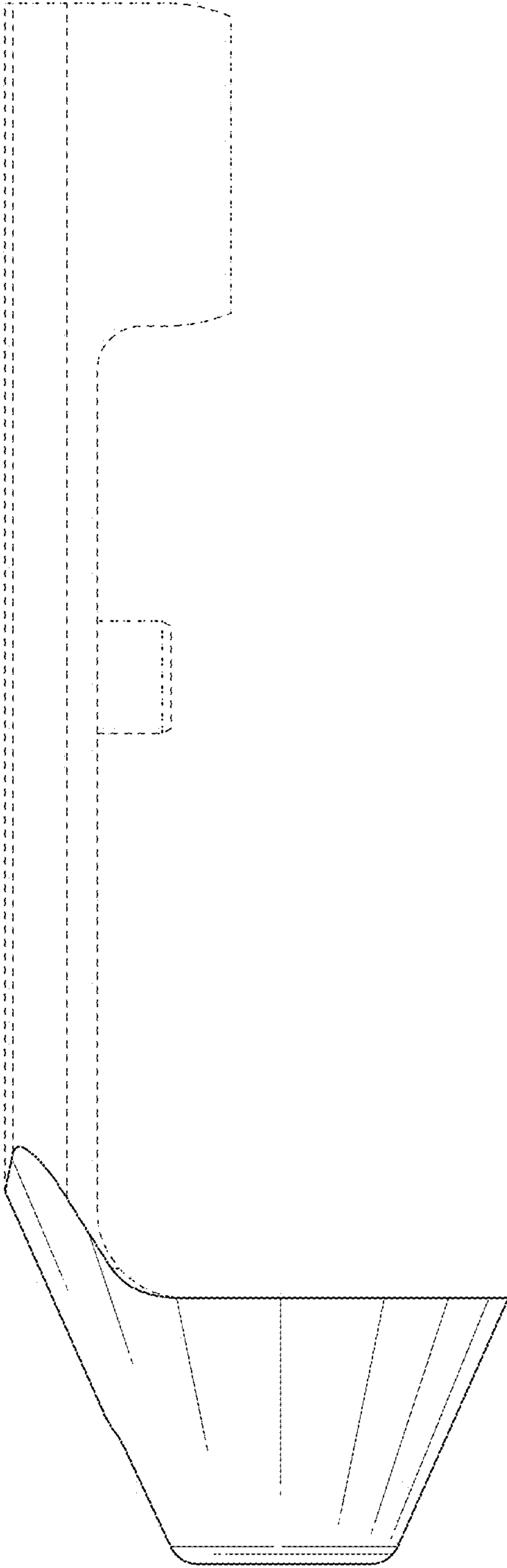


FIG. 5

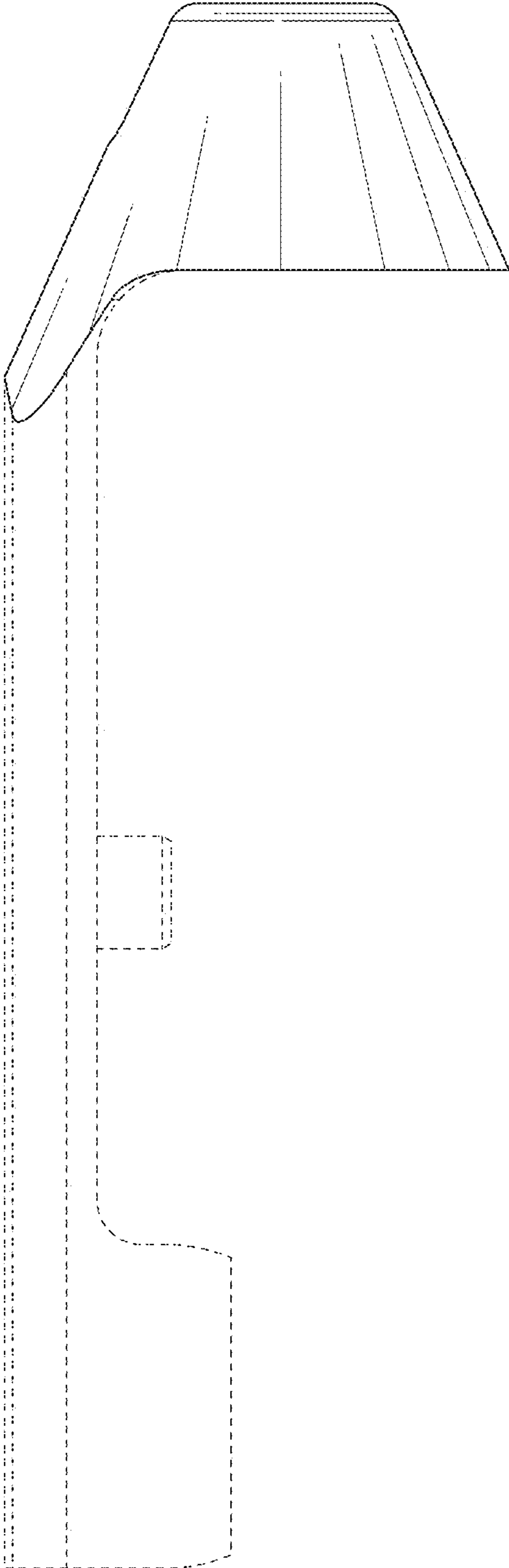


FIG. 6

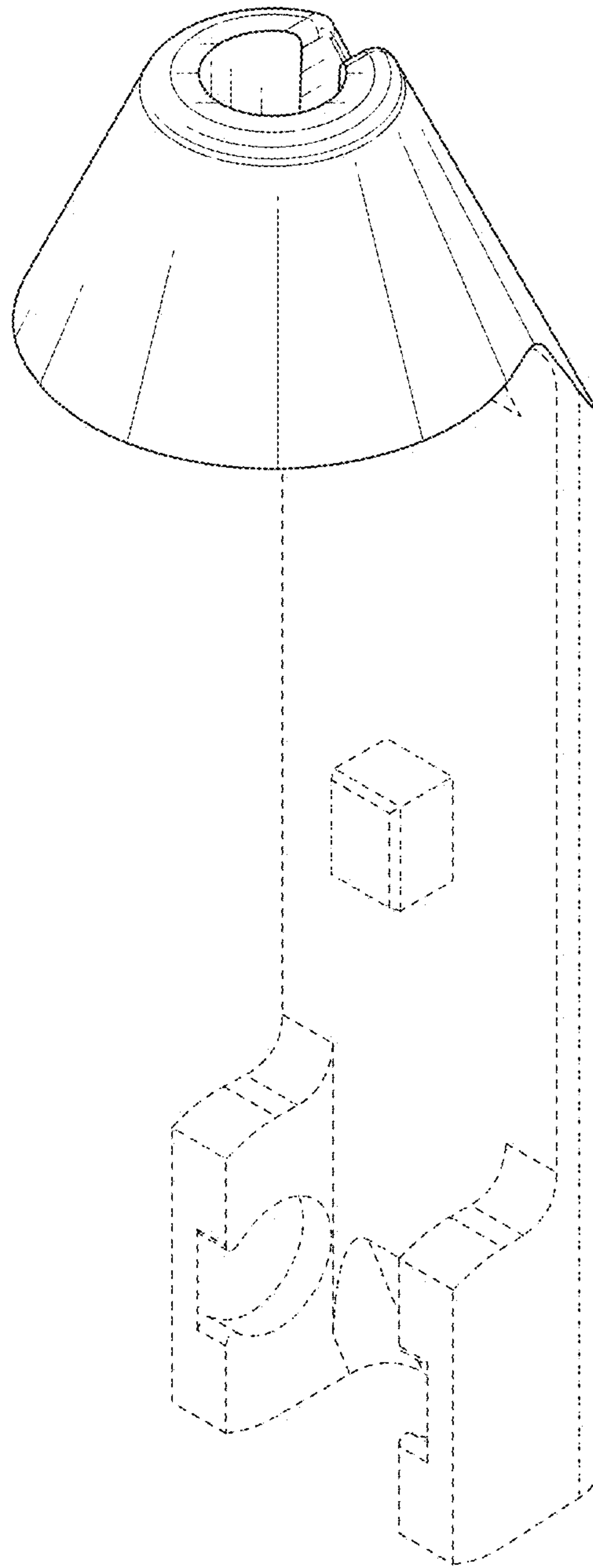


FIG. 7

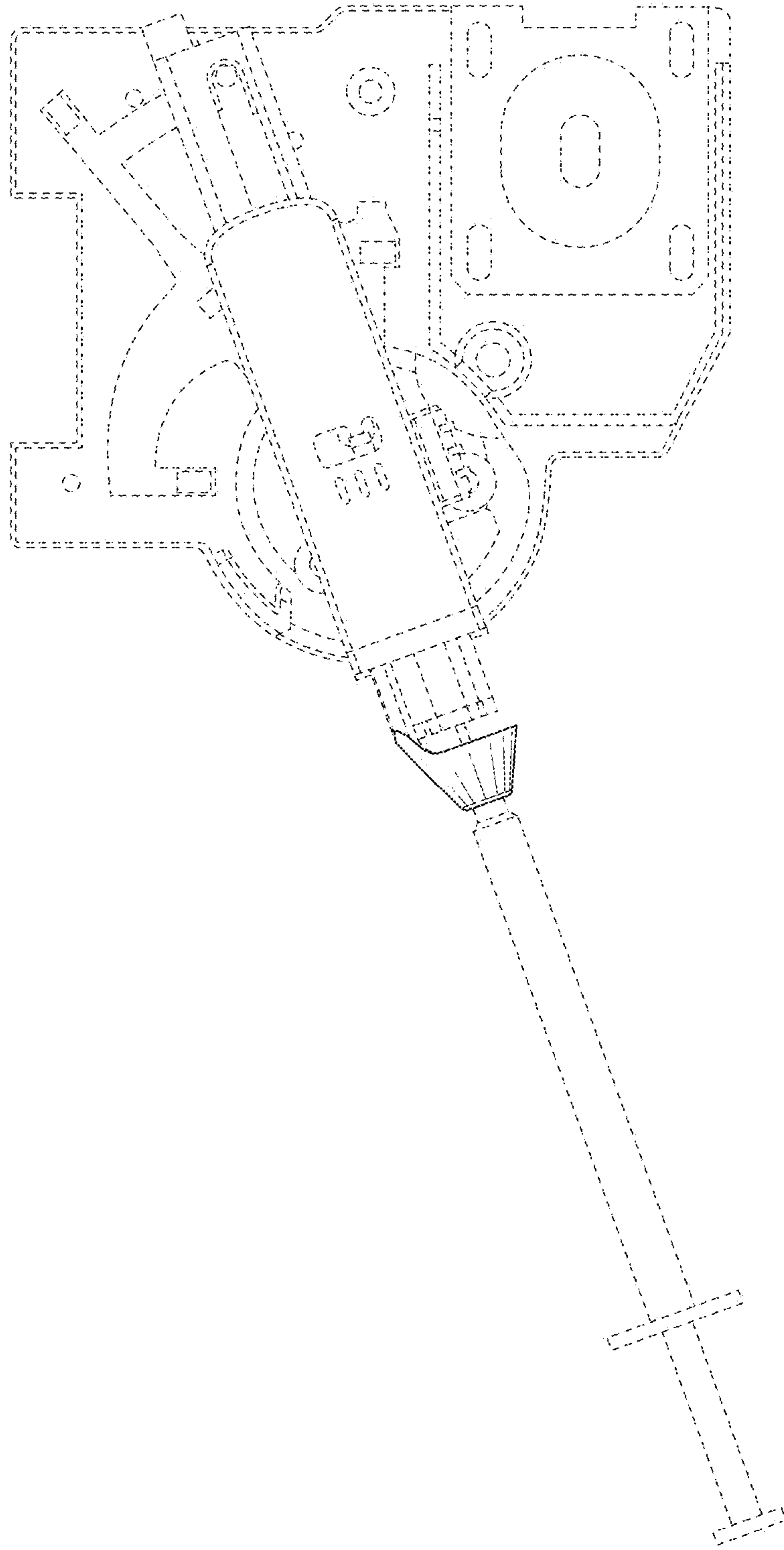


FIG. 8

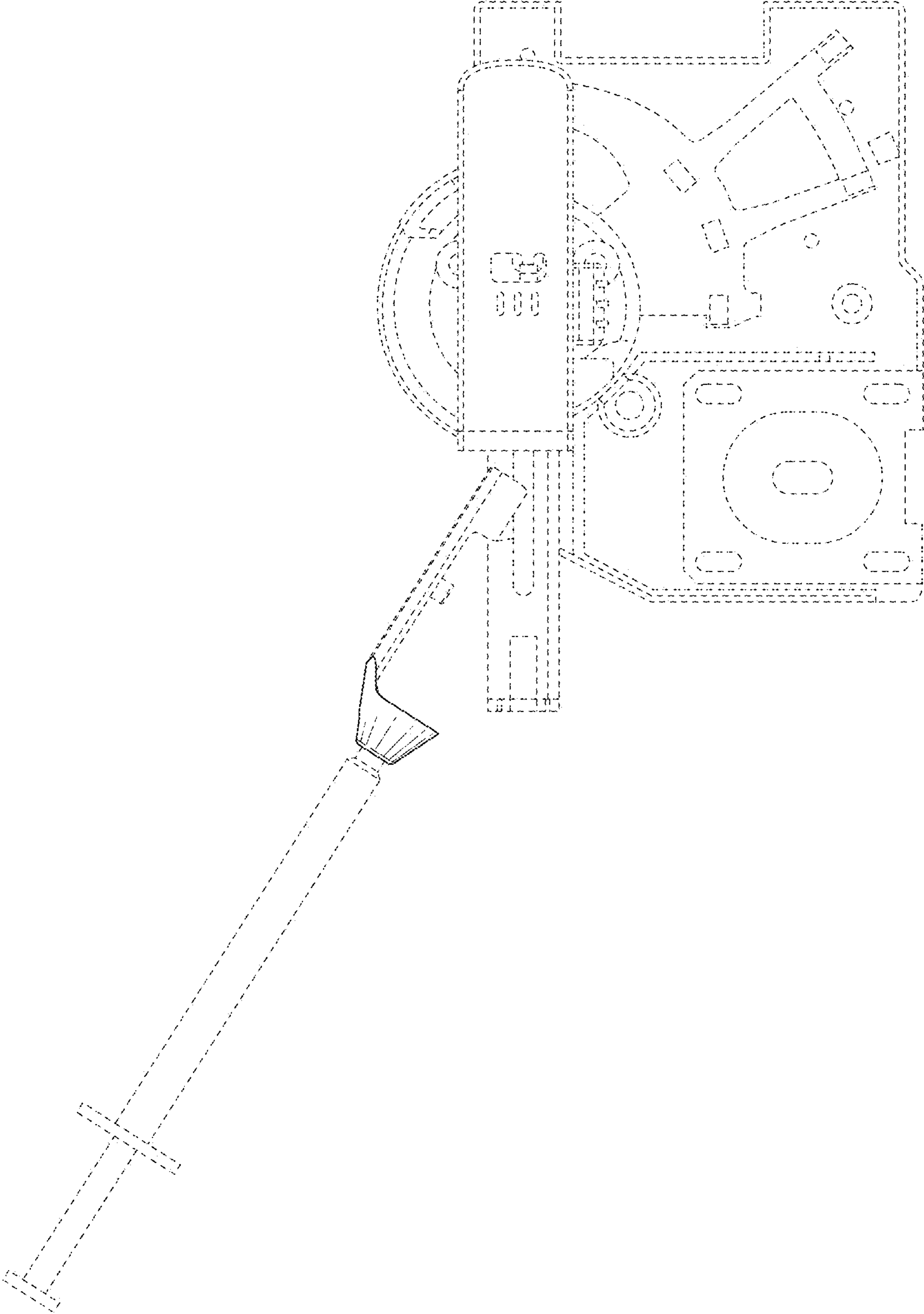


FIG. 9