



US00D989300S

(12) **United States Design Patent**
Newton et al.

(10) **Patent No.:** **US D989,300 S**
(45) **Date of Patent:** **** Jun. 13, 2023**

(54) **CONNECTOR FOR VTE PREVENTION PUMP**

(71) Applicant: **Arjo IP Holding AB**, Malmö (SE)

(72) Inventors: **Michael David Newton**, Boerne, TX (US); **David John Cain**, Houghton Regis (GB); **Stephen Howells**, Cardiff (GB); **Richard Keogh**, Cardiff (GB)

(73) Assignee: **Arjo IP Holding AB**, Malmö (SE)

(**) Term: **15 Years**

(21) Appl. No.: **35/512,787**

(22) Filed: **Apr. 19, 2021**

(80) **Hague Agreement Data**

Int. Filing Date: **Apr. 19, 2021**
Int. Reg. No.: **DM/214021**
Int. Reg. Date: **Apr. 19, 2021**
Int. Reg. Pub. Date: **Oct. 22, 2021**

(51) **LOC (14) Cl.** **24-02**

(52) **U.S. Cl.**
USPC **D24/129**

(58) **Field of Classification Search**
USPC D24/129, 127
CPC A61M 25/00; A61M 39/00
See application file for complete search history.

(56) **References Cited**

U.S. PATENT DOCUMENTS

D340,976 S * 11/1993 Garcia D24/129
D382,639 S * 8/1997 Musgrave D24/129
D468,015 S * 12/2002 Horppu D24/129

D602,128 S * 10/2009 Williams D23/262
D709,187 S * 7/2014 Li A61M 39/00
D720,067 S * 12/2014 Rosenquist D24/129
D751,699 S * 3/2016 Mills D24/127
D773,659 S * 12/2016 Cain D24/129
D784,529 S * 4/2017 Steele D24/129
D816,211 S * 4/2018 Guala D24/129
D838,363 S * 1/2019 Katagiri D24/127
D849,938 S * 5/2019 Gloria Bello D24/129
D851,243 S * 6/2019 Gloria Bello D24/129
D851,759 S * 6/2019 Jones D24/129
D878,576 S * 3/2020 Johnson D24/127
D892,321 S * 8/2020 Newton D24/129
D912,245 S * 3/2021 Grudo A61B 1/0011
D24/129

* cited by examiner

Primary Examiner — David G Muller

(74) *Attorney, Agent, or Firm* — Brooks Kushman P.C.

(57) **CLAIM**

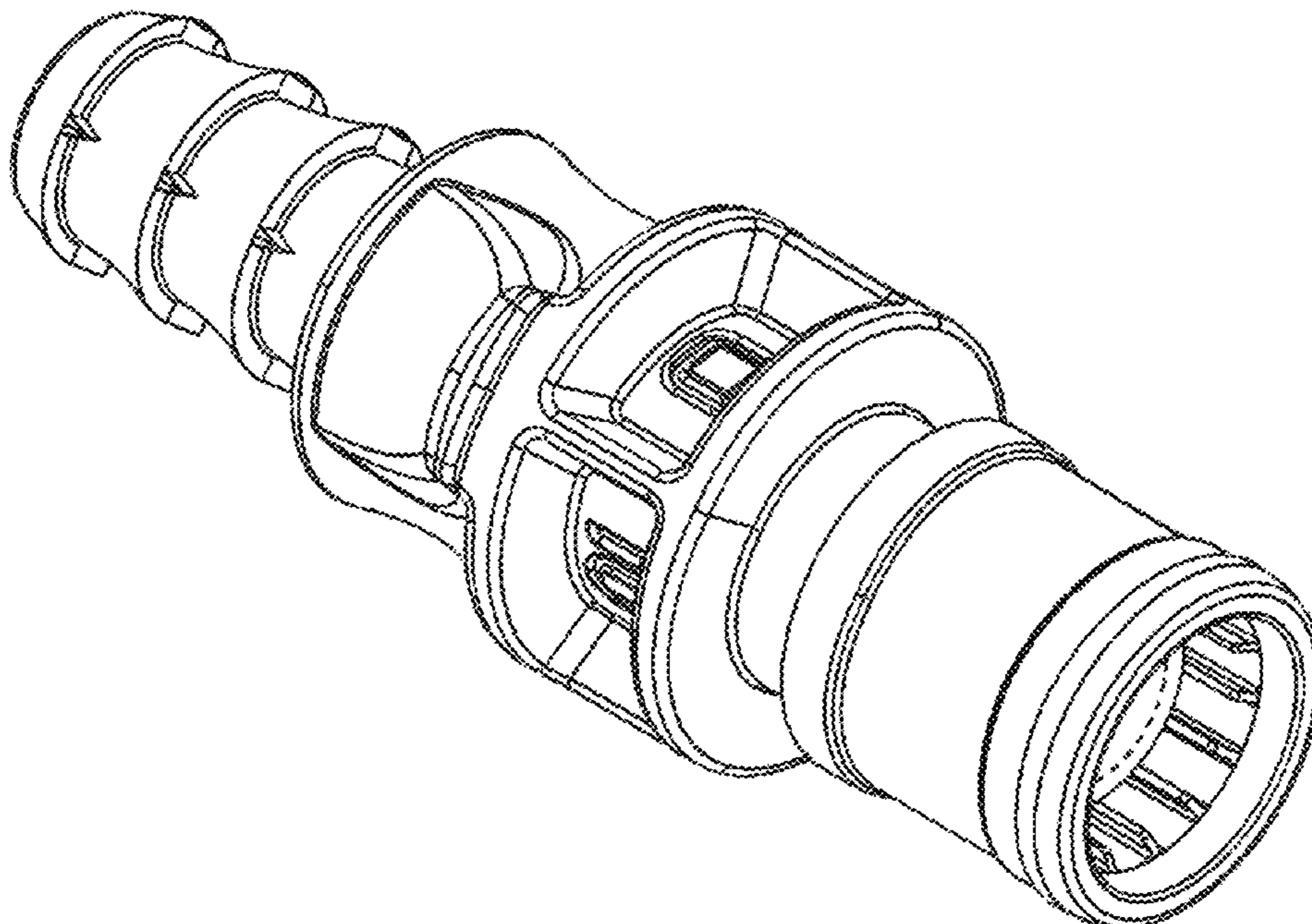
The ornamental design for a connector for VTE prevention pump, as shown and described.

DESCRIPTION

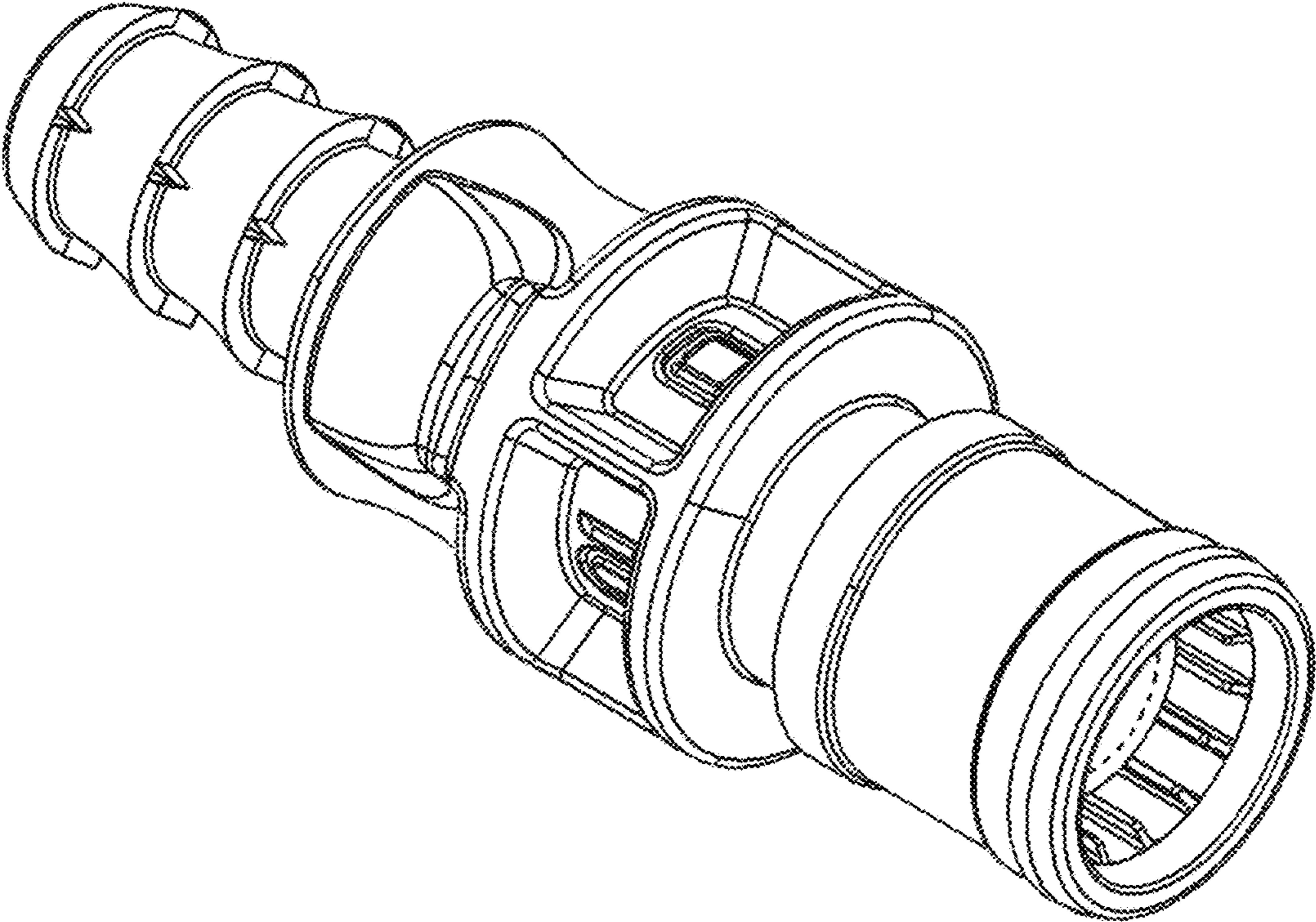
- 1. Connector for VTE prevention pump
- 1.1 : Perspective
- 1.2 : Bottom
- 1.3 : Top
- 1.4 : Side view
- 1.5 : Side view
- 1.6 : Side view
- 1.7 : Side view

The broken lines in the figures show portions of the connector for VTE prevention pump that form no part of the claimed design.

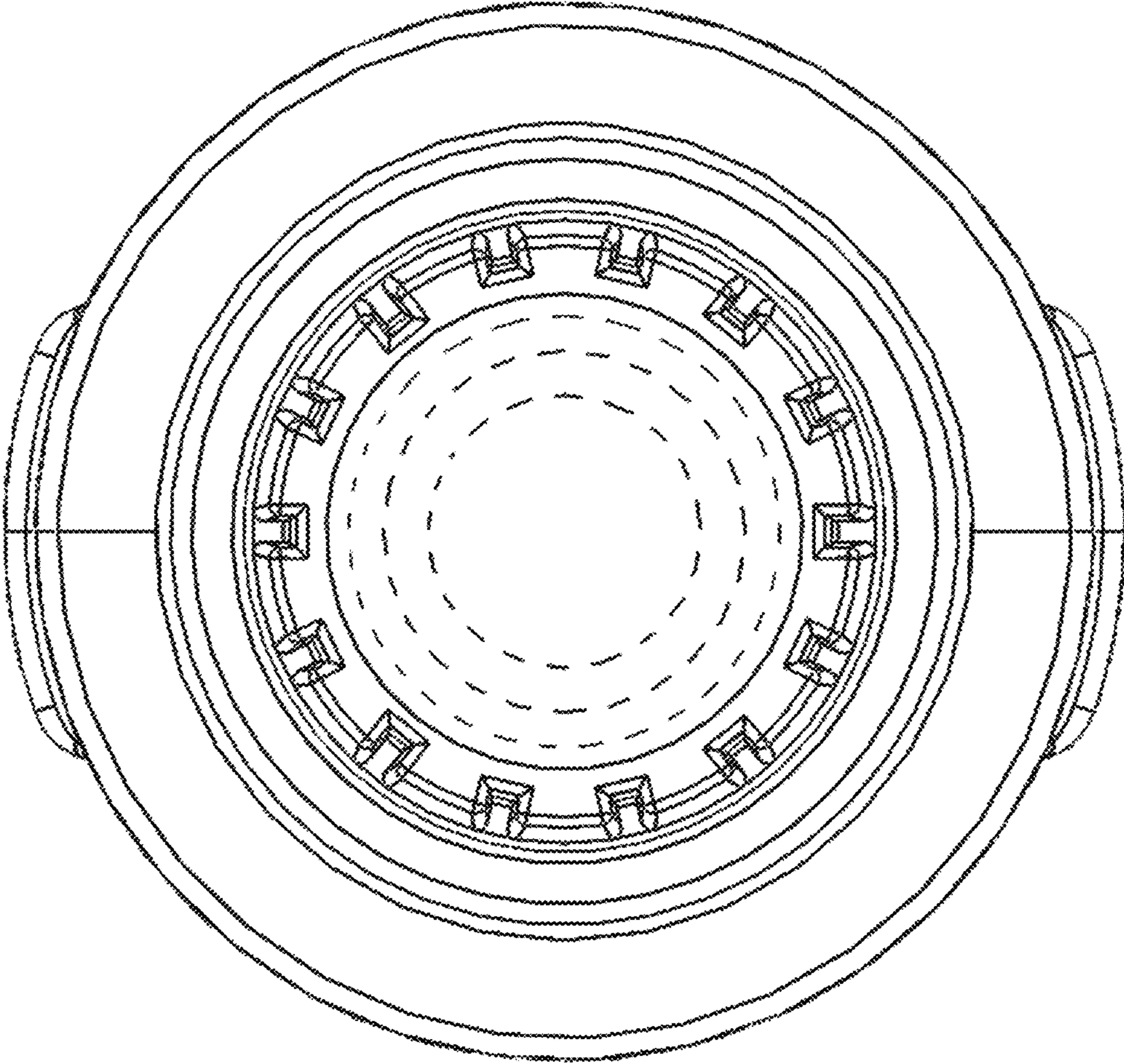
1 Claim, 7 Drawing Sheets



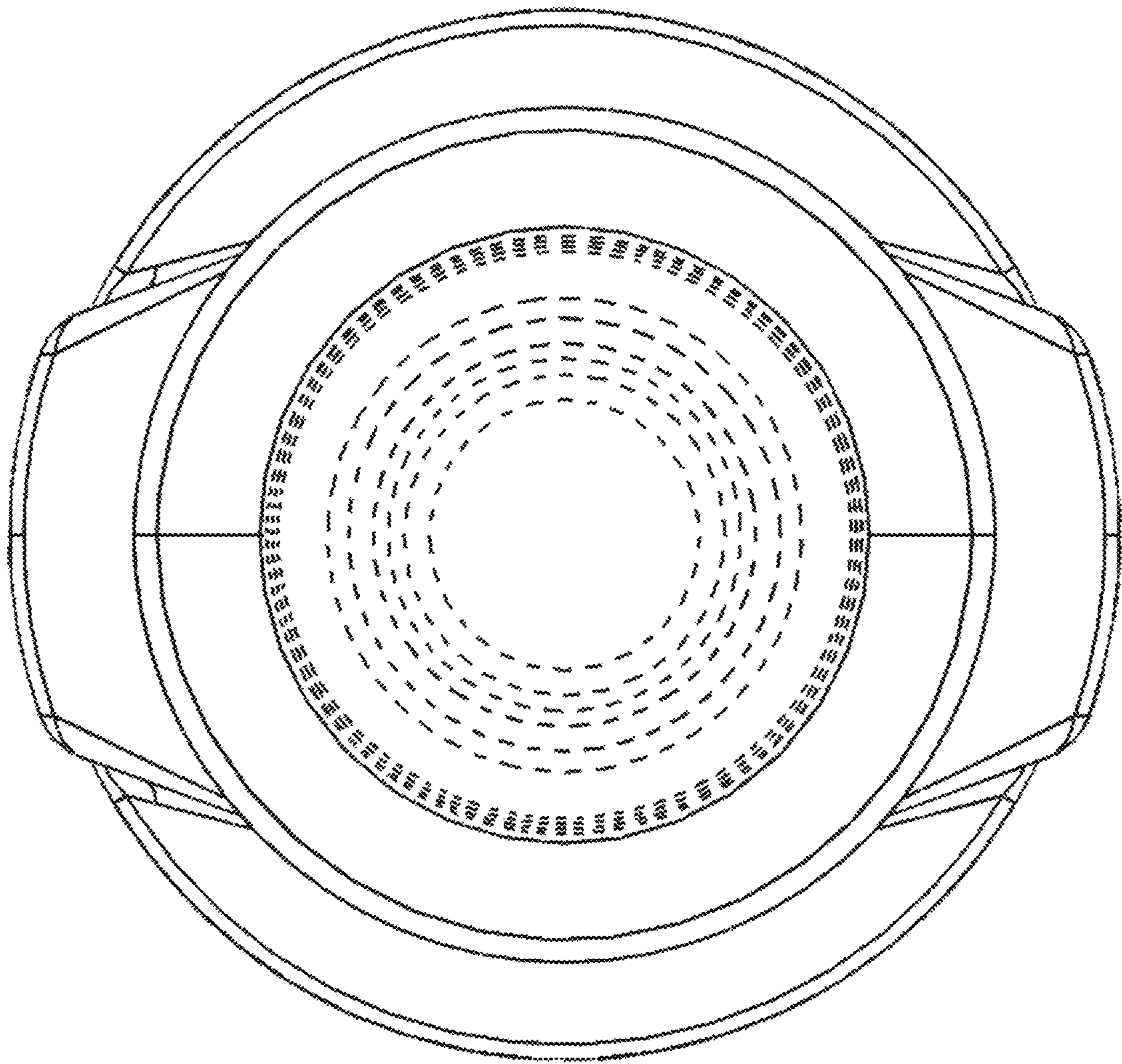
1.1



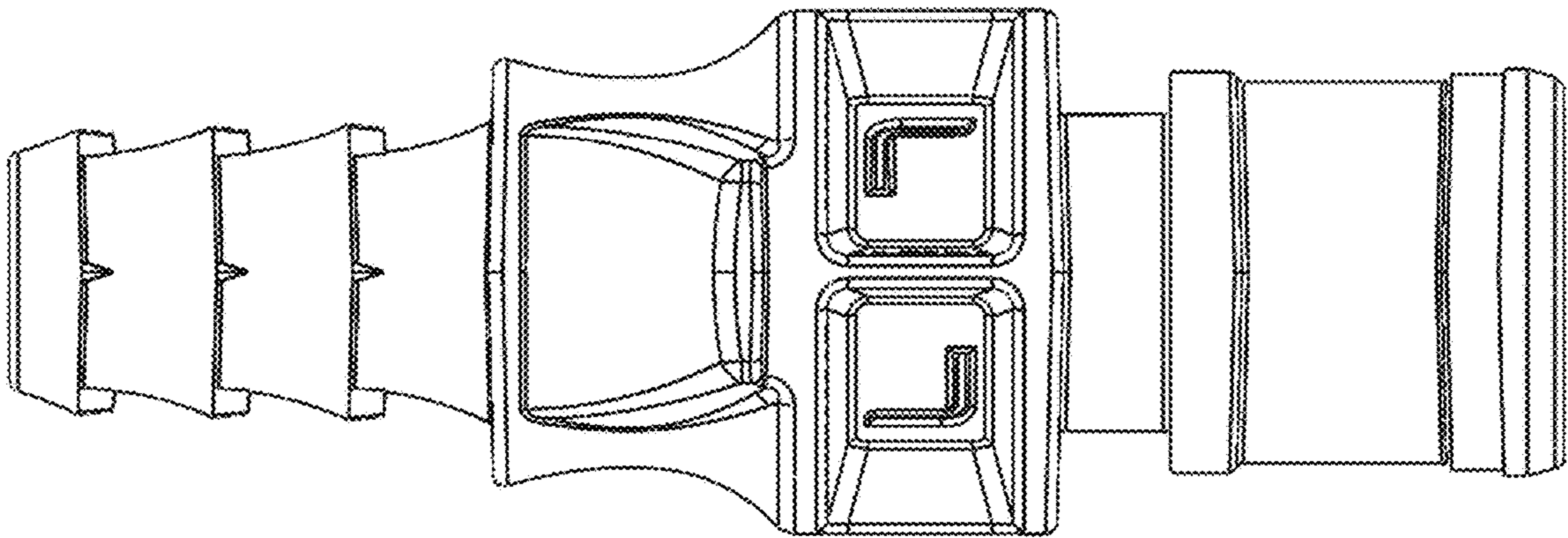
1.2



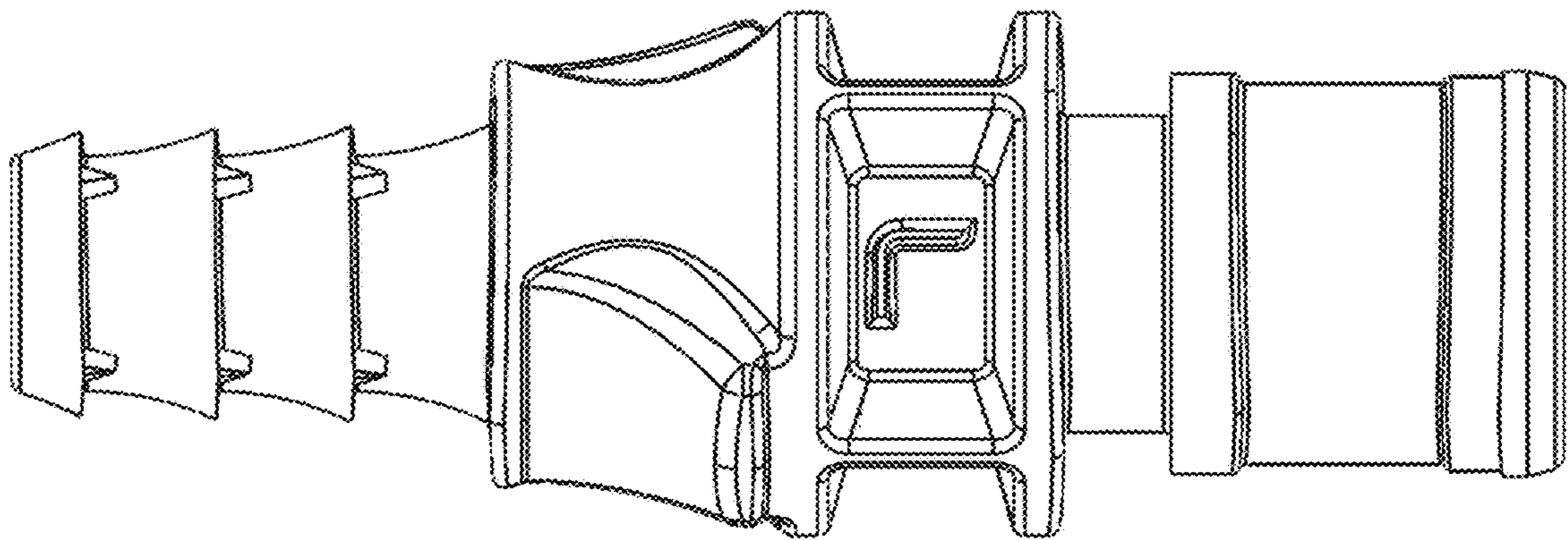
1.3



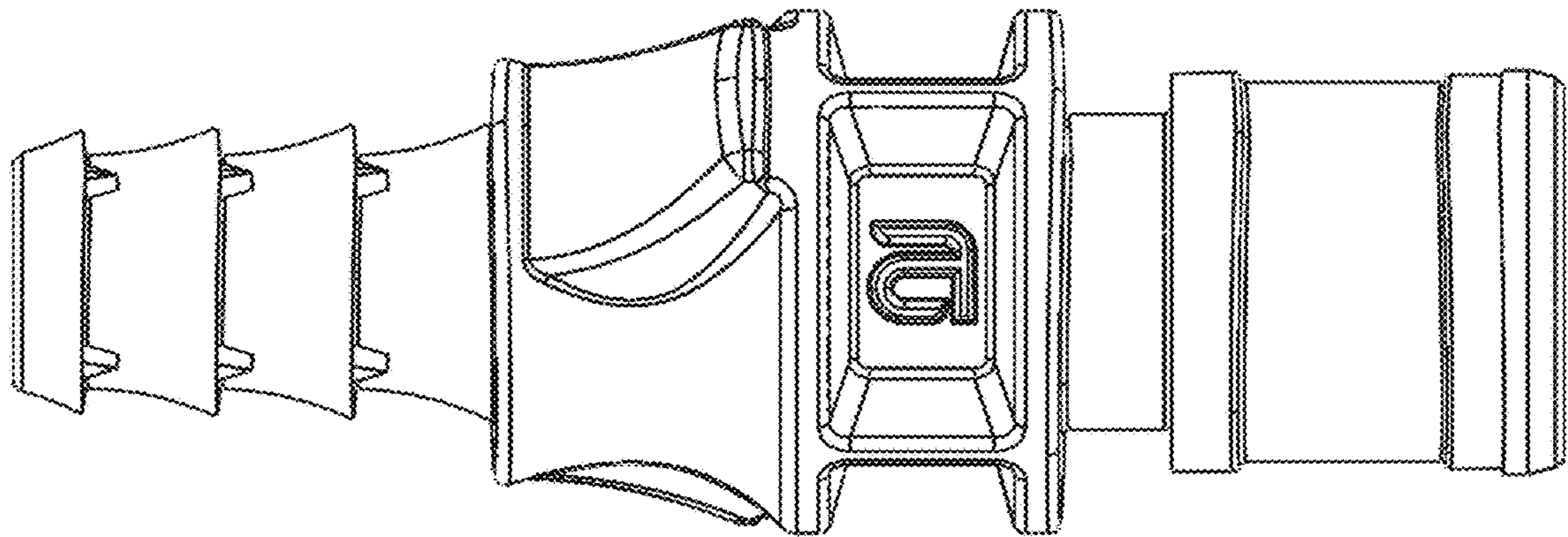
1.4



1.5



1.6



1.7

