



US00D989299S

(12) **United States Design Patent** (10) **Patent No.:** **US D989,299 S**  
**Deyanov et al.** (45) **Date of Patent:** **\*\* Jun. 13, 2023**

(54) **CONNECTOR ASSEMBLY FOR A SURGICAL INSTRUMENT**

D948,727 S \* 4/2022 Sekine ..... D24/187  
11,529,206 B2 \* 12/2022 Ragosta ..... A61B 34/71  
2017/0273544 A1 \* 9/2017 Onishi ..... A61B 1/00121

(71) Applicant: **Intuitive Surgical Operations, Inc.**,  
Sunnyvale, CA (US)

FOREIGN PATENT DOCUMENTS

DE 402022100036-0001 \* 4/2022 ..... 24/2

(72) Inventors: **Rumen Deyanov**, Fremont, CA (US);  
**Yifei Zha**, Sunnyvale, CA (US)

OTHER PUBLICATIONS

(73) Assignee: **Intuitive Surgical Operations, Inc.**,  
Sunnyvale, CA (US)

Da Vinci Xi Surgical System , Intuitive, Youtube.com, [Post date: Jul. 31, 2020], [Site seen Jan. 9, 2023], Seen at URL: <https://www.youtube.com/watch?v=9IAYRZ9qz44> (Year: 2020).  
Vertut, Jean and Phillips Coiffet, Robot Technology: Teleoperation and Robotics Evolution and Development, English translation, Prentice-Hall, Inc., Inglewood Cliffs, NJ, USA 1986, vol. 3A, 332 pages.

(\*\*) Term: **15 Years**

\* cited by examiner

(21) Appl. No.: **29/800,888**

(22) Filed: **Jul. 23, 2021**

(51) **LOC (14) Cl.** ..... **24-02**

(52) **U.S. Cl.**  
USPC ..... **D24/129**; D24/186

(58) **Field of Classification Search**  
USPC ..... D24/135, 184, 186, 231-232; D15/140,  
D15/138; D8/71, 74  
CPC ..... A61B 34/71; A61B 1/00133; A61B  
2017/0287

*Primary Examiner* — Natasha Vujcic  
*Assistant Examiner* — Gilbert B Ford

(57) **CLAIM**

We claim, the ornamental design for a connector assembly for a surgical instrument, as shown and described.

See application file for complete search history.

**DESCRIPTION**

(56) **References Cited**

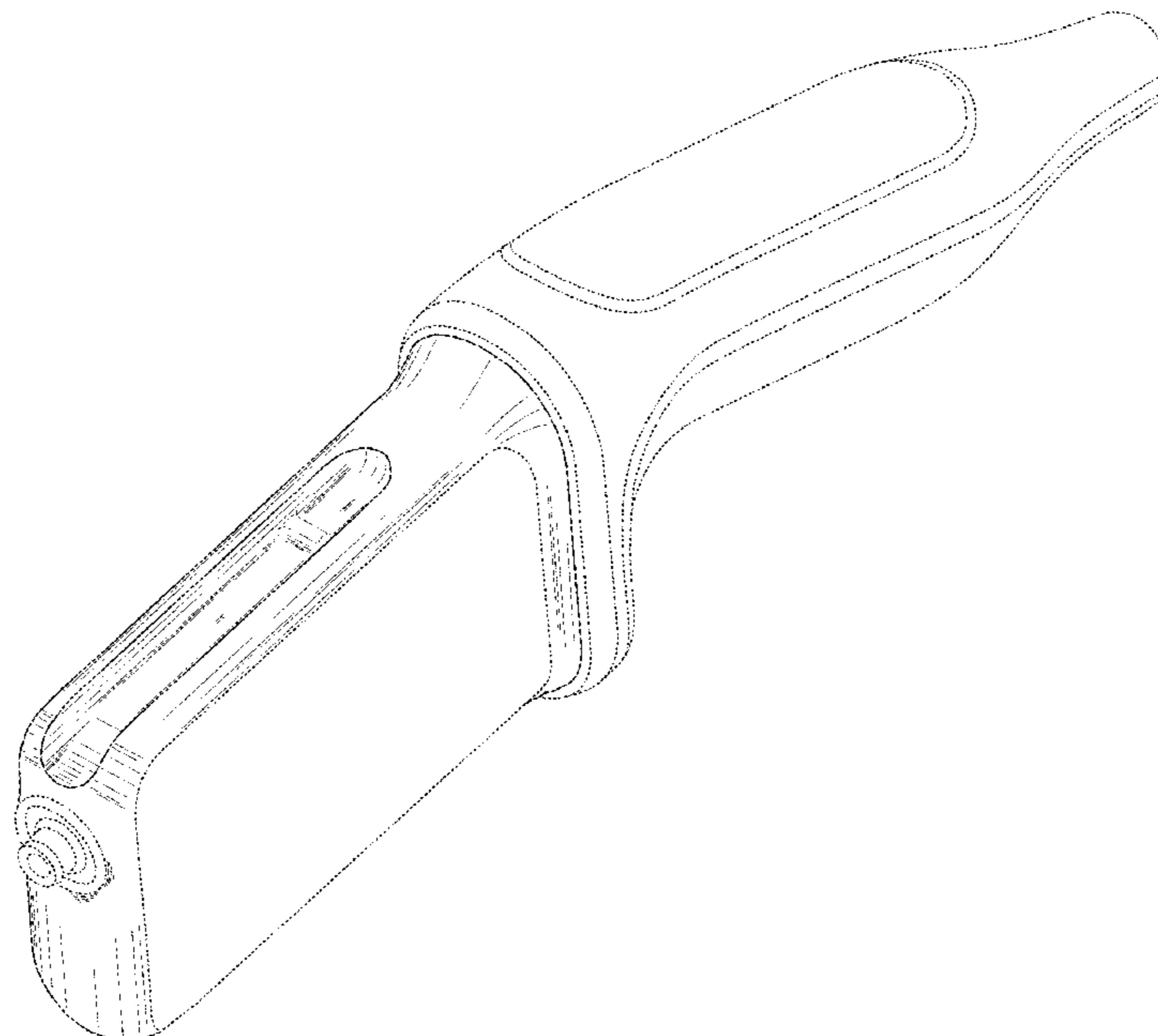
U.S. PATENT DOCUMENTS

D623,739 S \* 9/2010 Vernooij ..... D24/133  
D745,972 S \* 12/2015 Kitayama ..... D24/187  
D749,224 S \* 2/2016 Iritani ..... D24/187  
D752,217 S \* 3/2016 Swift ..... D24/135  
D797,536 S \* 9/2017 Jost ..... D8/71  
D870,294 S \* 12/2019 Bechtel ..... D24/186  
D903,880 S \* 12/2020 Roy ..... D24/186  
D916,295 S \* 4/2021 Shibayama ..... D24/187  
D938,047 S \* 12/2021 Denis ..... D24/186  
D940,311 S \* 1/2022 Sweitzer ..... D24/133

FIG. 1 is a top, front, right-side perspective view of a connector assembly for a surgical instrument;  
FIG. 2 is top view thereof;  
FIG. 3 is a front view thereof;  
FIG. 4 is a right-side view thereof;  
FIG. 5 is a left-side view thereof;  
FIG. 6 is a rear view thereof; and,  
FIG. 7 is a bottom view thereof.

The broken lines in the drawings illustrate portions of the connector assembly for a surgical instrument and form no part of the claimed design.

**1 Claim, 7 Drawing Sheets**



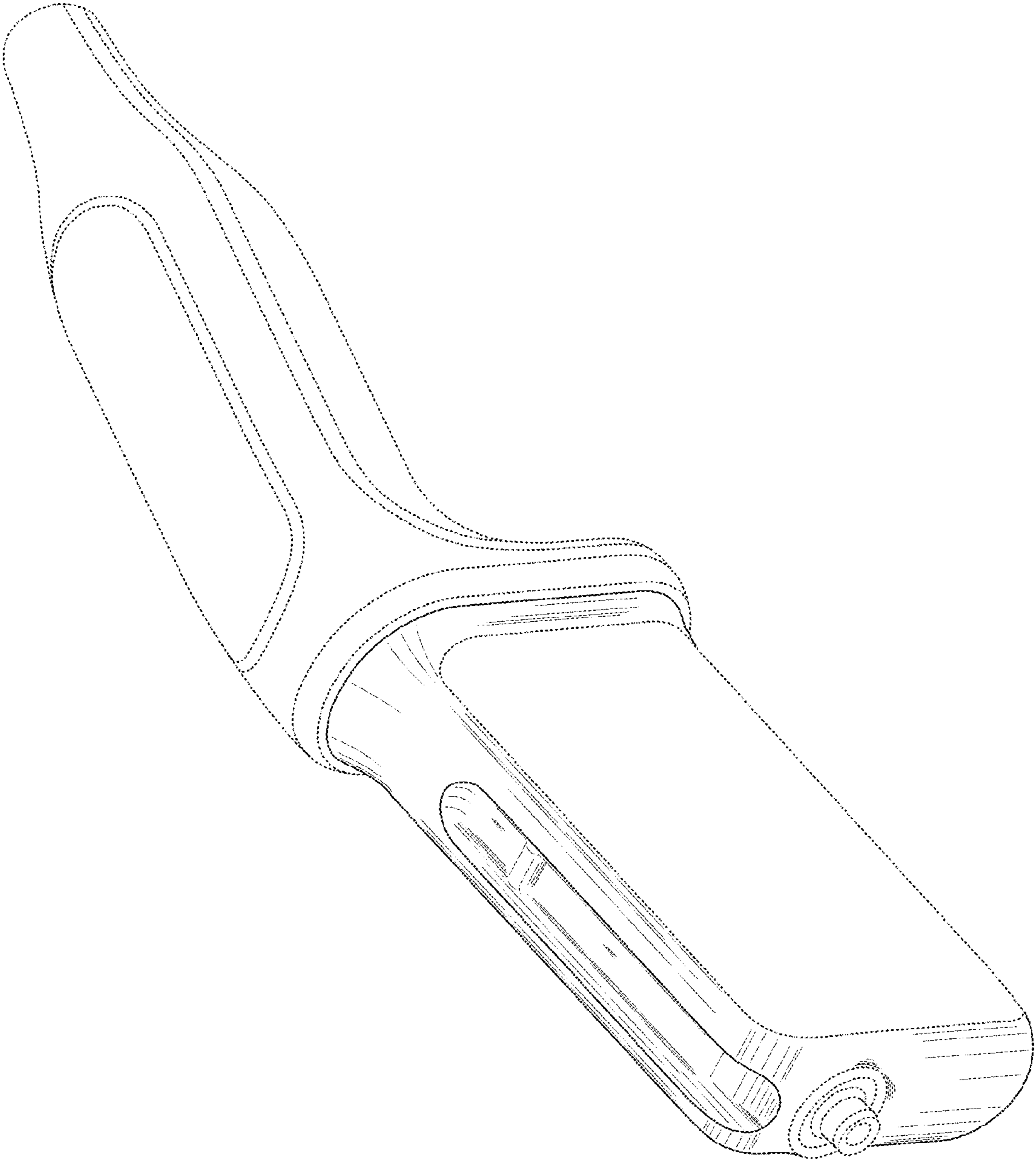


Fig. 1

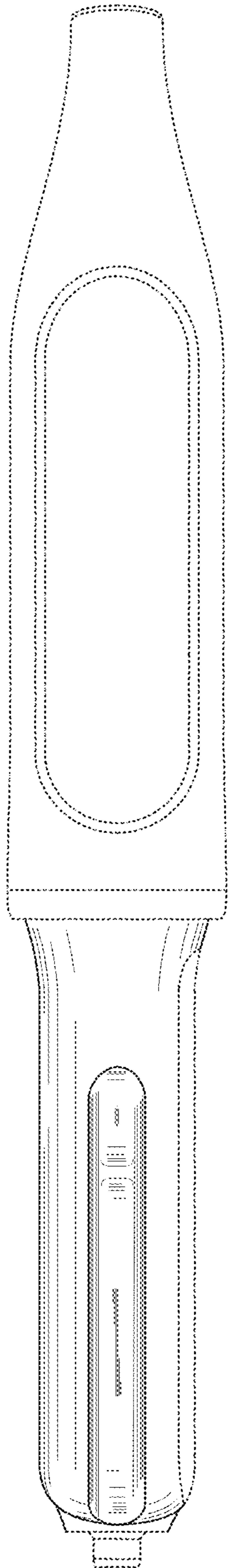


Fig. 2

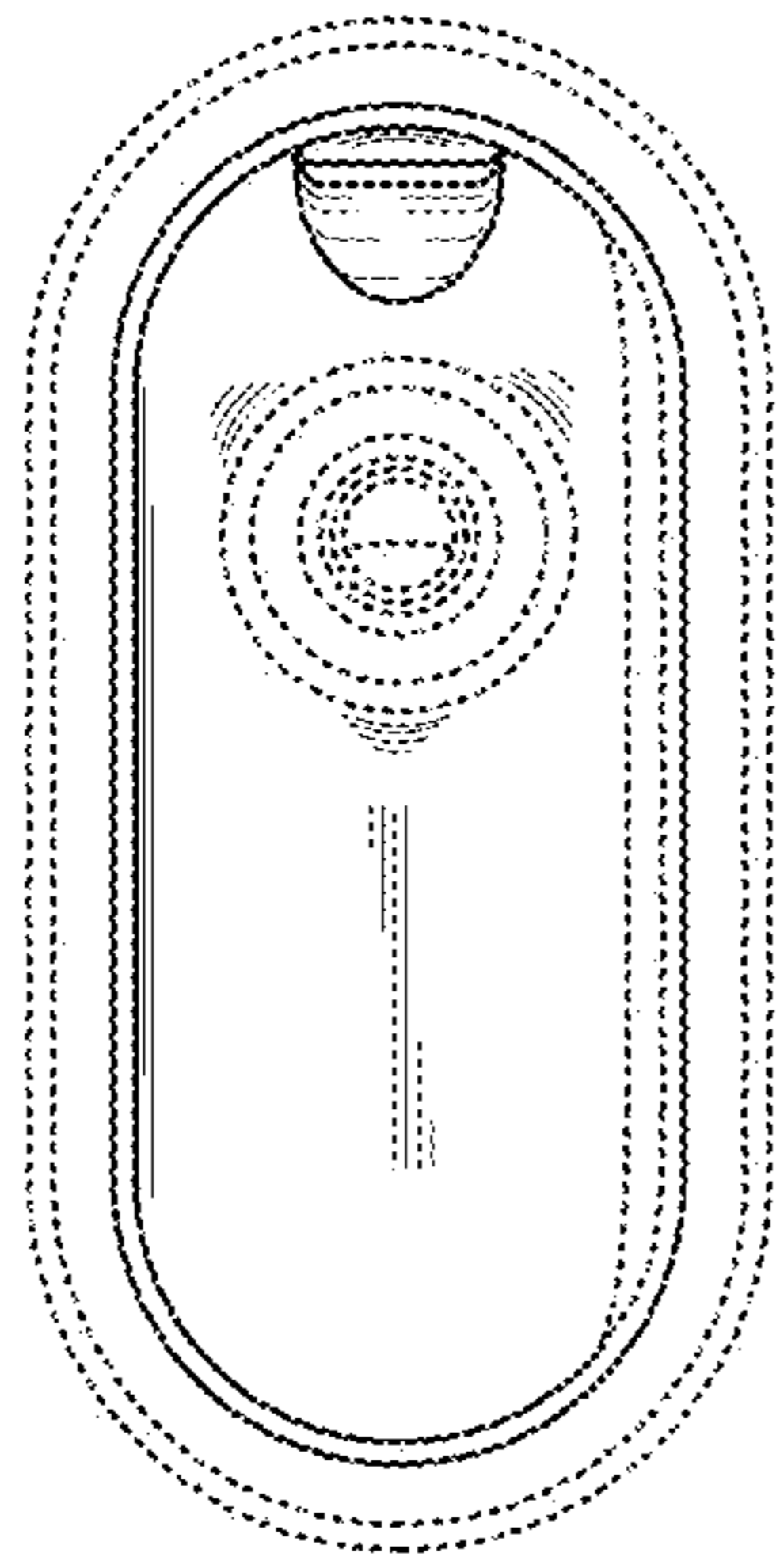


Fig. 3

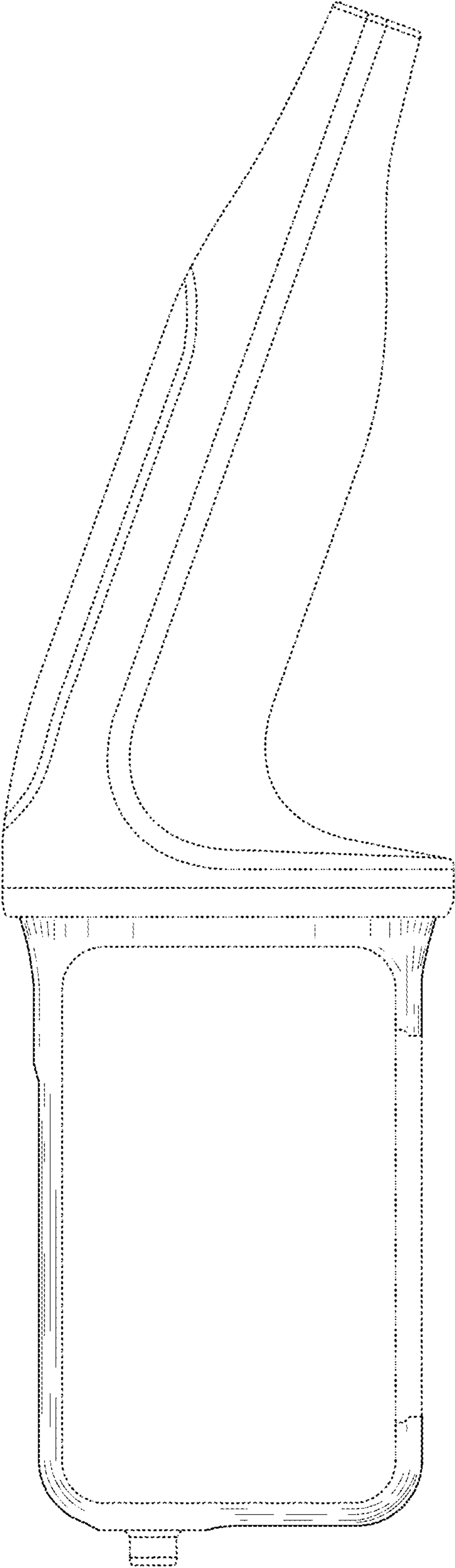


Fig. 4

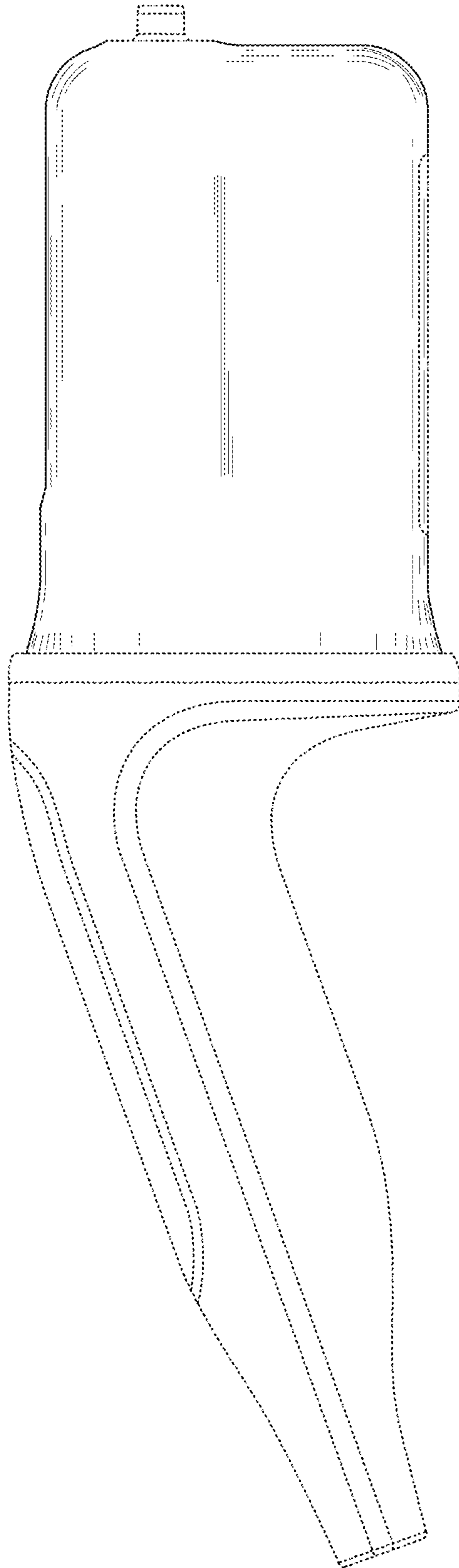


Fig. 5

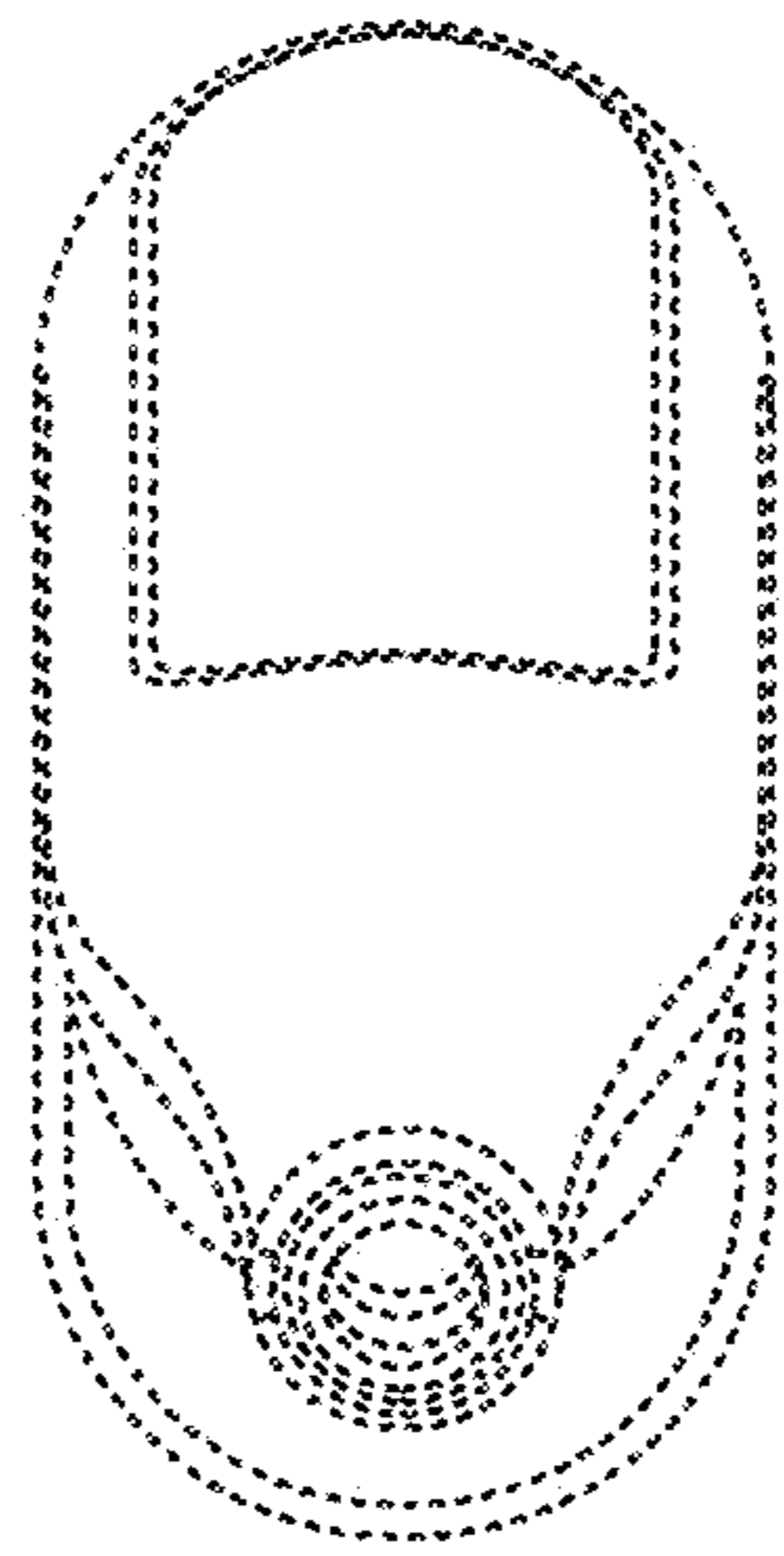


Fig. 6

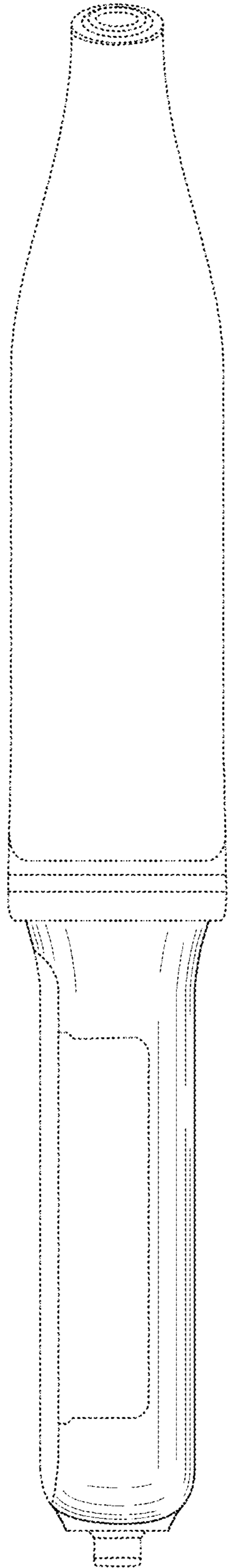


Fig. 7