



US00D989298S

(12) **United States Design Patent** (10) **Patent No.:** **US D989,298 S**
Slaby et al. (45) **Date of Patent:** **** Jun. 13, 2023**

(54) **INFUSION PUMP RACK**

(71) Applicants: **BAXTER INTERNATIONAL INC.**,
Deerfield, IL (US); **BAXTER**
HEALTHCARE SA, Glattpark (CH)
(72) Inventors: **Jiri Slaby**, Buffalo Grove, IL (US);
Troy David Heavelyn, Grayslake, NY
(US); **Jing Li**, Libertyville, IL (US);
Aaron Hexamer, Grayslake, IL (US);
Mark Andrew Luzbetak, Kildeer, IL
(US); **Ken Powers**, Evanston, IL (US);
Andrew Kellock, Mitcham Victoria
(AU); **Ulf Quensel**, Ystad (SE); **Robert**
Cuevas, Twin Lakes, WI (US); **David**
Gorgi, Schaumburg, IL (US)

(73) Assignees: **BAXTER INTERNATIONAL INC.**,
Deerfield, IL (US); **BAXTER**
HEALTHCARE SA, Glattpark (CH)

(**) Term: **15 Years**

(21) Appl. No.: **29/769,501**

(22) Filed: **Feb. 5, 2021**

(51) **LOC (14) Cl.** **24-02**

(52) **U.S. Cl.**
USPC **D24/185**

(58) **Field of Classification Search**
USPC D24/108, 111, 127-129, 227-229, 231,
D24/234; D6/672, 673, 677, 677.1, 702,
D6/705, 705.1

(Continued)

(56) **References Cited**

U.S. PATENT DOCUMENTS

D426,092 S * 6/2000 Neustadt D6/705
D459,137 S * 6/2002 Poirier D6/677.1

(Continued)

FOREIGN PATENT DOCUMENTS

GB 6152738 * 8/2021
NZ 429275-0001 * 2/2021

OTHER PUBLICATIONS

DI-4000 Standalone rack, Trade Korea, [Post date: Mar. 16, 2017],
[Site seen Aug. 9, 2022], Seen at URL: <https://www.tradekorea.com/product/detail/P475265/Volumetric-Infusion-Pump.html> (Year:
2017).*

(Continued)

Primary Examiner — Natasha Vujcic
Assistant Examiner — Gilbert B Ford
(74) *Attorney, Agent, or Firm* — K&L Gates LLP

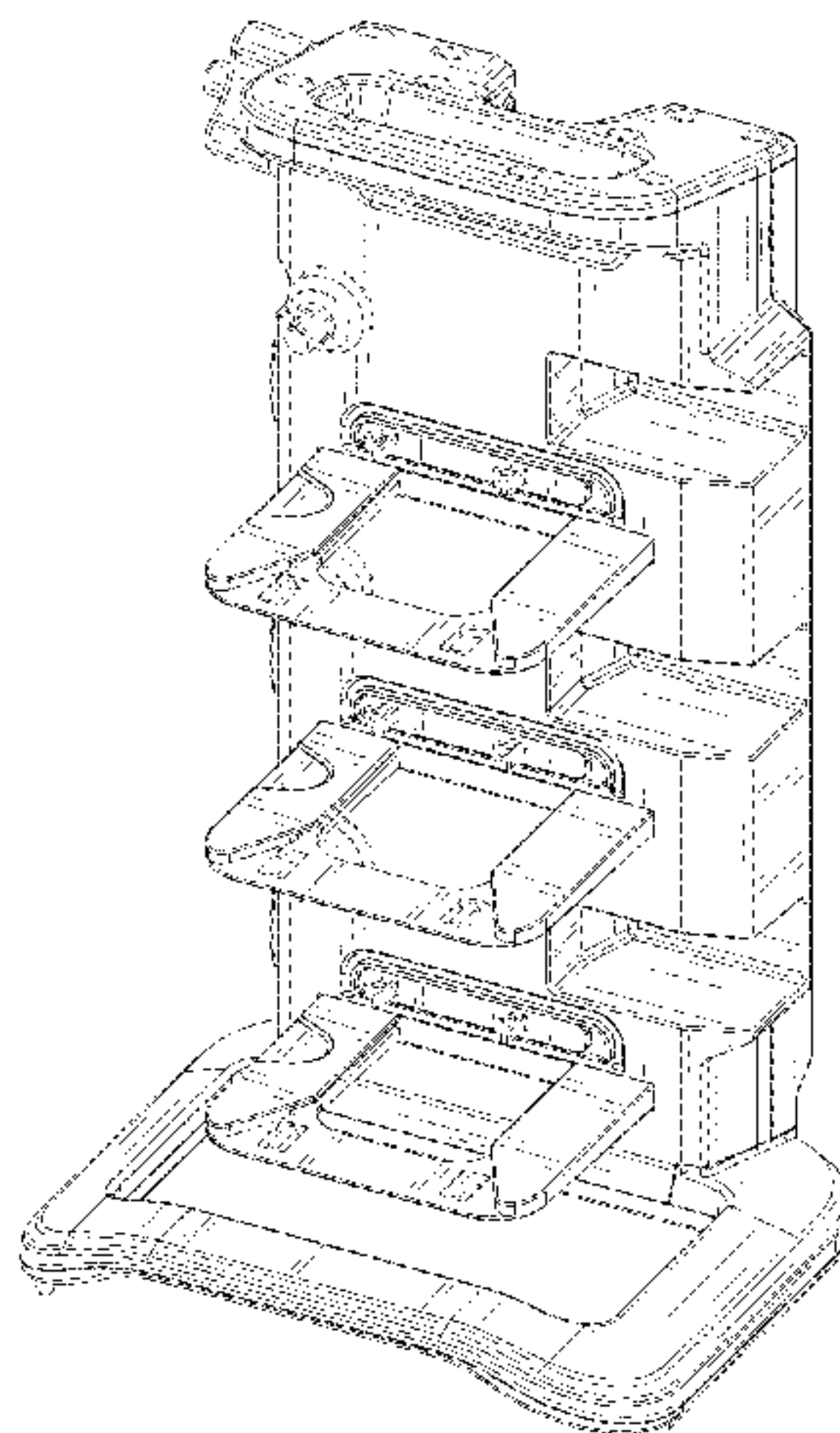
(57) **CLAIM**

We claim, the ornamental design for an infusion pump rack,
as shown and described herein.

DESCRIPTION

FIG. 1 illustrates a perspective view of an infusion pump rack, according to one embodiment of the invention.
FIG. 2 illustrates a front view of the infusion pump rack shown in FIG. 1.
FIG. 3 illustrates a rear side view of the infusion pump rack shown in FIG. 1.
FIG. 4 illustrates a left side view of the infusion pump rack shown in FIG. 1.
FIG. 5 illustrates a right-side view of the infusion pump rack shown in FIG. 1.
FIG. 6 illustrates a top view of the infusion pump rack shown in FIG. 1.
FIG. 7 illustrates a bottom view of the infusion pump rack shown in FIG. 1.
FIG. 8 illustrates a perspective view of an infusion pump rack, according to a second embodiment of the invention.
FIG. 9 illustrates a front view of the infusion pump rack shown in FIG. 8.
FIG. 10 illustrates a rear view of the infusion pump rack shown in FIG. 8.
FIG. 11 illustrates a left side view of the infusion pump rack shown in FIG. 8.
FIG. 12 illustrates a right-side view of the infusion pump rack shown in FIG. 8.
FIG. 13 illustrates a top view of the infusion pump rack shown in FIG. 8; and,
FIG. 14 illustrates a bottom view of the infusion pump rack shown in FIG. 8.

(Continued)



The broken lines in the drawings illustrate portions of the infusion pump rack and form no part of the claimed design. Additionally, the infusion pump rack is not limited to the scale shown herein.

1 Claim, 14 Drawing Sheets

(58) Field of Classification Search

CPC . A61M 5/1413; H05K 5/0021; H05K 7/1435;
F16M 11/24; F16M 2200/027; A61B
19/0256; G06F 19/3412; G06F 19/3468
See application file for complete search history.

(56) References Cited

U.S. PATENT DOCUMENTS

6,407,335 B1 * 6/2002 Franklin-Lees F16M 13/02
174/58
D564,796 S * 3/2008 Zambelli D6/677.1

D700,704 S * 3/2014 Kitt D24/185
D777,933 S * 1/2017 Hrenchir D24/185
D810,958 S * 2/2018 Lacy D24/227
9,987,415 B2 * 6/2018 Asama A61M 5/1417
D860,464 S * 9/2019 Caywood D24/185
D935,246 S * 11/2021 Peng D6/677.1
D953,540 S * 5/2022 Behrendt D24/185
2014/0321096 A1 * 10/2014 Kajackas A61G 12/00
361/807
2015/0041419 A1 * 2/2015 Hasegawa F16M 11/041
248/676

OTHER PUBLICATIONS

MP-80 docking station with 6 channels, Medcaptain Medical Technology Co., Ltd, facebook, [Post date: Jun. 12, 2015], [Site seen Aug. 9, 2022], Seen at URL: <https://m.facebook.com/MedcaptainMedTech/photos/mp-80-docking-station-with-6-channels/1382577882043695/> (Year: 2015).*

* cited by examiner

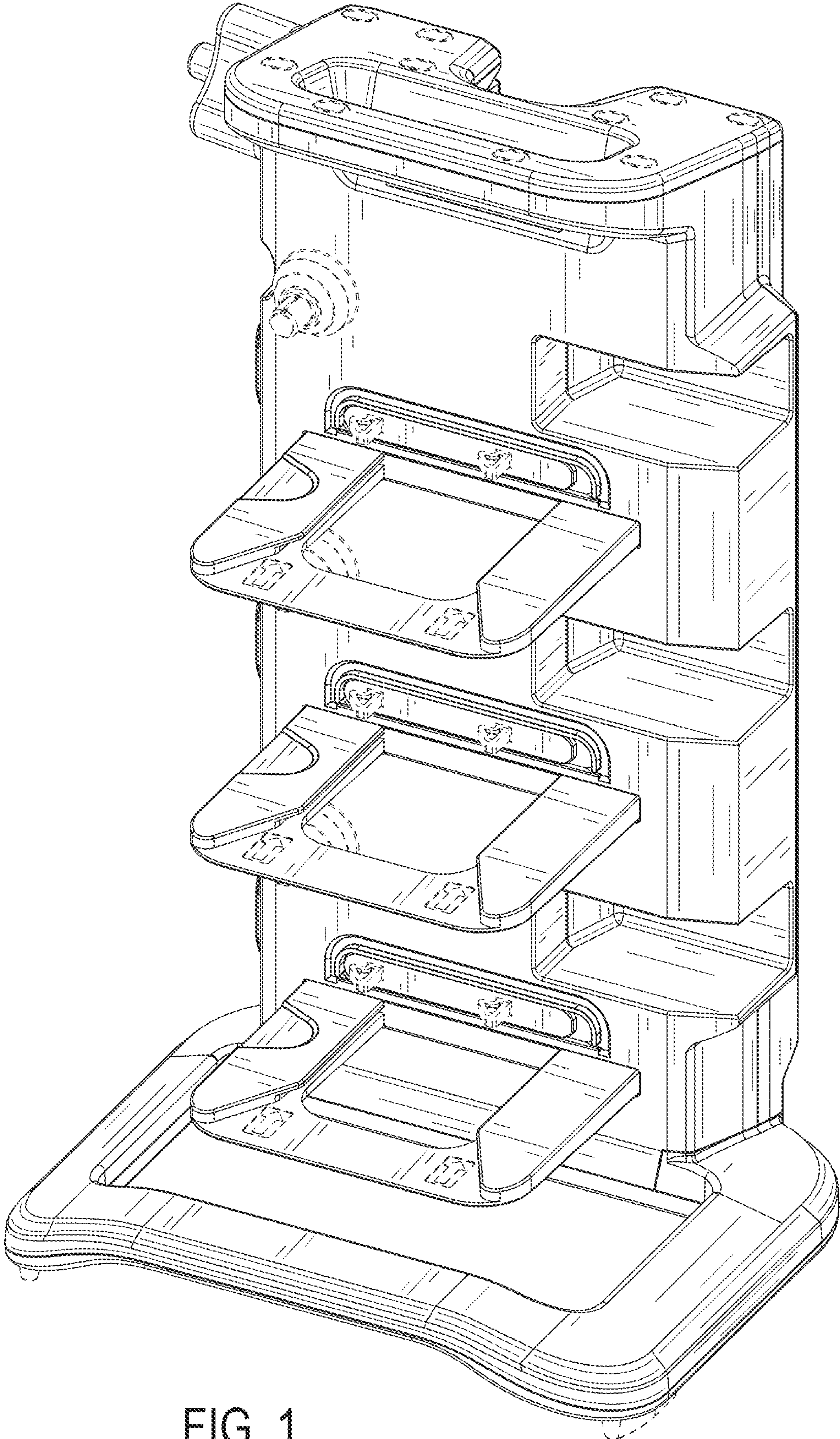


FIG. 1

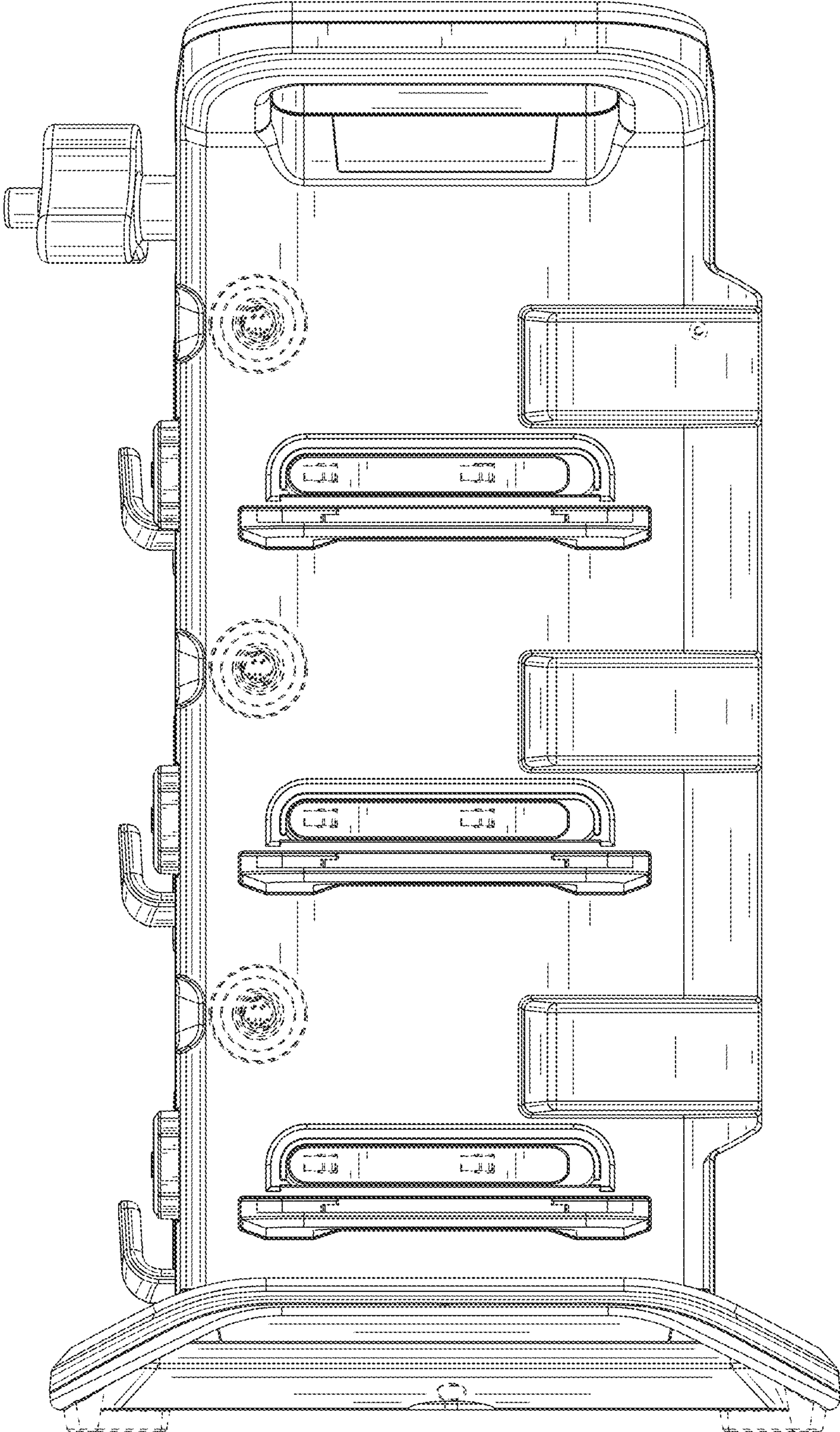


FIG. 2

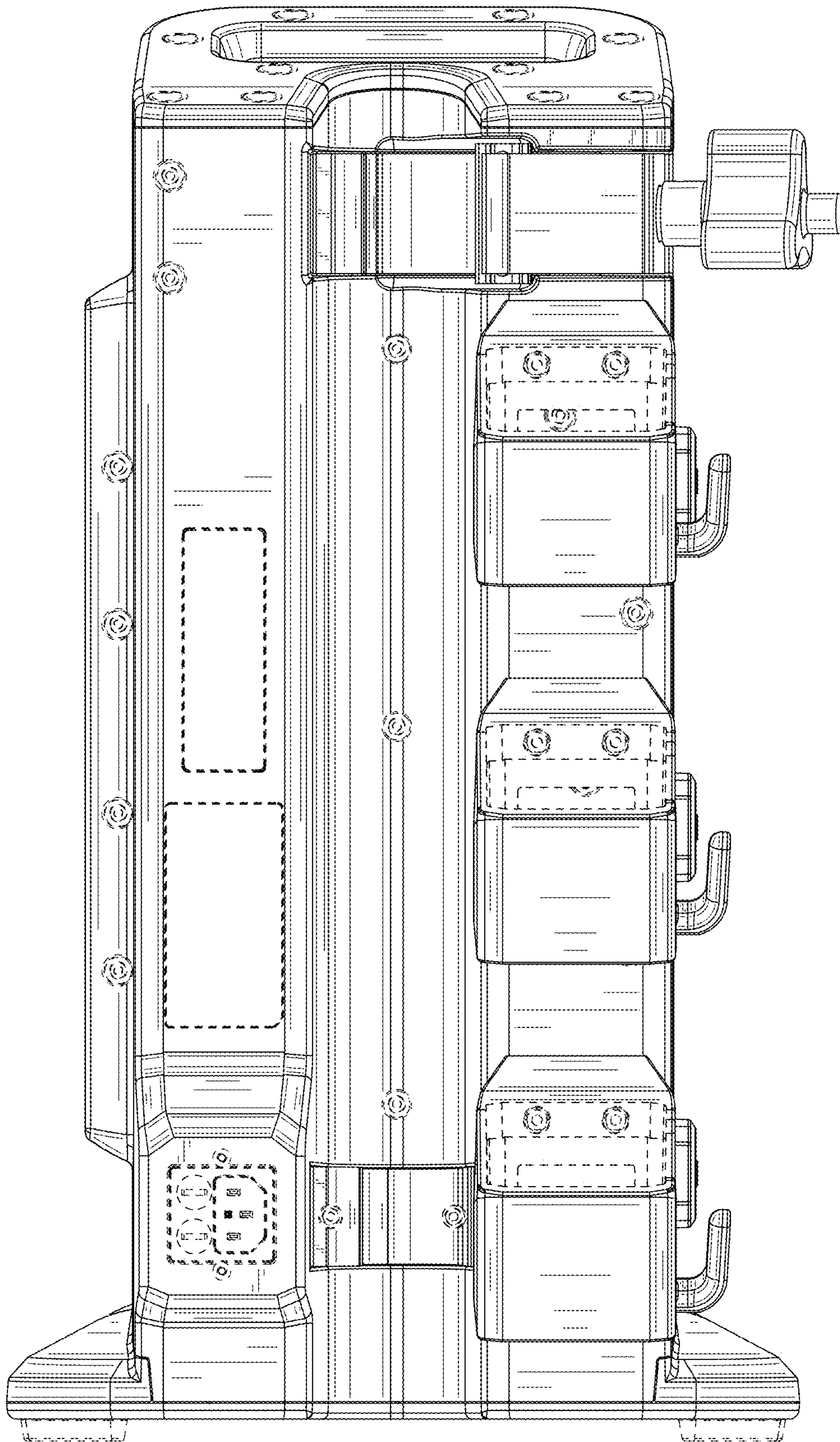


FIG. 3

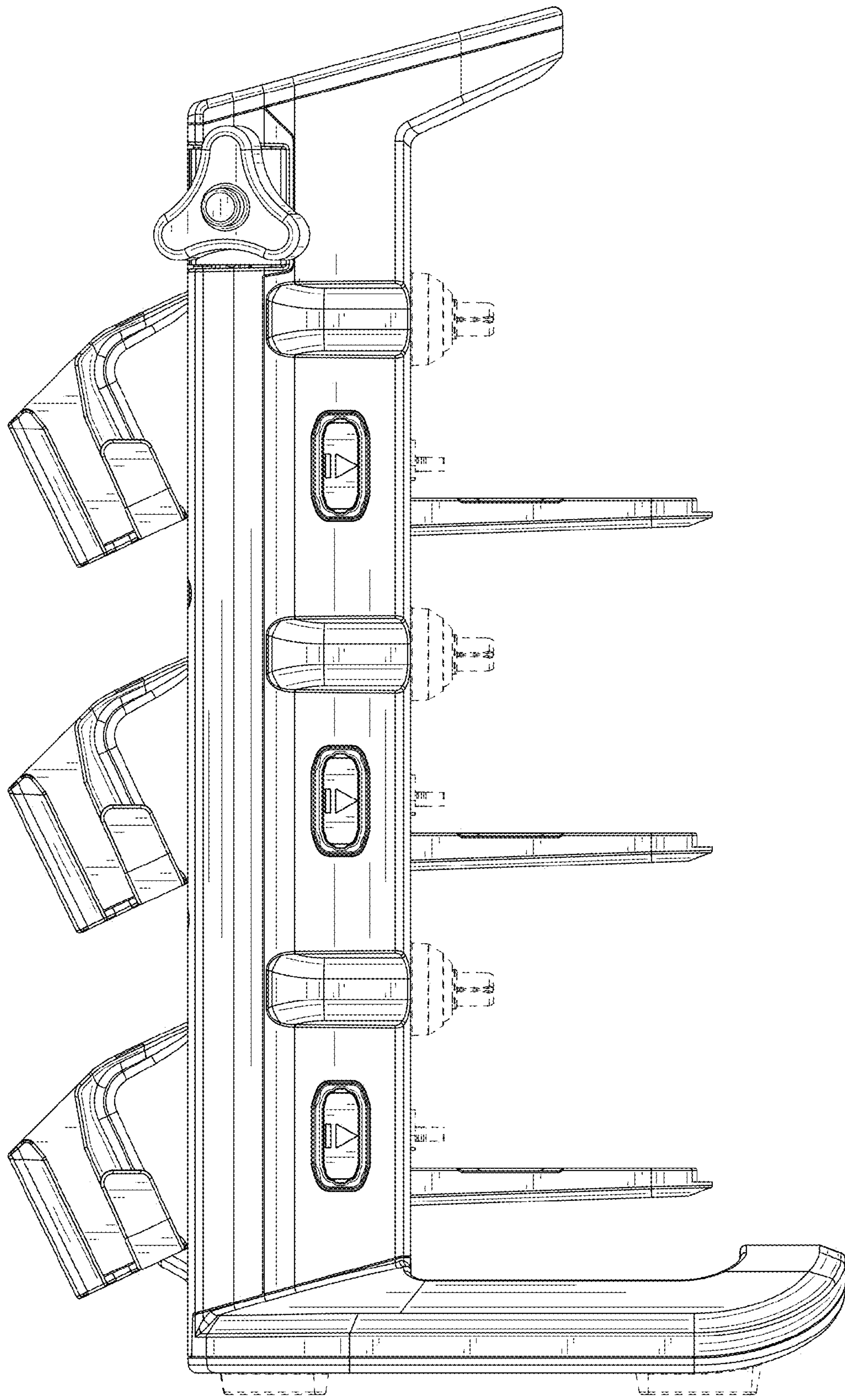


FIG. 4

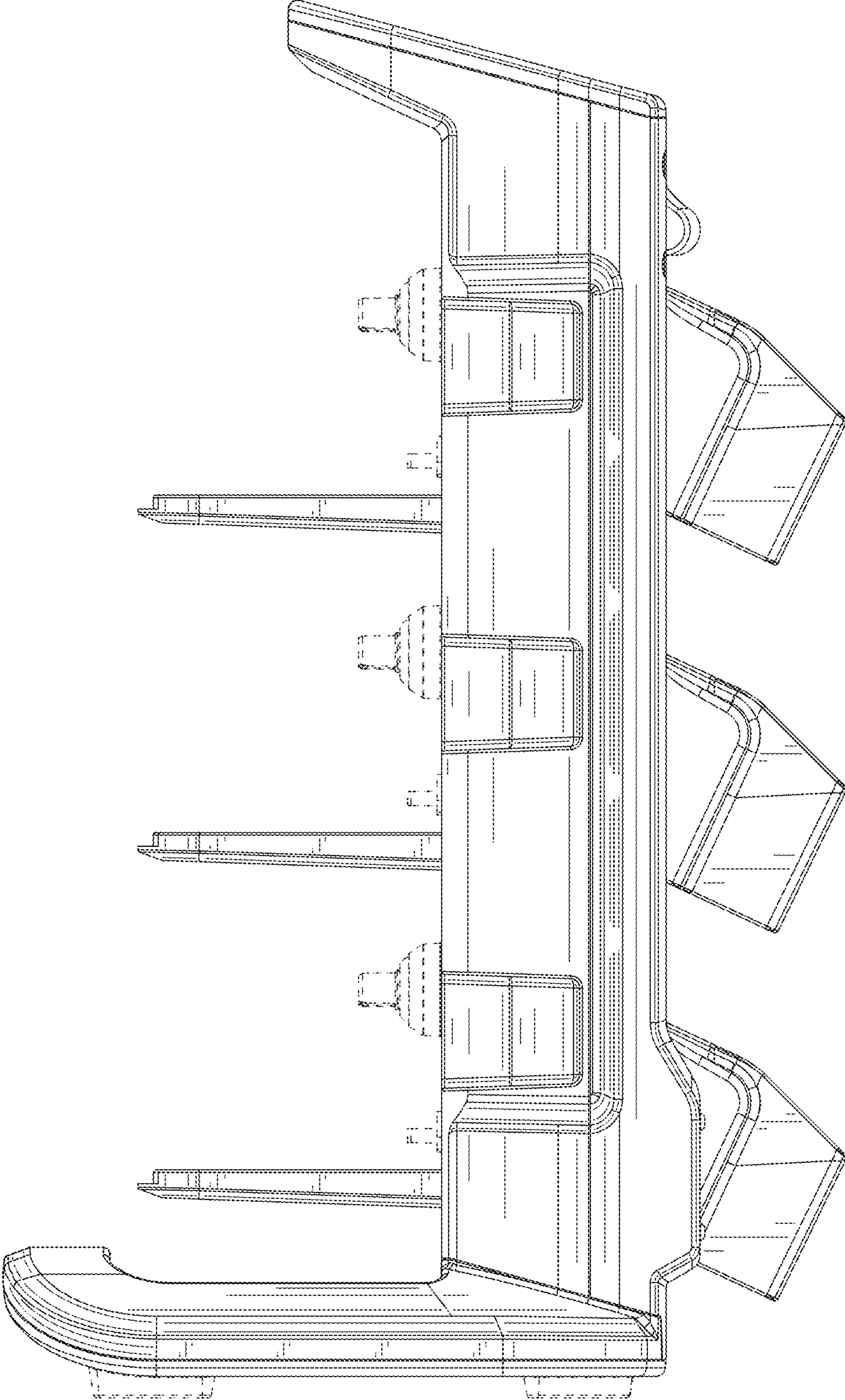


FIG. 5

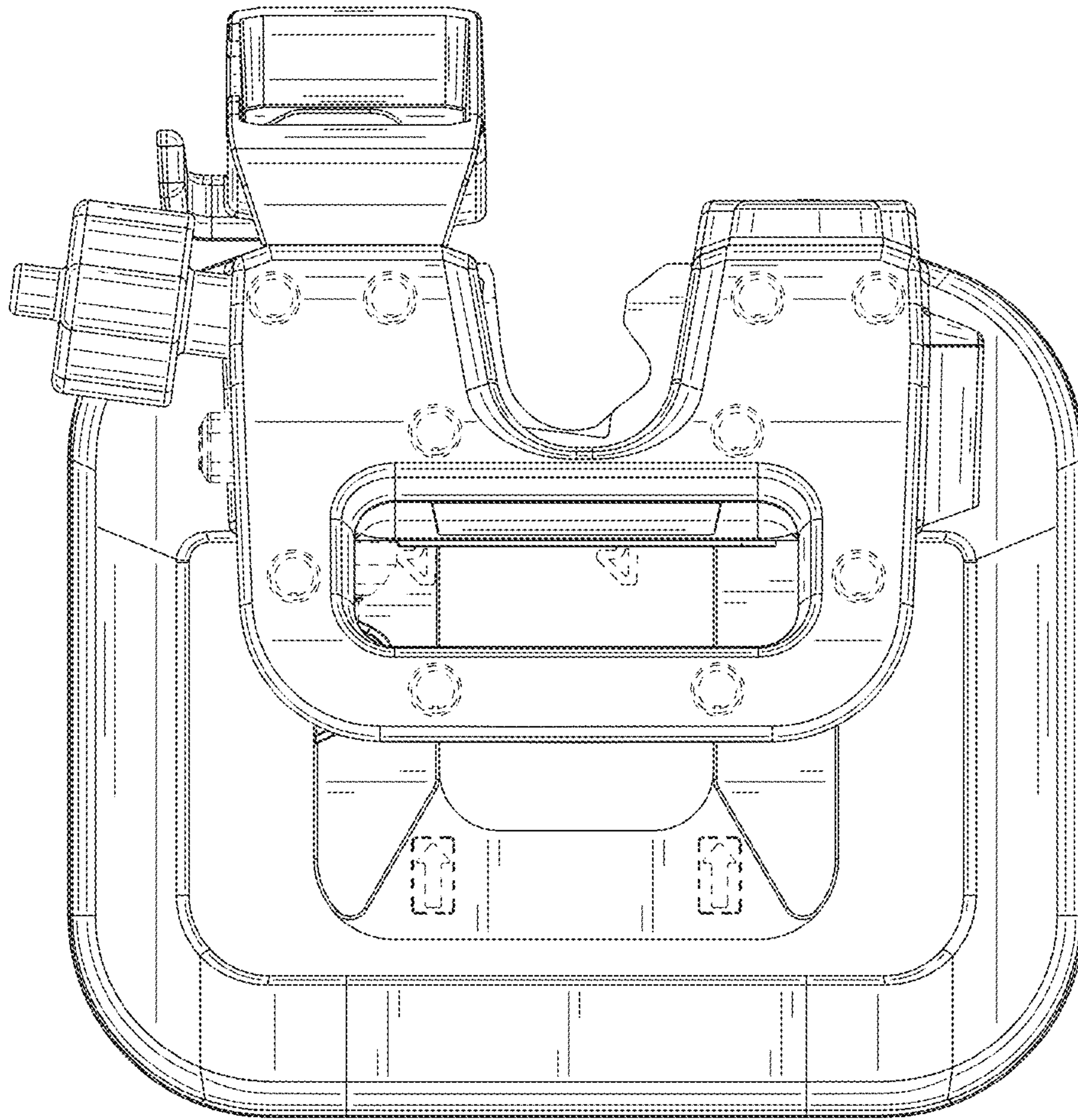


FIG. 6

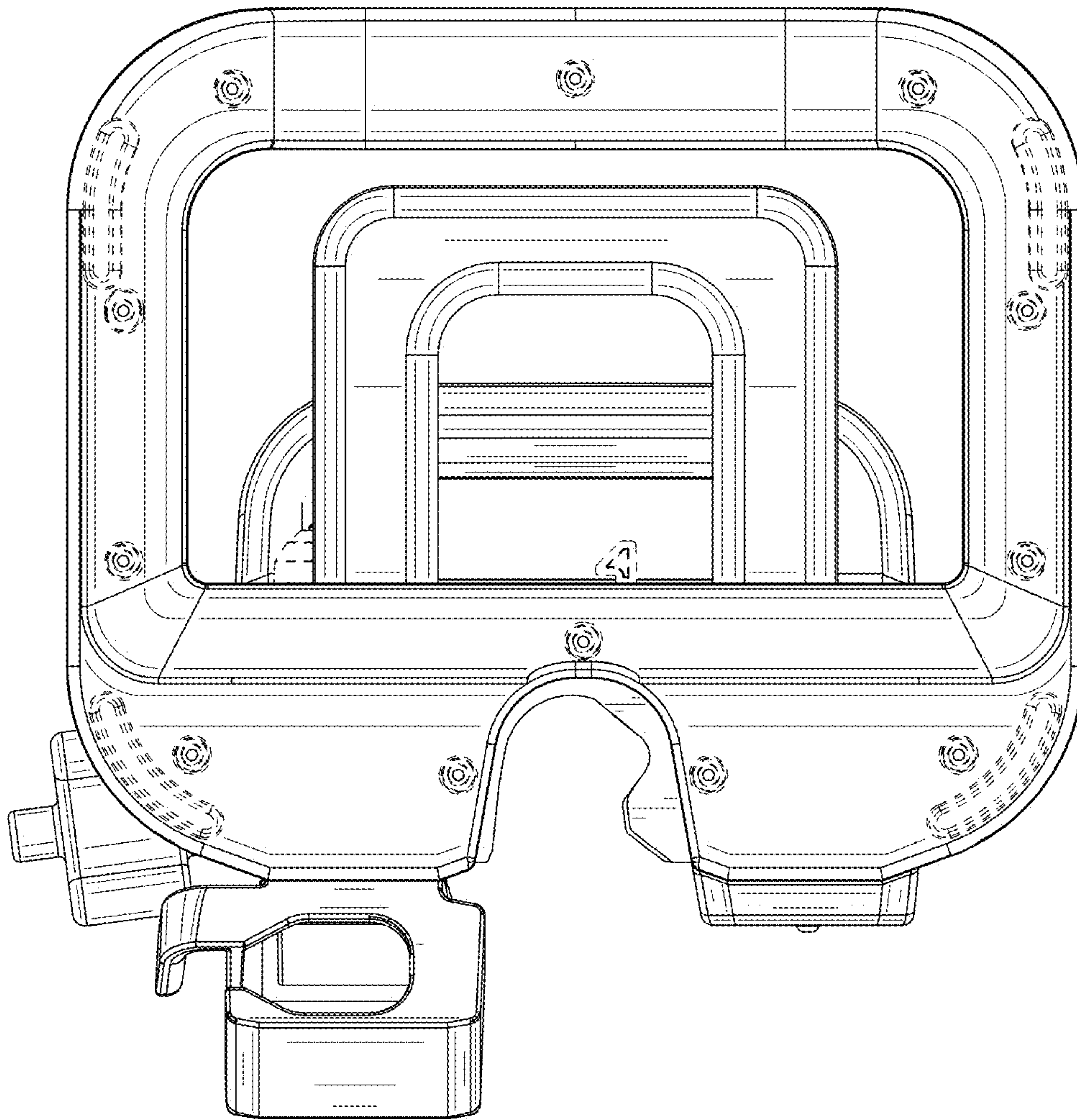


FIG. 7

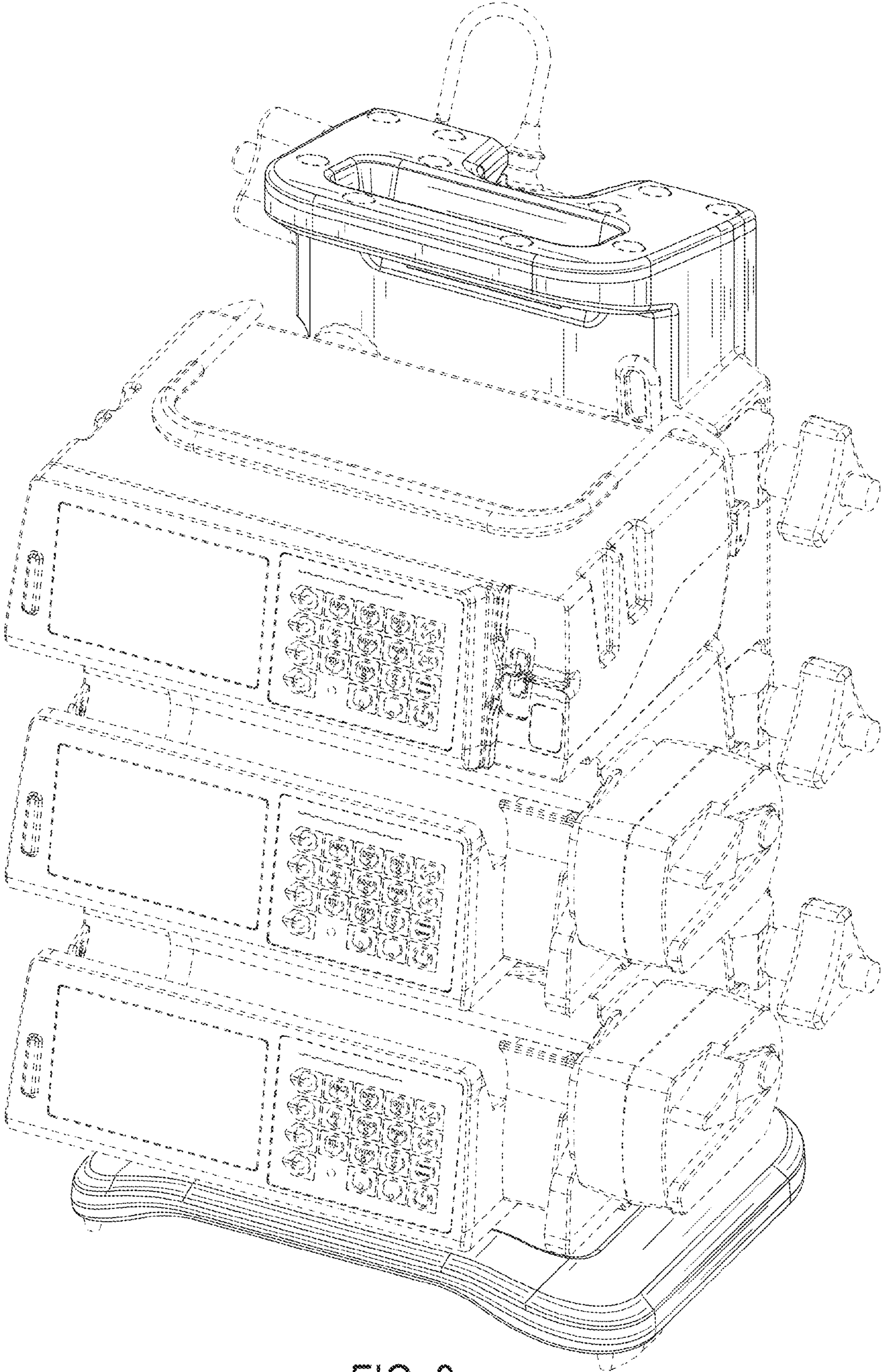


FIG. 8

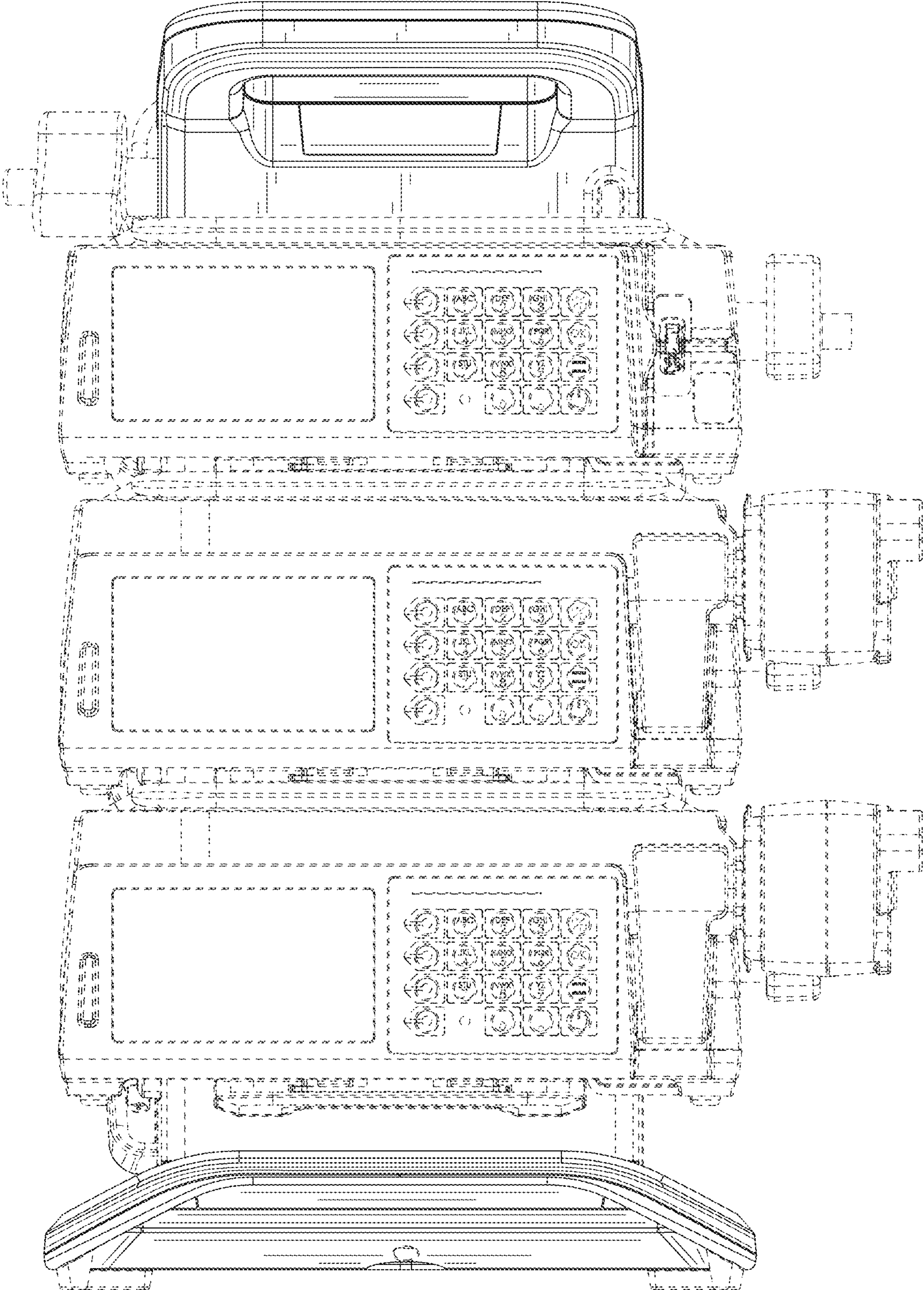


FIG. 9

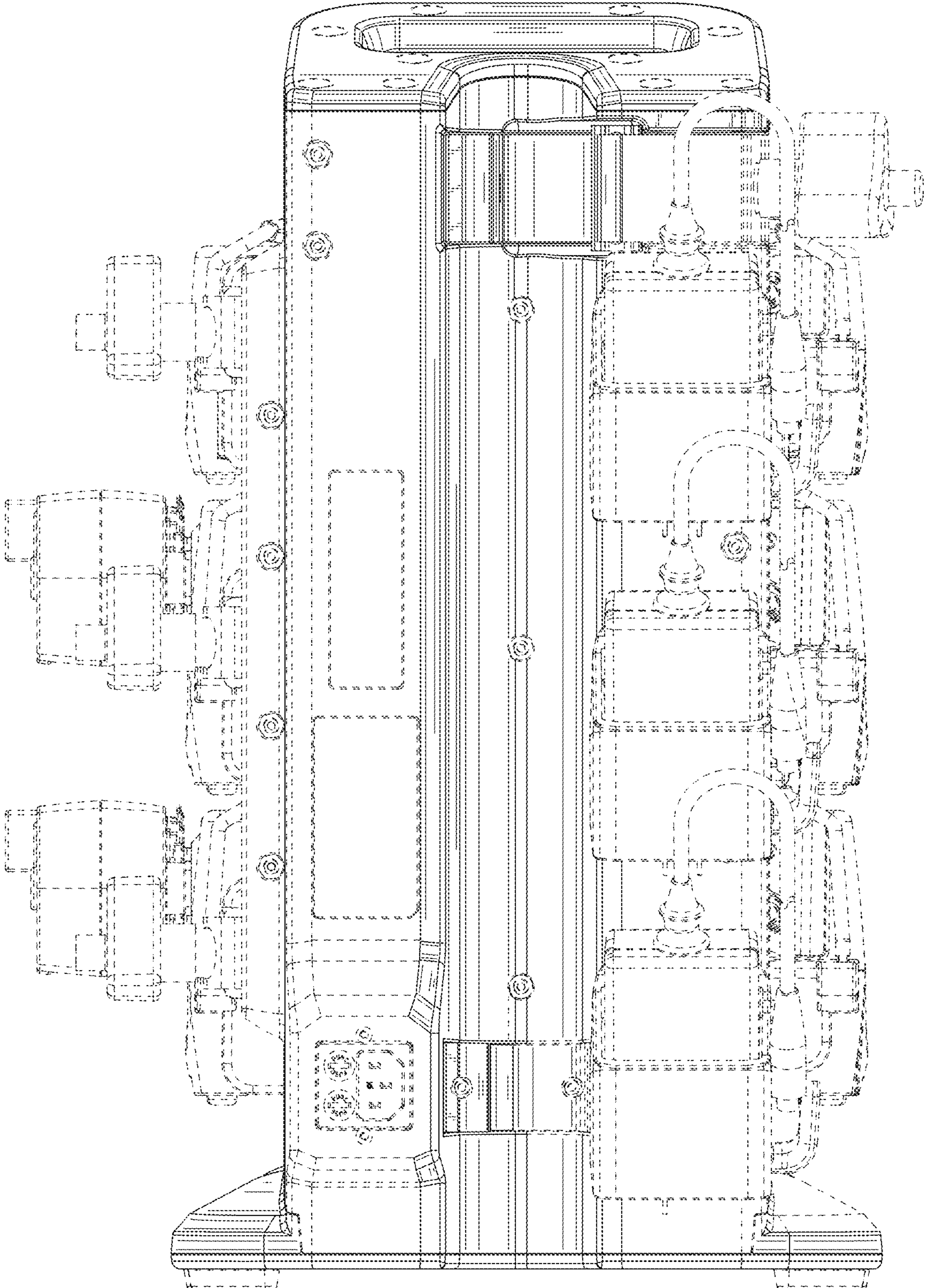


FIG. 10



FIG. 11

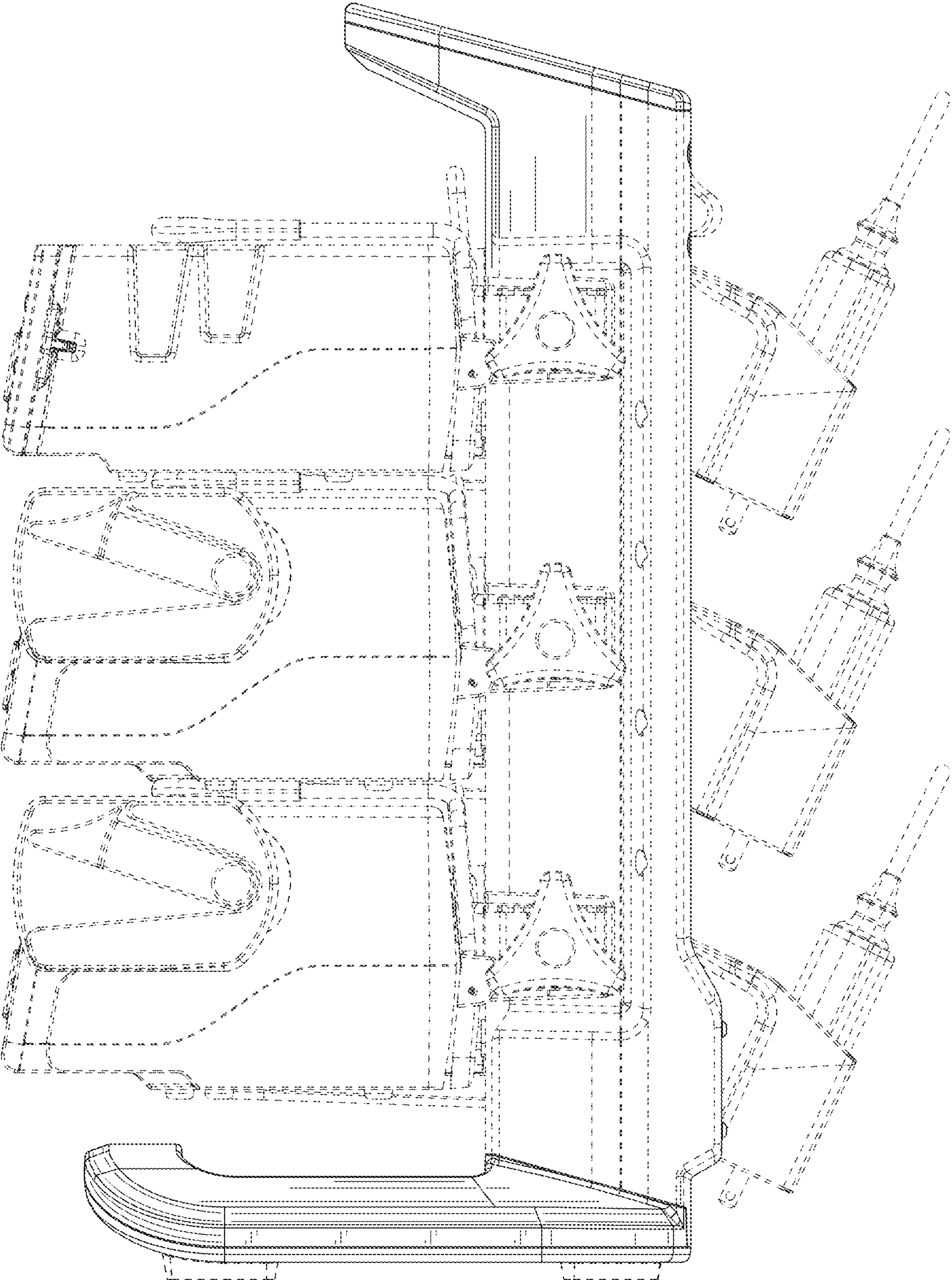


FIG. 12

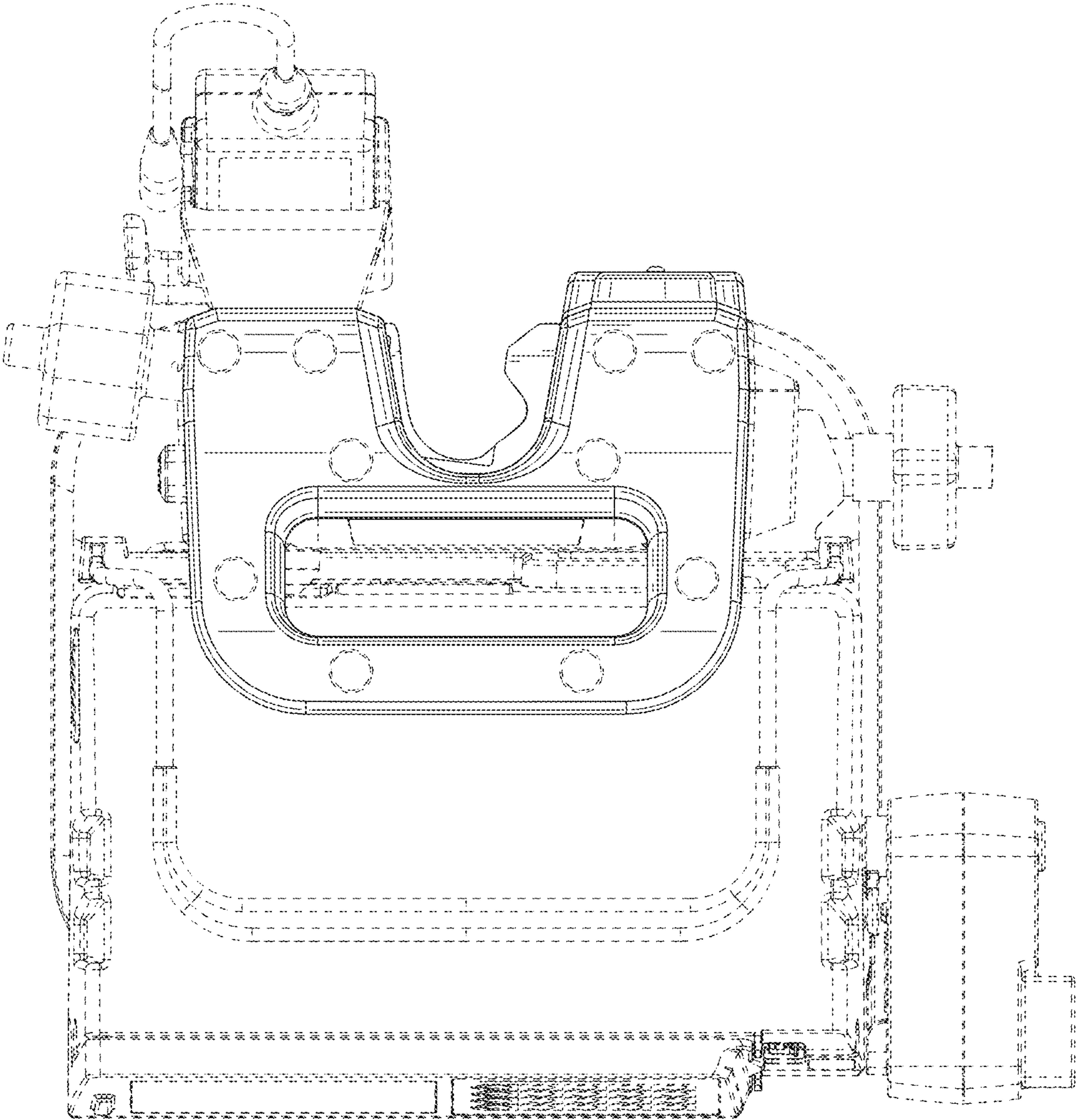


FIG. 13

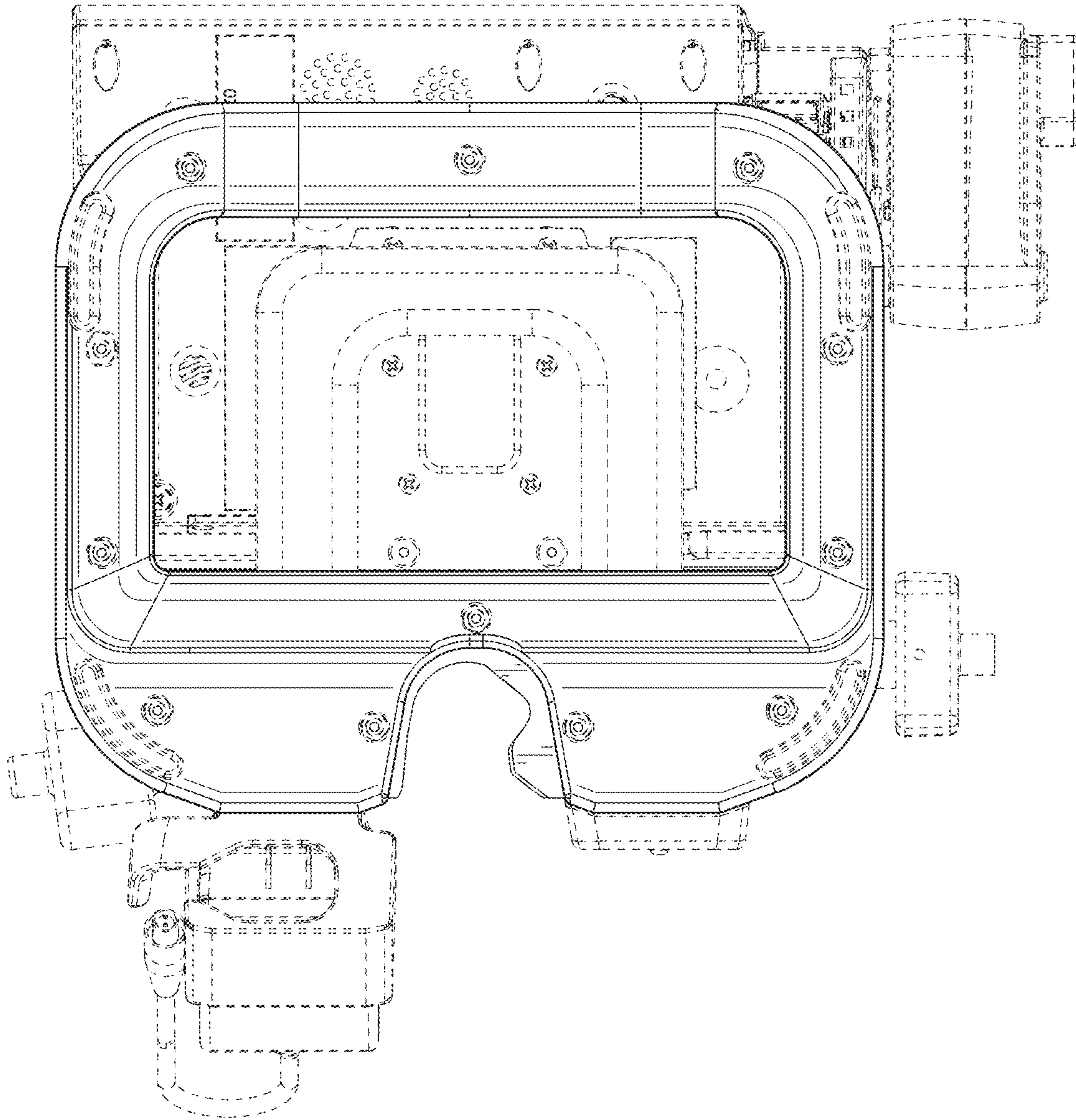


FIG. 14