



US00D989294S

(12) **United States Design Patent**  
**Li et al.**

(10) **Patent No.:** **US D989,294 S**  
(45) **Date of Patent:** **\*\* Jun. 13, 2023**

(54) **NASAL IRRIGATOR**

D950,712 S 5/2022 Li  
2005/0028821 A1\* 2/2005 Wood ..... A61M 16/0833  
128/207.18  
2005/0235999 A1\* 10/2005 Wood ..... A61M 16/0833  
128/207.18

(71) Applicant: **Shanghai Sonmol Internet Technology Co., Ltd.**, Shanghai (CN)

(72) Inventors: **YongXu Li**, Mianyang (CN); **Liang Lv**, Chongqing (CN); **JiGuang Zhang**, Xiangyang (CN)

FOREIGN PATENT DOCUMENTS

EM 015013332-0001 \* 3/2023  
GB 6265713 \* 3/2023

(\*\*) Term: **15 Years**

(21) Appl. No.: **29/871,993**

(22) Filed: **Mar. 3, 2023**

(51) **LOC (14) Cl.** ..... **24-02**

(52) **U.S. Cl.**  
USPC ..... **D24/111**

(58) **Field of Classification Search**  
USPC ..... D24/106, 108, 110, 110.1, 110.4, 110.5,  
D24/111, 121, 127-129, 164, 184, 231  
CPC ..... A61M 16/0683; A61M 16/0875; A61M  
16/0666; A61M 16/0605; A61M 16/0611;  
A61M 16/208; A61M 2205/42; A61M  
2210/0618; A61M 1/772; A61M 11/02;  
A61M 15/08; A61M 3/00; A61M 3/0208;  
A61M 3/0216; A61M 3/022; A61M  
3/0229; A61M 3/0241; A61M 3/0233;  
A61M 3/025; A61M 3/0279; A61M  
31/00; A62B 23/06; A61D 7/00; Y10T  
29/494

See application file for complete search history.

(56) **References Cited**

U.S. PATENT DOCUMENTS

6,241,705 B1\* 6/2001 Ko-Wen ..... A61M 31/00  
604/93.01  
D530,815 S \* 10/2006 Murphy ..... D24/111  
D533,269 S \* 12/2006 McAuley ..... D24/110.6  
D612,933 S \* 3/2010 Prentice ..... D24/110.4  
D687,539 S \* 8/2013 Matula ..... D24/110.1  
D739,930 S \* 9/2015 Takenouchi ..... D24/111  
9,440,020 B2\* 9/2016 Flickinger ..... A61M 11/06  
D950,711 S \* 5/2022 Li ..... D24/111

OTHER PUBLICATIONS

Navage Nasal Care. Oct. 27, 2015. Site visited Mar. 22, 2023.  
[https://www.amazon.com/Navage-Nasal-Irrigation-Basic-Bundle/  
dp/B01787L6QY/ref=sr\_1\_1\_sspa?crd=70TFBSCAPOBC  
&keywords=nasal+irrigator&qid=1679519235&s=hpc&sprefix=  
nasal+irrigato%2Chpc%2C223&sr=1-1-spons&psc=1&spLa=ZW5jc  
nlwdGVkUXVhbGlmaWVyPUEwVUg5NUhMQU1SNTRDJmVuY  
3J5cHRIZEIkPUEwMjY0ODAxMzM3TUQ0VU1MRTdCRiZlbn  
NyeXB0ZWRBZEIkPUEwNzUwODUwROs2R0ZMSktNMFRZJn  
dpZGdlldE5hbWU9c3BfYXRmJmFjdGlvbj1jbGlja1JIZGIyZWV0J  
mRvTm90TG9nQ2xpY2s9dHJ1ZQ==] (Year: 2015).\*

\* cited by examiner

*Primary Examiner* — Wendy L Arminio  
*Assistant Examiner* — Maheen Khurshid

(57) **CLAIM**

The ornamental design for a nasal irrigator, as shown and described.

**DESCRIPTION**

FIG. 1 is a front and top perspective view of a nasal irrigator, showing our new design;  
FIG. 2 is a rear and bottom perspective view thereof;  
FIG. 3 is a front elevation view thereof;  
FIG. 4 is a rear elevation view thereof;  
FIG. 5 is a left side elevation view thereof;  
FIG. 6 is a right side elevation view thereof;  
FIG. 7 is a top plan view thereof;  
FIG. 8 is a bottom plan view thereof; and,

(Continued)

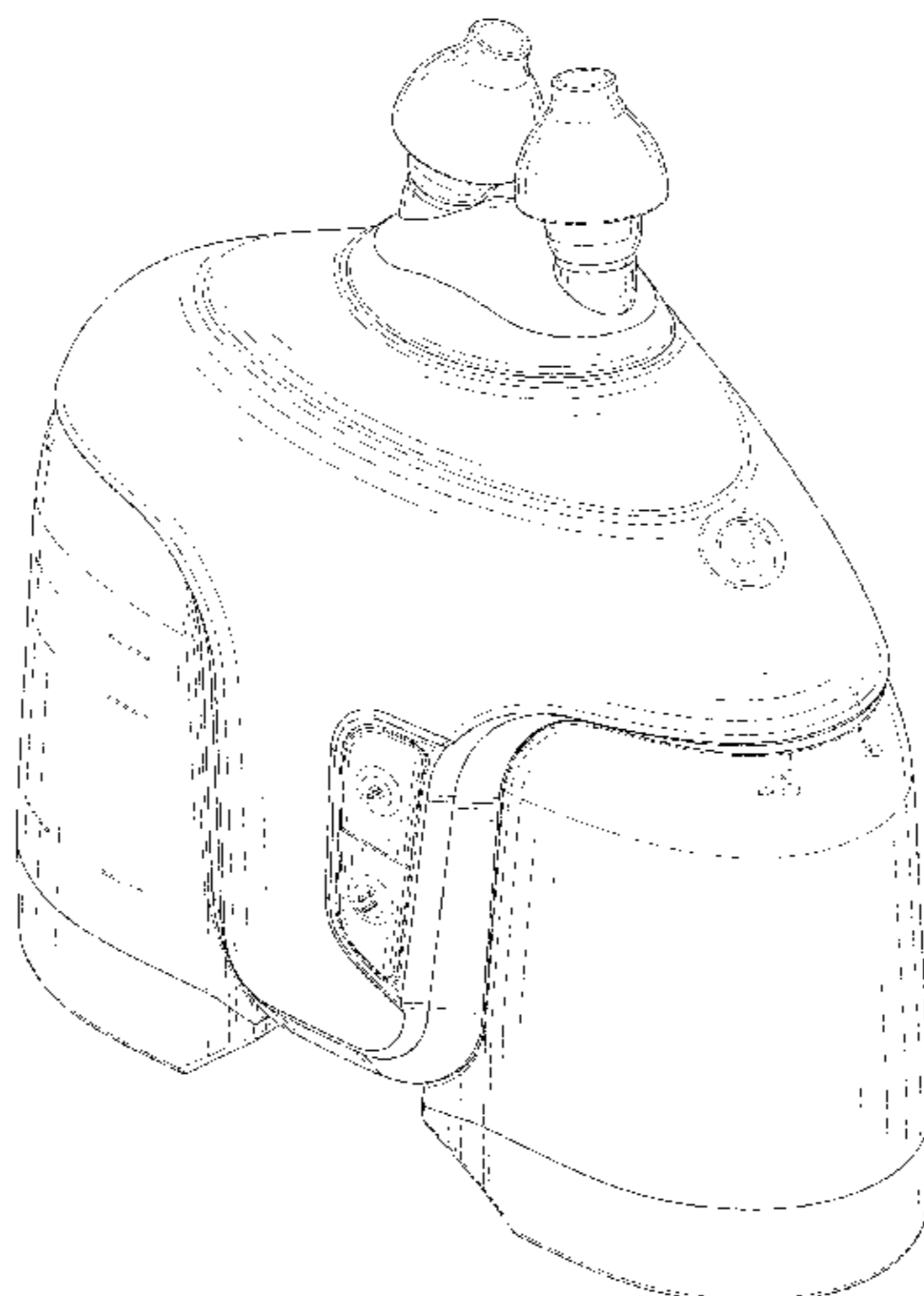


FIG. 9 is an enlarged perspective view of detail "9" identified in FIG. 2.

The dash lines in the figures illustrate portions of the nasal irrigator that form no part of the claimed design. The dash dot dash lines in FIGS. 2 and 9 are for the purpose of illustrating the enlarged view indicators and form no part of the claimed design.

**1 Claim, 9 Drawing Sheets**

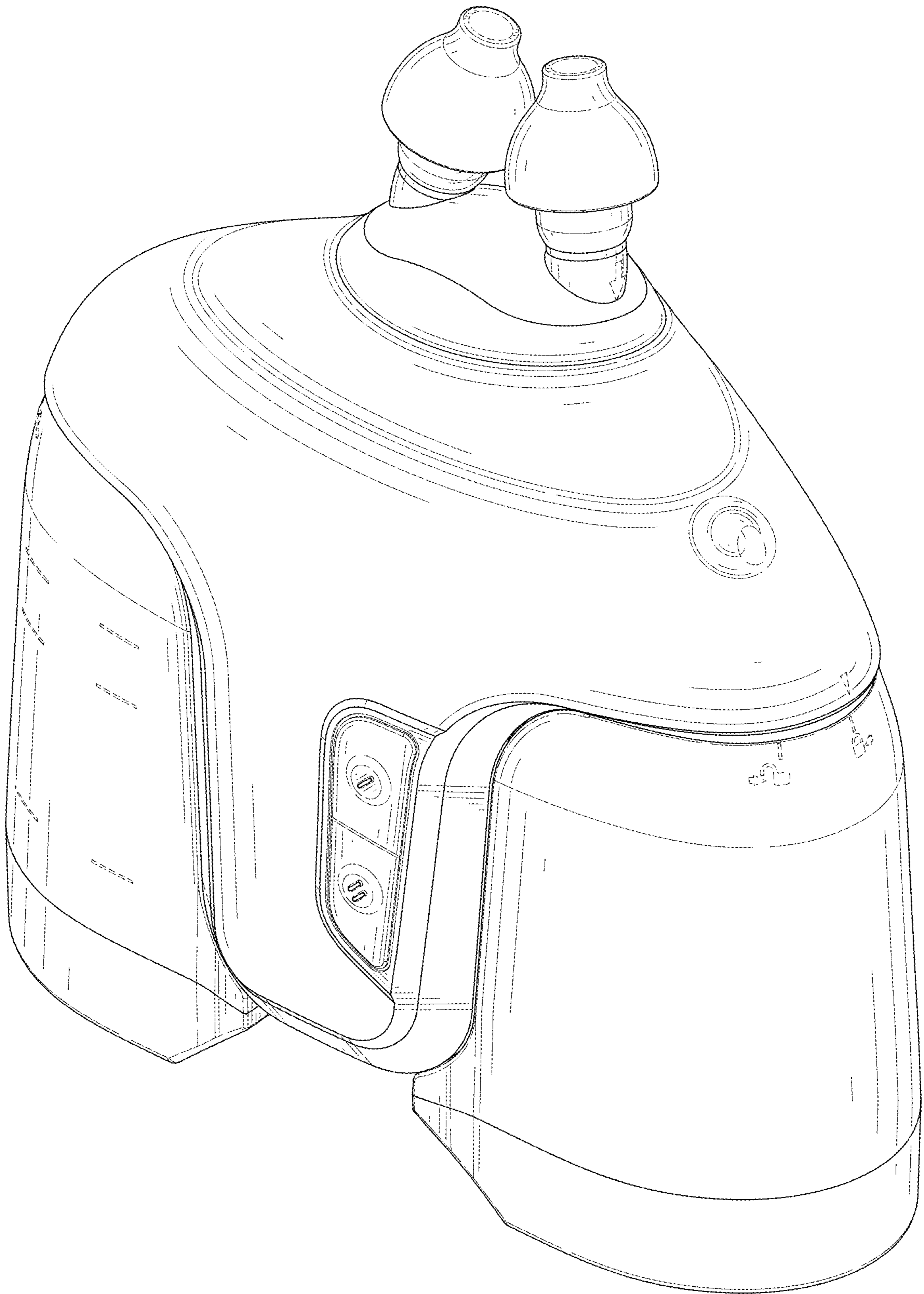


FIG. 1

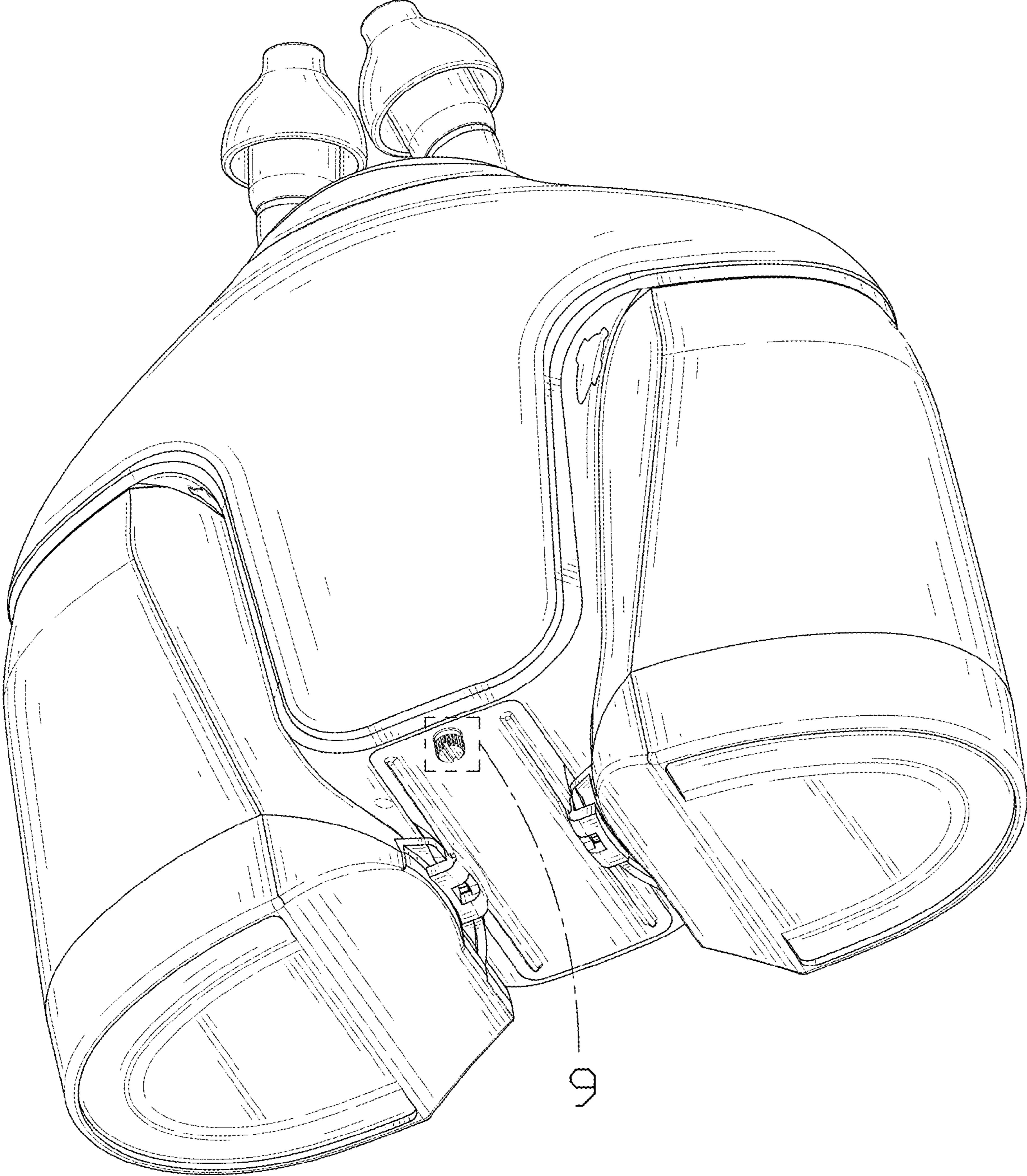


FIG. 2

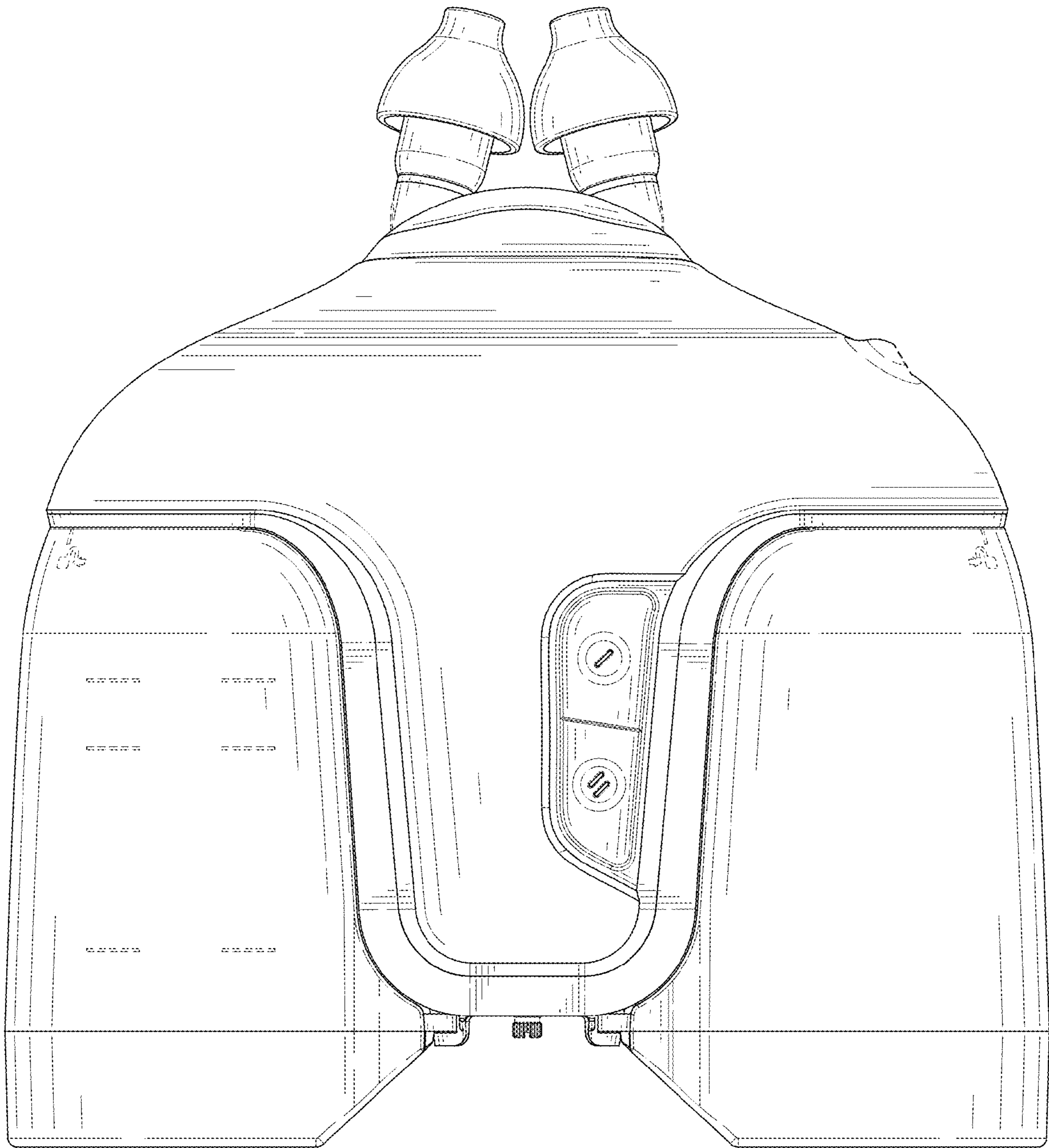


FIG. 3

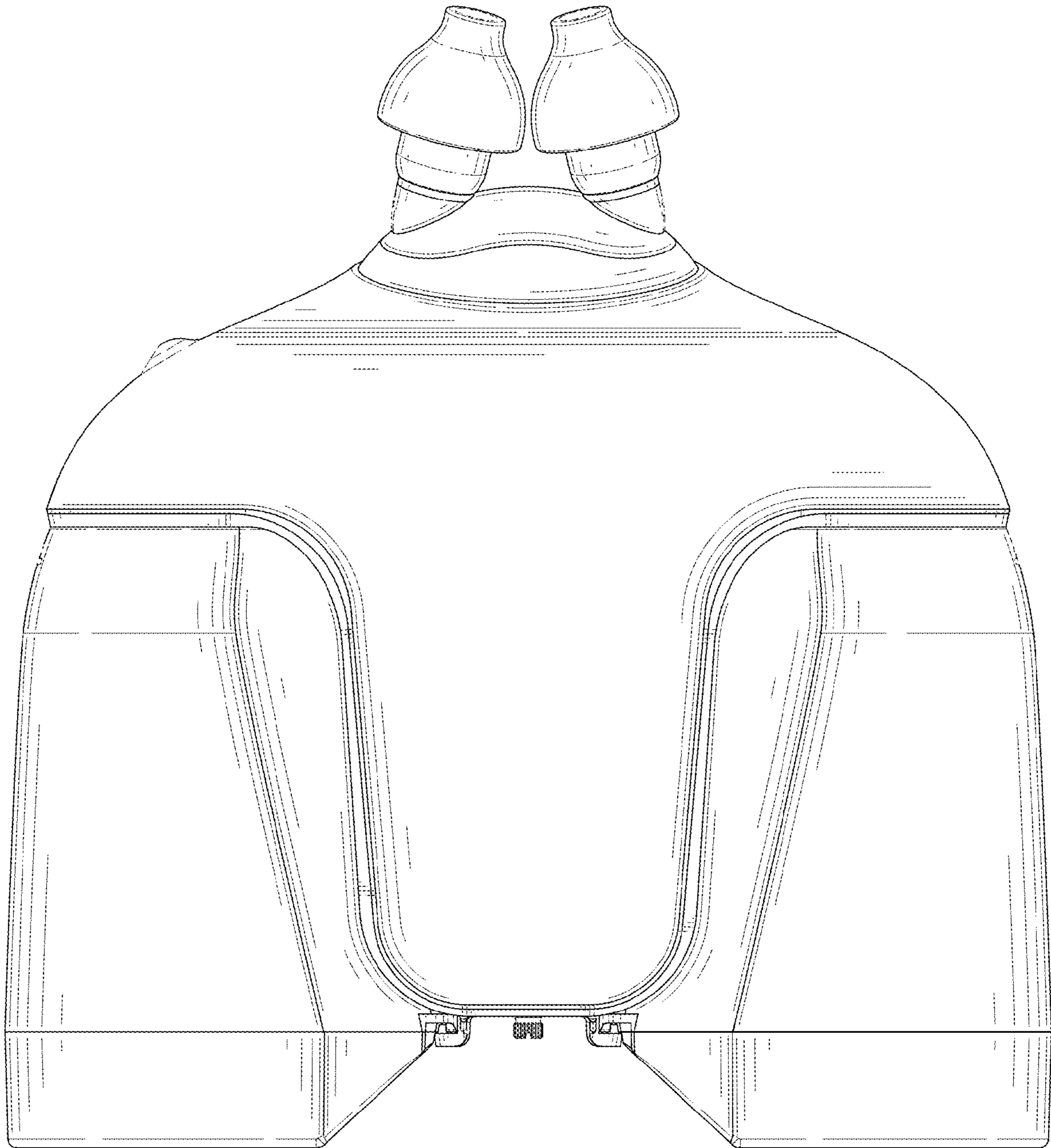


FIG. 4

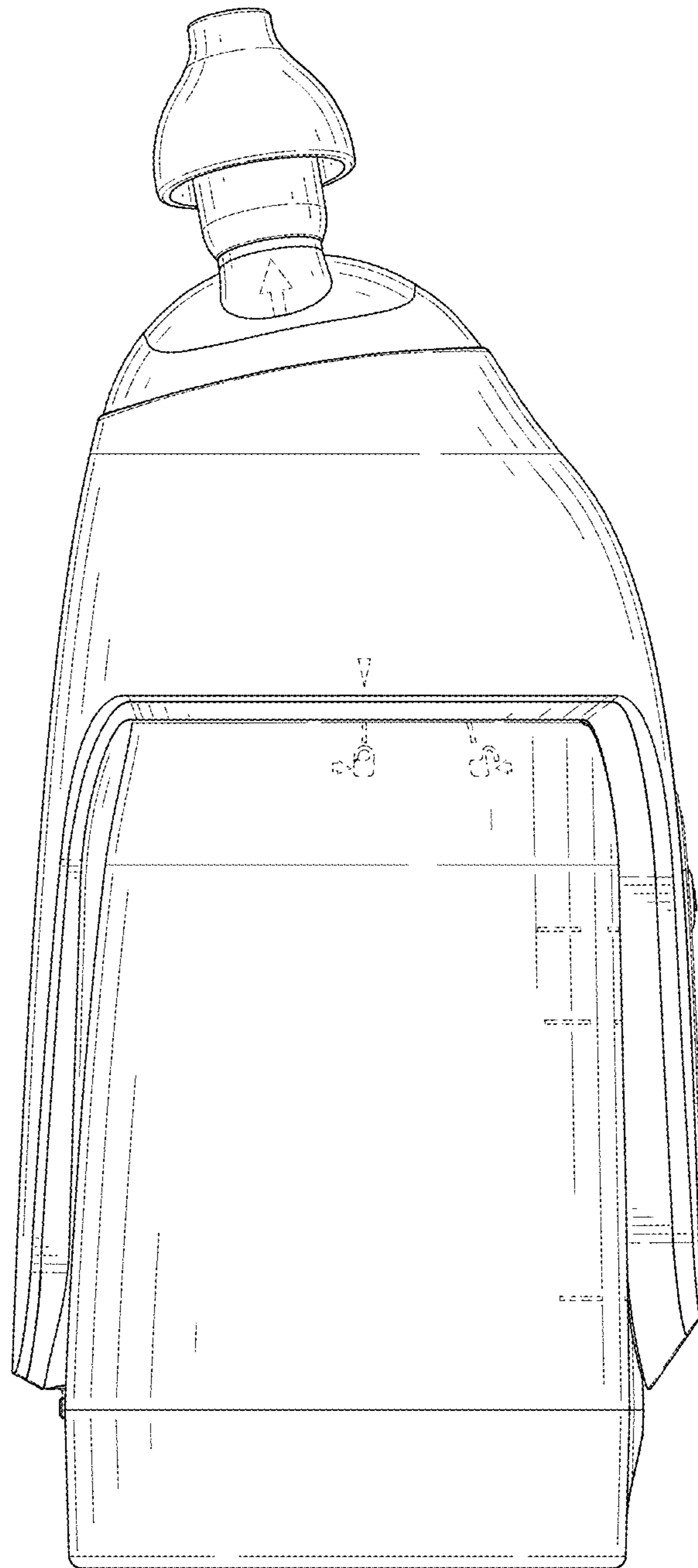


FIG. 5

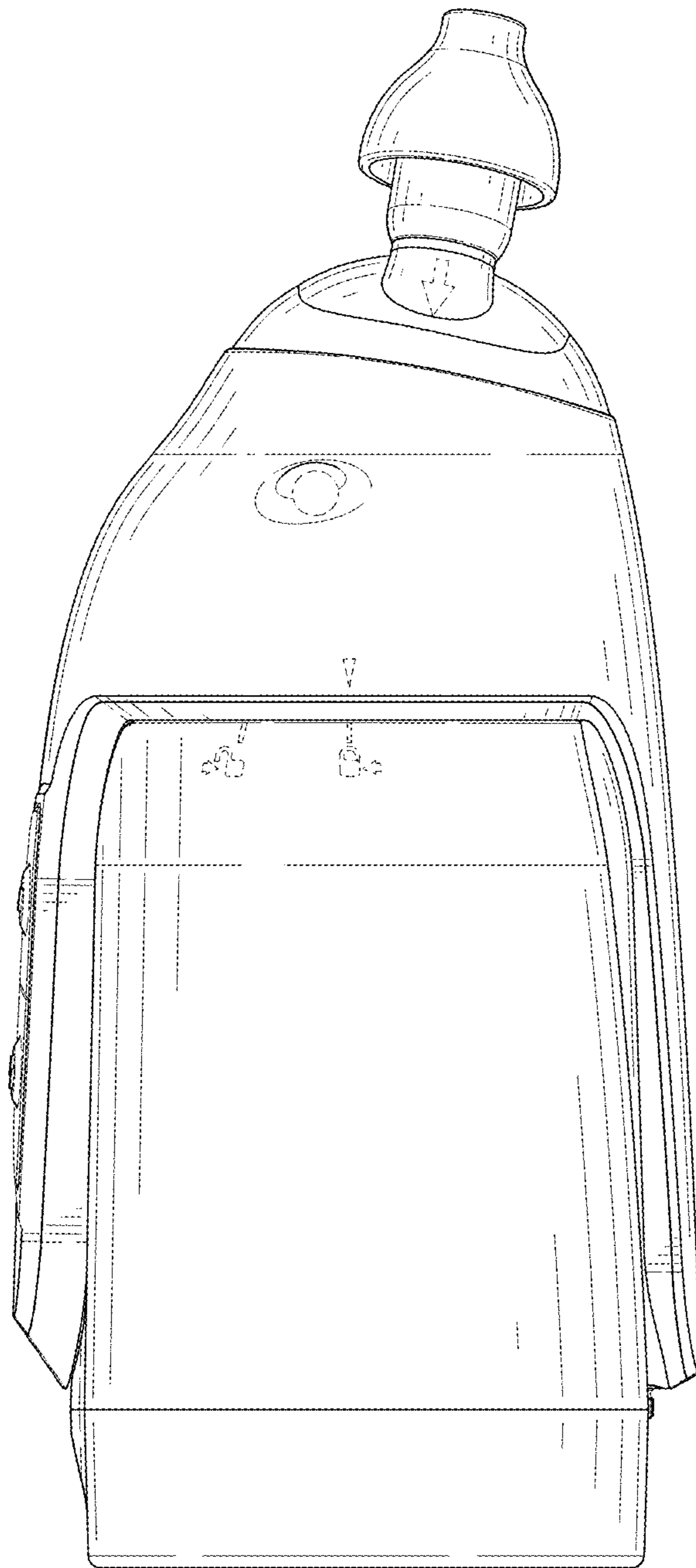


FIG. 6



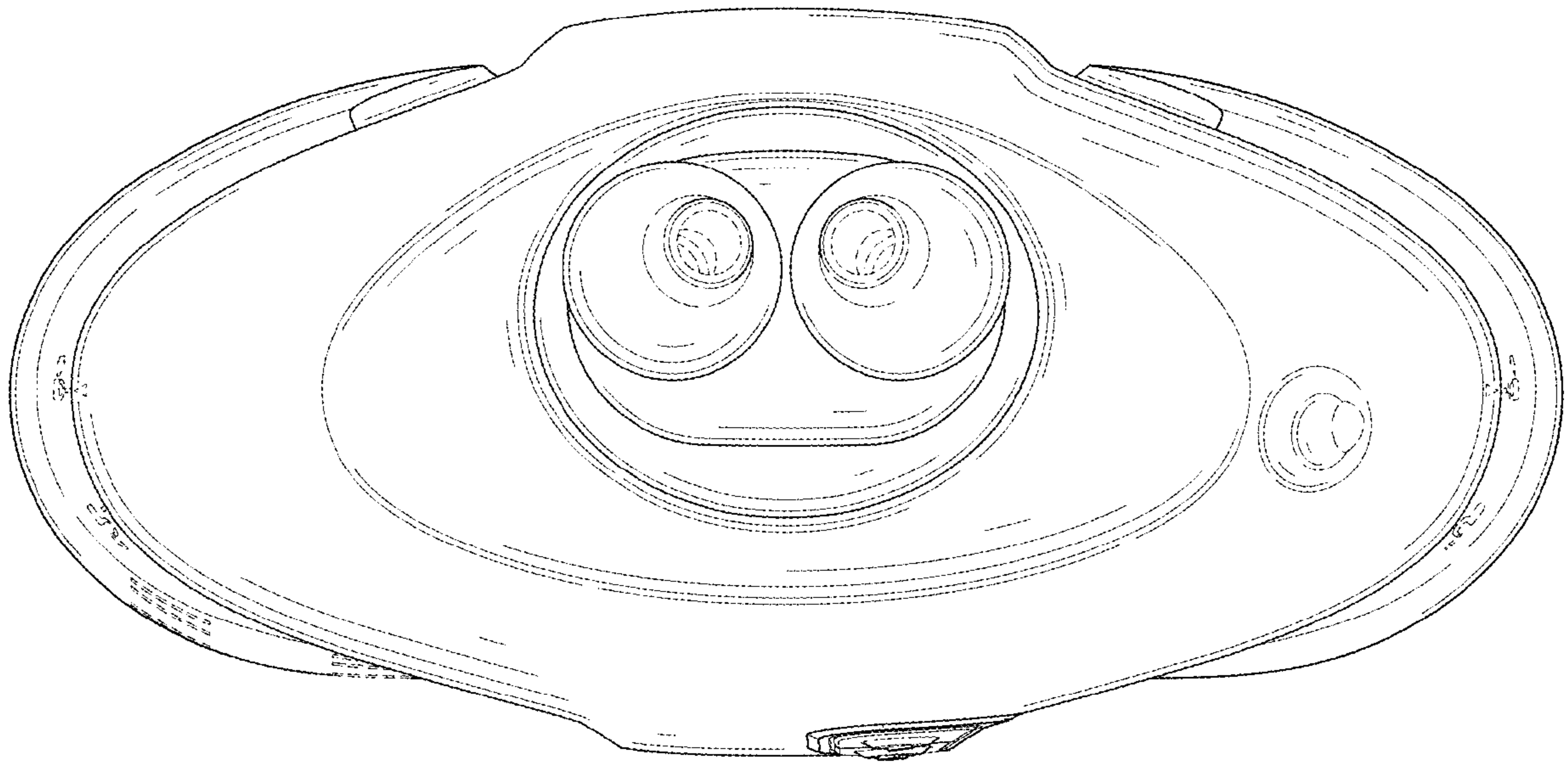


FIG. 7

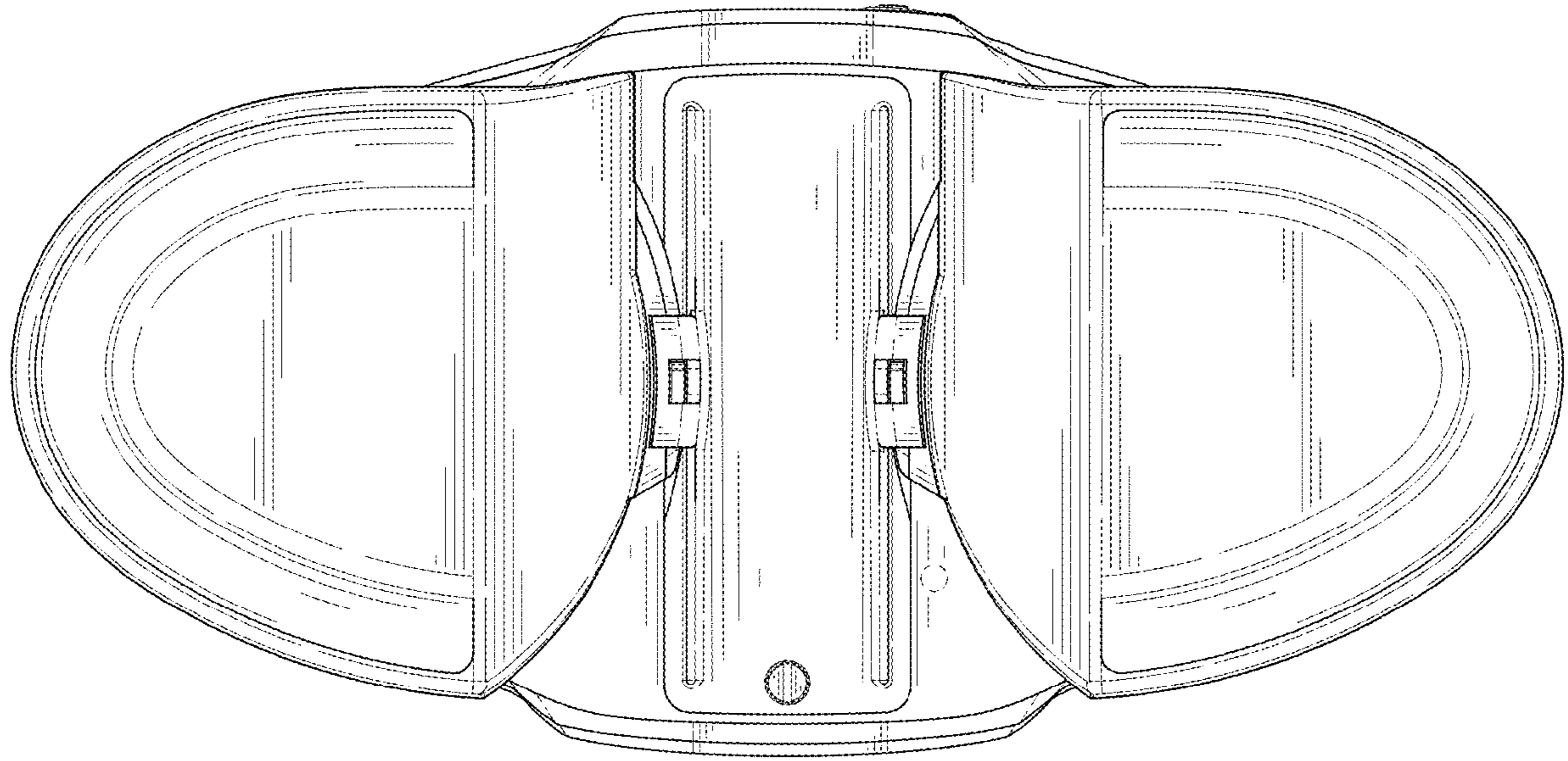


FIG. 8

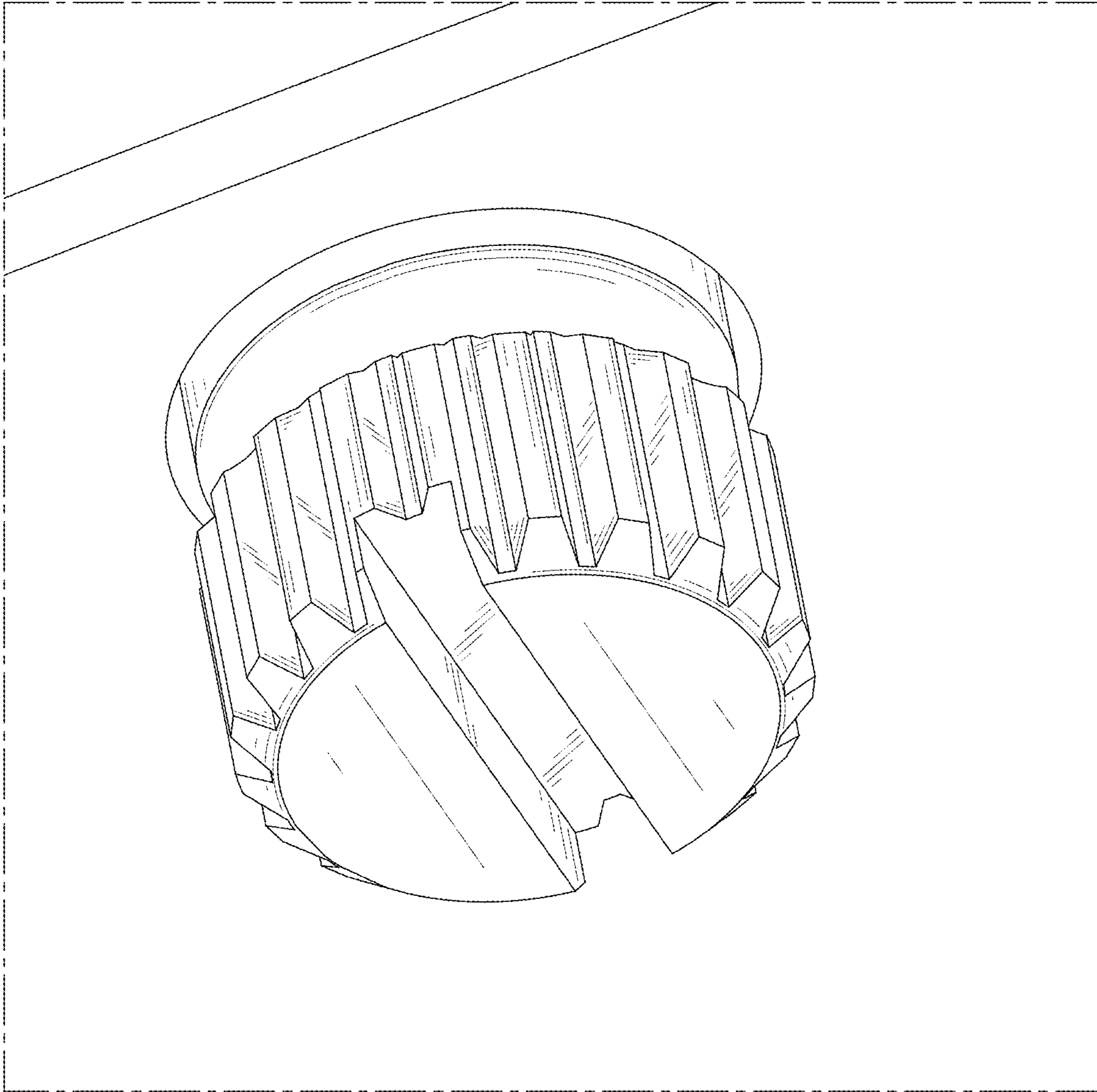


FIG. 9