



US00D989292S

(12) **United States Design Patent**
Quensel et al.

(10) **Patent No.:** **US D989,292 S**
(45) **Date of Patent:** **** Jun. 13, 2023**

(54) **SYRINGE PUMP**

FOREIGN PATENT DOCUMENTS

(71) Applicants: **BAXTER INTERNATIONAL INC.**,
Deerfield, IL (US); **BAXTER**
HEALTHCARE SA, Glattpark (CH)

CN 302552985 * 8/2013
CN 304963617 * 12/2018
GB 6152736 * 8/2021

(72) Inventors: **Ulf Quensel**, Ystad (SE); **Steven Pippin**, Libertyville, IL (US); **Jiri Slaby**, Buffalo Grove, IL (US); **Mark Andrew Luzbetak**, Kildeer, IL (US); **Aaron Hexamer**, Grayslake, IL (US); **Kevin Boron**, Chicago, IL (US); **Louise Annabel Hodgson**, Libertyville, IL (US); **Roberto Cuevas**, Twin Lakes, WI (US); **Jing Li**, Libertyville, IL (US); **Erika Delisle**, Chicago, IL (US)

OTHER PUBLICATIONS

Syringe Pump, AMPall, Philippine Medical Supply, [Post date: Jul. 8, 2017], [Site seen Aug. 17, 2022], Seen at URL: <https://philmedicalsupplies.com/product/syringe-pump-ampall/> (Year: 2017).*

(Continued)

Primary Examiner — Natasha Vujcic

Assistant Examiner — Gilbert B Ford

(74) *Attorney, Agent, or Firm* — K&L Gates LLP

(73) Assignees: **BAXTER INTERNATIONAL INC.**,
Deerfield, IL (US); **BAXTER**
HEALTHCARE SA, Glattpark (CH)

(57) **CLAIM**

We claim, the ornamental design for a syringe pump, as shown and described.

(**) Term: **15 Years**

DESCRIPTION

(21) Appl. No.: **29/769,500**

(22) Filed: **Feb. 5, 2021**

(51) **LOC (14) Cl.** **24-02**

(52) **U.S. Cl.**
USPC **D24/111**

(58) **Field of Classification Search**
USPC D24/107–108, 111, 169, 185–186, 102;
D7/384, 413

(Continued)

FIG. 1 illustrates a perspective view of a syringe pump.

FIG. 2 illustrates a front view of the syringe pump shown in FIG. 1.

FIG. 3 illustrates a right side view of the syringe pump shown in FIG. 1.

FIG. 4 illustrates a left side view of the syringe pump shown in FIG. 1.

FIG. 5 illustrates a rear view of the syringe pump shown in FIG. 1.

FIG. 6 illustrates a top view of the syringe pump shown in FIG. 1; and,

FIG. 7 illustrates a bottom view of the syringe pump shown in FIG. 1.

The broken lines in the drawings illustrate portions of the syringe pump and form no part of the claimed design. Additionally, the syringe pump is not limited to the scale shown herein.

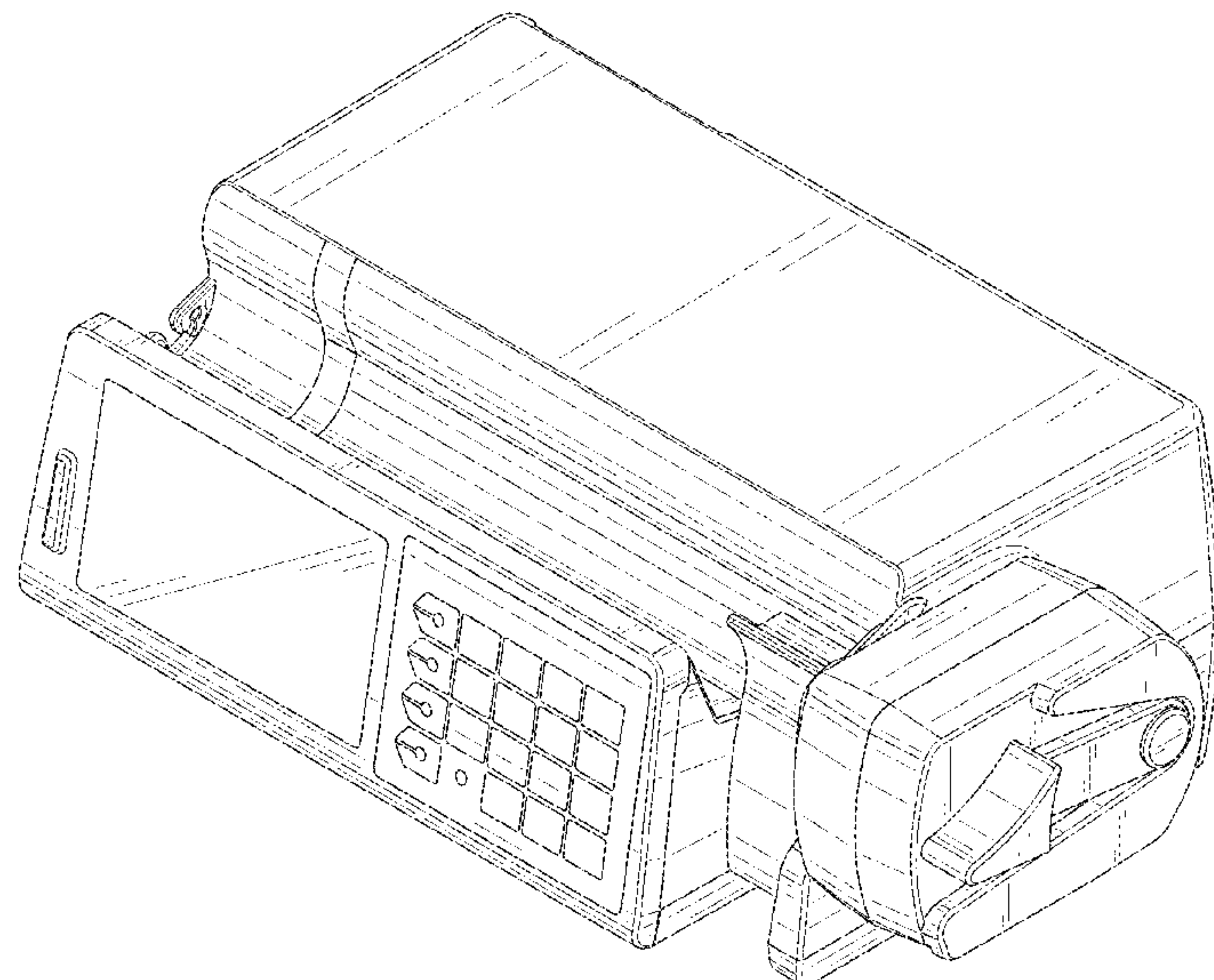
(56) **References Cited**

U.S. PATENT DOCUMENTS

D679,379 S * 4/2013 Katsura D24/111
8,998,856 B2 * 4/2015 Eggert A61M 5/19
604/191

(Continued)

1 Claim, 7 Drawing Sheets



(58) **Field of Classification Search**

CPC A61M 5/142; A61M 2205/502; A61M 5/1452; A61M 2205/505; A01K 39/04

See application file for complete search history.

2019/0351138 A1* 11/2019 Bhandar A61M 5/16813
2020/0353157 A1* 11/2020 Slaby A61M 5/142
2021/0151160 A1* 5/2021 Song A61M 5/16804

OTHER PUBLICATIONS

(56)

References Cited

U.S. PATENT DOCUMENTS

D803,386 S * 11/2017 Sabin D24/108
D823,456 S * 7/2018 Lacy D24/111
D828,547 S * 9/2018 Lacy D24/111
D846,735 S * 4/2019 Sanborn D24/111
D905,228 S * 12/2020 Shauver D24/111
D914,195 S * 3/2021 Gray D24/111
D914,196 S * 3/2021 Gray D24/111
D914,197 S * 3/2021 Gray D24/111
D939,079 S * 12/2021 Harris D24/111
D943,732 S * 2/2022 Shauver D24/108
D948,042 S * 4/2022 Bridgers D24/170
2019/0351132 A1* 11/2019 Pippin A61M 5/16831

Syringe Pump, LifePlus Medical, [Post date: unknown], [Site seen Aug. 17, 2022], Seen at URL: <https://lifeplusmedical.co.in/products/lifeplus-portable-syringe-infusion-pump> (Year: 2022).*

Medfusion 3500 Syringe Pump, Medfusion, Bemesonline, [Post date unknown], [Site seen on Aug. 17, 2022], Seen at URL: <https://www.bemesonline.com/medfusion-3500-syringe-pump-refurbished/> (Year: 2022).*

Baxter Corporation, "Baxter Canada Announces First Regulatory Approval of New Novum IQ Infusion Platform"; Nov. 12, 2020; <<https://www.newswire.ca/news-releases/baxter-canada-announces-first-regulatory-approval-of-new-novum-iq-infusion-platform-896074117.html>>.

Preliminary Rejection dated May 25, 2022, Korean Application No. 30-2021-0036887, pp. 1-3.

* cited by examiner

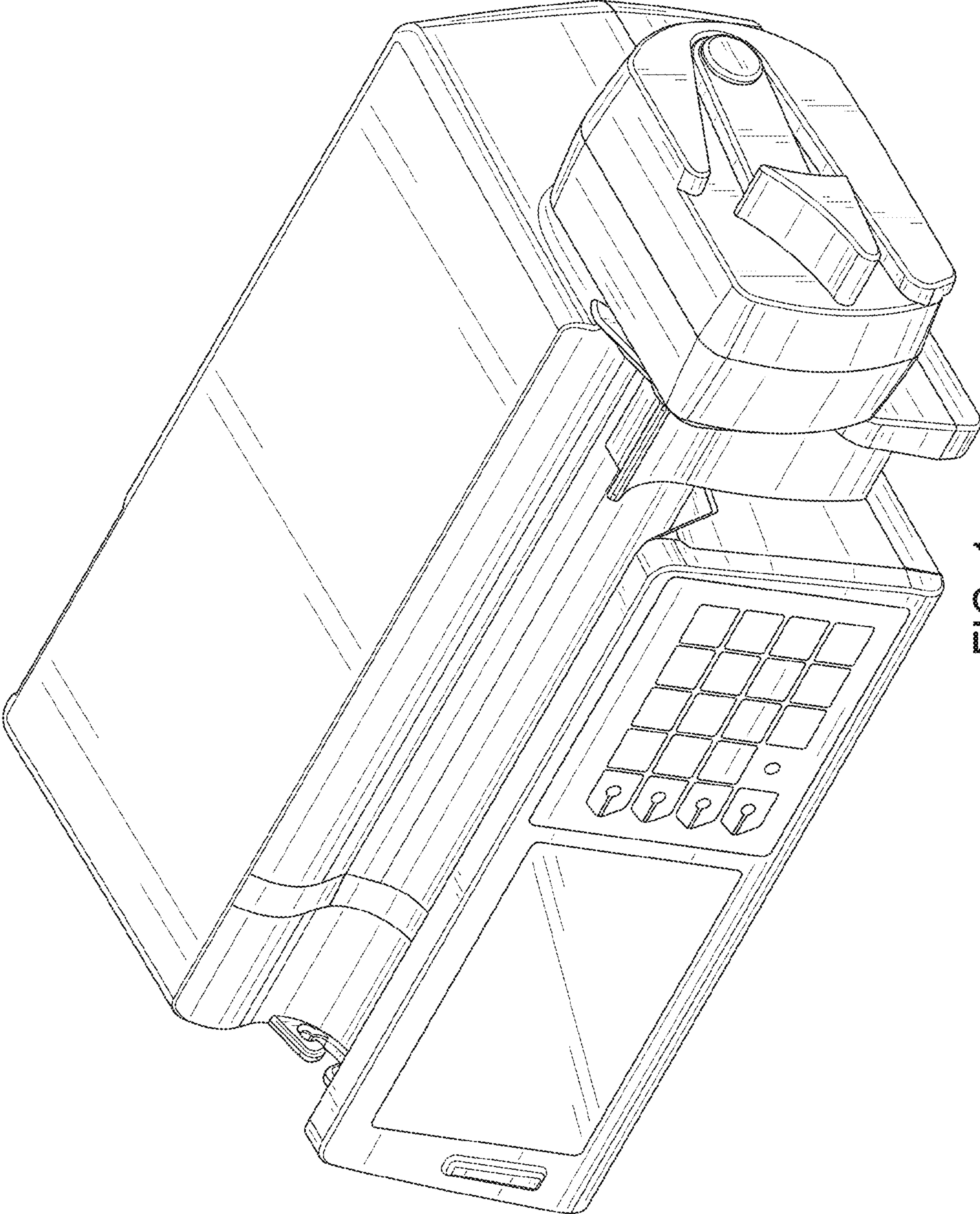


FIG. 1

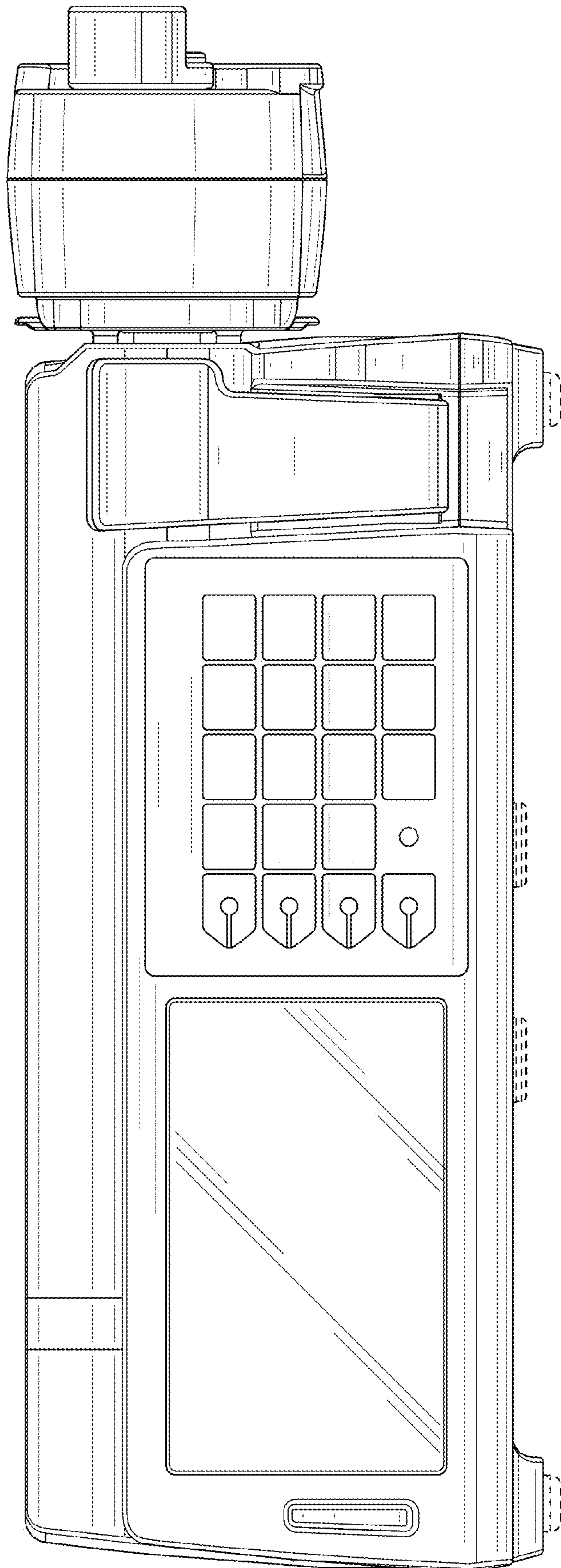


FIG. 2

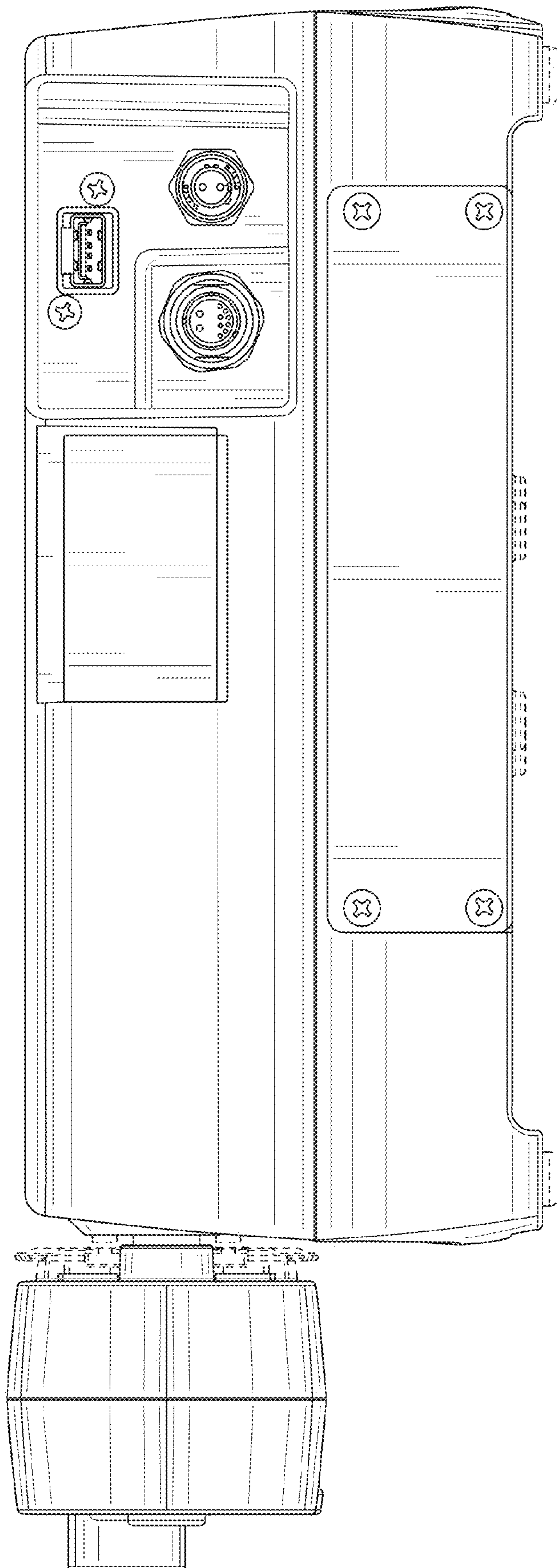


FIG. 3

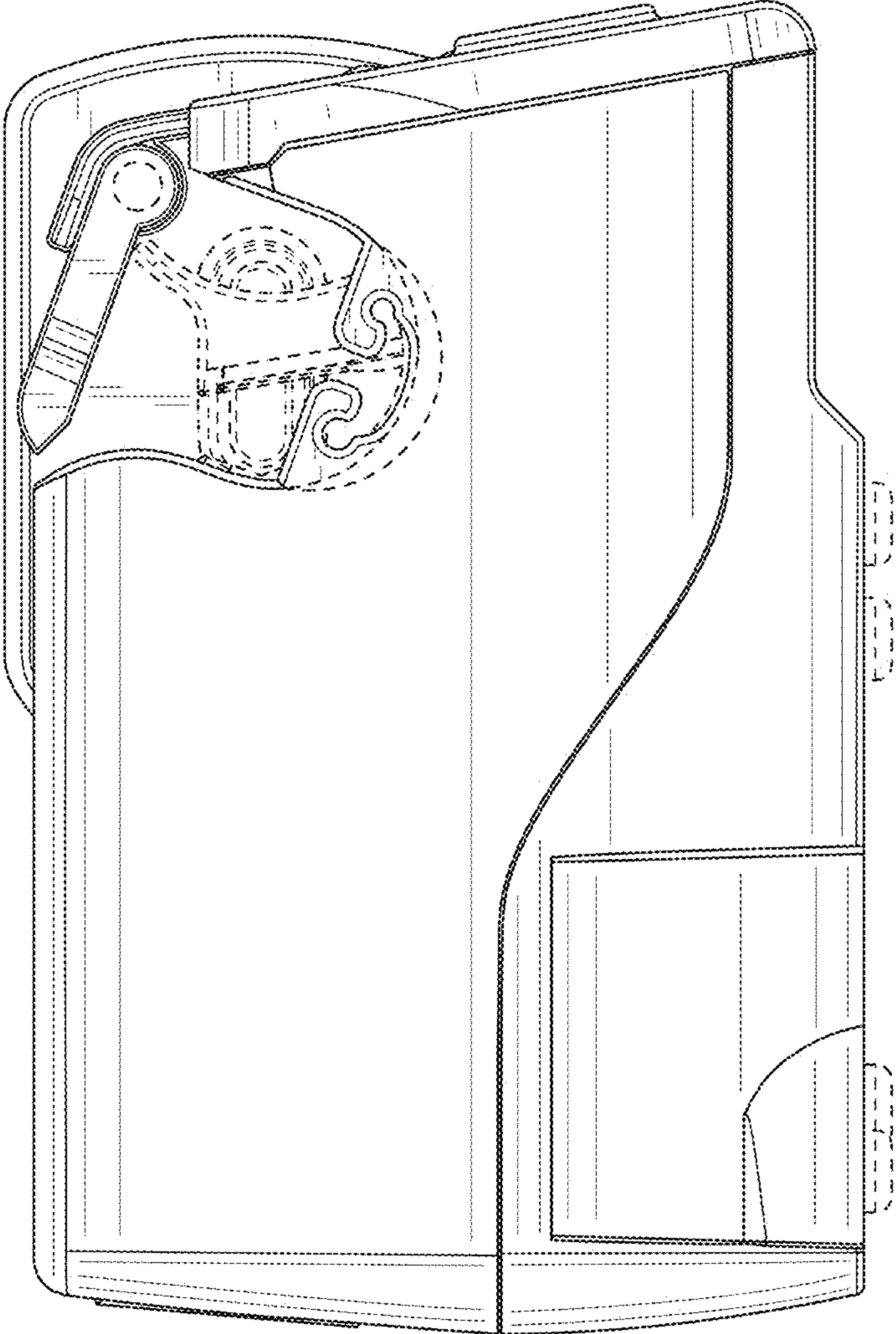


FIG. 4

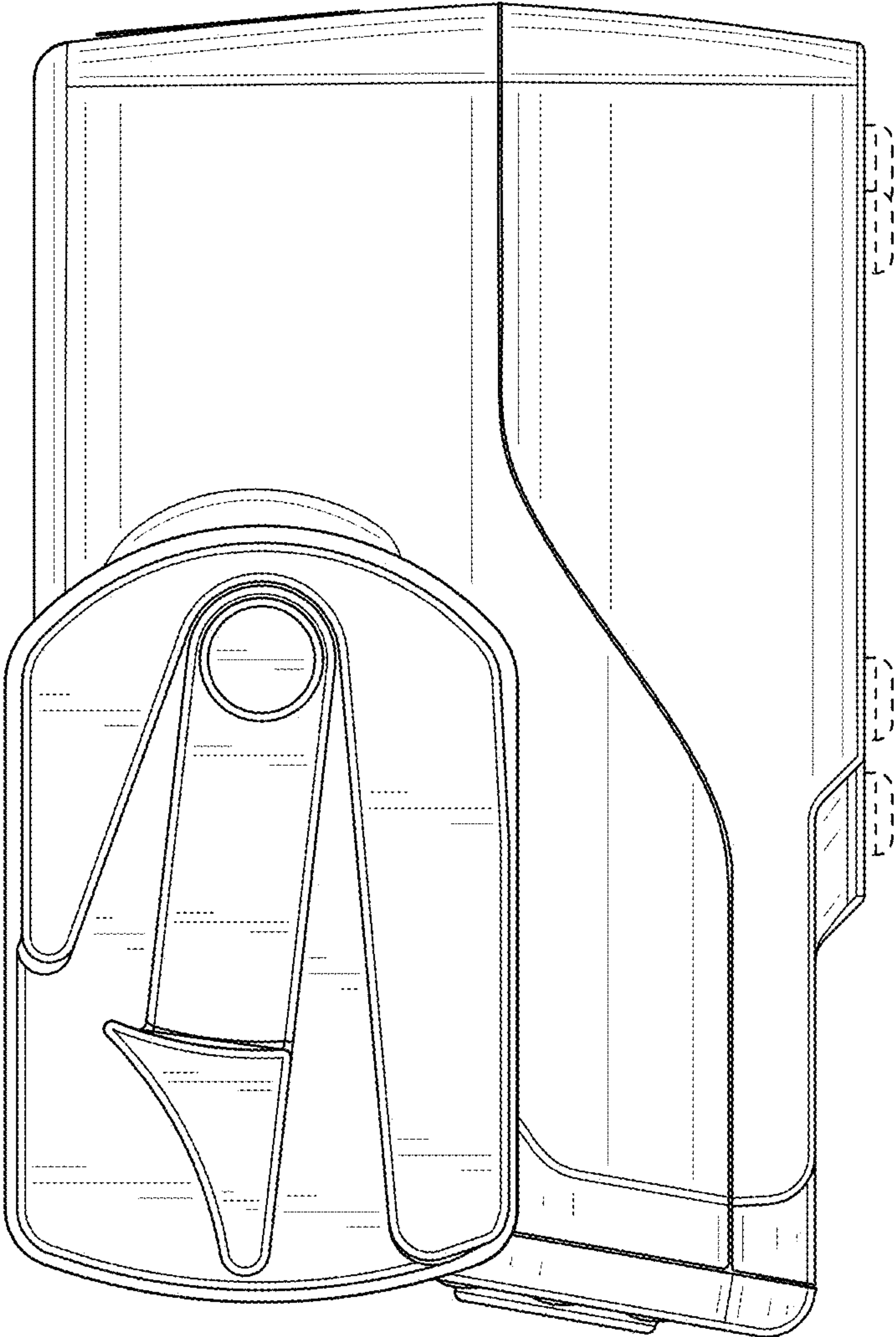


FIG. 5

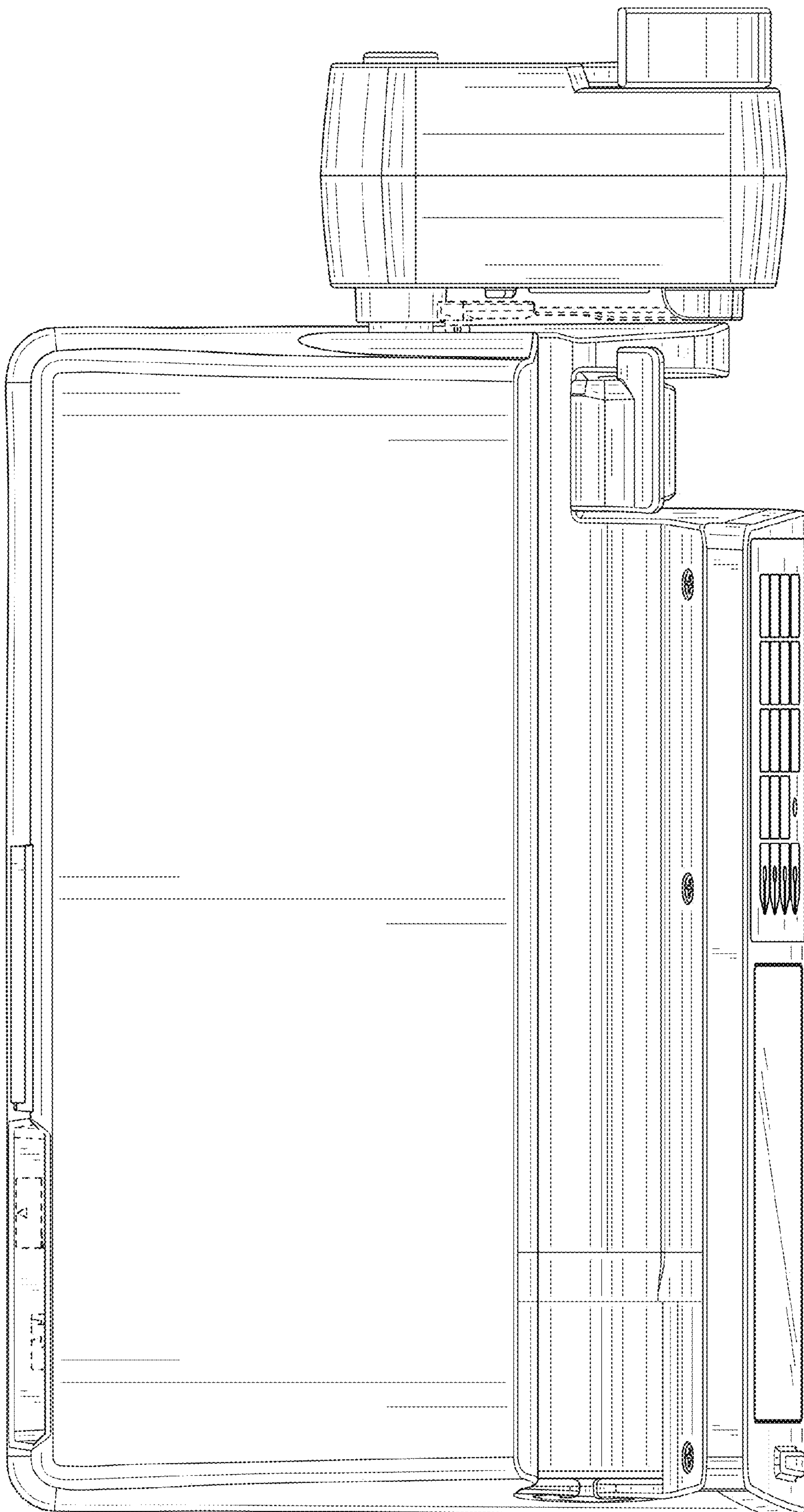


FIG. 6

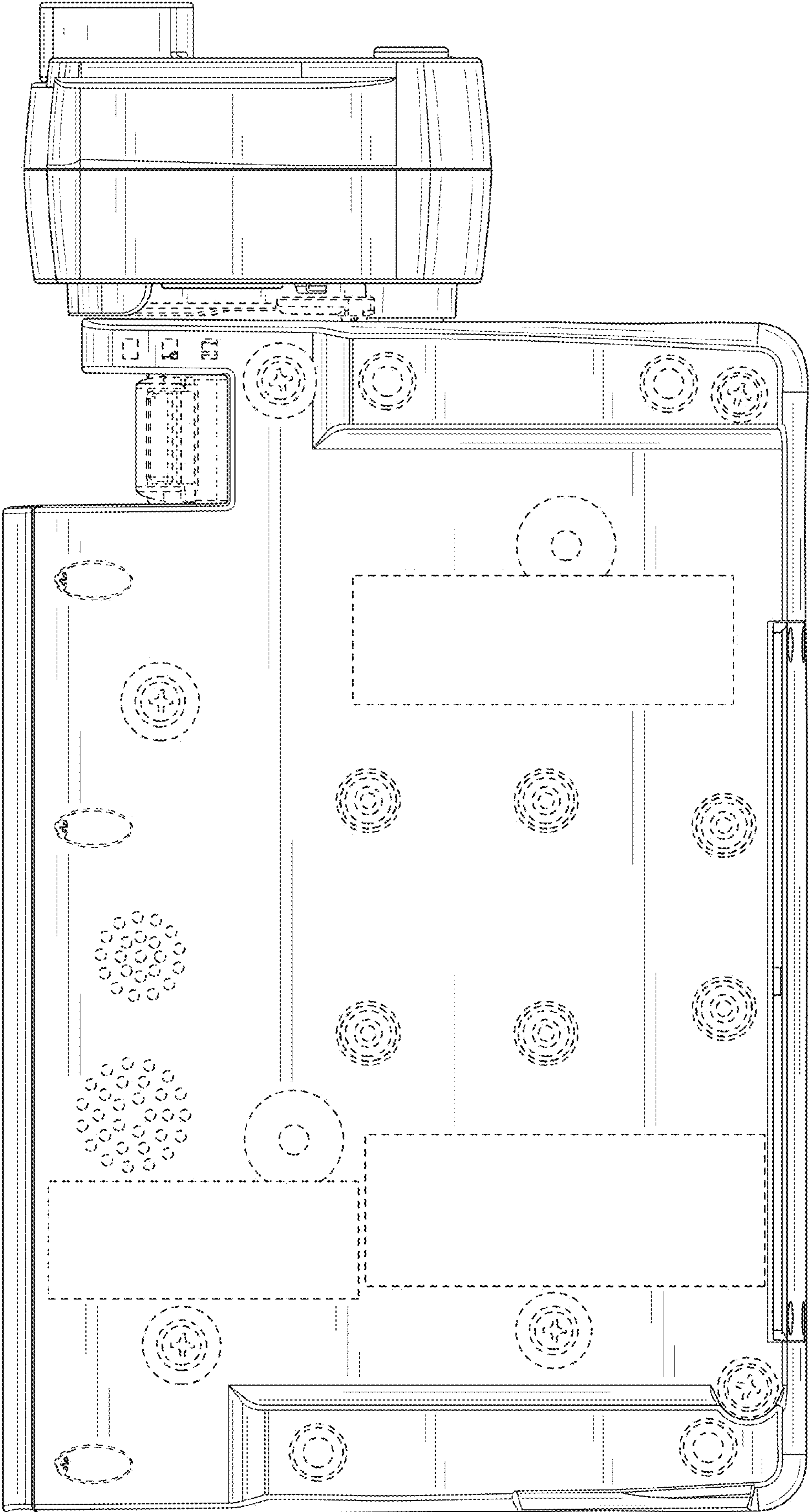


FIG. 7