



US00D989290S

(12) **United States Design Patent**  
**Bissell et al.**

(10) **Patent No.:** **US D989,290 S**  
(45) **Date of Patent:** **\*\* Jun. 13, 2023**

(54) **VENTILATOR TUBING ASSEMBLY**

- (71) Applicant: **CORVENT MEDICAL INC.**, New York, NY (US)
- (72) Inventors: **Derek Bissell**, Westminster, CA (US); **Edward F. Ruppel**, Saratoga, CA (US); **John O'Mahony**, Plymouth, MN (US)
- (73) Assignee: **CORVENT MEDICAL, INC.**, New York, NY (US)
- (\*\*) Term: **15 Years**

- (21) Appl. No.: **29/764,663**
- (22) Filed: **Dec. 31, 2020**
- (51) **LOC (14) Cl.** ..... **29-02**
- (52) **U.S. Cl.**  
USPC ..... **D24/110.5**
- (58) **Field of Classification Search**  
USPC ..... D24/110, 110.1, 110.2, 110.3, 110.4, D24/110.5, 107, 108, 111, 112, 115, 121, D24/127, 129, 133, 146, 147, 148, 164  
CPC ..... A61M 16/06; A61M 16/0605; A61M 16/0616; A61M 16/0622; A61M 16/0633; A61M 16/0666; A61M 16/0683; A61M 16/08; A61M 16/0816; A61M 16/0875; A61M 16/0644  
See application file for complete search history.

(56) **References Cited**

**U.S. PATENT DOCUMENTS**

- D31,034 S \* 6/1899 Meinecke ..... D24/115
- D338,063 S \* 8/1993 Idowu ..... D24/111
- D350,394 S \* 9/1994 Kazal ..... D24/164
- 5,640,951 A \* 6/1997 Huddart ..... F16L 11/24 128/911

(Continued)

**FOREIGN PATENT DOCUMENTS**

- CN 304236913 \* 8/2017
- CN 306094552 \* 10/2020

(Continued)

**OTHER PUBLICATIONS**

“McKesson: CareFusion Ventilator Circuit”. Found online at iremedy.com. Aug. 8, 2022. Reference dated Mar. 5, 2015. Retrieved from [https://iremedy.com/mckesson-1095099-BX?srsltid=AdGWZVQF46dr1fqX4OZy4Mheq1TuAjnLdrswJzxWmCXmpLZqPljSzo\\_L8.\\*](https://iremedy.com/mckesson-1095099-BX?srsltid=AdGWZVQF46dr1fqX4OZy4Mheq1TuAjnLdrswJzxWmCXmpLZqPljSzo_L8.*)

(Continued)

*Primary Examiner* — Kendra Leslie Hamilton  
*Assistant Examiner* — Elizabeth S Struble  
(74) *Attorney, Agent, or Firm* — Nixon & Vanderhye P.C.

(57) **CLAIM**

The ornamental design for a ventilator tubing assembly, as shown and described.

**DESCRIPTION**

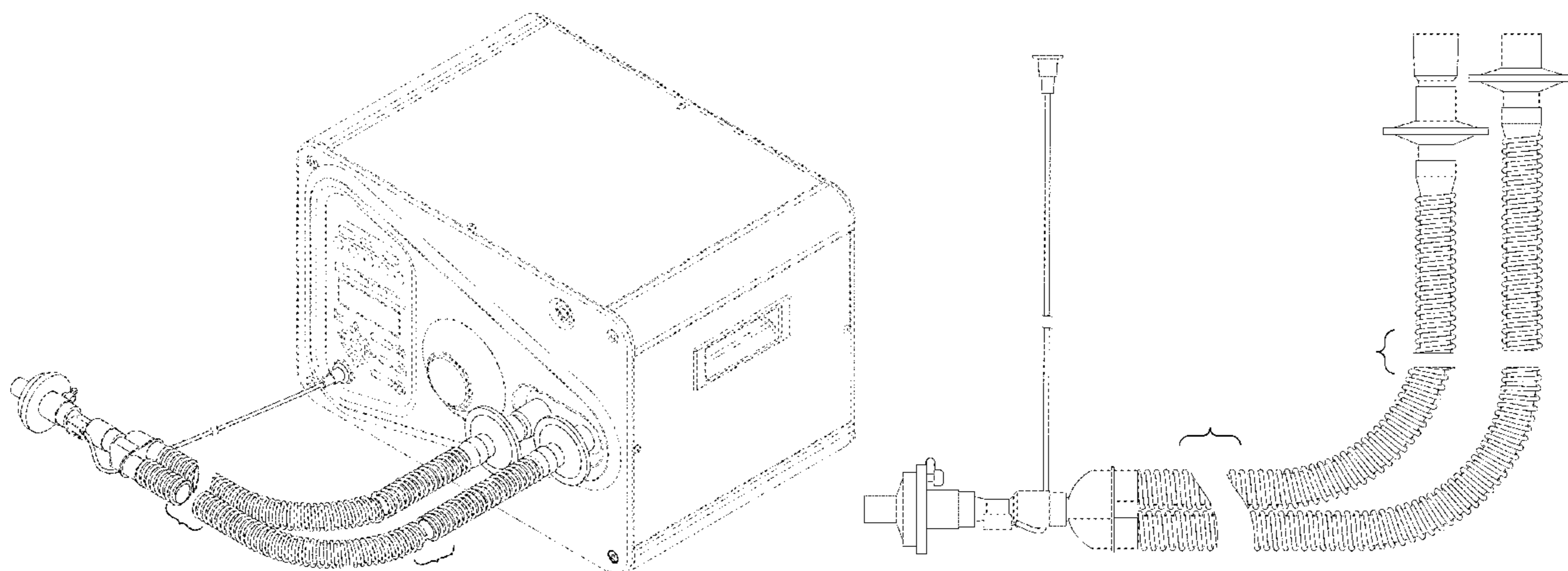
FIG. 1 is a front perspective view of a ventilator tubing assembly showing our new design in a condition of use; FIG. 2 is a front elevation view; FIG. 3 is a rear plan view thereof; FIG. 4 is a top plan view thereof; FIG. 5 is a bottom plan view thereof; FIG. 6 is a right elevation view thereof; and, FIG. 7 is a left elevation view thereof.

The ventilator tubing and cord are shown with symbolic breaks in their lengths. The appearance of any portions of the ventilator tubing and cord between the breakaway lines forms no part of the claimed design. The breakaway lines form no part of the claim.

The broken lines depict portions of the ventilator tubing assembly that form no part of the claimed design.

The broken lines showing a ventilator in FIG. 1 depict environmental matter and form no part of the claimed design.

**1 Claim, 7 Drawing Sheets**



(56)

References Cited

U.S. PATENT DOCUMENTS

D398,989 S \* 9/1998 Ashlin ..... D24/115  
 D612,043 S \* 3/2010 Young ..... D24/115  
 D644,727 S \* 9/2011 Salus ..... D24/110.1  
 D650,901 S \* 12/2011 Ghosh ..... D24/115  
 9,126,005 B1 \* 9/2015 Blaylock ..... A62B 18/08  
 D751,687 S \* 3/2016 Daly ..... D24/110  
 D841,148 S \* 2/2019 Stoks ..... D24/110  
 D848,609 S \* 5/2019 Potomac ..... D24/115  
 D849,232 S \* 5/2019 Formica ..... D24/110  
 D878,546 S \* 3/2020 Formica ..... D24/110  
 D880,686 S \* 4/2020 Stoks ..... D24/110  
 D893,016 S \* 8/2020 Wilson ..... D24/110.4  
 D894,376 S \* 8/2020 Boyes ..... D24/127  
 2008/0264412 A1 \* 10/2008 Meyer ..... A61M 16/0841  
 128/200.22  
 2017/0368279 A1 \* 12/2017 Doemer ..... A61M 16/00  
 2018/0256841 A1 \* 9/2018 Borrello ..... A61M 16/024  
 2018/0361091 A1 \* 12/2018 Garde ..... A61M 16/024

FOREIGN PATENT DOCUMENTS

TW 167336-0001 \* 4/2015  
 TW 172006-0001 \* 11/2015

OTHER PUBLICATIONS

“Philips: F&P Icon + ThermoSmart Breathing Tube”. Found online at Amazon.com. Aug. 8, 2022. Reference dated Feb. 16, 2017. Retrieved from <https://www.amazon.com/Icon-ThermoSmart-Breathing-Tube/dp/B06VWJBQSX/>. \*  
 “Respironics: Lightweight White Tubing”. Found online at Amazon.com. Aug. 8, 2022. Reference dated Jun. 25, 2013. Retrieved from <https://www.amazon.com/Respironics-Lightweight-White-Tubing-1032907/dp/B00K9QOWYA/>. \*  
 “Bullard: 20BT Breathing Tube”. Found online at Amazon.com. Aug. 8, 2022. Reference dated Mar. 19, 2016. Retrieved from <https://www.amazon.com/Bullard-20BT-Breathing-Standard-White/dp/B00CB3SYB6/>. \*

\* cited by examiner

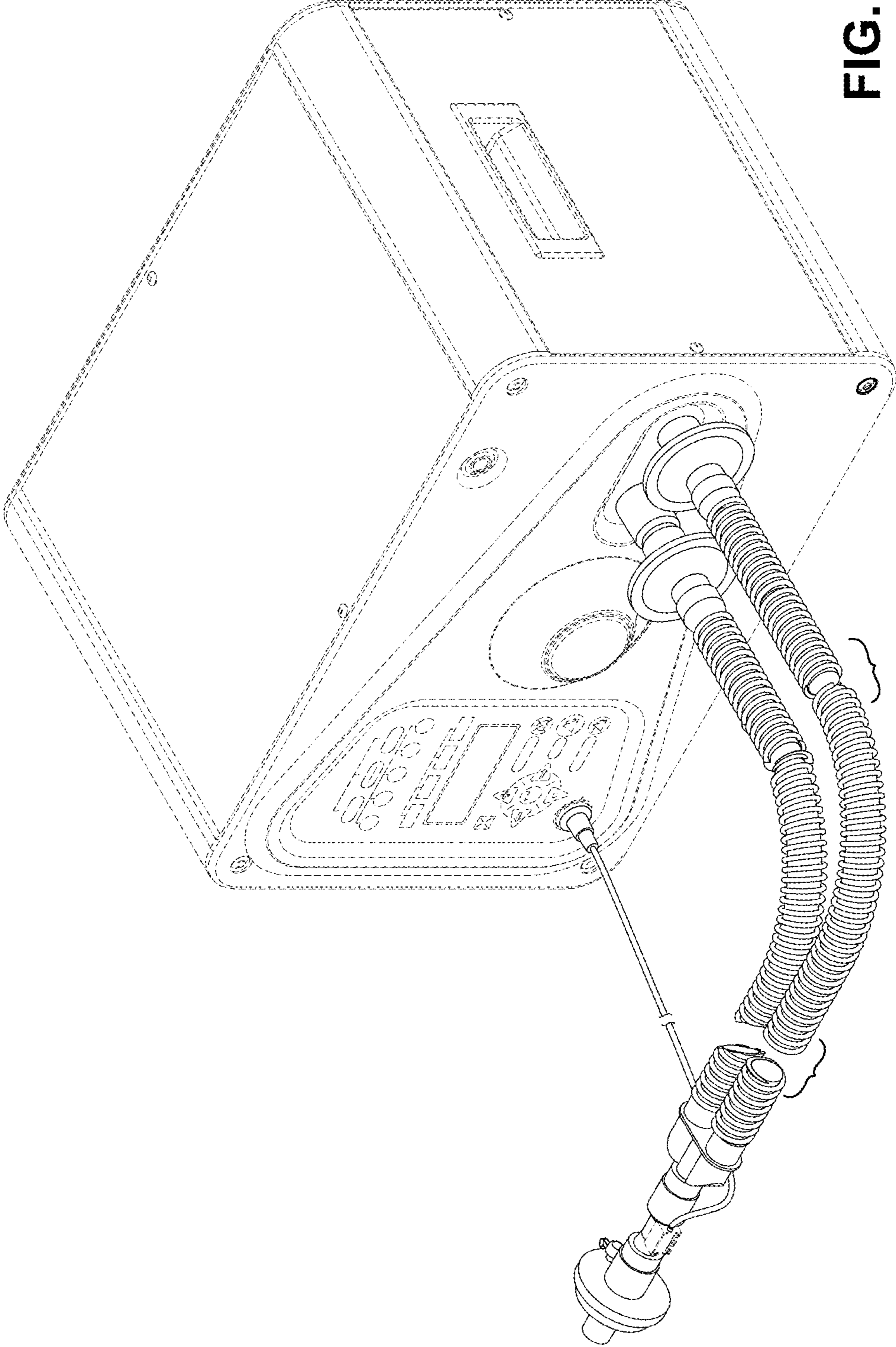


FIG. 1



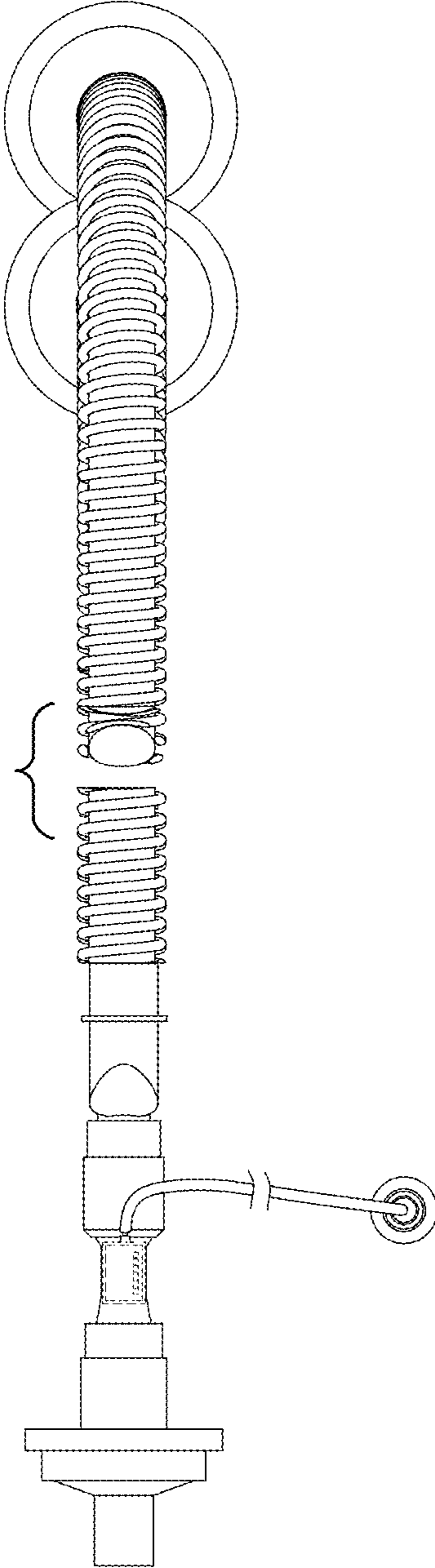


FIG. 2

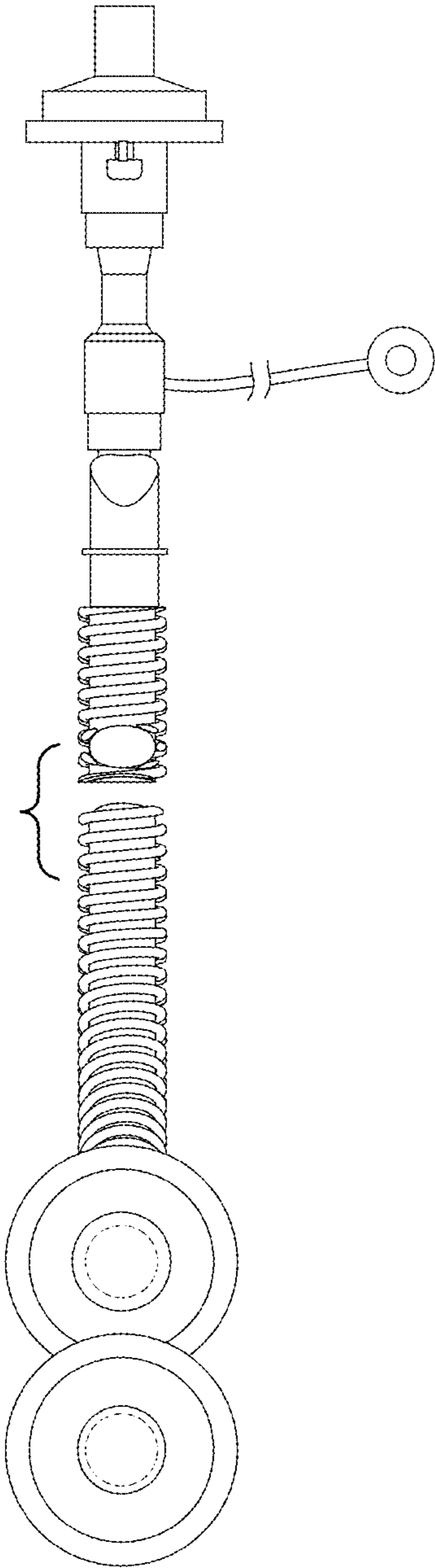


FIG. 3

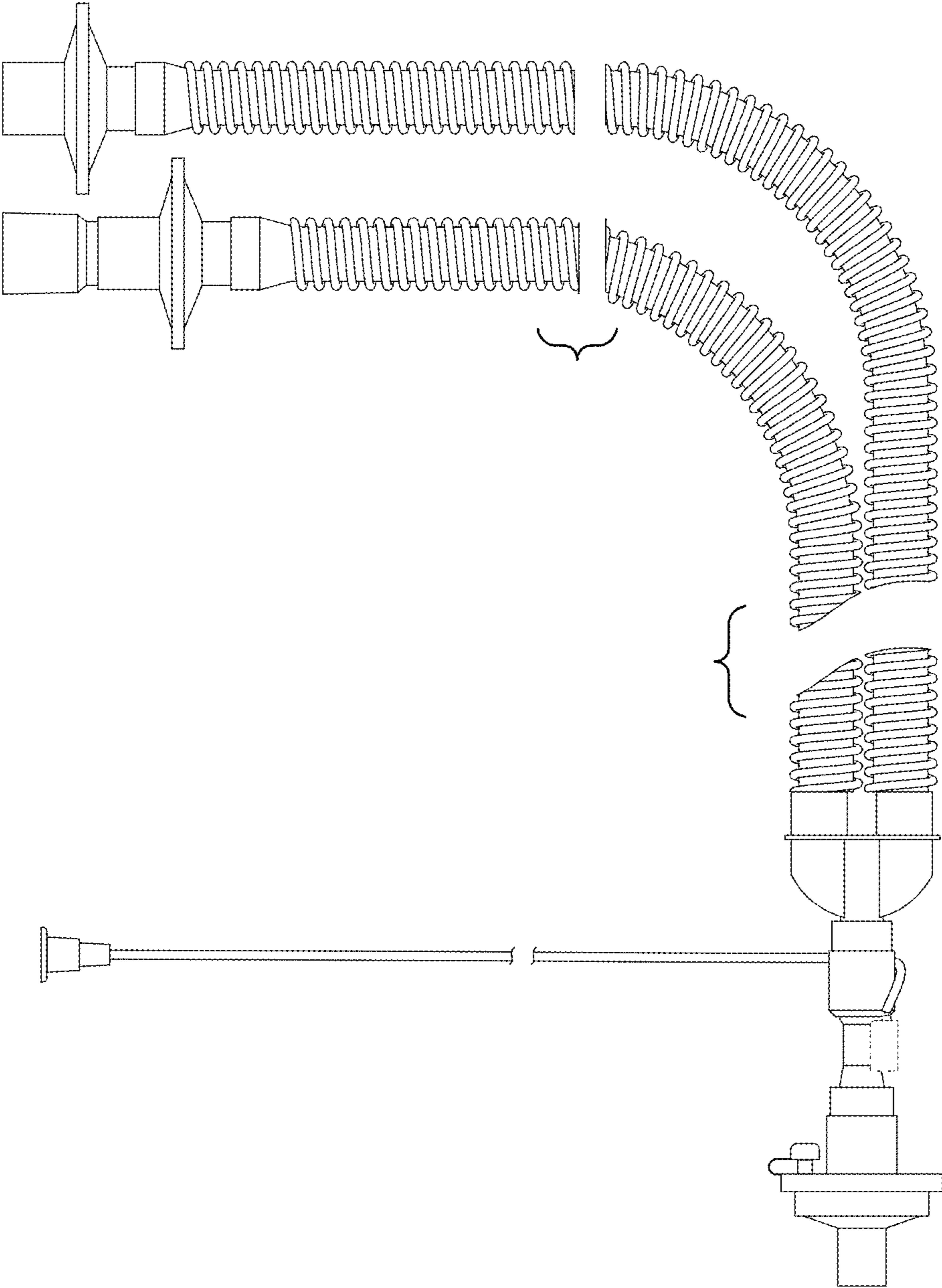


FIG. 4

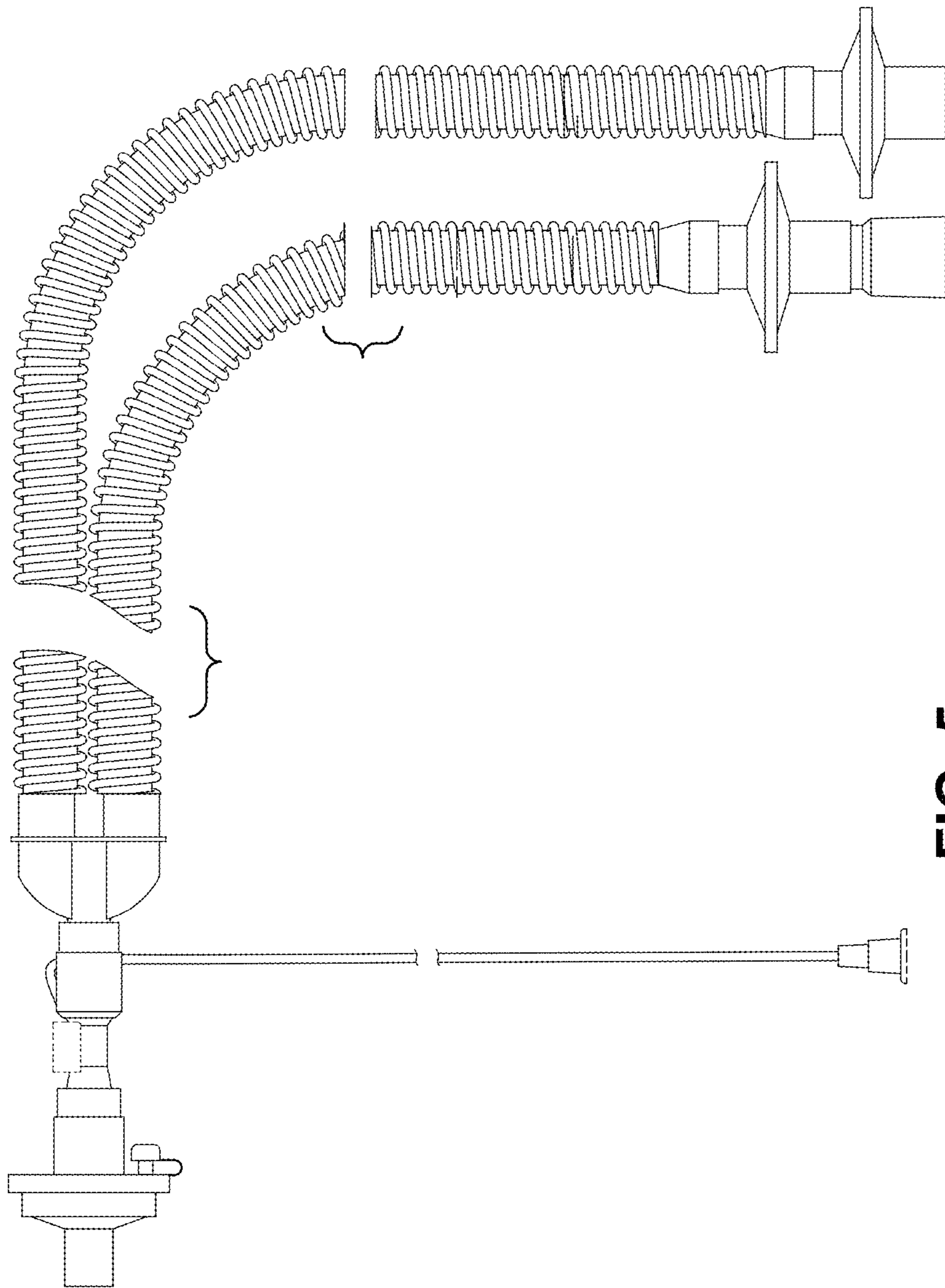


FIG. 5

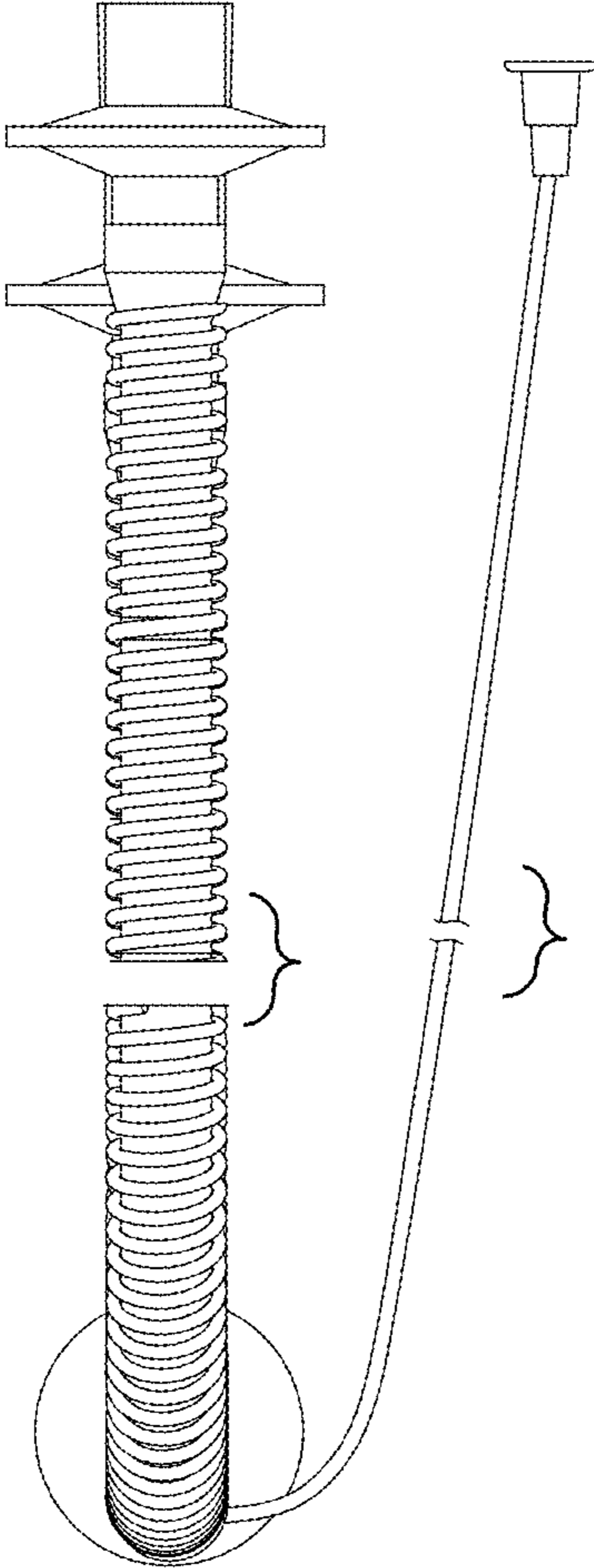


FIG. 6



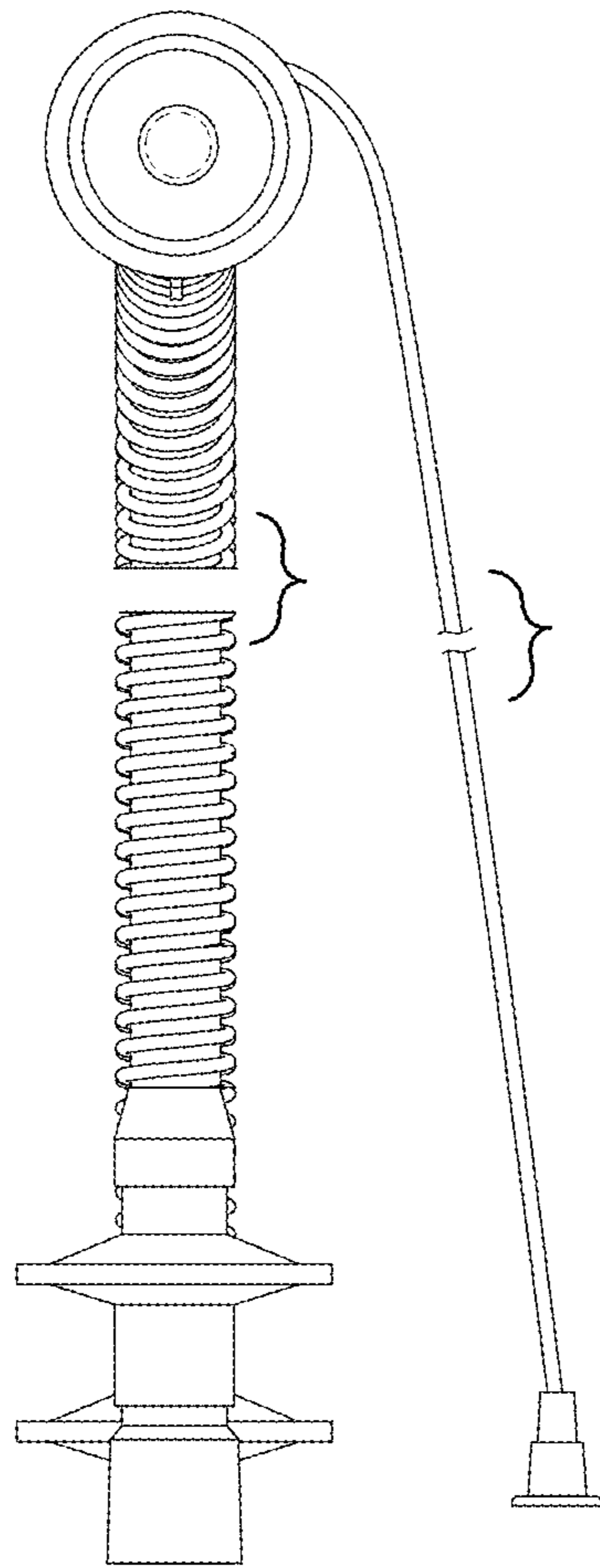


FIG. 7