



US00D989286S

(12) **United States Design Patent**
Allen et al.

(10) **Patent No.:** **US D989,286 S**
(45) **Date of Patent:** **** Jun. 13, 2023**

(54) **FACE MASK**

(71) Applicants: **Gregory Allen**, Birmingham, AL (US);
Regina Allen, Birmingham, AL (US)

(72) Inventors: **Gregory Allen**, Birmingham, AL (US);
Regina Allen, Birmingham, AL (US)

(**) Term: **15 Years**

(21) Appl. No.: **29/770,703**

(22) Filed: **Feb. 16, 2021**

(51) **LOC (14) Cl.** **29-02**

(52) **U.S. Cl.**

USPC **D24/110.1**

(58) **Field of Classification Search**

USPC D24/110.1, 110.2, 110.3, 110.4, 110.5,
D24/110.6, 127, 128, 164; D29/108, 110,
D29/111, 129; D2/865, 866, 867, 874,
D2/878, 881, 891

CPC A62B 7/10; A62B 18/00; A62B 23/02;
A41D 13/11; A41D 13/1107; A41D
13/113; A41D 31/14; A41D 2600/10;
A61M 16/06; A42B 3/20; A42V 1/046

See application file for complete search history.

(56) **References Cited**

U.S. PATENT DOCUMENTS

566,824	A *	9/1896	Van Wormer	A41D 13/11 2/206
3,031,676	A	5/1962	Larson		
4,458,364	A	7/1984	Fenninger		
D511,209	S *	11/2005	Callan	D24/110.1
7,152,601	B2	12/2006	Barakat		
D693,062	S *	11/2013	Bowen	D29/108
D706,021	S	6/2014	Oimo		
10,207,129	B2	2/2019	Koehler		
D850,760	S *	6/2019	Greenblat	D29/108
D872,256	S *	1/2020	Tuan	D24/110.1

2004/0049828	A1	3/2004	Moses		
2006/0289009	A1 *	12/2006	Palomo	A62B 23/025 128/206.19
2007/0023047	A1 *	2/2007	Zalsman	A41D 13/11 128/206.19

(Continued)

FOREIGN PATENT DOCUMENTS

GB	6091816	*	6/2020
TW	222790-0001	*	12/2022

(Continued)

OTHER PUBLICATIONS

“QwikGuard: Single-Use Strapless Face Masks.” Found online at Amazon.com. Jan. 17, 2023. Reference dated Nov. 6, 2020. Retrieved from <https://www.amazon.com/QwikGuard-Single-Use-Strapless-Face-Masks/dp/B08KGGZ9Y4S>.*

(Continued)

Primary Examiner — Kendra Leslie Hamilton
Assistant Examiner — Elizabeth S Struble

(57)

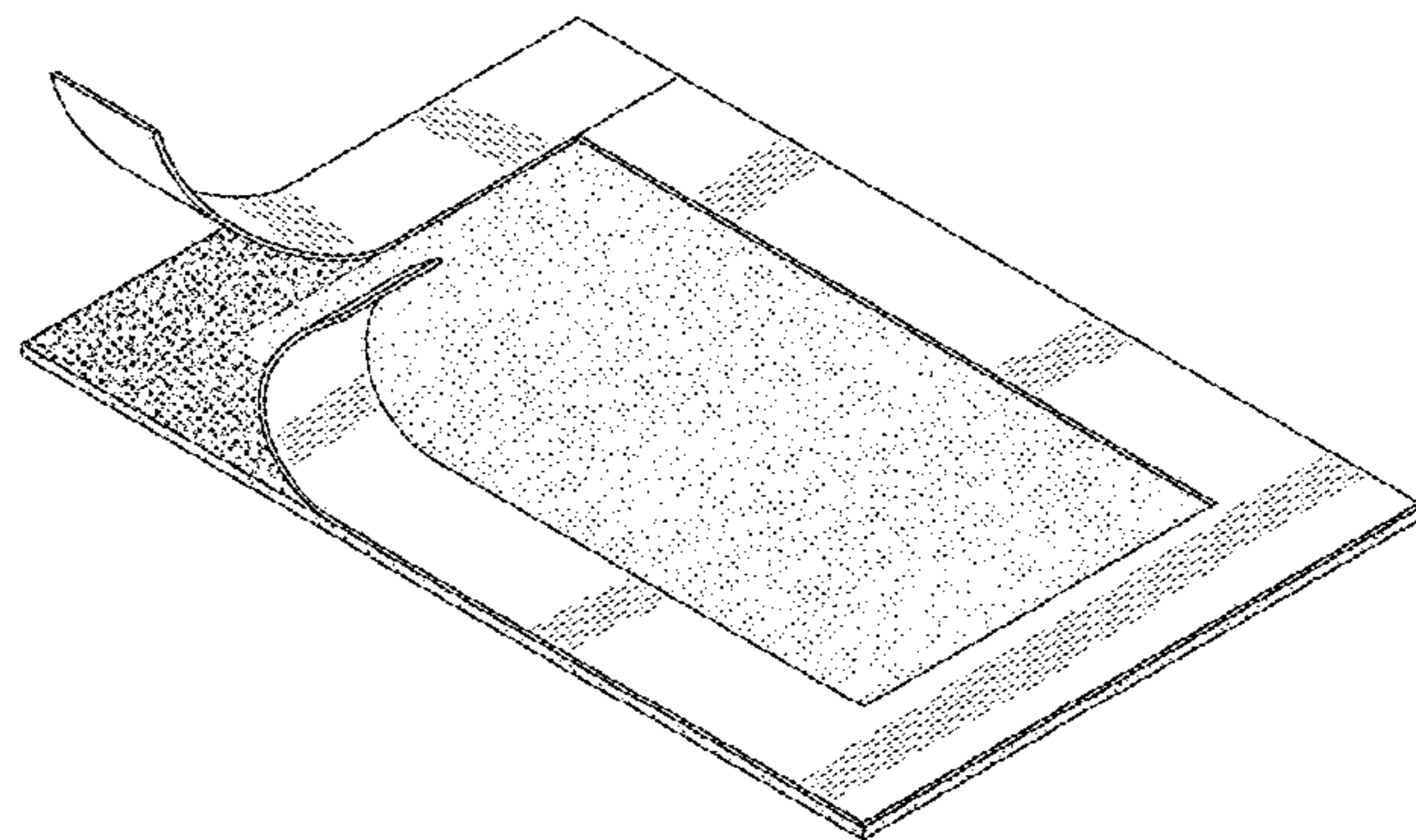
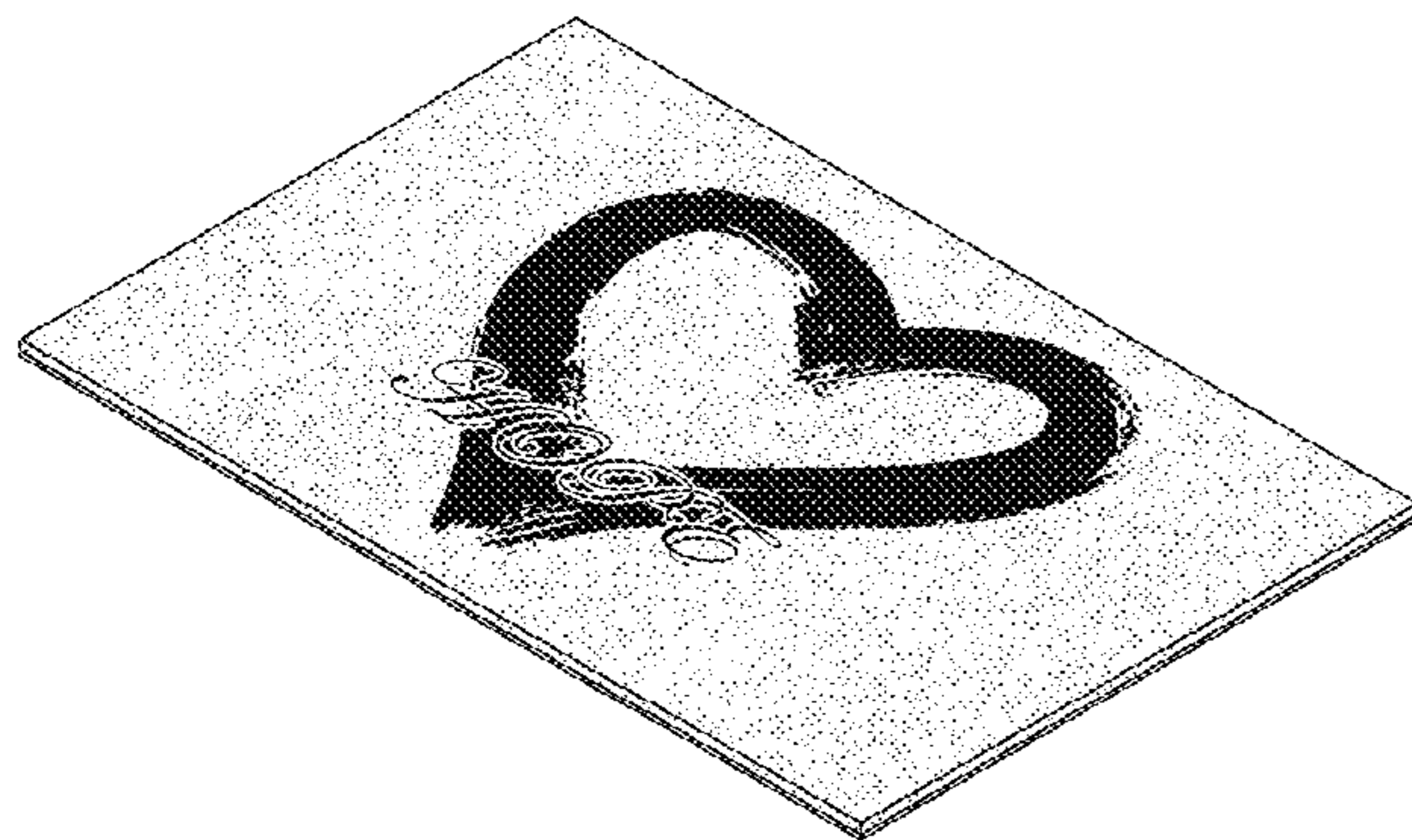
CLAIM

The ornamental design for a face mask, as shown and described.

DESCRIPTION

FIG. 1 is a front elevation view of a face mask showing my new design;
FIG. 2 is a rear elevation view thereof;
FIG. 3 is a right side elevation view thereof;
FIG. 4 is a left side elevation view thereof;
FIG. 5 is a top plan view thereof;
FIG. 6 is a bottom plan view thereof;
FIG. 7 is a bottom, front, left perspective view thereof; and,
FIG. 8 is a bottom, rear, right perspective view shown in an alternate configuration for clarity of disclosure.
The drawings are shaded to indicate contrasting surfaces.

1 Claim, 3 Drawing Sheets



(56)

References Cited

U.S. PATENT DOCUMENTS

2008/0230066 A1* 9/2008 Chandaria A41D 13/11
128/206.13
2009/0014006 A1* 1/2009 Levin A41D 13/11
128/206.19
2009/0277451 A1 11/2009 Weinberg
2014/0026897 A1* 1/2014 Saroch A41D 13/1192
156/256
2016/0029716 A1* 2/2016 Duncan A41D 13/11
128/863
2020/0022430 A1* 1/2020 Wang D03D 11/00
2021/0052488 A1* 2/2021 Okazaki A61M 15/00

FOREIGN PATENT DOCUMENTS

WO WO2015020857 2/2015
WO D211016-019 * 11/2020

OTHER PUBLICATIONS

“Now Care Products: Strapless inn Face Mask.” Found online at Amazon.com. Jan. 17, 2023. Reference dated Sep. 22, 2020. Retrieved from <https://www.amazon.com/Foot-System-Smoother-subscription-service/dp/B01000AXBG>.*

“MyDCraft: Hope Fabric Face Mask.” Found online at Etsy.com. Jan. 17, 2023. Reference dated Aug. 21, 2020. Retrieved from <https://www.etsy.com/listing/856254701/hope-fabric-face-mask-handmade-mask>.*

“Popfunk: Kids Tye Dye Heart 1-Ply Reusable Face Mask Covering.” Found online at Amazon.com Jan. 17, 2023. Reference dated Jun. 16, 2020. Retrieved from <https://www.amazon.com/Kids-Heart-1-Ply-Reusable-Covering/dp/B08B9ZXGS8?th=1>.*

* cited by examiner



FIG. 1

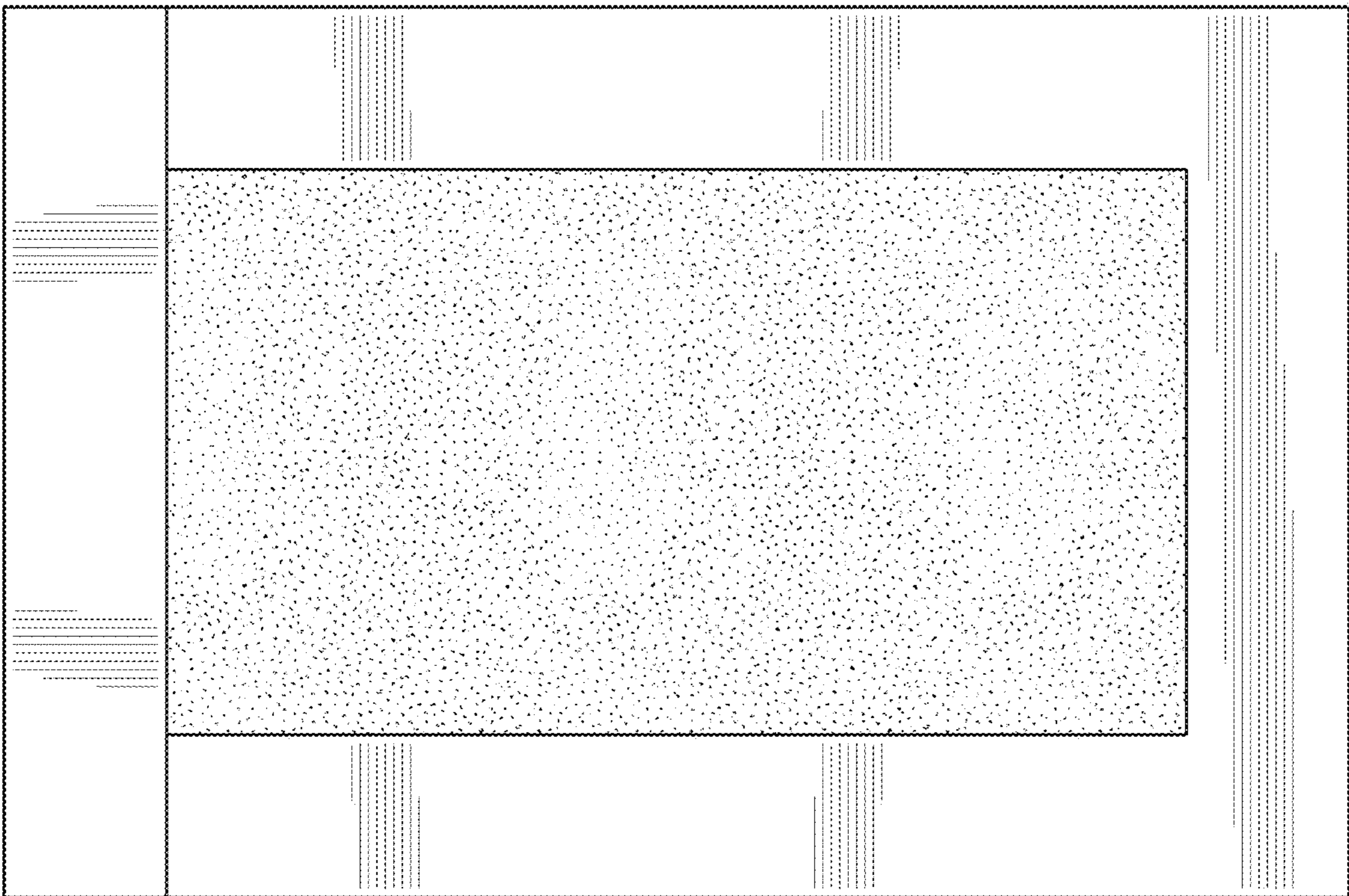


FIG. 2

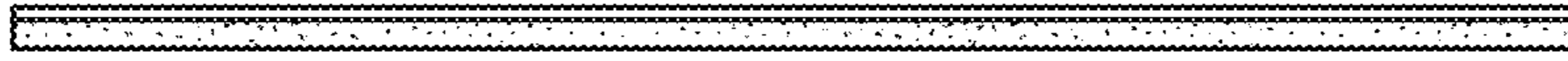


FIG. 3

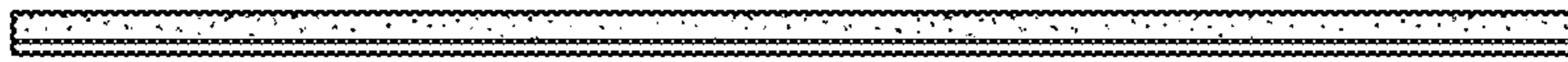


FIG. 4



FIG. 5

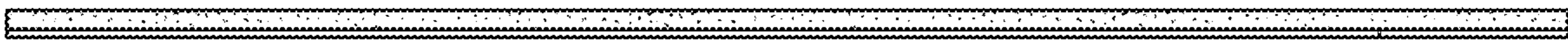


FIG. 6

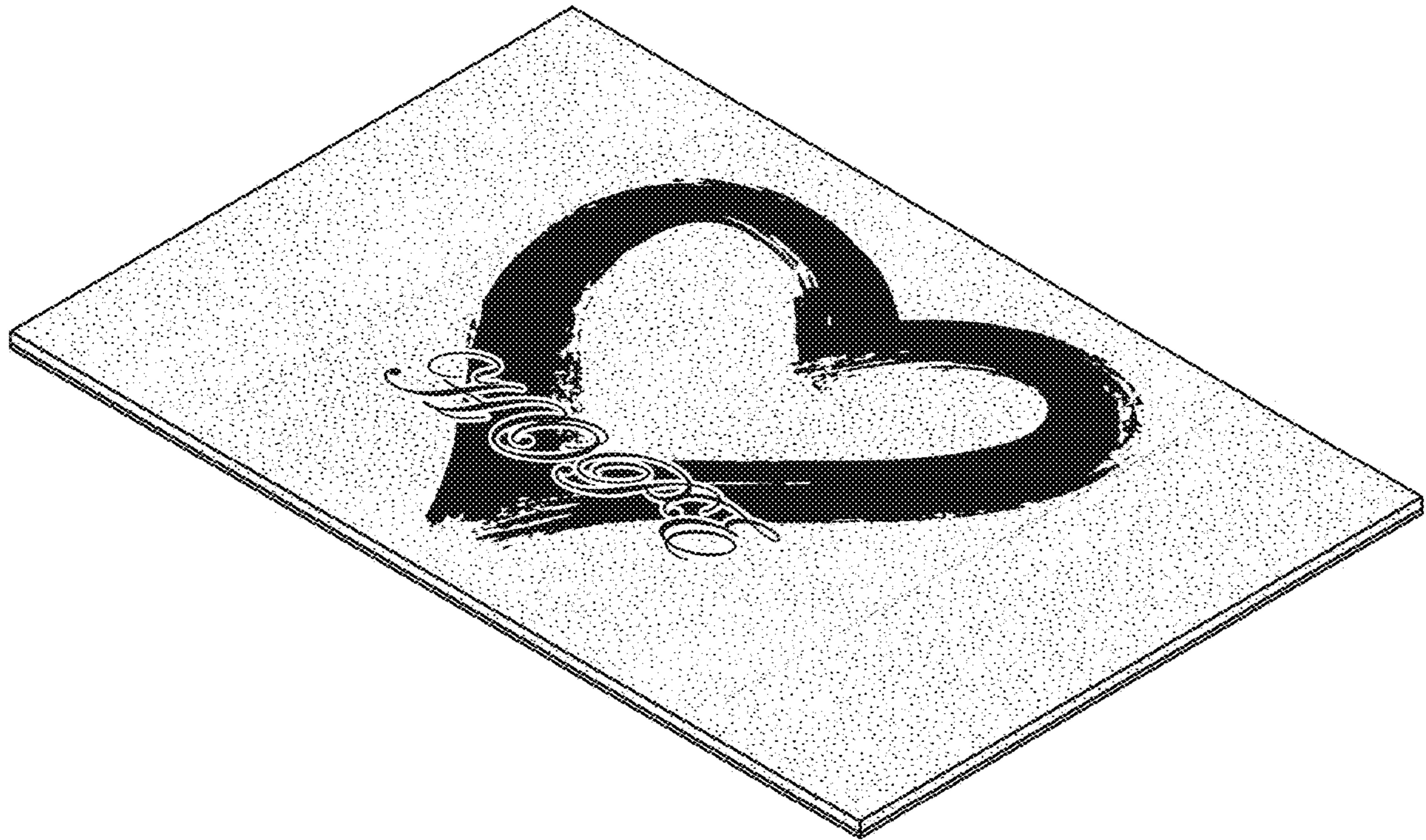


FIG. 7

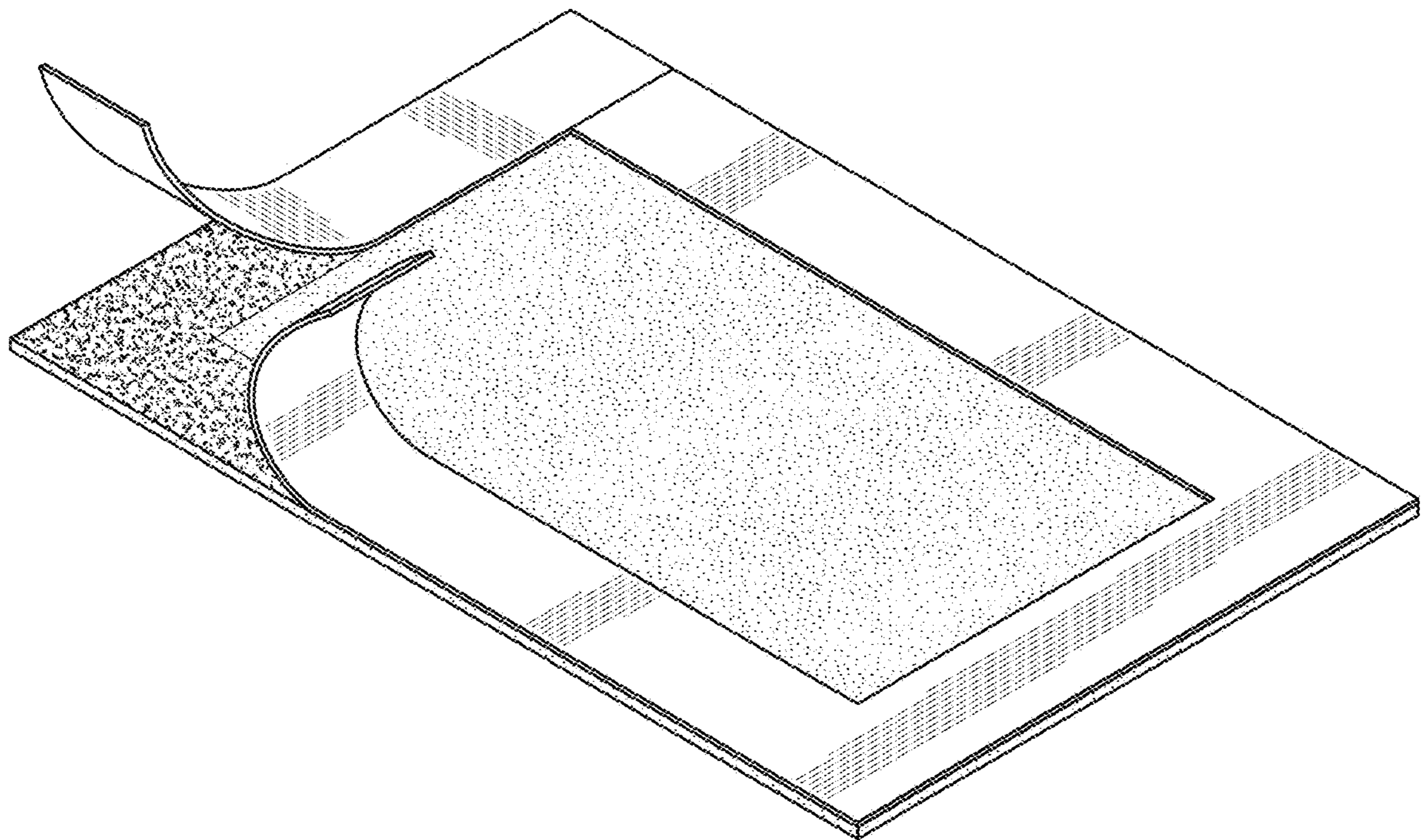


FIG. 8