



US00D989282S

(12) **United States Design Patent**
Narshibhai

(10) **Patent No.:** **US D989,282 S**
(45) **Date of Patent:** **** Jun. 13, 2023**

(54) **INHALER**
(71) Applicant: **Merxin Ltd**, King's Lynn (GB)
(72) Inventor: **Sanjay Narshibhai**, Birmingham (GB)
(73) Assignee: **Merxin Ltd.**, King's Lynn (GB)
(**) Term: **15 Years**

(21) Appl. No.: **29/737,310**
(22) Filed: **Jun. 8, 2020**
(51) **LOC (14) Cl.** **24-04**
(52) **U.S. Cl.**
USPC **D24/110**
(58) **Field of Classification Search**
USPC D24/108, 110, 110.4–110.6, 112, 129,
D24/164
CPC A61M 15/00; A61M 2202/064; A61M
15/0091; A61M 15/0026; A61M 11/00;
A61M 15/0025; A61M 15/0065; A61M
15/0068; A61M 15/007; A61M 15/0071;
A61M 15/0073; A61M 15/0075; A61M
15/0076; A61M 15/008; A61M 15/009
See application file for complete search history.

(56) **References Cited**
U.S. PATENT DOCUMENTS
D512,777 S * 12/2005 Beisner D24/110
D579,544 S * 10/2008 Birath D24/110
D613,397 S * 4/2010 Nakao D24/110
D637,280 S * 5/2011 Harvey D24/110
D637,281 S * 5/2011 Harvey D24/110
D645,734 S * 9/2011 Eason D9/730
D657,045 S * 4/2012 Palmer-Felgate D24/110
D683,844 S * 6/2013 Andrade D24/110
D684,254 S * 6/2013 Zuyderhoudt D24/110
8,667,961 B2 * 3/2014 Thoemmes A61M 15/0041
128/203.15
D739,522 S * 9/2015 Von Schuckmann D24/110
D755,950 S * 5/2016 Meliniotis D24/110

D791,931 S * 7/2017 Kang D24/110
D831,190 S * 10/2018 Von Schuckmann D24/110
D847,973 S * 5/2019 Haeger D24/110
D849,927 S * 5/2019 Von Schuckmann D24/110
D855,792 S * 8/2019 Toksoz D24/110
D863,529 S * 10/2019 Clement D24/110
(Continued)

OTHER PUBLICATIONS

Merxin Ltd [@MRXdevices]. "Introductions aren't always necessary . . . Merxin has some big things planned for DDL! MRX006, dual cavity for triple therapy dry powder inhaler (DPI). Based on the open-inhale-close principle. It is suitable as an AB-rated substitutable device for triple therapy combinations." Twitter.com, Published: [Dec. 11, 2019], site visited: [May 22, 2022], URL: <https://mobile.twitter.com/MRXdevices/status/1204684215729700864>. (Year: 2019).*

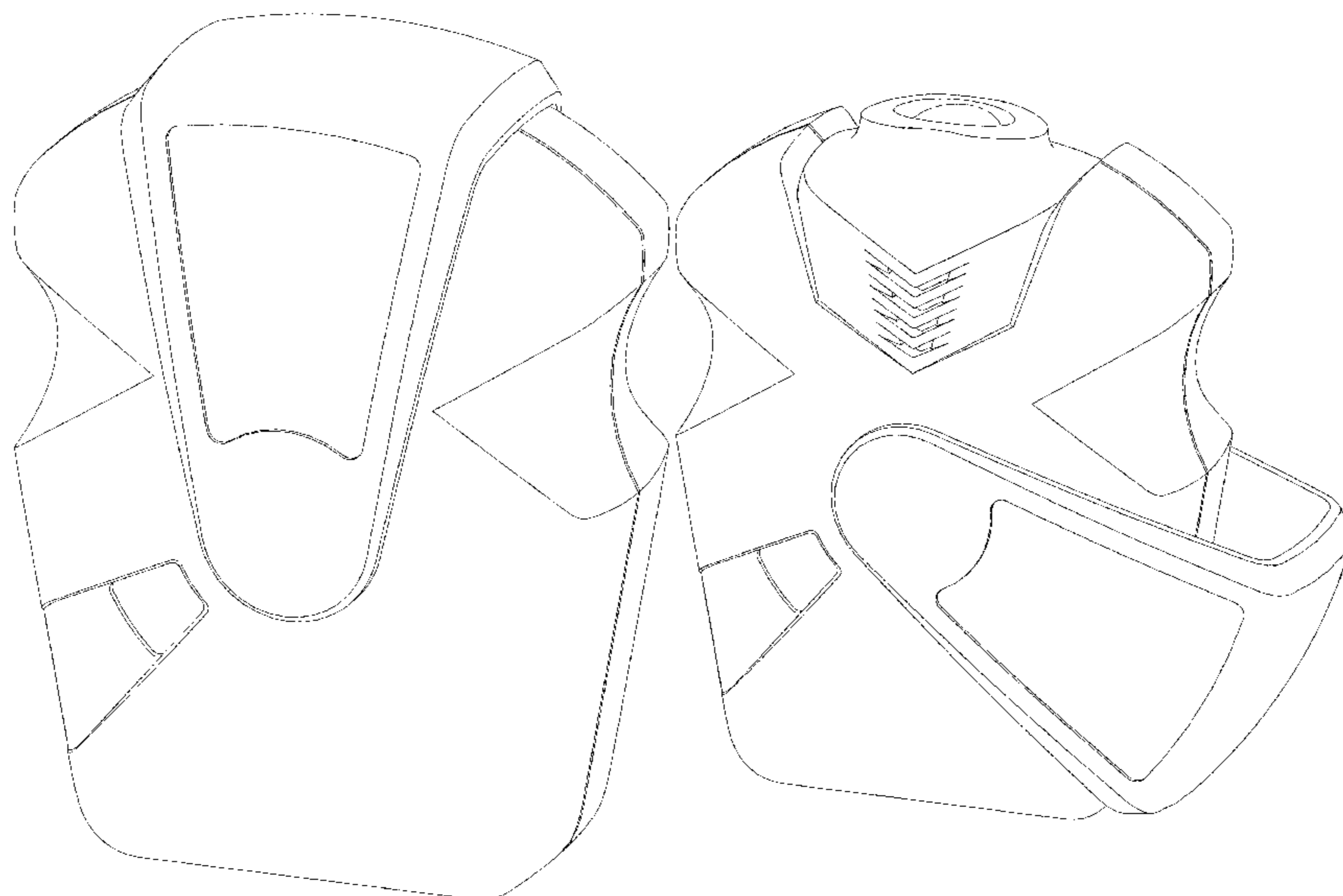
Primary Examiner — Jonathan J Han
Assistant Examiner — Amanda J Berlinski

(57) **CLAIM**
The ornamental design for an inhaler, as shown and described.

DESCRIPTION

FIG. 1 is an enlarged front perspective view of an inhaler in a closed configuration;
FIG. 2 is an enlarged front view thereof;
FIG. 3 is an enlarged left-side view thereof;
FIG. 4 is an enlarged right-side view thereof;
FIG. 5 is an enlarged bottom view thereof;
FIG. 6 is a front perspective view of the inhaler of FIG. 1 in an open configuration; and,
FIG. 7 is a top view thereof.
The dash-dash broken lines illustrate portions of the article that form no part of the claimed design. The dot-dash broken lines define the bounds of the claimed design and form no part thereof.

1 Claim, 7 Drawing Sheets



(56)

References Cited

U.S. PATENT DOCUMENTS

D869,636	S *	12/2019	Castellucci	D24/110
D869,638	S *	12/2019	Shinichi	D24/110
D879,943	S *	3/2020	Ono	D24/110
D879,944	S *	3/2020	Ono	D24/110
D888,931	S *	6/2020	Li	D24/110
D948,705	S *	4/2022	Cotton	D24/110
D952,129	S *	5/2022	Lastow	D24/110
D960,350	S *	8/2022	Cotton	D24/110
2006/0137682	A1 *	6/2006	Tseng	A61M 15/0025 128/200.14
2011/0186047	A1 *	8/2011	Lewis	A61M 15/0075 128/203.15
2011/0192397	A1 *	8/2011	Saskar	A61M 11/003 128/200.17
2015/0096563	A1 *	4/2015	Toksoz	A61M 15/0051 128/203.15
2016/0045684	A1 *	2/2016	Ono	A61M 15/0045 128/203.15
2019/0328984	A1 *	10/2019	Yang	A61M 15/0003
2019/0388632	A1 *	12/2019	Krasnow	A61M 16/14
2020/0078538	A1 *	3/2020	Wang	A61M 15/008
2020/0316322	A1 *	10/2020	Wilson	A61M 11/00
2021/0268214	A1 *	9/2021	Clarke	A61M 15/0026
2022/0096762	A1 *	3/2022	Von Schuckmann	A61M 15/0041
2022/0126035	A1 *	4/2022	Von Schuckmann	A61M 15/0035

* cited by examiner

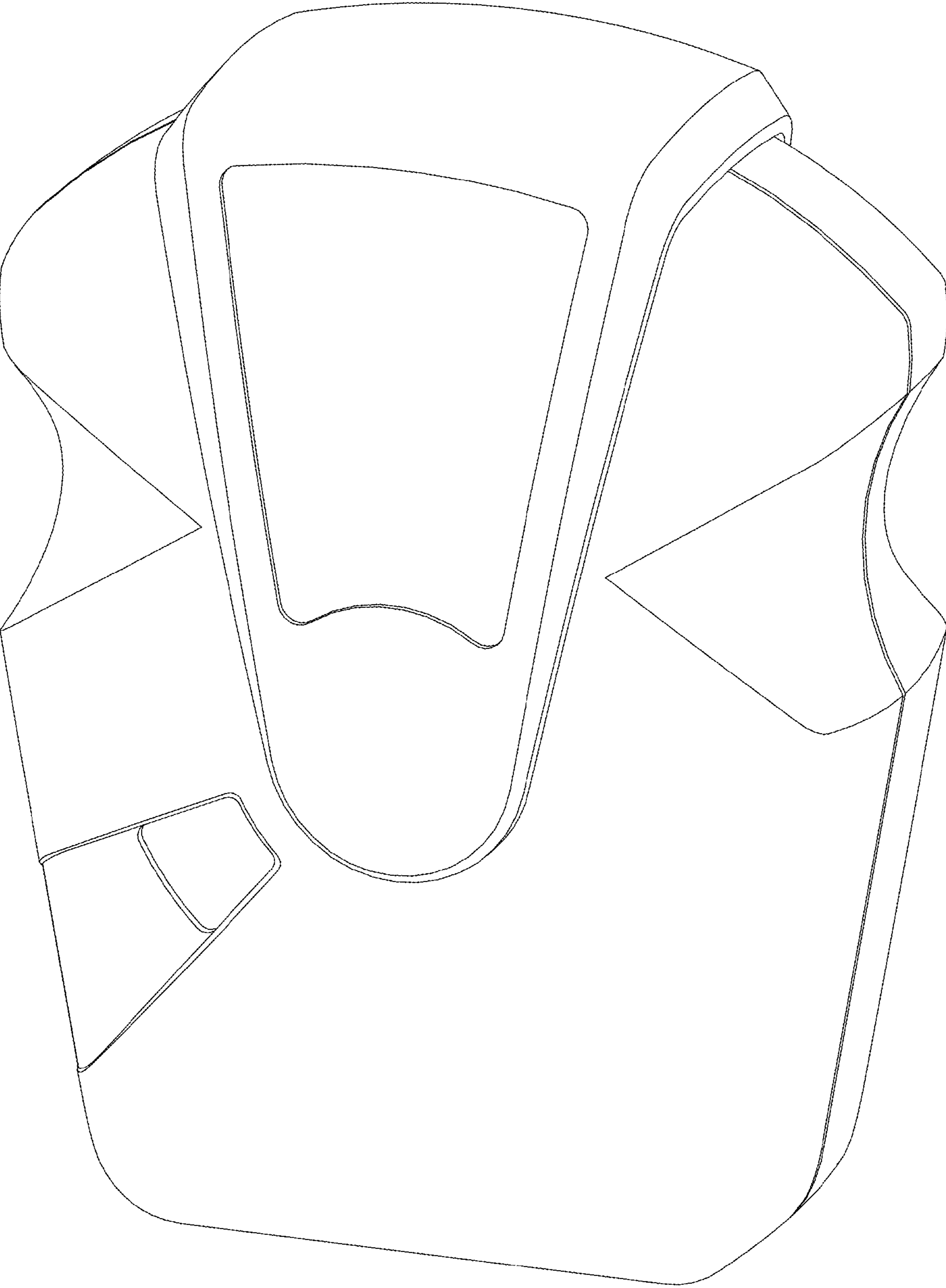


FIG. 1

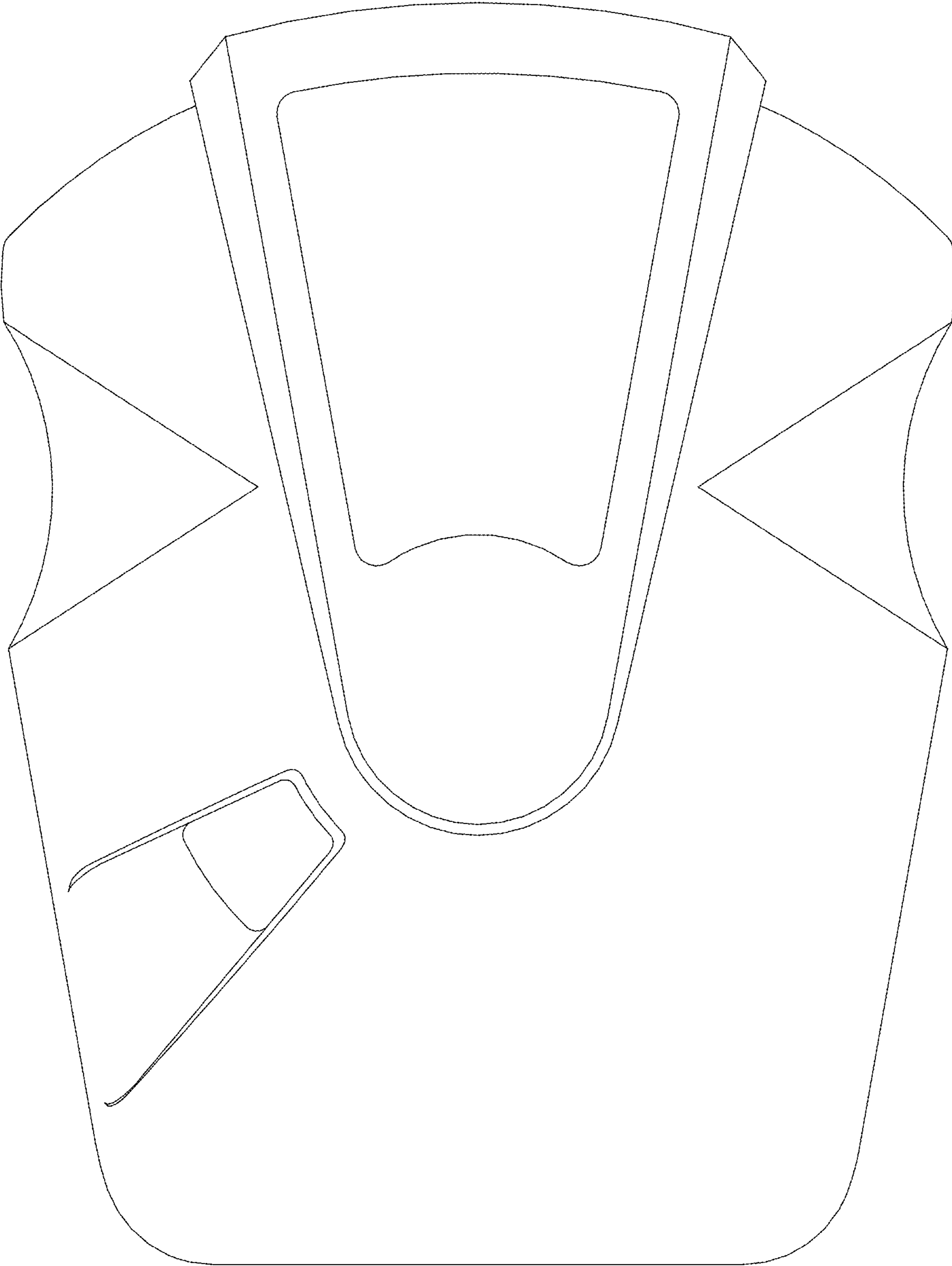


FIG. 2

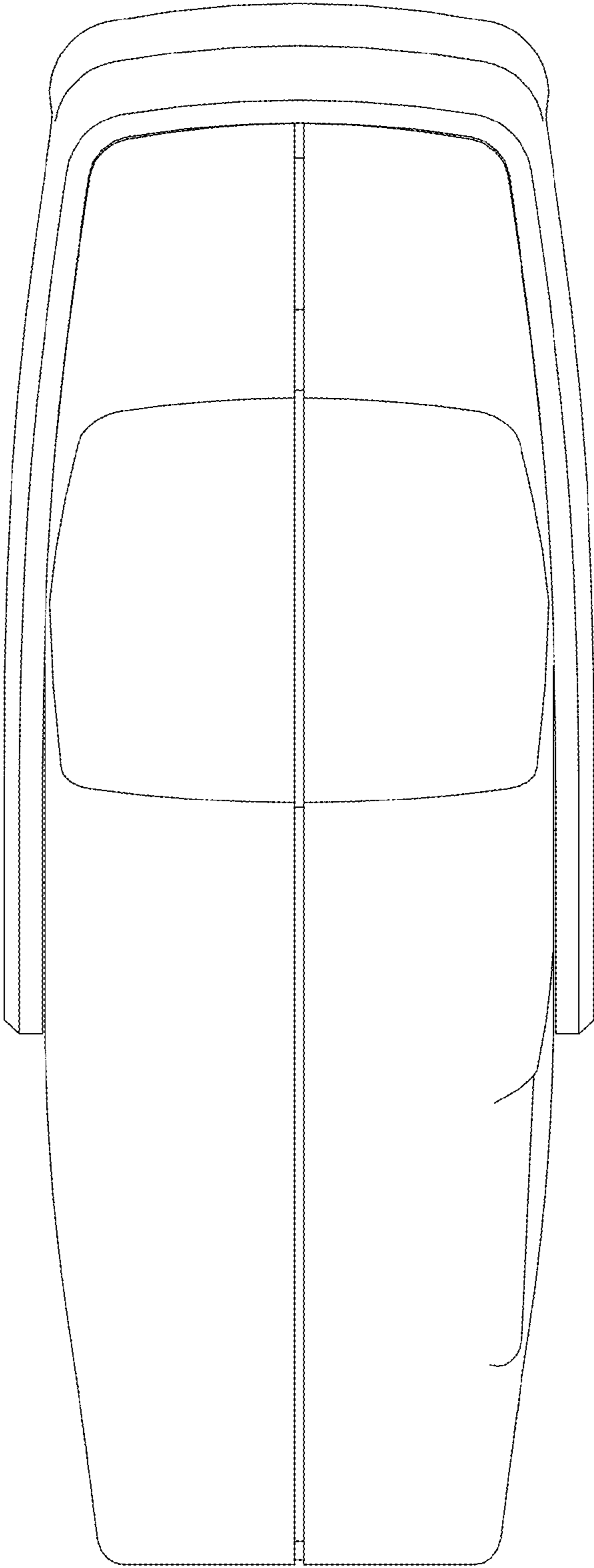


FIG. 3

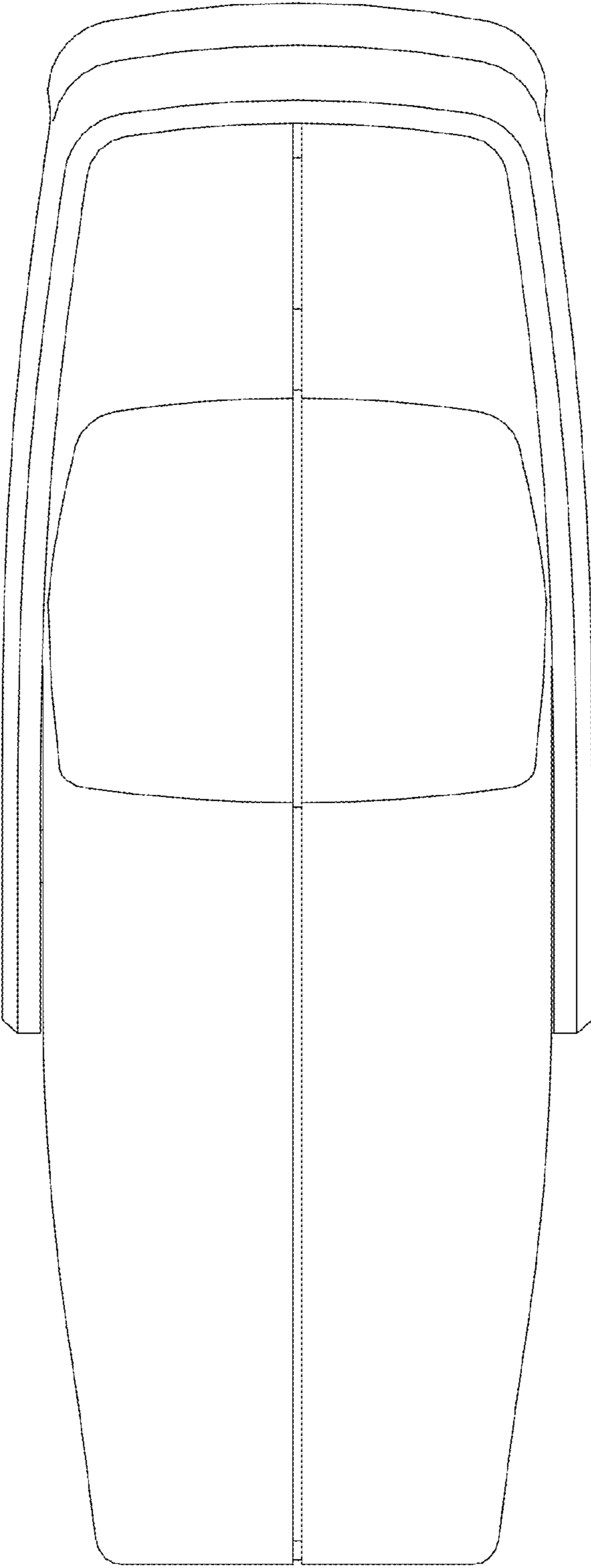


FIG. 4

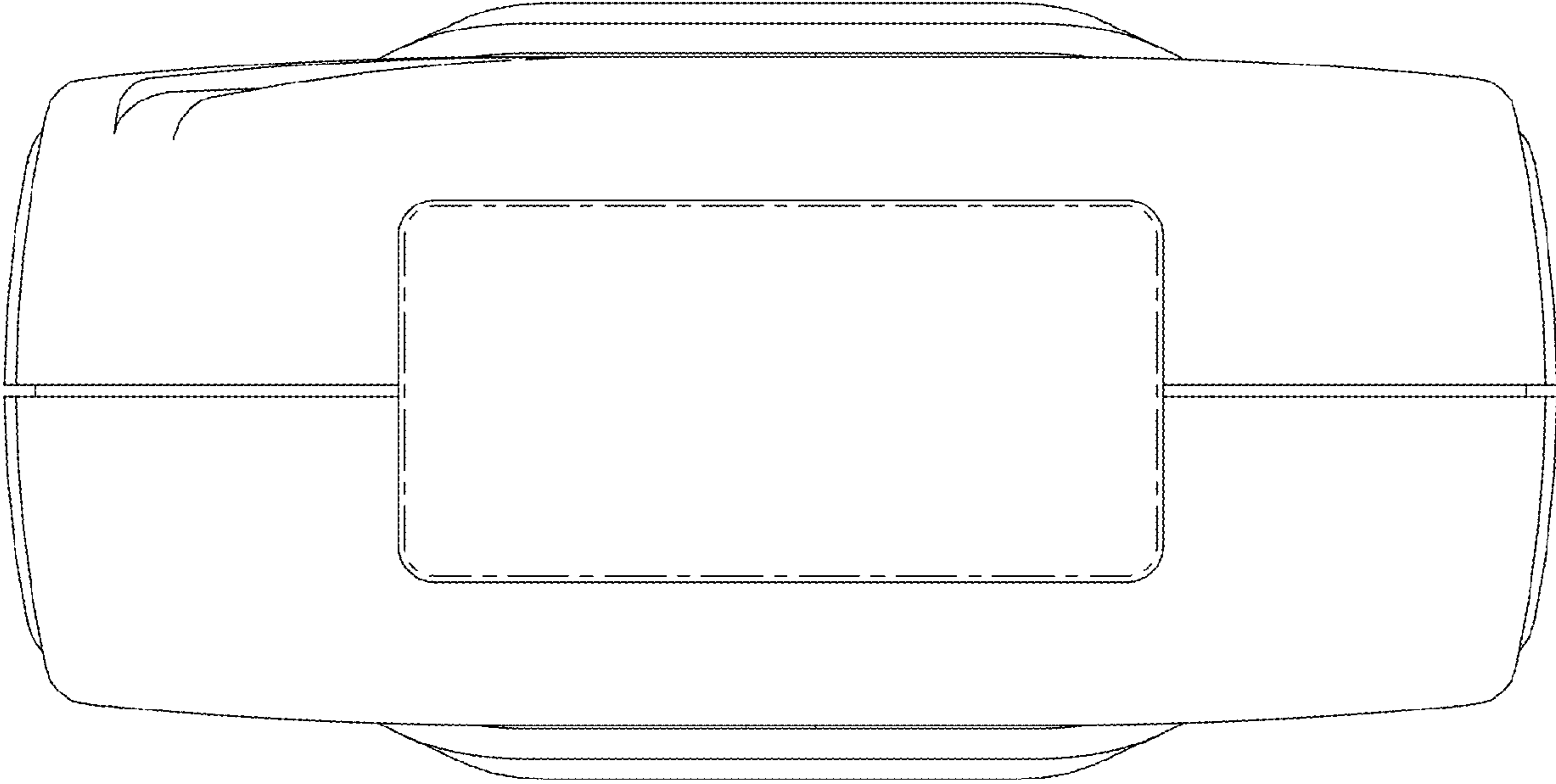


FIG. 5

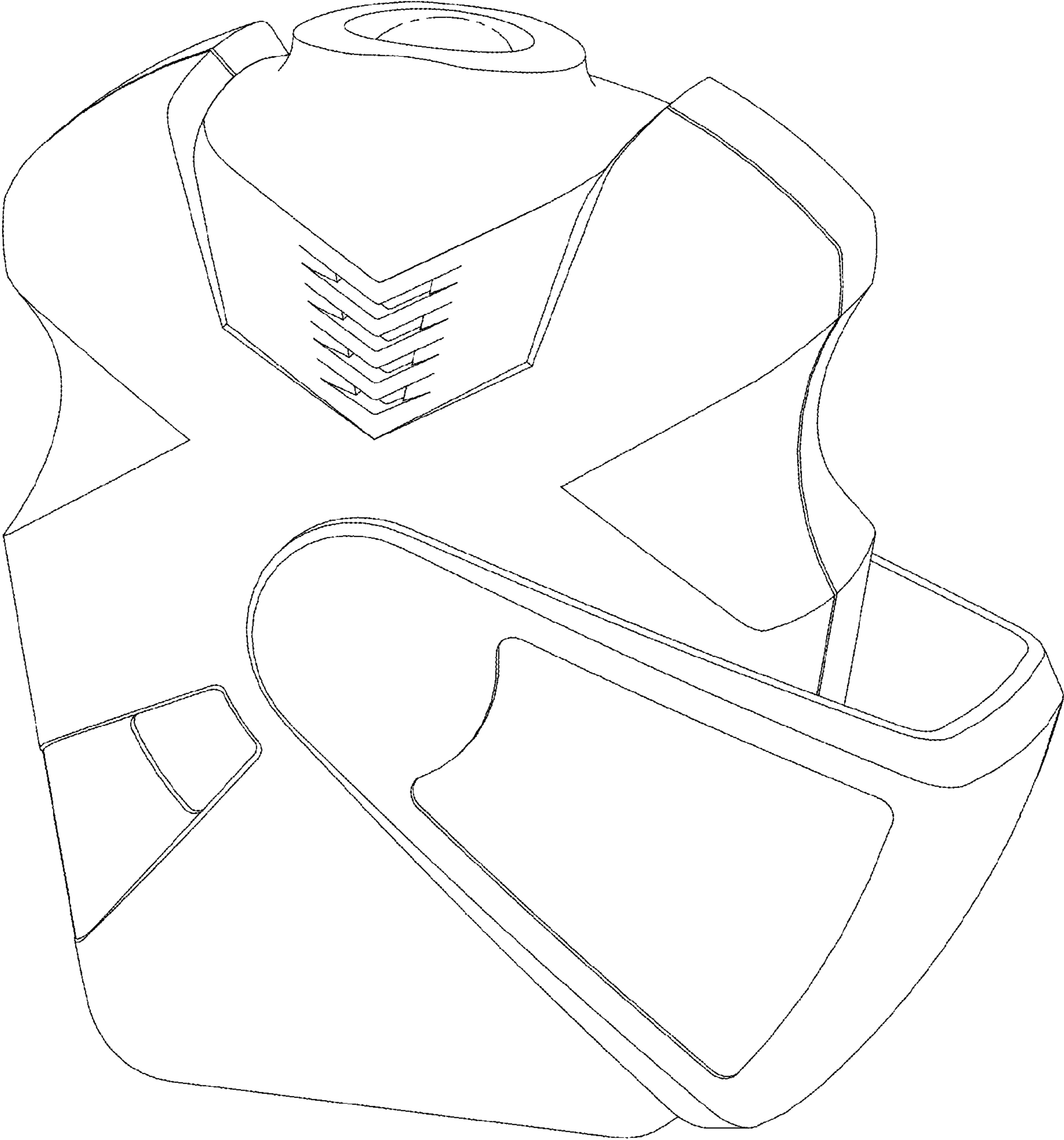


FIG. 6

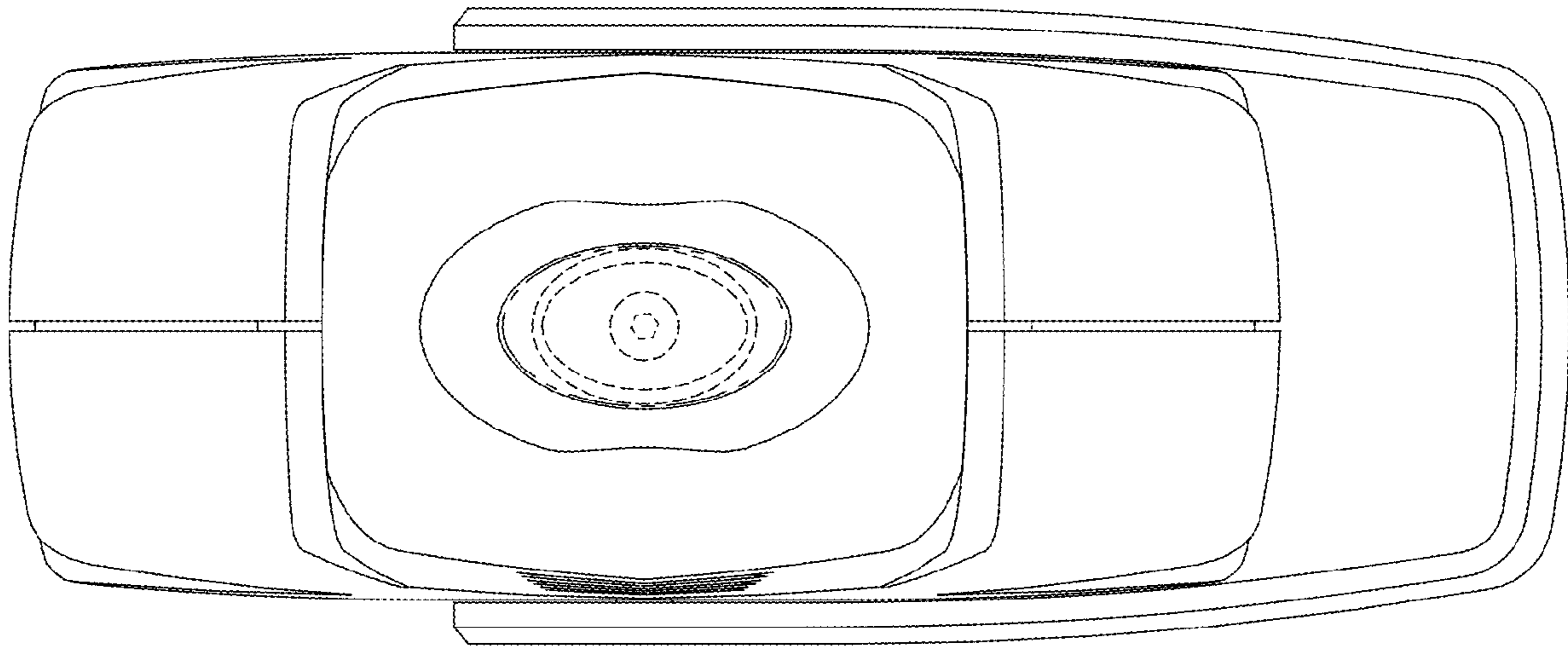


FIG. 7