



US00D989281S

(12) **United States Design Patent**
Sandberg

(10) **Patent No.:** **US D989,281 S**

(45) **Date of Patent:** **** Jun. 13, 2023**

(54) **BREAST PUMP**

(71) Applicant: **KONINKLIJKE PHILIPS N.V.**,
Eindhoven (NL)

(72) Inventor: **Emma Stina Katarina Sandberg**,
Amsterdam (NL)

(73) Assignee: **KONINKLIJKE PHILIPS N.V.**,
Eindhoven (NL)

(**) Term: **15 Years**

(21) Appl. No.: **29/735,501**

(22) Filed: **May 21, 2020**

(30) **Foreign Application Priority Data**

Nov. 21, 2019 (EM) 007272679

(51) **LOC (14) Cl.** **24-02**

(52) **U.S. Cl.**
USPC **D24/109; D24/127**

(58) **Field of Classification Search**
USPC D24/107-110, 111, 127, 129, 185,
D24/193-199, 203; D7/700; D9/434,
D9/435, 519, 549

CPC A61M 1/06; A61M 1/062; A61M 1/064;
A61M 1/067; A61M 1/068; A61M 1/066;
A61J 13/00; A61F 5/4407

See application file for complete search history.

(56) **References Cited**

U.S. PATENT DOCUMENTS

1,236,101 A * 8/1917 Newton E03B 9/20
239/24
D244,670 S * 6/1977 Winikoff A61M 1/064
D24/115
D251,015 S * 2/1979 Cone 604/74
4,794,915 A * 1/1989 Larsson A61M 1/06
604/74

D309,500 S * 7/1990 Yuan D24/109
D326,516 S * 5/1992 Chambers D24/109
D334,967 S * 4/1993 Kitsuda D23/206
D348,513 S * 7/1994 Bale D24/197
D423,107 S * 4/2000 Brown D24/197
D439,956 S * 4/2001 Nilsson D23/206
D456,897 S * 5/2002 Atkin D24/109
D484,236 S * 12/2003 Renz D24/109
D485,614 S * 1/2004 Renz D24/109
D486,223 S * 2/2004 Robson D24/109
D486,224 S * 2/2004 Gay, III D24/129

(Continued)

FOREIGN PATENT DOCUMENTS

CN 302798786 * 4/2014

OTHER PUBLICATIONS

[Philips Avent Double electric breast pump, Premium], red-dot.org,
Posted: 2020 [online], site visited: [Apr. 21, 2022], URL: <<https://www.red-dot.org/project/philips-avent-double-electric-breast-pump-premium-45416>>. (Year: 2020).*

(Continued)

Primary Examiner — Jonathan J Han
Assistant Examiner — Amanda J Berlinski

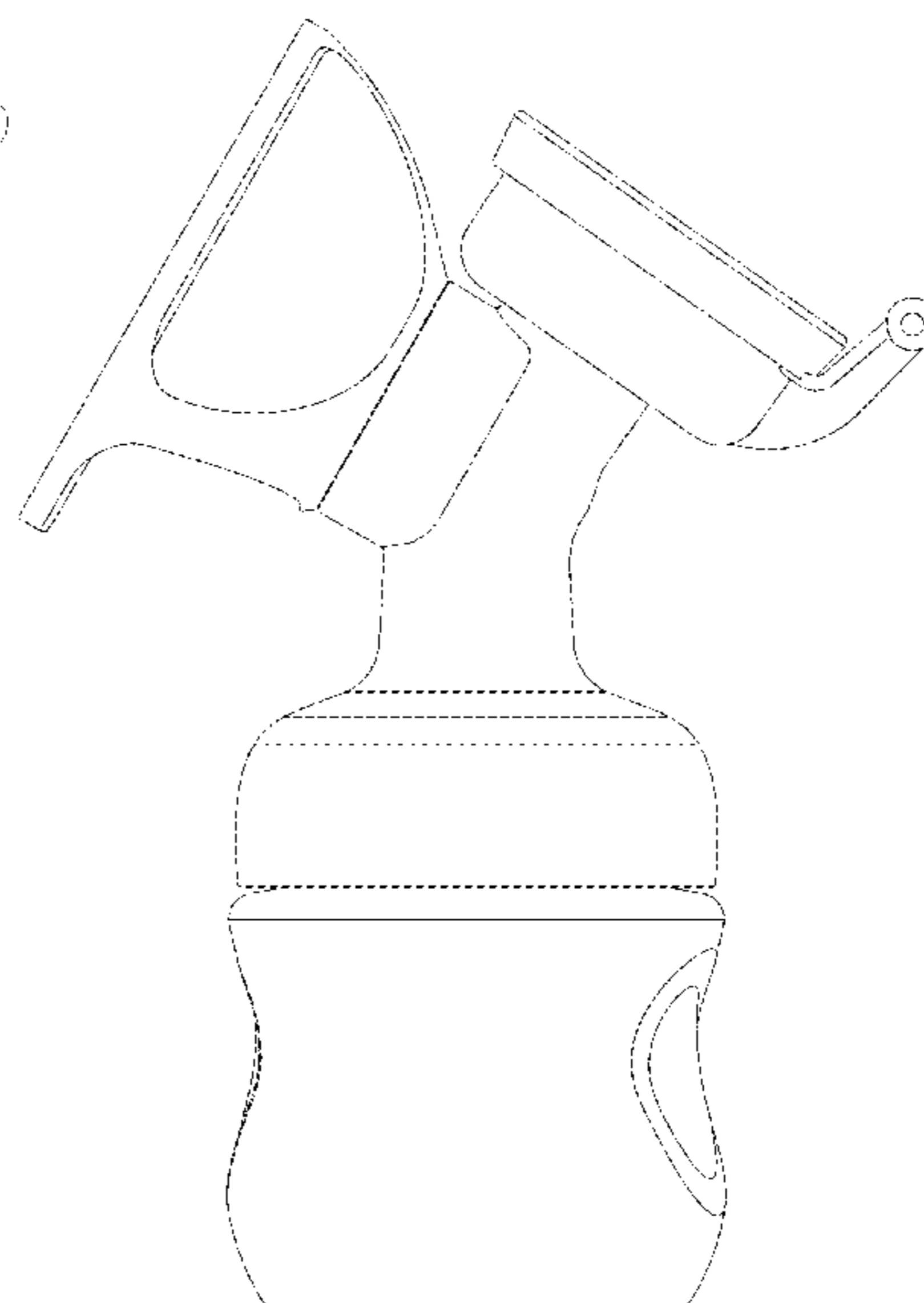
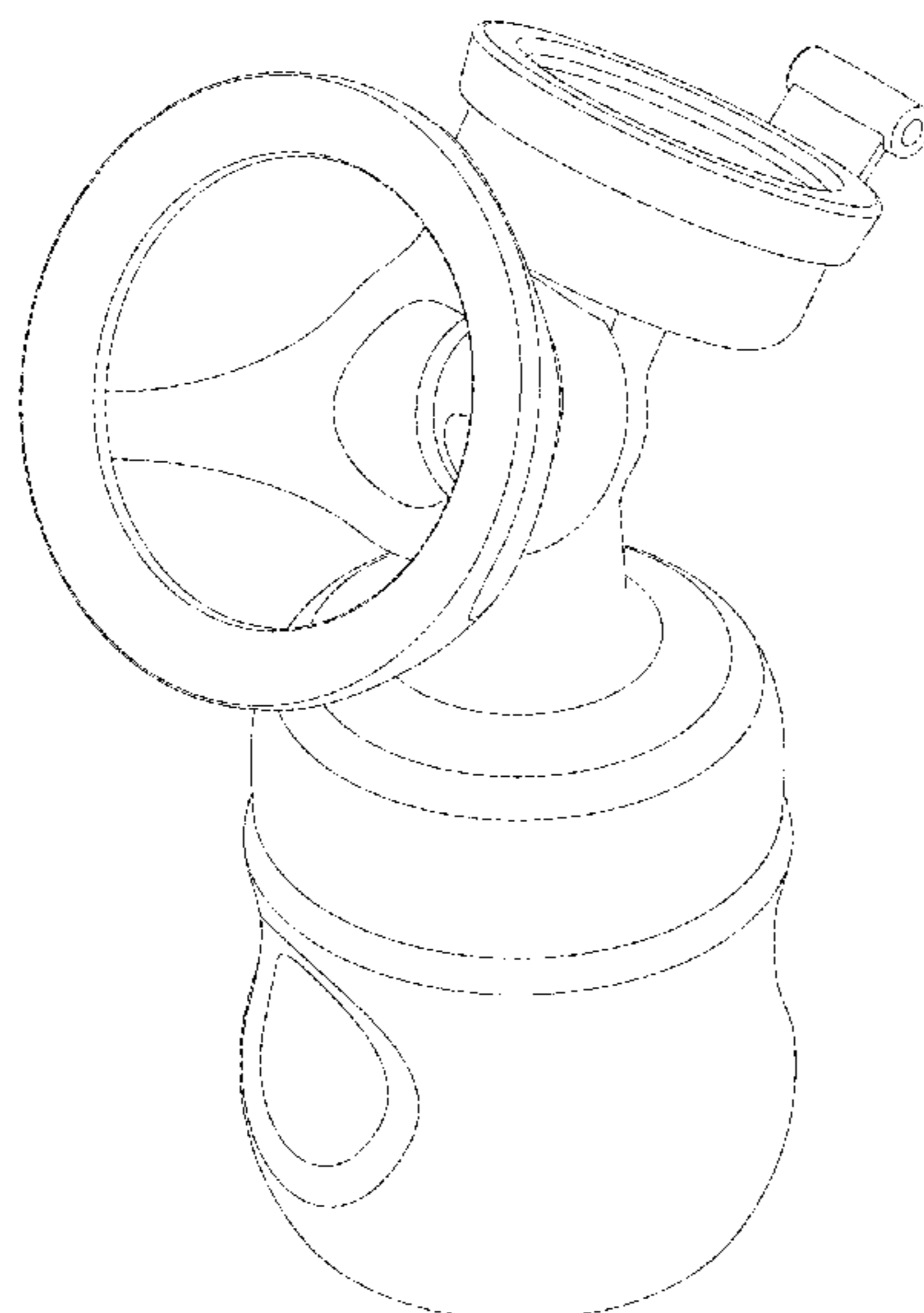
(57) **CLAIM**

The ornamental design for a breast pump, as shown and described.

DESCRIPTION

FIG. 1 is a perspective view showing a design for a breast pump;
FIG. 2 is a front elevational view thereof;
FIG. 3 is a rear elevational view thereof;
FIG. 4 is a right side elevational view thereof;
FIG. 5 is a left side elevational view thereof;
FIG. 6 is a top plan view thereof; and,
FIG. 7 is a bottom plan view thereof.

1 Claim, 7 Drawing Sheets



(56)

References Cited

U.S. PATENT DOCUMENTS

D486,225 S * 2/2004 Gay, III D24/129
 D496,725 S * 9/2004 Myers D24/109
 D564,656 S * 3/2008 Matsutori D24/109
 D609,331 S * 2/2010 Paterson D24/109
 D630,307 S * 1/2011 Rigolio D23/262
 D635,224 S * 3/2011 Rigolio A61M 1/86
 D23/262
 D646,792 S * 10/2011 Pope D24/194
 D674,100 S * 1/2013 Smith D24/197
 D676,956 S * 2/2013 Kirchner D24/109
 8,398,584 B2 * 3/2013 Britto A61M 1/06
 604/74
 D681,218 S * 4/2013 Smith D24/197
 D683,442 S * 5/2013 Cudworth D24/109
 D688,785 S * 8/2013 Cudworth D24/109
 D688,786 S * 8/2013 Cudworth D24/109
 D701,955 S * 4/2014 Thomas D24/109
 D710,695 S * 8/2014 Pritikin D9/435
 D766,420 S * 9/2016 Jaeger-Waldau D24/109
 D783,803 S * 4/2017 Rigert D24/109
 D810,924 S * 2/2018 Emmenegger D24/109
 D820,441 S * 6/2018 Ketelhohn A61M 1/86
 D24/129
 D820,973 S * 6/2018 Albert D24/109
 D882,062 S * 4/2020 Brown D24/109
 D886,985 S * 6/2020 Subbanna D24/109

D898,568 S * 10/2020 Apasov D9/440
 D900,998 S * 11/2020 Analytis D24/109
 D921,209 S * 6/2021 Grkman D24/197
 D926,976 S * 8/2021 Phillips D24/127
 D930,826 S * 9/2021 Marici D24/129
 D932,003 S * 9/2021 Zhang D24/109
 D941,460 S * 1/2022 Zhang D24/109
 D941,987 S * 1/2022 Sandberg D24/109
 D963,835 S * 9/2022 Conklin D24/109
 D968,585 S * 11/2022 Sandberg A61M 1/0693
 D24/109
 11,504,264 B2 * 11/2022 Johnson A61F 5/4407
 2016/0015876 A1 * 1/2016 Tattersfield A61M 1/82
 604/74
 2017/0182231 A1 * 6/2017 Aalders A61M 1/062
 2019/0336661 A1 * 11/2019 Berkhof H01L 41/0926
 2020/0086020 A1 * 3/2020 Duineveld A61M 1/064
 2020/0206399 A1 * 7/2020 Brown A61M 1/064
 2022/0409785 A1 * 12/2022 Bentvelsen A61M 1/0693

OTHER PUBLICATIONS

[Philips Avent Single Electric Breast Pump Advanced, with Natural Motion Technology, SCF391/62], Amazon.com, Date First Available: Jun. 3, 2021 [online], Customer Review Oldest Date: N/A [online], site visited: [Apr. 21, 2021], URL: <<https://www.amazon.ca/dp/B095XS1C6K>>. (Year: 2021).*

* cited by examiner

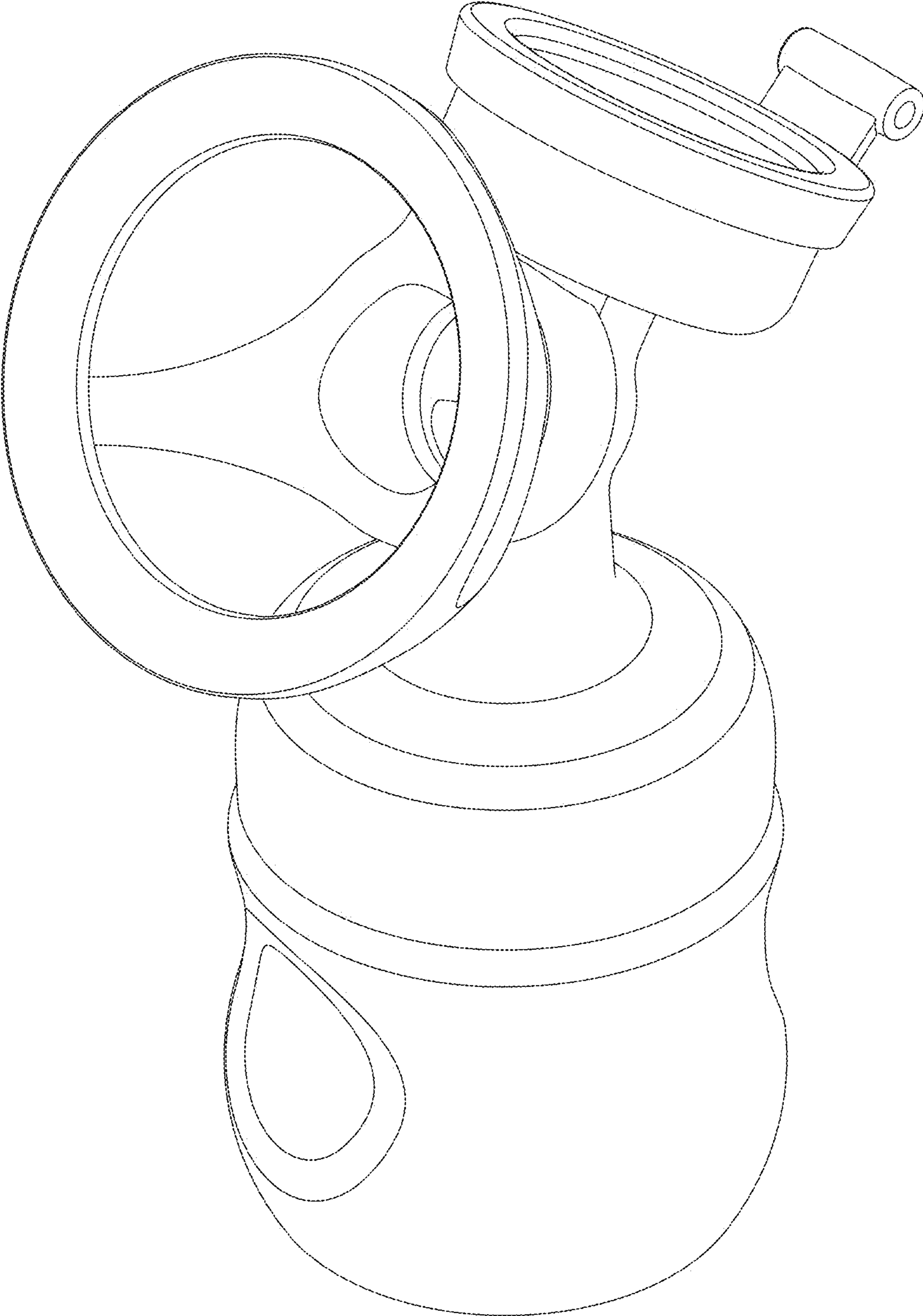


FIG. 1

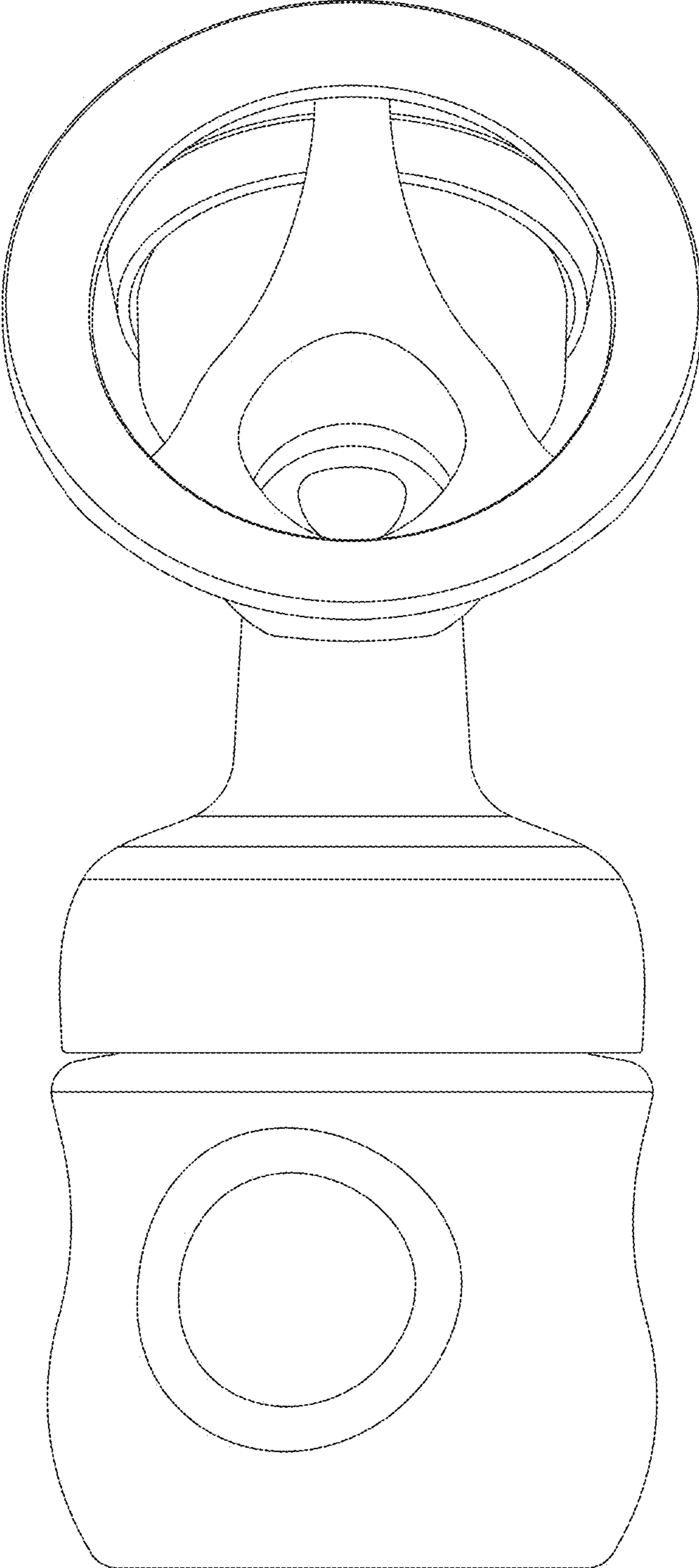


FIG. 2

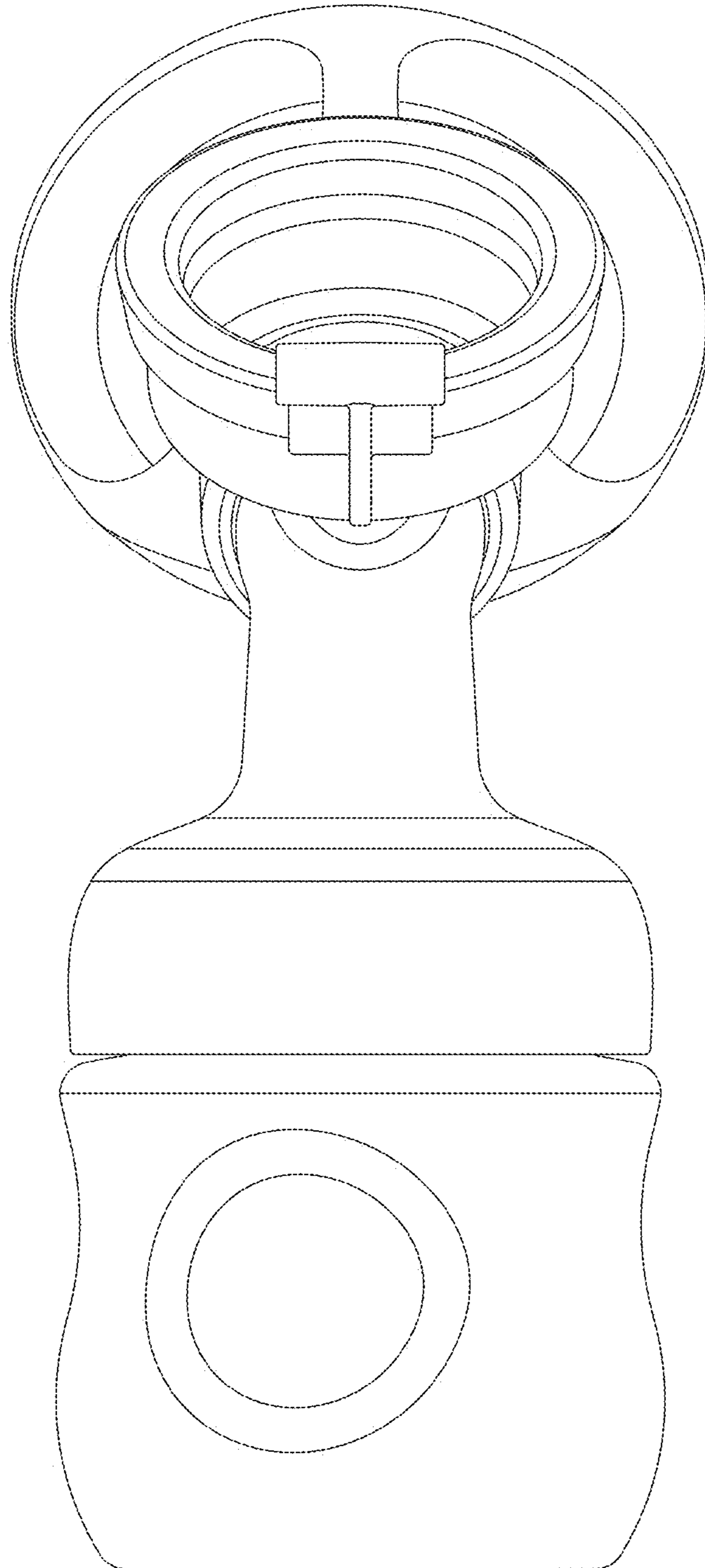


FIG. 3

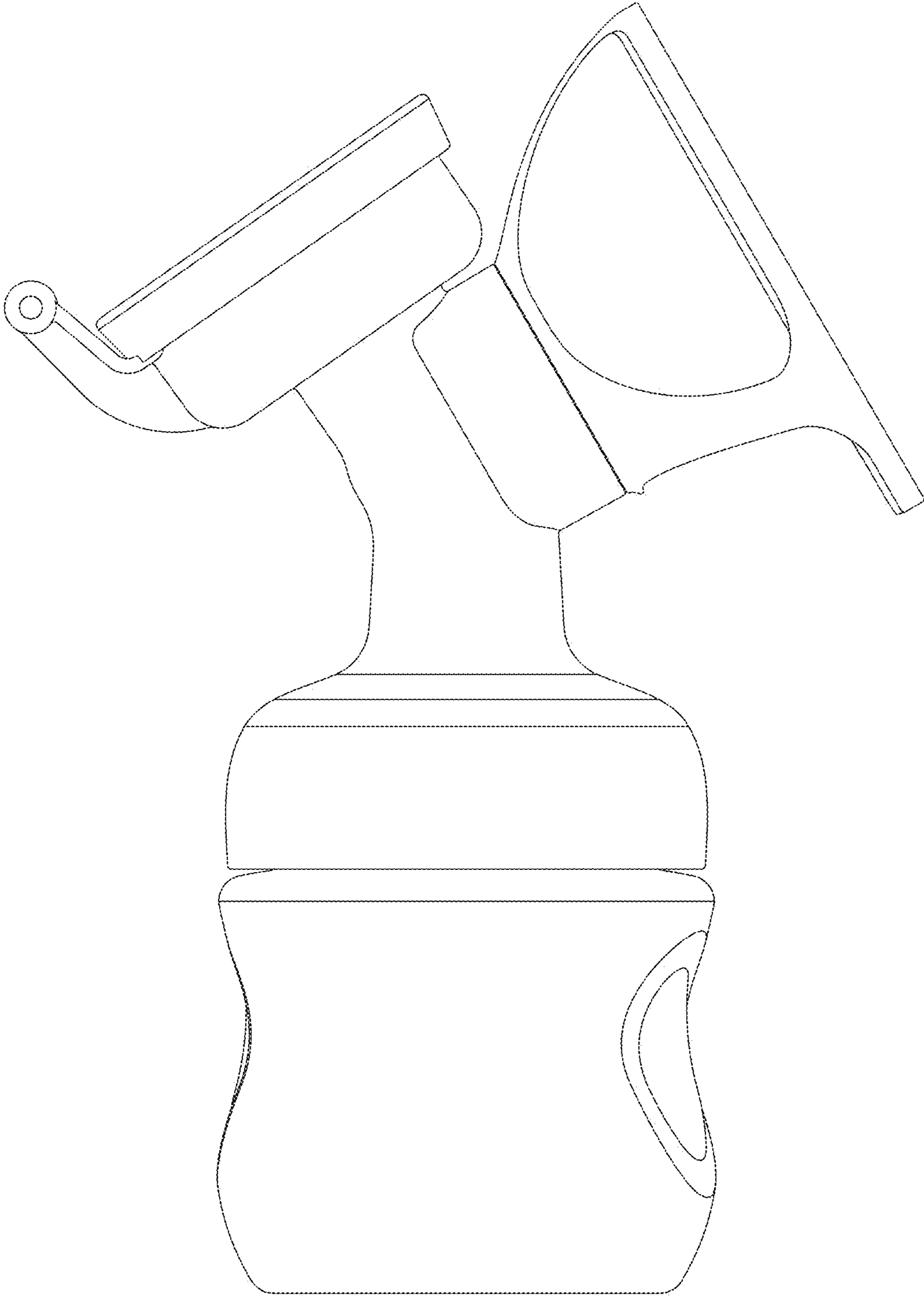


FIG. 4

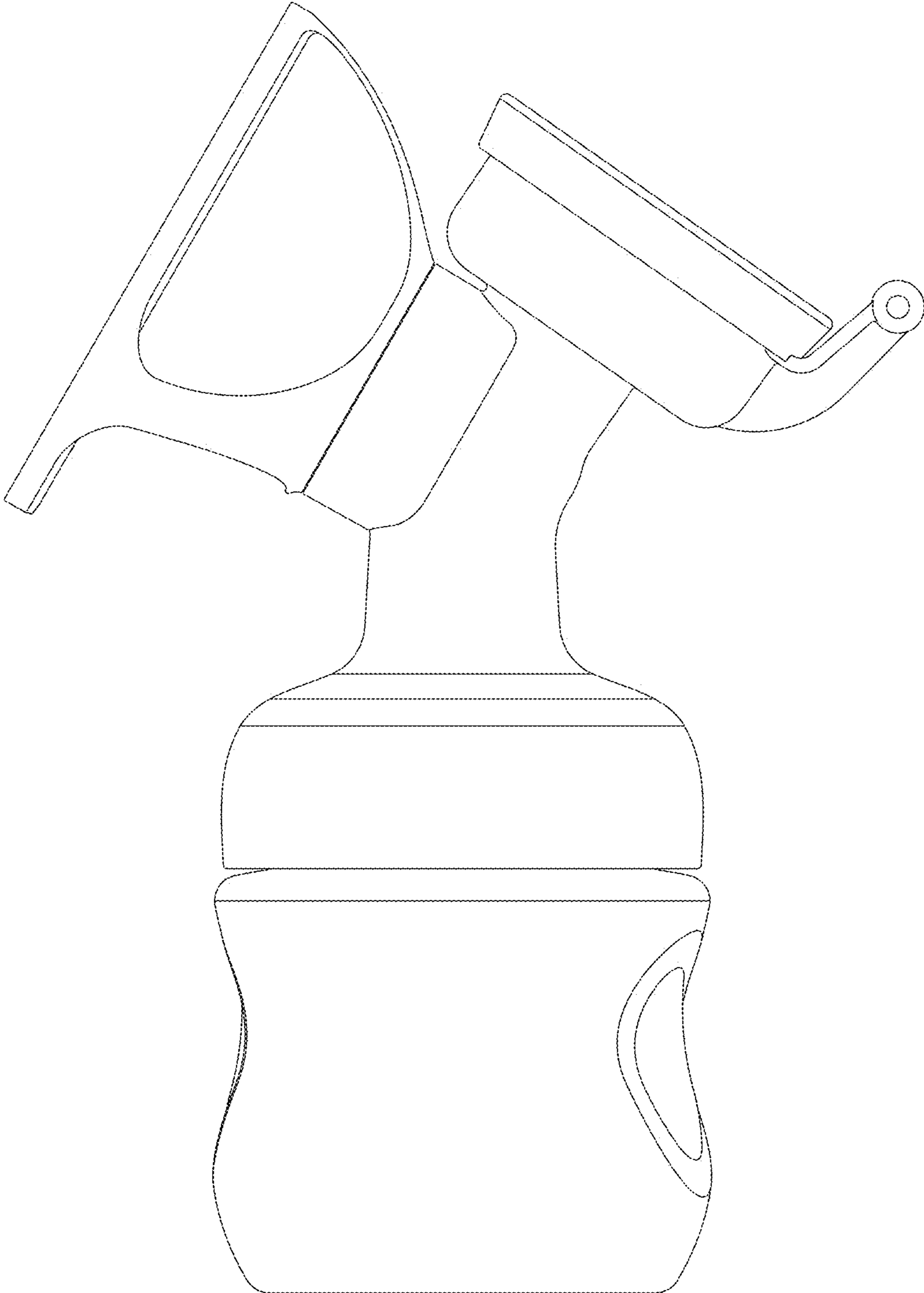


FIG. 5

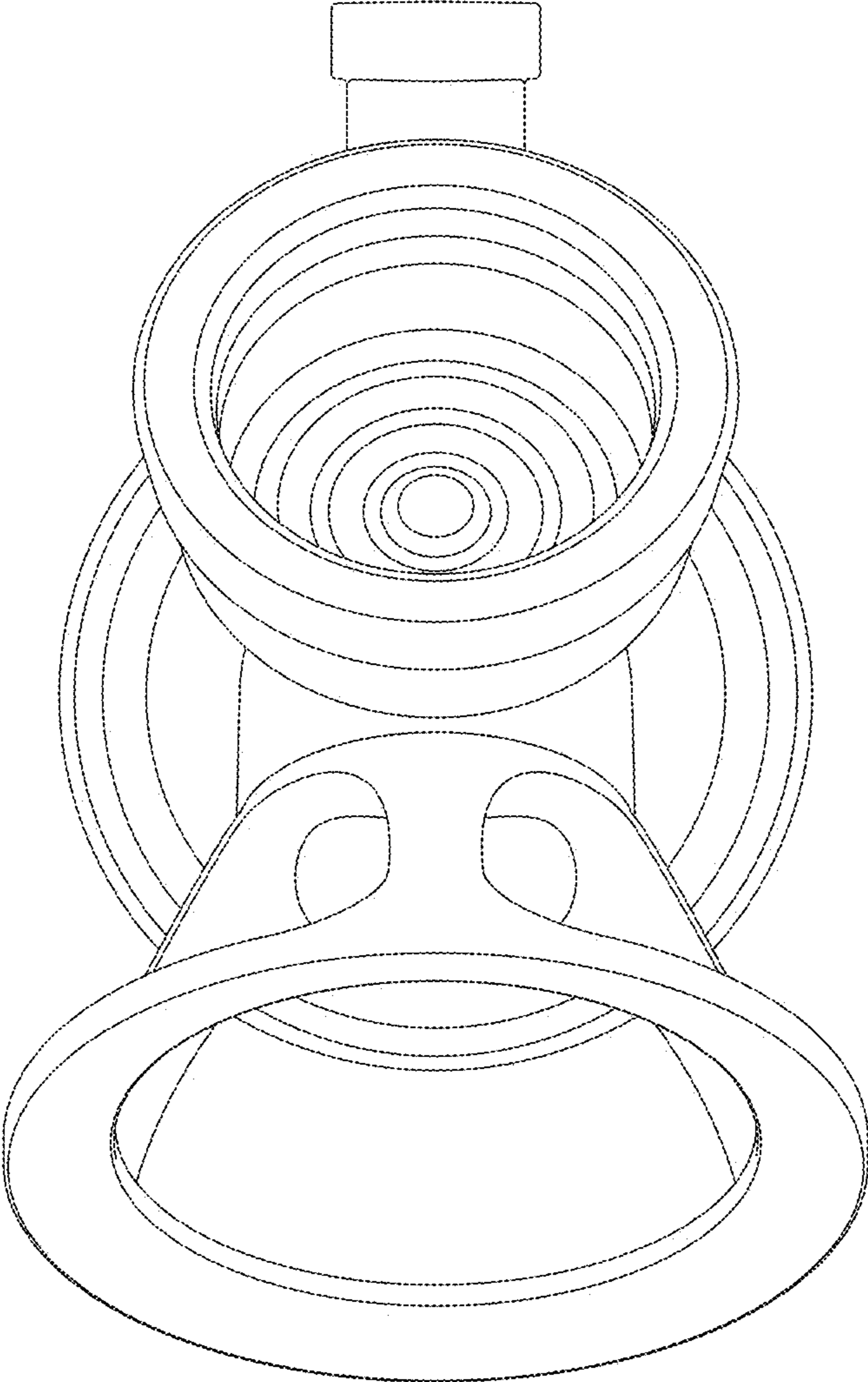


FIG. 6

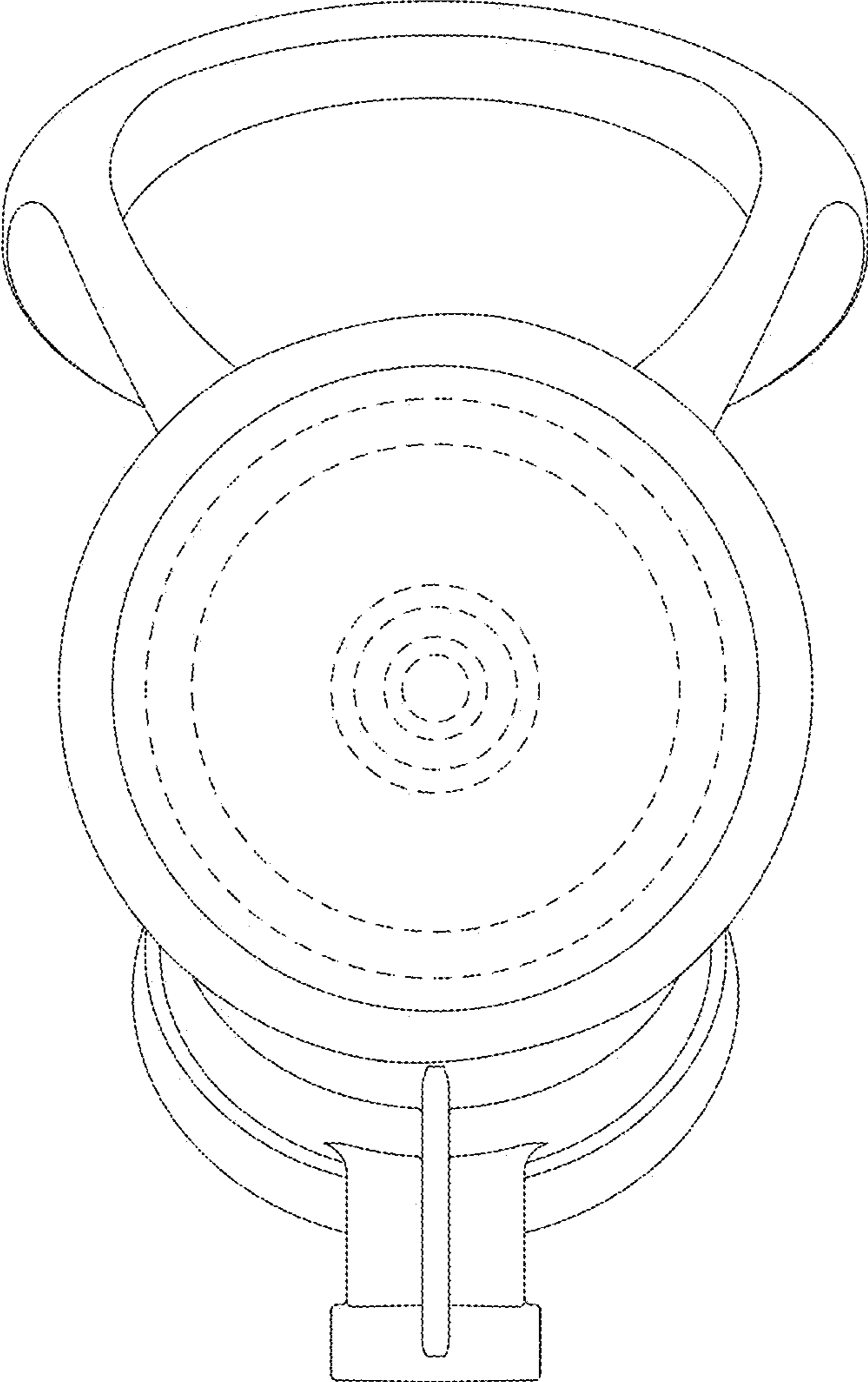


FIG. 7