



US00D989280S

(12) **United States Design Patent** (10) **Patent No.:** **US D989,280 S**
Label (45) **Date of Patent:** **** Jun. 13, 2023**

(54) **NASAL SPRAY DEVICE**
(71) Applicant: **APTAR FRANCE SAS**, Le Neubourg (FR)
(72) Inventor: **Baptiste Lebel**, Val de Reuil (FR)
(73) Assignee: **APTAR FRANCE SAS**, Le Neubourg (FR)
(**) Term: **15 Years**
(21) Appl. No.: **29/766,864**
(22) Filed: **Jan. 19, 2021**

(30) **Foreign Application Priority Data**
Aug. 5, 2020 (EM) 008078786-0004
(51) **LOC (14) Cl.** **24-02**
(52) **U.S. Cl.**
USPC **D24/108**
(58) **Field of Classification Search**
USPC D24/108, 110, 110.1, 112-115, 127, 128, D24/129, 130, 133, 186; D9/724; 128/200.24, 207.14, 207.15; 600/101, 600/139, 143; 604/93.01, 164.01-164.11, 604/187, 264, 272, 523-528; 606/181, 606/185
CPC A61F 2/958; A61M 1/008; A61M 2210/0618; A61M 25/0043; A61M 25/0067; A61M 25/0097; A61M 27/00; A61M 39/00
See application file for complete search history.

(56) **References Cited**

U.S. PATENT DOCUMENTS

4,946,069	A *	8/1990	Fuchs	B05B 11/02
					222/320
D331,106	S *	11/1992	Fuchs	D24/110
D359,555	S *	6/1995	Funai	D24/110
D414,261	S *	9/1999	Ritsche	D24/110
D414,555	S *	9/1999	Ritsche	D24/110
D433,123	S *	10/2000	Sheppard	D24/110
6,708,846	B1 *	3/2004	Fuchs	A61M 11/007
					222/386
D545,959	S *	7/2007	Cierley	D24/110
D684,255	S *	6/2013	Ritsche	D24/110
D694,399	S *	11/2013	Ritsche	D24/110
D697,201	S *	1/2014	Coghill	D24/110
D828,543	S *	9/2018	Khan	D24/114
D923,776	S *	6/2021	Hartman	D24/114

* cited by examiner
Primary Examiner — Richard Kearney
Assistant Examiner — Michael Hoffman
(74) *Attorney, Agent, or Firm* — Sughrue Mion, PLLC

(57) **CLAIM**
The ornamental design for a nasal spray device, as shown and described.

DESCRIPTION
FIG.1 is a perspective view according to my new design.
FIG. 2 is a front view thereof;
FIG. 3 is a side view thereof;
FIG. 4 is a top view thereof; and,
FIG. 5 is a bottom view thereof.

1 Claim, 5 Drawing Sheets

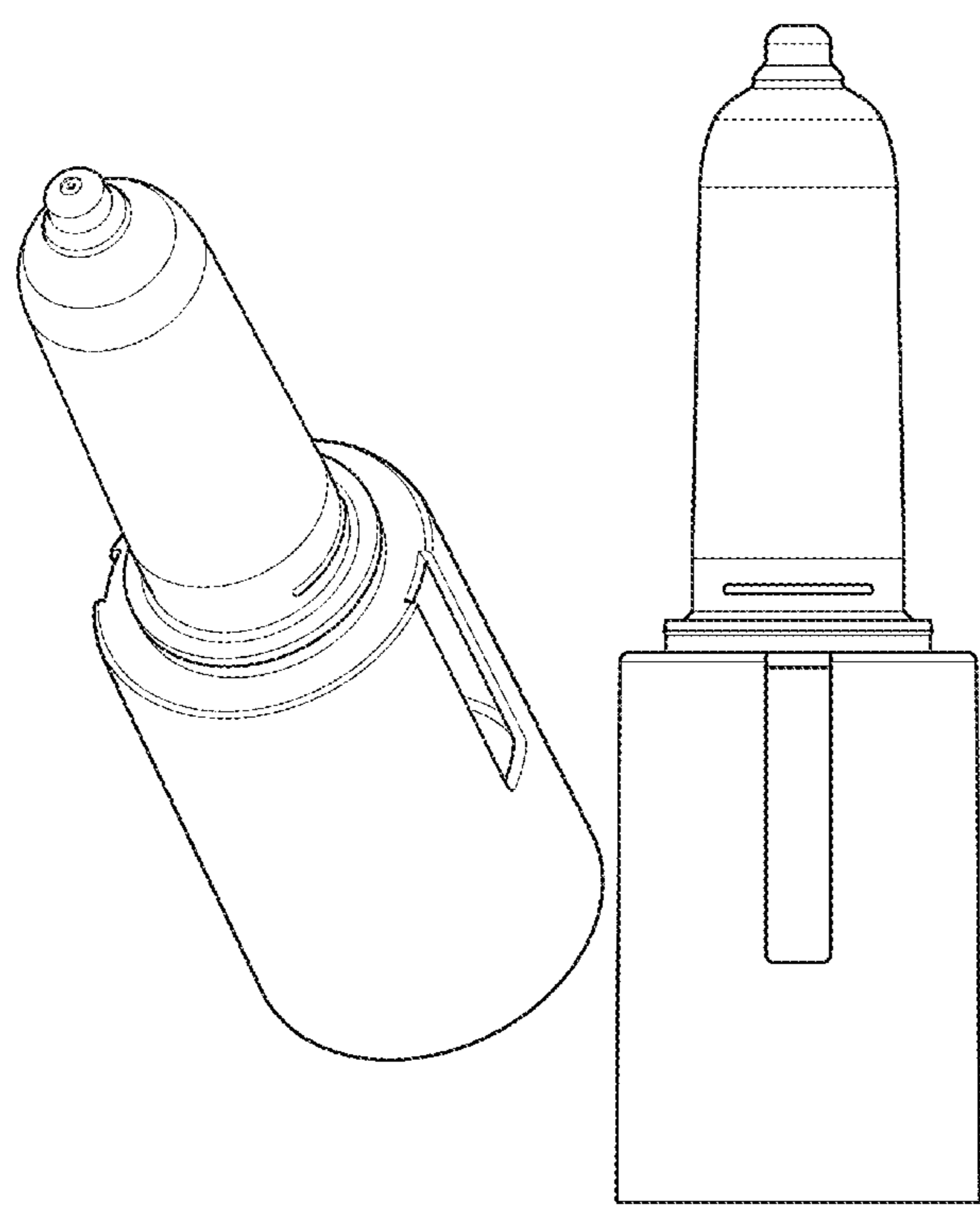


FIG. 1

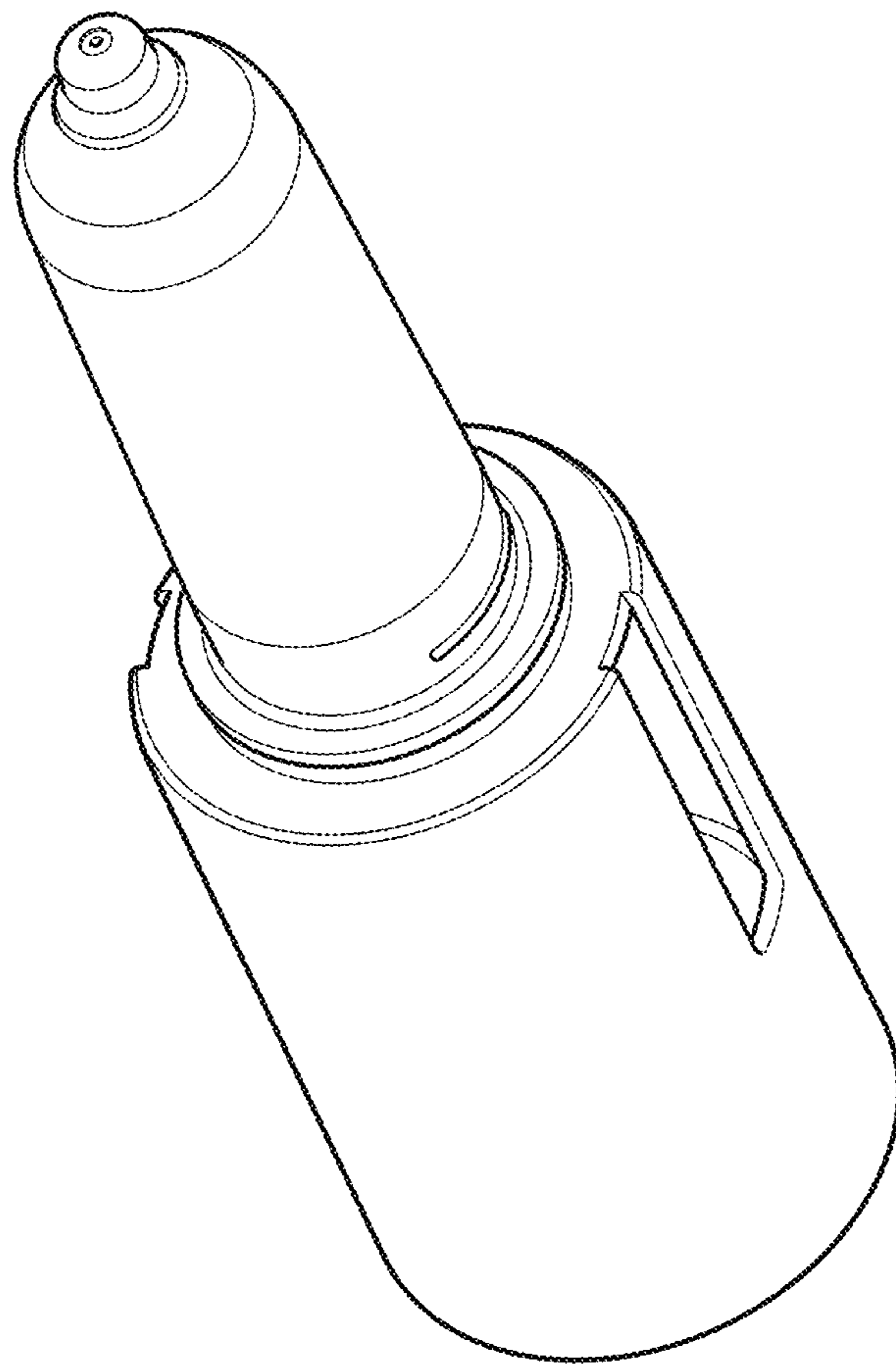


FIG. 2

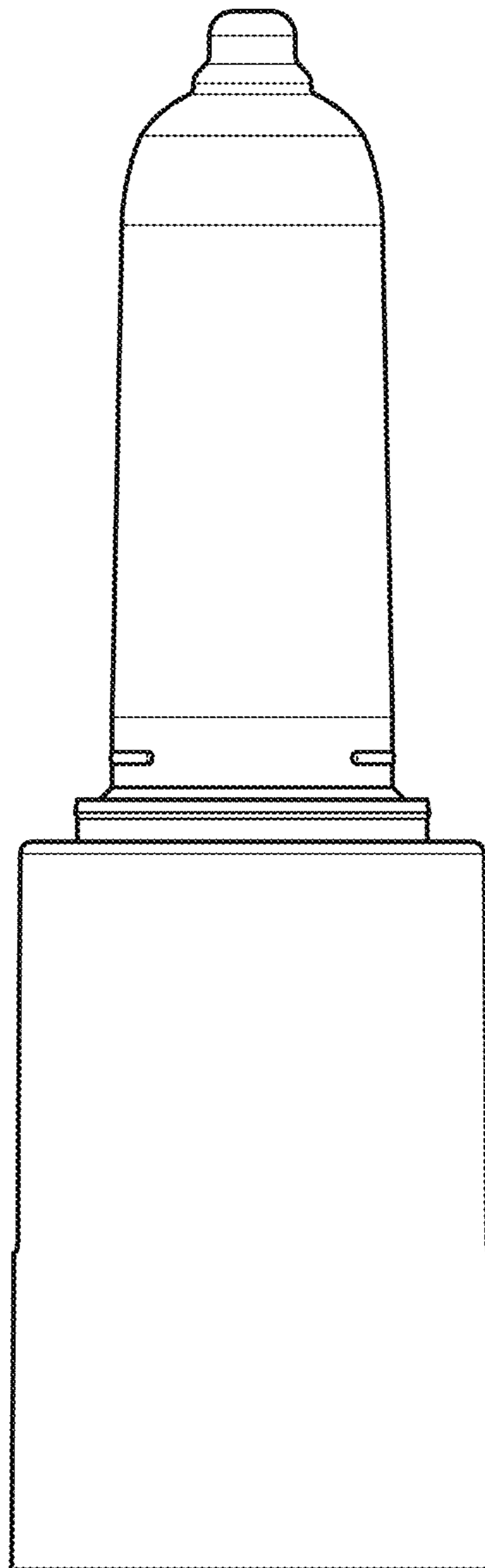


FIG. 3

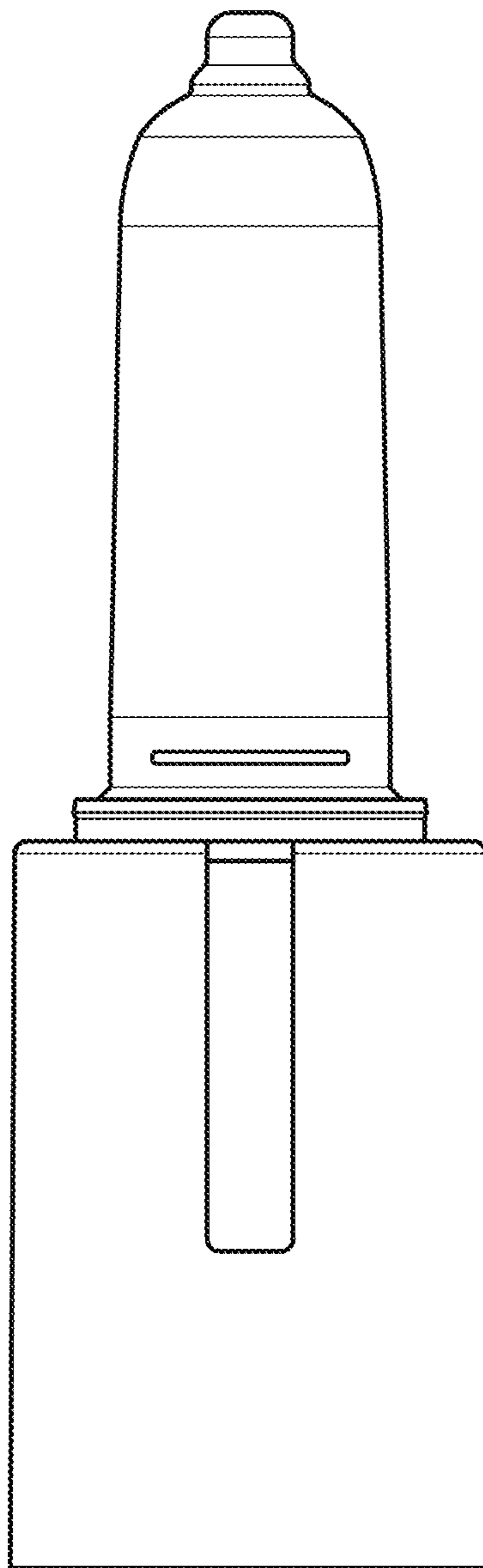


FIG. 4

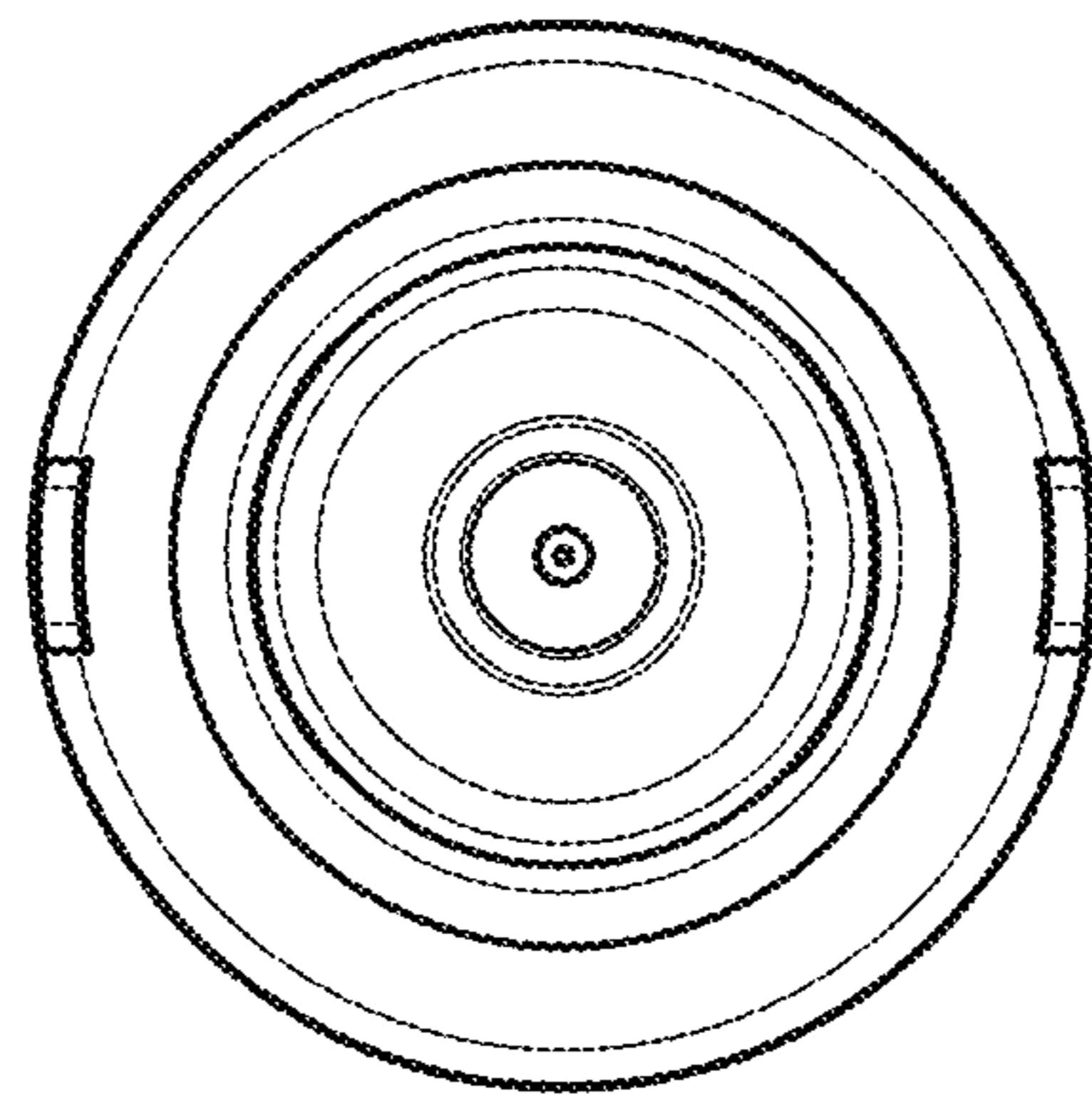


FIG. 5

