



US00D989278S

(12) **United States Design Patent**
Giovacchini

(10) **Patent No.:** **US D989,278 S**

(45) **Date of Patent:** **** Jun. 13, 2023**

(54) **BODY TEMPERATURE SCREENING CONTROL UNIT**

(71) Applicant: **Walmart Apollo, LLC**, Bentonville, AR (US)

(72) Inventor: **Ryan J. Giovacchini**, Rogers, AR (US)

(73) Assignee: **WALMART APOLLO, LLC**, Bentonville, AR (US)

(**) Term: **15 Years**

(21) Appl. No.: **29/755,294**

(22) Filed: **Oct. 19, 2020**

(51) **LOC (14) Cl.** **24-02**

(52) **U.S. Cl.**
USPC **D24/185**; D24/107; D14/305

(58) **Field of Classification Search**
USPC D24/107, 111, 137, 138, 158, 160, 165, D24/167, 169, 177, 183, 184, 185, 186; D10/52, 66, 78, 80, 81; D14/130, 307, D14/371, 374, 383; D20/10
CPC A61B 5/0008; A61B 5/01; A61B 5/7495; A61B 5/015
See application file for complete search history.

(56) **References Cited**

U.S. PATENT DOCUMENTS

D338,452 S *	8/1993	Allgeier	A61B 8/4427
				D14/374
D478,984 S *	8/2003	Hall	D24/111
D536,795 S *	2/2007	Knieriem	D24/186
D596,598 S *	7/2009	Huang	D14/130
7,556,616 B2 *	7/2009	Fathallah	A61M 5/1413
				604/131
D609,349 S *	2/2010	Pelissier	D24/186
D638,543 S *	5/2011	Geisser	D24/138
D664,258 S *	7/2012	Harkin	D24/186
D669,096 S *	10/2012	Katsura	D15/7
D683,034 S *	5/2013	Shigeno	D24/186
D706,239 S *	6/2014	Chen	D14/186

D711,003 S *	8/2014	Chen	D24/186
D714,948 S *	10/2014	Vaccarella	D24/186
D725,784 S *	3/2015	Xia	D24/186
D734,475 S *	7/2015	Ross	D24/185
9,307,912 B2	4/2016	Mullin		
9,398,856 B2	7/2016	Abreu		

(Continued)

FOREIGN PATENT DOCUMENTS

WO 2022086896 A1 4/2022

OTHER PUBLICATIONS

U.S. Appl. No. 29/755,299, filed Oct. 19, 2020, Chandan Sharma.

Primary Examiner — Jonathan J Han

Assistant Examiner — Amanda J Berlinski

(74) *Attorney, Agent, or Firm* — Fitch, Even, Tabin & Flannery LLP

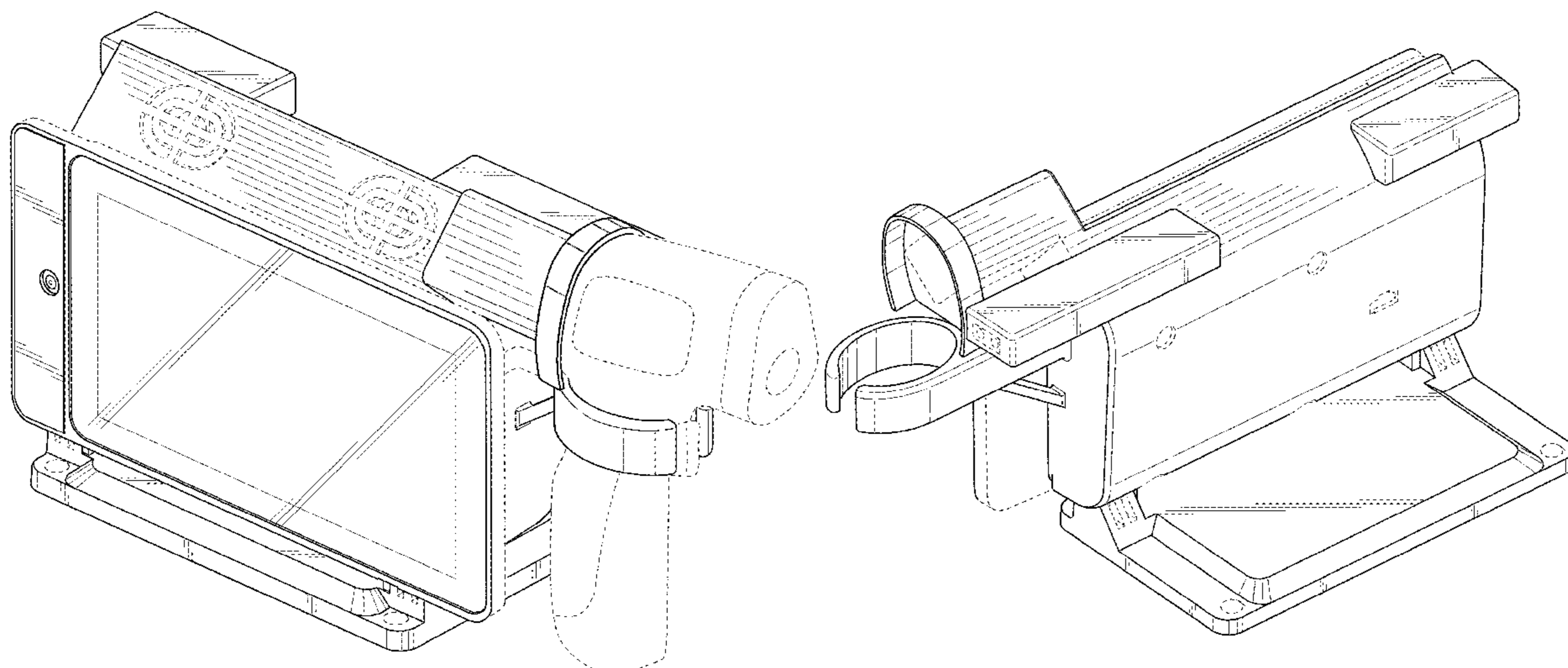
(57) **CLAIM**

I claim the ornamental design for a body temperature screening control unit, as shown and described.

DESCRIPTION

FIG. 1 is a perspective view of the body temperature screening control unit shown with a temperature sensor; FIG. 2 is a front perspective view of the body temperature screening control unit of FIG. 1; FIG. 3 is a rear perspective view thereof; FIG. 4 is a top plan view thereof; FIG. 5 is a front elevation view thereof; FIG. 6 is a left side elevation view thereof; FIG. 7 is a right side elevation view thereof; FIG. 8 is a rear elevation view thereof; and, FIG. 9 is a bottom plan view thereof. The broken lines in the figures depict portions of the body temperature screening control unit that form no part of the claimed design.

1 Claim, 6 Drawing Sheets



(56)

References Cited

U.S. PATENT DOCUMENTS

D765,832	S	*	9/2016	Hochman	D24/111
D794,207	S	*	8/2017	Flanagan	D24/186
D803,386	S	*	11/2017	Sabin	D24/108
D803,387	S	*	11/2017	Bodwell	D24/108
D805,183	S	*	12/2017	Sabin	D24/108
D820,257	S	*	6/2018	Meurer	D24/185
D852,661	S	*	7/2019	Park	D24/186
D859,634	S	*	9/2019	Hochman	D24/111
D871,589	S	*	12/2019	Oshima	D24/186
D872,862	S	*	1/2020	Mao	D24/186
D905,249	S	*	12/2020	He	A61M 5/1413
						D24/185
D909,589	S	*	2/2021	Kohno	D24/186
D938,497	S	*	12/2021	Clouser	D15/7
D939,079	S	*	12/2021	Harris	D24/111
D944,795	S	*	3/2022	Xiong	D14/371
D951,935	S	*	5/2022	Ushery, Jr.	D14/307
D972,552	S	*	12/2022	Son	D14/307
2008/0018480	A1		1/2008	Sham		
2008/0249406	A1*		10/2008	Naruse	A61B 8/00
						600/437
2013/0226354	A9		8/2013	Ruff		
2014/0014790	A1*		1/2014	White	F16M 11/041
						248/122.1
2015/0314066	A1*		11/2015	Shimizu	A61M 5/16831
						604/506
2016/0113517	A1		4/2016	Lee		
2018/0021015	A1*		1/2018	Naruse	A61B 8/4427
						600/437
2022/0117496	A1		4/2022	Ellison		
2022/0120618	A1		4/2022	Ellison		

* cited by examiner

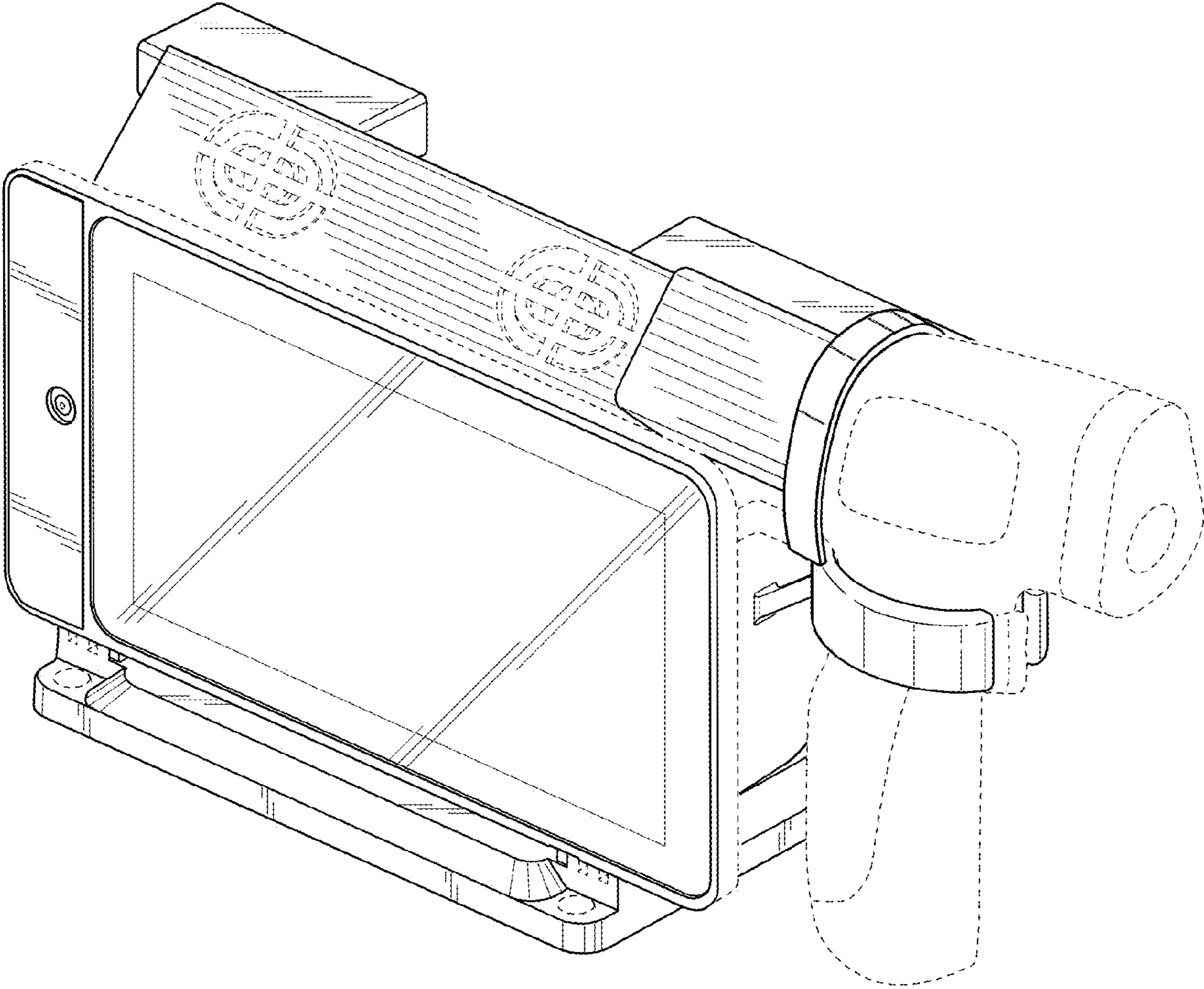


FIG. 1

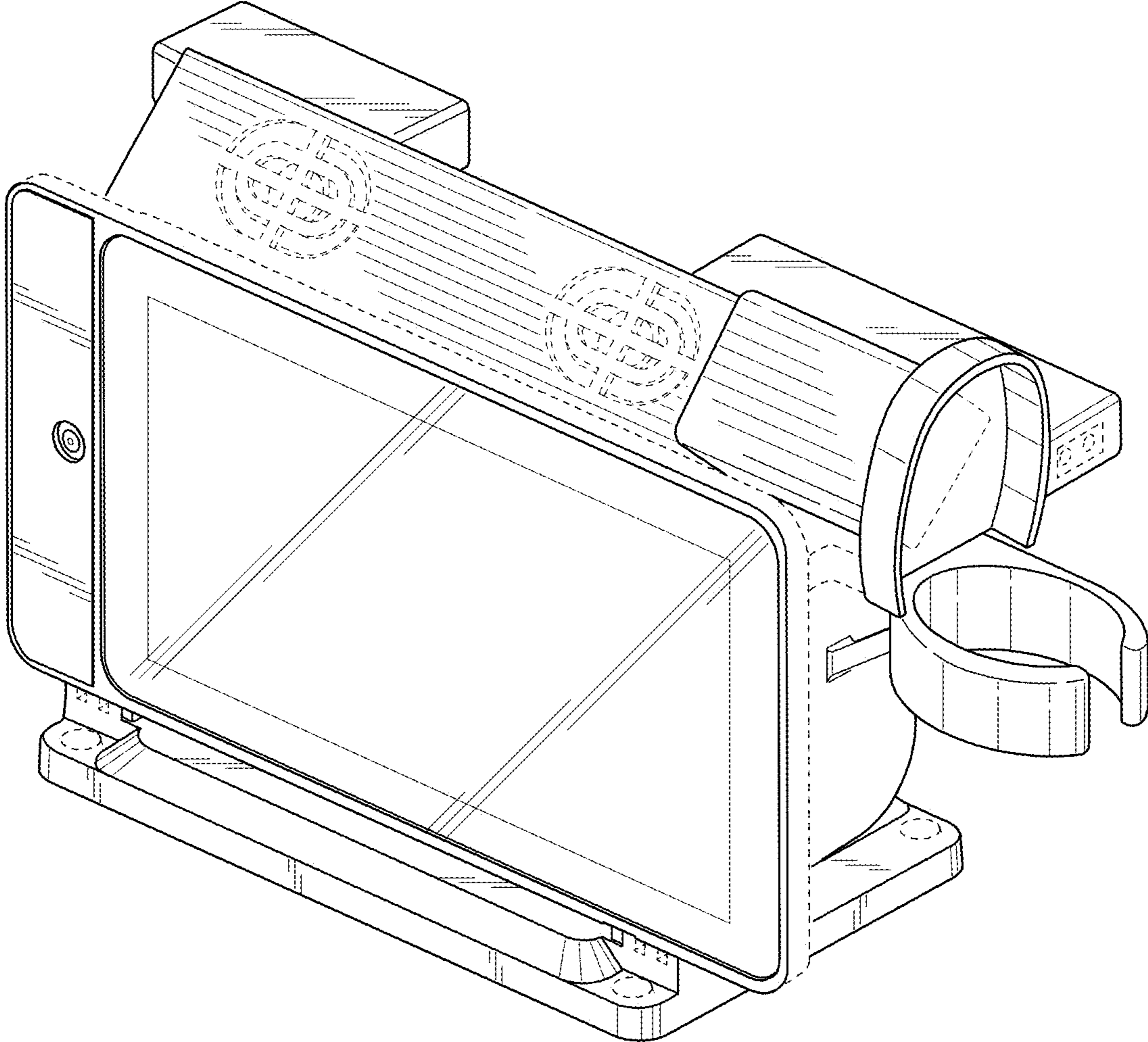


FIG. 2

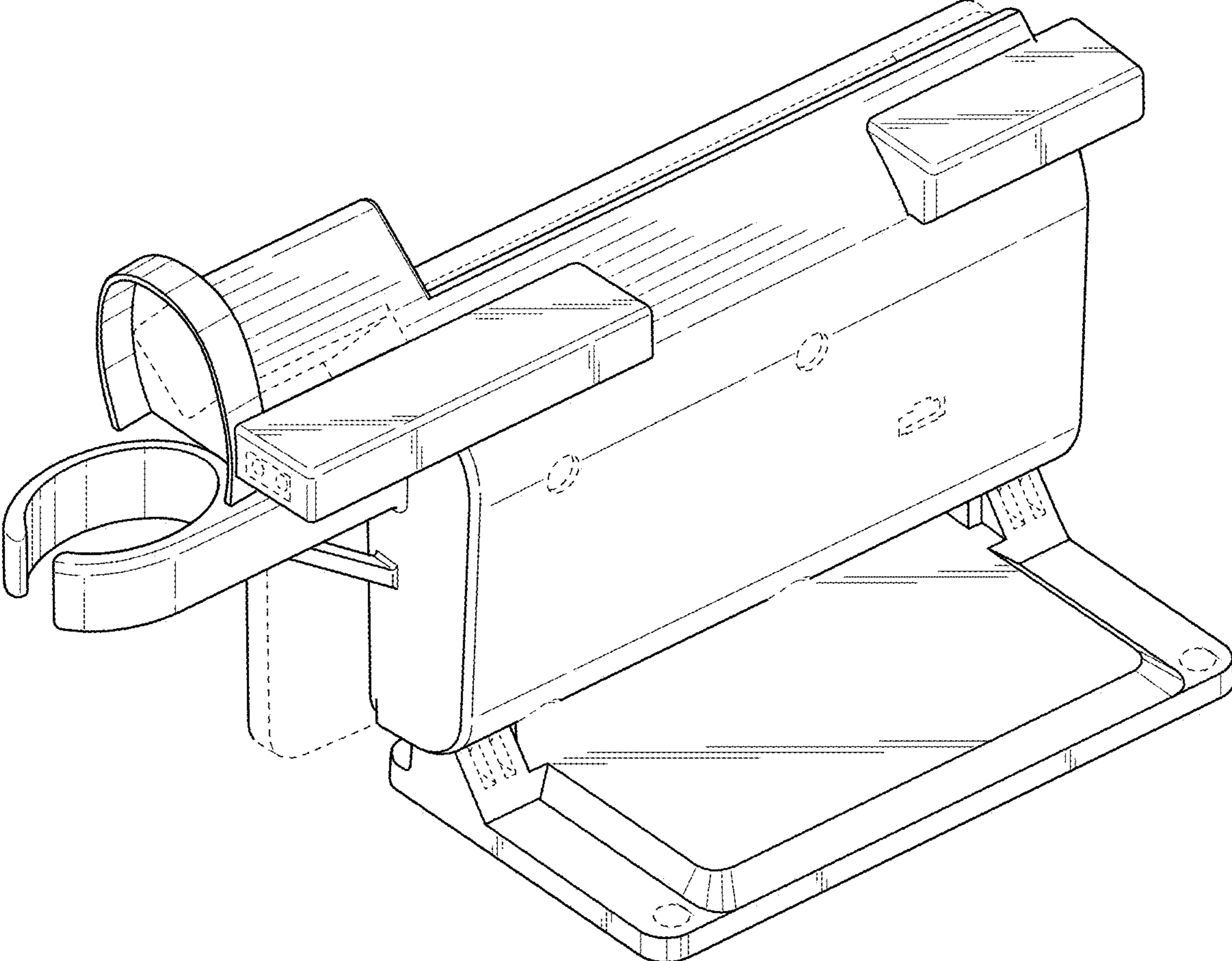


FIG. 3

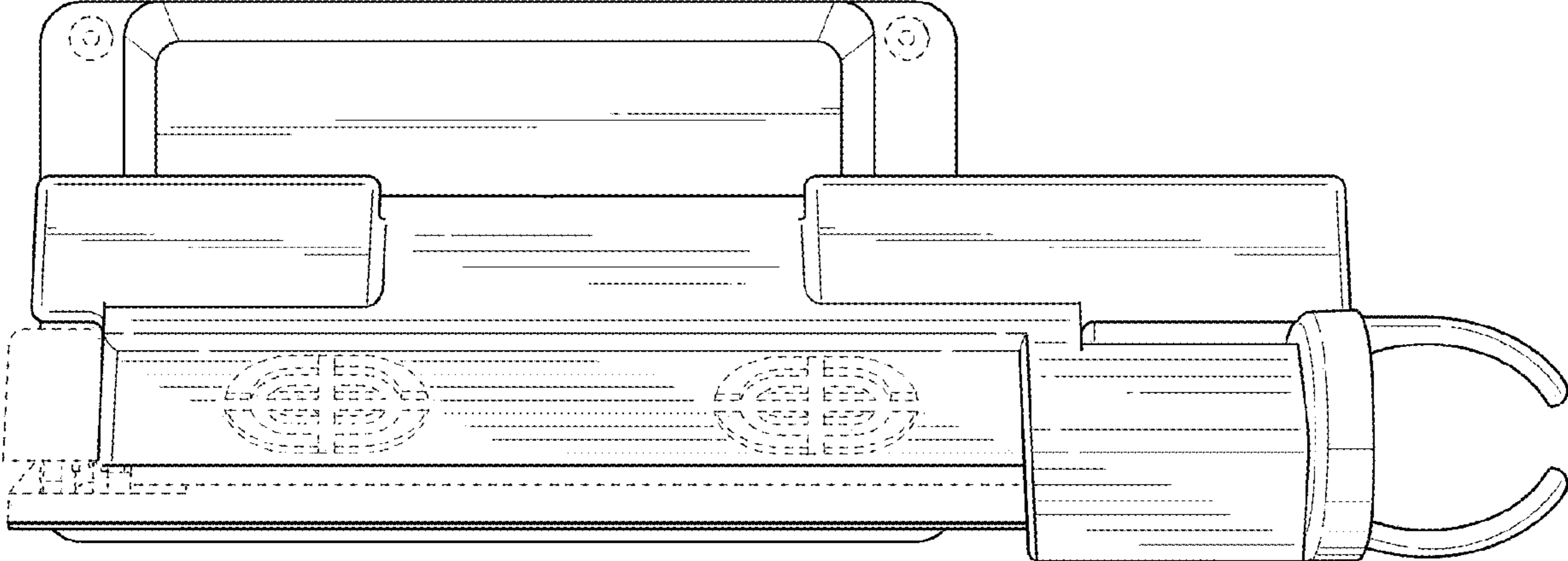


FIG. 4

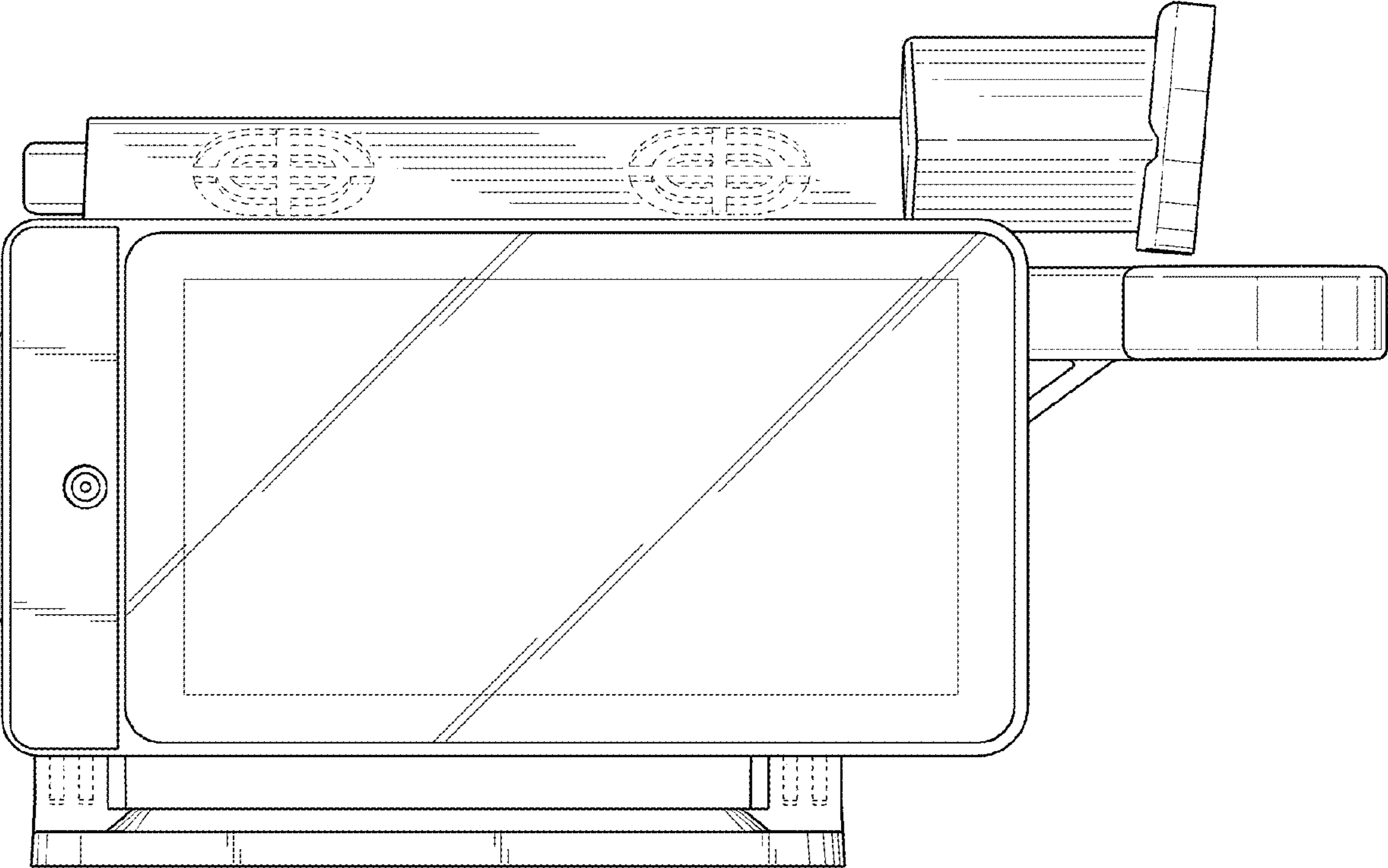


FIG. 5

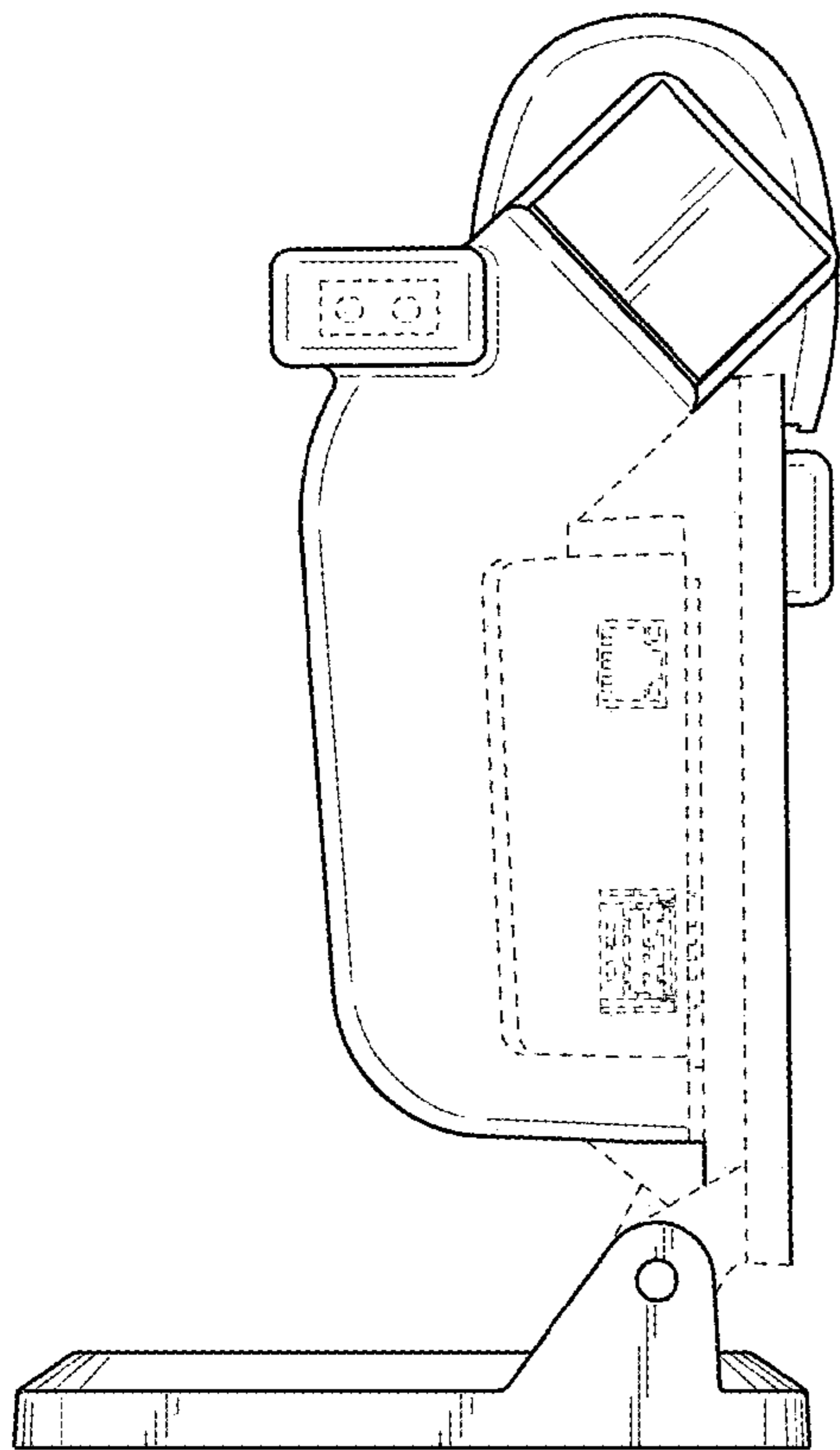


FIG. 6

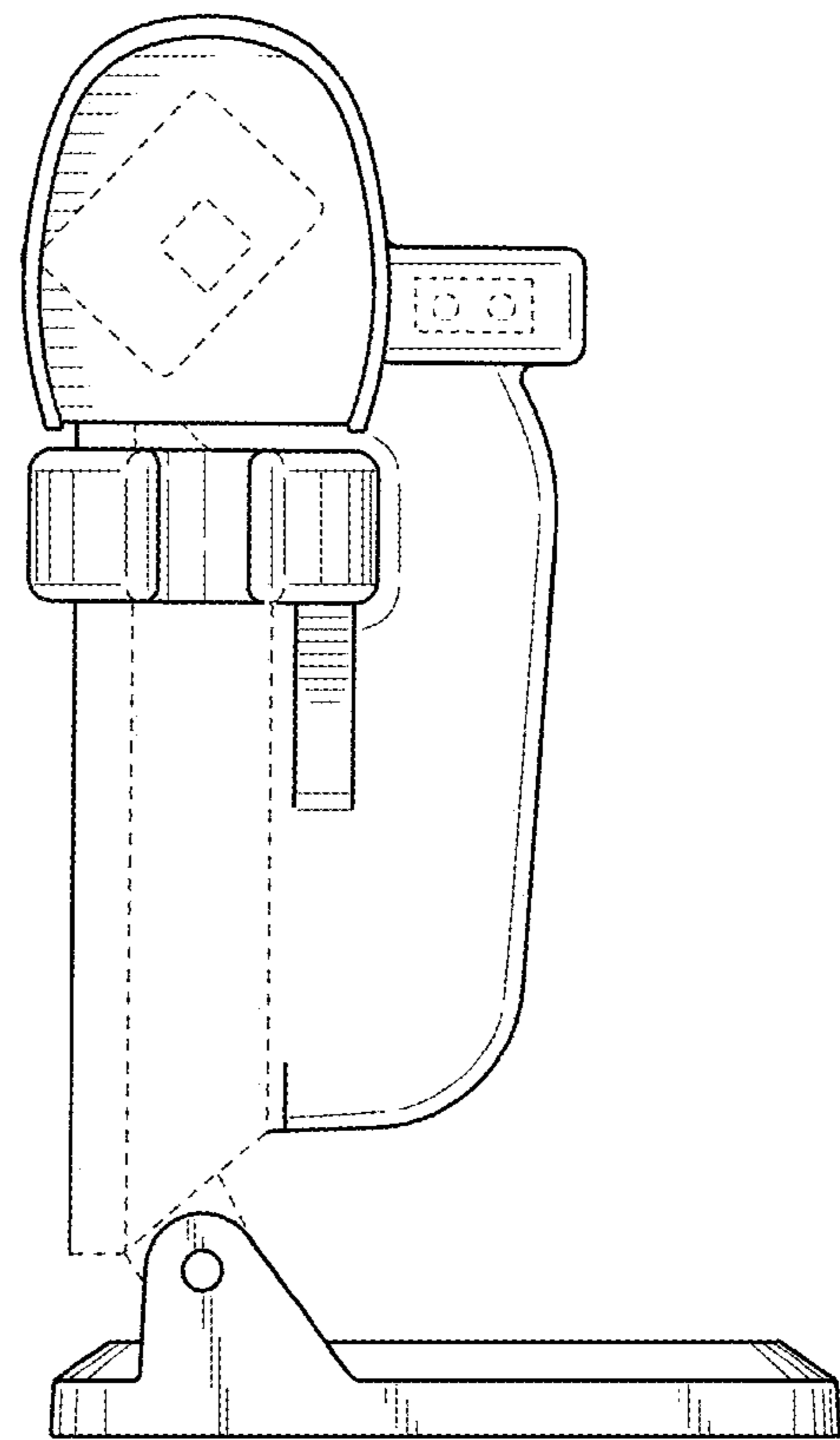


FIG. 7

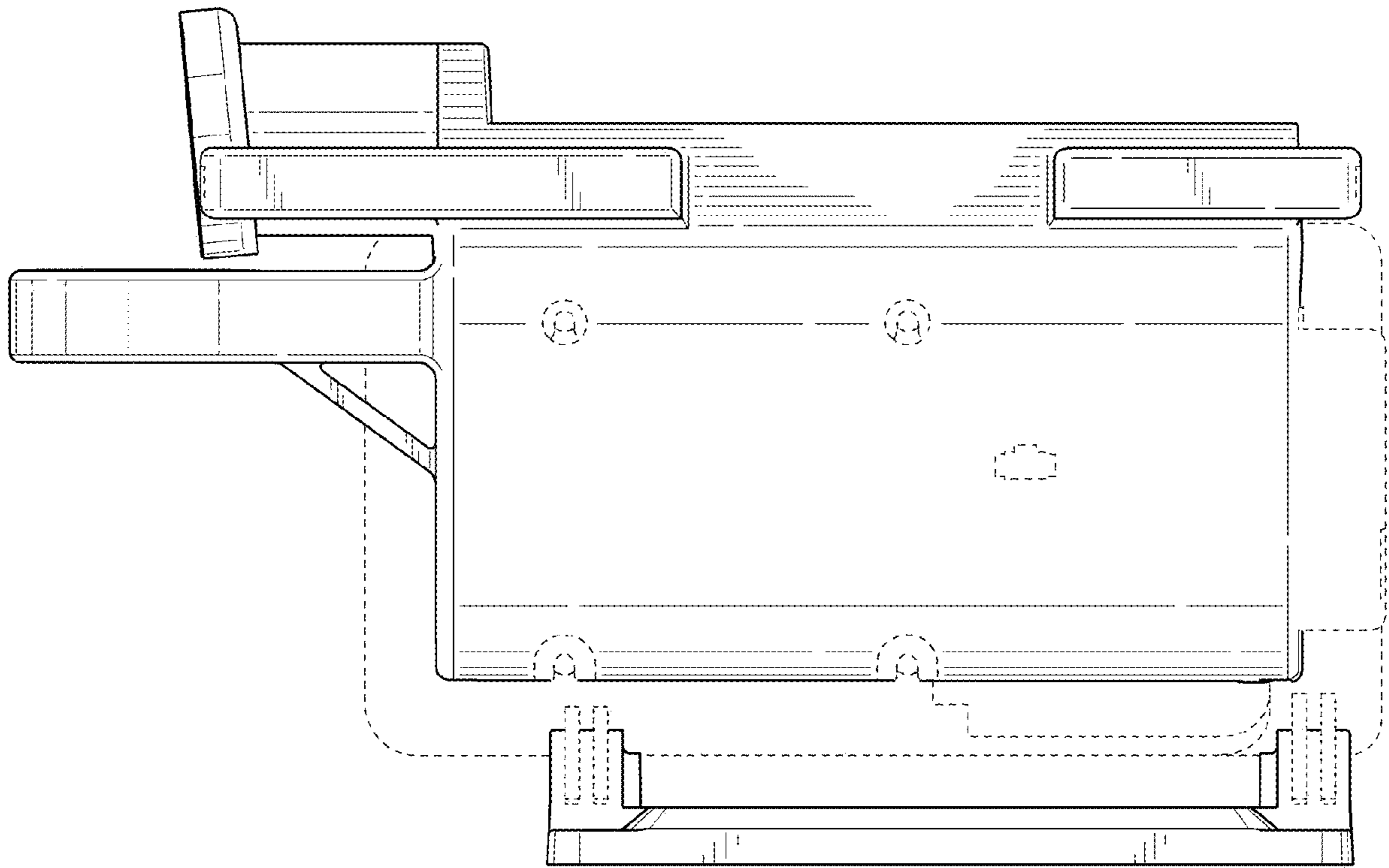


FIG. 8

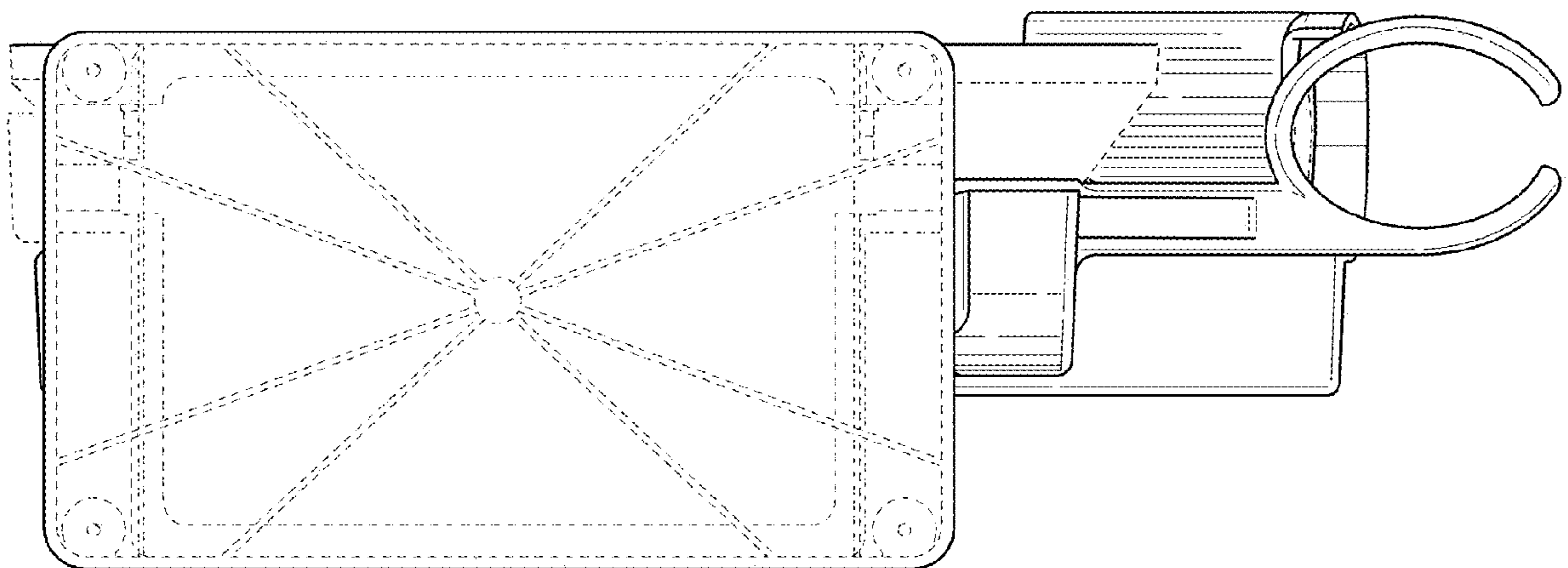


FIG. 9