



US00D989275S

(12) **United States Design Patent**  
**Haggar**

(10) **Patent No.:** **US D989,275 S**

(45) **Date of Patent:** **\*\* Jun. 13, 2023**

(54) **COMBINATION CEILING FAN BLADE AND LIGHT KIT**

(71) Applicant: **HUNTER FAN COMPANY**,  
Memphis, TN (US)

(72) Inventor: **Alexander Jonathan Haggar**,  
Memphis, TN (US)

(73) Assignee: **Hunter Fan Company**, Memphis, TN  
(US)

(\*\*) Term: **15 Years**

(21) Appl. No.: **29/800,425**

(22) Filed: **Jul. 21, 2021**

**Related U.S. Application Data**

(63) Continuation of application No. 29/694,613, filed on Jun. 12, 2019, now Pat. No. Des. 933,193, which is a continuation of application No. 29/608,177, filed on Jun. 20, 2017, now Pat. No. Des. 855,788.

(51) **LOC (14) Cl.** ..... **23-03**

(52) **U.S. Cl.**  
USPC ..... **D23/413**; D26/59

(58) **Field of Classification Search**  
USPC ..... D23/370, 377, 379, 385, 411-414;  
D26/59  
CPC ..... F04D 25/088; F04D 29/38; F04D 29/384;  
F04D 29/386; F21V 33/0096  
See application file for complete search history.

(56) **References Cited**

**U.S. PATENT DOCUMENTS**

D297,974 S 10/1988 Sonneman  
D314,618 S 2/1991 Yen  
D328,491 S 8/1992 Markwardt  
D357,978 S 5/1995 Young  
D453,216 S 1/2002 Gajewski  
D544,979 S 6/2007 Hartmann, Jr. et al.

D561,374 S 2/2008 Hartmann, Jr. et al.  
D565,230 S 3/2008 Hetfield et al.  
D584,396 S 1/2009 Bucher et al.  
D594,543 S 6/2009 Pan  
D595,004 S 6/2009 Pan  
D599,461 S 9/2009 Ertze  
D605,751 S 12/2009 Yang  
D607,600 S 1/2010 Keith  
D609,799 S 2/2010 Lee  
D627,456 S 11/2010 Glasbrenner  
D628,687 S 12/2010 Yao

(Continued)

**OTHER PUBLICATIONS**

www\_montecarlofans.com/33062/52-Clarity-Rubberized-White-3CL YR52RZWD, Item Specification for Clarity ;ollection, Matte White, Accessed Jun. 19, 2017.

(Continued)

*Primary Examiner* — Sharon S Oum

(74) *Attorney, Agent, or Firm* — McGarry Bair PC

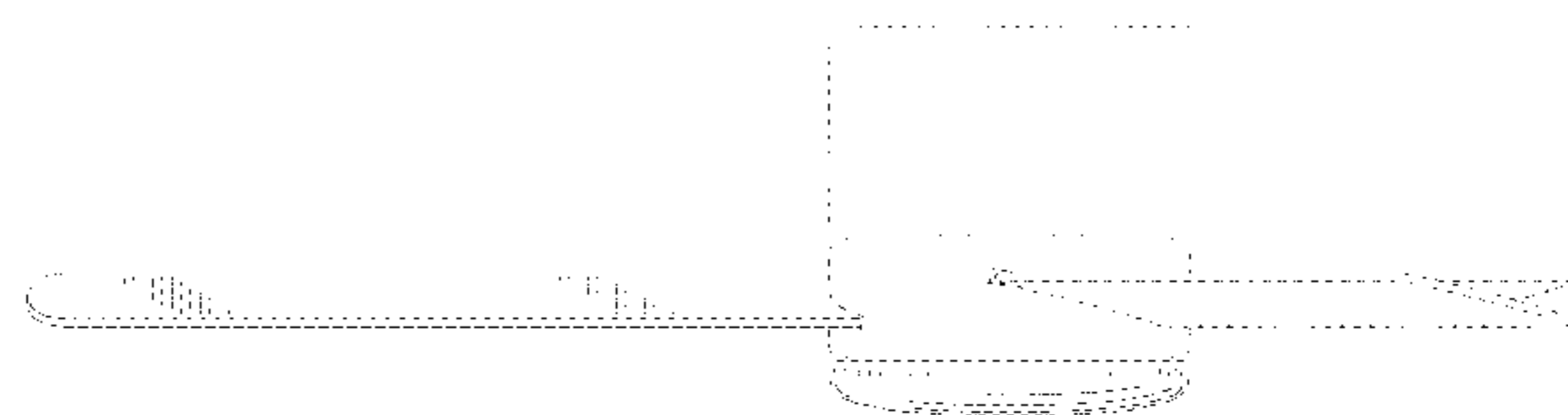
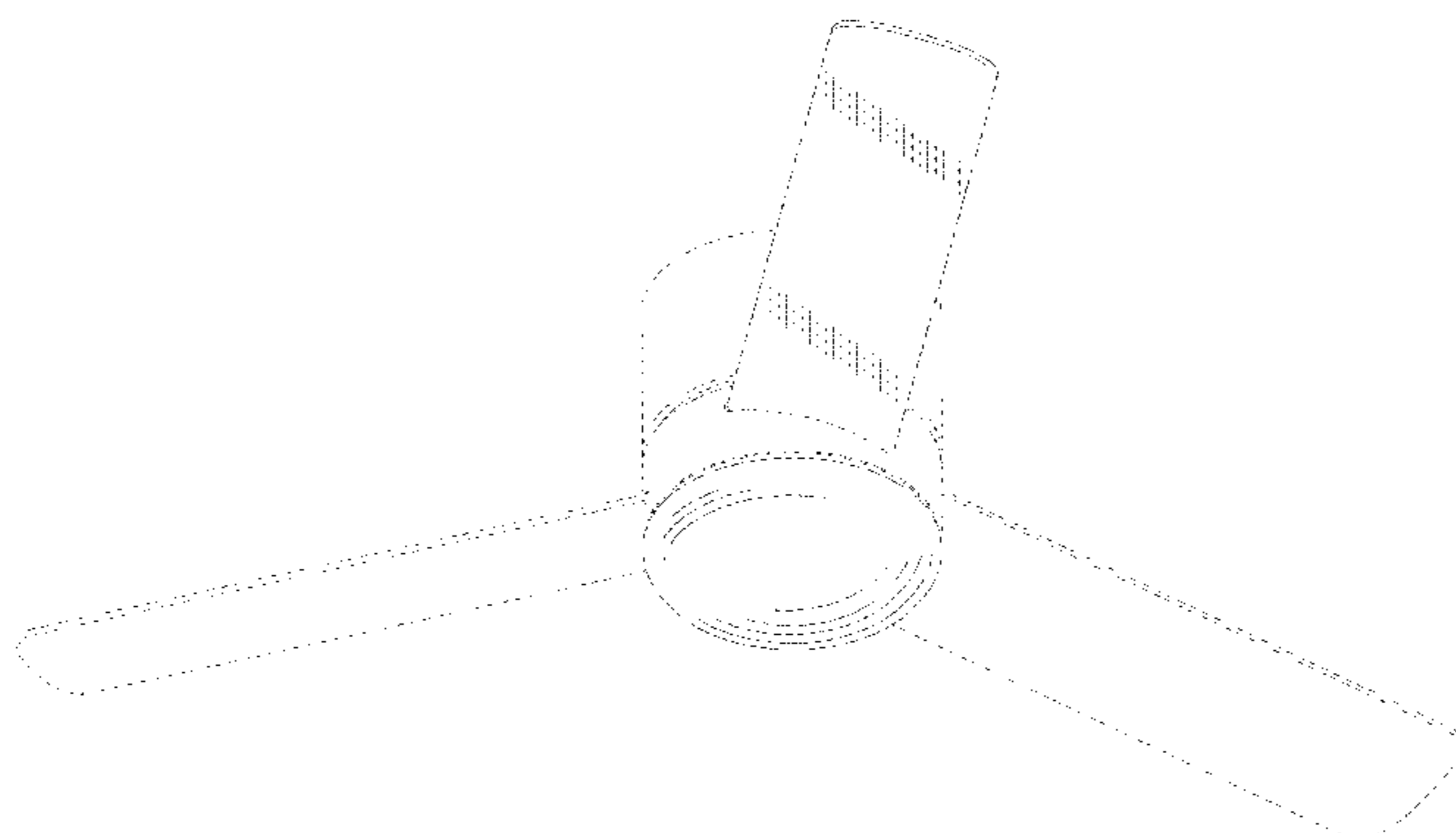
(57) **CLAIM**

The ornamental design for a combination ceiling fan blade and light kit, as shown and described.

**DESCRIPTION**

FIG. 1 is a bottom perspective view of a combination ceiling fan blade and light kit, showing my new design;  
FIG. 2 is a top perspective view thereof;  
FIG. 3 is a left-side view thereof;  
FIG. 4 is a rear view thereof;  
FIG. 5 is a right-side view thereof;  
FIG. 6 is a front view thereof;  
FIG. 7 is a top view thereof; and,  
FIG. 8 is a bottom view thereof.  
Portions of the combination ceiling fan blade and light kit and ceiling fan environment are shown in broken lines, which form no part of the claimed design.

**1 Claim, 8 Drawing Sheets**



(56)

References Cited

U.S. PATENT DOCUMENTS

D628,688 S 12/2010 Pan  
 D633,644 S 3/2011 Sprengers  
 D694,463 S 11/2013 Sieczkowski  
 D708,315 S 7/2014 Wang  
 D715,917 S 10/2014 Hidalgo  
 D744,634 S 12/2015 Wang  
 D751,187 S 3/2016 Dolan  
 D759,799 S 6/2016 Wang  
 D769,506 S 10/2016 Orozco  
 D771,794 S 11/2016 Wang  
 D771,860 S 11/2016 Weiss et al.  
 D772,393 S 11/2016 Wang  
 D774,175 S 12/2016 Wang  
 D782,644 S 3/2017 Wang  
 D785,157 S 4/2017 Wang  
 D788,283 S 5/2017 Busta  
 D788,286 S 5/2017 Busta  
 D799,665 S 10/2017 Wang  
 D799,667 S 10/2017 Wang  
 D801,515 S 10/2017 Wang  
 D805,174 S 12/2017 Guthrie  
 D805,625 S 12/2017 Haggar  
 D808,510 S 1/2018 Gajewski  
 D810,920 S 2/2018 Haggar  
 D818,104 S 5/2018 Holmes et al.  
 D834,696 S 11/2018 Schulzman  
 D838,357 S 1/2019 Haggar  
 D855,788 S 8/2019 Haggar  
 D855,789 S 8/2019 Haggar  
 D874,634 S 2/2020 Haggar  
 D877,314 S 3/2020 Holmes  
 D885,551 S 5/2020 McRoberts  
 D888,221 S 6/2020 O'Connell et al.

D904,597 S 12/2020 O'Connell et al.  
 D921,880 S \* 6/2021 Haggar ..... D23/377  
 D921,881 S \* 6/2021 Haggar ..... D26/59  
 D933,186 S \* 10/2021 Habig ..... D23/377  
 D933,193 S \* 10/2021 Haggar ..... D26/59  
 D938,569 S \* 12/2021 Biancuzzo ..... D23/377  
 D941,984 S \* 1/2022 Haggar ..... D23/411  
 D969,299 S \* 11/2022 Haggar ..... D23/377  
 2006/0274538 A1 12/2006 Bacon et al.  
 2018/0128276 A1 5/2018 Li  
 2018/0128277 A1 5/2018 Chia  
 2022/0252252 A1\* 8/2022 Wang ..... F04D 25/088

OTHER PUBLICATIONS

<http://www.kichler.com/products/product/52-arkwet-patio-ceiling-fan-mwh-339529mwh>, Item Specification for Kichler Arkwet Patio Collection, 52" Arkwet Patio Ceiling Fan MWH, Accessed Jun. 19, 2017.  
<http://www.montecarlofans.com/50453/56-Vision-Max---Rubberized-White-3VNMR56RZWD>, Item Specification for Monte Carlo Vision Max Collection, Matte White, Accessed Jun. 19, 2017.  
<http://www.homedepot.com/p/Hampton-Bay-Northport-52-in-Brushed-Nickel-Ceiling-Fan-14926/202790687>, Item Specification for Hampton Bay Northport 52 in. Brushed Nickel Ceiling Fan, Accessed Jun. 19, 2017.  
<http://www.montecarlofans.com/50446/52-Discus-Trio---Brushed-Steel-3DIR52BSD>, Item Specification for Monte Carlo Discus Trio Collection, Brushed Steel, Accessed Jun. 19, 2017.  
<http://www.kichler.com/products/product/60-bowen-ceiling-fan-mwh-330243mwh>, Kichler Bowen Ceiling Fan Collection 50" Bowen Ceiling Fan MWH, Accessed Jun. 19, 2017.

\* cited by examiner

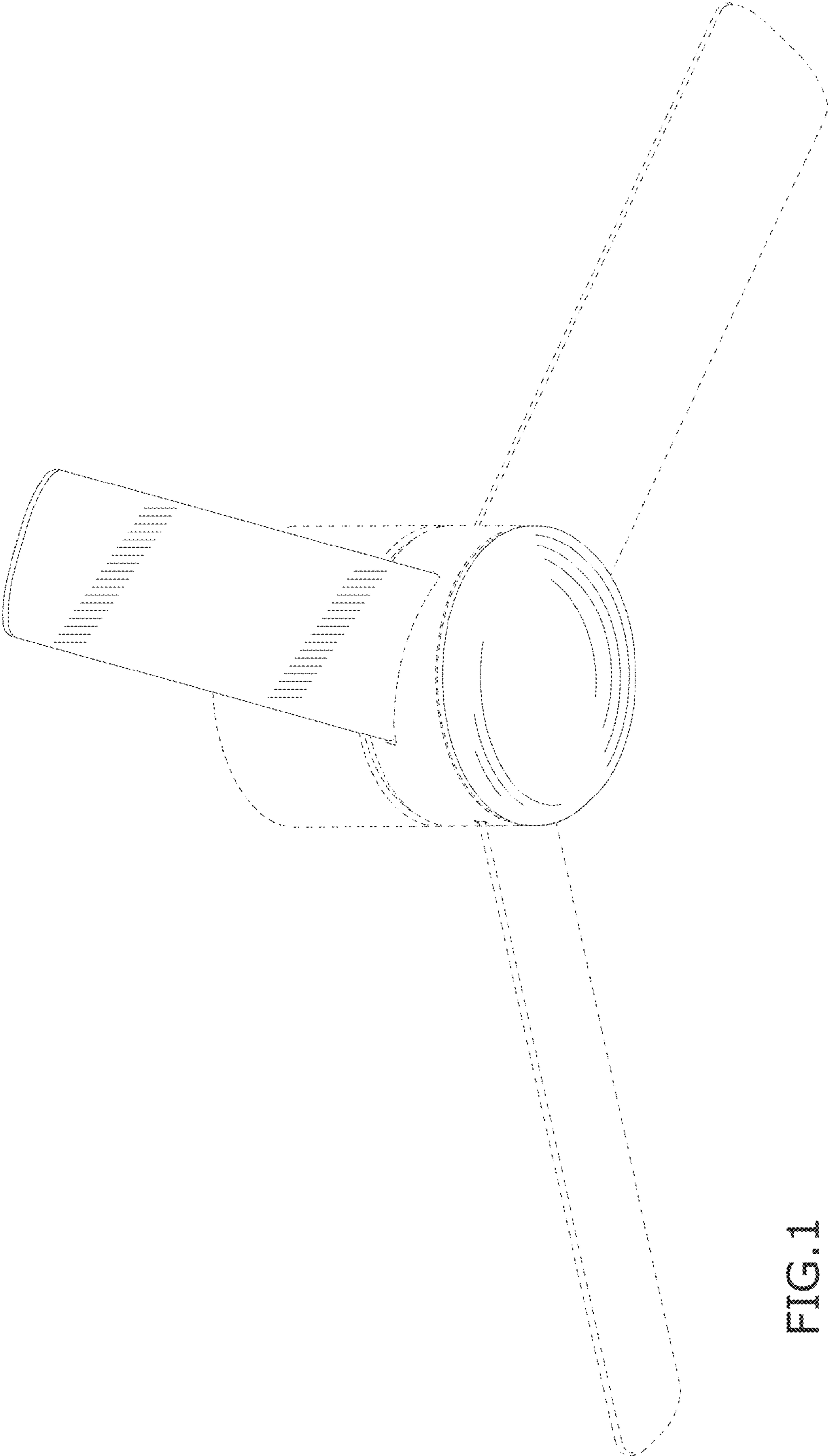


FIG. 1

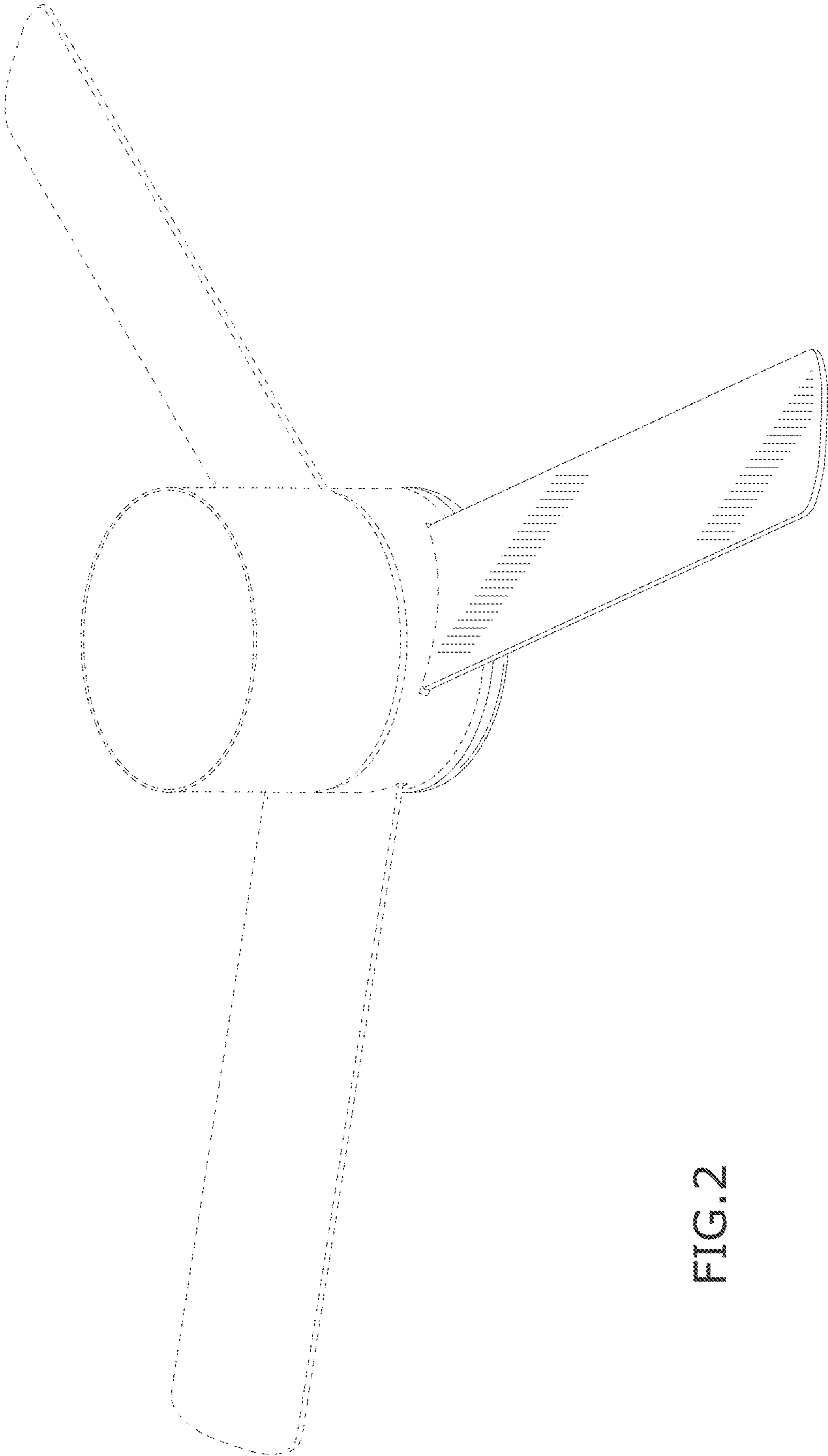


FIG. 2

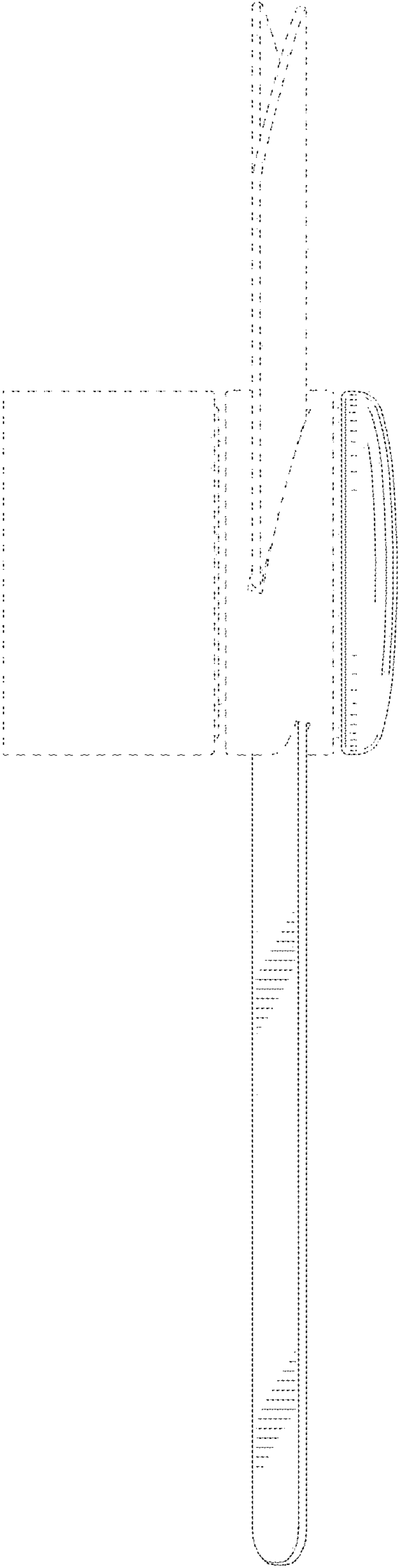


FIG.3

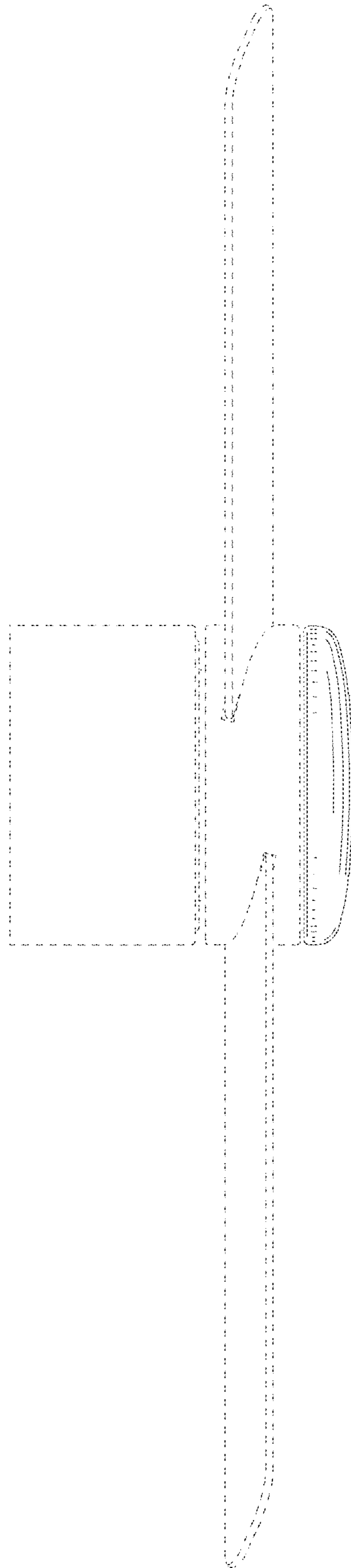


FIG.4



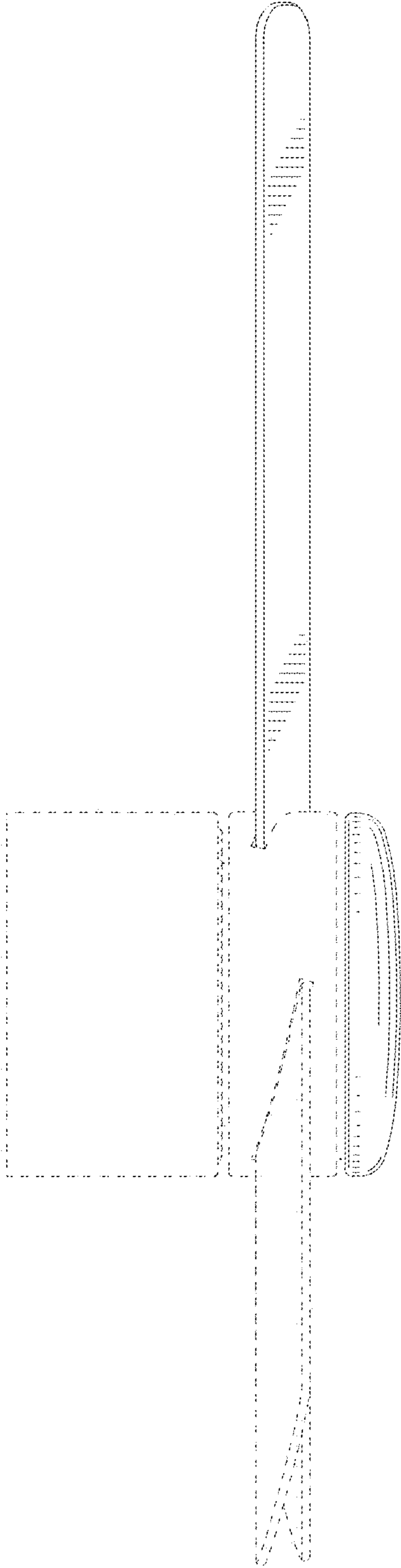


FIG. 5

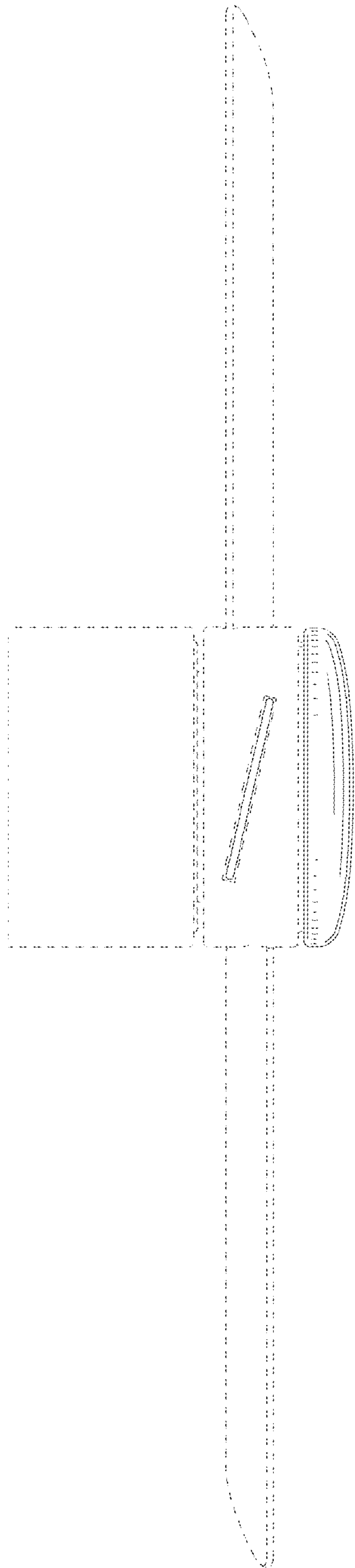


FIG. 6



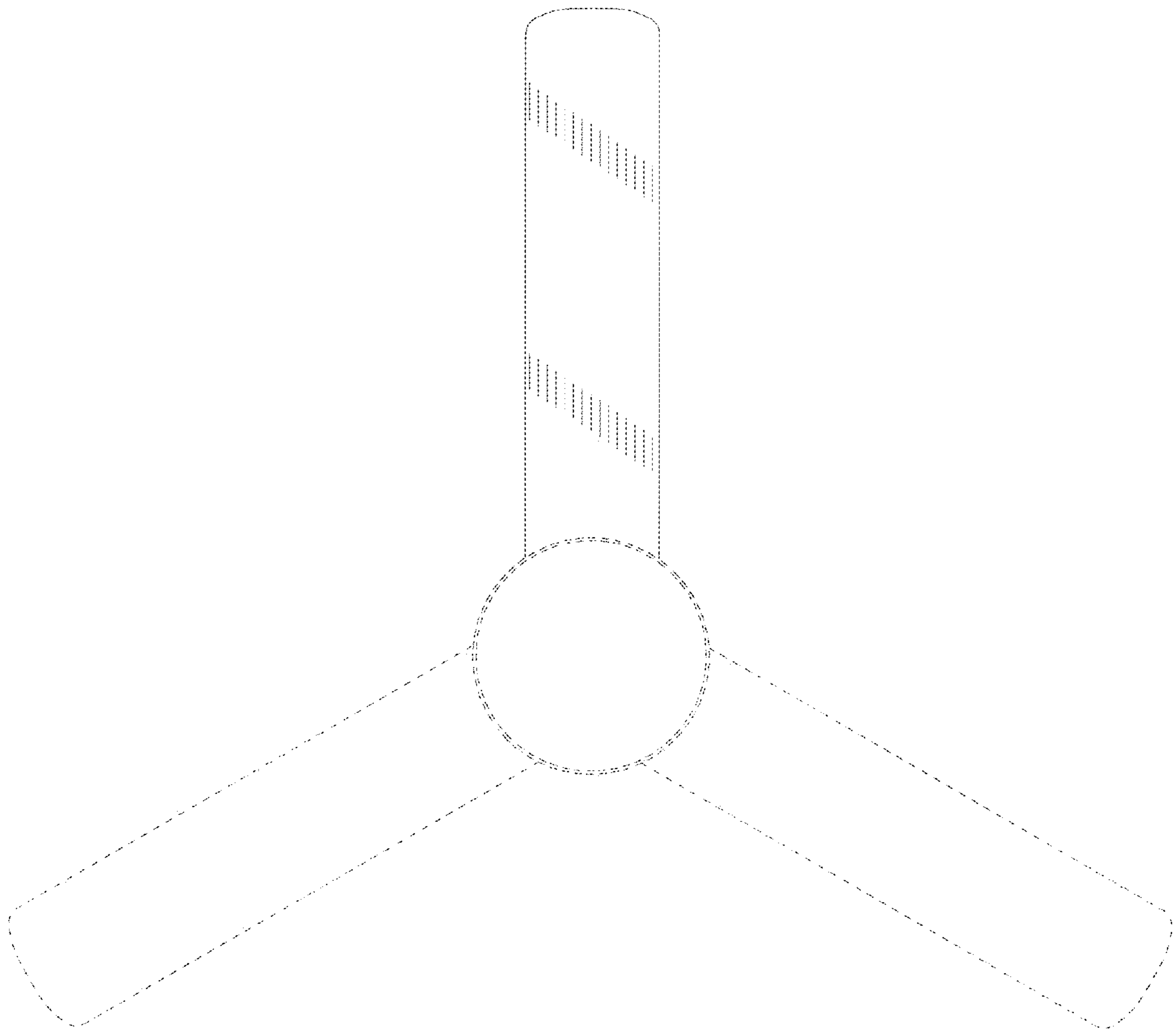


FIG. 7

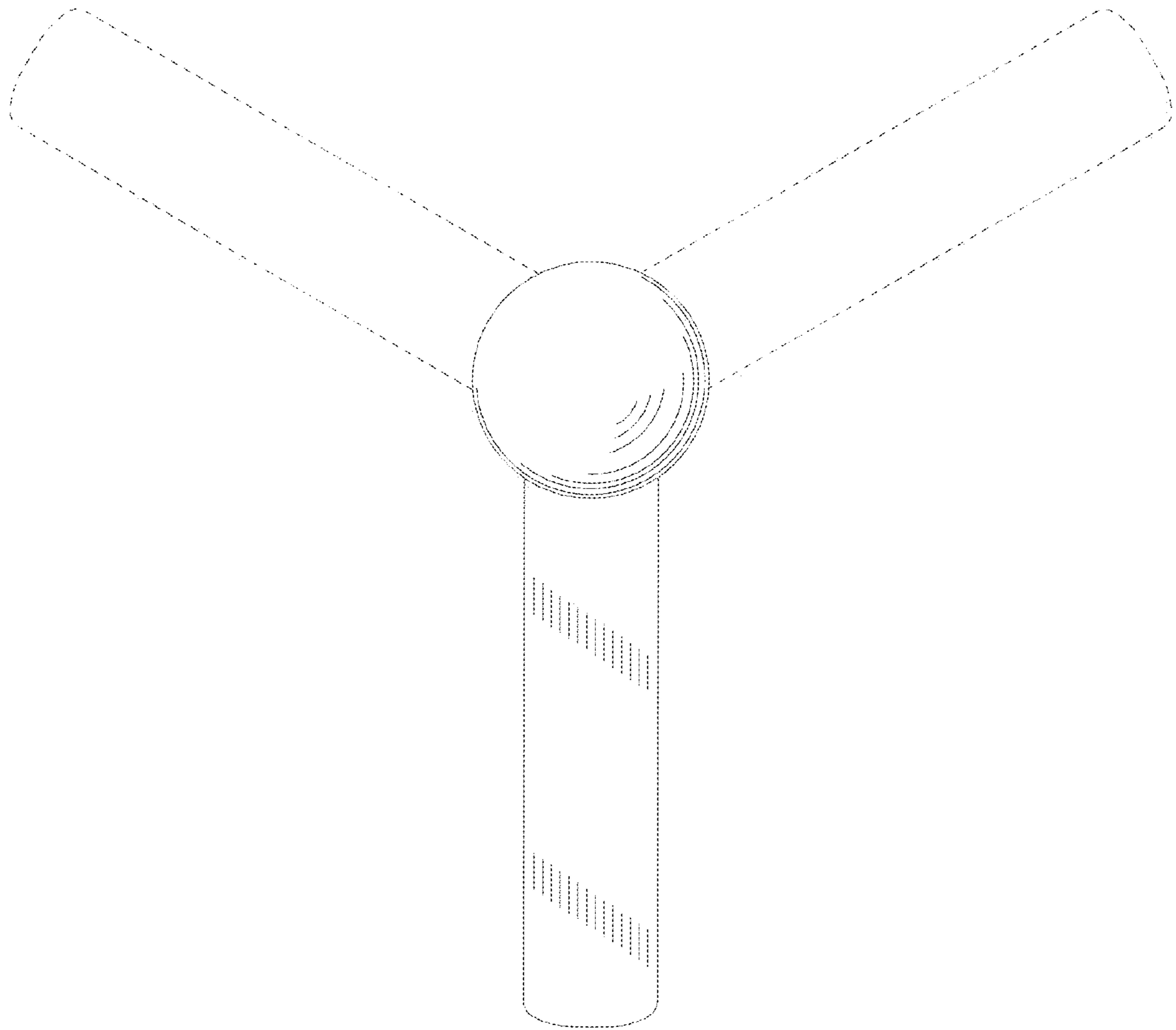


FIG. 8