



US00D989274S

(12) **United States Design Patent**
McRoberts et al.

(10) **Patent No.:** **US D989,274 S**
(45) **Date of Patent:** **** Jun. 13, 2023**

(54) **CEILING FAN MOTOR HOUSING**

(71) Applicant: **Hunter Fan Company**, Memphis, TN (US)

(72) Inventors: **Claire Bernice McRoberts**, Memphis, TN (US); **Patrick R. O’Connell**, Germantown, TN (US)

(73) Assignee: **Hunter Fan Company**, Memphis, TN (US)

(**) Term: **15 Years**

(21) Appl. No.: **29/810,719**

(22) Filed: **Oct. 7, 2021**

Related U.S. Application Data

(63) Continuation of application No. 29/706,318, filed on Sep. 19, 2019, now Pat. No. Des. 936,202.

(51) **LOC (14) Cl.** **23-03**

(52) **U.S. Cl.**
USPC **D23/411**

(58) **Field of Classification Search**
USPC D23/370, 377, 379, 385, 411–414;
D26/59

CPC F04D 25/088; F04D 29/38; F04D 29/384;
F04D 29/386; F21V 33/0096

See application file for complete search history.

(56) **References Cited**

U.S. PATENT DOCUMENTS

D377,975 S	2/1997	Young
D386,257 S	11/1997	Liu
D402,075 S	12/1998	Hudak et al.
D490,182 S	5/2004	Benensohn
D571,035 S	6/2008	Yu
D627,874 S	11/2010	Pan
D632,381 S	2/2011	Davenport et al.
D707,336 S	6/2014	Pan
D739,001 S	9/2015	Crisa'

D744,084 S	11/2015	Wang
D782,644 S	3/2017	Wang
D783,796 S	4/2017	Badarello et al.
D785,156 S	4/2017	Wang
D788,283 S	5/2017	Busta
D789,511 S	6/2017	Wang
D795,411 S	8/2017	Wang
D799,667 S	10/2017	Wang
D800,891 S	10/2017	McRoberts et al.
D804,629 S	12/2017	McRoberts et al.

(Continued)

OTHER PUBLICATIONS

<https://modernfan.com/fan/velo/>, The Modern Fan Co, Velo Ceiling Fan, Images, Blades, Lighting, Controls & more, accessed Jun. 26, 2018.

(Continued)

Primary Examiner — Sharon S Oum

(74) *Attorney, Agent, or Firm* — McGarry Bair PC

(57) **CLAIM**

The ornamental design for a ceiling fan motor housing, as shown and described.

DESCRIPTION

FIG. 1 is a top perspective view of a ceiling fan motor housing shown in the environment of a ceiling fan, showing my new design;

FIG. 2 is a bottom perspective view thereof;

FIG. 3 is a top view thereof;

FIG. 4 is a bottom view thereof;

FIG. 5 is a front view thereof;

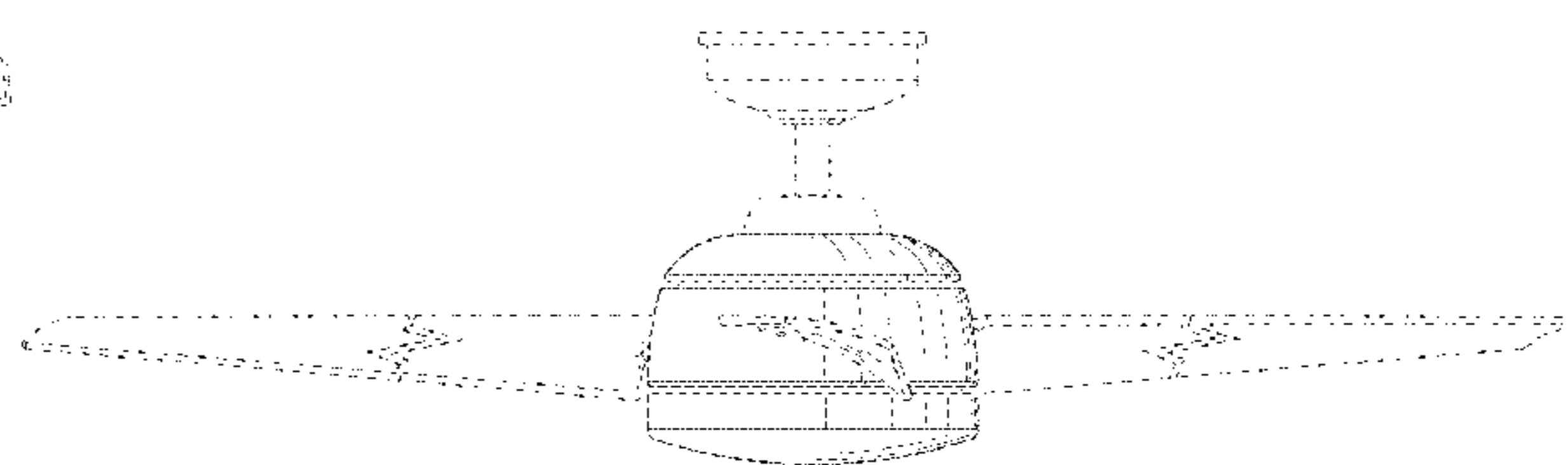
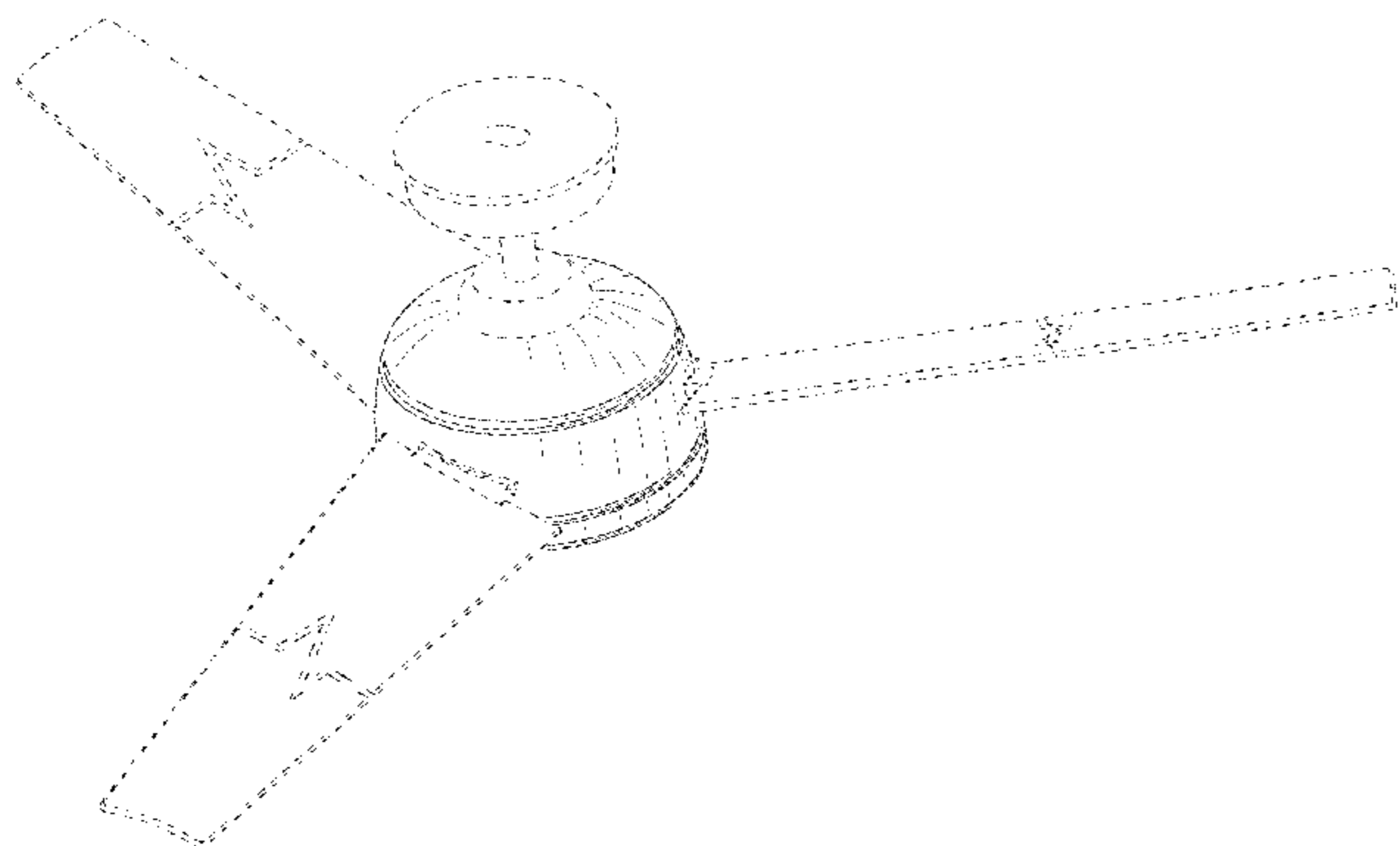
FIG. 6 is a rear view thereof;

FIG. 7 is a right side view thereof; and,

FIG. 8 is a left side view thereof.

Portions of the ceiling fan motor housing and ceiling fan environment shown in broken lines form no part of the claimed design. Unshaded portions adjacent to broken lines form no part of the claimed design.

1 Claim, 8 Drawing Sheets



(56)

References Cited

U.S. PATENT DOCUMENTS

D805,174 S	12/2017	Guthrie	
D805,175 S	12/2017	Haggar	
D810,915 S	2/2018	Guthrie et al.	
D810,917 S	2/2018	Holmes	
D825,052 S	8/2018	Guthrie	
D872,252 S	1/2020	McRoberts	
D874,635 S	2/2020	Holmes et al.	
D875,914 S	2/2020	Haggar	
D882,748 S	4/2020	Haggar	
D890,321 S	7/2020	Holmes et al.	
D900,301 S	10/2020	Haggar	
D933,187 S *	10/2021	McRoberts D23/377
D935,594 S *	11/2021	McRoberts D23/377
D936,202 S *	11/2021	McRoberts D23/377
D938,572 S *	12/2021	Holmes D23/411
D948,022 S *	4/2022	McRoberts D23/377
2022/0252252 A1 *	8/2022	Wang F04D 25/088

OTHER PUBLICATIONS

<https://www.hunterfan.com/ceiling-fans/commerce-outdoor-54-inch-fam734>, Hunter Fan, Commerce Outdoor 54 inch Ceiling Fan, Item No. 59187, accessed Jun. 26, 2018.

<http://www.kingoffans.com/%23/products/ceilingFans>, King of Fans, Windward II, Model No. 55296, accessed Jun. 26, 2018.

<https://www.hunterfan.com/ceiling-fans/colby-outdoor-52-inch-fam804>, Hunter Fan, Colby Outdoor 52 inch Ceiling Fan, Item No. 59074, accessed Jun. 26, 2018.

<http://www.homedepot.com/p/Hampton-Bay-Industrial-60-in-Brushed-Steel-Indoor-Energy-Star-Ceiling-Fan-52869/202670136>, Hampton Bay, Industrial 60 in. Indoor Brushed Steel Ceiling Fan with Wall Control, Model No. 52869, accessed Jun. 26, 2018.

<https://ceilingfans.emerson.com/en/shop/fan/fans-s-contemporary/midway-eco-fan-p-cf955I>, Emerson, Midway Eco 54" Ceiling Fan, Model No. CF955L, accessed Jun. 26, 2018.

<https://www.minkagroup.net/f543l-ka.html>, Minka-Aire, Swept 56" 4-Blade LED Ceiling Fan in Kocoa Finish with Kocoa Blades and an Etched Lens, Model No. F543L-KA, accessed Jun. 26, 2018.

<http://ceilingfans.emerson.com/shop/en/fan/fans-s-emerson-fans/fans-s-contemporary/loft-fan-p-cf765>, Emerson, Loft 60" Blade span, Model No. CF765, accessed Jun. 26, 2018.

<http://www.kichler.com/products/product/60-inch-rana-fan-ni-310155ni.aspx>, Kichler, Rana Collection, 60 Inch Rana Fan NI, Model No. 310155NI, accessed Jun. 26, 2018.

* cited by examiner

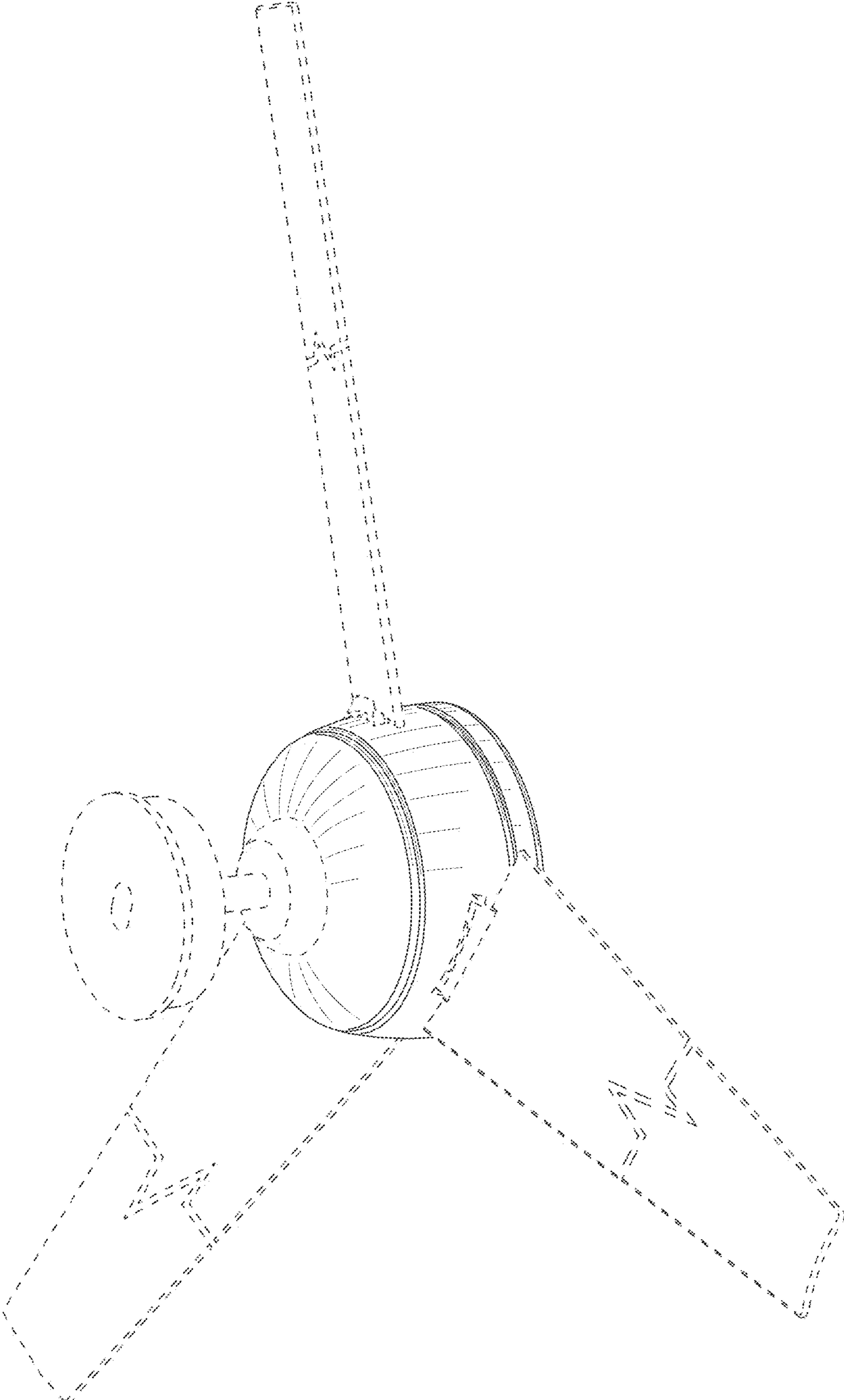


FIG. 1

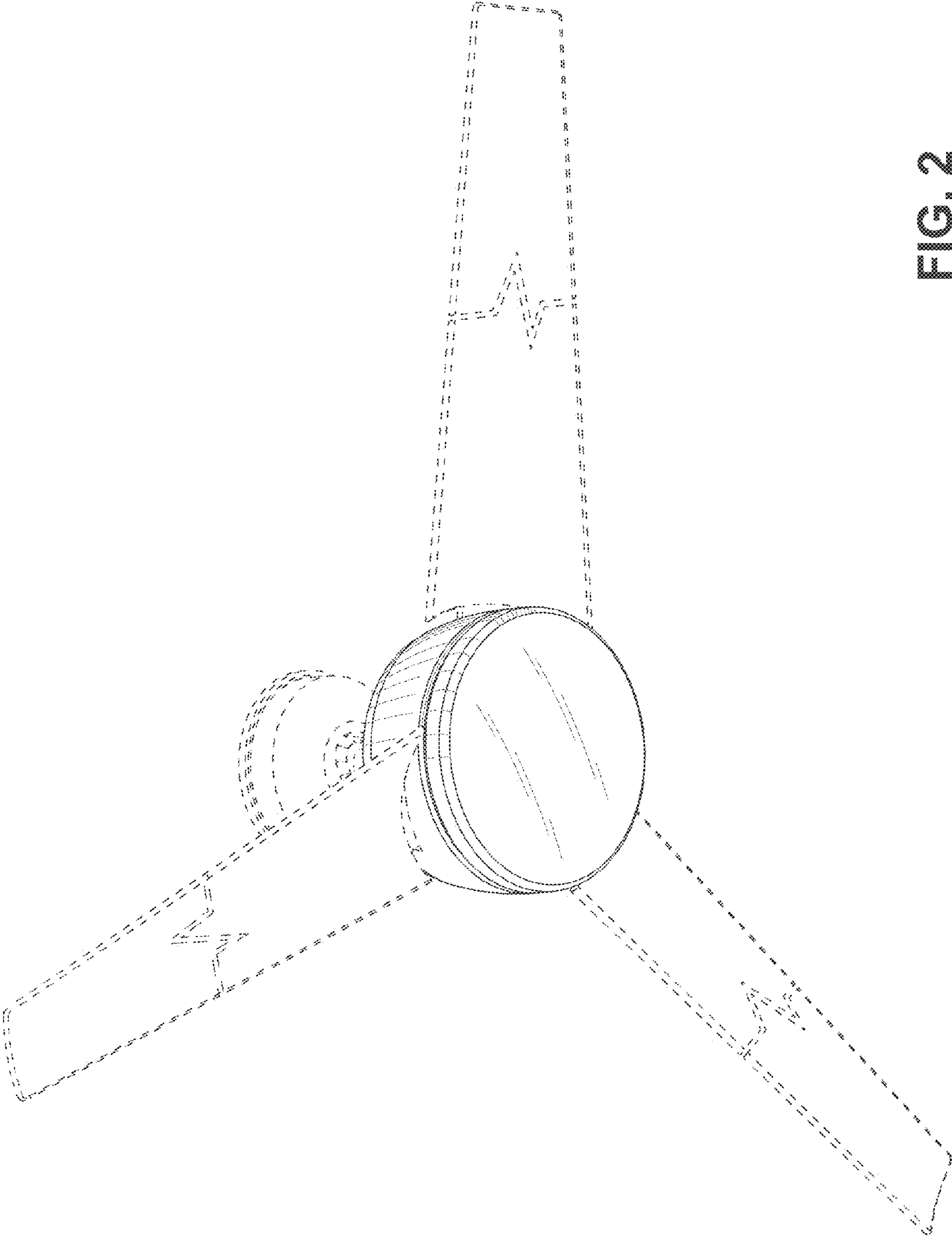


FIG. 2

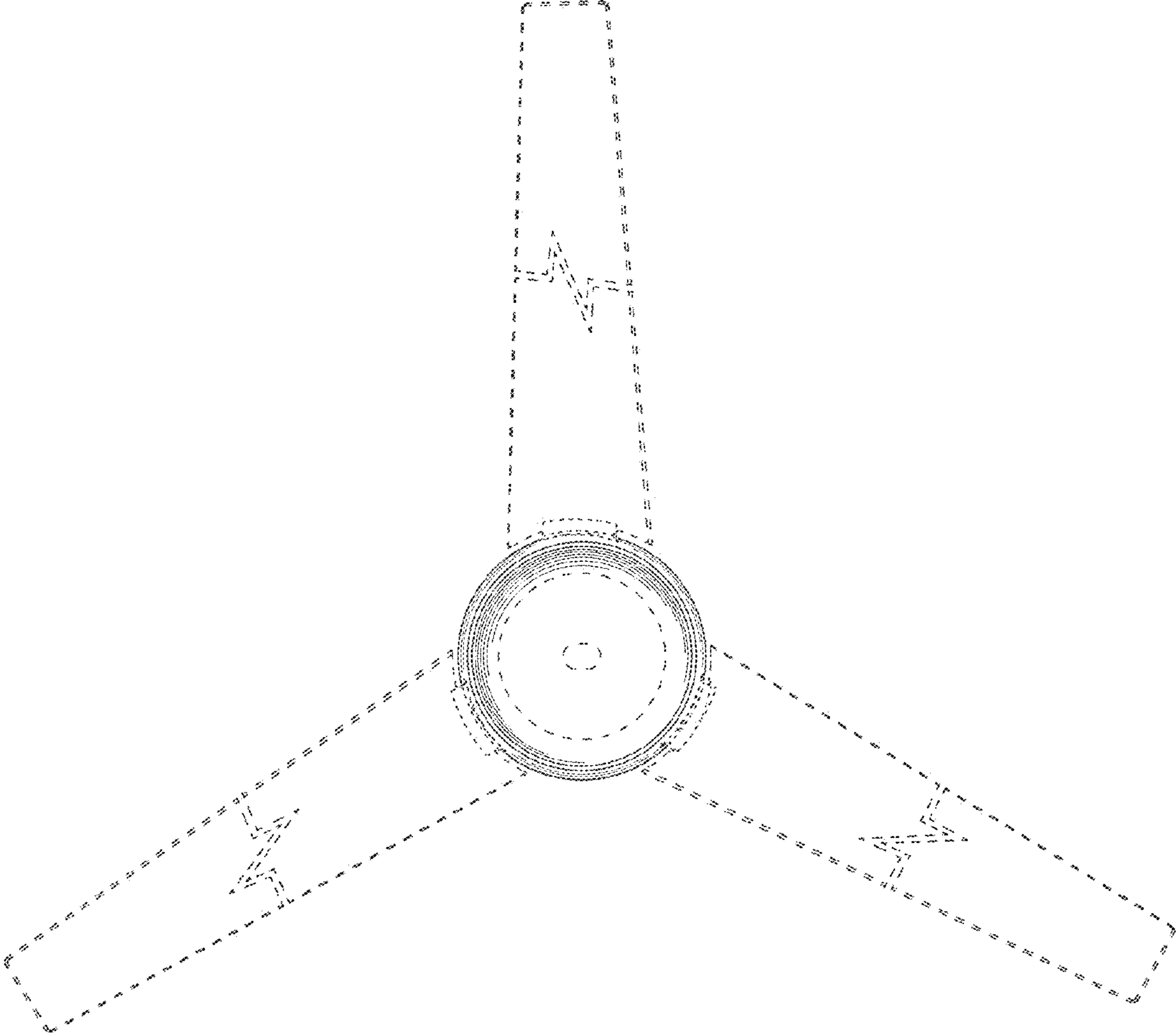


FIG. 3

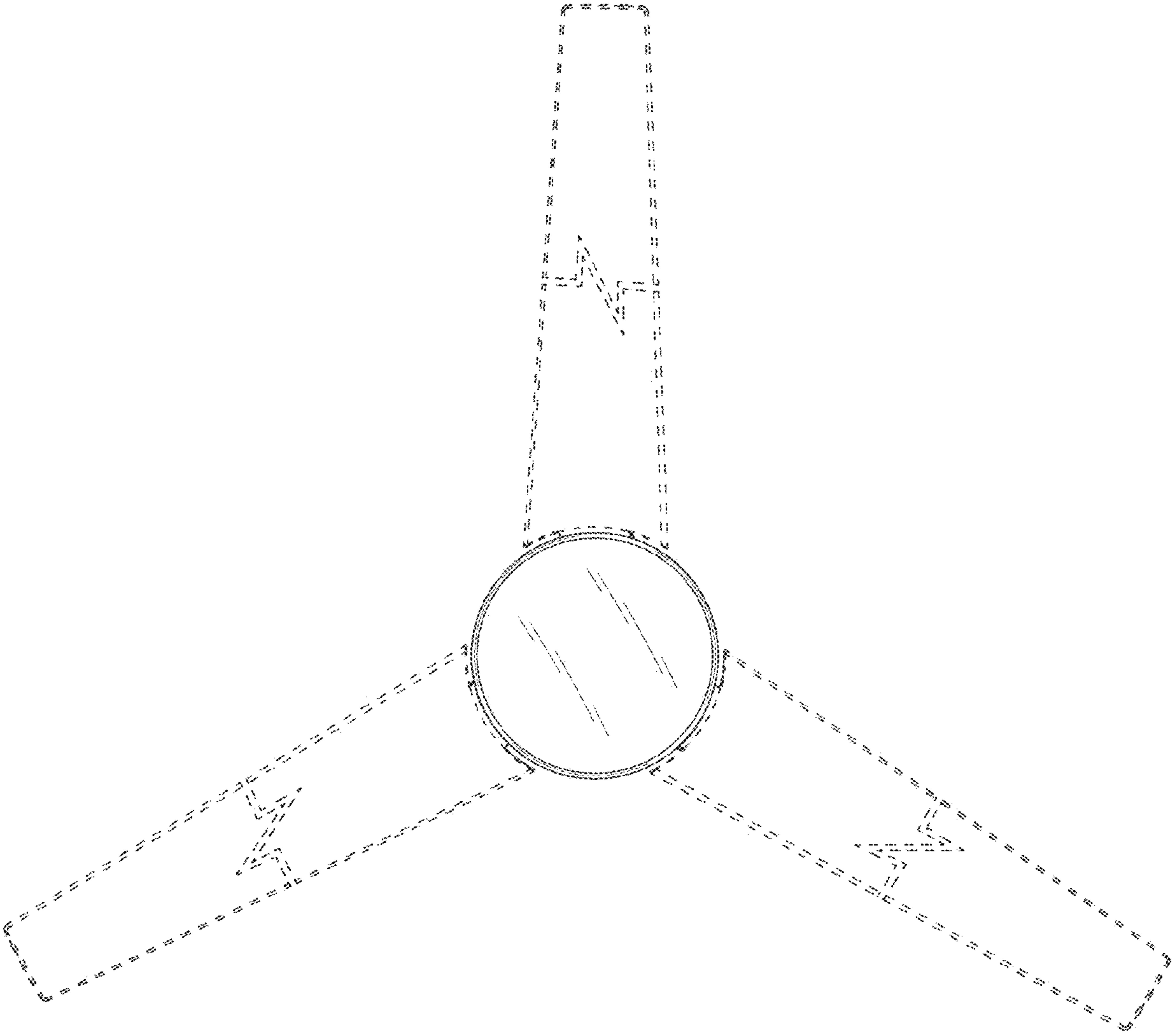


FIG. 4

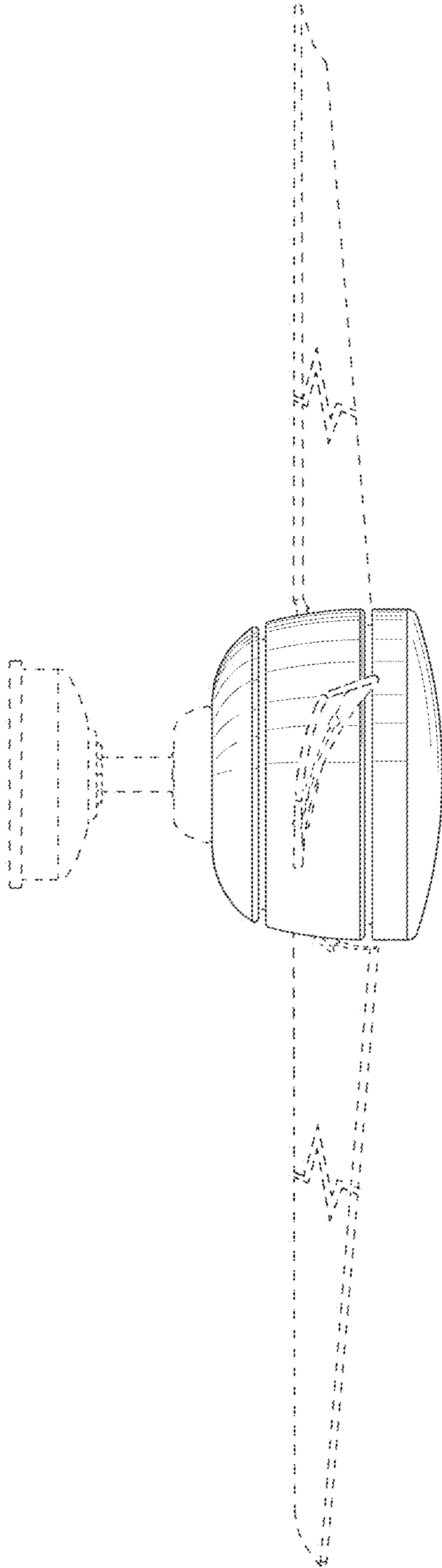


FIG. 5

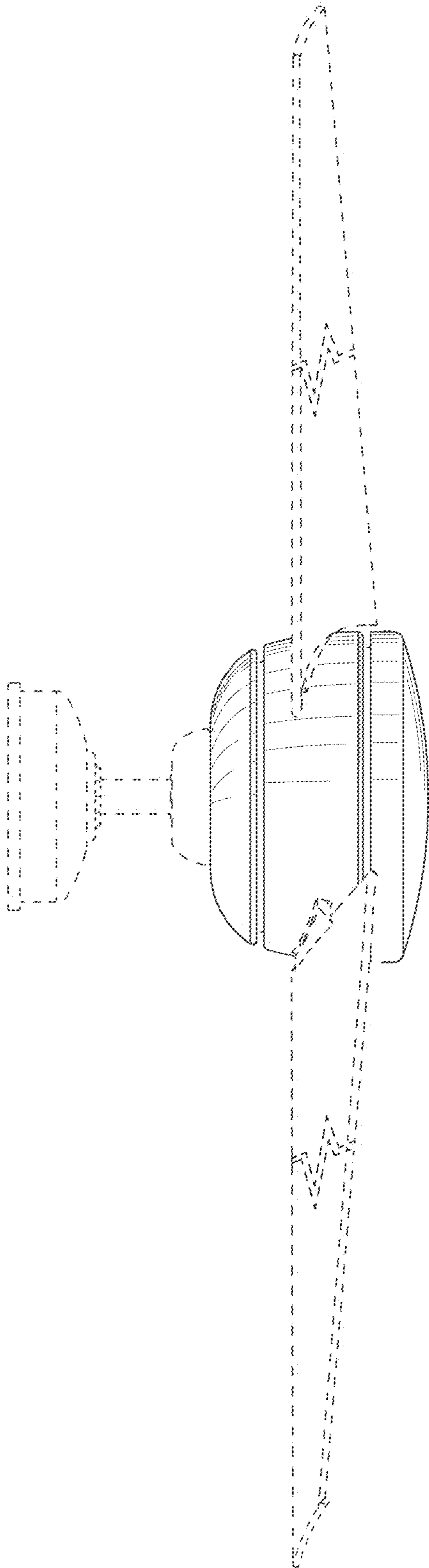


FIG. 6

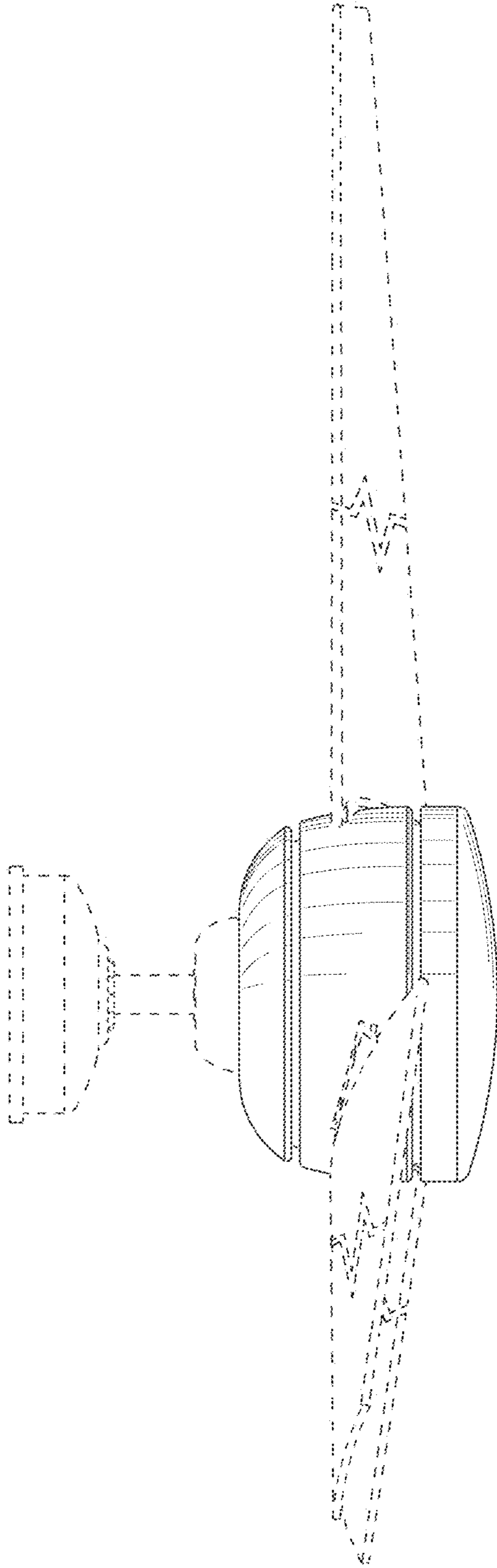


FIG. 7

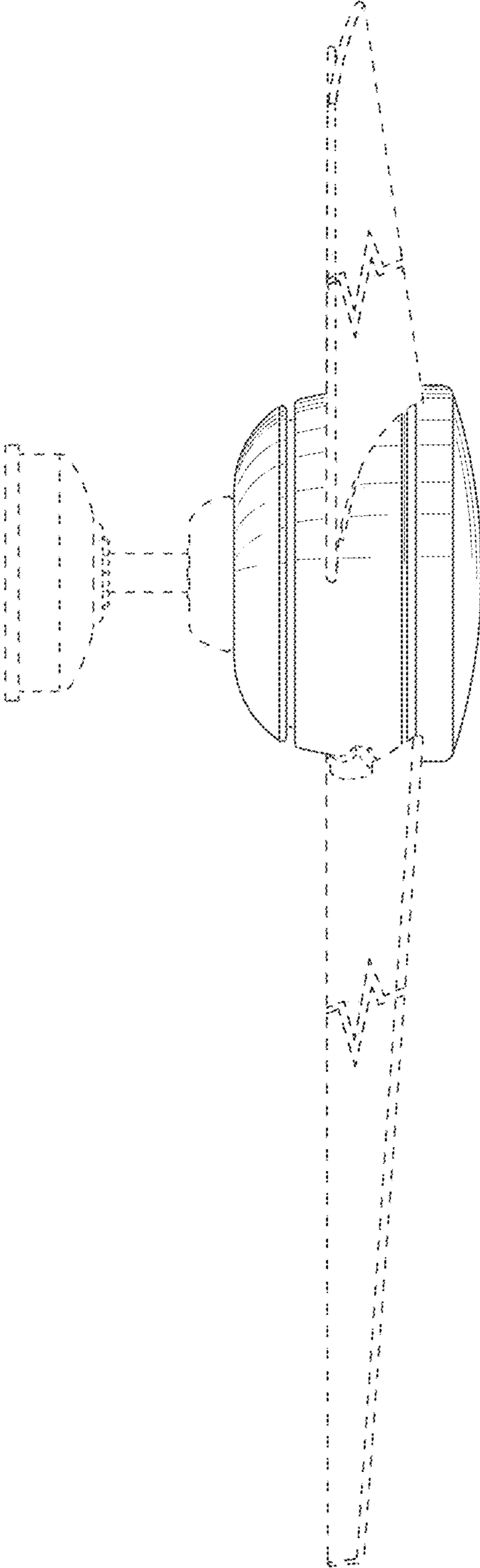


FIG. 8