



US00D989273S

(12) **United States Design Patent** (10) **Patent No.:** **US D989,273 S**  
**Haggar** (45) **Date of Patent:** **\*\* Jun. 13, 2023**

(54) **COMBINATION CEILING FAN MOTOR HOUSING AND BLADE**

(71) Applicant: **HUNTER FAN COMPANY**,  
Memphis, TN (US)

(72) Inventor: **Alexander Jonathan Haggar**,  
Memphis, TN (US)

(73) Assignee: **Hunter Fan Company**, Memphis, TN  
(US)

(\*\*) Term: **15 Years**

(21) Appl. No.: **29/782,035**

(22) Filed: **May 4, 2021**

**Related U.S. Application Data**

(63) Continuation of application No. 29/693,929, filed on Jun. 6, 2019, now Pat. No. Des. 921,880, which is a continuation of application No. 29/615,454, filed on Aug. 29, 2017, now Pat. No. Des. 855,789.

(51) **LOC (14) Cl.** ..... **23-03**

(52) **U.S. Cl.**  
USPC ..... **D23/411**; D23/413

(58) **Field of Classification Search**  
USPC ..... D23/370, 377, 379, 385, 411-414;  
D26/59  
CPC ..... F04D 25/088; F04D 29/38; F04D 29/384;  
F04D 29/386; F21V 33/0096  
See application file for complete search history.

(56) **References Cited**

**U.S. PATENT DOCUMENTS**

D297,974 S	10/1988	Sonneman
D314,618 S	2/1991	Yen
D357,978 S	5/1995	Young
D377,975 S	2/1997	Young
D386,257 S	11/1997	Liu
D414,857 S	10/1999	Zuege

(Continued)

**OTHER PUBLICATIONS**

Kichler 339529MWH, Arkwet Patio Matte White 52" Outdoor Ceiling Fan, date first available Nov. 18, 2015, site visited 06/25/2019, Available from Internet, <https://www.amazon.com/Kichler-339529WCP-Ceiling-Weathered-Non-reversible/dp/B0186GC4LW>.

*Primary Examiner* — Sharon S Oum

(74) *Attorney, Agent, or Firm* — McGarry Bair PC

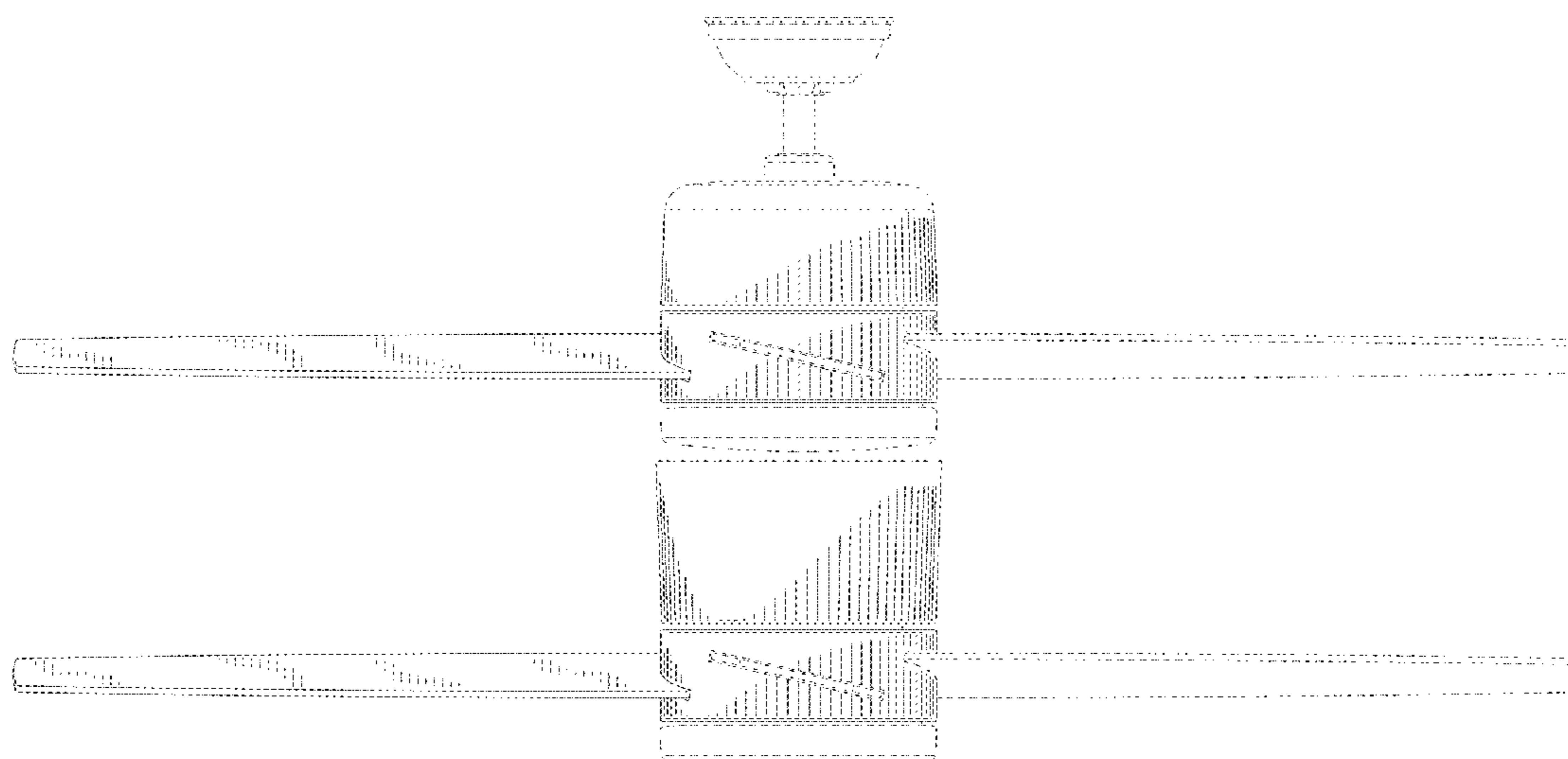
(57) **CLAIM**

The ornamental design for a combination ceiling fan motor housing and blade, as shown and described.

**DESCRIPTION**

FIG. 1 is a top perspective view of a combination ceiling fan motor housing and blade, showing my new design;  
FIG. 2 is a bottom perspective view thereof;  
FIG. 3 is a bottom view thereof;  
FIG. 4 is a top view thereof;  
FIG. 5 is a left side view thereof;  
FIG. 6 is a front side view thereof;  
FIG. 7 is a right side view thereof;  
FIG. 8 is a rear side view thereof;  
FIG. 9 is a top perspective view of a combination ceiling fan motor housing and blade according to a second embodiment of the invention;  
FIG. 10 is a bottom perspective view thereof;  
FIG. 11 is a bottom view thereof;  
FIG. 12 is a top view thereof;  
FIG. 13 is a left side view thereof;  
FIG. 14 is a front side view thereof;  
FIG. 15 is a right side view thereof; and,  
FIG. 16 is a rear side view thereof.  
Portions of the combination ceiling fan motor housing and blade and the ceiling fan environment are shown in broken lines, which form no part of the claimed design.

**1 Claim, 16 Drawing Sheets**



(56)

References Cited

U.S. PATENT DOCUMENTS

D506,565 S	6/2005	Yurich	D799,661 S	10/2017	Holmes	
7,080,813 B1	7/2006	Frampton et al.	D799,665 S	10/2017	Wang	
D534,273 S	12/2006	Pan	D799,667 S	10/2017	Wang	
D544,979 S	6/2007	Hartmann, Jr. et al.	D801,515 S	10/2017	Wang	
D561,374 S	2/2008	Hartmann, Jr. et al.	D805,174 S	12/2017	Guthrie	
D565,230 S	3/2008	Hetfield et al.	D805,625 S	12/2017	Haggar	
D595,004 S	6/2009	Pan	D810,920 S	2/2018	Haggar	
D607,600 S	1/2010	Keith	D818,104 S	5/2018	Holmes et al.	
D609,799 S	2/2010	Lee	D834,696 S	11/2018	Schulzman	
D628,688 S	12/2010	Pan	D838,356 S	1/2019	Haggar	
D633,644 S	3/2011	Sprengers	D838,357 S	1/2019	Haggar	
D679,046 S	3/2013	Hoshino et al.	D855,788 S	8/2019	Haggar	
D694,463 S	11/2013	Sieczkowski	D855,789 S	8/2019	Haggar	
D708,315 S	7/2014	Wang	D862,755 S	10/2019	Haggar	
D744,634 S	12/2015	Wang	D873,987 S	1/2020	Biancuzzo	
D751,187 S	3/2016	Dolan	D874,634 S	2/2020	Haggar	
D759,799 S	6/2016	Wang	D875,914 S	2/2020	Haggar	
D771,794 S	11/2016	Wang	D877,314 S	3/2020	Holmes	
D771,860 S	11/2016	Weiss et al.	D885,551 S	5/2020	McRoberts	
D772,393 S	11/2016	Wang	D888,221 S	6/2020	Patrick	
D773,634 S	12/2016	Wang	D890,910 S	7/2020	Haggar et al.	
D774,175 S	12/2016	Wang	D904,597 S	12/2020	Patrick	
D774,176 S	12/2016	Wang	D921,880 S *	6/2021	Haggar	D23/377
D782,644 S	3/2017	Wang	D921,881 S *	6/2021	Haggar	D26/59
D785,157 S	4/2017	Wang	D933,186 S *	10/2021	Habig	D23/377
D788,283 S	5/2017	Busta	D933,193 S *	10/2021	Haggar	D26/59
D788,286 S	5/2017	Busta	D938,569 S *	12/2021	Biancuzzo	D23/377
D789,511 S	6/2017	Wang	D941,984 S *	1/2022	Haggar	D23/411
D799,020 S	10/2017	Guthrie	D943,079 S *	2/2022	O'Connell	D23/377
			2018/0128276 A1	5/2018	Li	
			2018/0128277 A1	5/2018	Chia	
			2022/0252252 A1 *	8/2022	Wang	F04D 25/088

\* cited by examiner

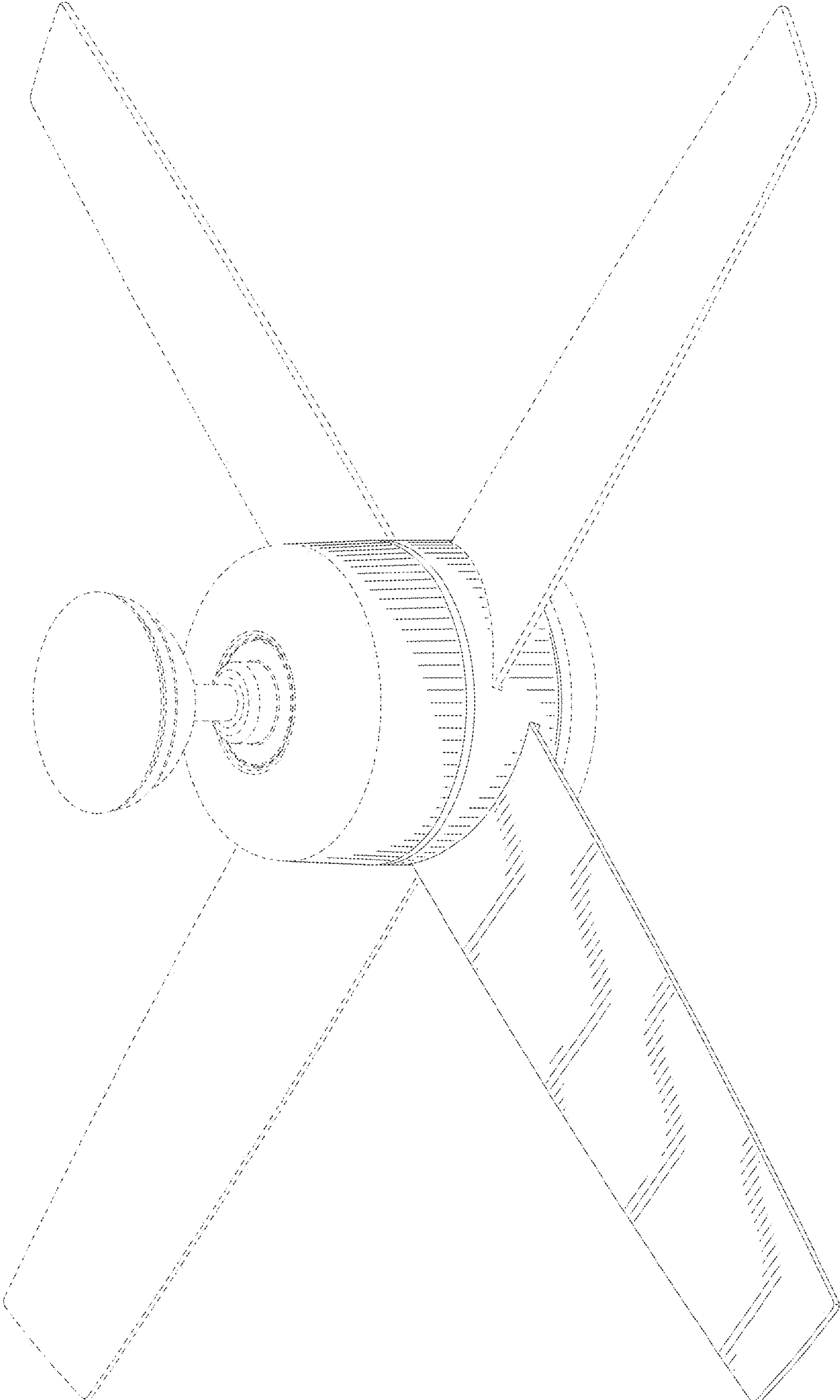


FIG. 1

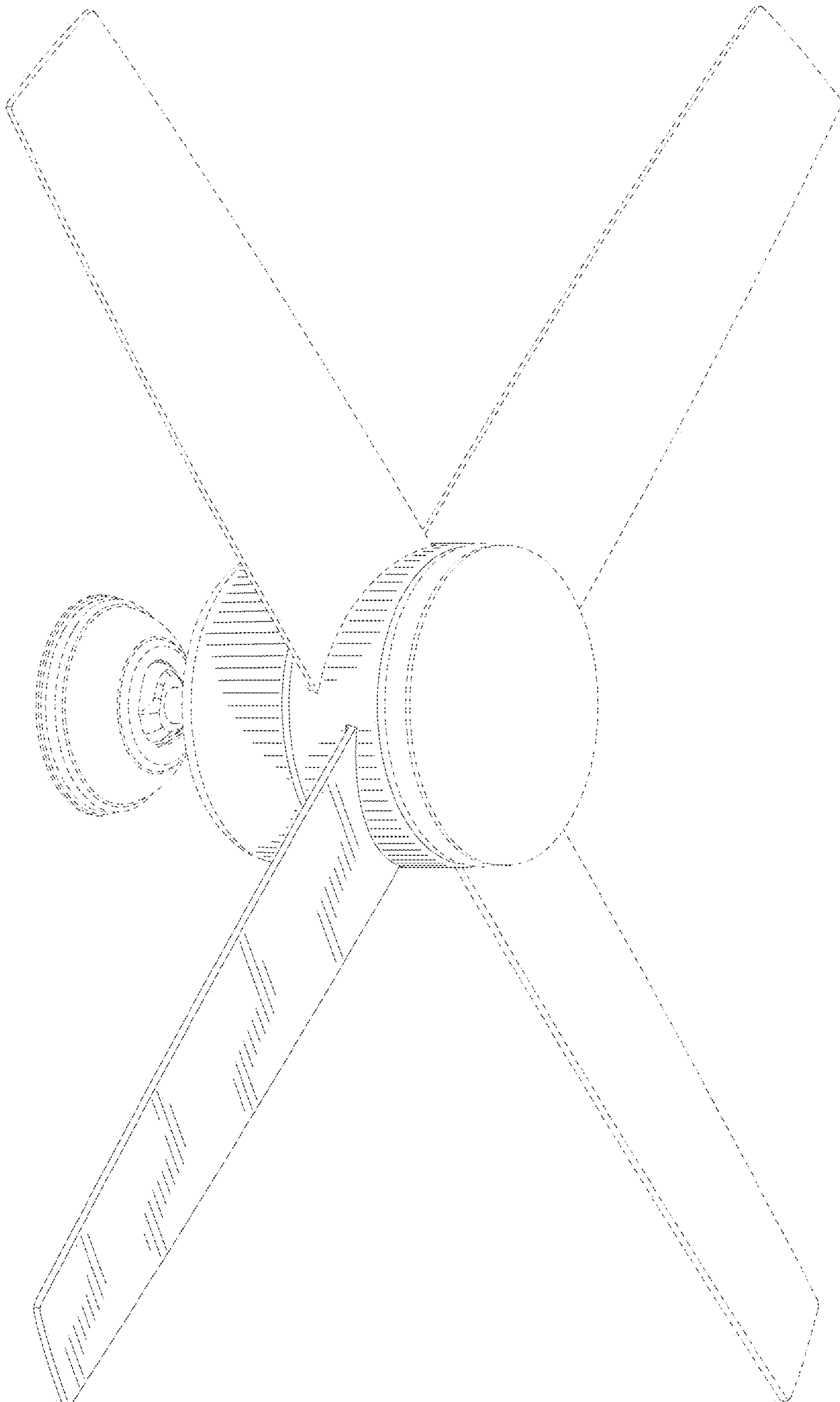


FIG.2

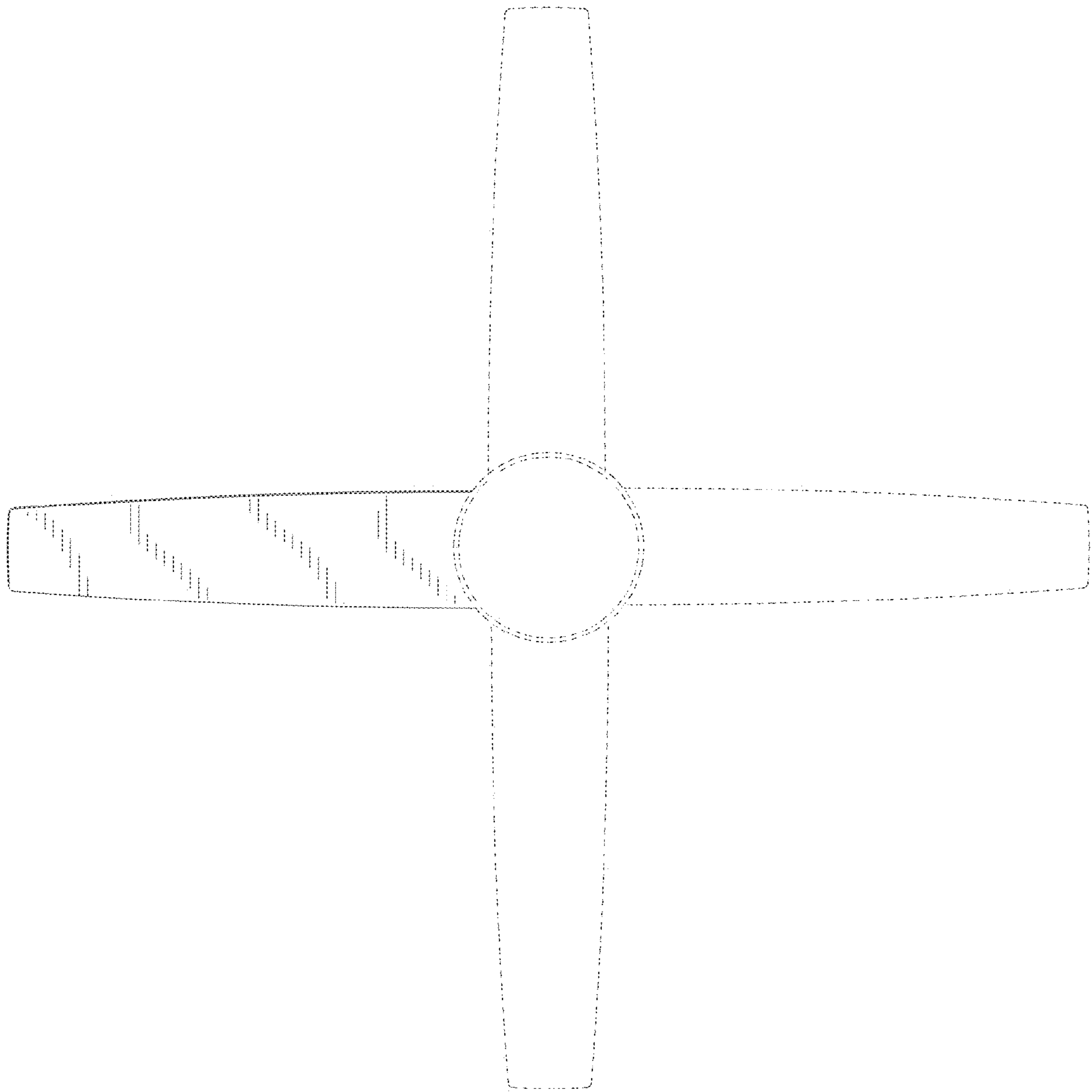


FIG.3

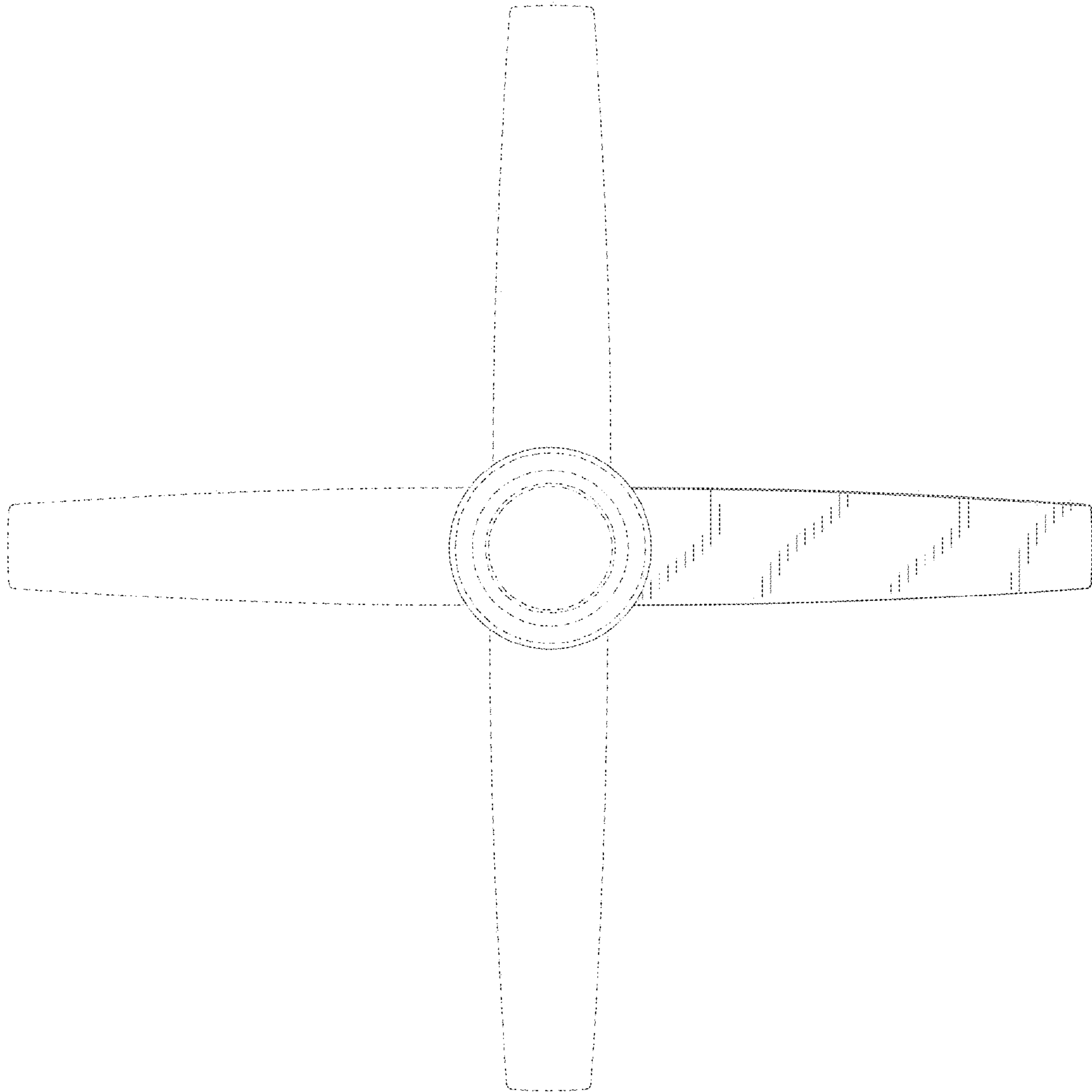


FIG.4

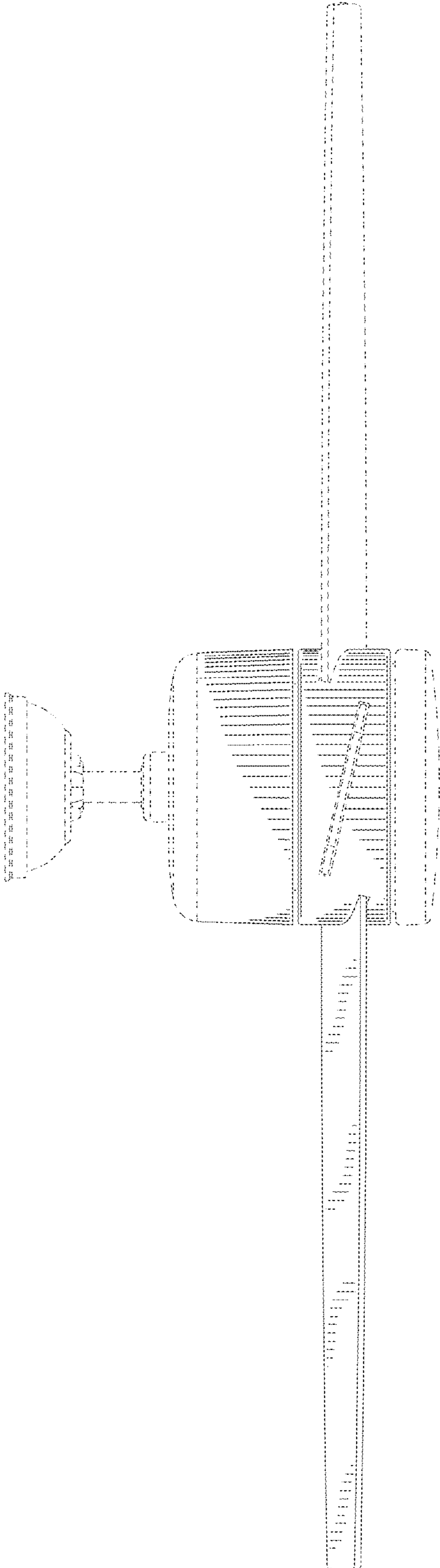


FIG. 5

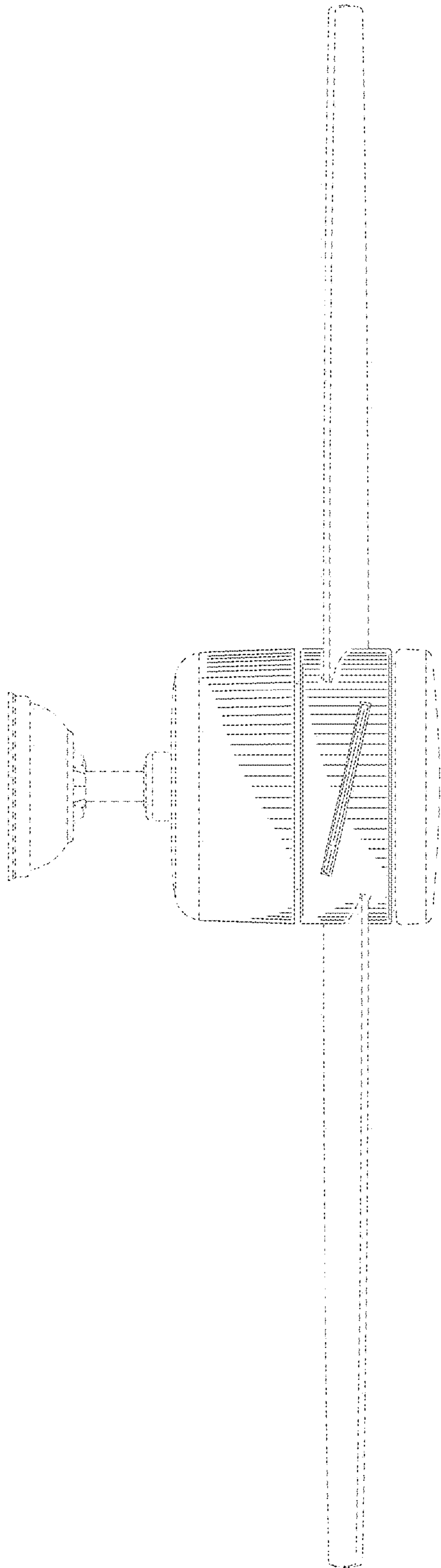


FIG.6



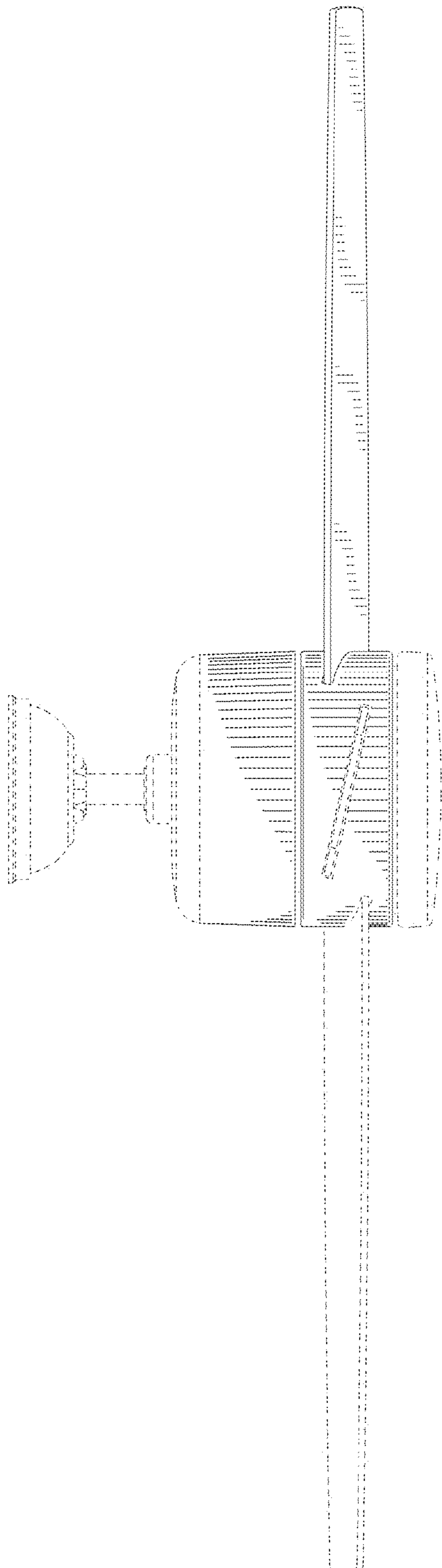


FIG.7

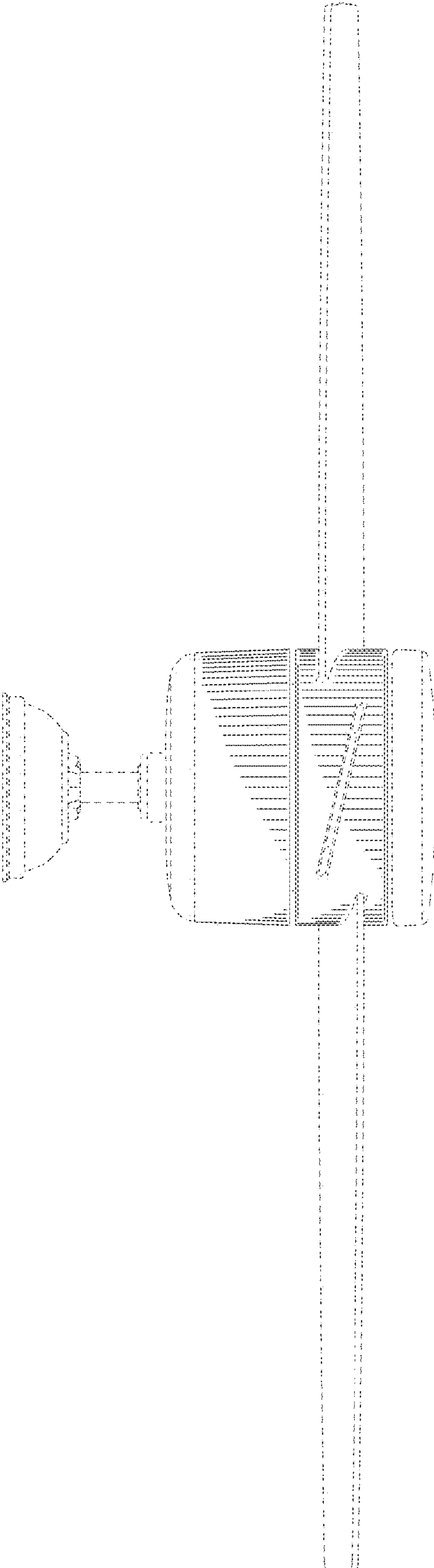


FIG. 8

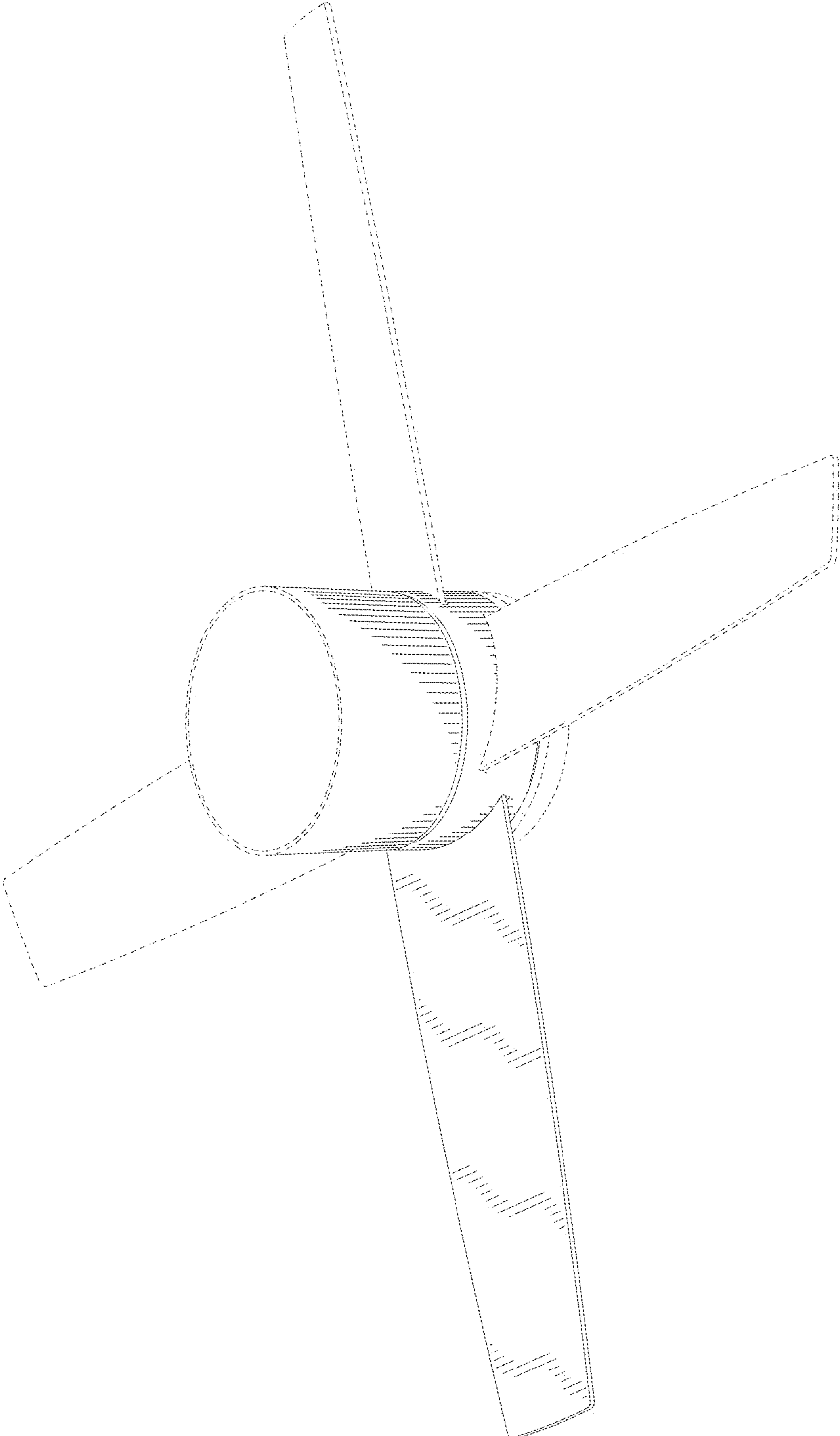


FIG. 9

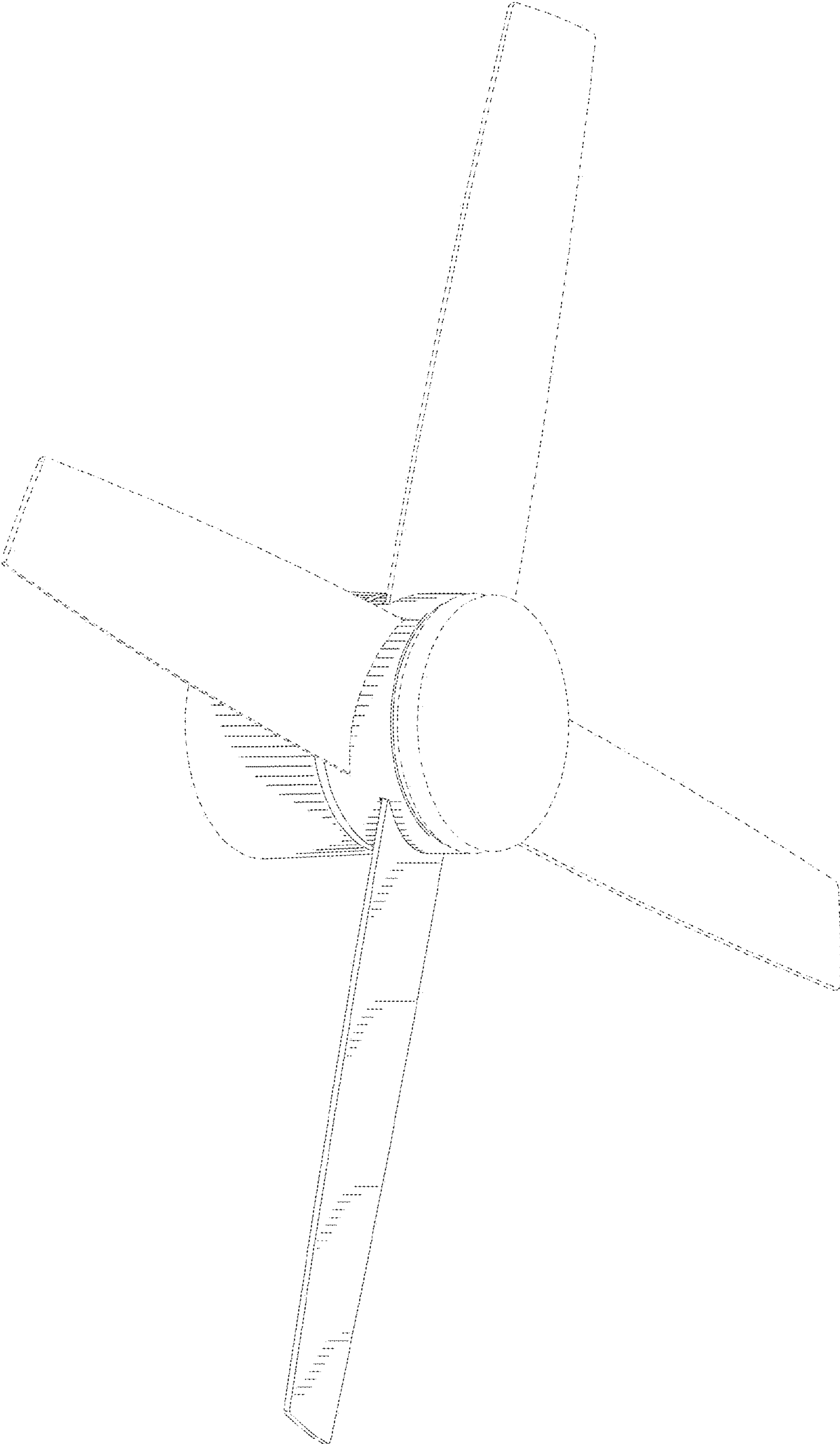


FIG. 10

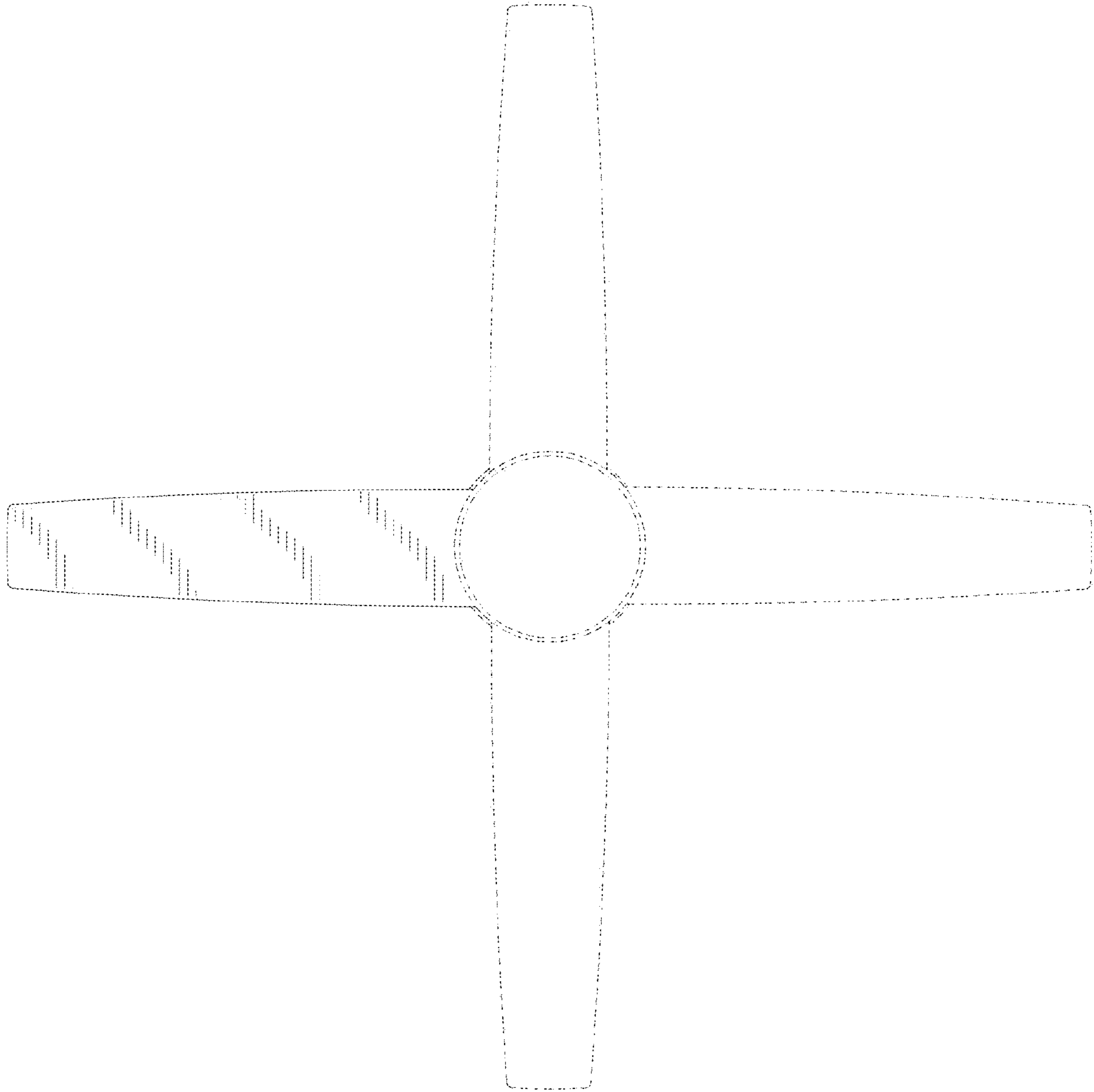


FIG.11

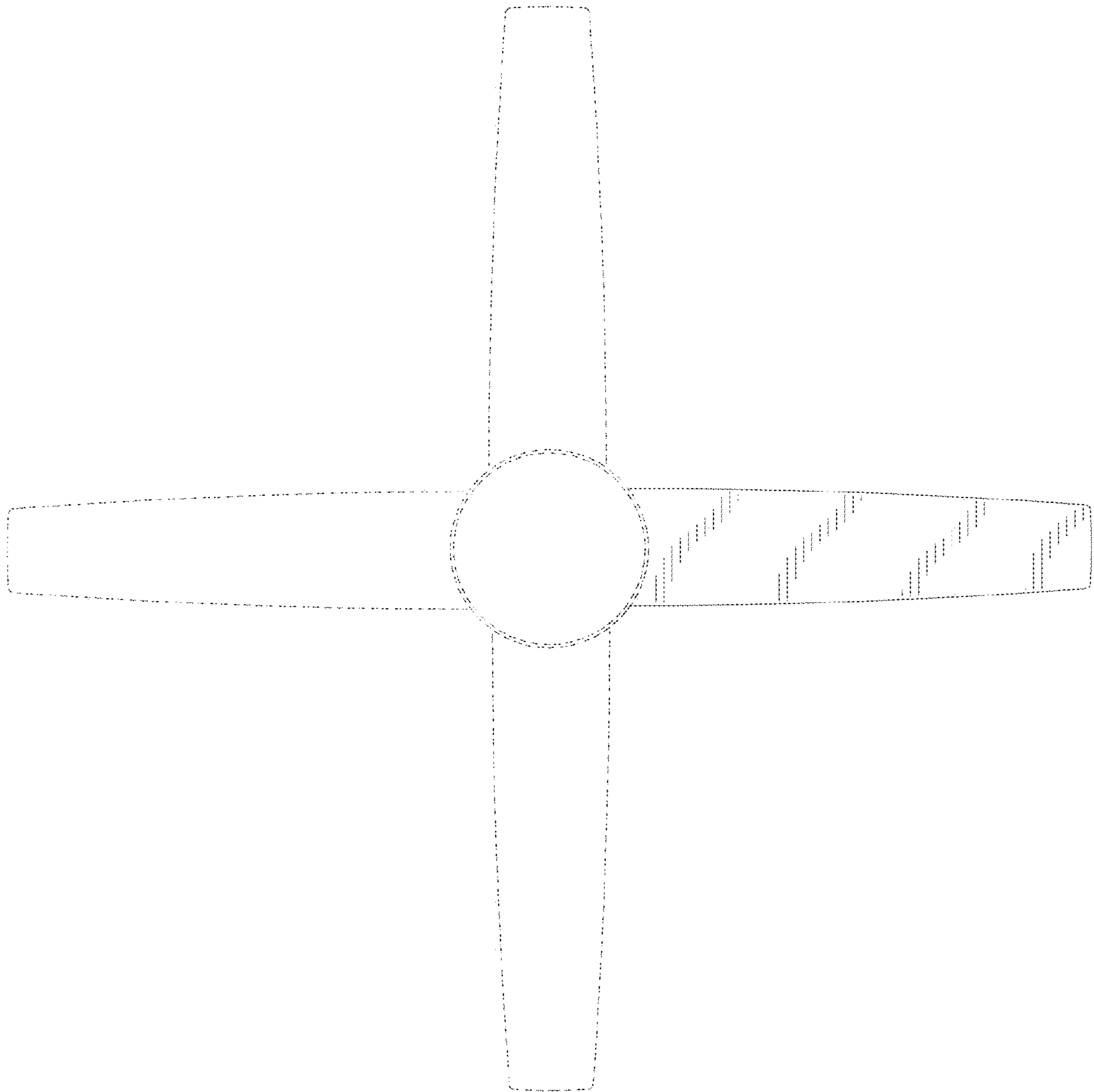


FIG.12

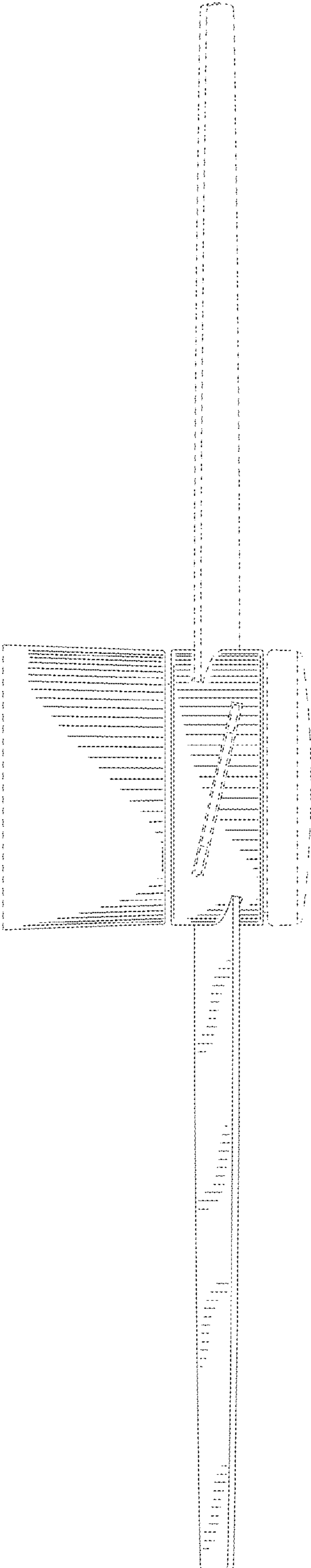


FIG.13

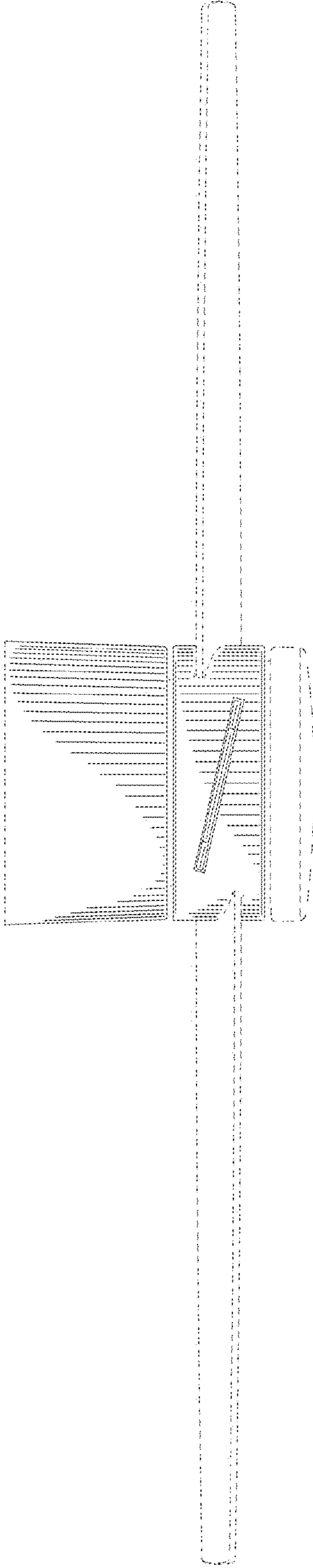


FIG.14



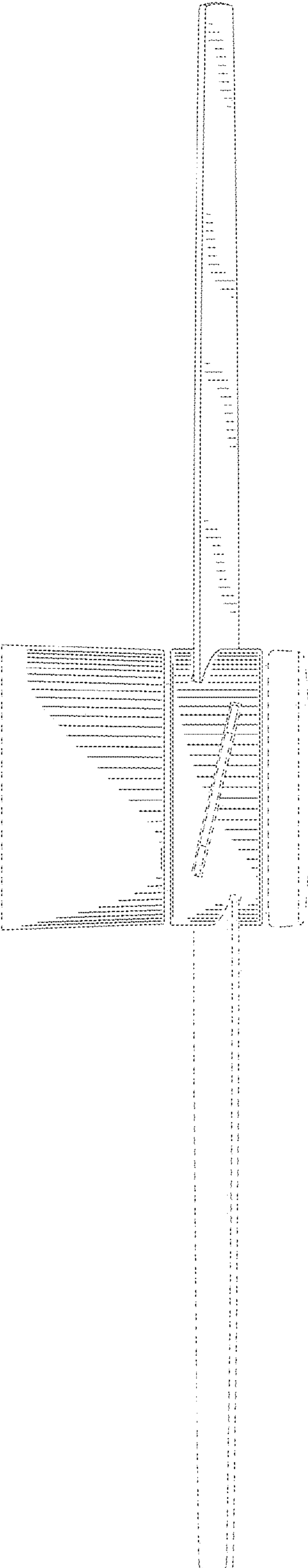


FIG.15

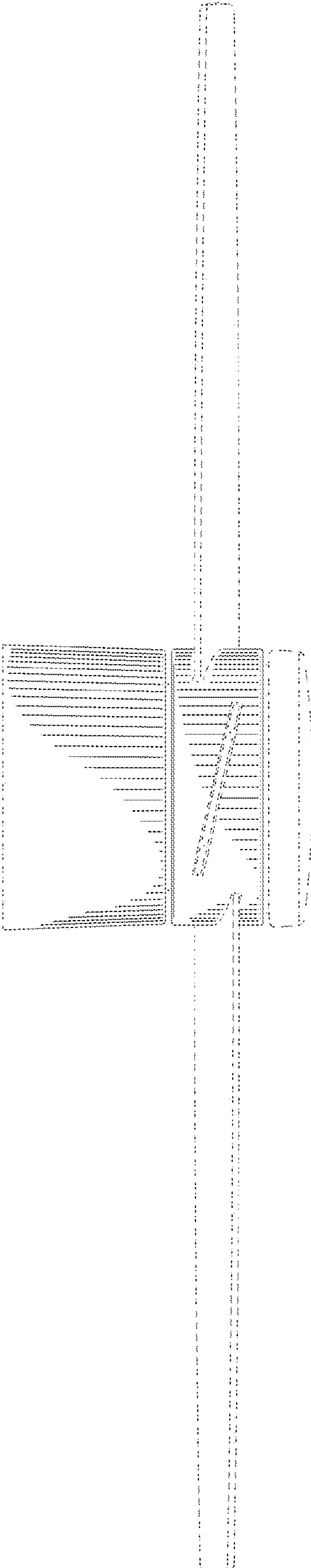


FIG.16