



US00D989272S

(12) **United States Design Patent**  
**Eiffert**

(10) **Patent No.:** **US D989,272 S**

(45) **Date of Patent:** **\*\* Jun. 13, 2023**

(54) **CEILING FAN**

(71) Applicant: **Hunter Fan Company**, Memphis, TN (US)

(72) Inventor: **Ryan Lee Eiffert**, Memphis, TN (US)

(73) Assignee: **Hunter Fan Company**, Memphis, TN (US)

(\*\*) Term: **15 Years**

(21) Appl. No.: **29/747,028**

(22) Filed: **Aug. 19, 2020**

(51) **LOC (14) Cl.** ..... **23-04**

(52) **U.S. Cl.**  
USPC ..... **D23/377**

(58) **Field of Classification Search**  
USPC ..... D23/370, 377, 385, 411, 413; D26/59  
CPC ... F04D 25/088; F04D 29/703; F21V 33/0096  
See application file for complete search history.

(56) **References Cited**

**U.S. PATENT DOCUMENTS**

D393,902 S *	4/1998	Pickett	.....	D23/385
D743,528 S	11/2015	Wang		
D799,668 S	10/2017	Wang		
D805,174 S	12/2017	Guthrie		
D832,990 S	11/2018	Schulzman		
D849,224 S	5/2019	Gardner		
D861,153 S *	9/2019	Chen	.....	D23/377
D872,252 S *	1/2020	McRoberts	.....	D23/377
D874,633 S *	2/2020	McRoberts	.....	D26/59
D877,309 S *	3/2020	Pickett	.....	D23/377
D877,881 S *	3/2020	Hidalgo	.....	D26/59
D879,936 S *	3/2020	Schulzman	.....	D23/385
D882,748 S *	4/2020	Haggar	.....	D23/377
D890,320 S *	7/2020	Holmes	.....	D23/377
D911,510 S *	2/2021	Guthrie	.....	D23/377
D932,608 S *	10/2021	Vidmar	.....	D23/377
D933,187 S *	10/2021	McRoberts	.....	D23/377

D935,594 S *	11/2021	McRoberts	.....	D23/377
D936,202 S *	11/2021	McRoberts	.....	D23/377
D943,078 S *	2/2022	Holmes Bradley	.....	D23/377
D943,728 S *	2/2022	McRoberts	.....	D23/377
D946,134 S *	3/2022	Eiffert	.....	D23/377
D947,356 S *	3/2022	Holmes Bradley	.....	D23/377
D948,022 S *	4/2022	McRoberts	.....	D23/377
D950,037 S *	4/2022	Holmes Bradley	.....	D23/377

(Continued)

**OTHER PUBLICATIONS**

Hunter, "Lindbeck 52 in. LED Indoor/Outdoor Brushed Slate Ceiling Fan with Light", web page <<https://www.hunterfan.com/ceiling-fans/lindbeck-outdoor-with-light-52-inch-fan732>>, site visited Oct. 7, 2019, 4 pages, US.

(Continued)

*Primary Examiner* — Janice Hallmark

(74) *Attorney, Agent, or Firm* — McGarry Bair PC

(57) **CLAIM**

The ornamental design for a ceiling fan, as shown and described.

**DESCRIPTION**

FIG. 1 is a top perspective view of a ceiling fan, showing my new design.

FIG. 2 is a bottom perspective view thereof;

FIG. 3 is a top view thereof;

FIG. 4 is a bottom view thereof;

FIG. 5 is a front view thereof;

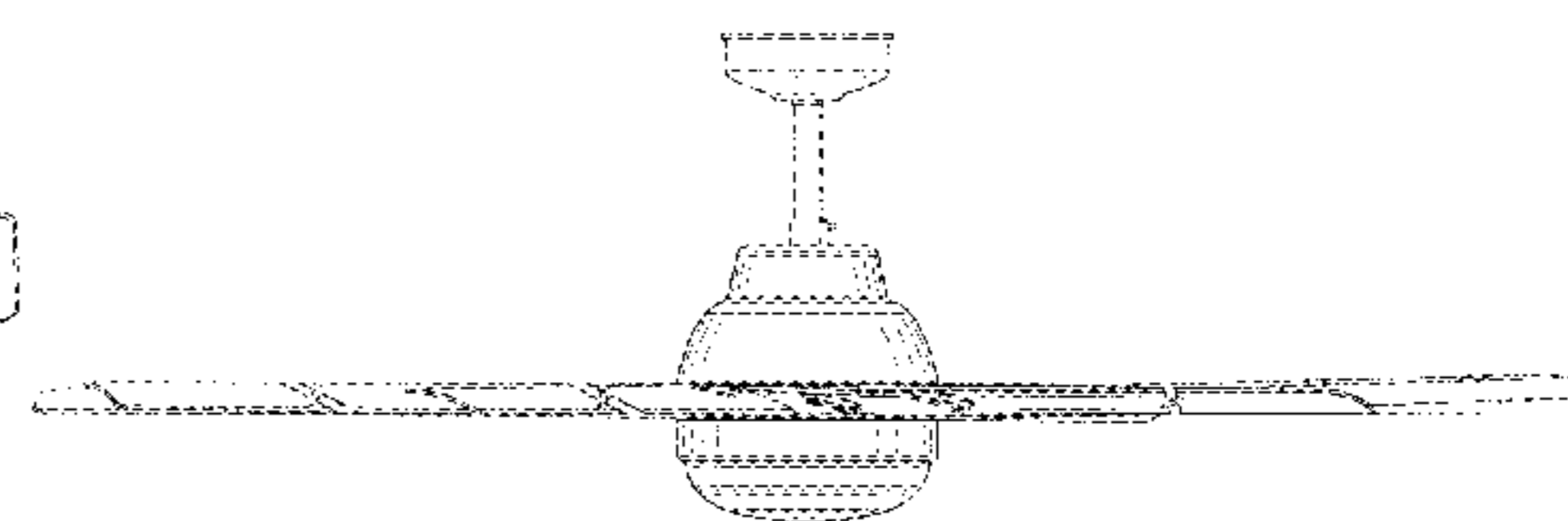
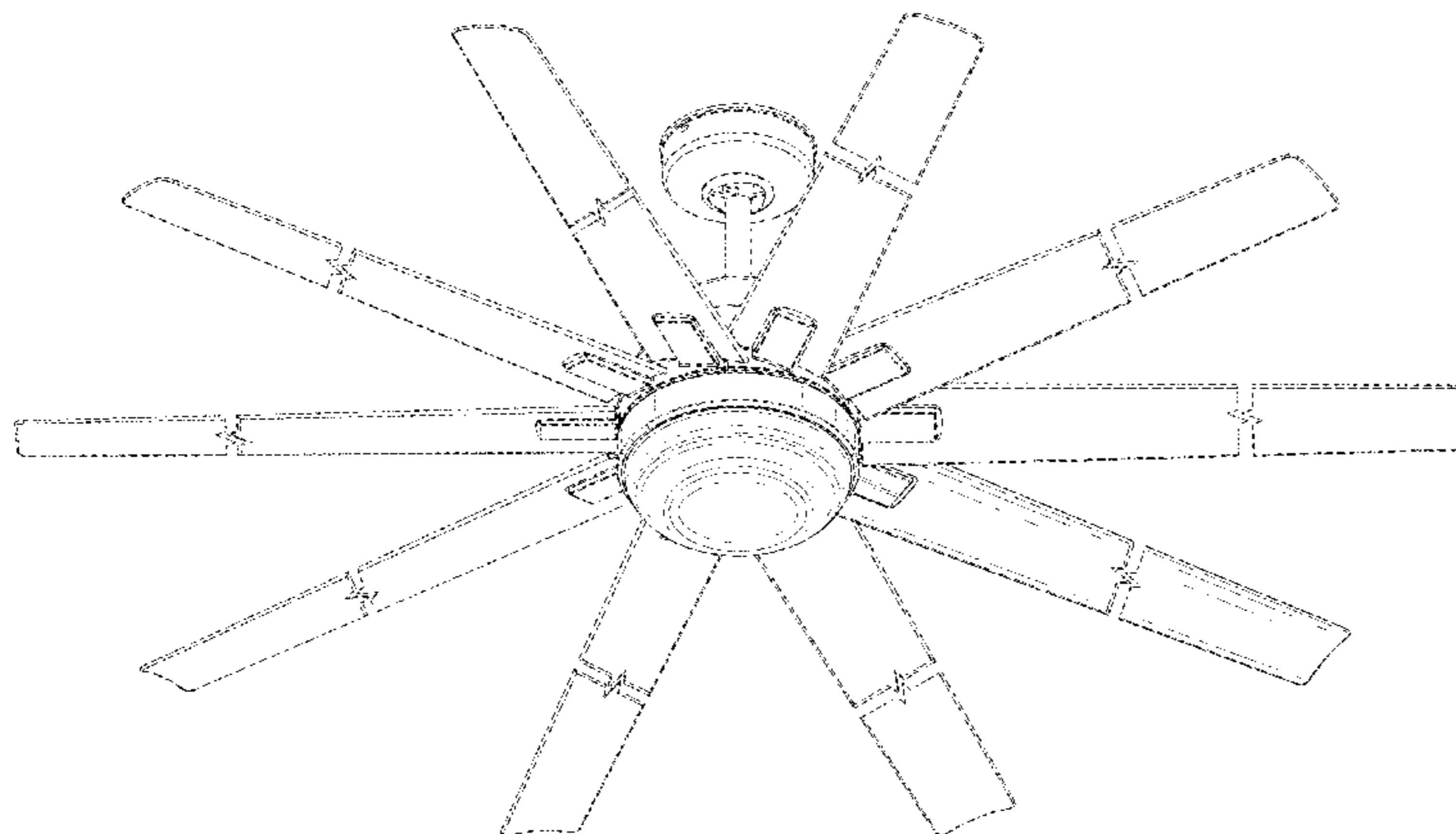
FIG. 6 is a rear view thereof;

FIG. 7 is a right-side view thereof; and,

FIG. 8 is a left-side view thereof.

Portions of the ceiling fan shown in broken lines form no part of the claimed design. Jagged break lines shown on the ceiling fan's blades depict a symbolic break in length and form no part of the claimed design.

**1 Claim, 8 Drawing Sheets**



(56)

**References Cited**

U.S. PATENT DOCUMENTS

D958,318 S \* 7/2022 Webb ..... D23/377  
D961,755 S \* 8/2022 Eiffert ..... D23/377  
D964,541 S \* 9/2022 Hong ..... D23/377  
D965,762 S \* 10/2022 Lintner ..... D23/377

OTHER PUBLICATIONS

Minka Group, "Slipstream LED 65" Ceiling Fan, web page <<https://www.minkagroup.net/f8881-whf.html>>, site visited Oct. 7, 2019, 9 pages, US.

Hunter, "Channelside Outdoor with Light 52 Inch", web page <<https://www.hunterfan.com/ceiling-fans/channelside-outdoor-with-light-52-inch-fam728>>, site visited Oct. 7, 2020, 9 pages, US.

Fanimation, "Stellar 96", web page <<https://www.fanimation.com/products/index.php/fans/stellar-96.html>>, site visited Oct. 7, 2019, 7 pages, US.

Monte Carlo, "Kingston Collection", web page <<http://www.montecarlofans.com/58825/72-Kingston---Matte-White-8KGR72RZWD.html>>, site visited Oct. 7, 2019, 1 page, US.

Fanimation, "Odyn 84", web page <<https://www.fanimation.com/products/index.php/fans/odyn-84.html>>, site visited Oct. 7, 2019, 7 pages, US.

Minka Group, "Xtreme—96" Ceiling Fan", web page <<https://www.minkagroup.net/f887-96-bn.html>>, site visited Oct. 7, 2019, 7 pages, US.

\* cited by examiner

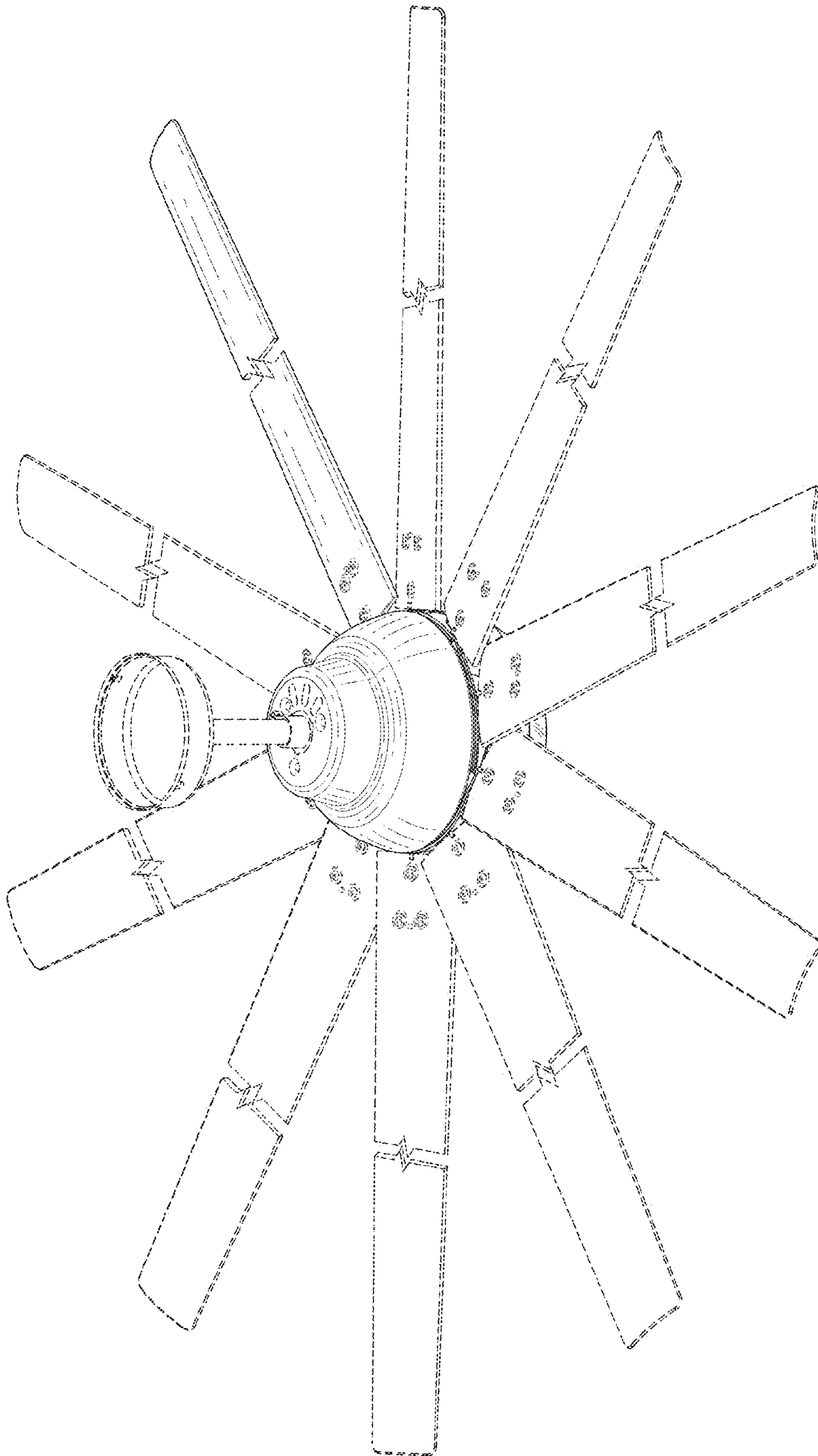


FIG. 1

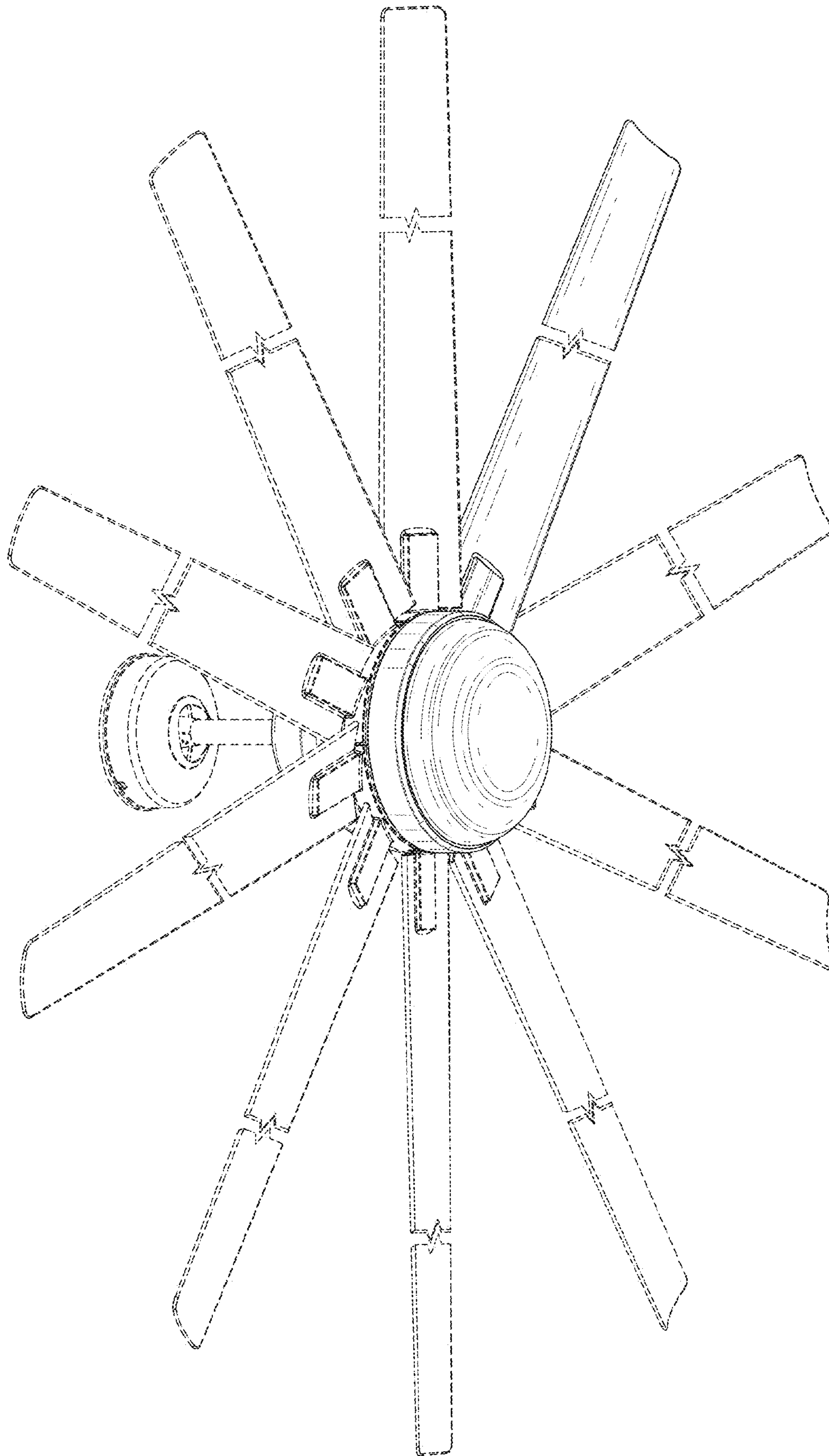


FIG. 2

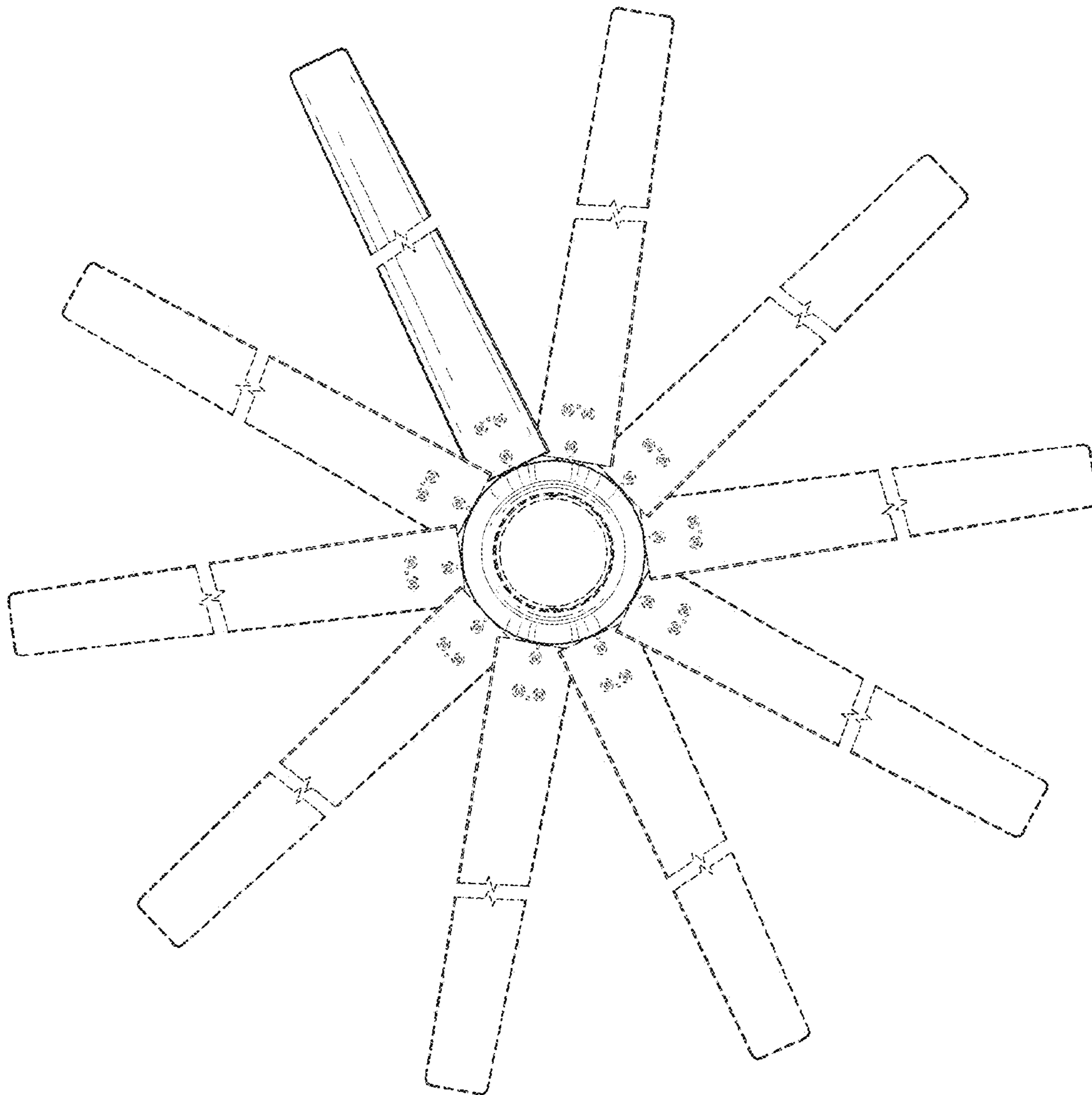


FIG. 3

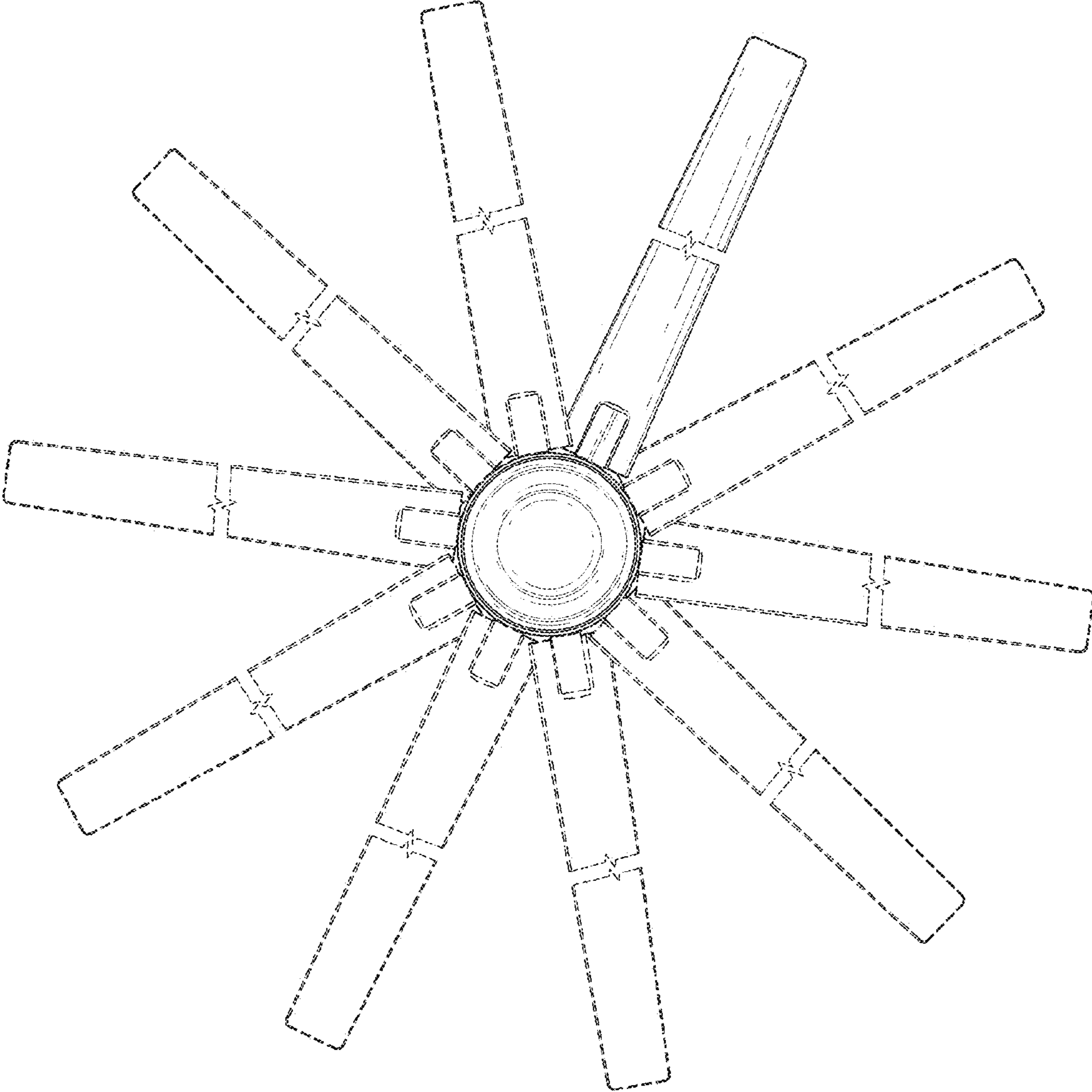


FIG. 4

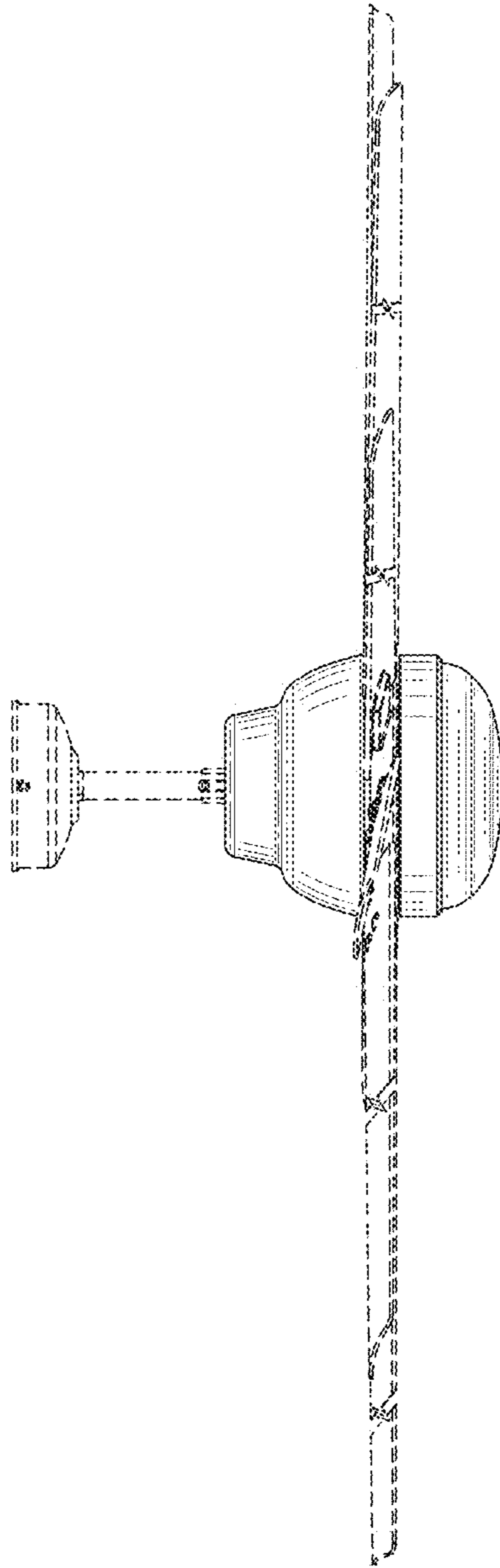


FIG. 5

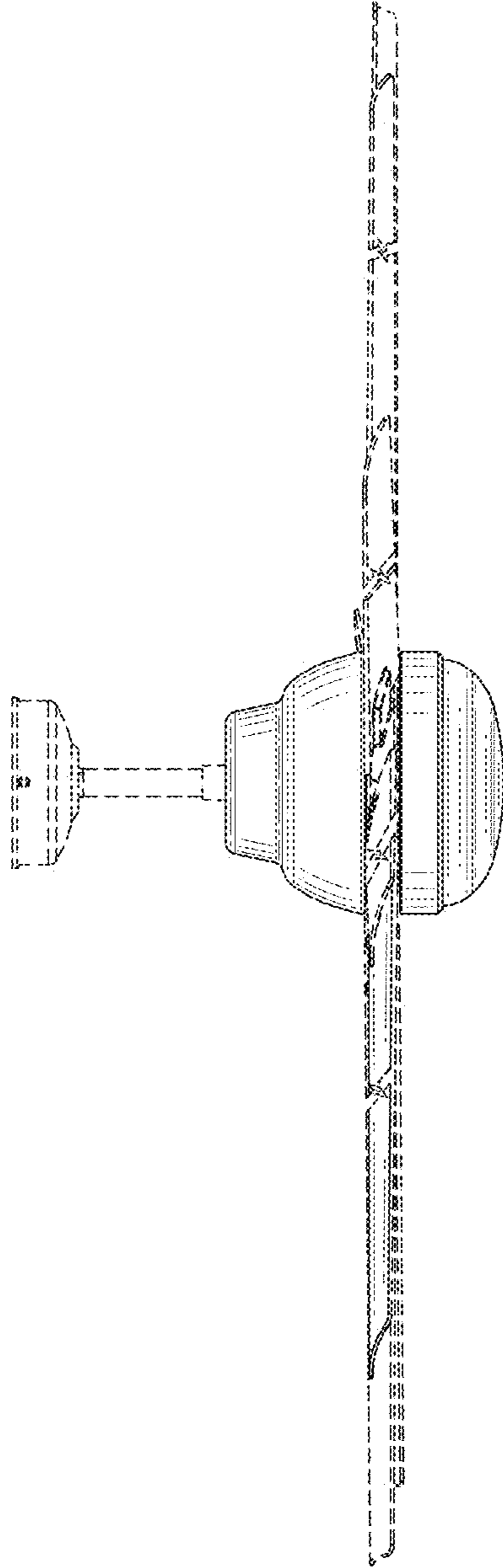


FIG. 6



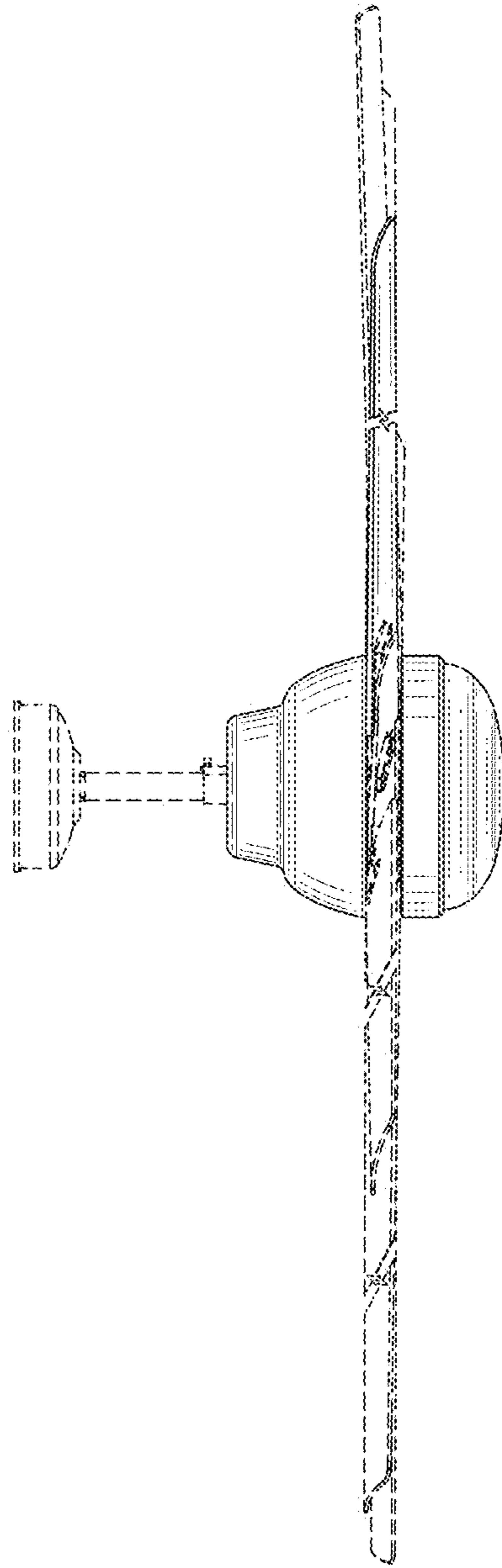


FIG. 7

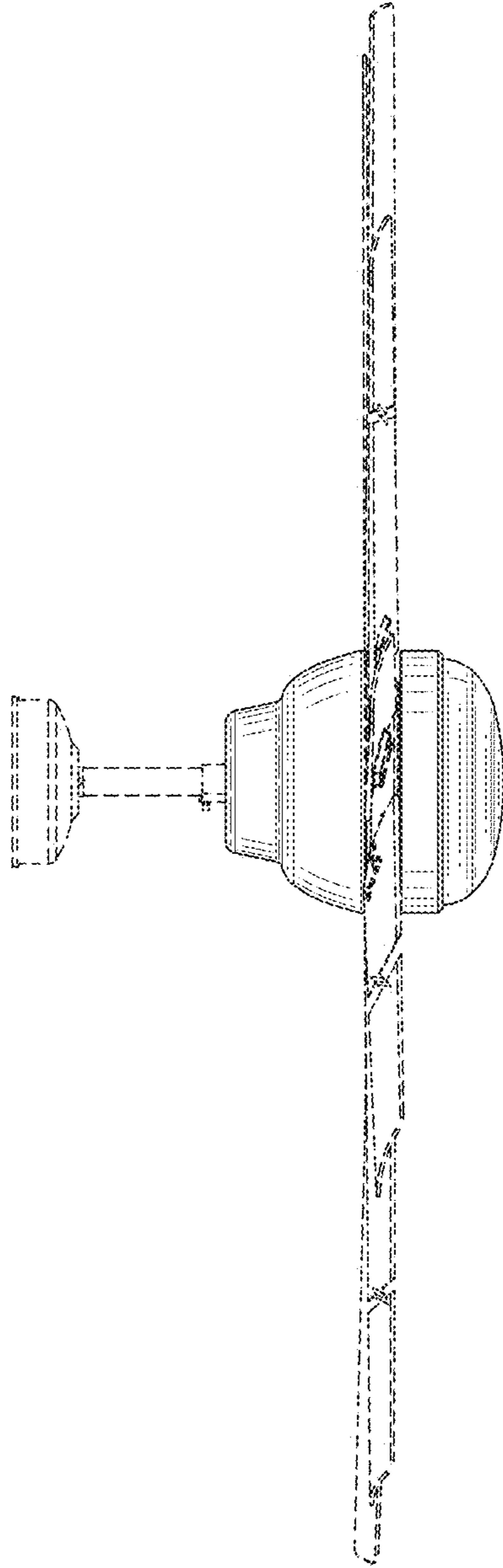


FIG. 8