



US00D989271S

(12) **United States Design Patent** (10) **Patent No.:** **US D989,271 S**  
**Amade** (45) **Date of Patent:** **\*\* Jun. 13, 2023**

(54) **VENTILATING FAN ASSEMBLY WITH SOLAR PANELS**

D885,457 S \* 5/2020 Vozzi ..... D16/203  
D915,946 S \* 4/2021 Amade ..... D12/102  
D936,128 S \* 11/2021 Rosenkvist ..... D16/203  
2008/0152482 A1 \* 6/2008 Patel ..... F04D 25/084  
415/121.3

(71) Applicant: **Dayn Amade Inventions Ltd.**, London (GB)

(Continued)

(72) Inventor: **Dayn Amade**, Maputo (MZ)

**FOREIGN PATENT DOCUMENTS**

(\*\*) Term: **15 Years**

CN 107174710 A 9/2017  
FR 2585955 A1 2/1987

(21) Appl. No.: **35/512,929**

(Continued)

(22) Filed: **Oct. 25, 2021**

*Primary Examiner* — Sharon S Oum

(80) **Hague Agreement Data**

(57) **CLAIM**

Int. Filing Date: **Oct. 25, 2021**  
Int. Reg. No.: **DM/217223**  
Int. Reg. Date: **Oct. 25, 2021**  
Int. Reg. Pub. Date: **Nov. 12, 2021**

The ornamental design for a ventilating fan assembly with solar panels, as shown and described.

**DESCRIPTION**

(30) **Foreign Application Priority Data**

Apr. 27, 2021 (GB) ..... 6133579

(51) **LOC (14) Cl.** ..... **23-04**

(52) **U.S. Cl.**  
USPC ..... **D23/382**; D23/328

(58) **Field of Classification Search**  
USPC ..... D23/328, 332–337, 351–352, 370, 378,  
D23/380–383; D13/102; D16/203  
CPC .... F04D 25/0673; F04D 25/08; F04D 25/084;  
F04D 25/086; F24F 2005/0067  
See application file for complete search history.

**1.1** is a left side view of a ventilating fan assembly with solar panels in a closed configuration;  
**1.2** is a perspective view thereof, but in an open configuration;  
**1.3** is a front view of **1.1**;  
**1.4** is a front view of **1.2**;  
**1.5** is another perspective view of **1.2**;  
**1.6** is a bottom view of **1.1**;  
**1.7** is a top view of **1.1**;  
**1.8** is a right side view of **1.1**;  
**1.9** is a perspective view of **1.1**;  
**1.10** is a back view of **1.1**; and  
**1.11** is a top view of **1.2**.

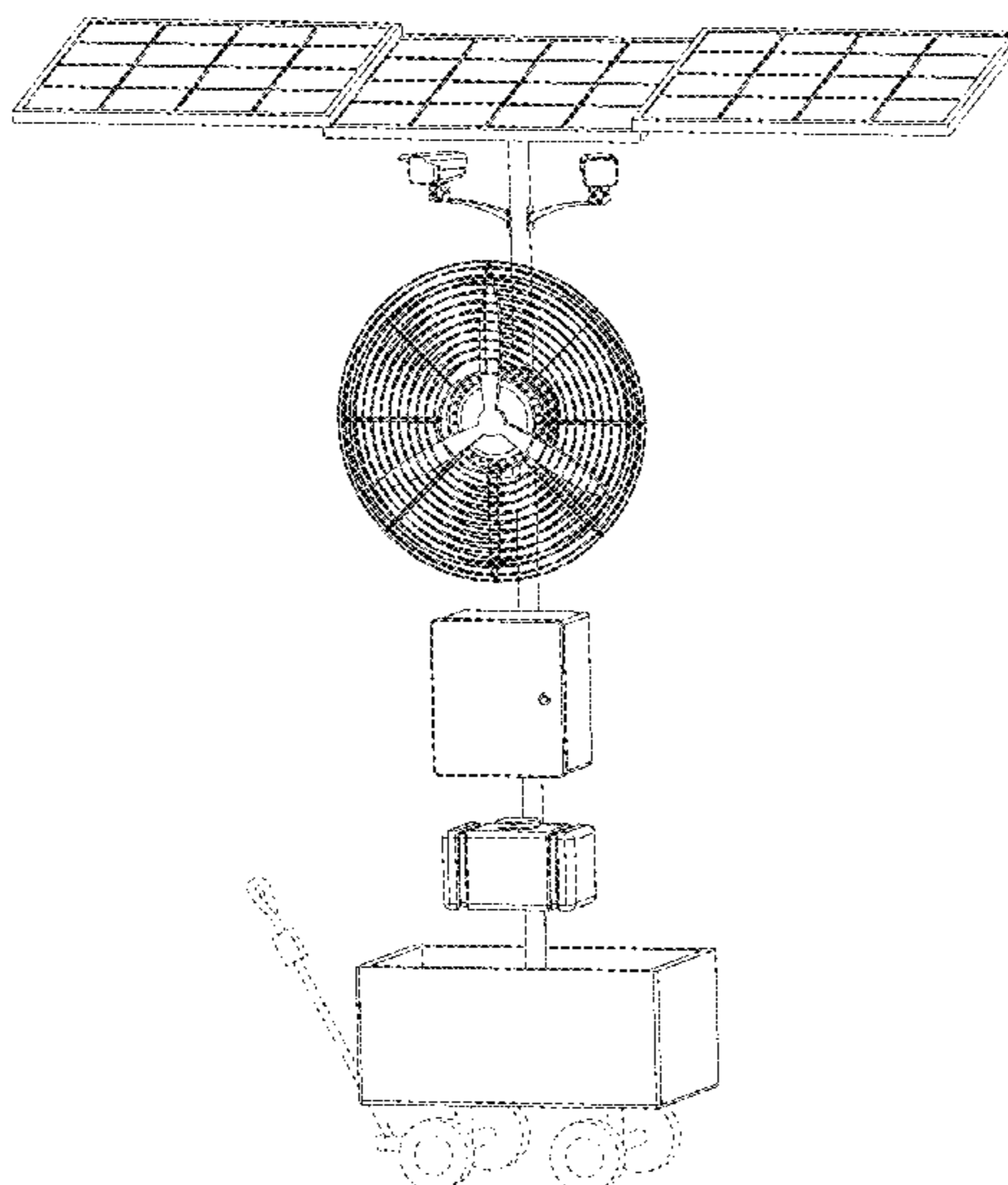
(56) **References Cited**

**U.S. PATENT DOCUMENTS**

4,989,595 A 2/1991 De Vuono et al.  
D327,947 S \* 7/1992 Clark ..... D23/382  
D567,345 S \* 4/2008 Dean ..... D23/314  
D637,640 S \* 5/2011 Park ..... D16/203  
D758,922 S \* 6/2016 Cavallo ..... D12/102  
D811,575 S \* 2/2018 Fizer ..... D23/382

The design is illustrated in the closed configuration, in which the solar panels are folded together; the design is also illustrated in an open configuration, in which the solar panels are unfolded; the parts shown by means of broken lines in the reproductions are not part of the claimed design; in Fig. **1.10**, the horizontal and vertical lines within the central circular area of the fan housing are not part of the claimed design.

**1 Claim, 11 Drawing Sheets**



(56)

**References Cited**

U.S. PATENT DOCUMENTS

2013/0186120 A1\* 7/2013 Lee ..... F24F 13/32  
62/235.1  
2014/0224247 A1 8/2014 Tan  
2018/0266714 A1\* 9/2018 Perrelle ..... F04D 25/084  
2019/0055951 A1\* 2/2019 Jacobs ..... F04D 25/0673  
2021/0364175 A1\* 11/2021 Naehu ..... F24F 5/0046

FOREIGN PATENT DOCUMENTS

WO 2016085354 A1 6/2016  
WO 2018035579 A1 3/2018  
WO 2018109095 A1 6/2018

\* cited by examiner

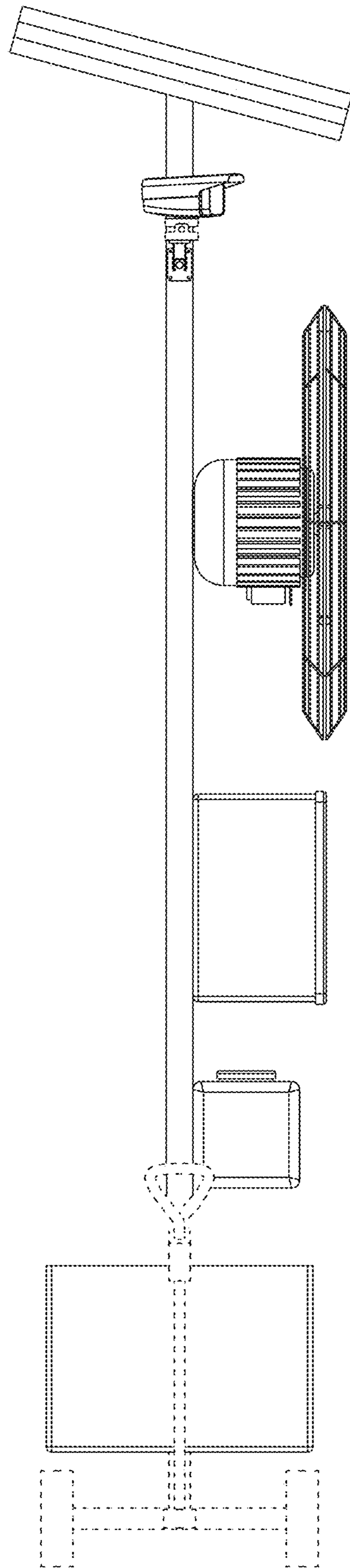


Fig. 1.1

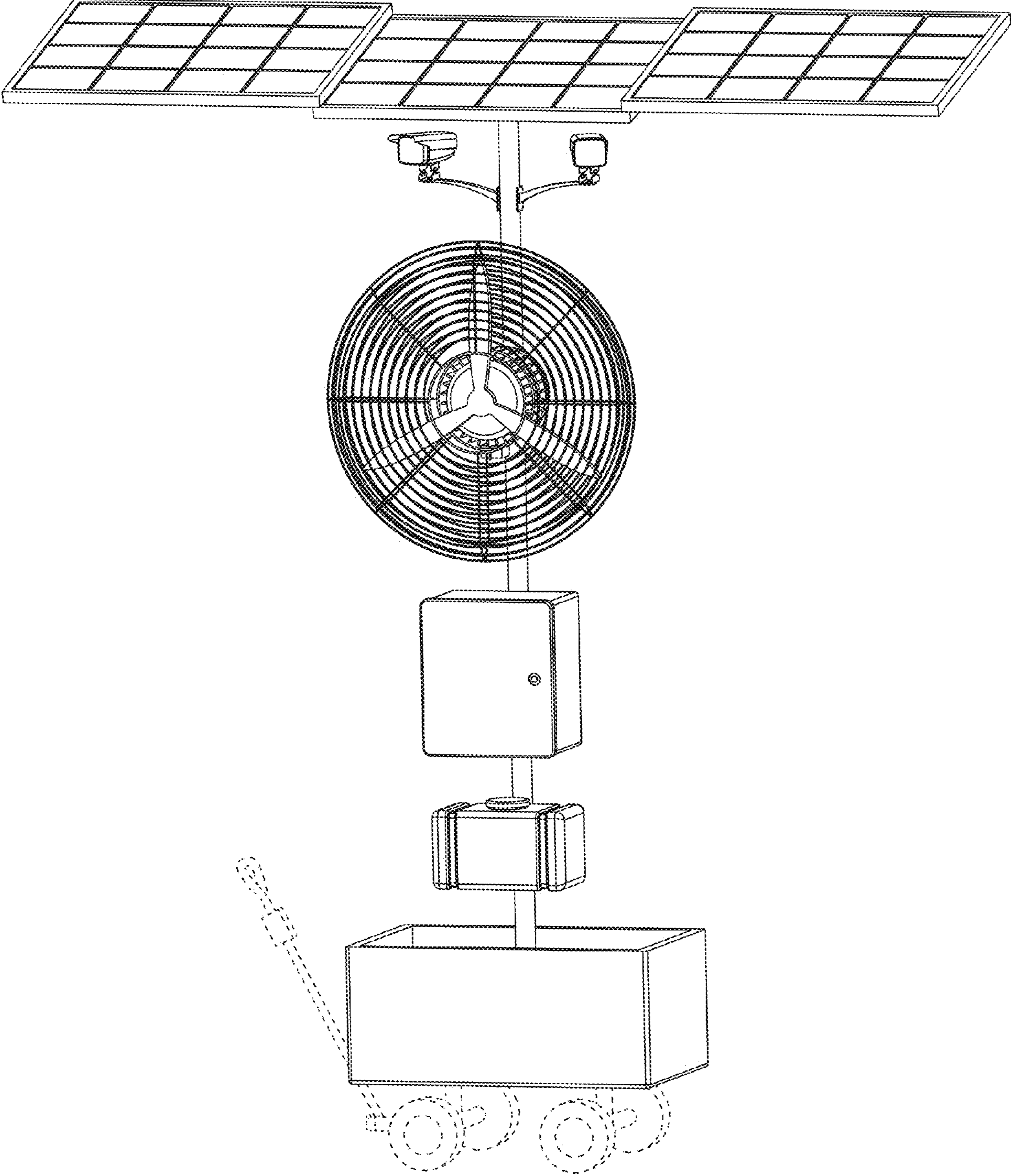


Fig. 1.2

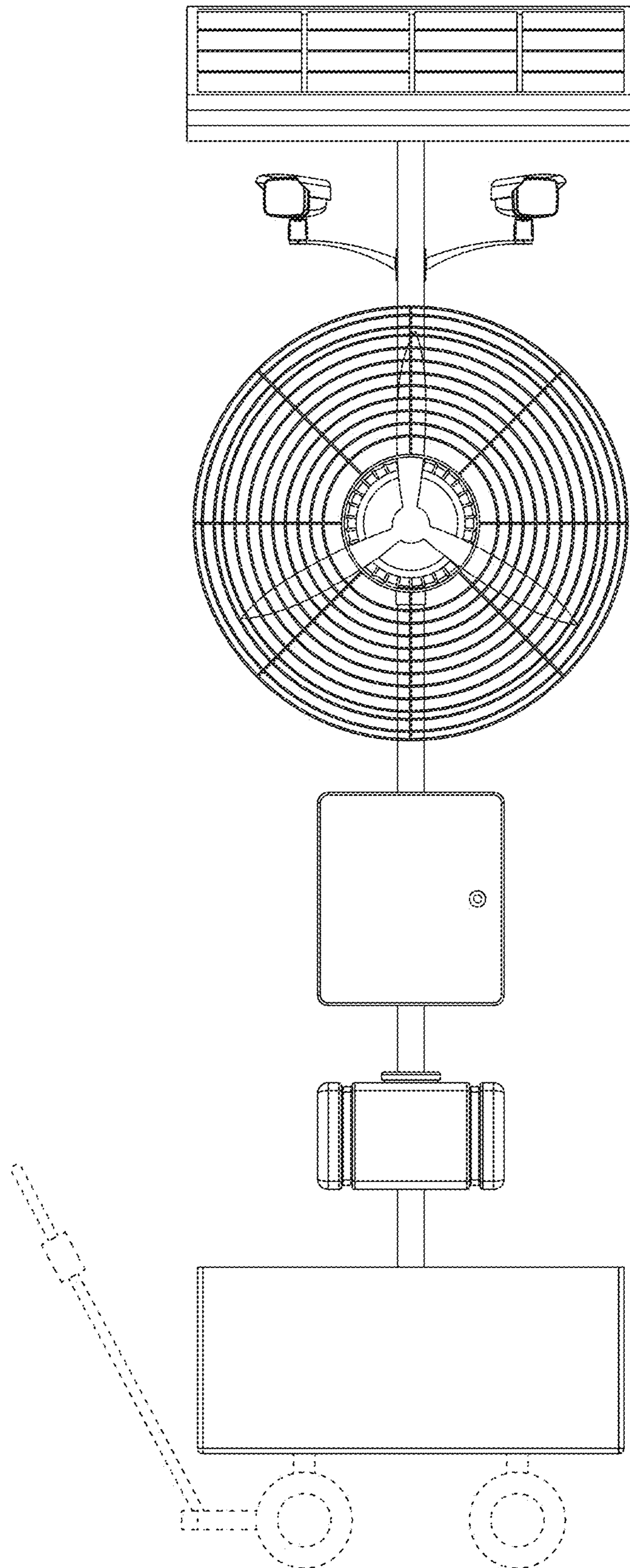


Fig. 1.3

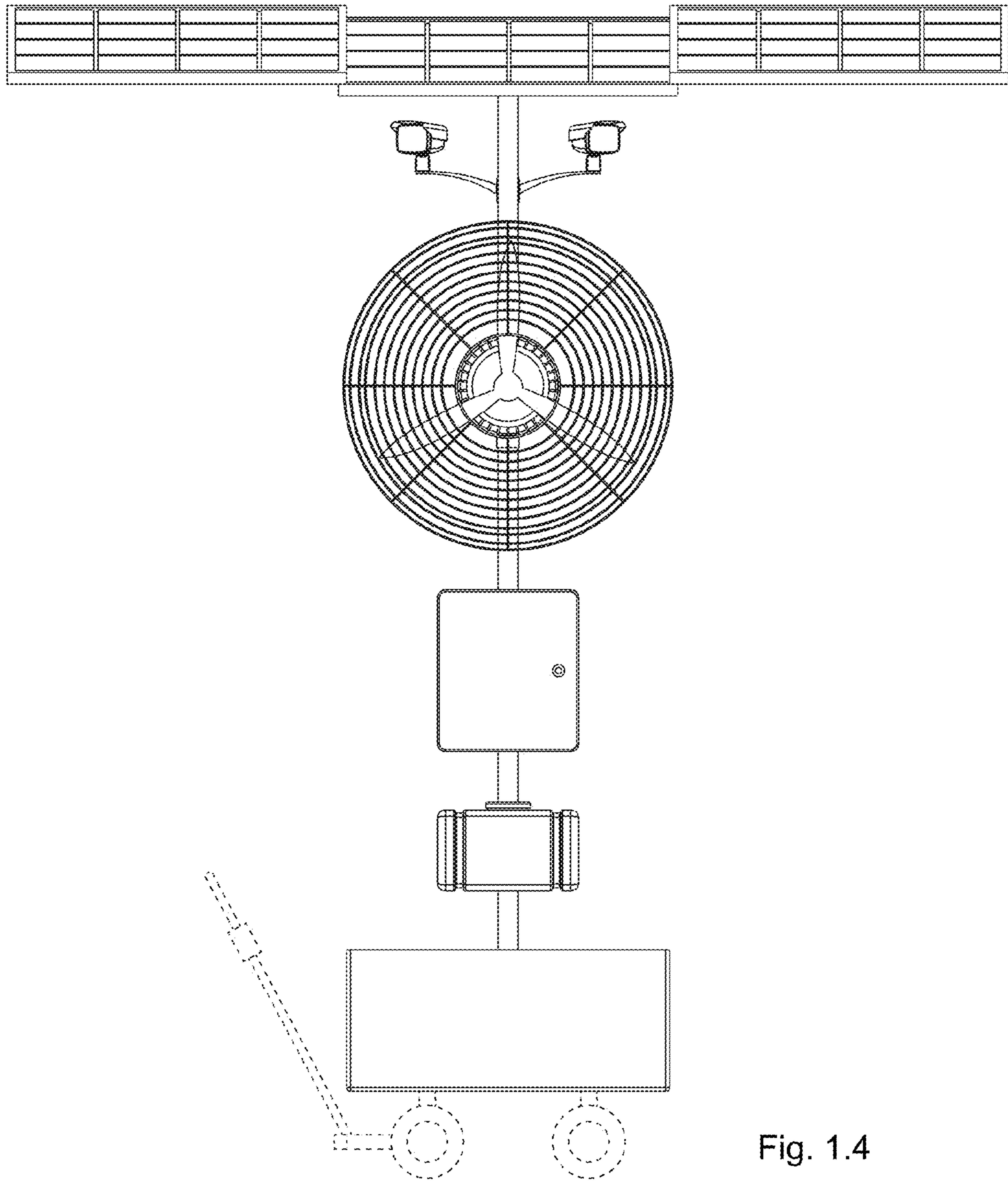


Fig. 1.4

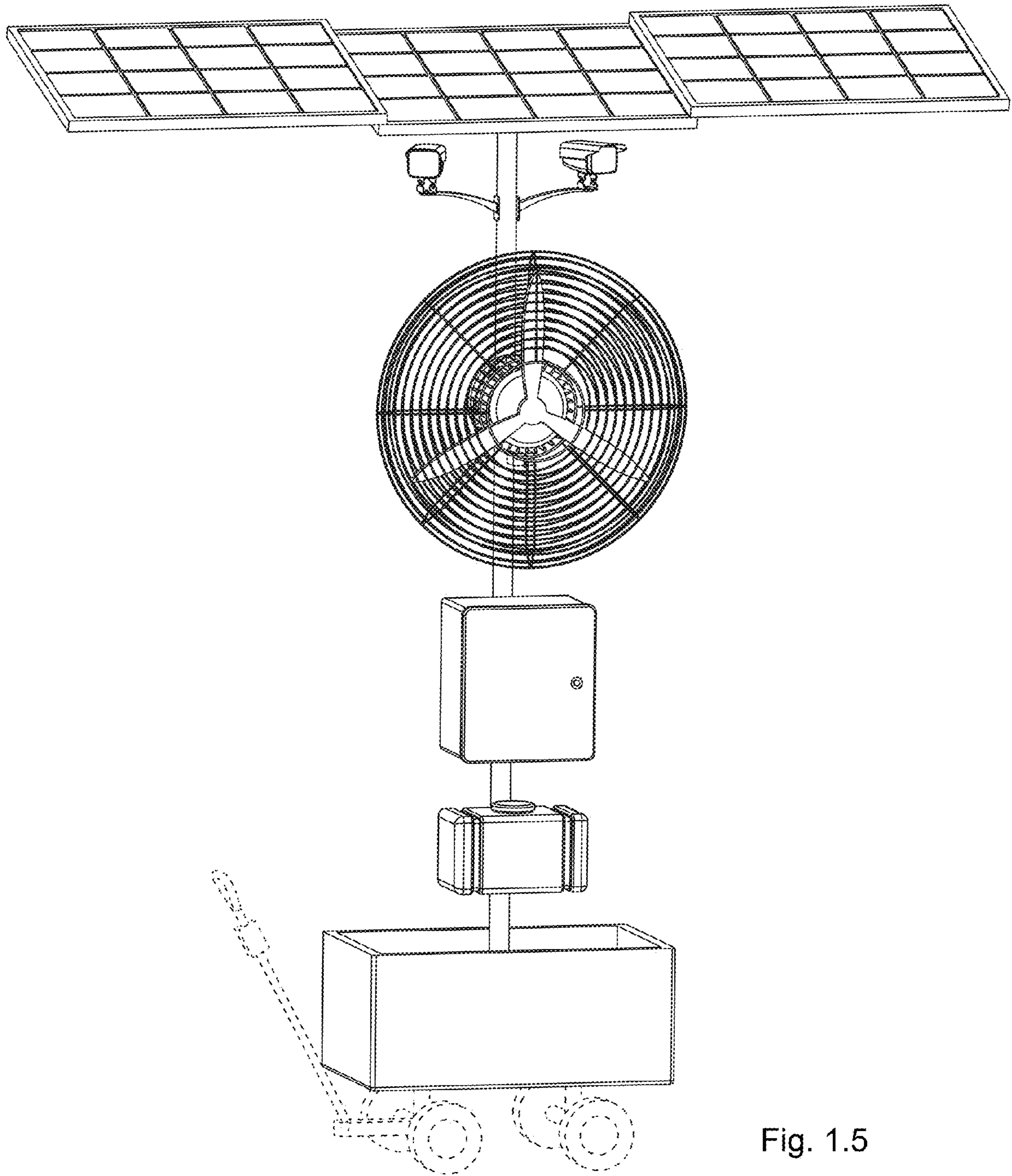


Fig. 1.5

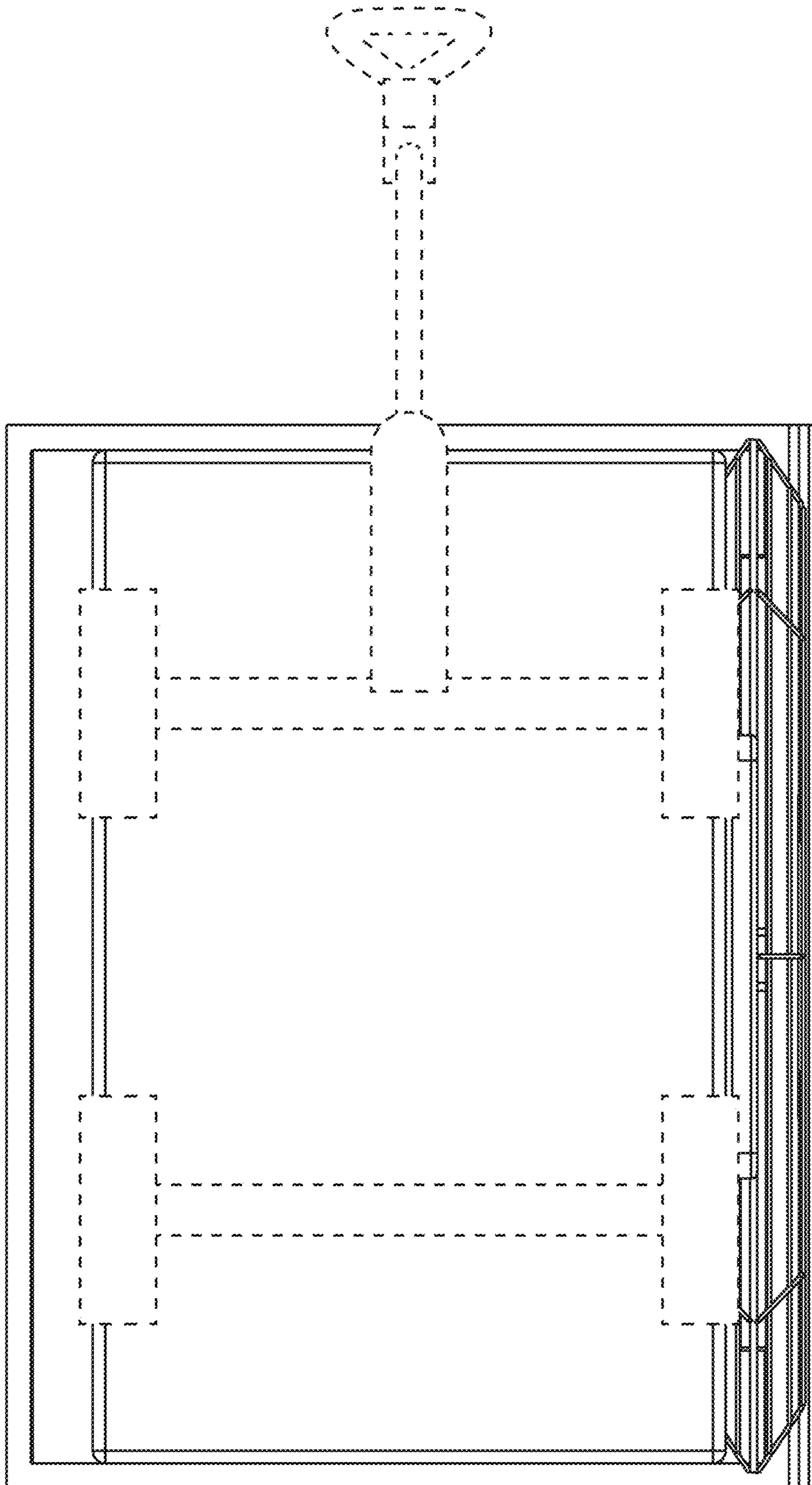


Fig. 1.6



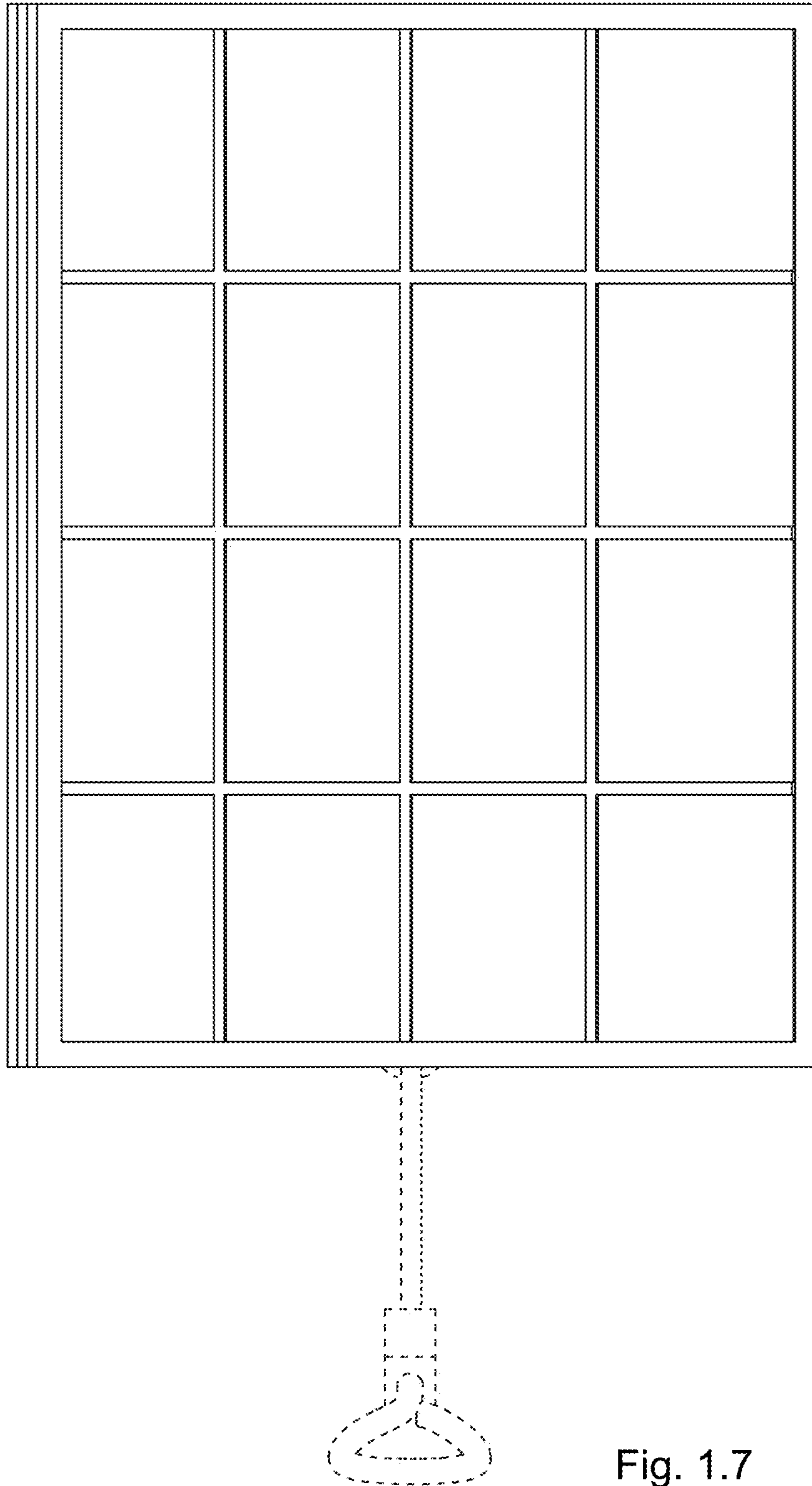


Fig. 1.7

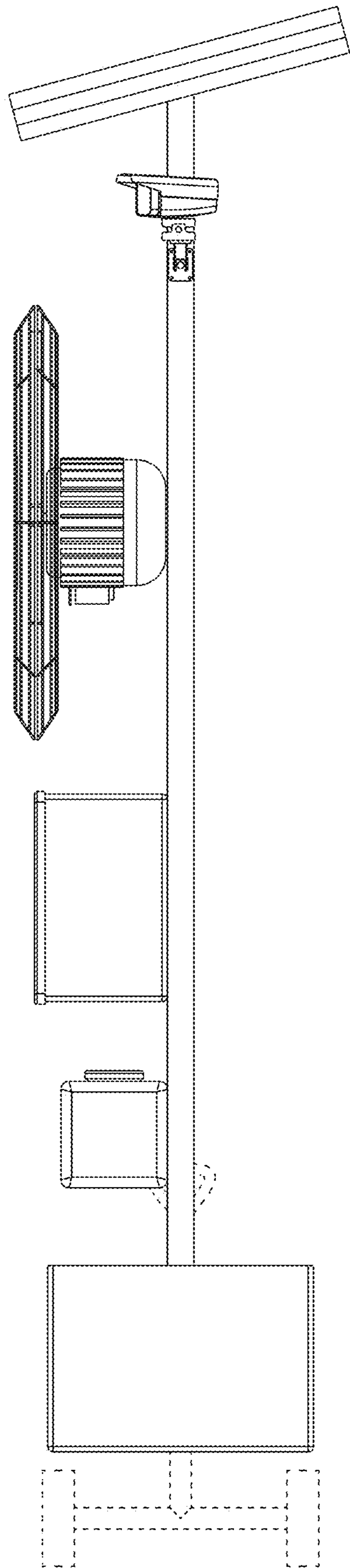


Fig. 1.8

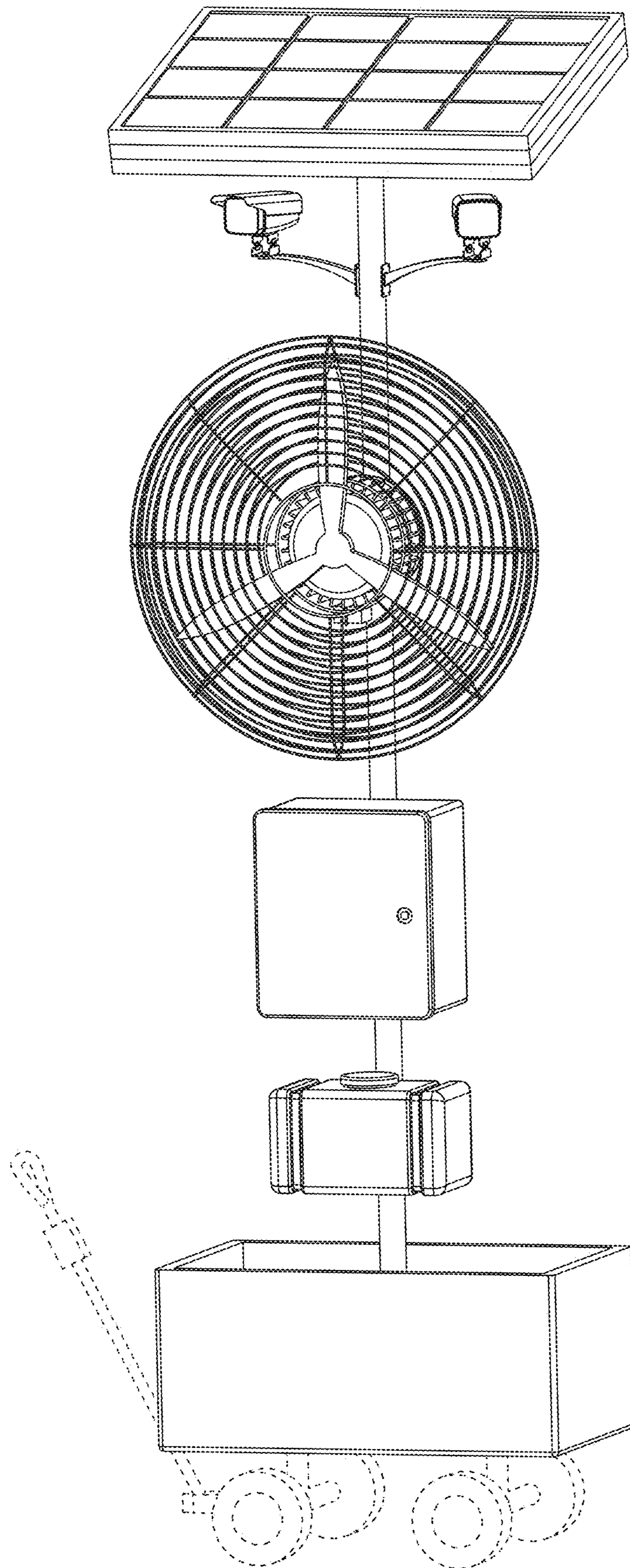


Fig. 1.9

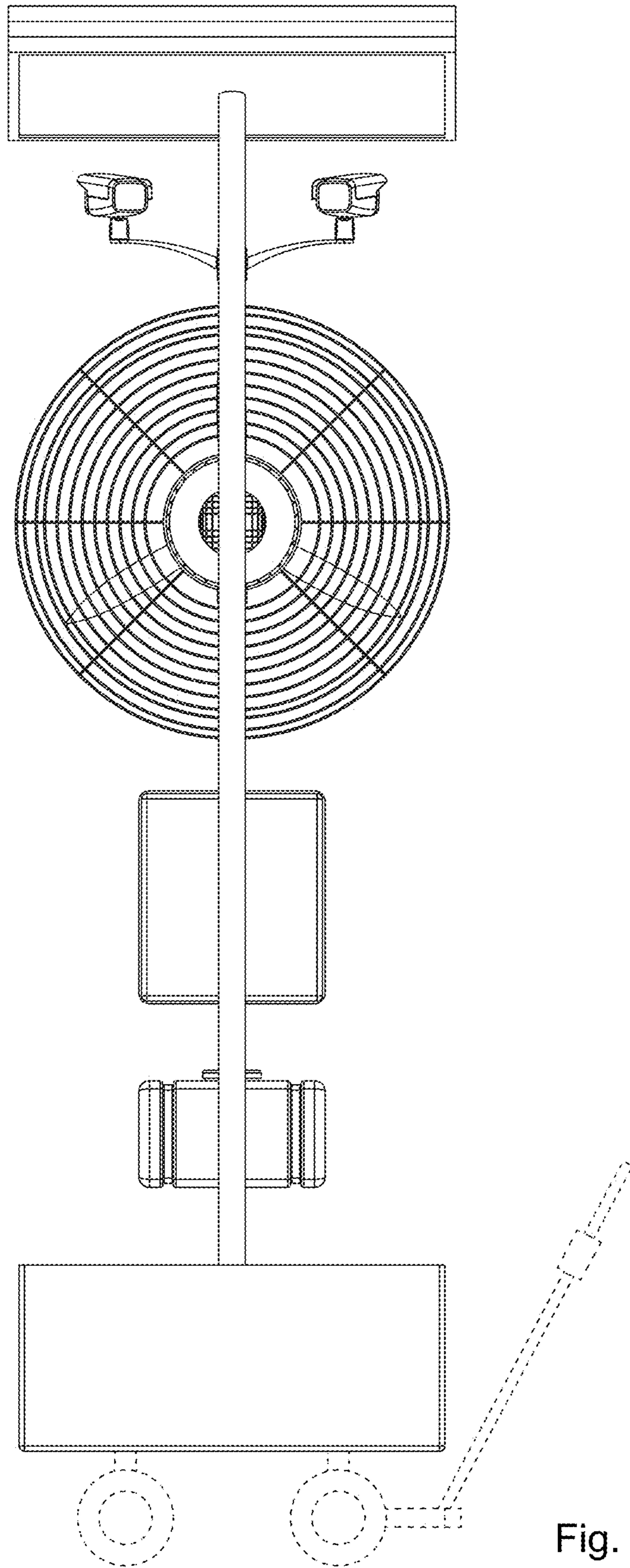


Fig. 1.10

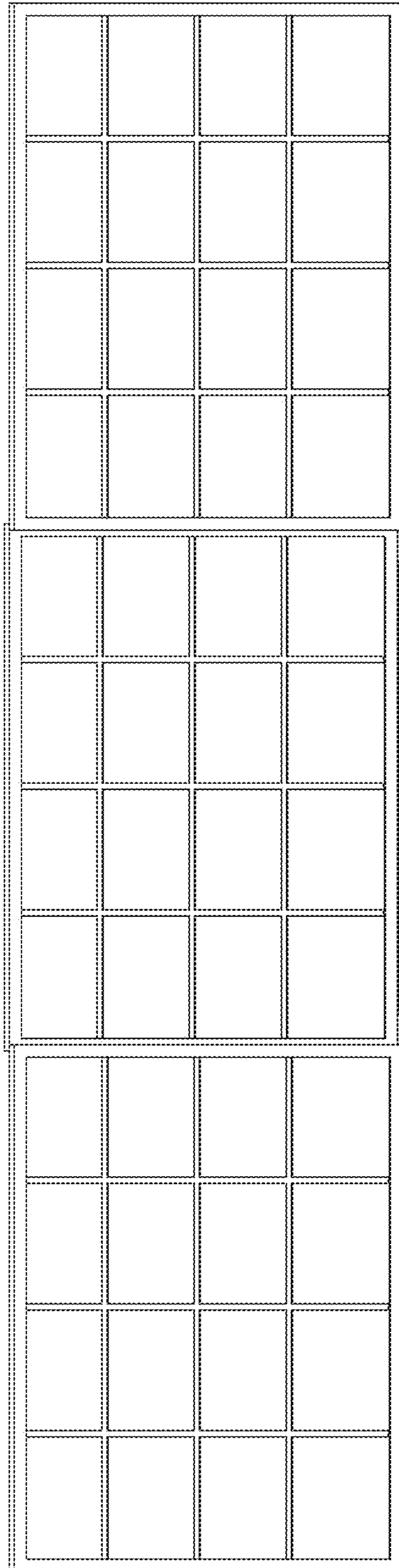


Fig. 1.11