



US00D989270S

(12) **United States Design Patent**
Xu

(10) **Patent No.:** **US D989,270 S**
(45) **Date of Patent:** **** Jun. 13, 2023**

(54) **CAR FAN**

(71) Applicant: **Qizhi Xu**, Shenzhen (CN)

(72) Inventor: **Qizhi Xu**, Shenzhen (CN)

(**) Term: **15 Years**

(21) Appl. No.: **29/815,909**

(22) Filed: **Nov. 17, 2021**

(51) **LOC (14) Cl.** **23-04**

(52) **U.S. Cl.**
USPC **D23/380; D23/324; D23/382**

(58) **Field of Classification Search**
USPC D23/328, 332-337, 351-352, 370, 378,
D23/380-383, 324-325

CPC F04D 25/0673; F04D 25/08; F04D 25/084;
F04D 25/086

See application file for complete search history.

(56) **References Cited**

U.S. PATENT DOCUMENTS

D101,740 S	*	10/1936	Kirsch	D23/380
D438,299 S	*	2/2001	Gonzales	D23/380
D591,842 S	*	5/2009	Young	D23/380
D646,418 S	*	10/2011	Yamada	D26/63
D857,876 S	*	8/2019	Ye	D23/380
D862,679 S	*	10/2019	Zhou	D23/380
D933,803 S		10/2021	He		
D934,407 S		10/2021	Xiao		
D938,008 S	*	12/2021	Xu	D23/382
D940,295 S	*	1/2022	Li	D23/382
D956,202 S	*	6/2022	Yang	D23/382

OTHER PUBLICATIONS

V.Resourcing USB Fan for Car, date posted Jun. 23, 2021, site visited Jul. 25, 2022, available at <<https://www.youtube.com/watch?v=KaVf0hLHSH4>>.*

* cited by examiner

Primary Examiner — Sharon S Oum

(74) *Attorney, Agent, or Firm* — Justin Lampel

(57) **CLAIM**

The ornamental design for a car fan, as shown and described.

DESCRIPTION

FIG. 1 is a front, right and top perspective view of a car fan, showing my design.

FIG. 2 is a rear, left and bottom perspective view thereof.

FIG. 3 is a rear, left and top perspective view thereof.

FIG. 4 is a front elevation view thereof.

FIG. 5 is a rear elevation view thereof.

FIG. 6 is a left side elevation view thereof.

FIG. 7 is a right side elevation view thereof.

FIG. 8 is a top plan view thereof.

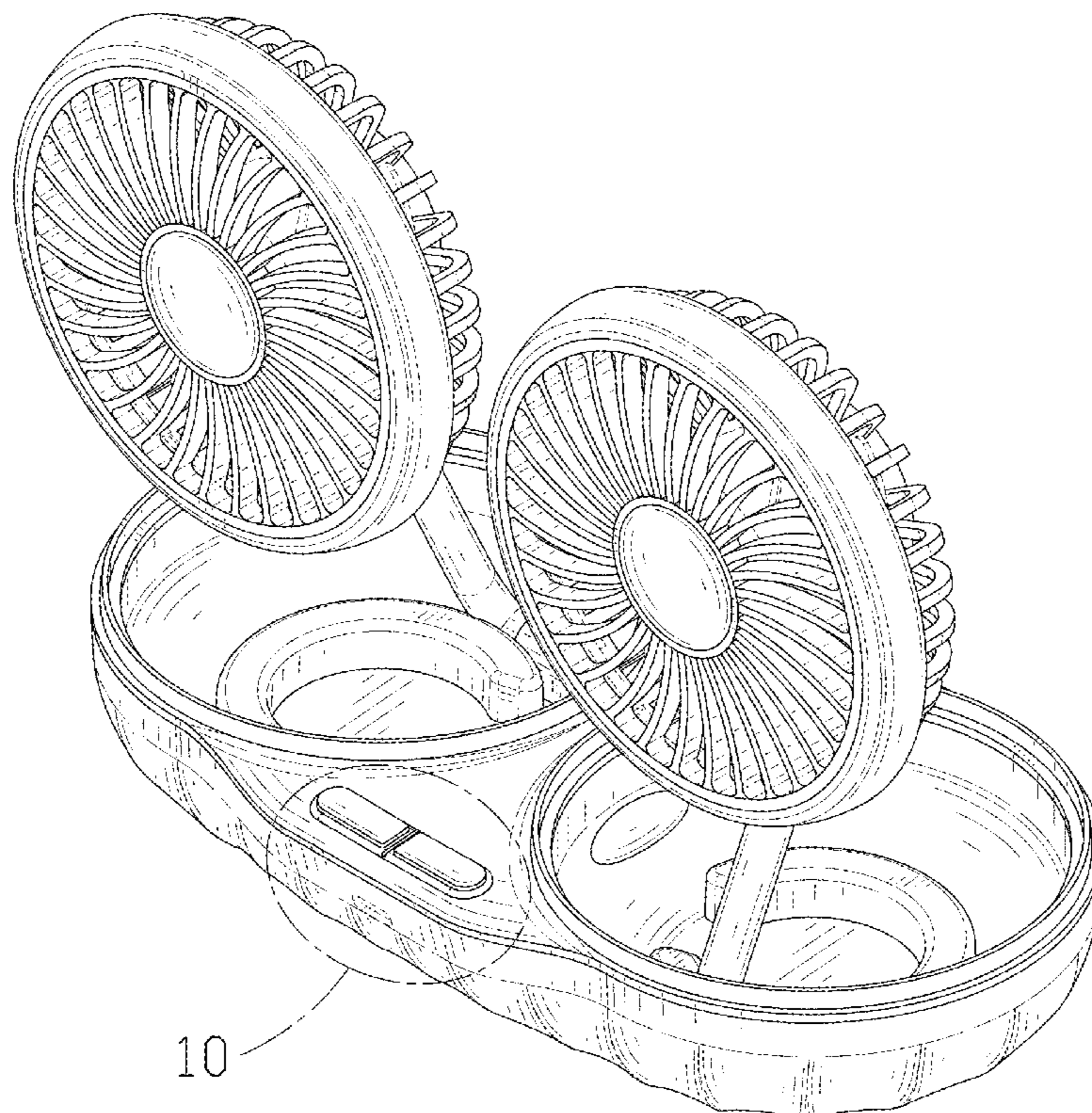
FIG. 9 is a bottom plan view thereof.

FIG. 10 is a partial enlarged view of an area labeled 10; and,

FIG. 11 is a partial enlarged view of an area labeled 11.

The dash-dash broken lines shown in the drawings are included for the purpose of illustrating portions of the car fan that form no part of the claimed design. The dot-dash broken lines surrounding the portions of the car fan in FIGS. 1, 2, 10, and 11 form no part of the claimed design.

1 Claim, 11 Drawing Sheets



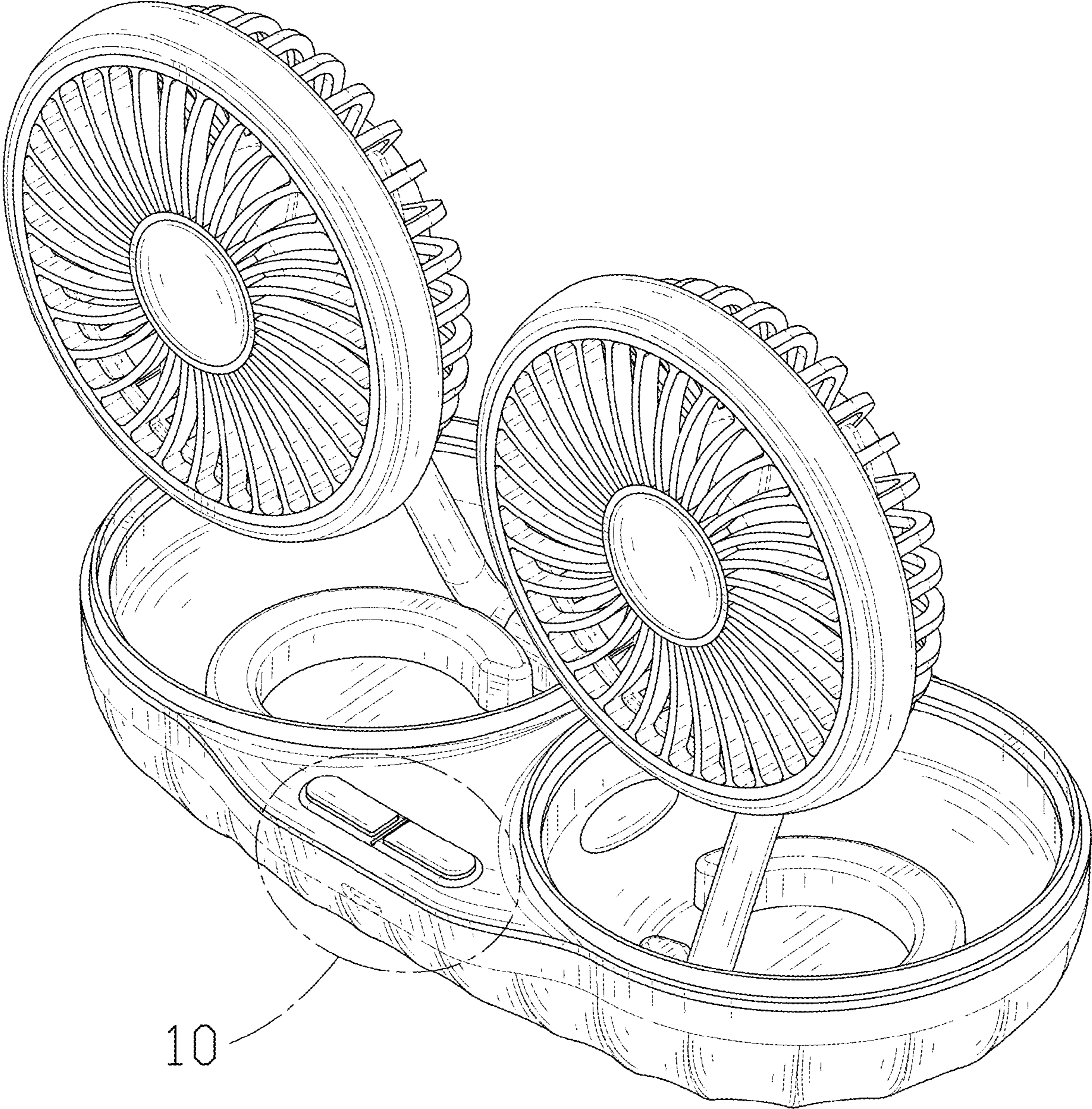


FIG. 1

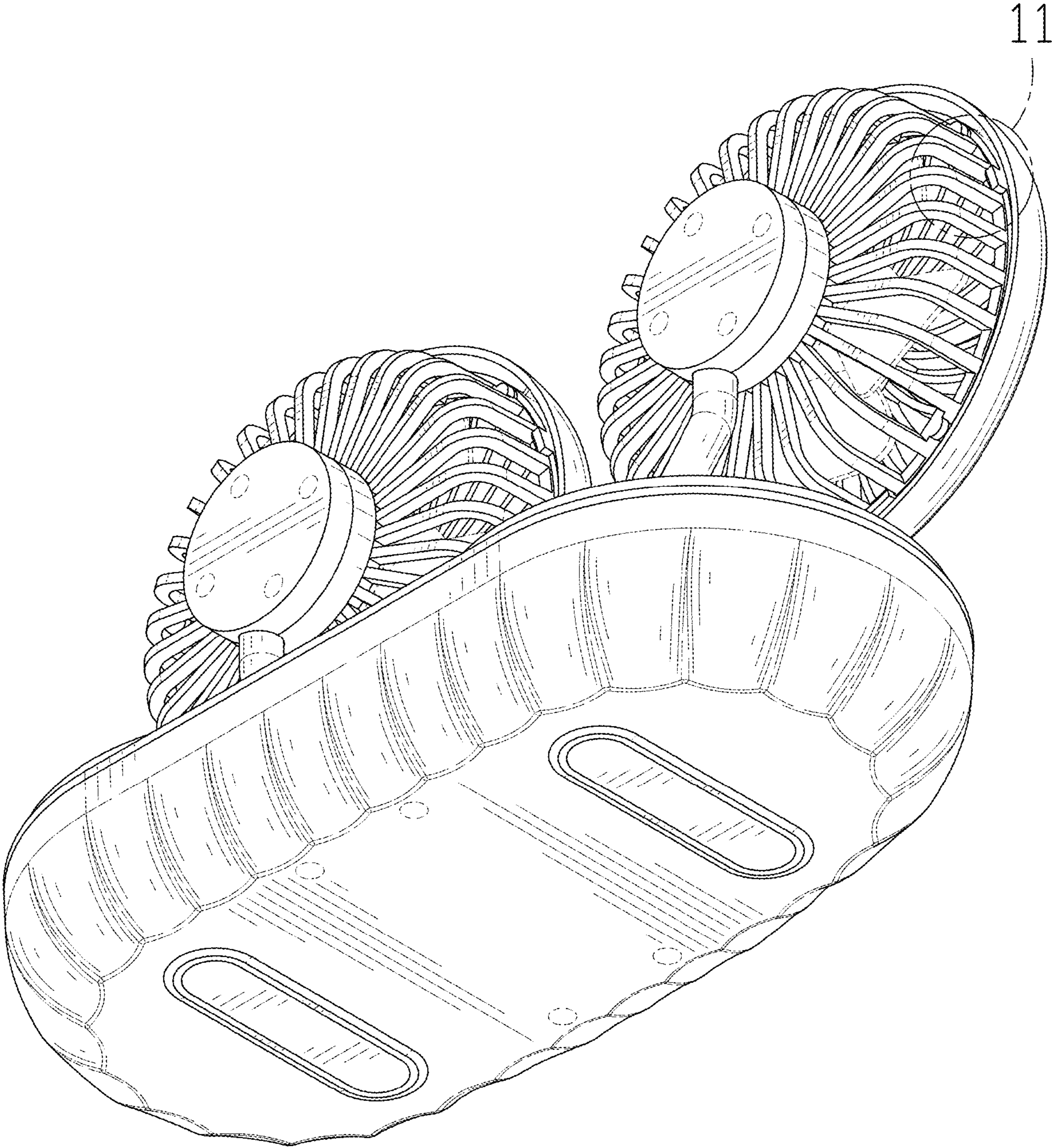


FIG. 2

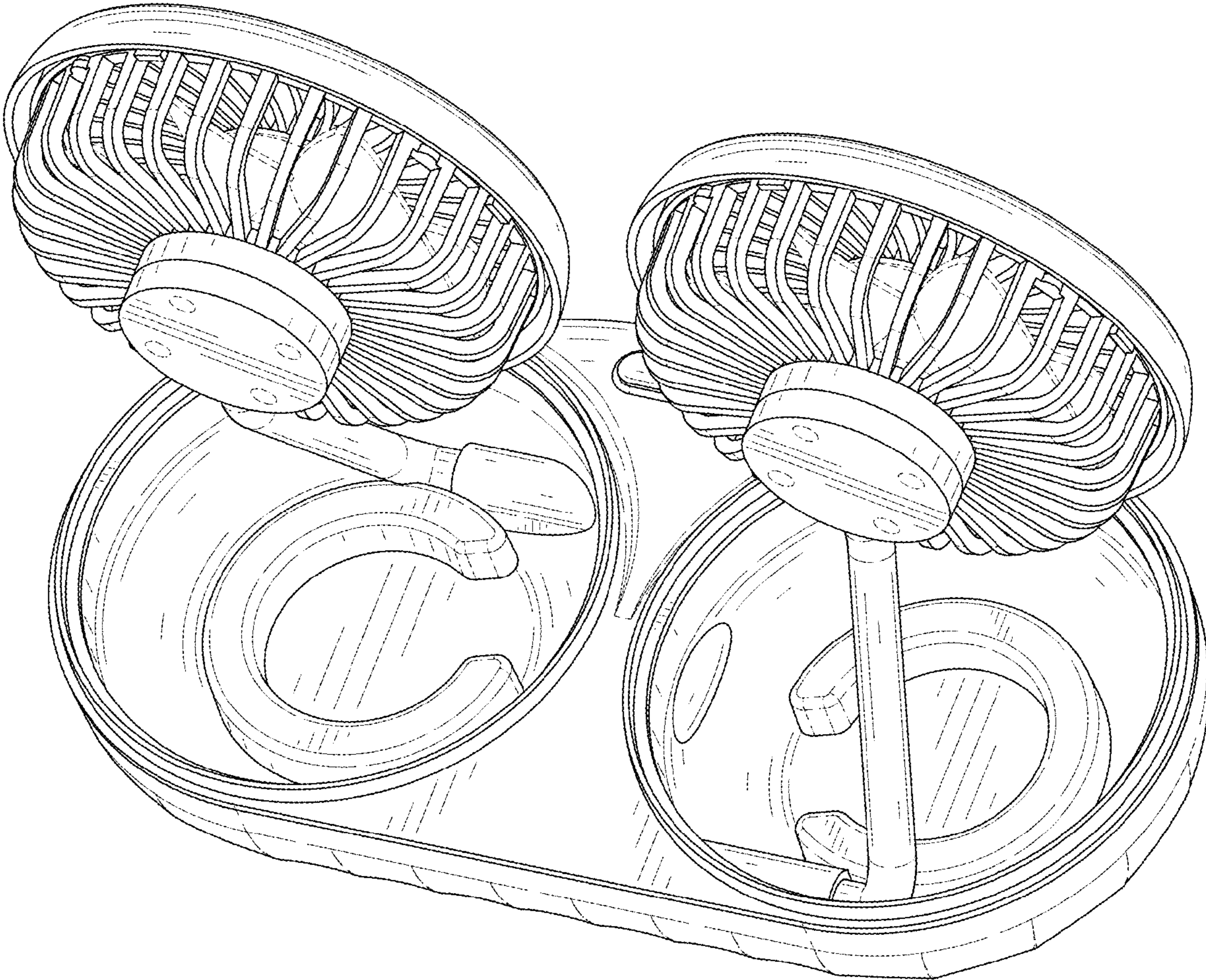


FIG. 3

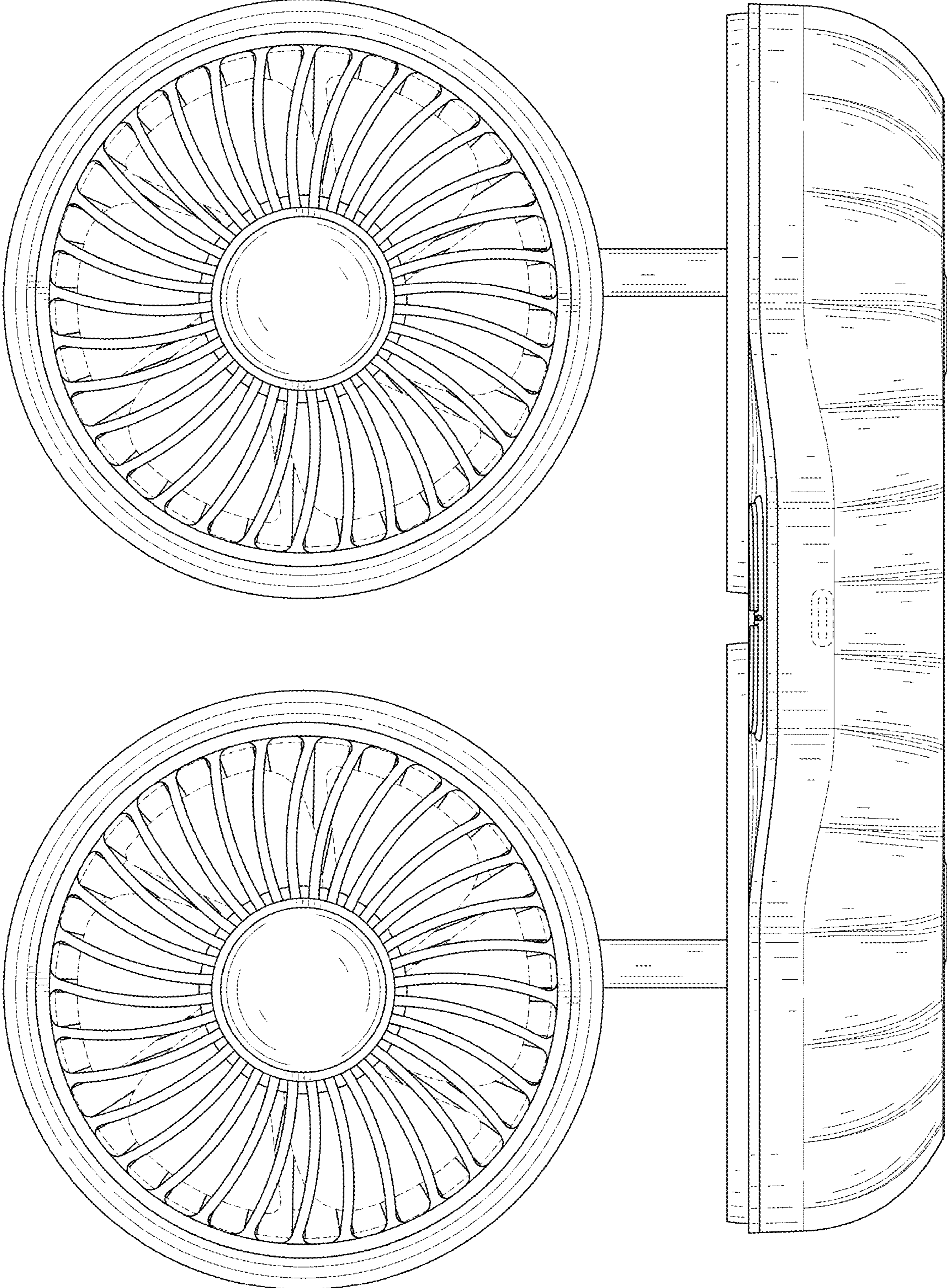


FIG. 4

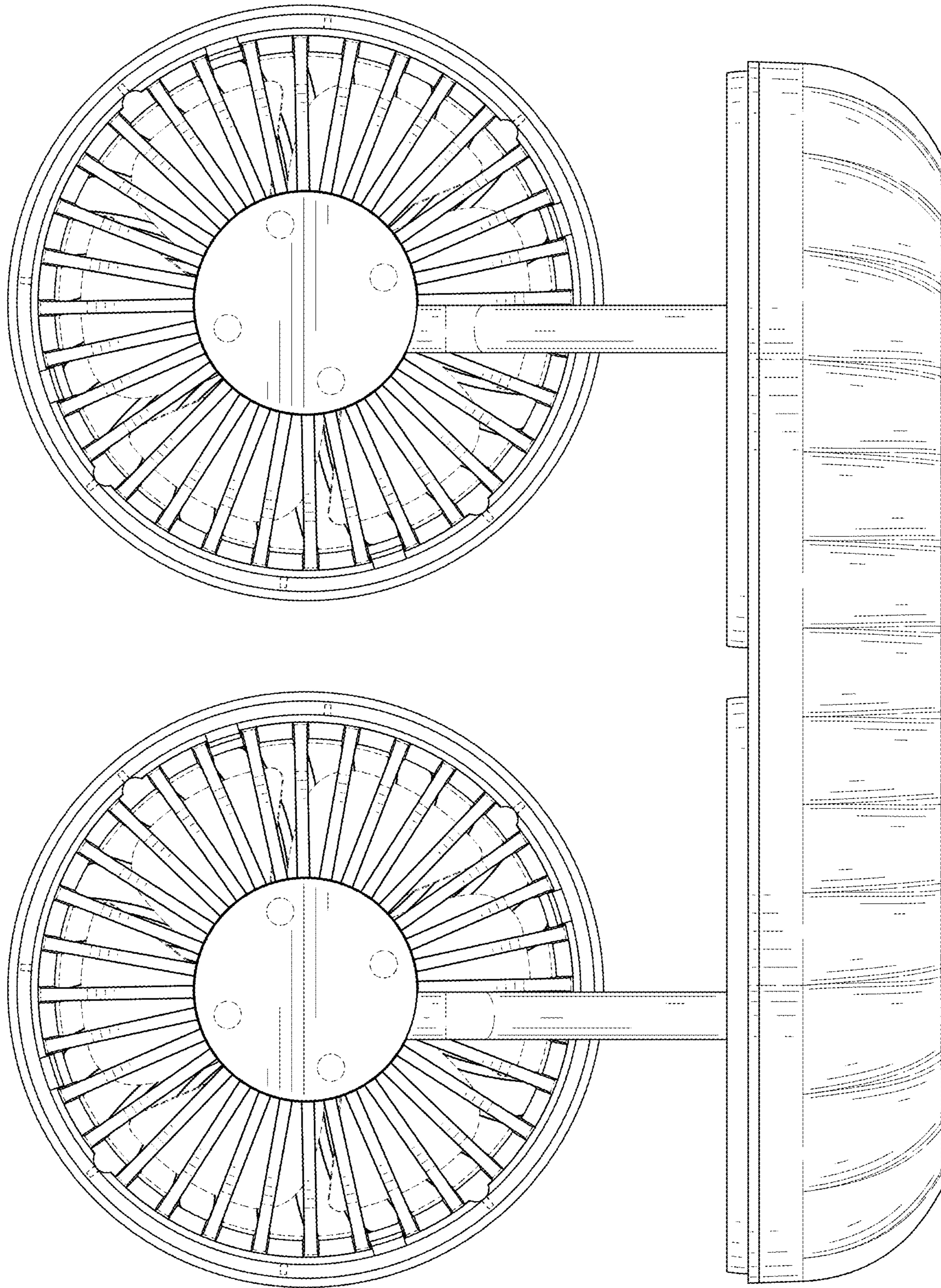


FIG. 5

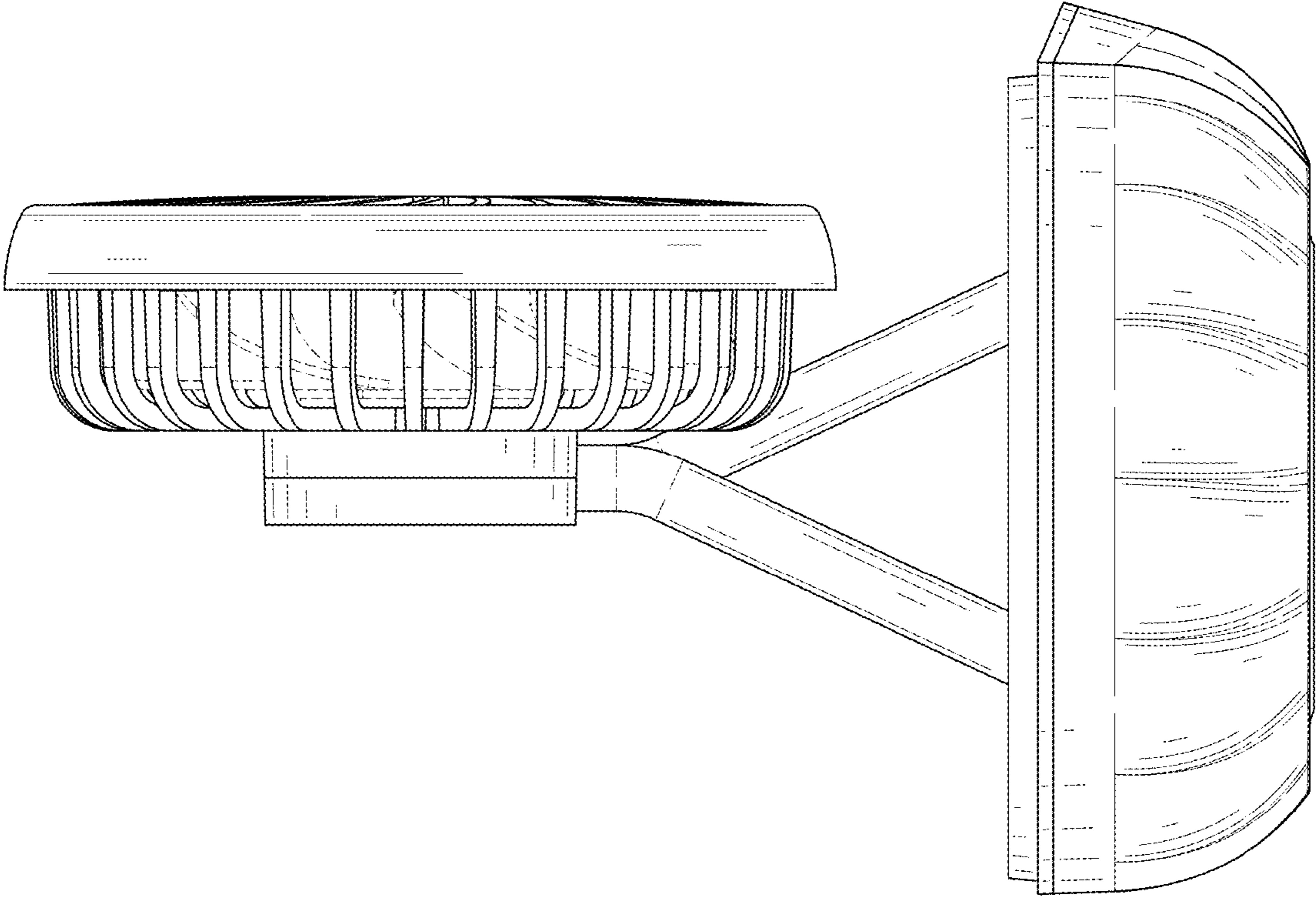


FIG. 6

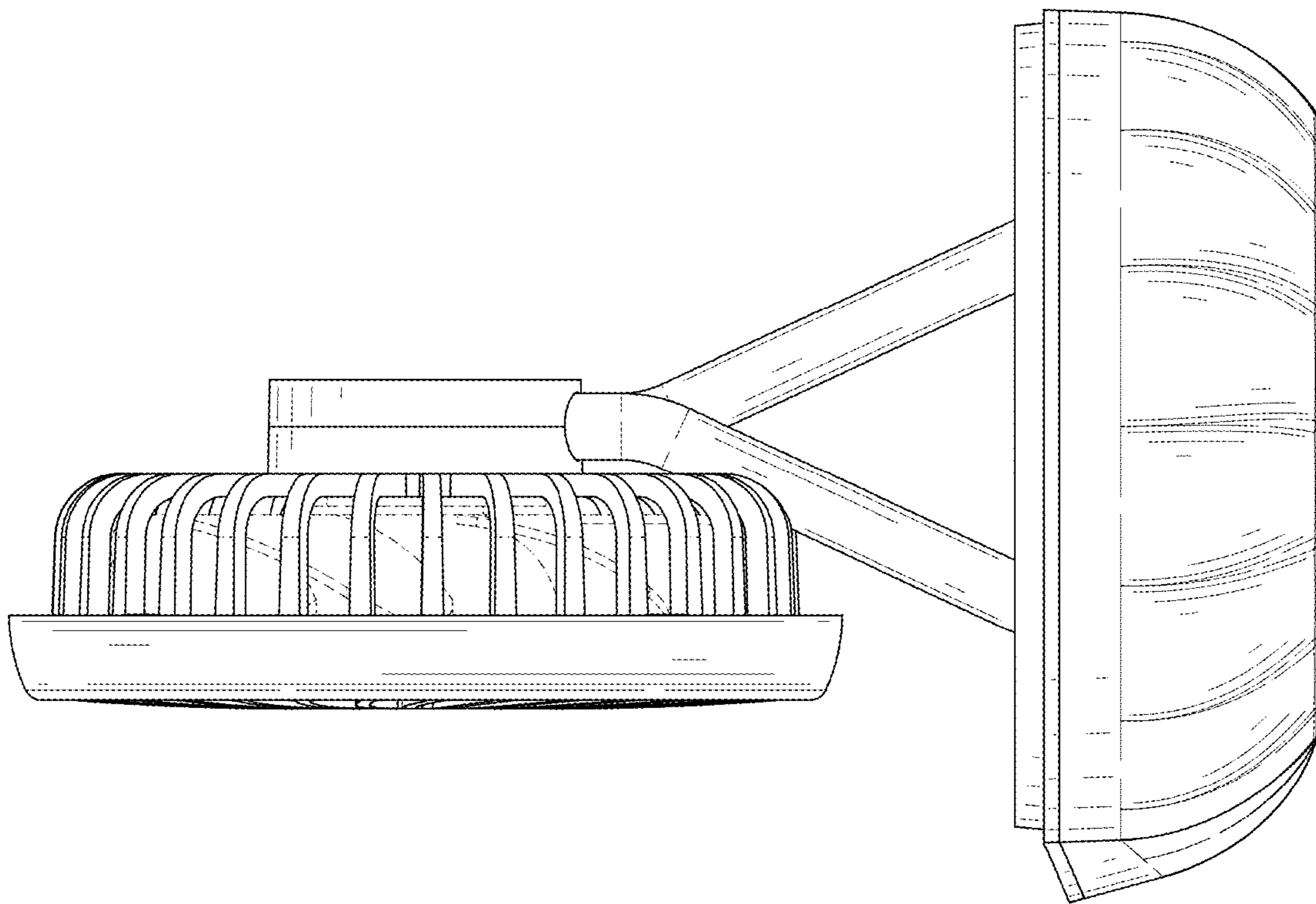


FIG. 7

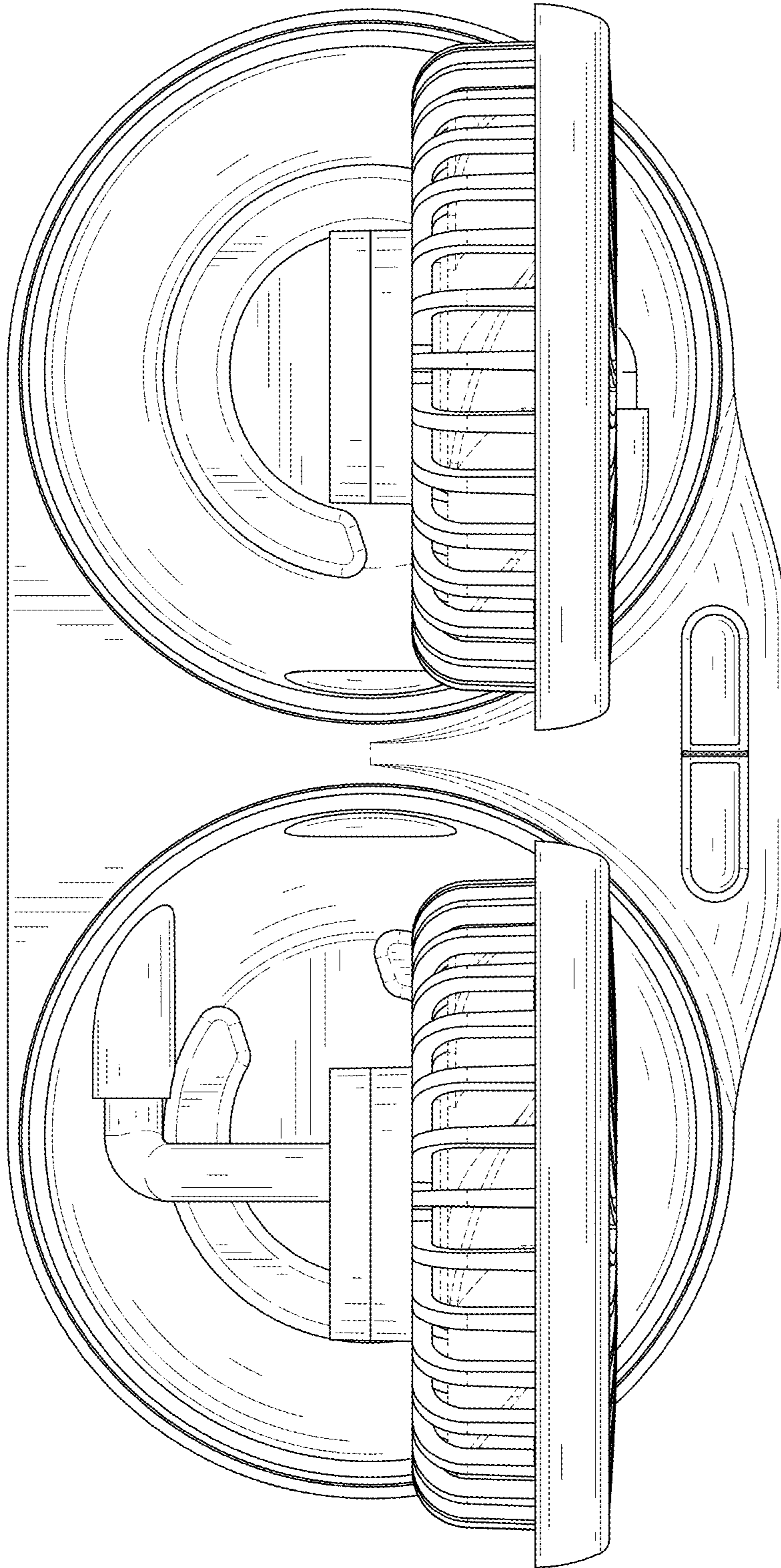


FIG. 8

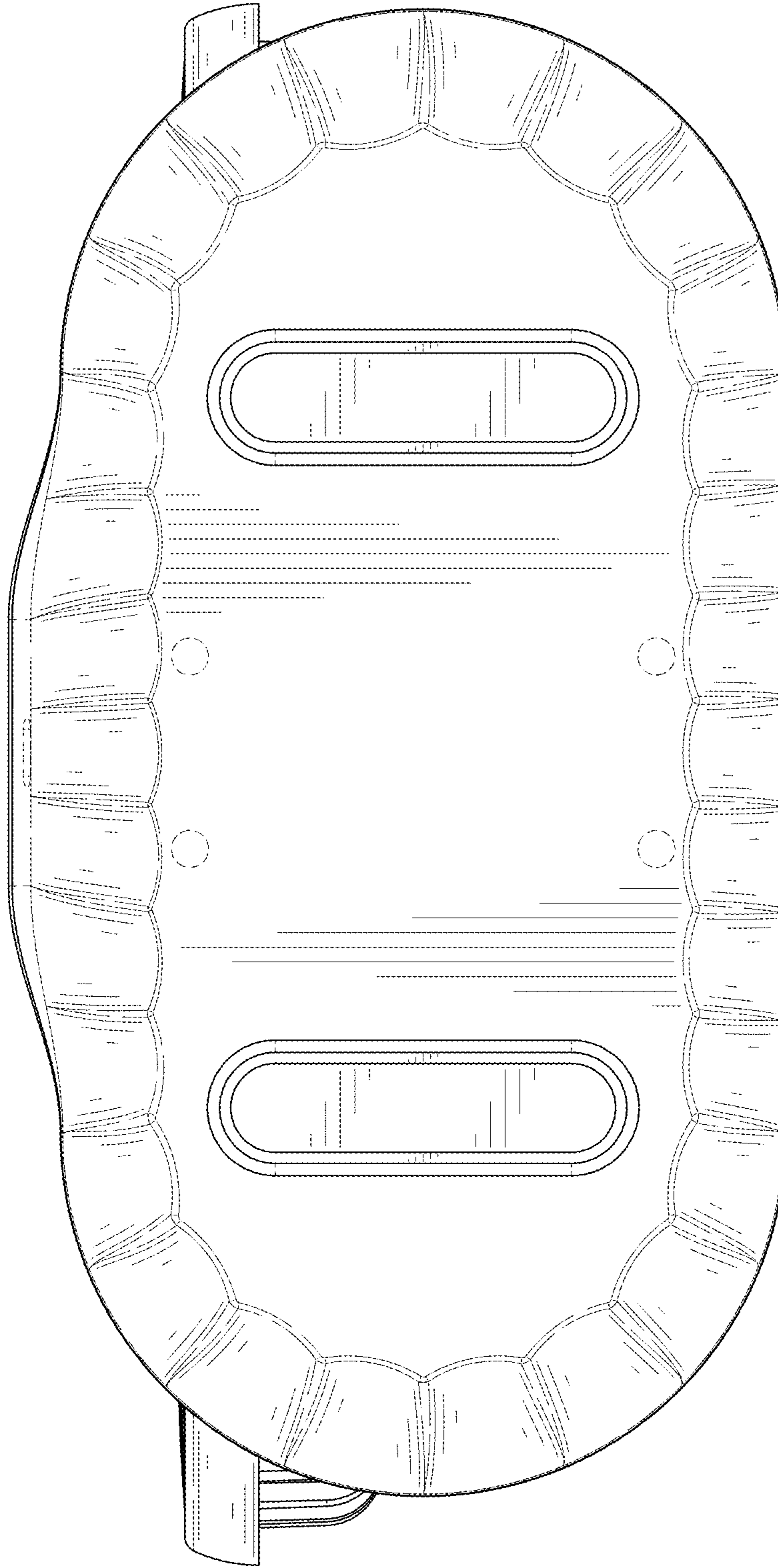


FIG. 9

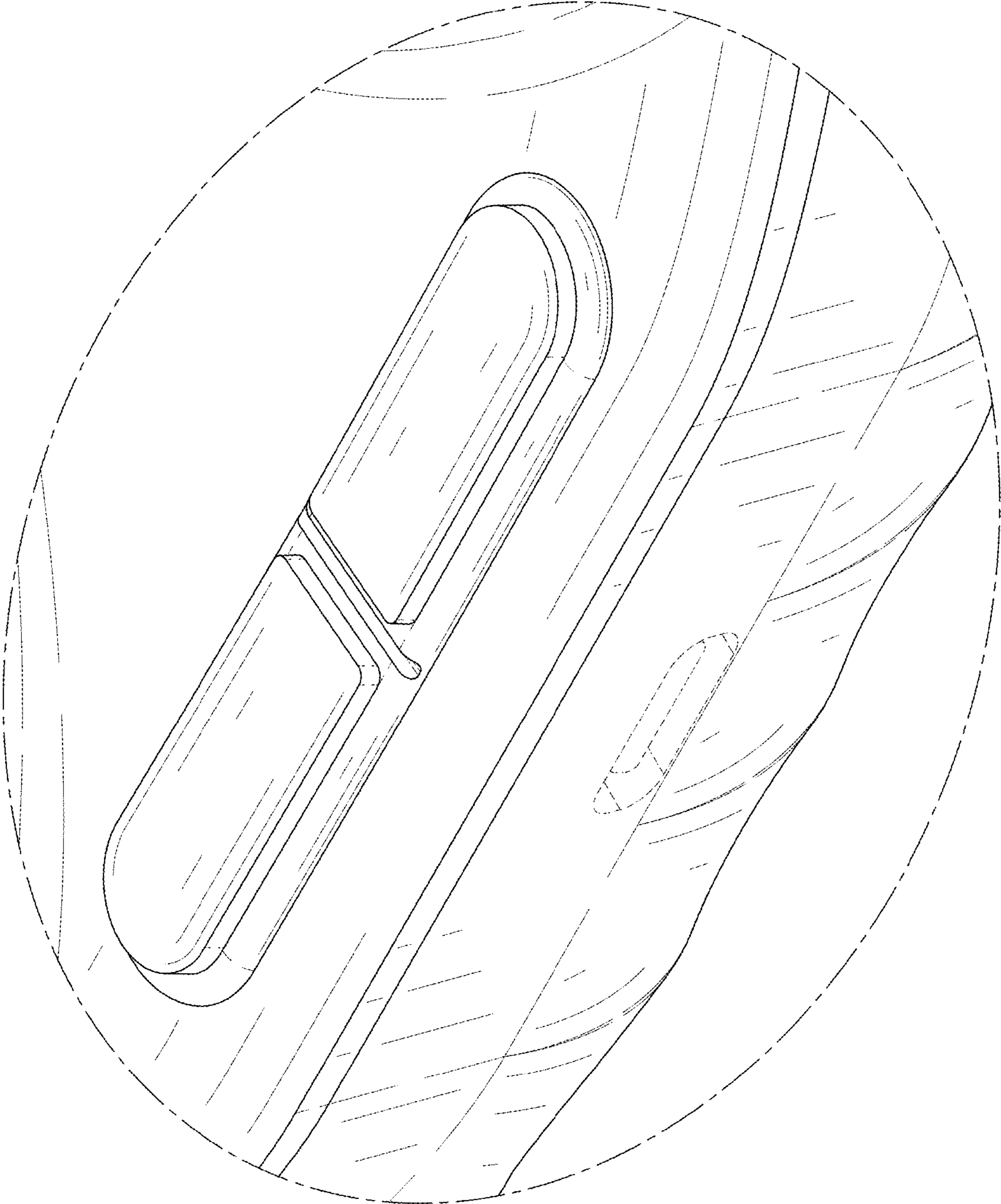


FIG. 10

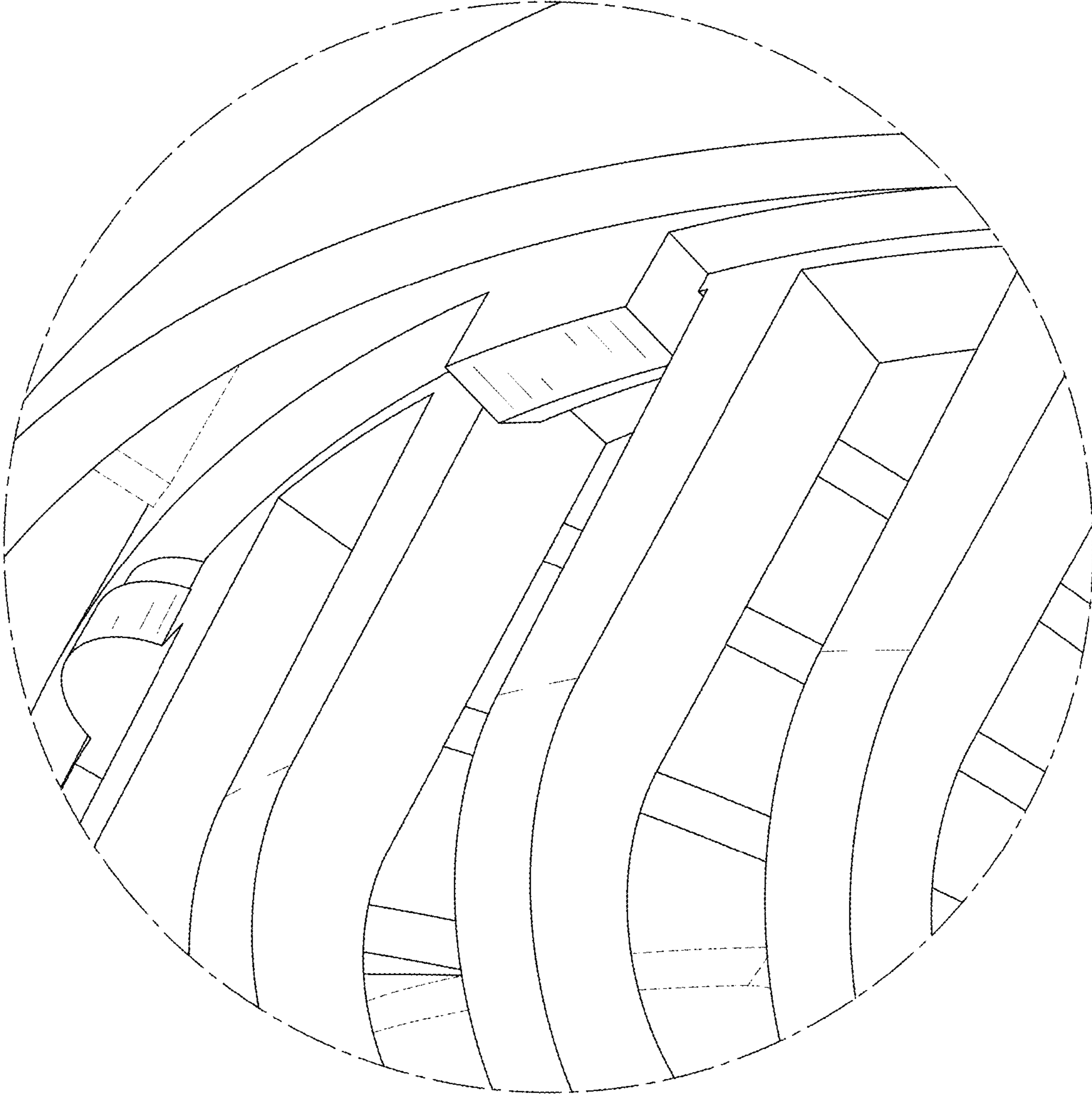


FIG. 11